



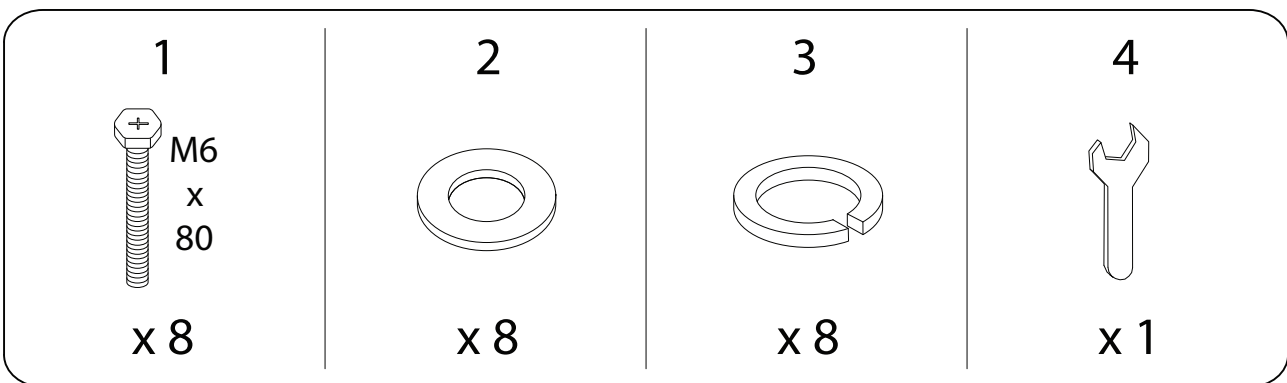
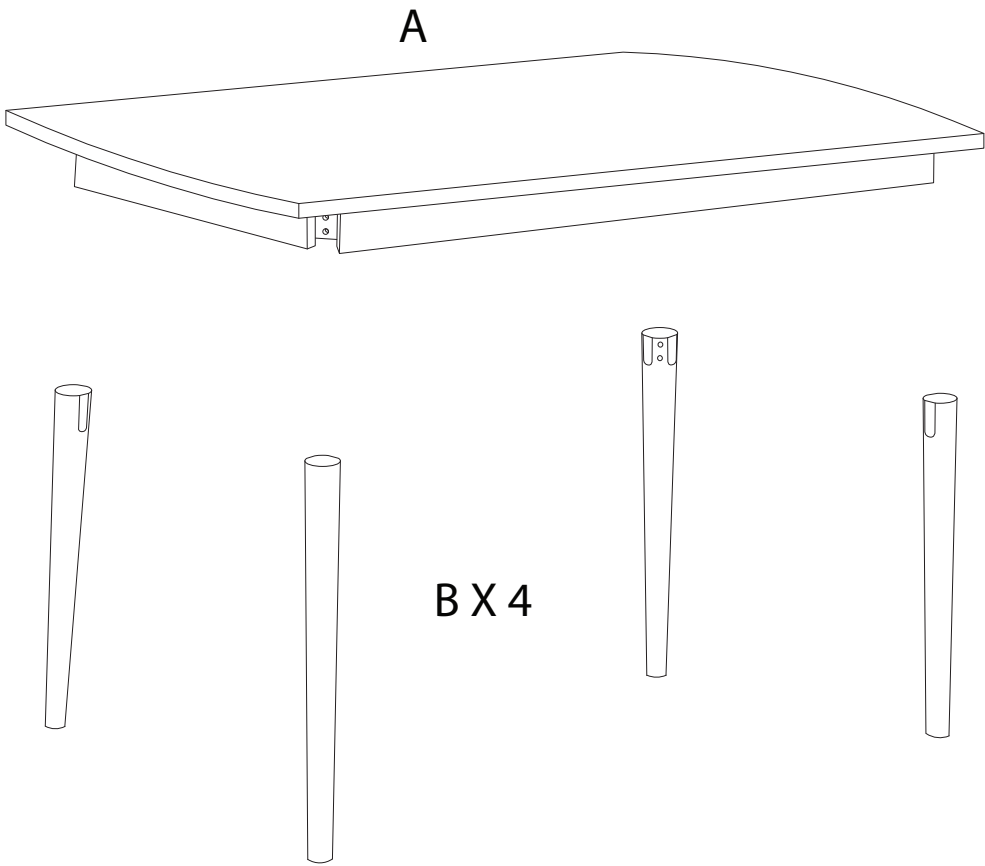
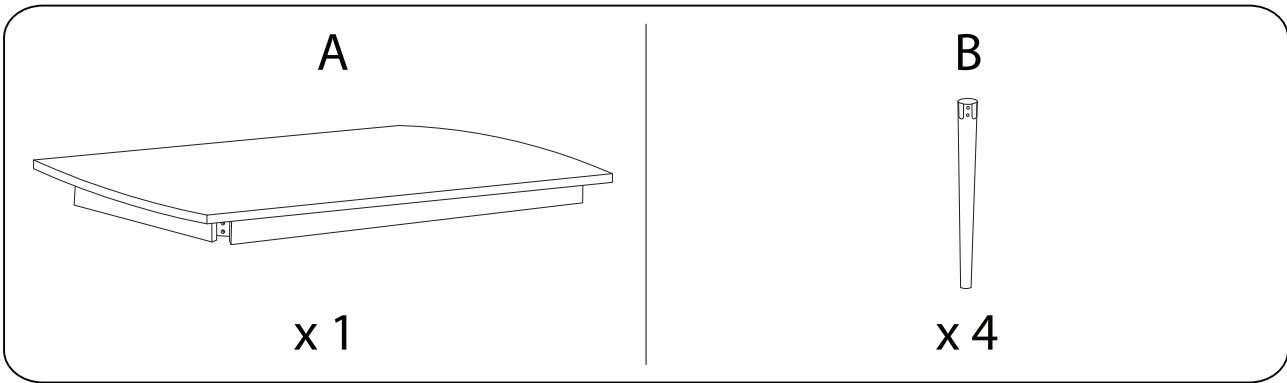
Assembly instructions for the table, including tool requirements, time, and personnel.

Tools: A wrench is required (shown in a circle). A power drill is not required (shown with a diagonal line through it).



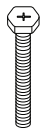
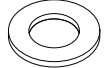
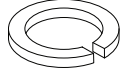

Warning: A warning triangle with an exclamation mark is shown next to the tool icons.

Time: The estimated assembly time is 30 minutes, indicated by a clock icon.

Personnel: Two people are required for assembly, indicated by a person icon and the number 2.



1

A  x 1	B  x 4	1  M6 x 80 x 8	2  x 8	3  x 8	4  x 1
--	--	---	---	--	--

