

ASSEMBLY INSTRUCTIONS



TOOLS REQUIRED:

Allen Wrench (Provided, Part F)

ScrewDriver (Not Provided)

BEFORE YOU START:

1. Check the parts against the parts list to make sure all items are present.
2. Assemble your furniture on a soft, flat surface to avoid scratching the finish.
3. **CAUTION:** Do not over tighten screws, nuts or bolts during assembly.
4. Your furniture may require occasional tightening.

INSTRUCTIONS:

1. Turn the table top upside down on to a clean soft surface. Attach two stretchers together with Screw (G) by the ScrewDriver (not Provided) as shown in Figure 1.
2. Attach legs to the table top with Bolt (B), Lock Washer (E), Flat Washer (C) by Allen Wrench (F) as shown in Figure 2.
3. Attach the stretchers to the legs with Wood Dowel (A), Bolt (B), Lock Washer (E), Flat Washer (D) by Allen Wrench (F) as shown in Figure 3.
4. Attach the remaining leg to the assembly with Wood Dowel (A), Bolt (B), Lock Washer (E), Flat Washer (C) and Flat Washer (D) by Allen Wrench (F) as shown in Figure 4.

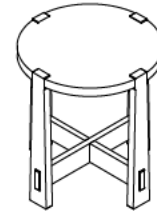


Figure 1

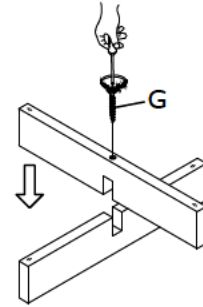


Figure 2

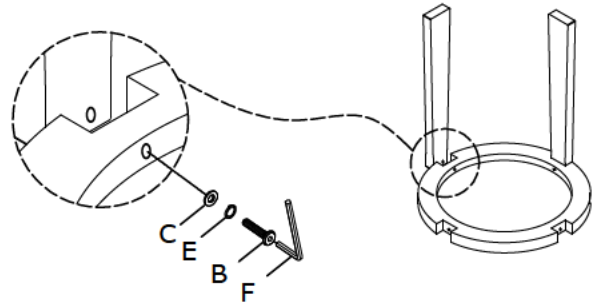


Figure 3

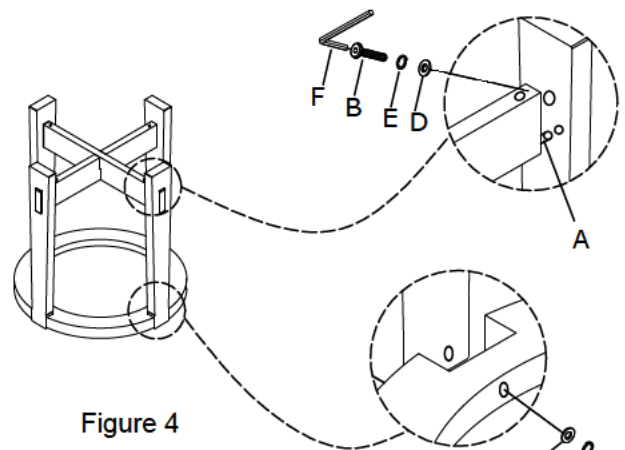
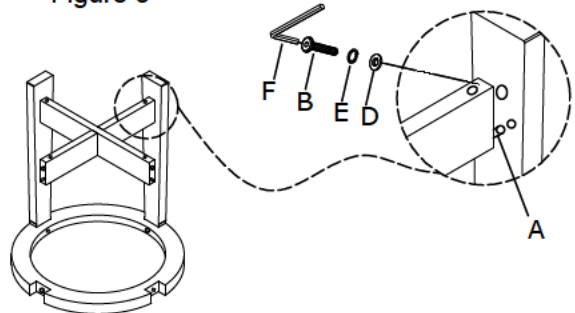


Figure 4

HARDWARE LIST

NO.	Drawing	Description	Q'TY
A		Wood Dowel Ø10*30mm	4 pcs
B		Bolt Ø1/4"*2"	8 pcs
C		Flat Washer Ø1/4"*19*1.5MM	4 pcs
D		Flat Washer Ø1/4"*13*1.5MM	4 pcs
E		Lock Washer Ø1/4"	8 pcs
F		Allen Wrench 110*60*4MM	1 pc
G		Screw #4*50mm	1 pc