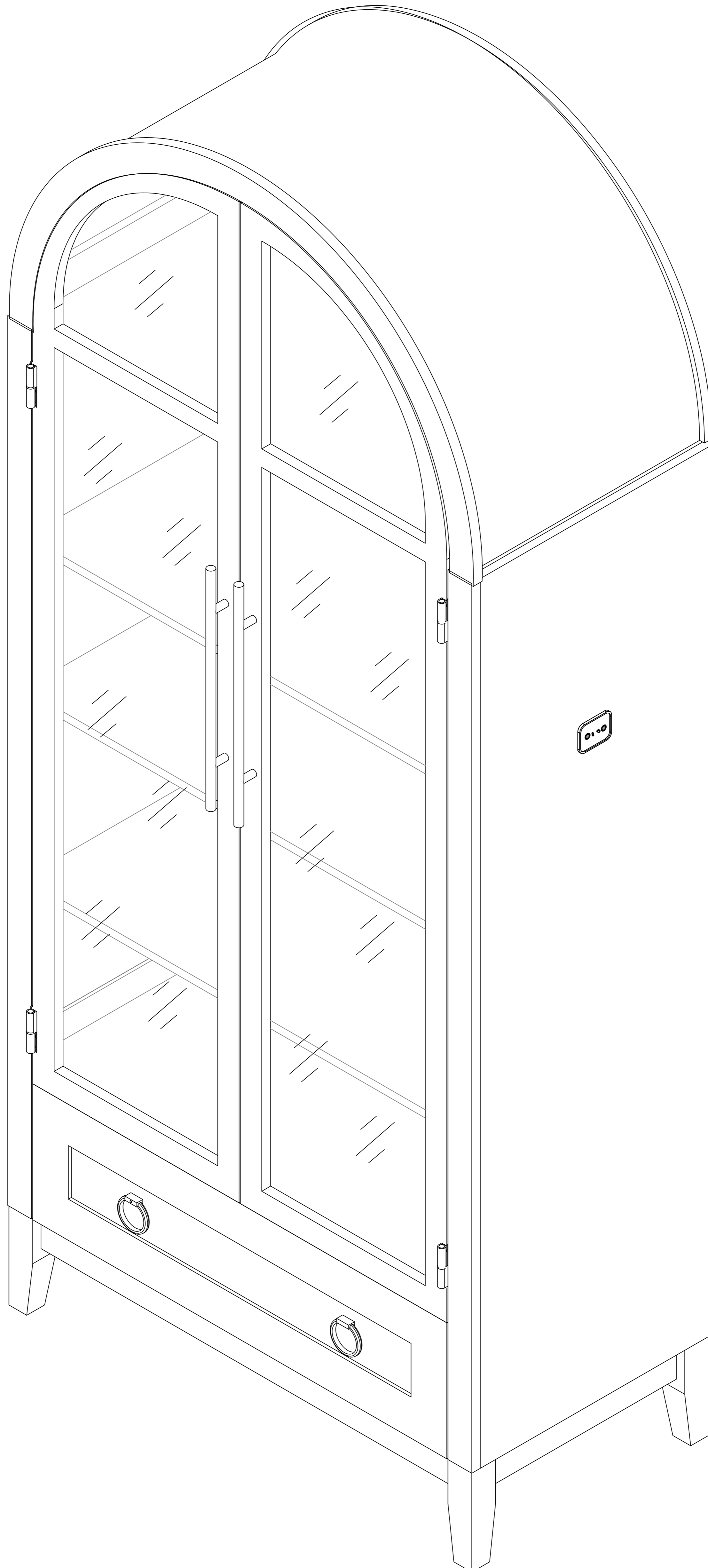
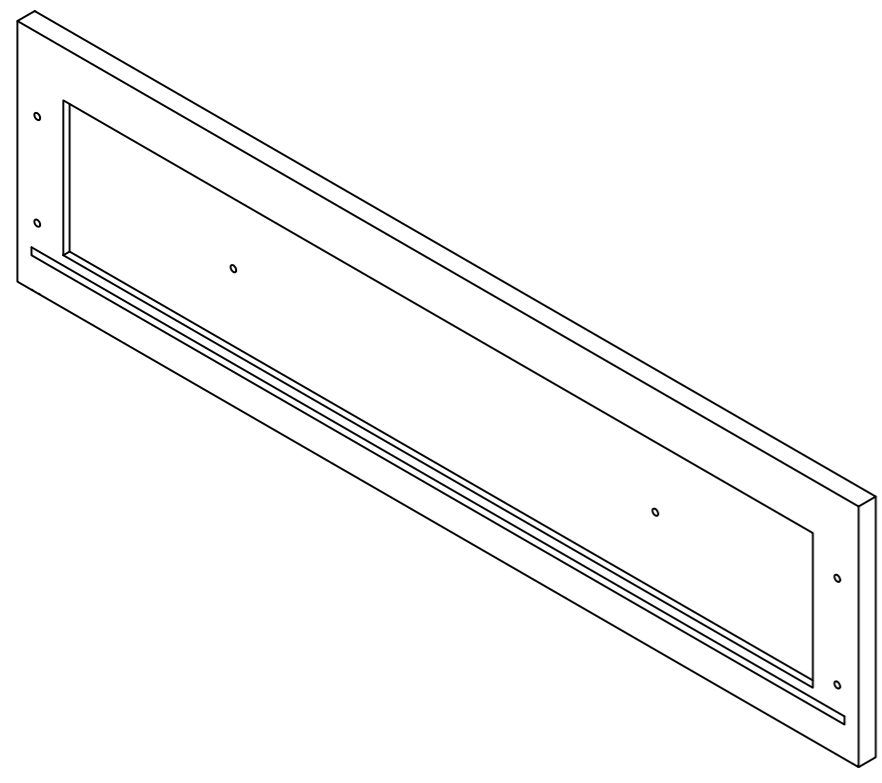
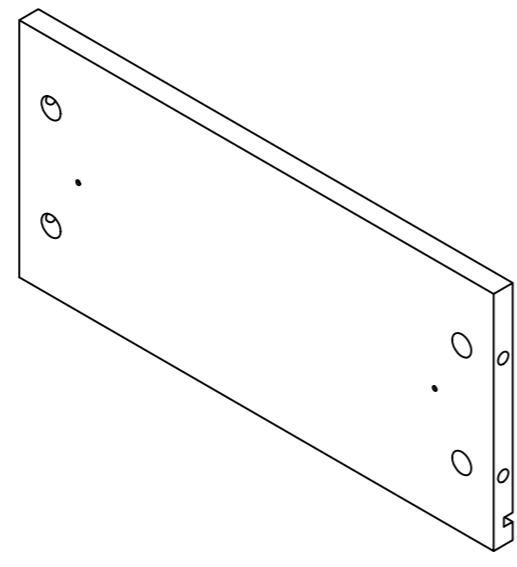


Product Installation Instructions

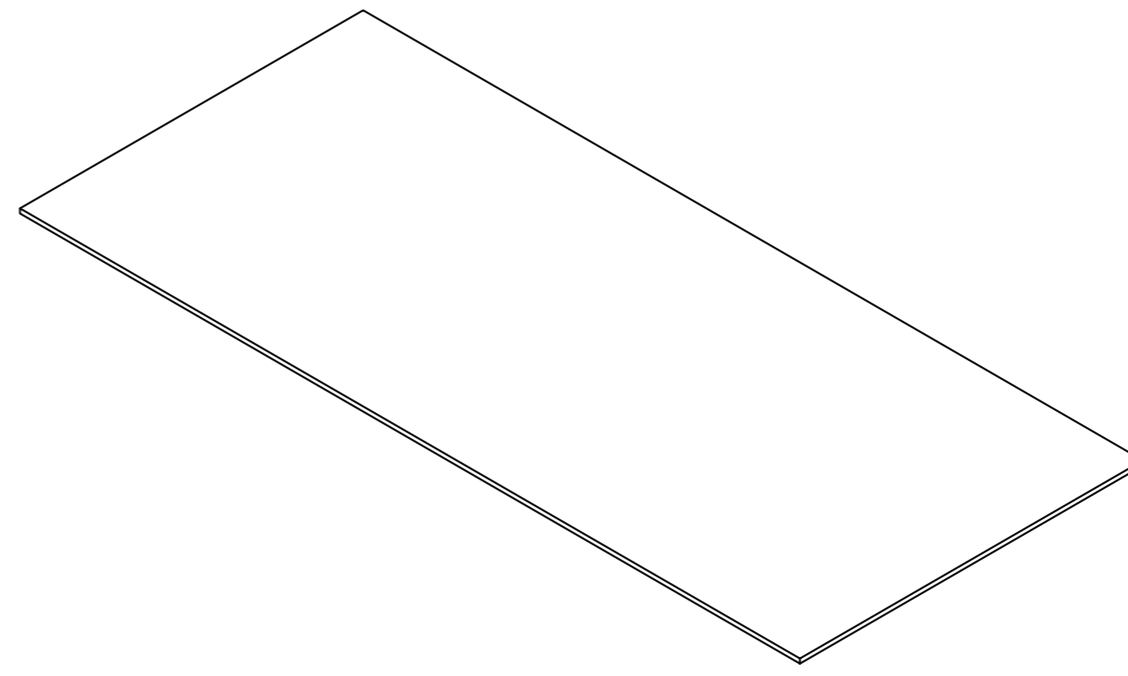




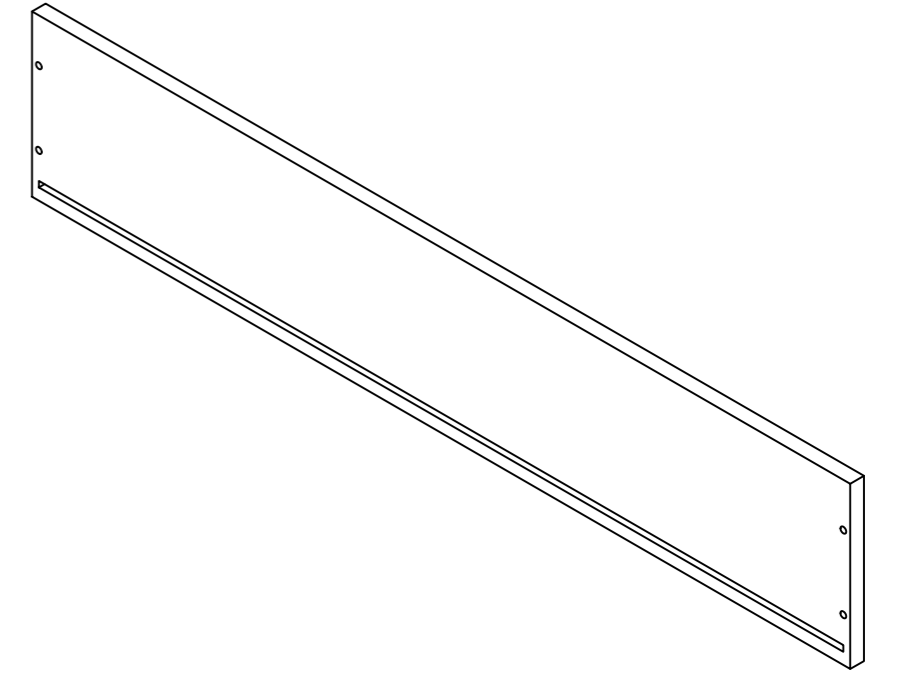
A x1



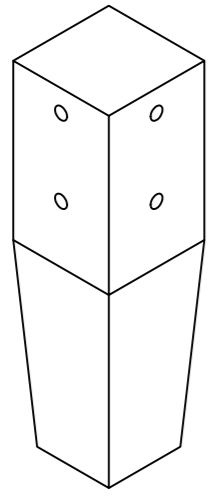
B x2



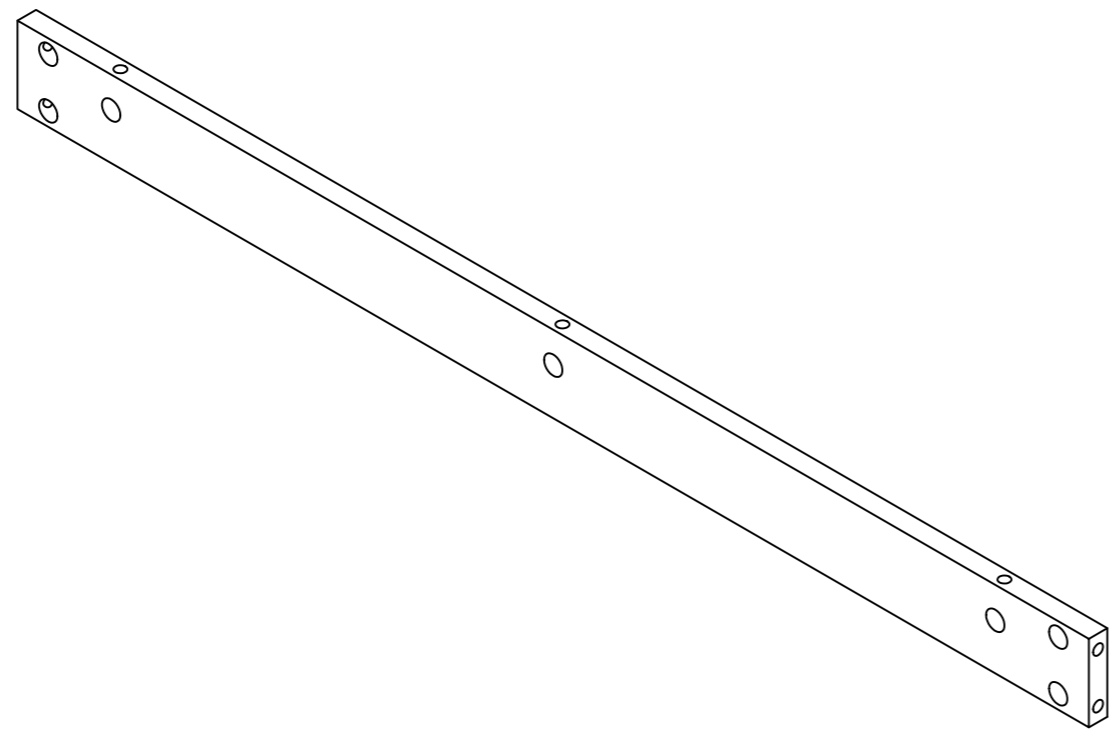
C x1



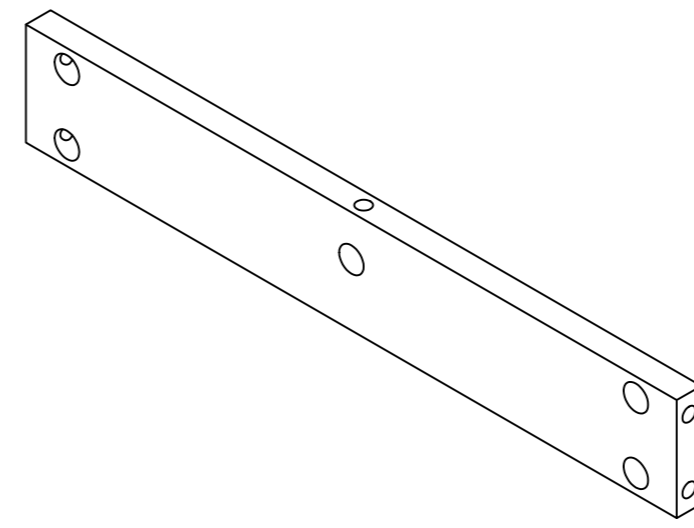
D x1



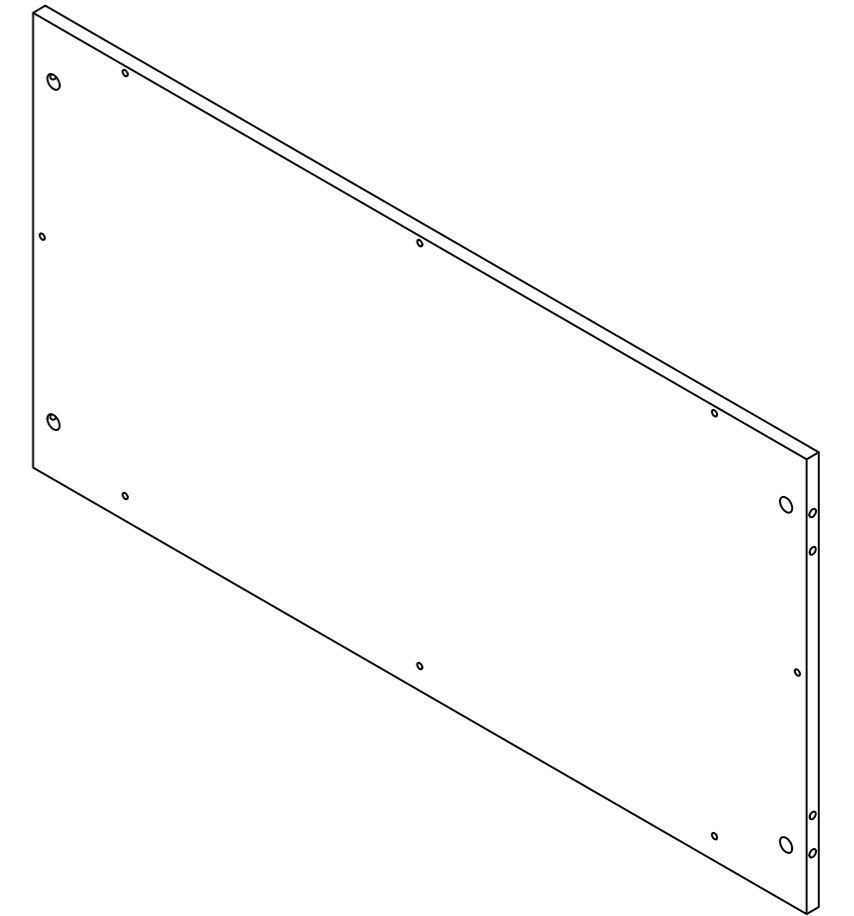
E x4



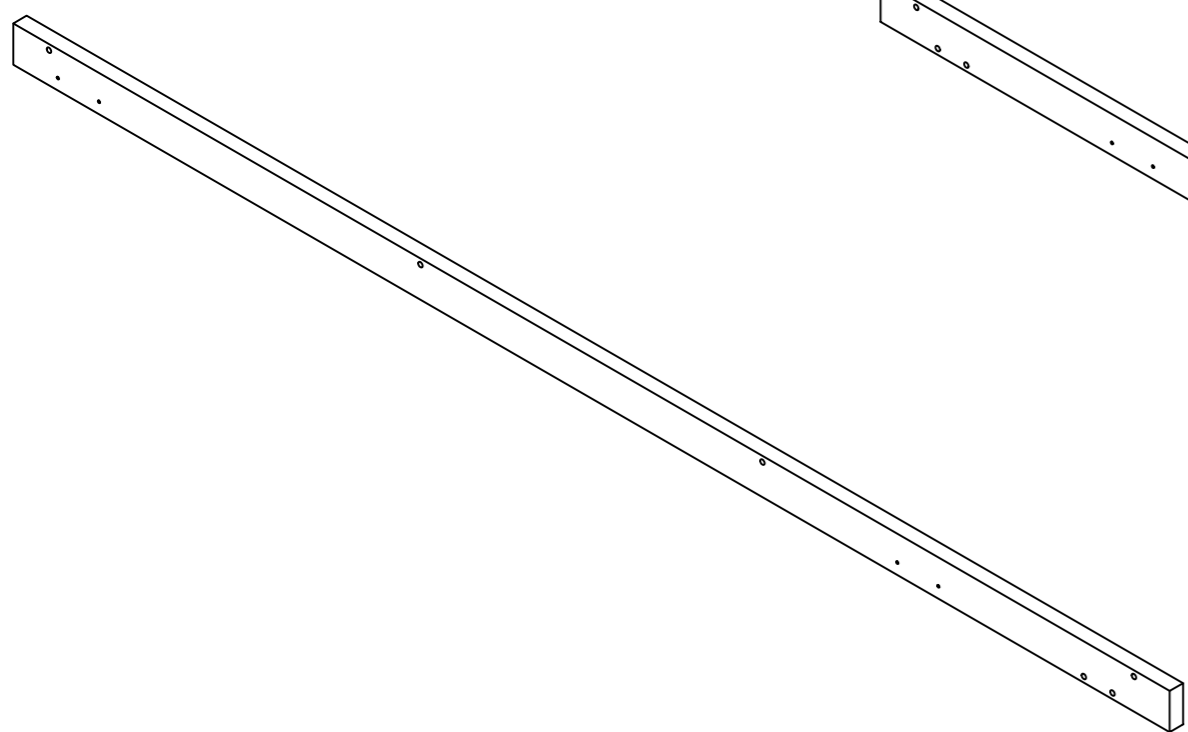
F x2



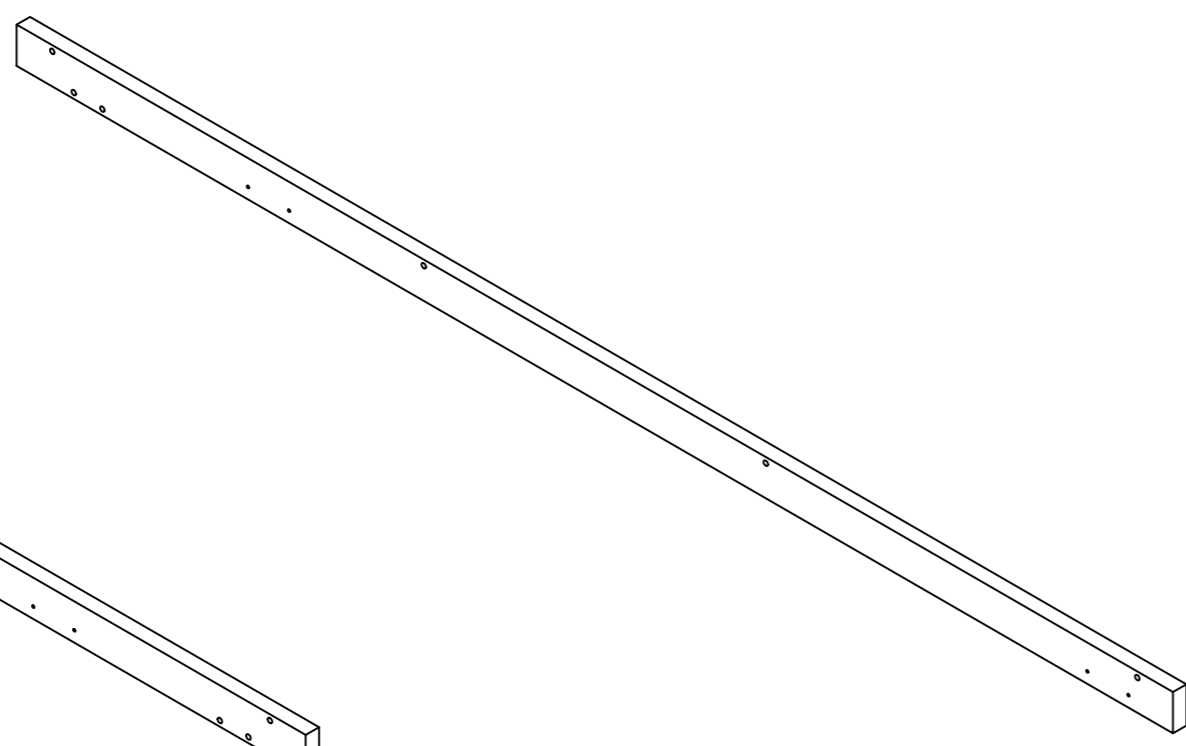
G x2



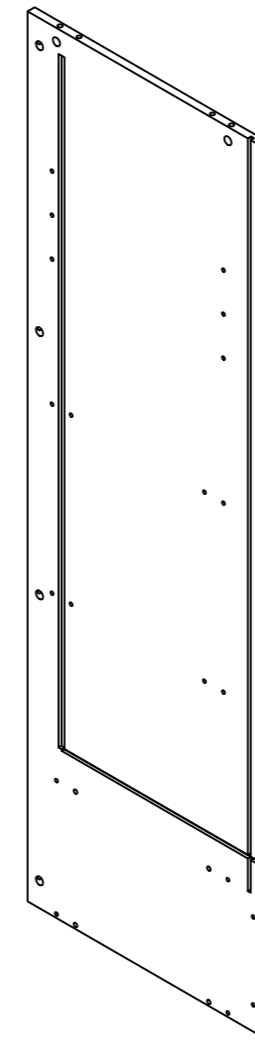
H x1



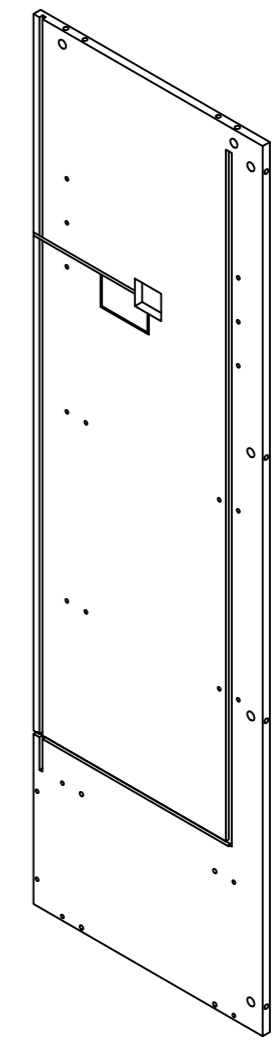
I x1



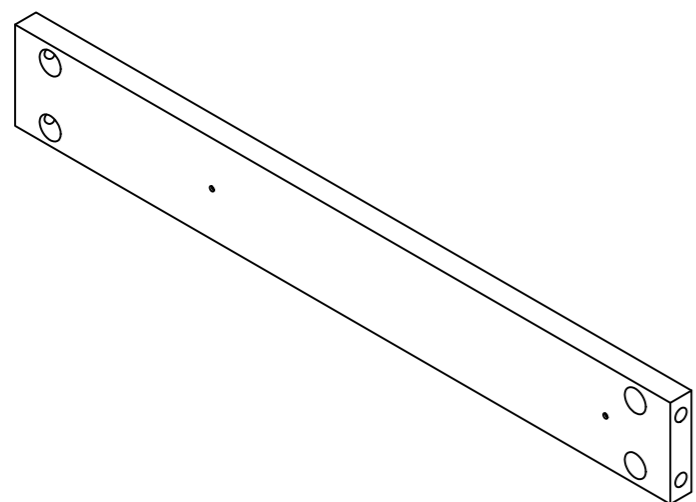
J x1



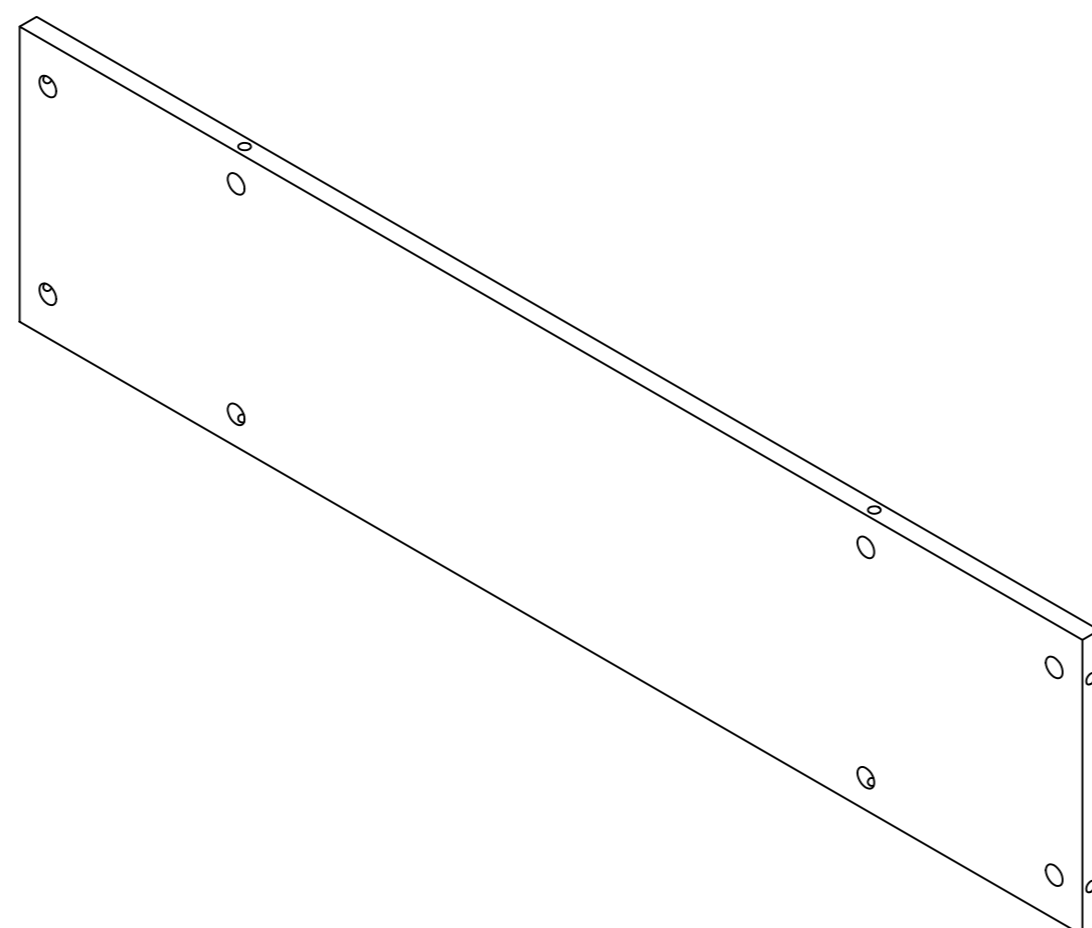
K x1



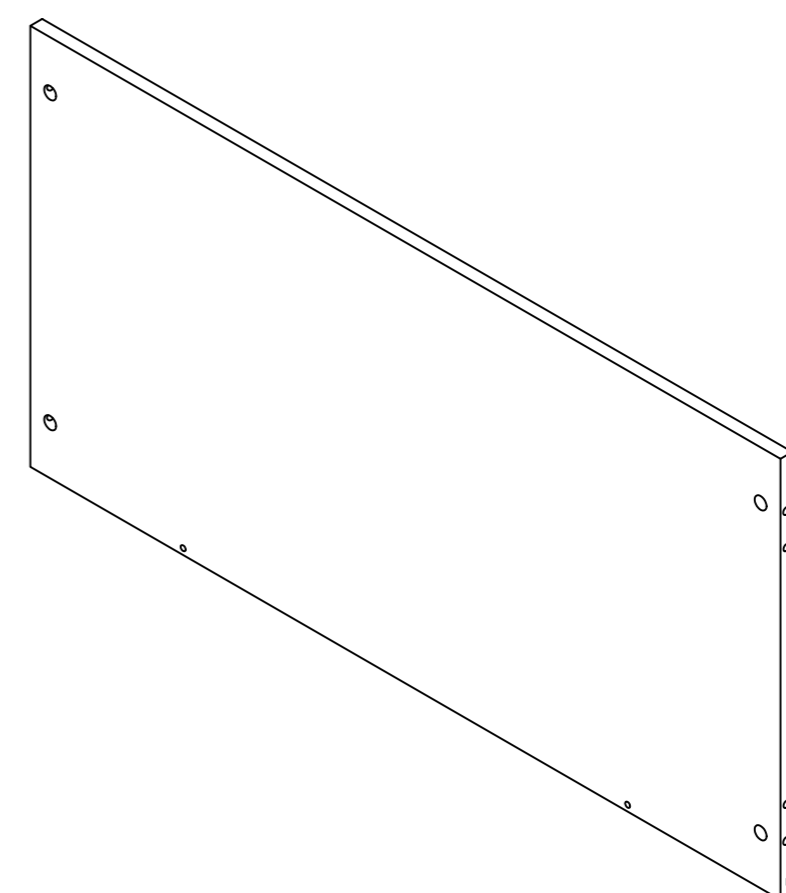
L x1



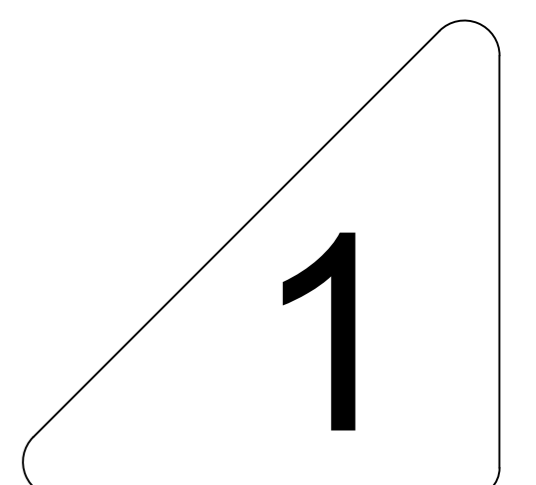
M x2



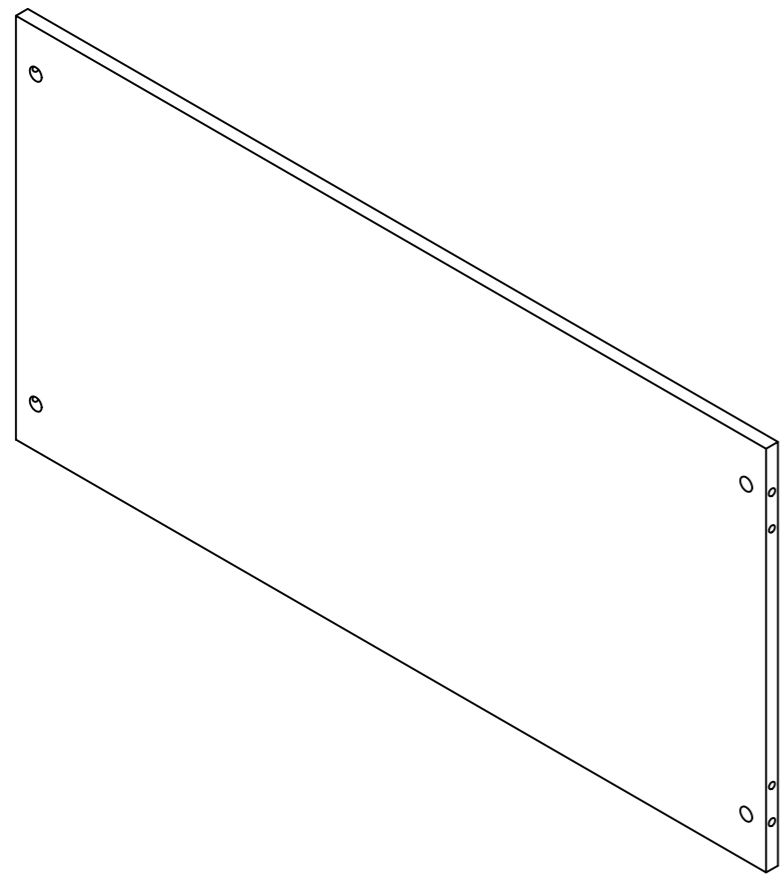
N x1



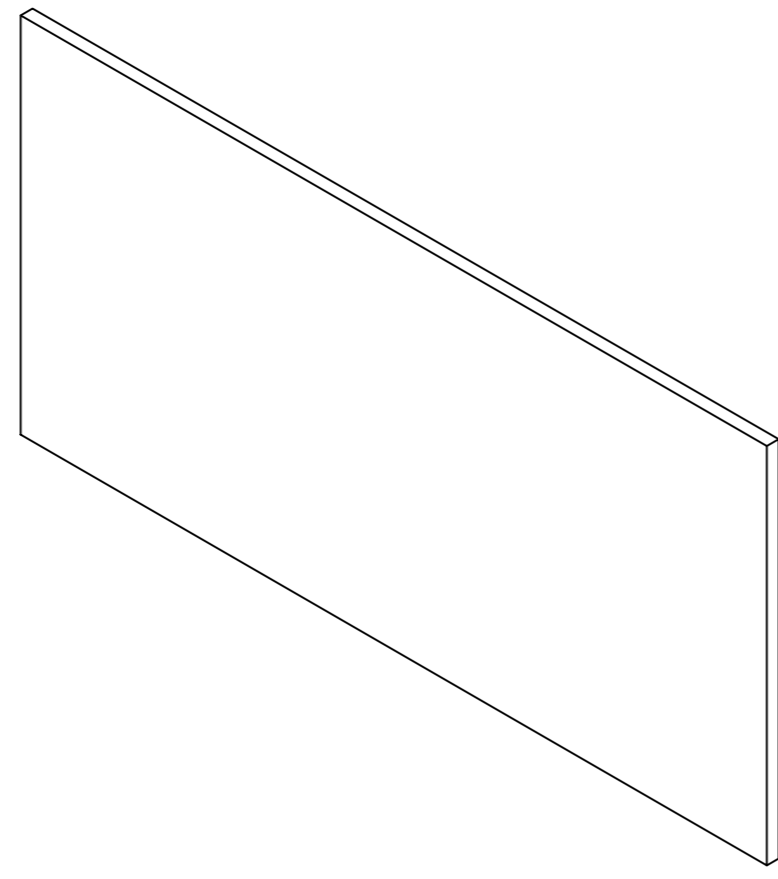
O x1



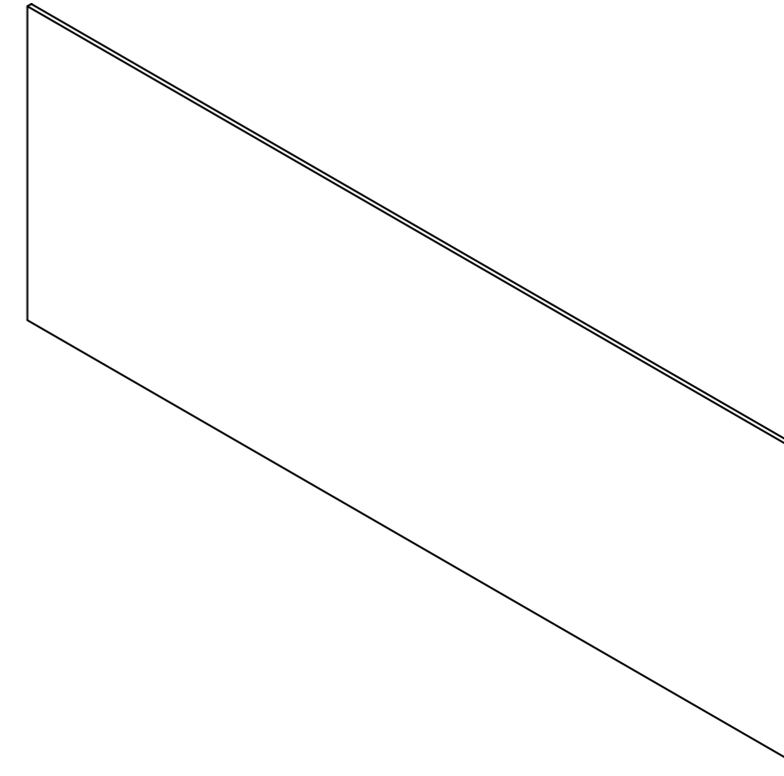
1



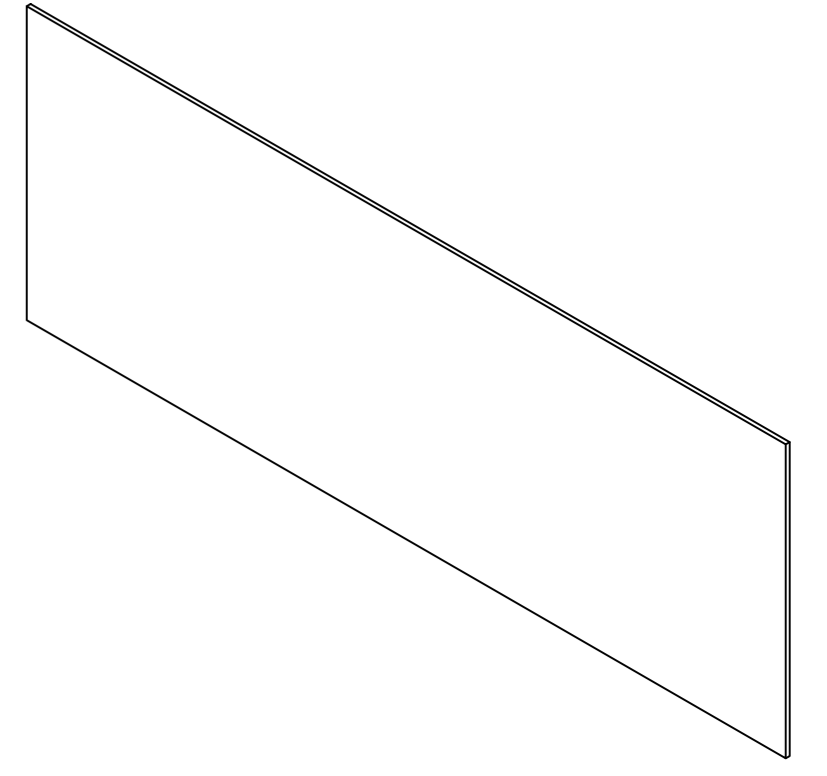
P x2



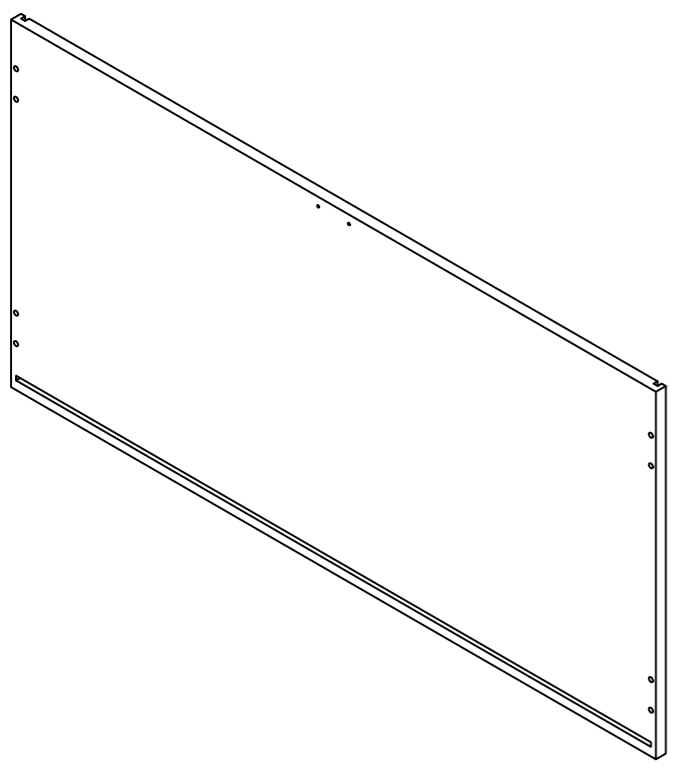
Q x1



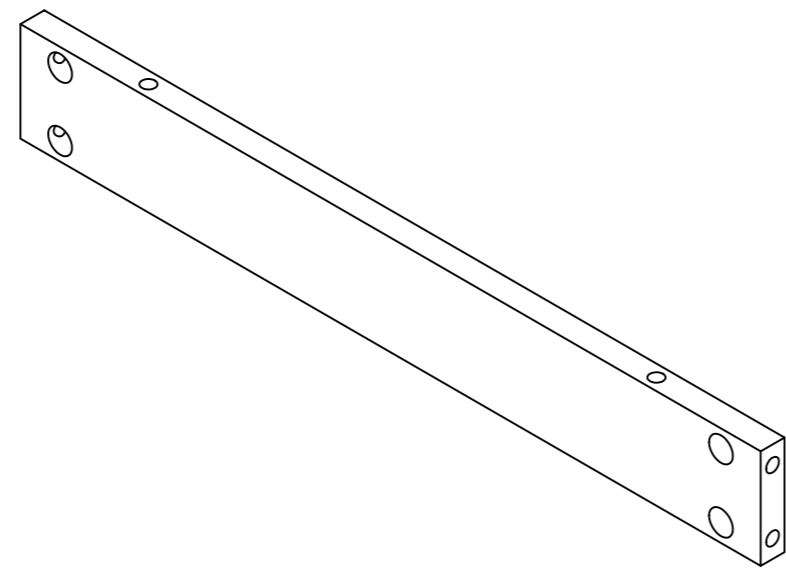
R₁ x1



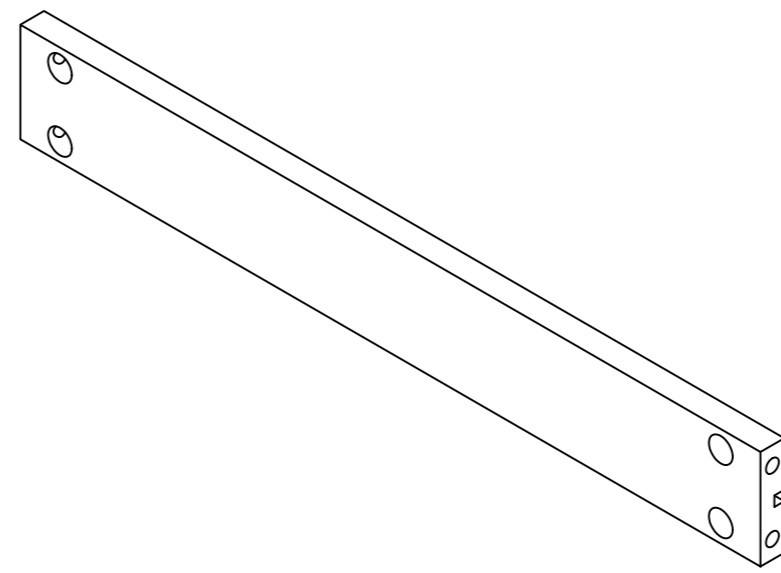
R₂ x3



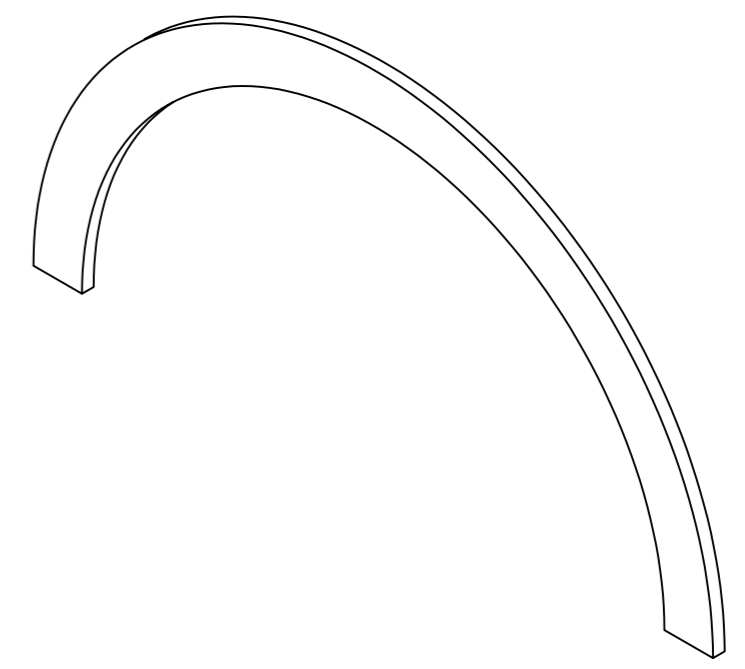
S x1



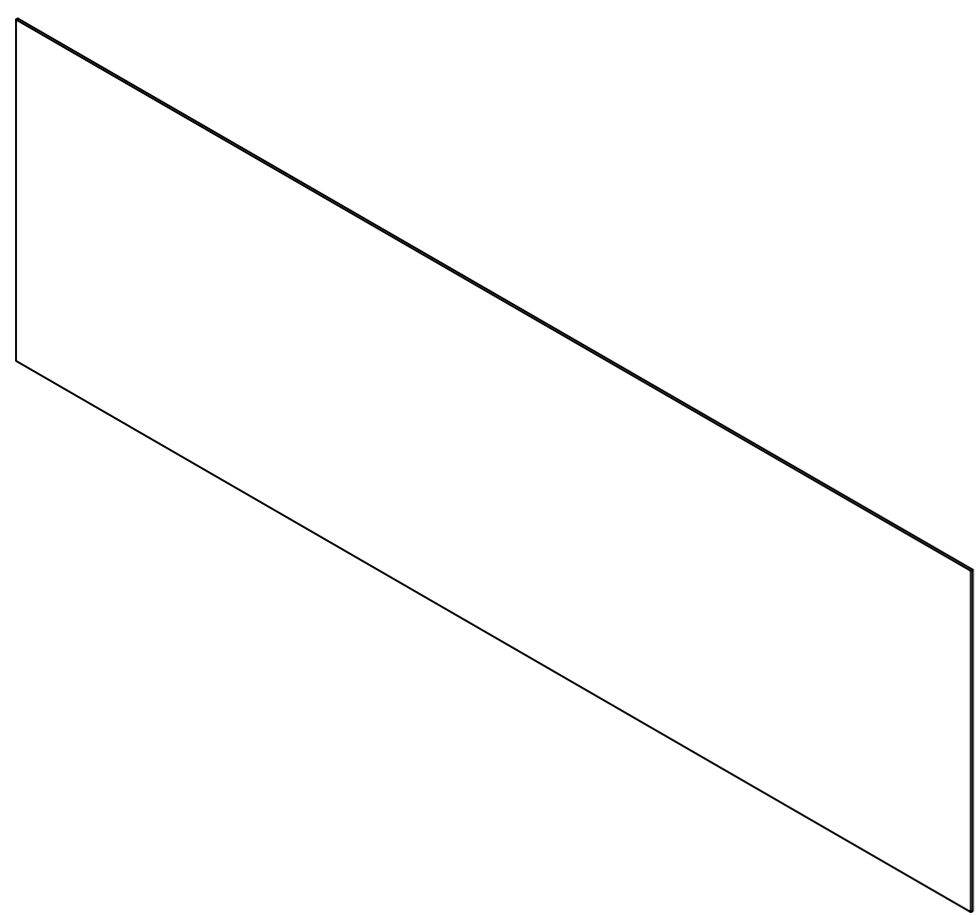
T x2



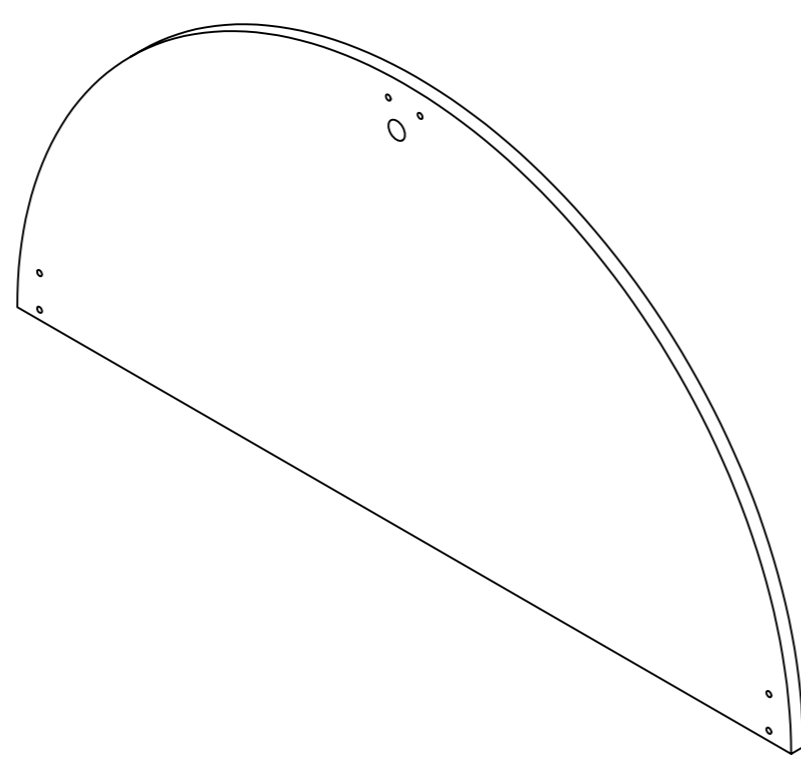
U x1



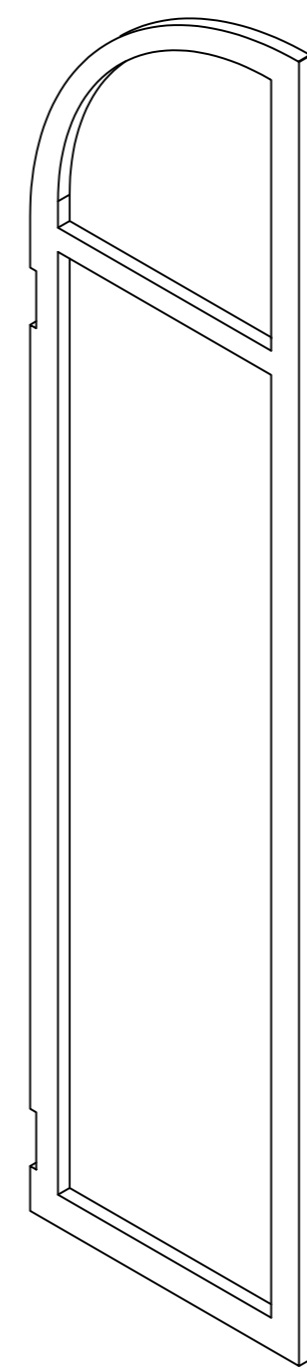
V x1



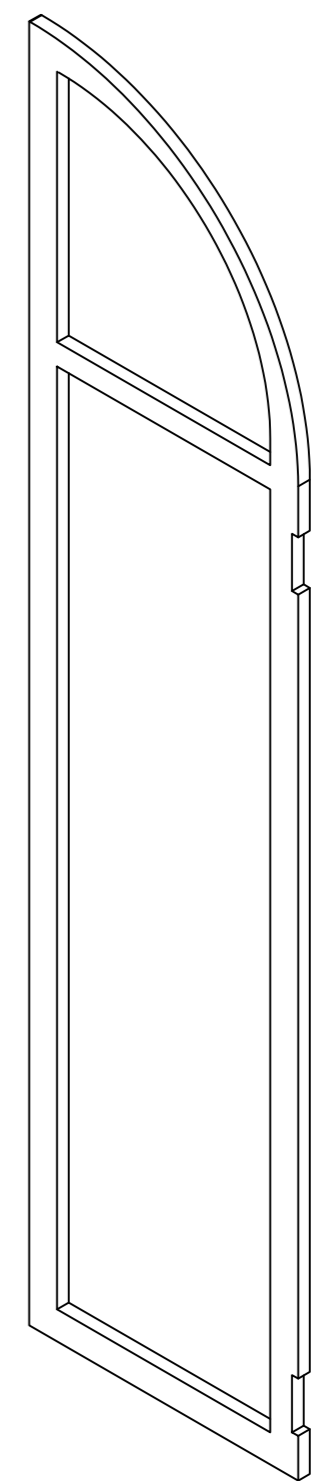
W x1



X x1

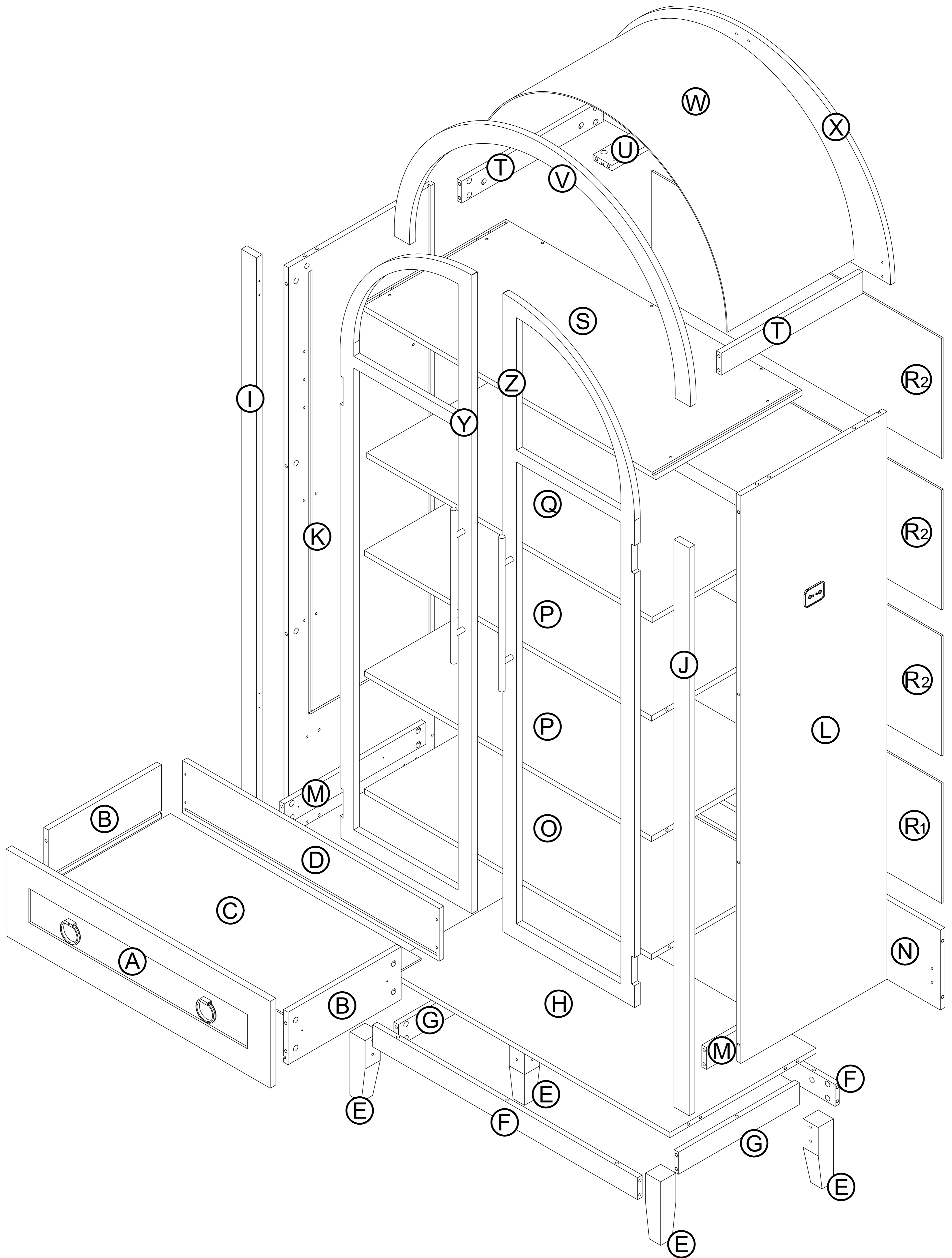


Y x1

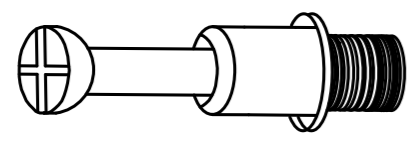


Z x1

①		Two In One Screw (6x28mm)	95pcs +5pcs
②		Two In One Nut (10x12mm)	95pcs +5pcs
③		Wood Chipping (6x30mm)	20pcs +4pcs
④		Left hinge & Screw (3.5x12mm)	2pcs 16pcs +2pcs 2pcs
⑤		Right hinge & Screw (3.5x12mm)	2pcs 16pcs +2pcs 2pcs
⑥		Non-slip pads	4pcs
⑦		Magnets & Screw (3x12mm)	2pcs +1pcs 1pcs
⑧		Laminate support nail	4pcs +1pcs
⑨		Sticker (L=371mm Ø20mm)	4pcs +1pcs 1pcs
⑩		Wire	1pcs
⑪		Handle & screw (4x22mm)	4pcs +2pcs 2pcs
⑫		Magnetic Attraction & Screw (3x12mm)	2pcs +1pcs 2pcs
⑬		Fixing clip & screw (3x16mm)	8pcs +2pcs
⑭		Forked line	1pcs
⑮		Handle & screw (4x8mm)	2pcs +1pcs 2pcs
⑯		Screw & Guide(12 inch) (3x12mm)	10pcs +2pcs 2pcs
⑰		Backboard H-bar	1pcs
⑲		Foot nail	4pcs +2pcs
⑳		Wire Clamp	3pcs +1pcs
⑱	Anti Fall Hardware x1 x1 x1 x1 x2	 AC/DC Adapter (12V = 2.0A)	1pcs
		 1pcs Double-head screwdriver, use as required	

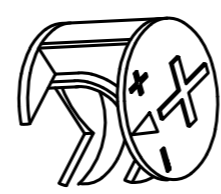


1



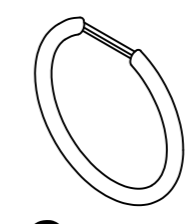
8pcs

2

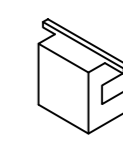


8pcs

15



2pcs

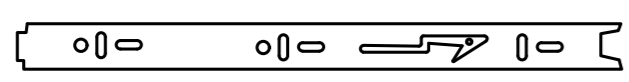


2pcs

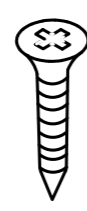


2pcs

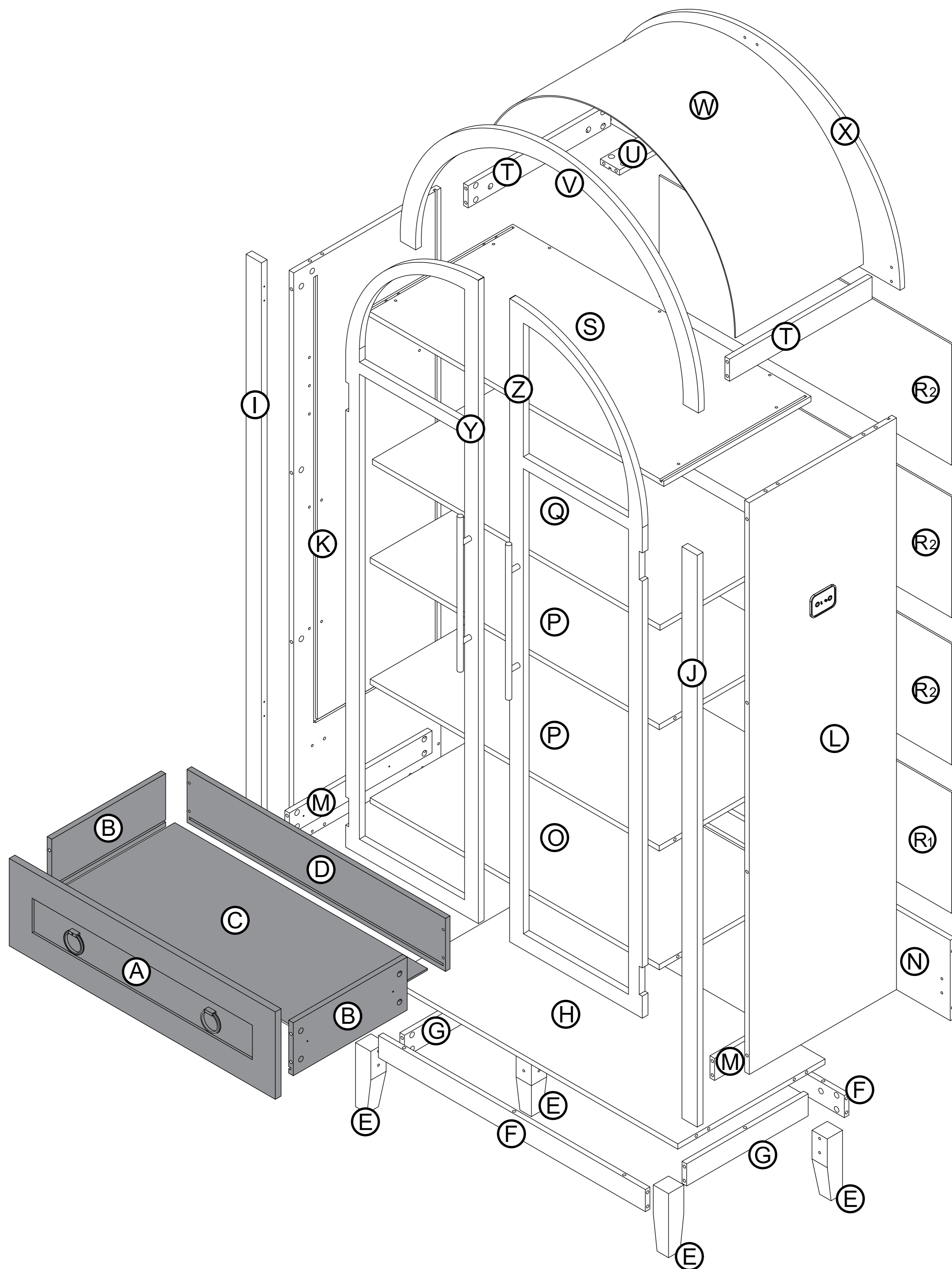
16



2pcs

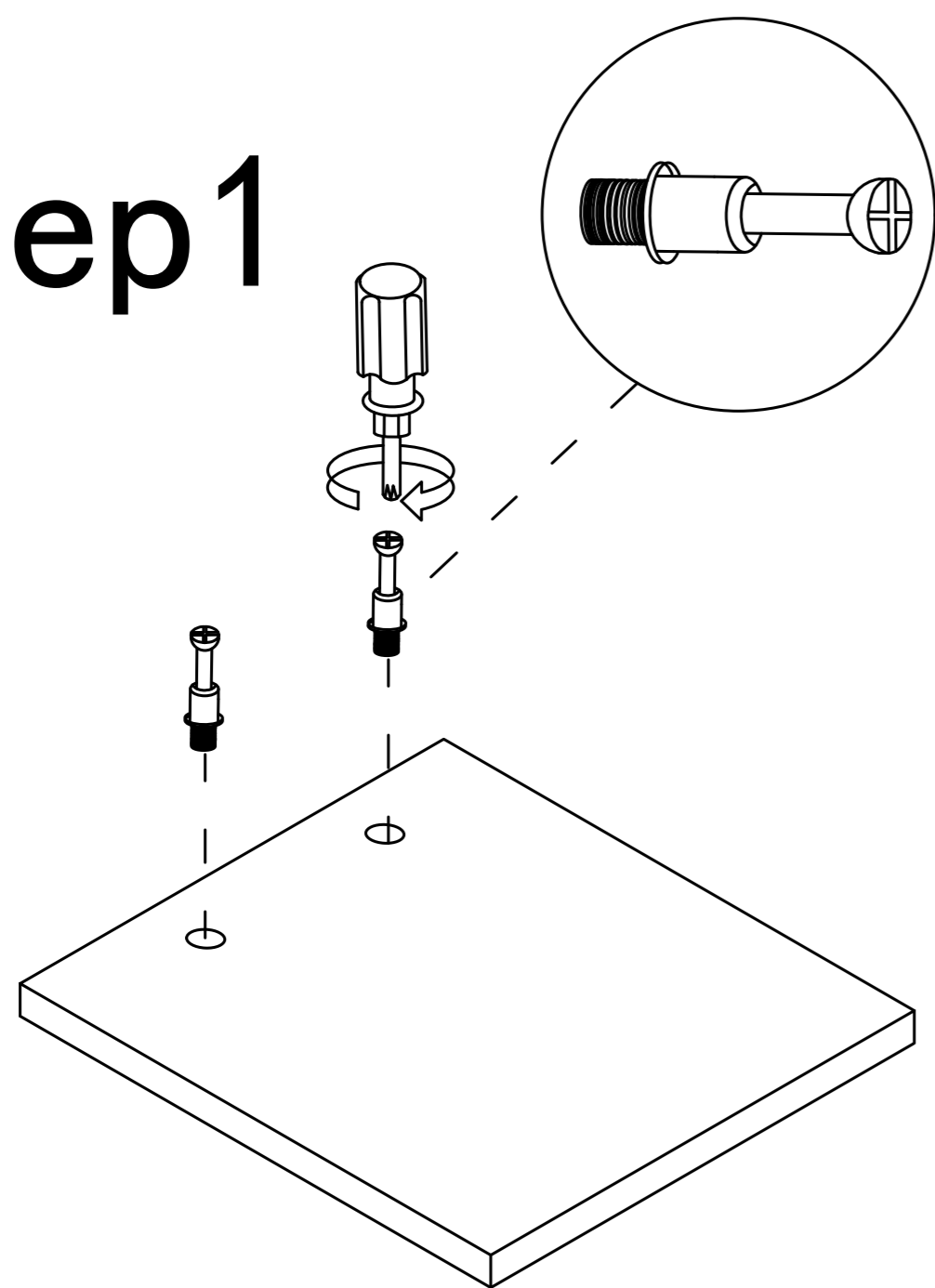


4pcs

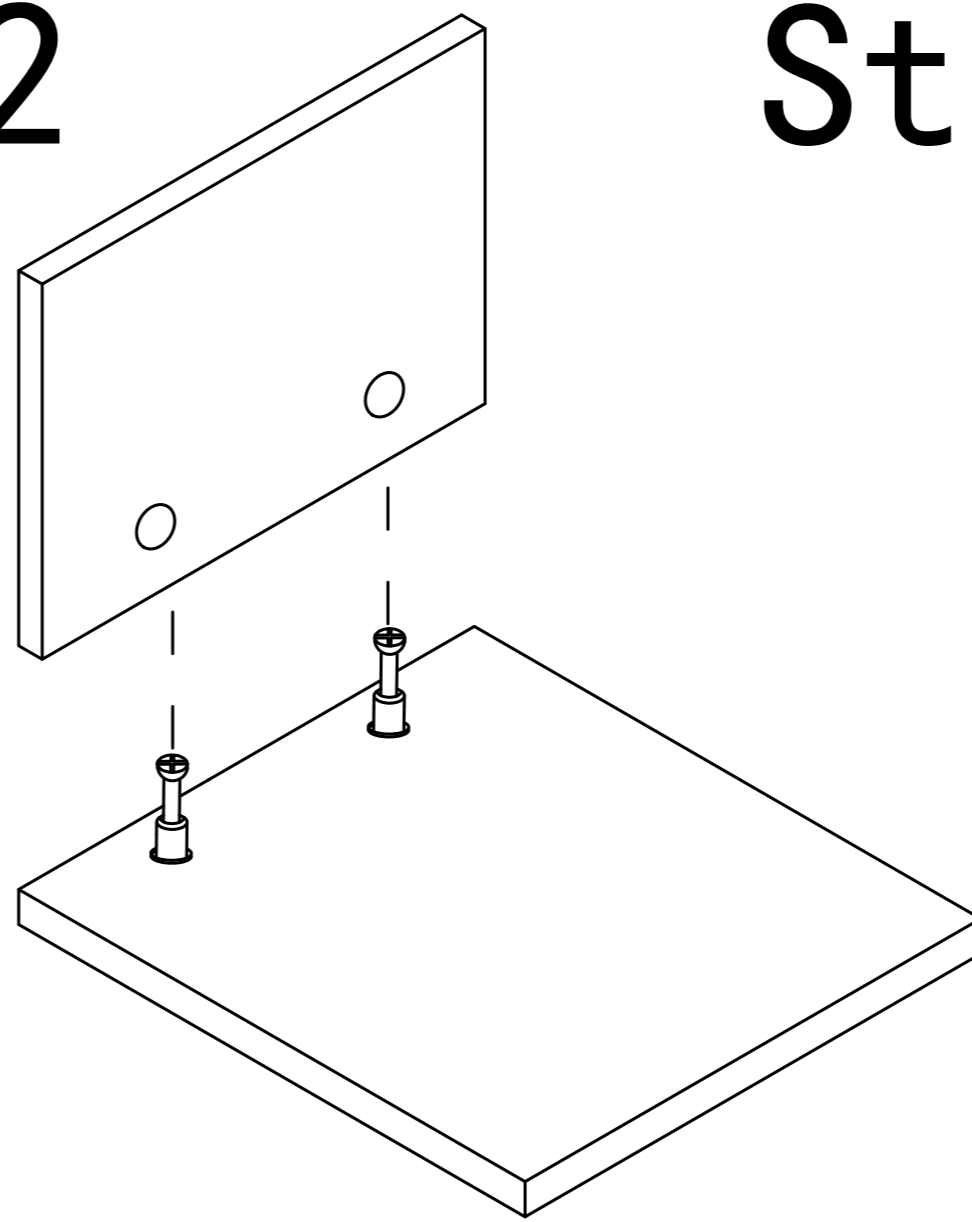


Screw installation method

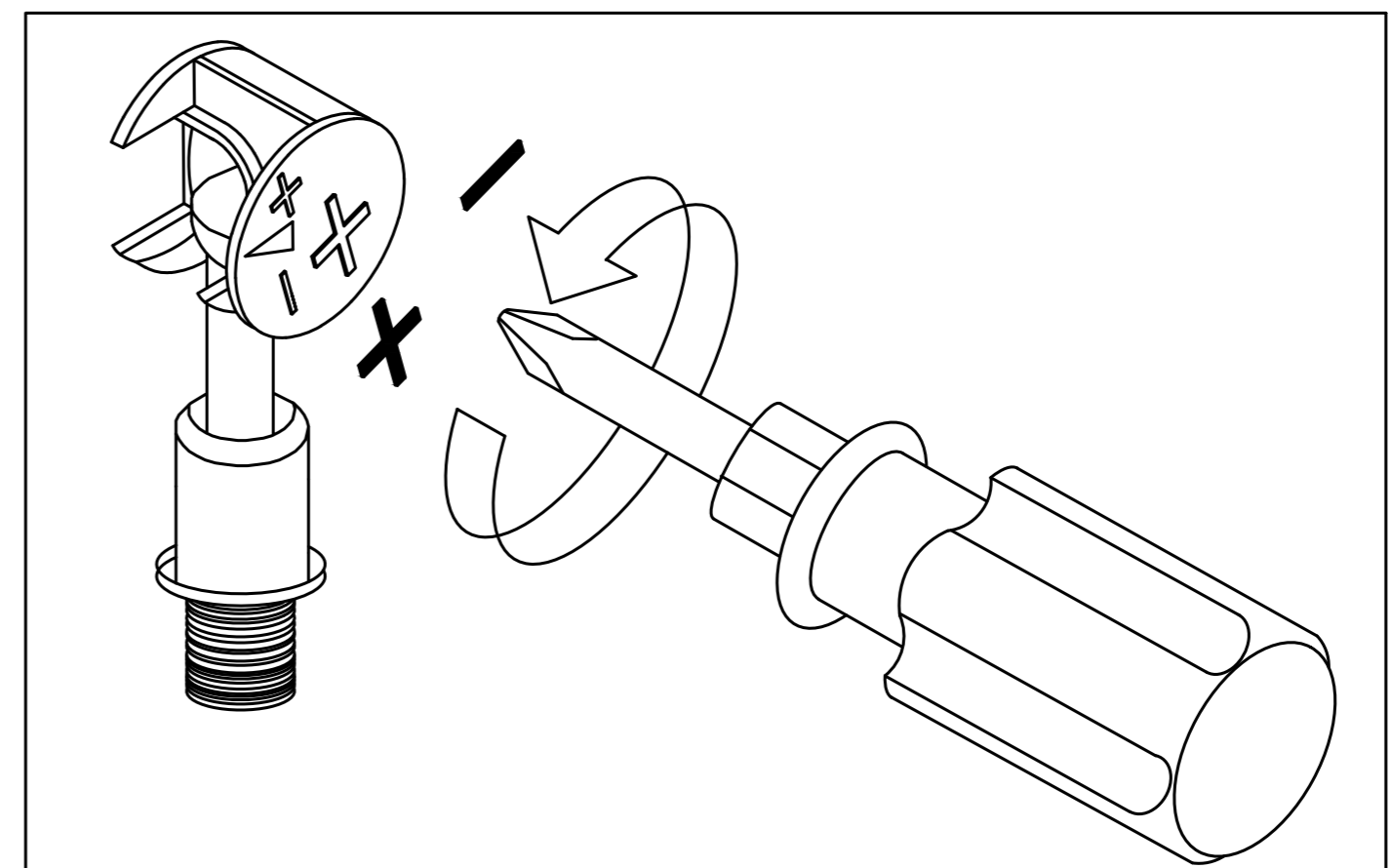
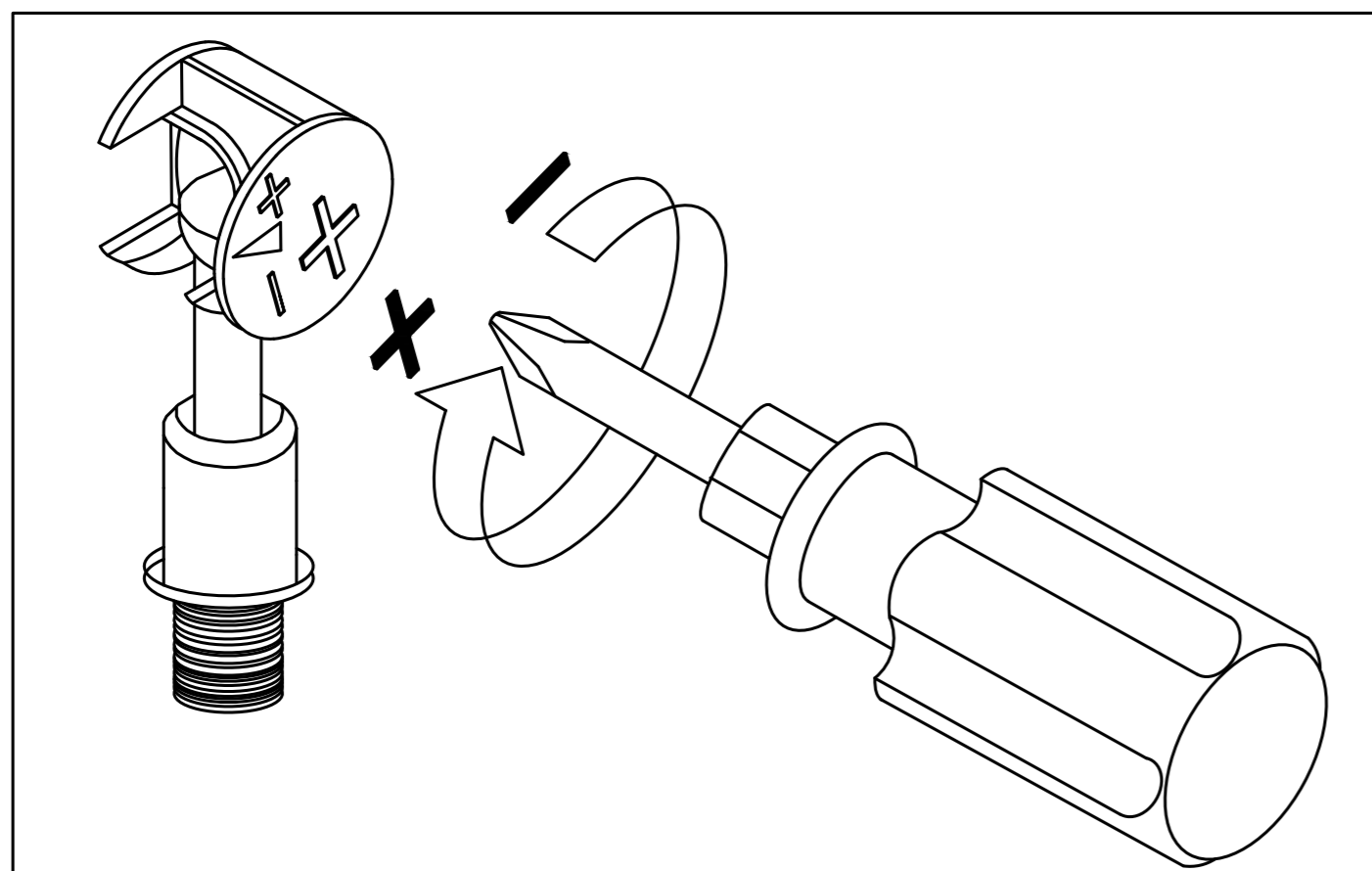
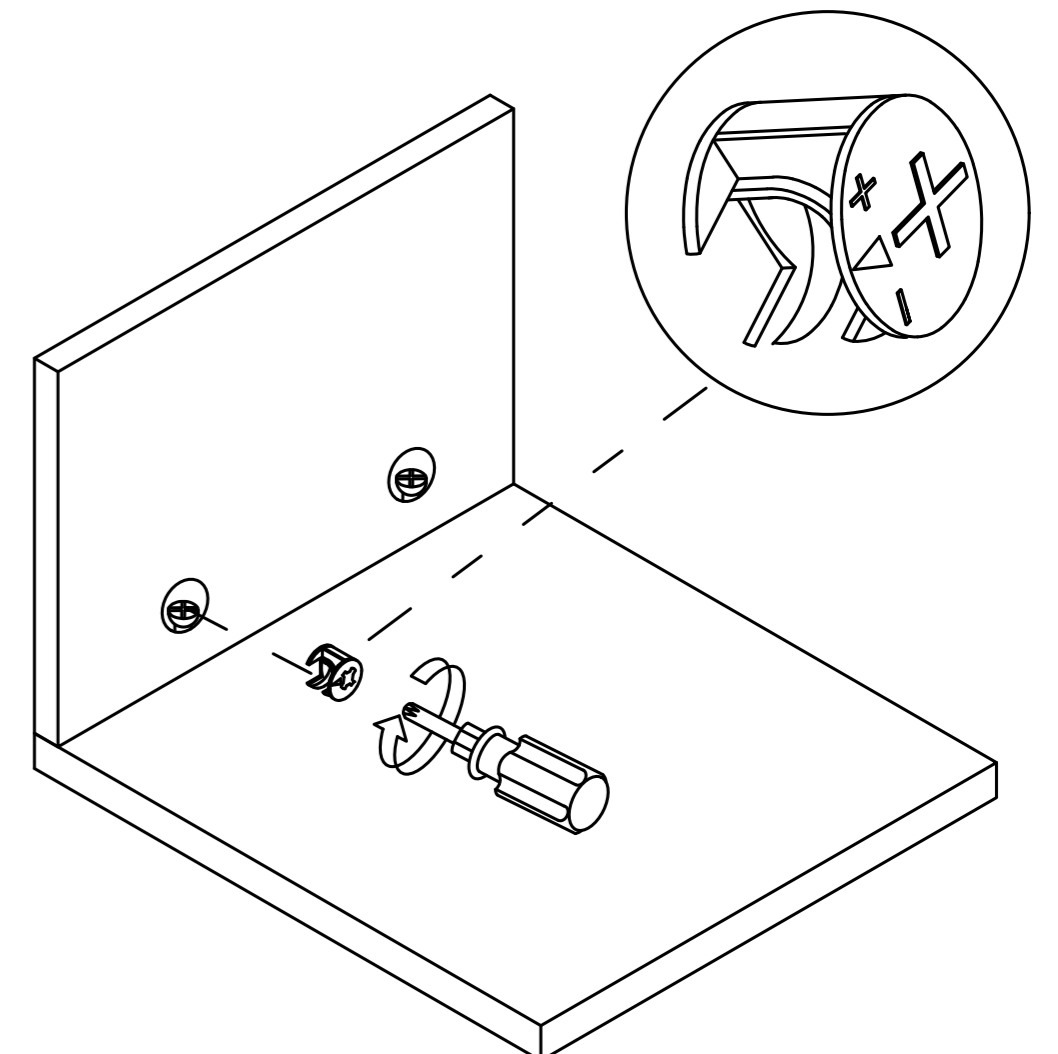
Step 1



Step 2



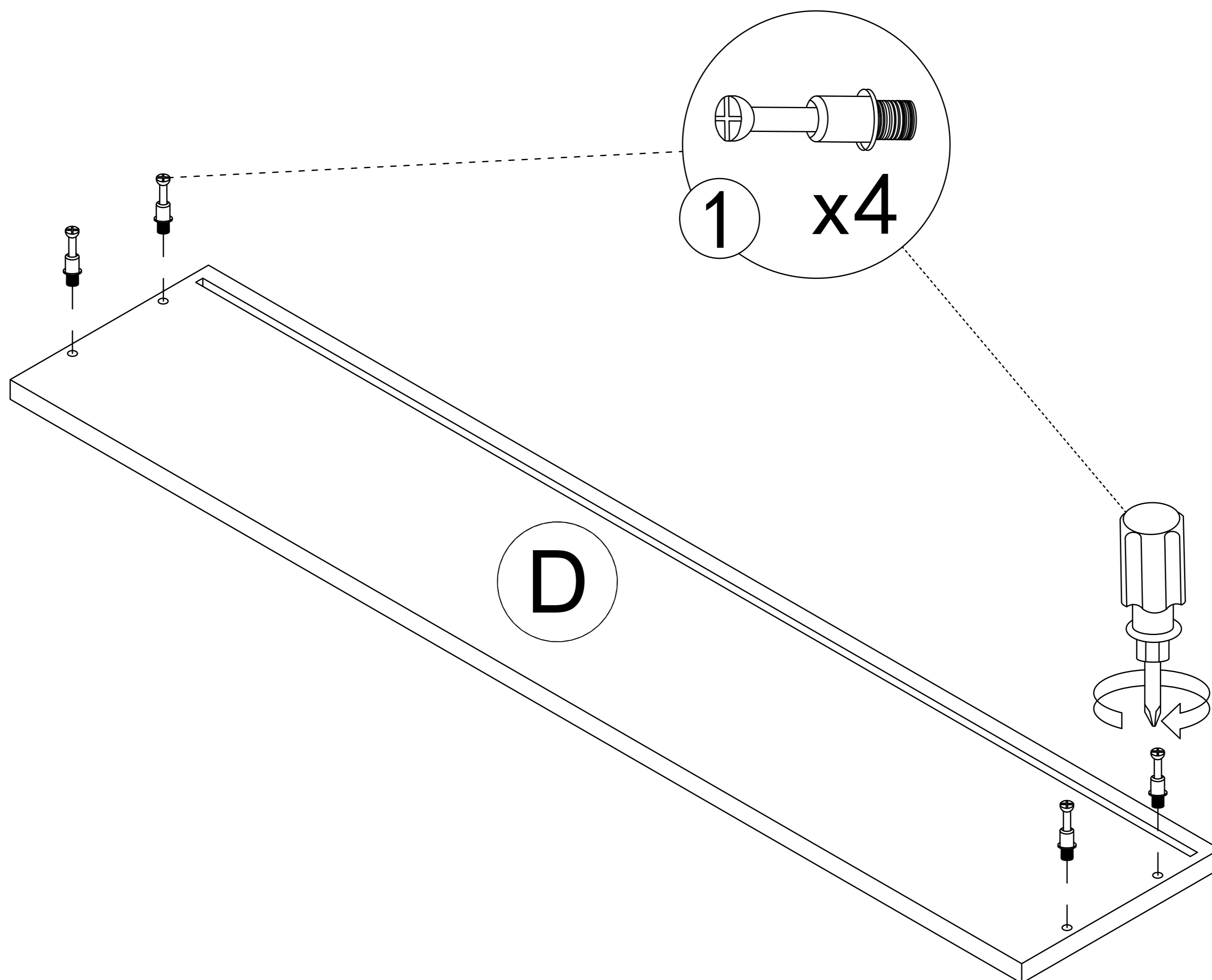
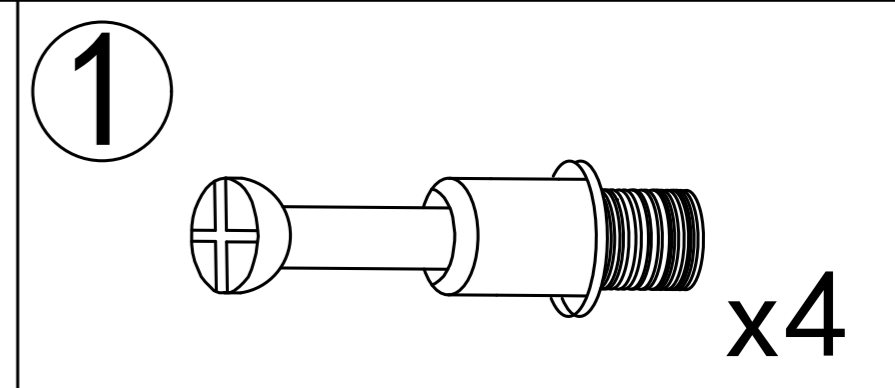
Step 3



Use a screwdriver to lock in the direction of the "+" sign

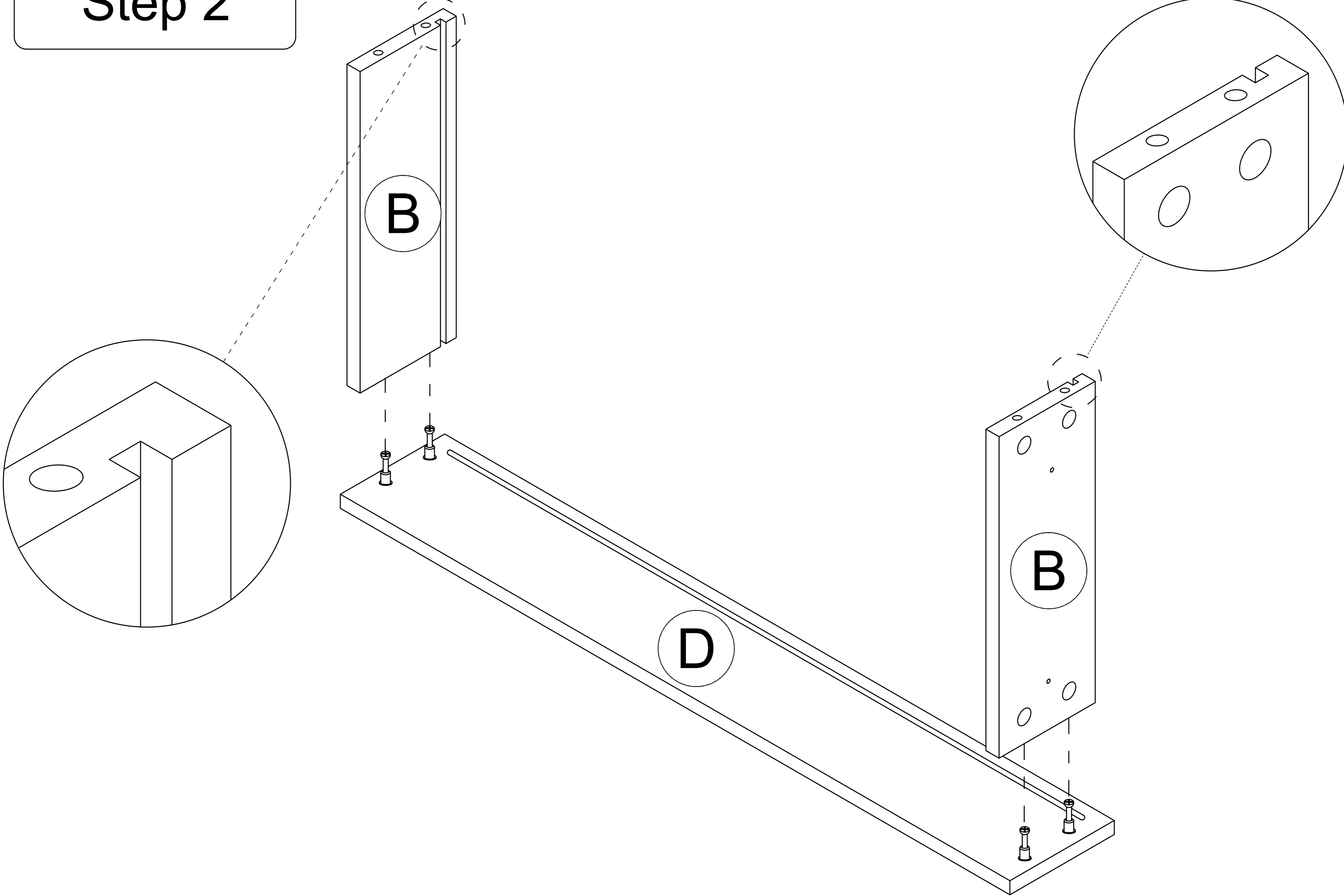
Disassemble along the direction of "-" sign

Step 1

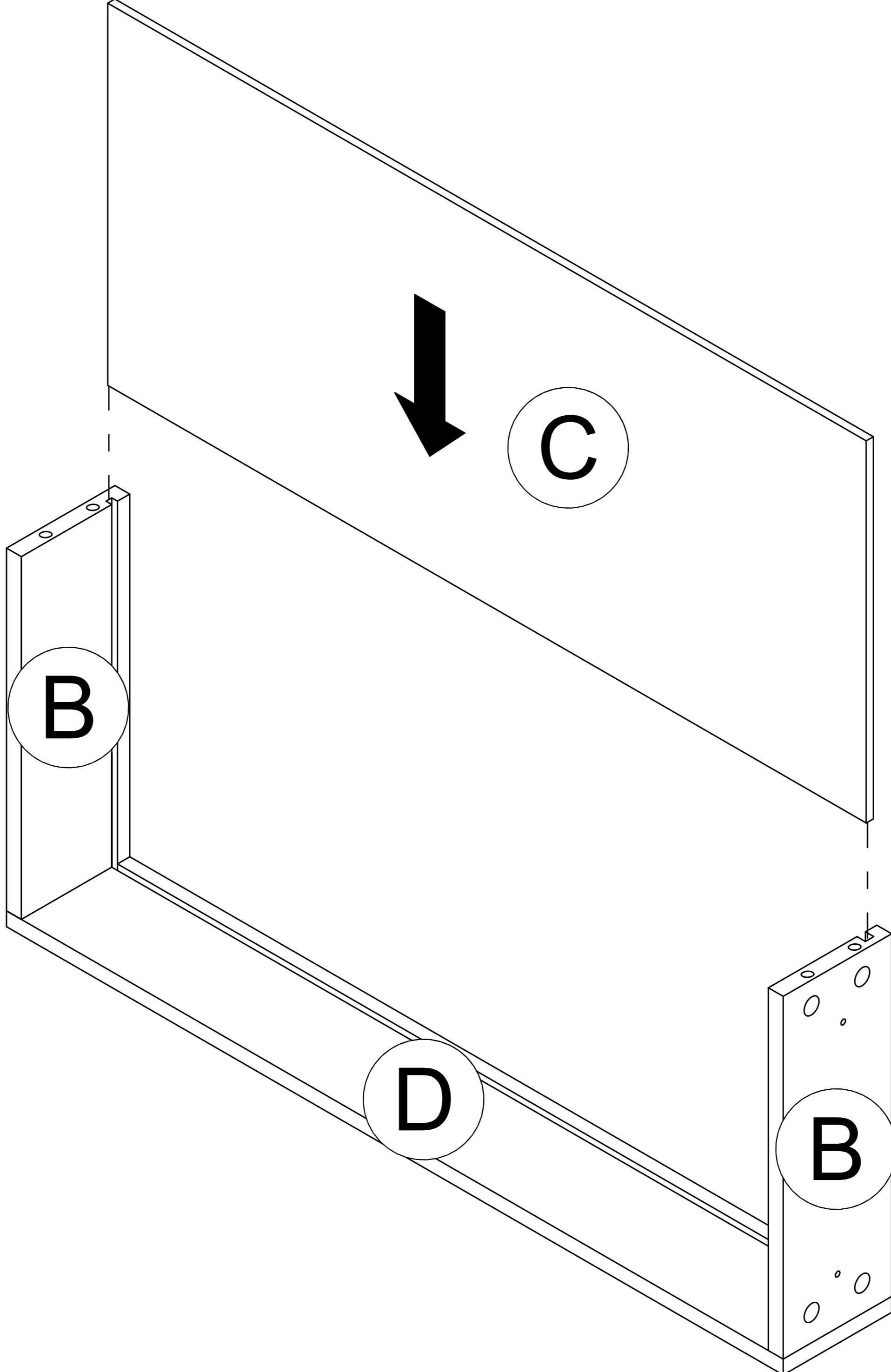


6

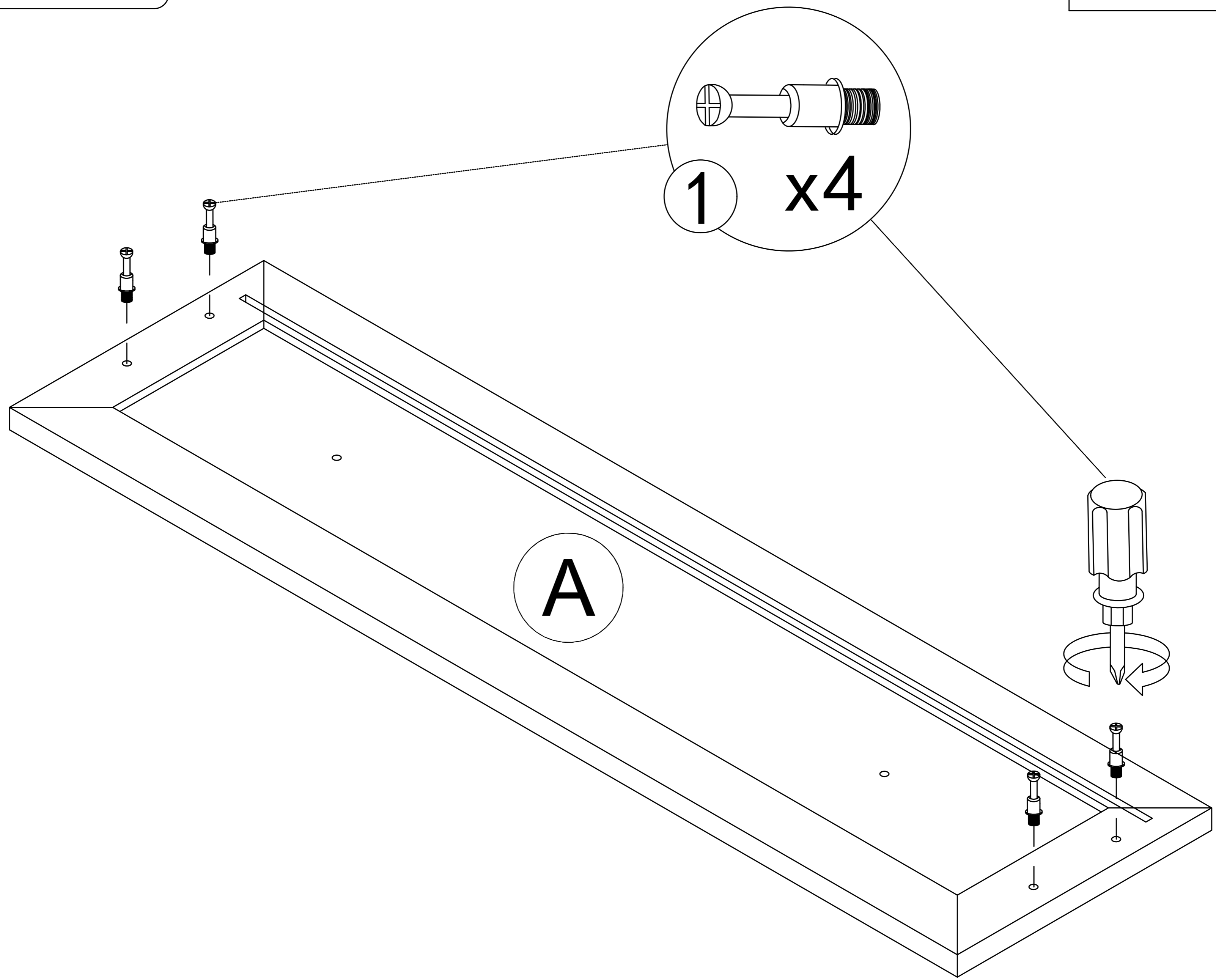
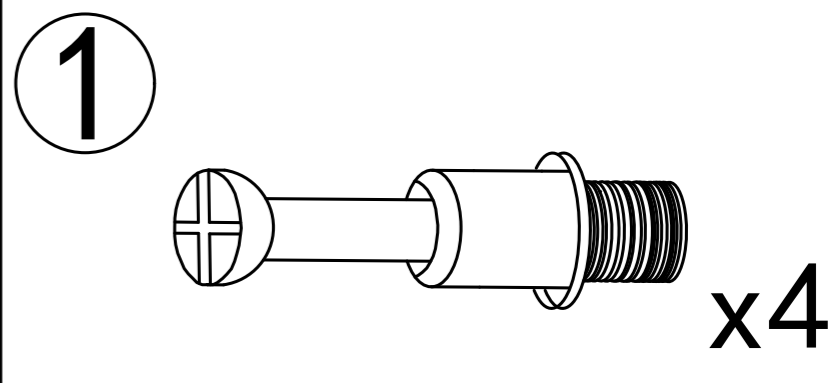
Step 2



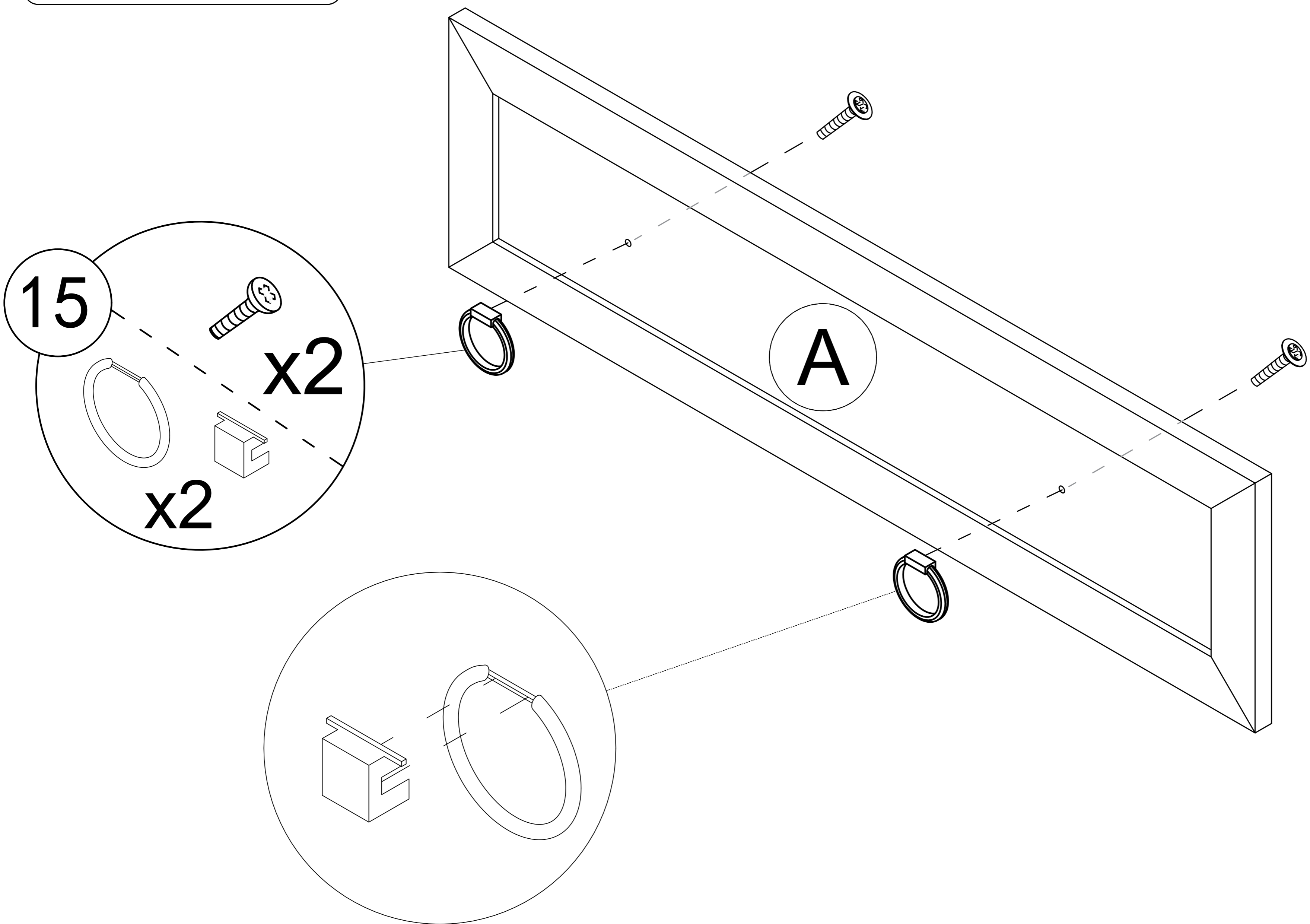
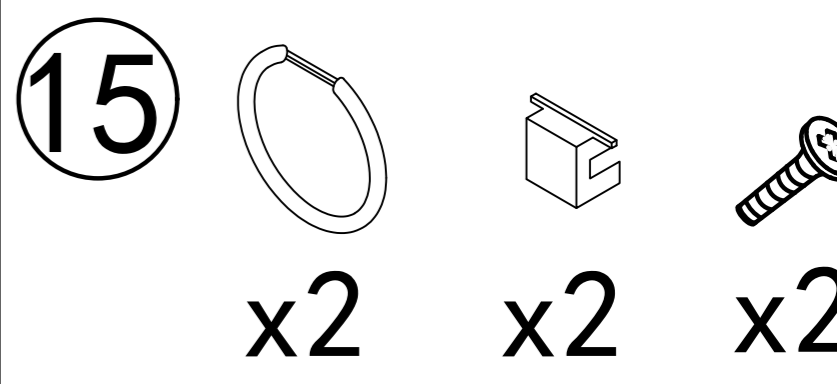
Step 3




Step 4

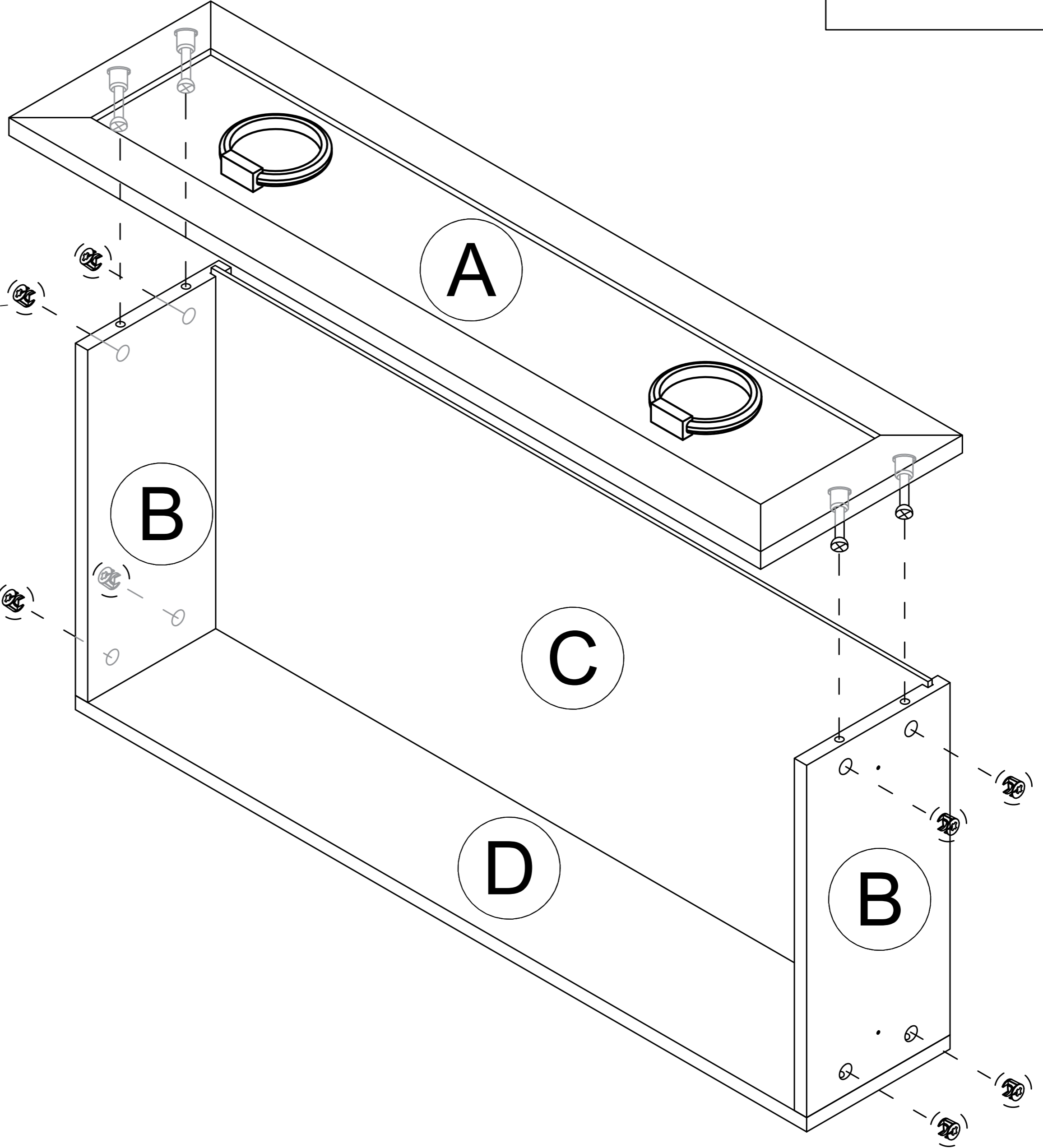
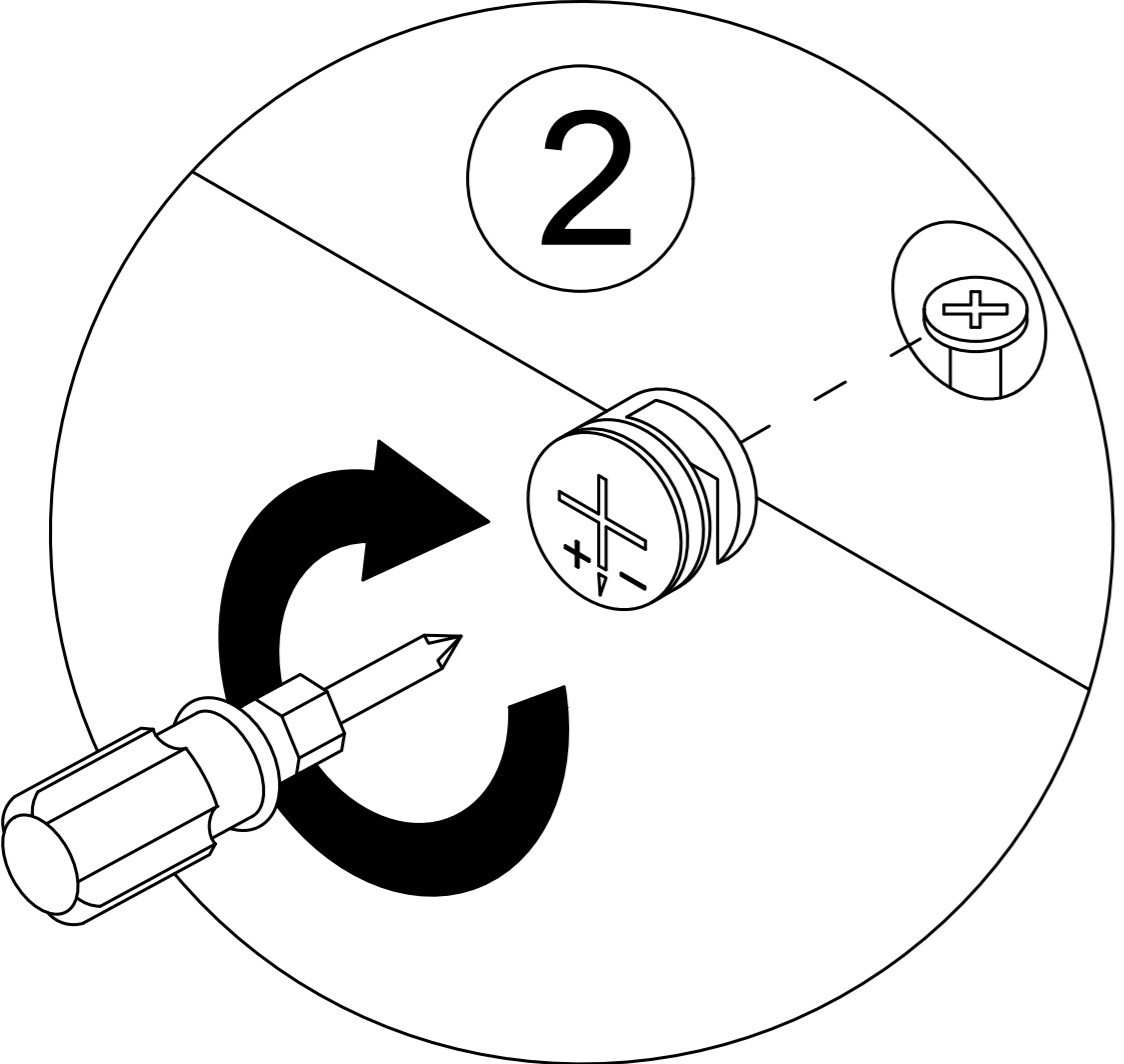
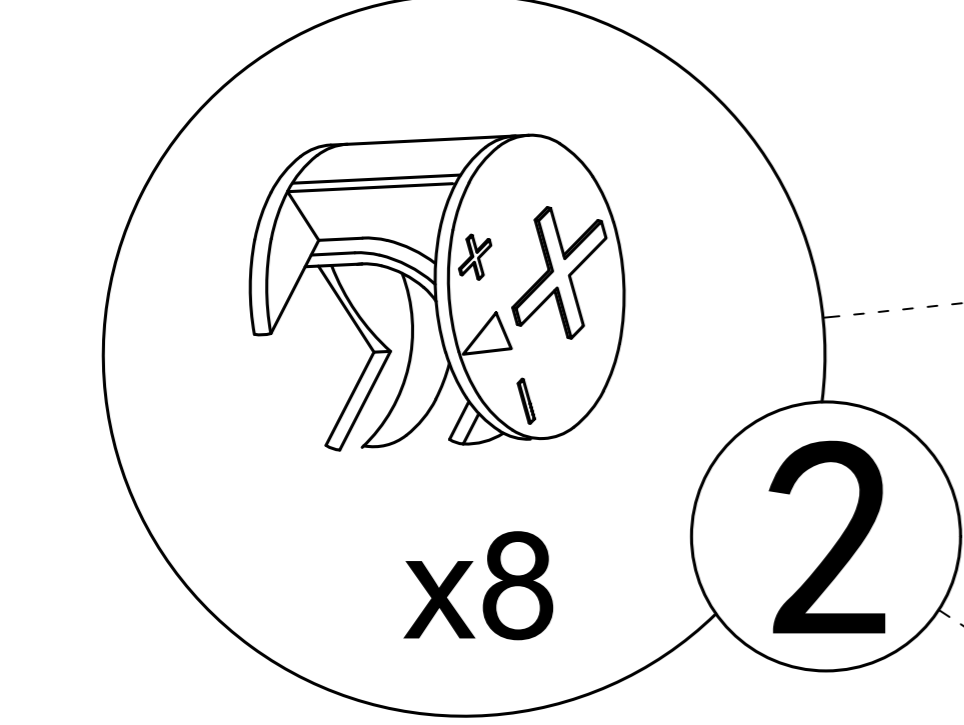


Step 5



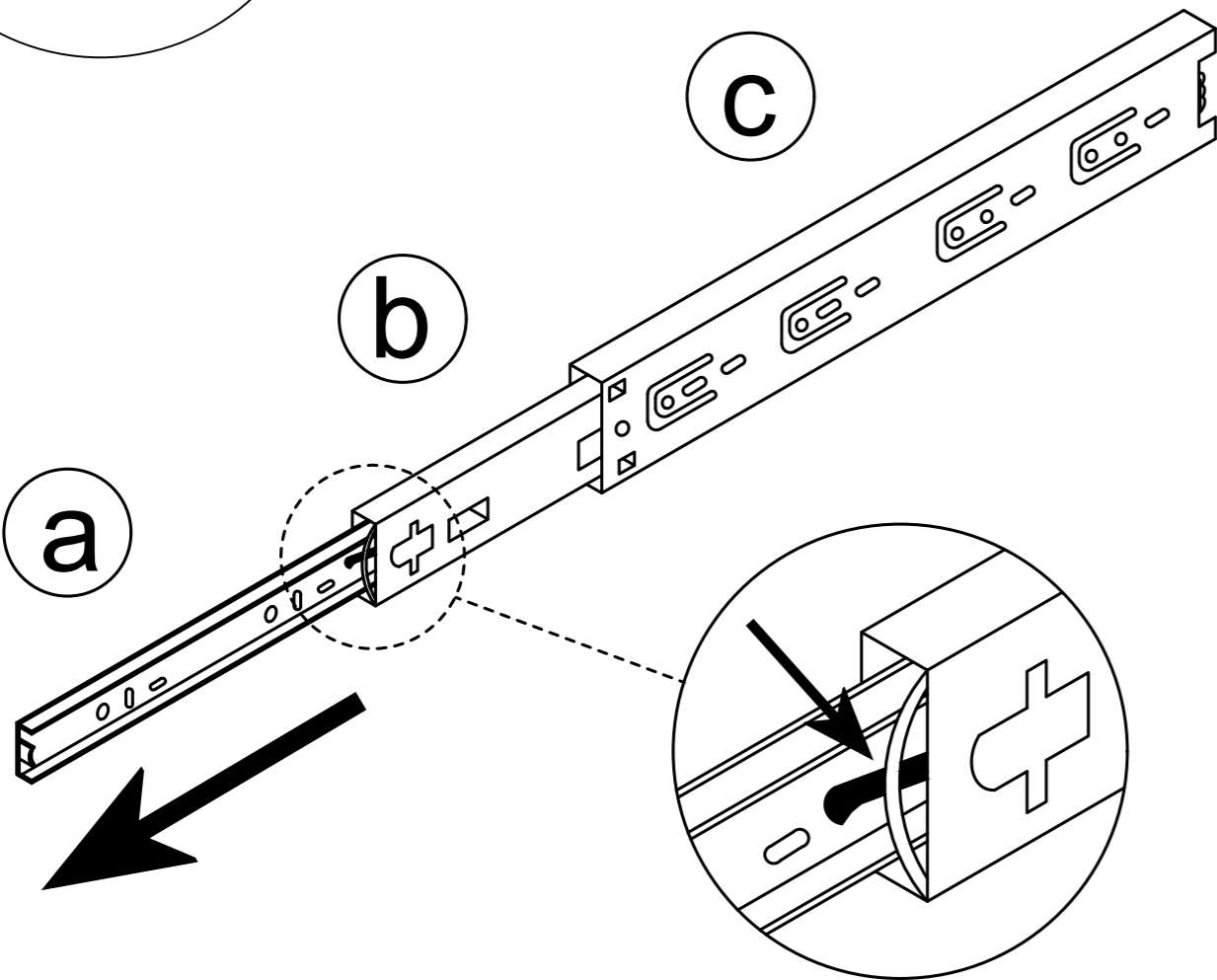
Step 6

2  x8



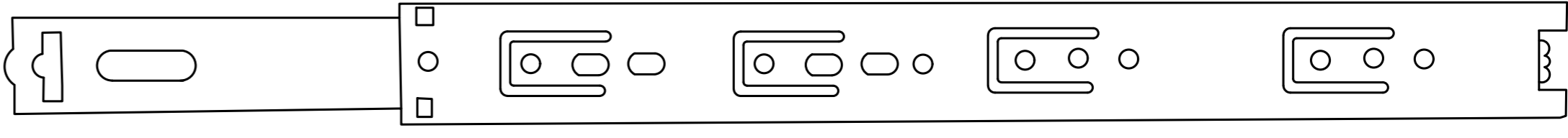
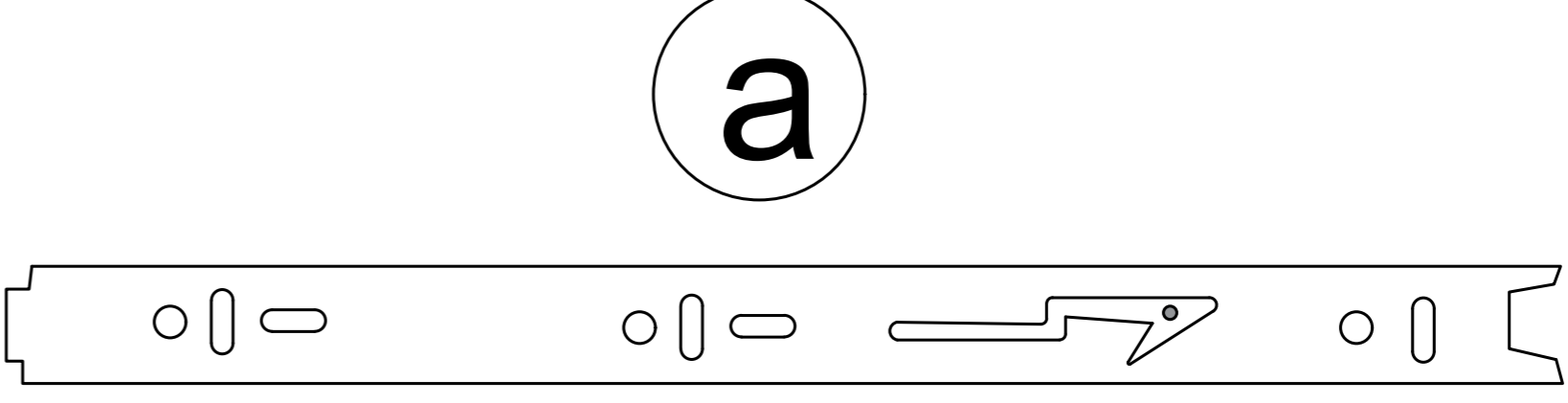
16

Drawer rail breakdown diagram



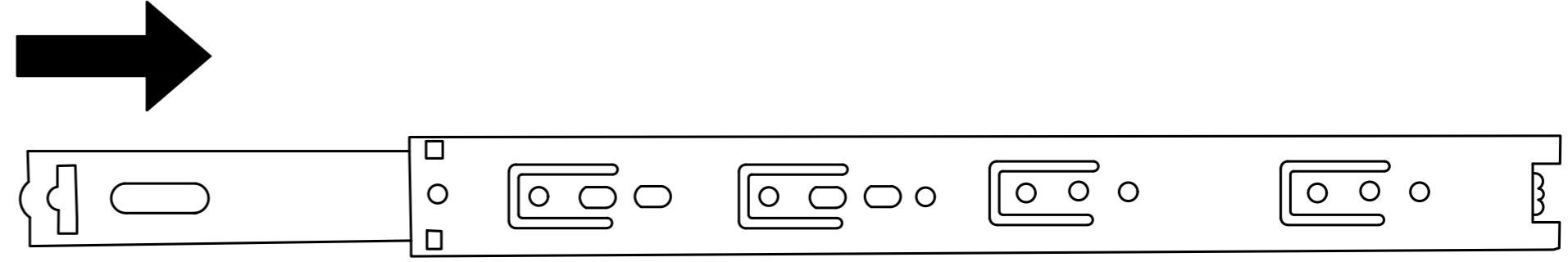
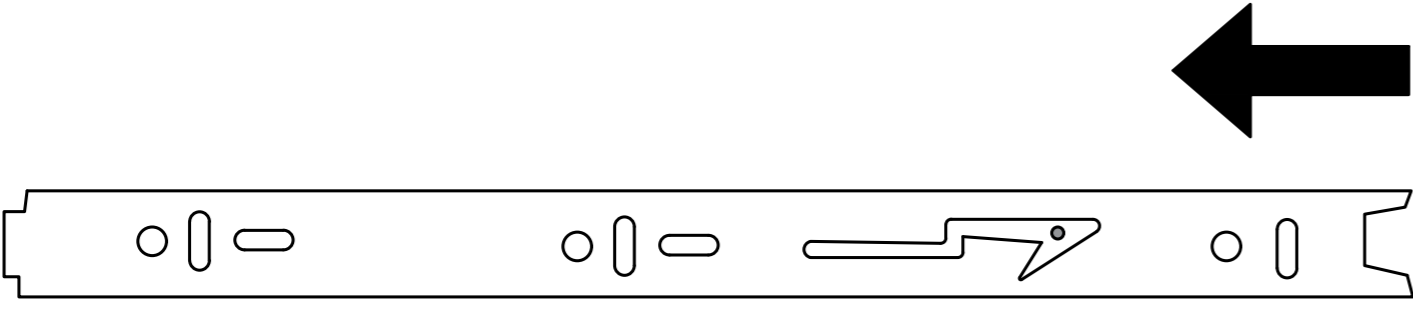
Step 1 : Pull the rails apart

Step 2 : Push the nylon buckle outward (a)



b

c



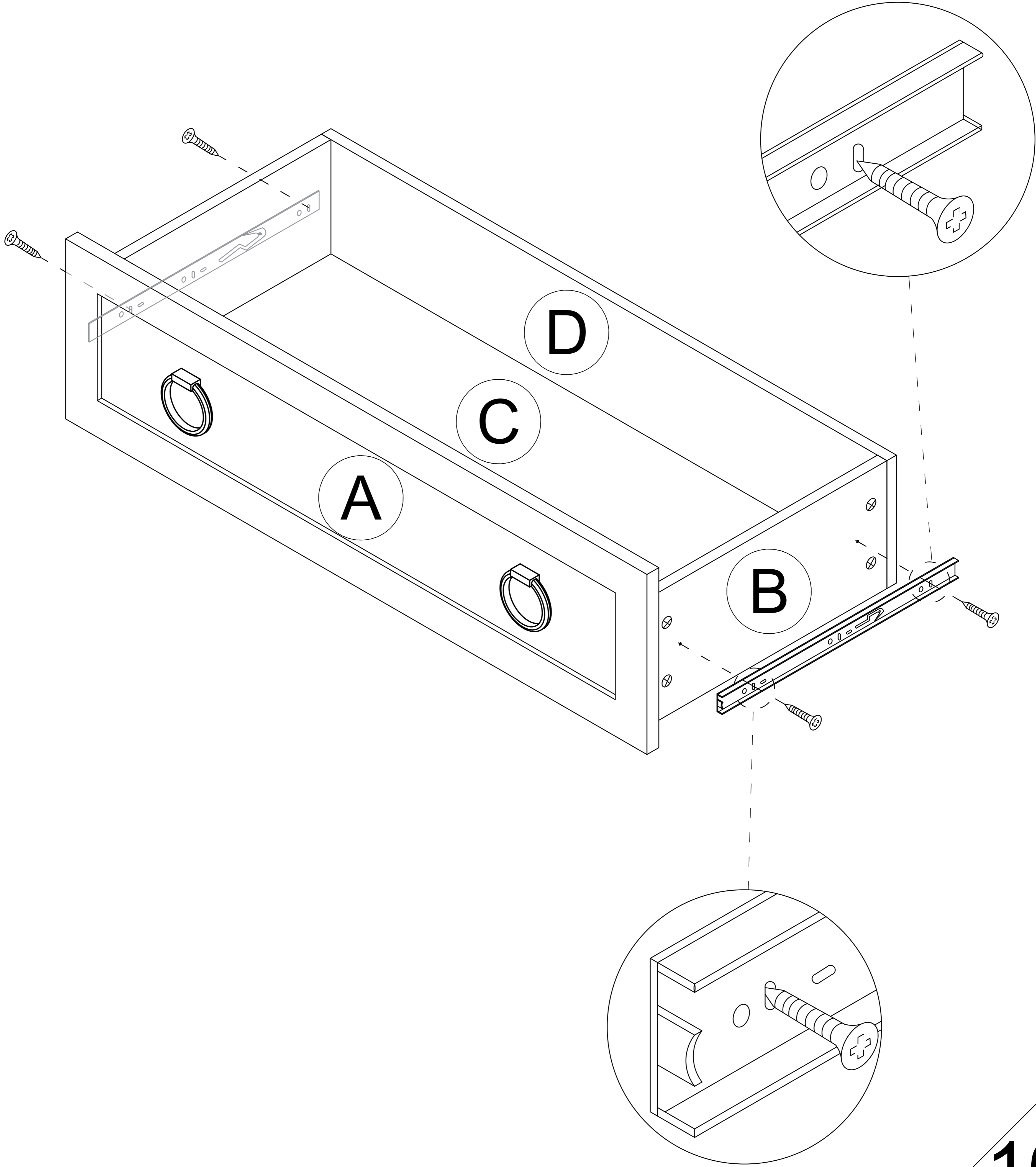
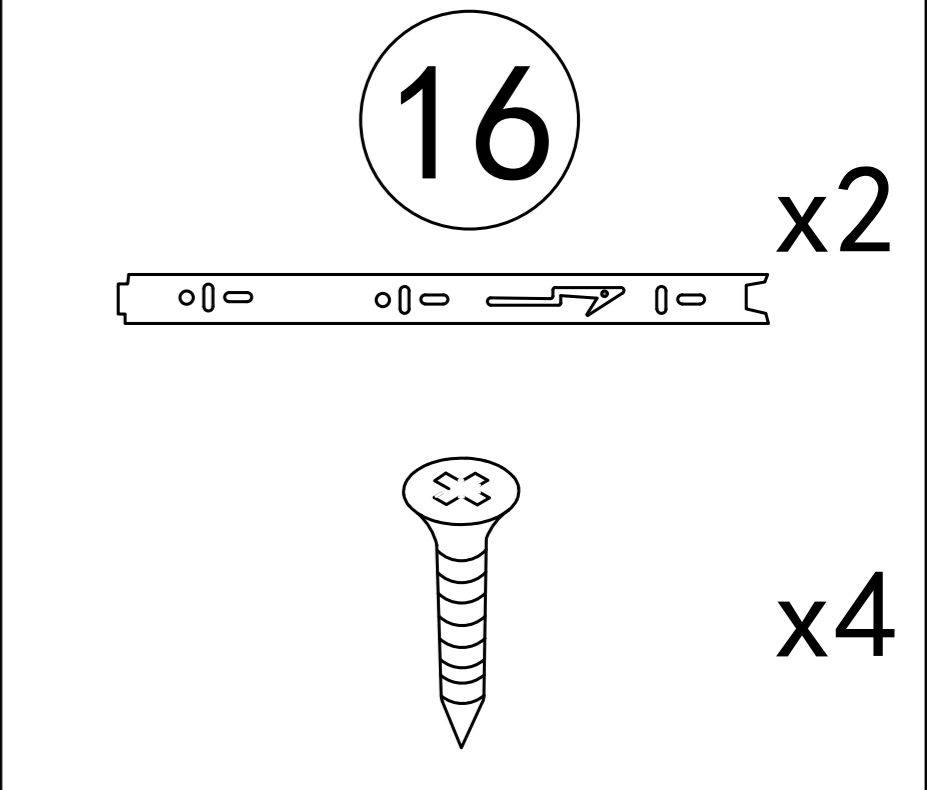
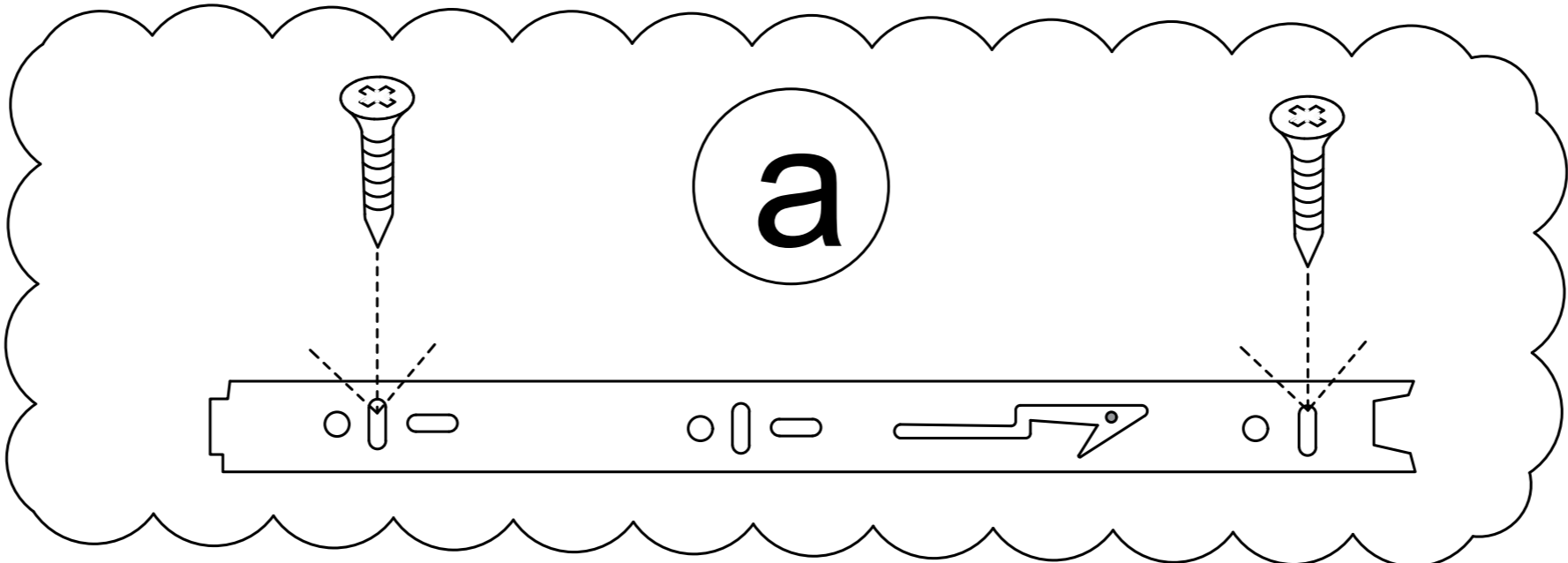
a

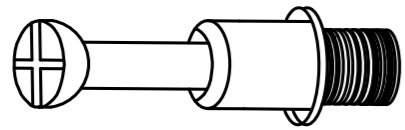
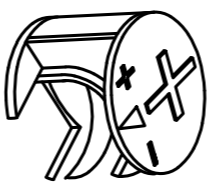
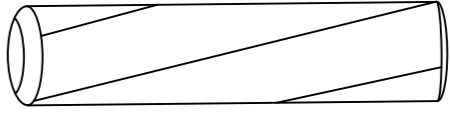
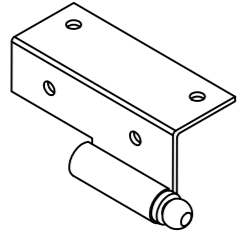

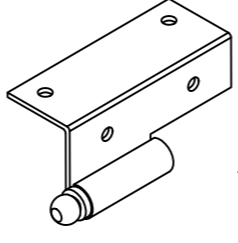




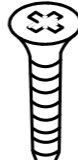
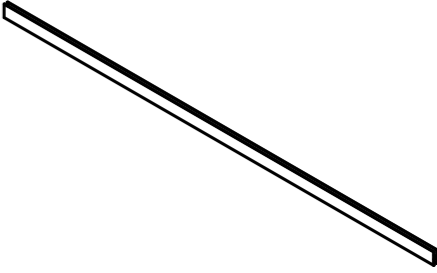
b

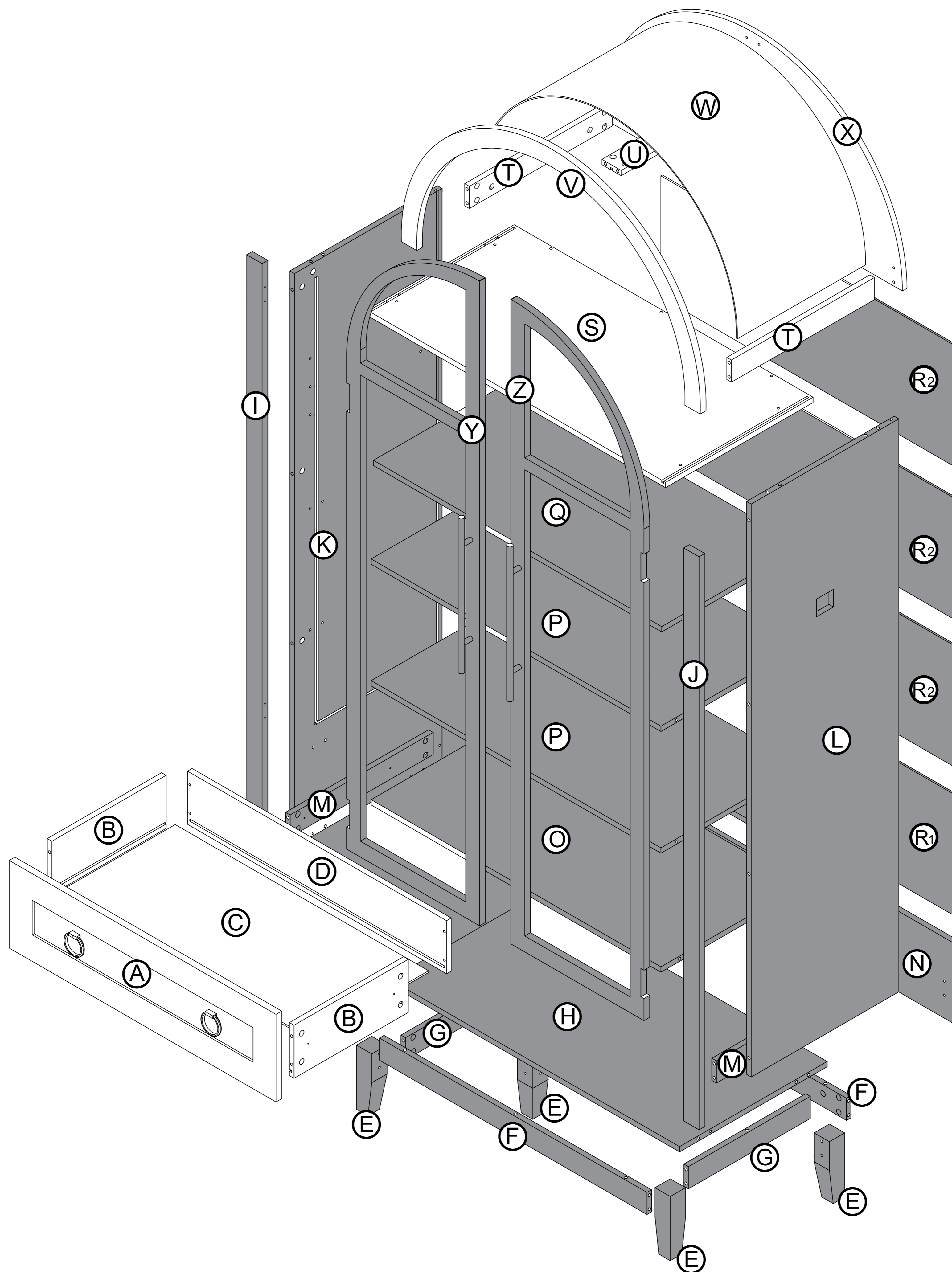
c

9

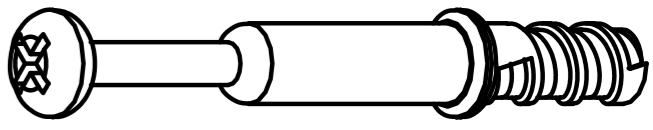
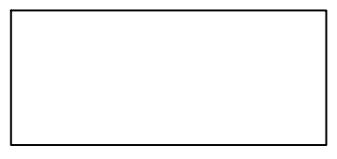
Step 7



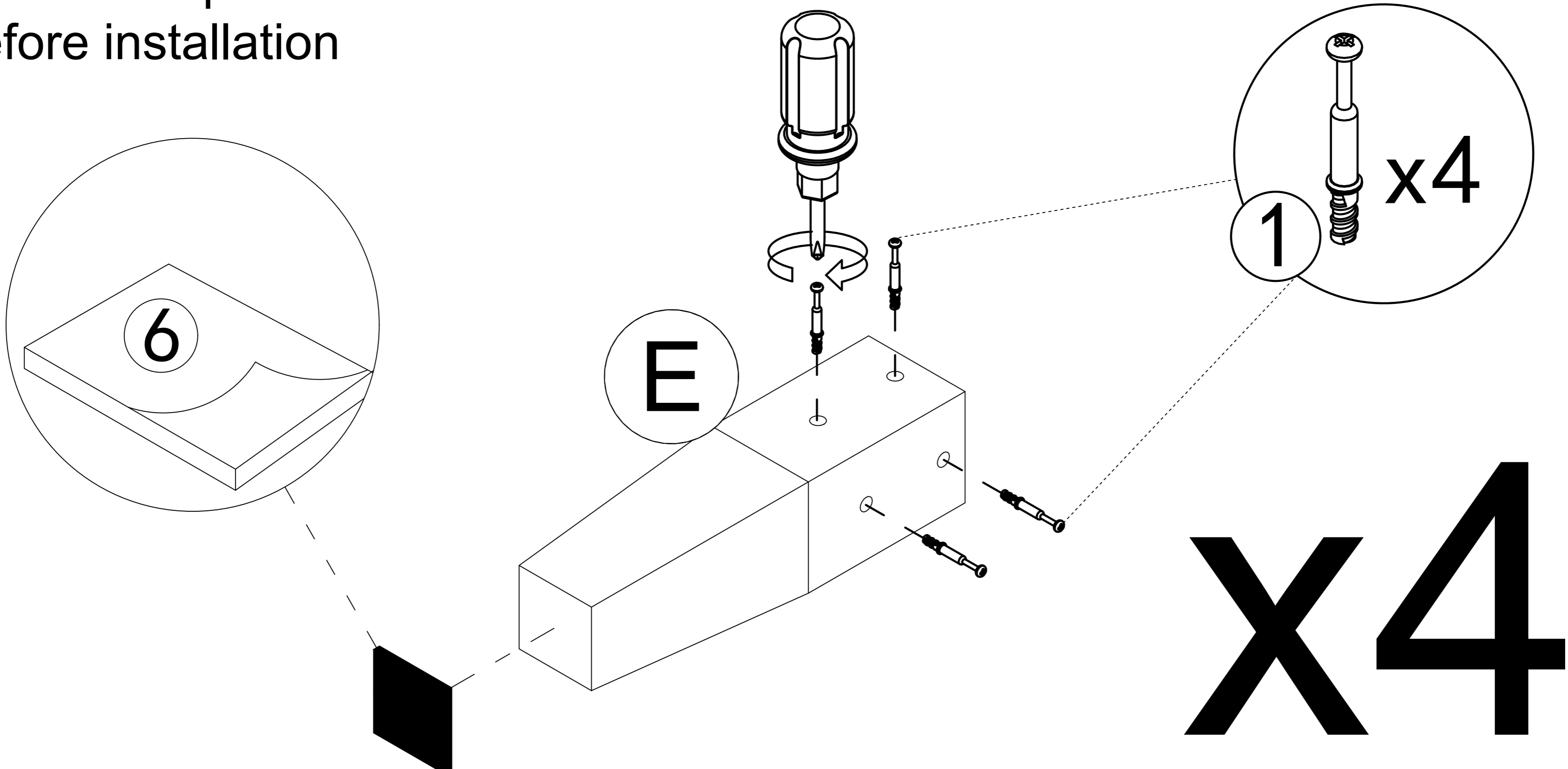
1		64pcs	2		64pcs	3		20pcs
4	 2pcs	 8pcs	5	 2pcs	 8pcs	6		4pcs
8		4pcs	16	 2 pcs	 6 pcs	17		1pcs



Step 8

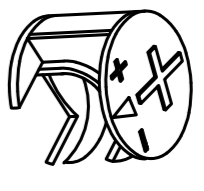
- 1  x16
- 6  x4

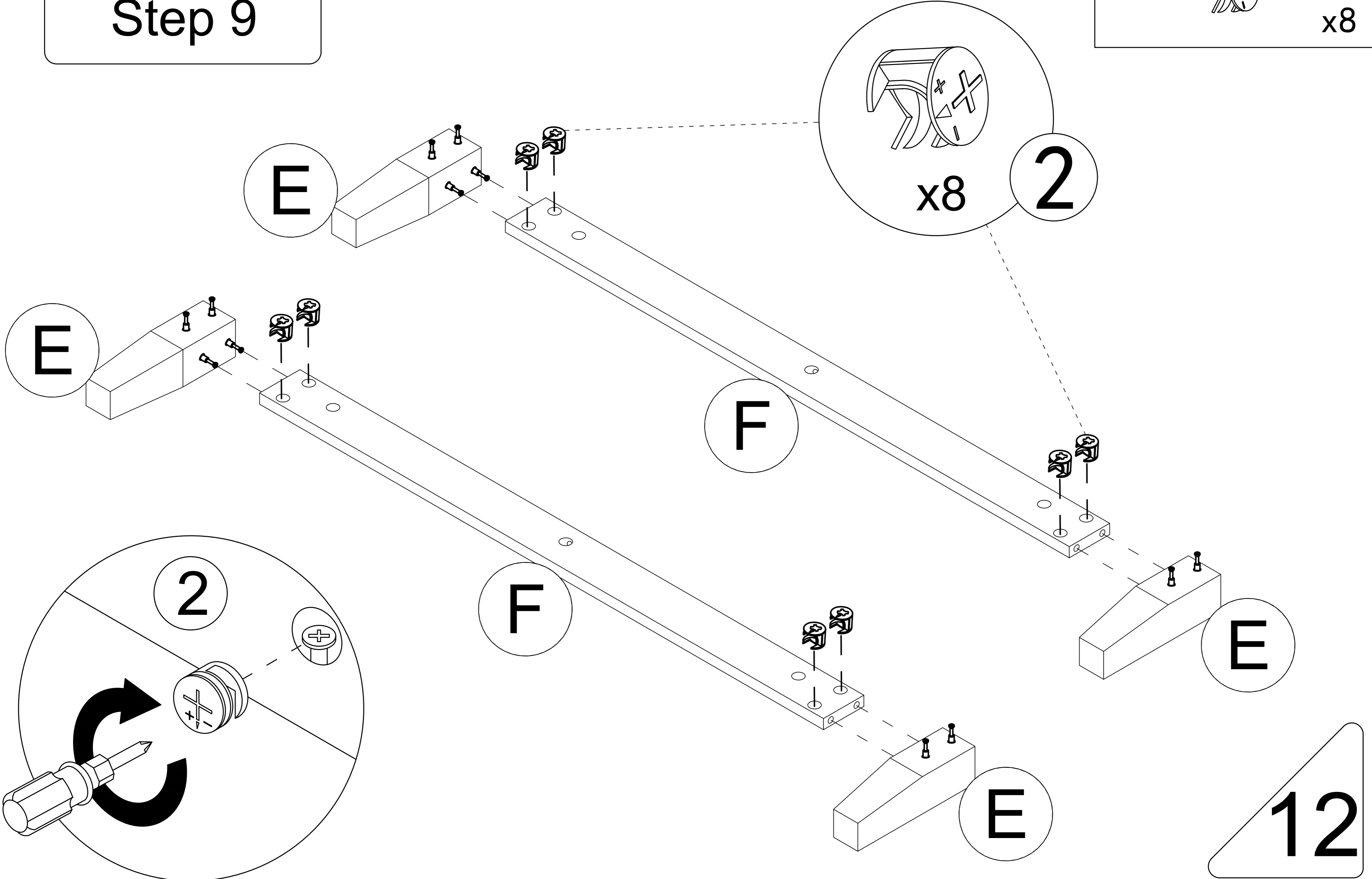
Tear off the protective film before installation



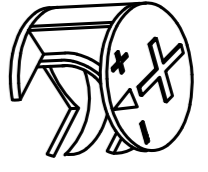
Repeat the steps for installing wooden feet

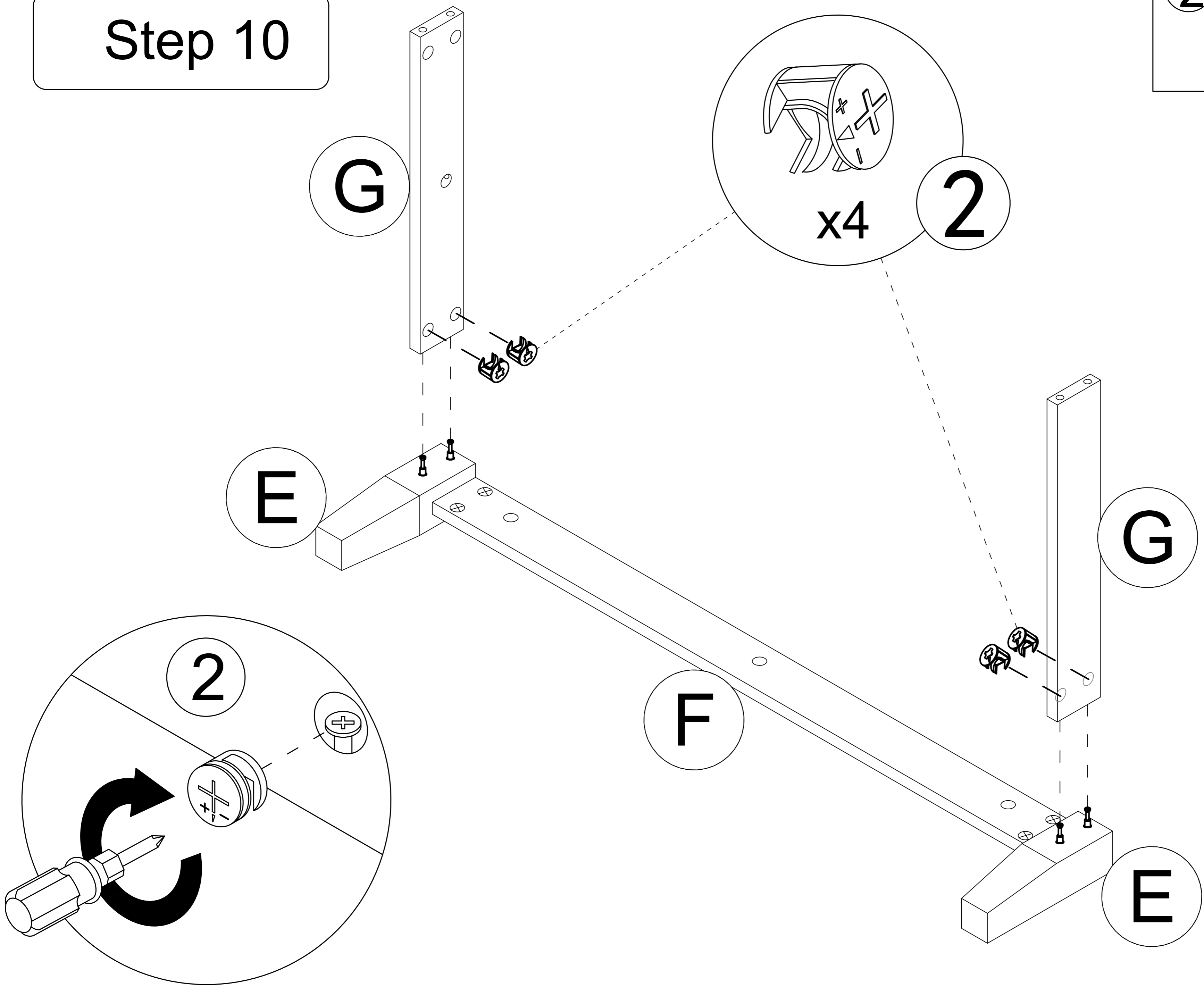
Step 9

- 2  x8

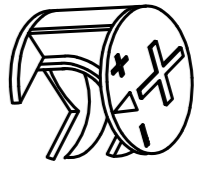


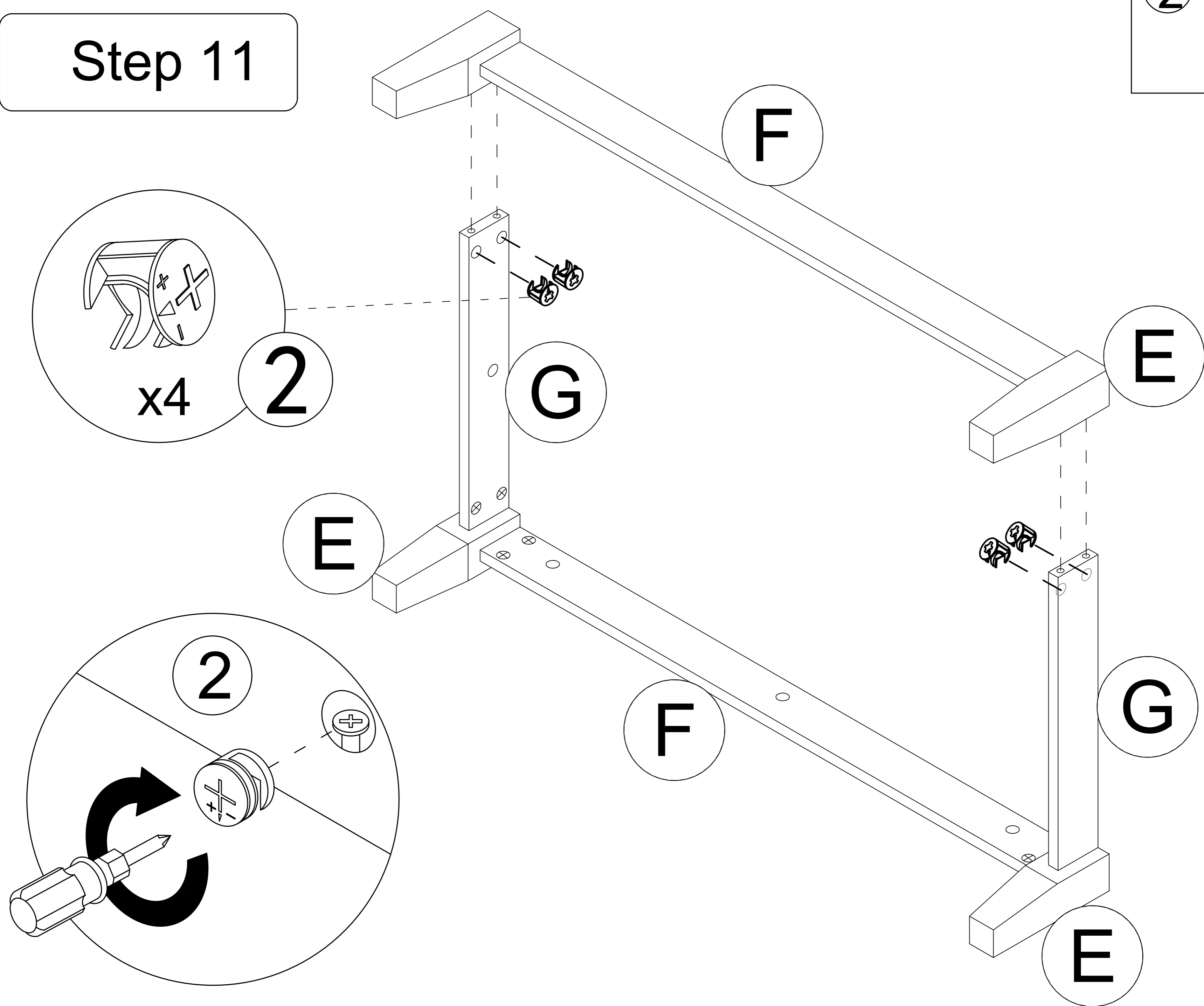
Step 10

2  x4

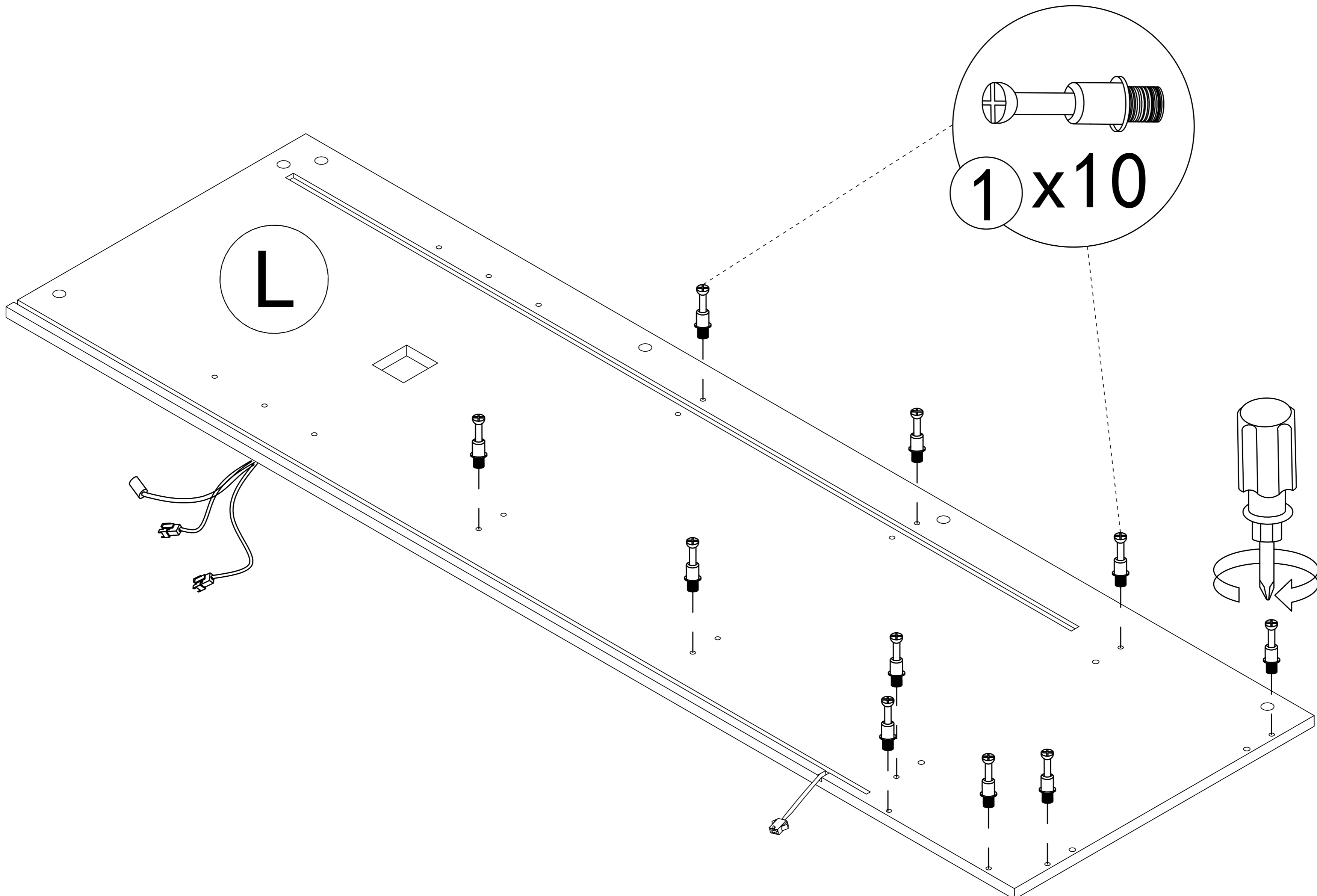
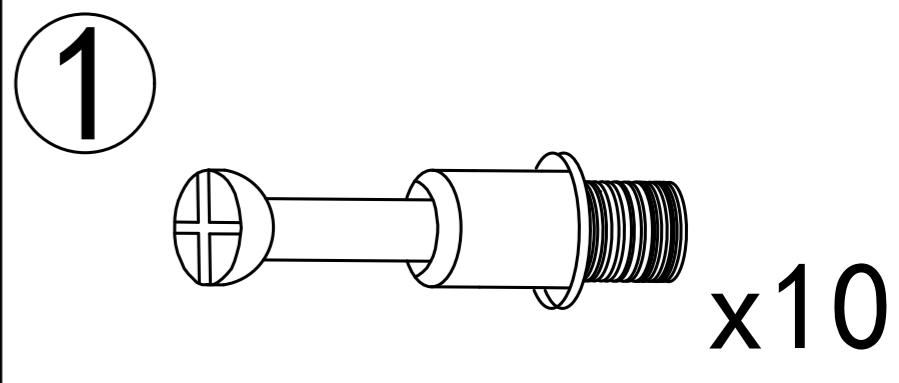


Step 11

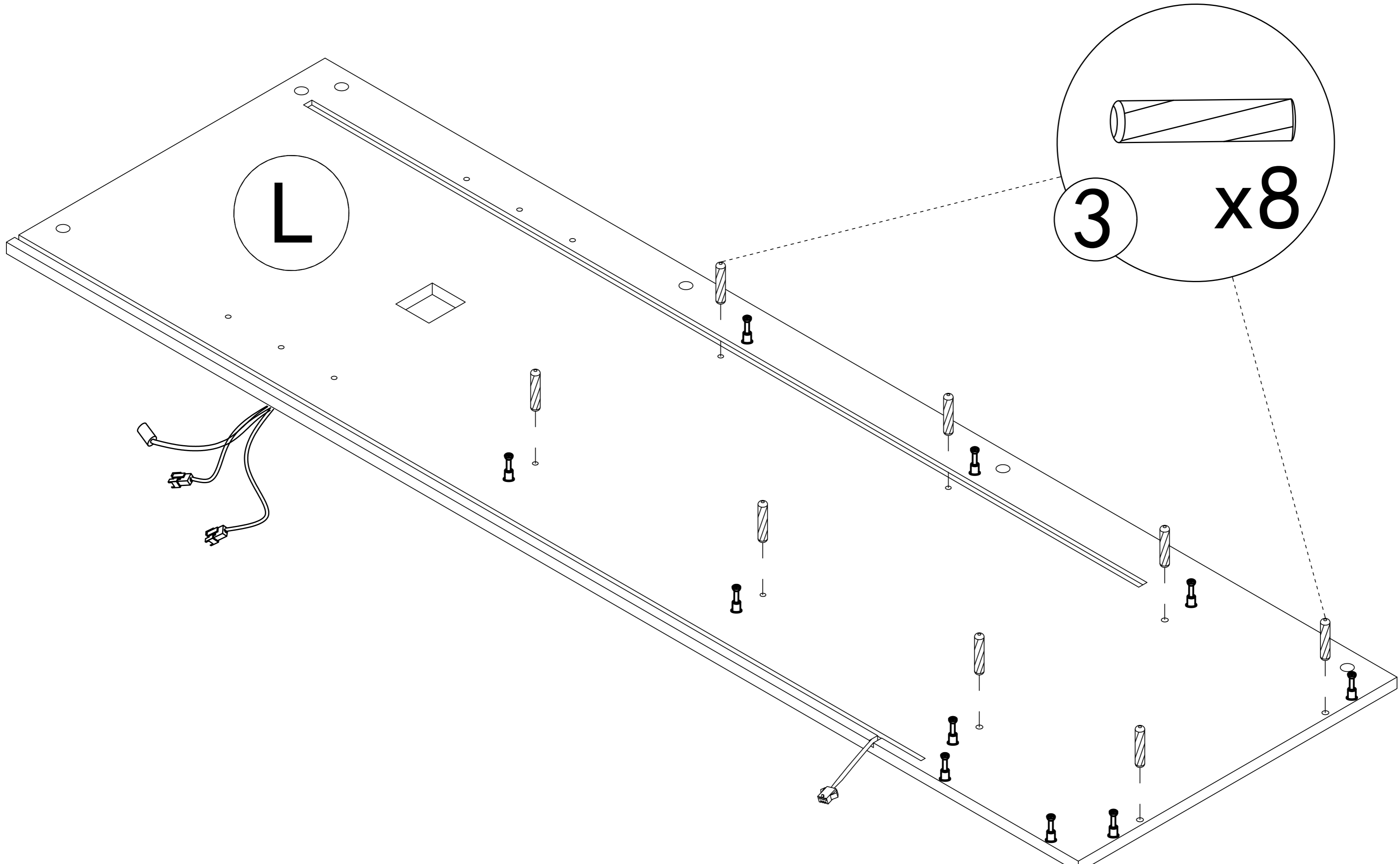
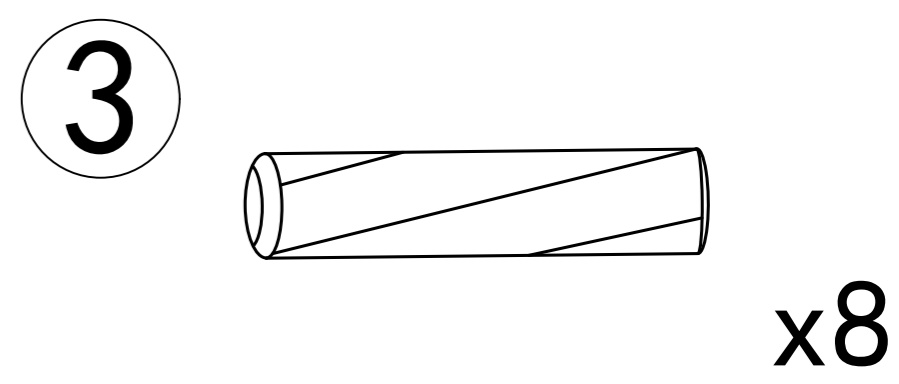
2  x4



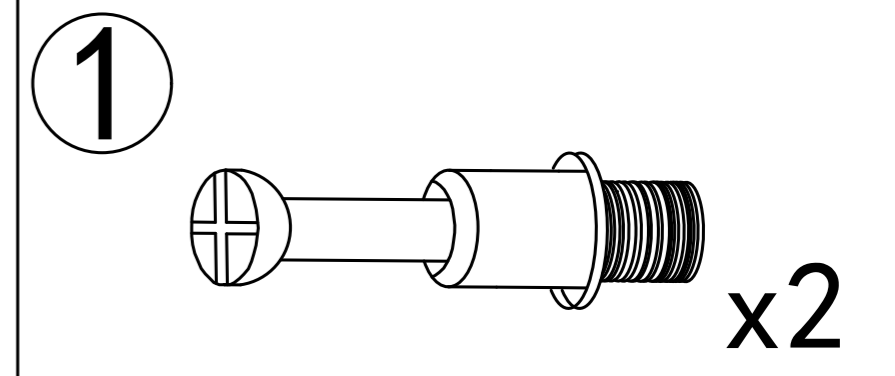
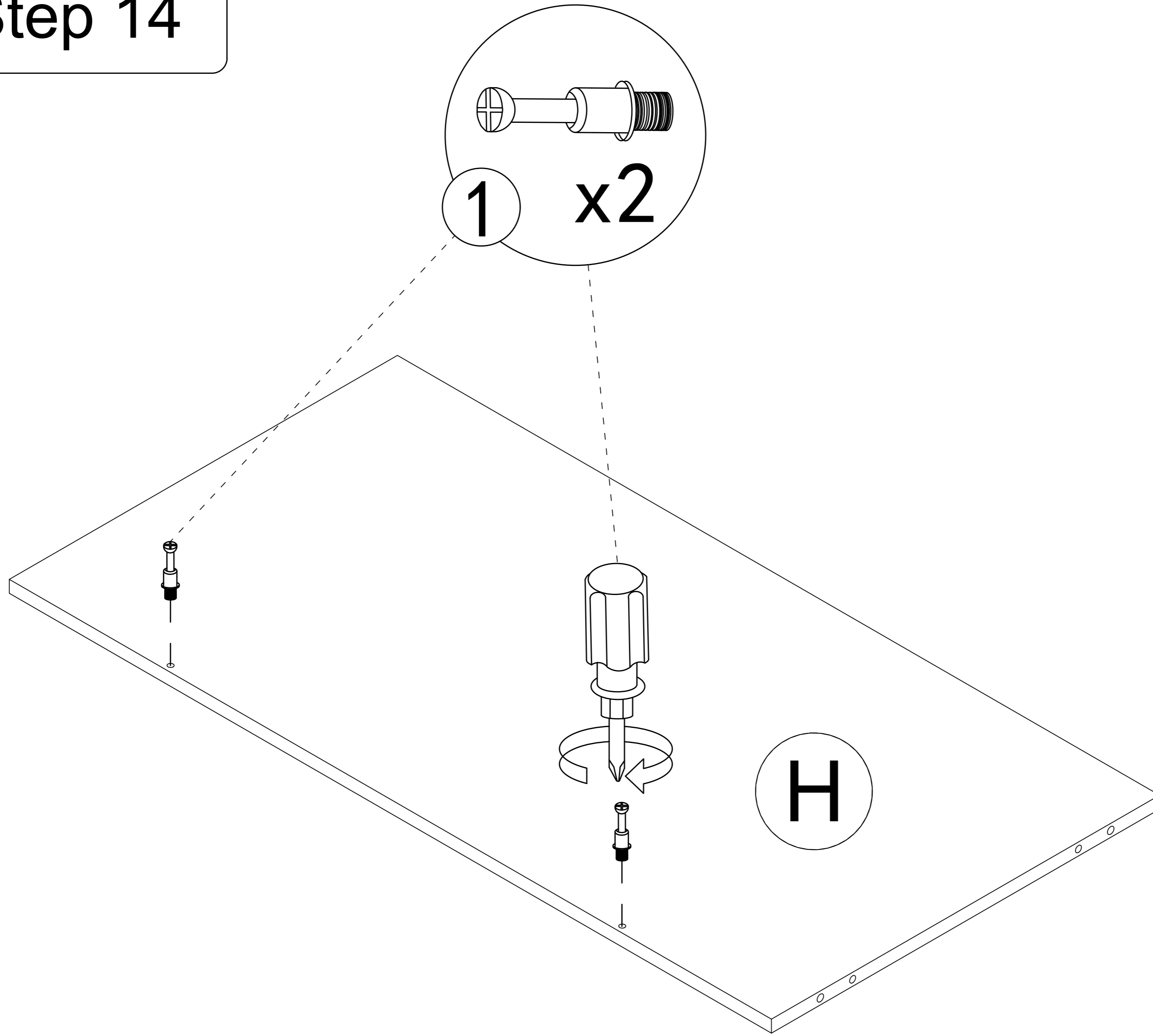
Step 12



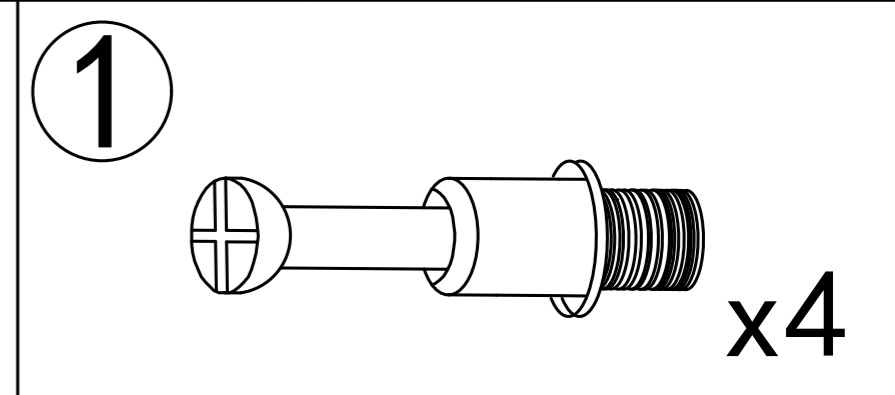
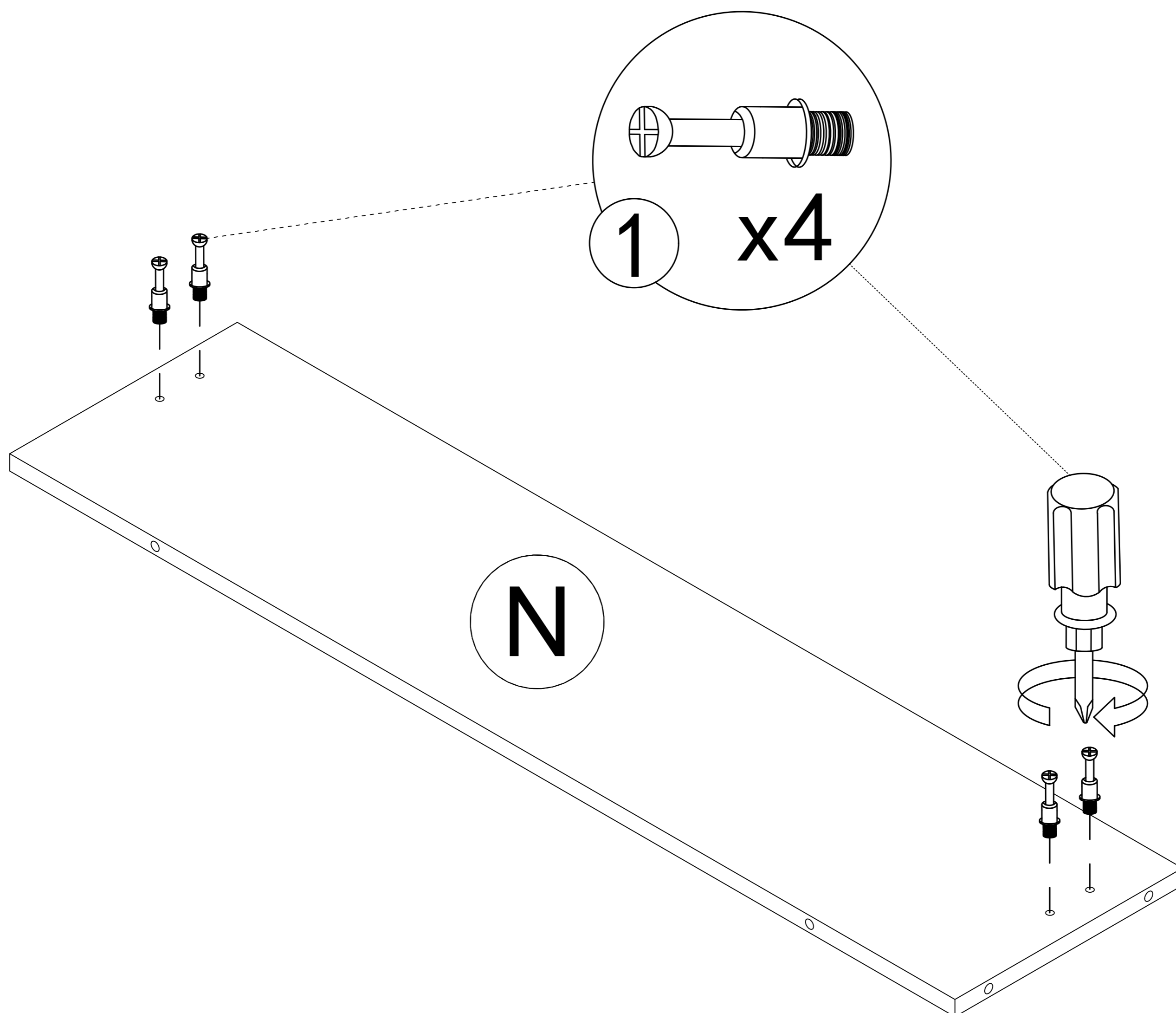
Step 13



Step 14



Step 15

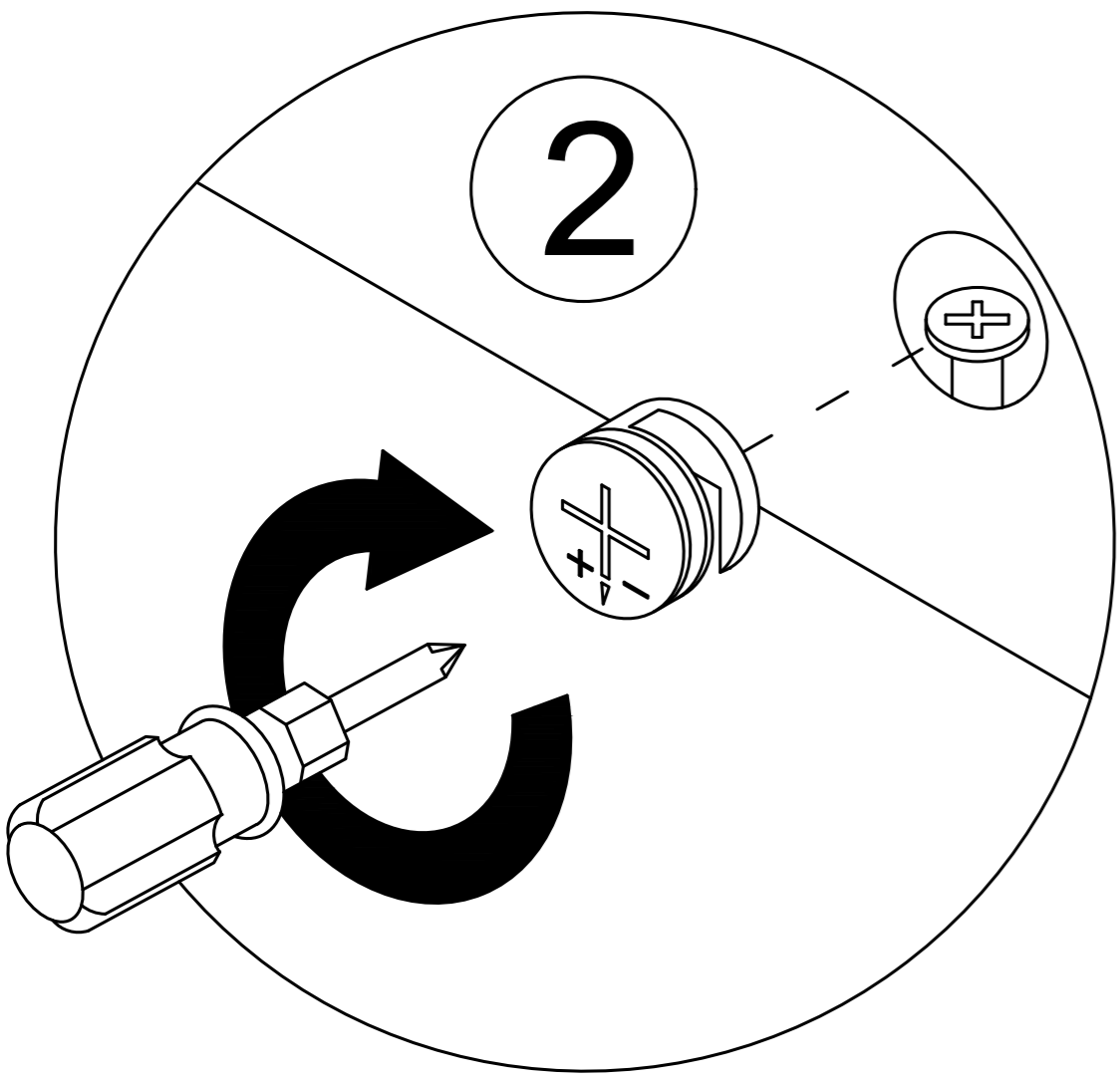
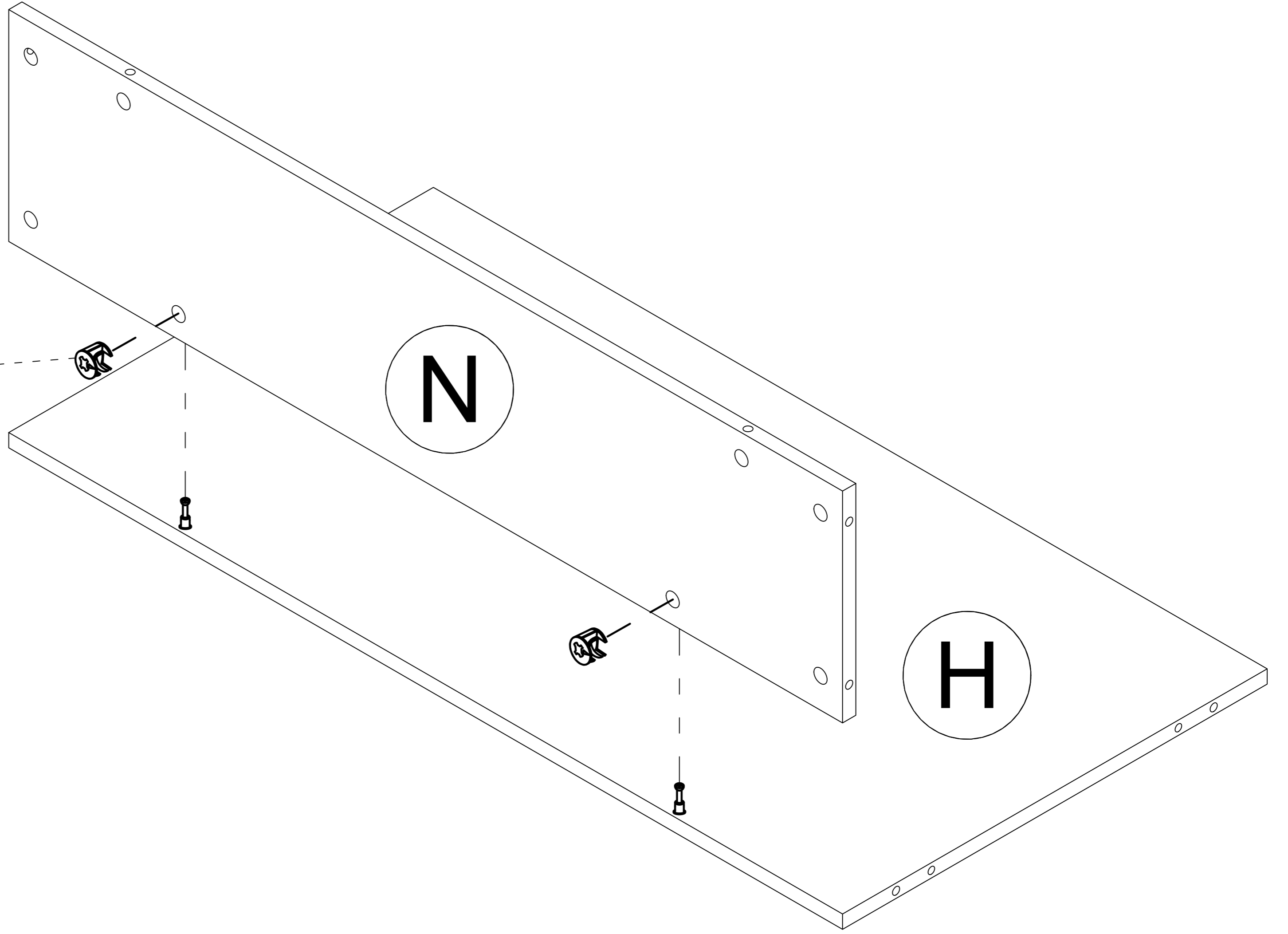
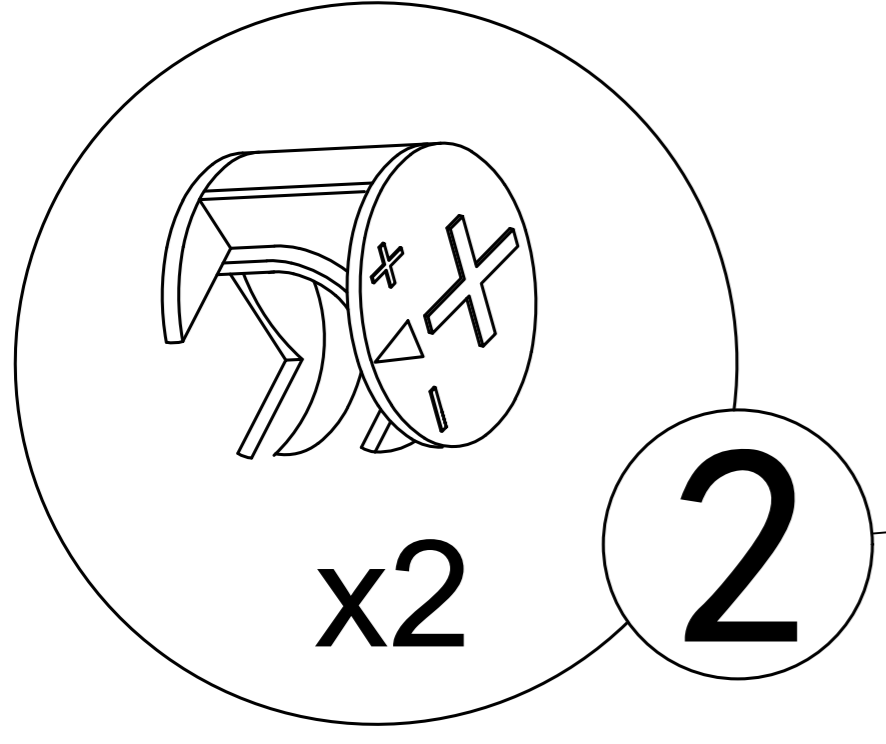


Step 16

2

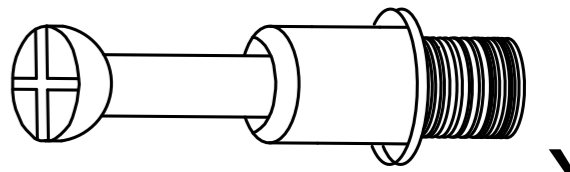


x2

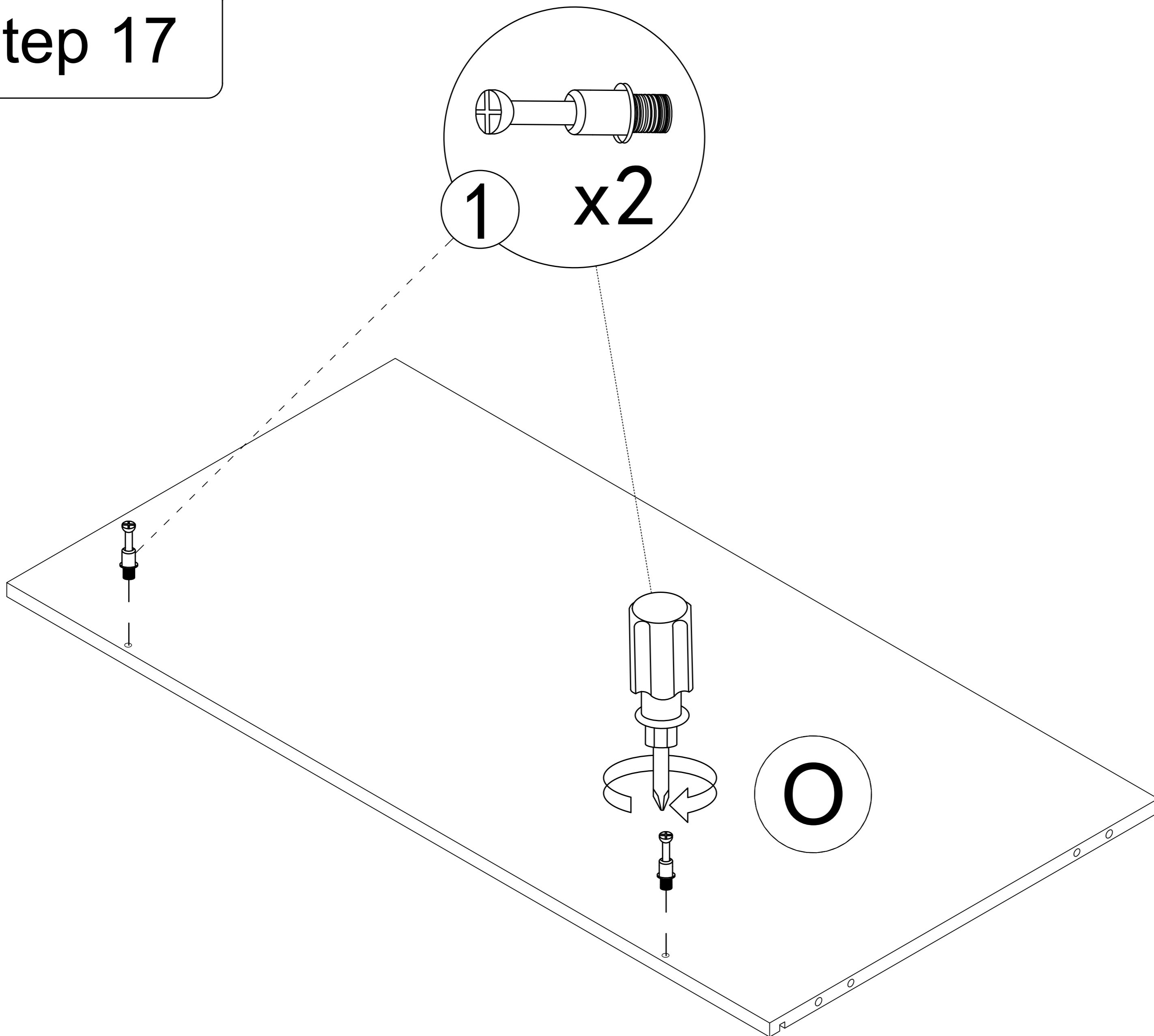
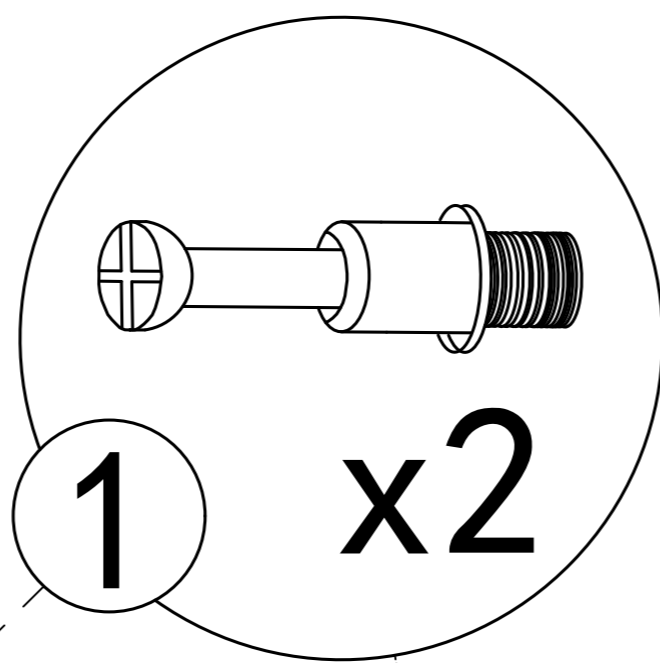


Step 17


1

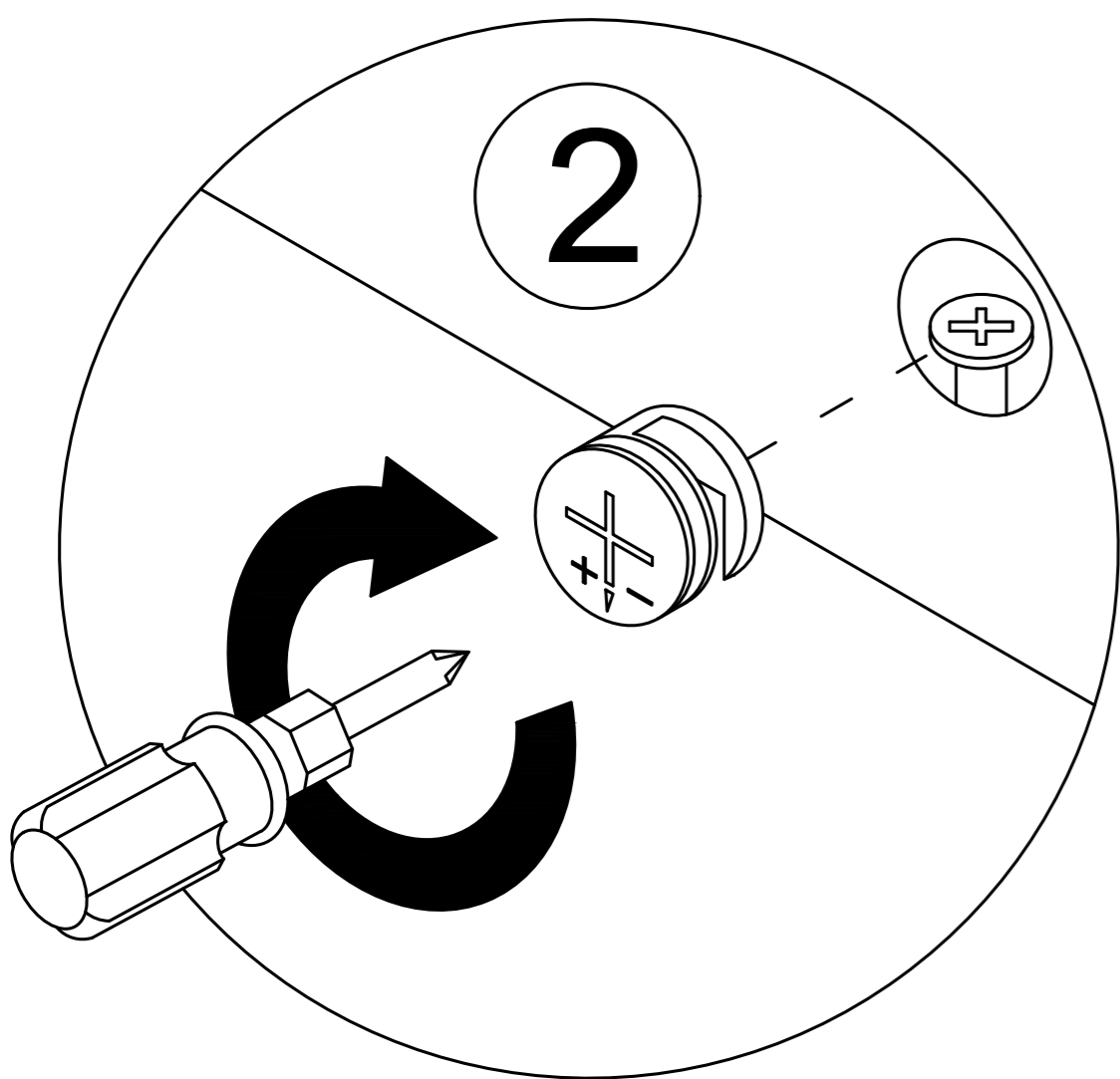
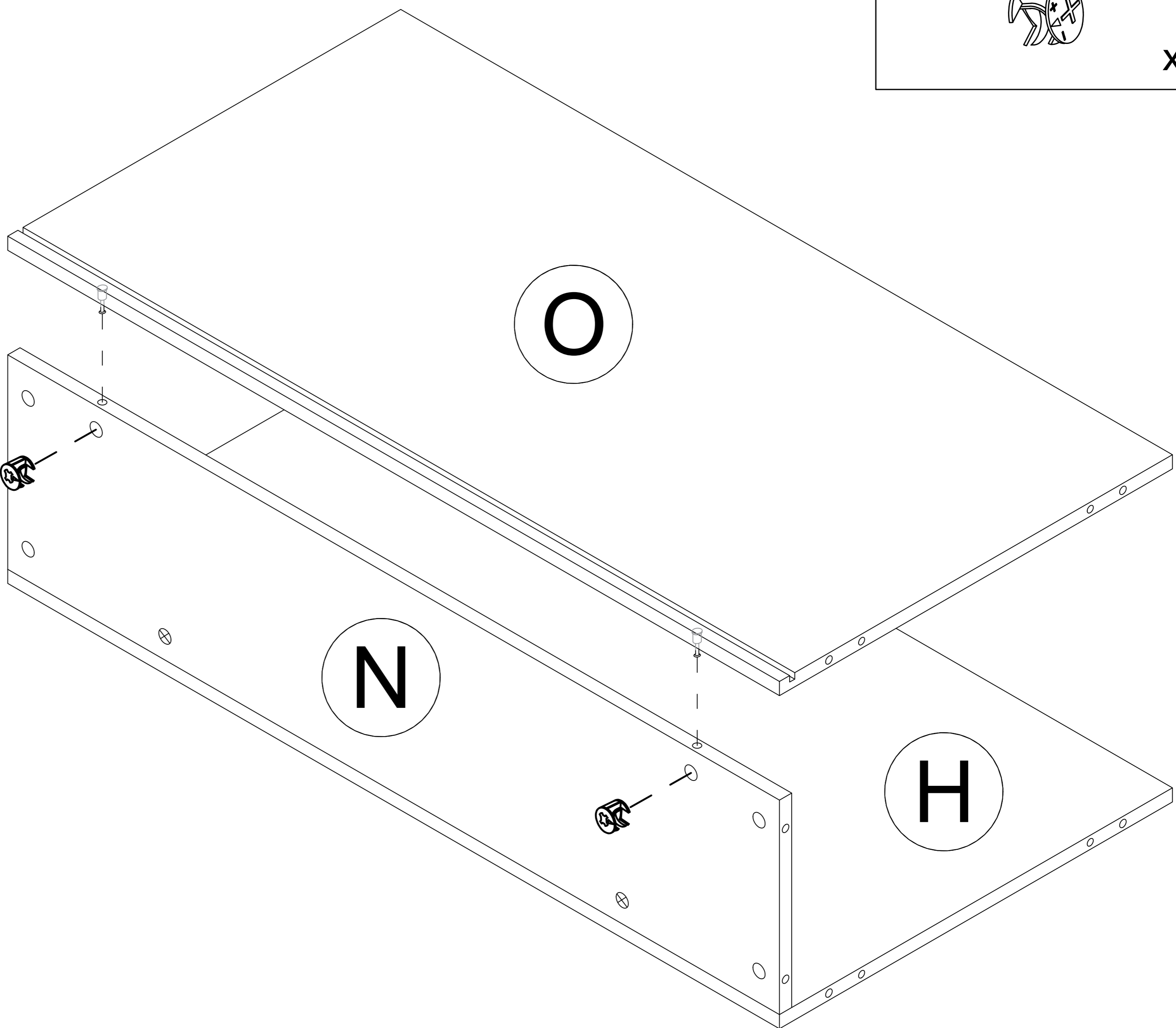
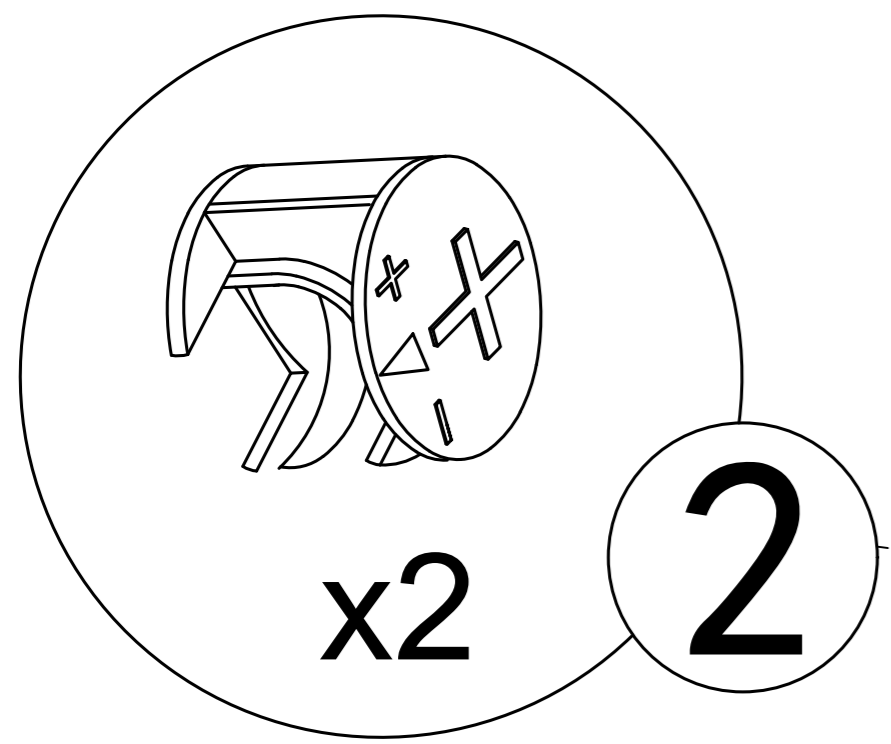


x2




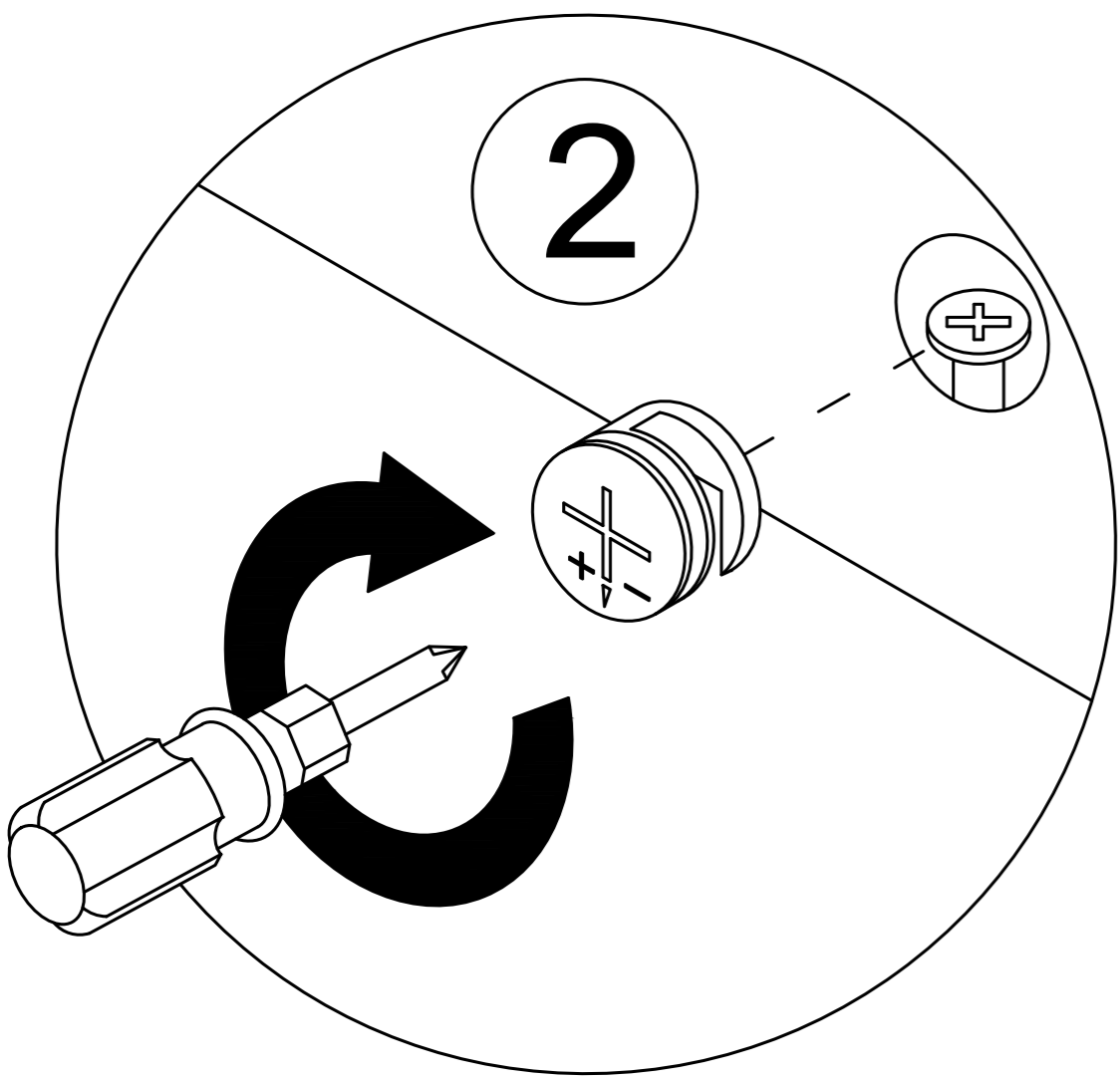
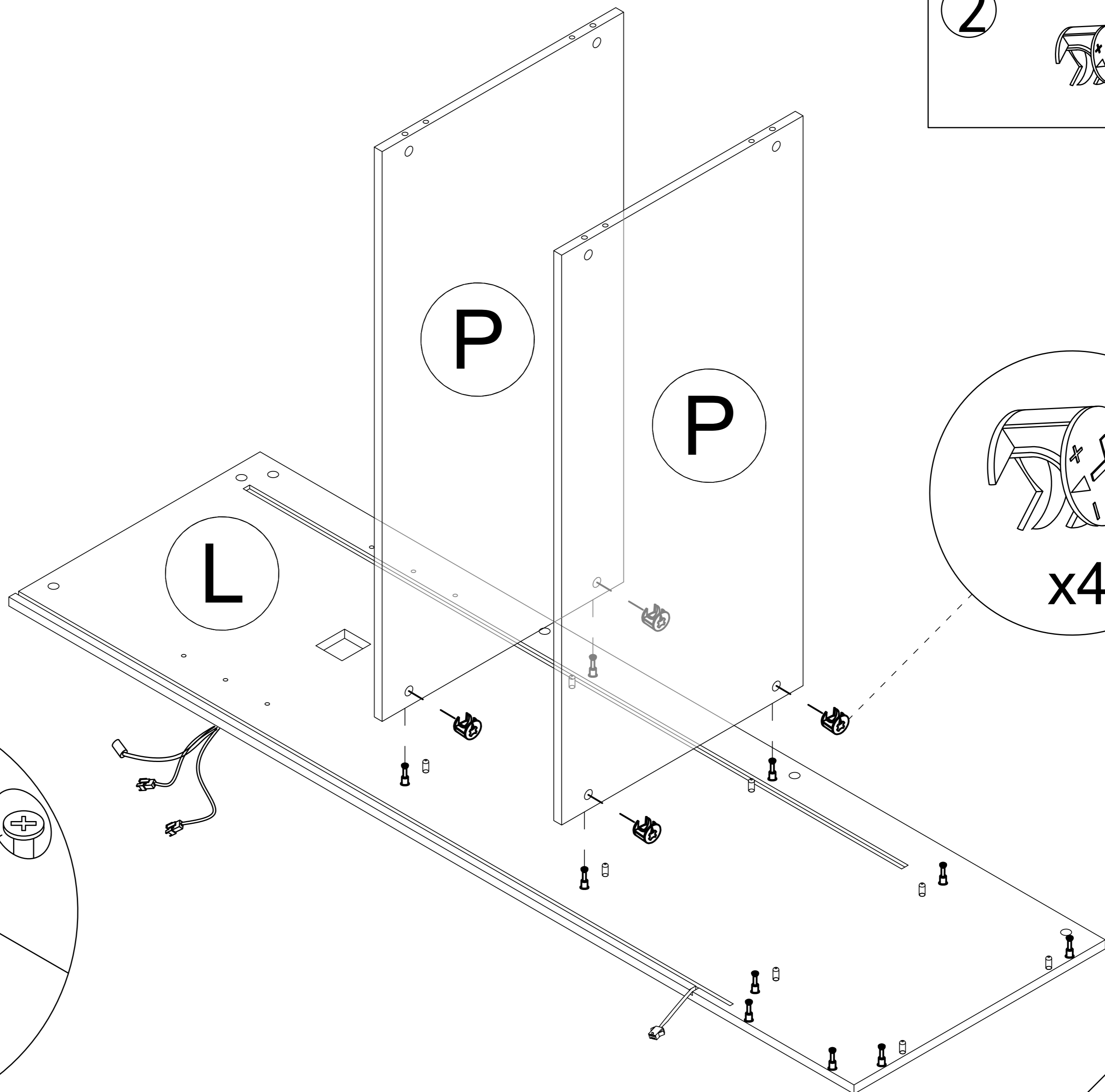
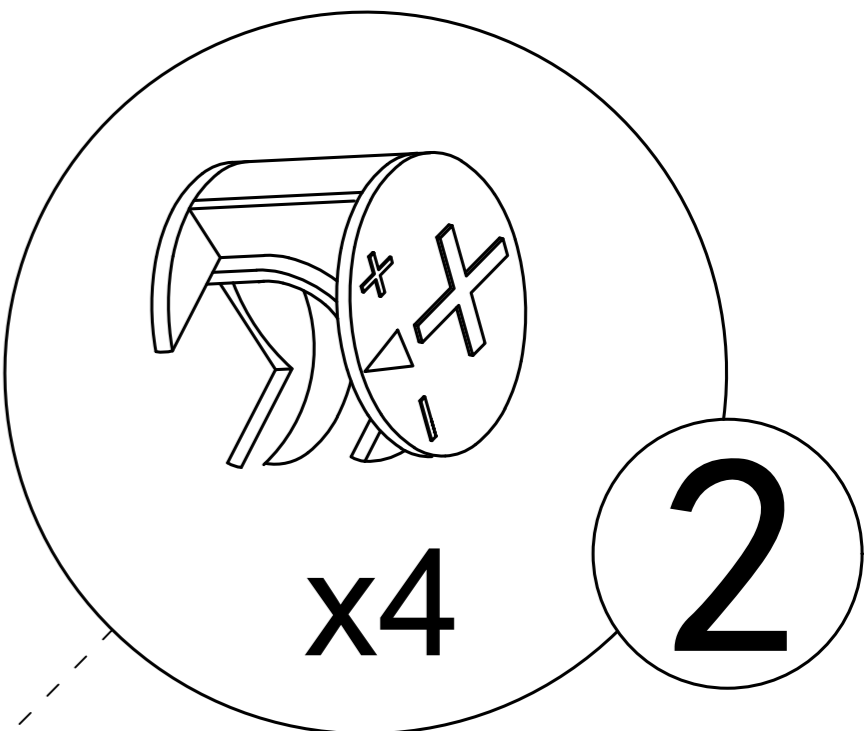
Step 18

2  x2




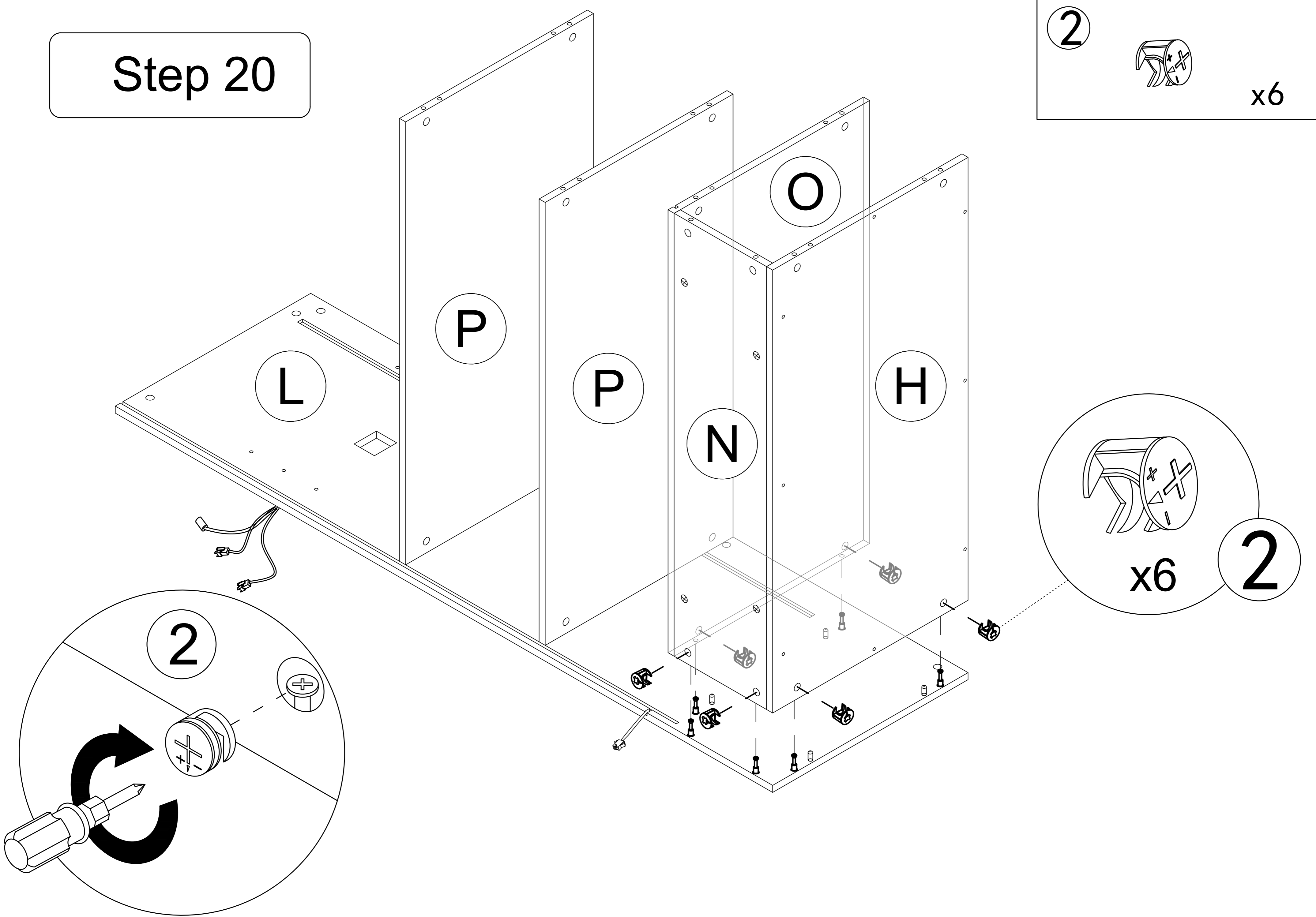
Step 19

2  x4

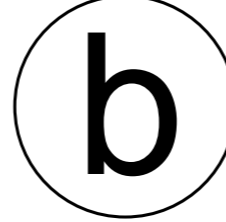
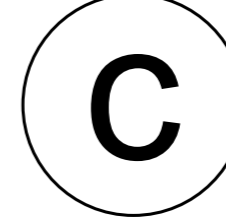

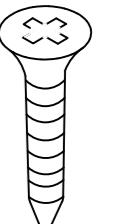


Step 20

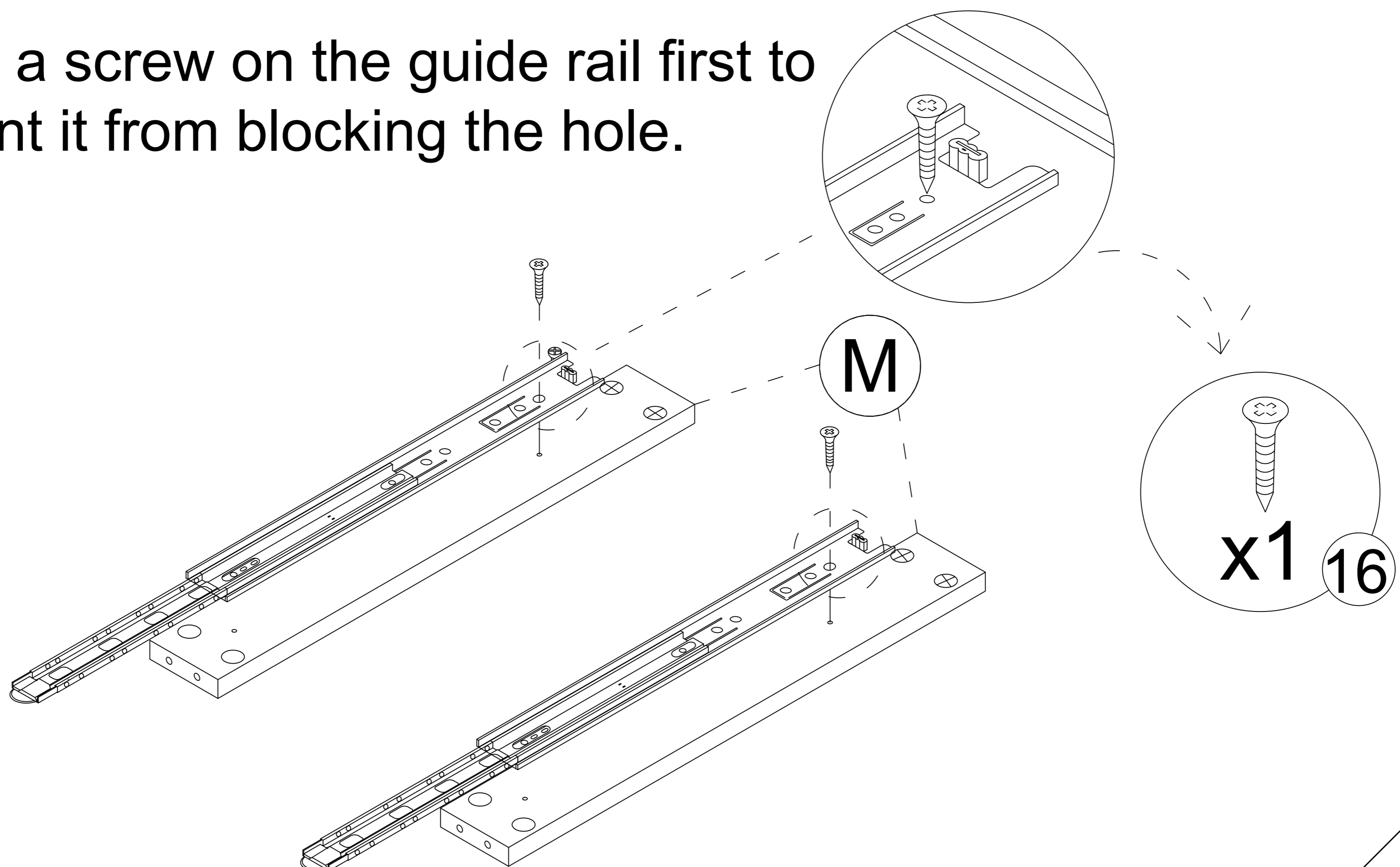
2  x6




Step 21

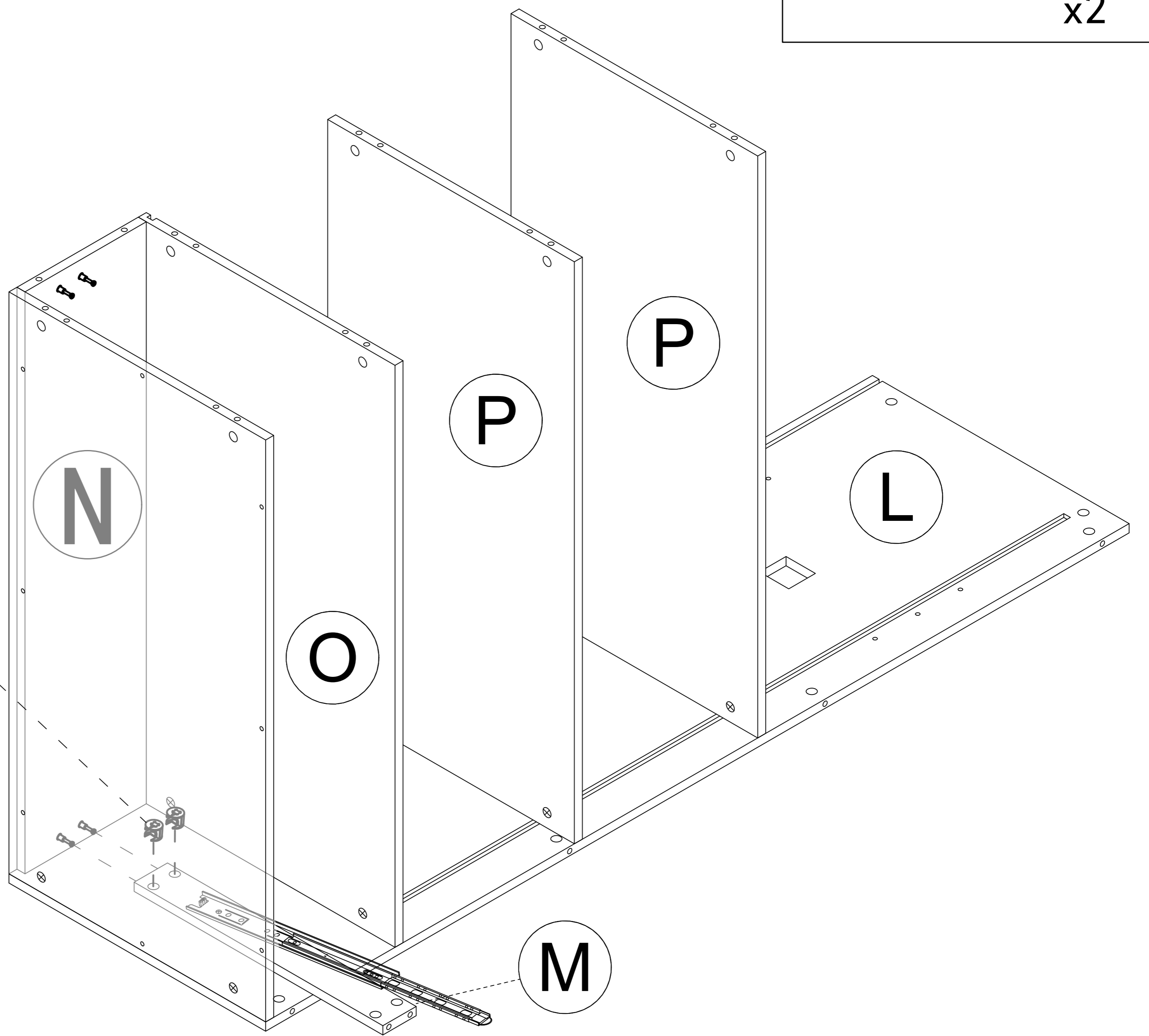
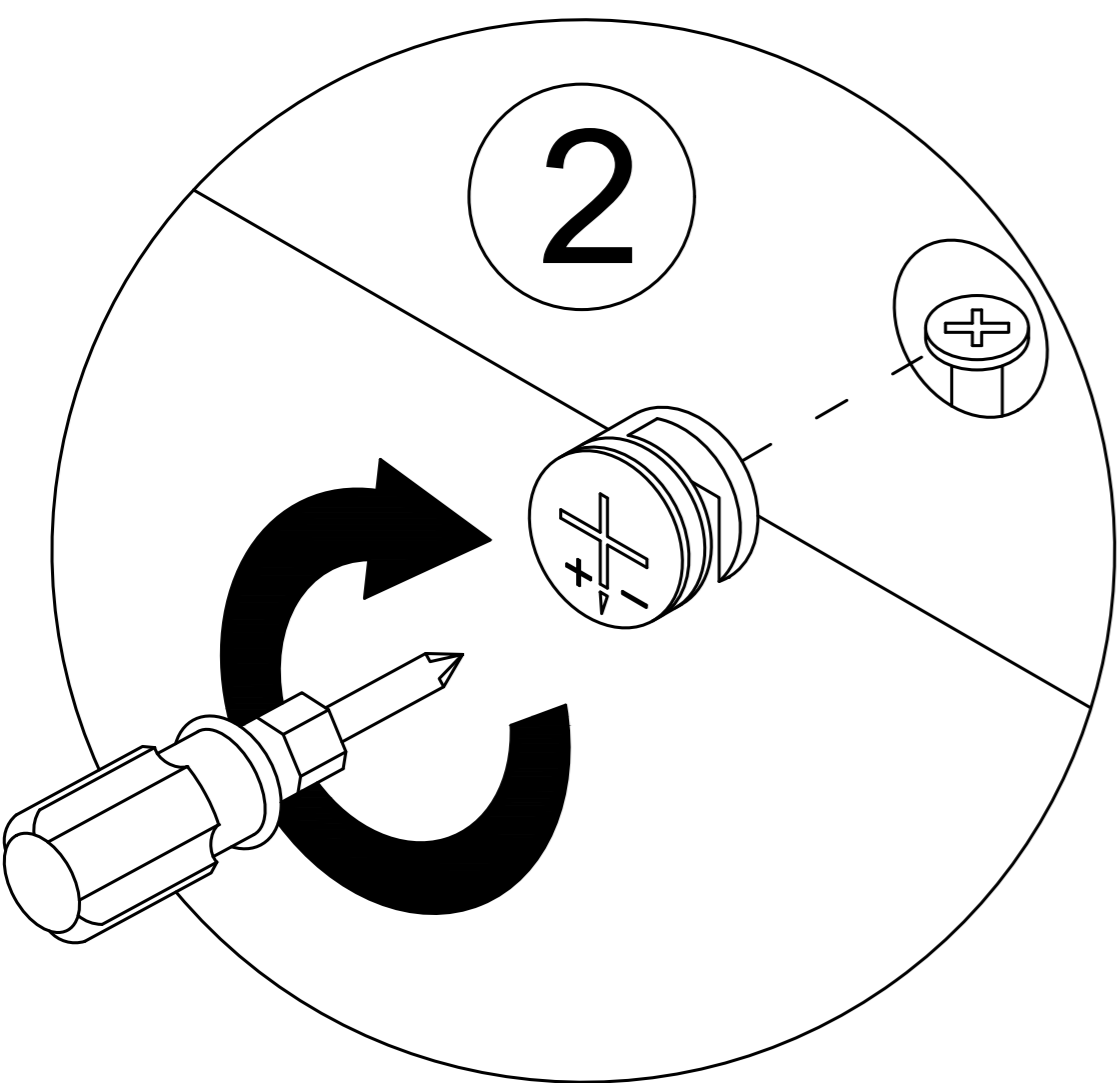
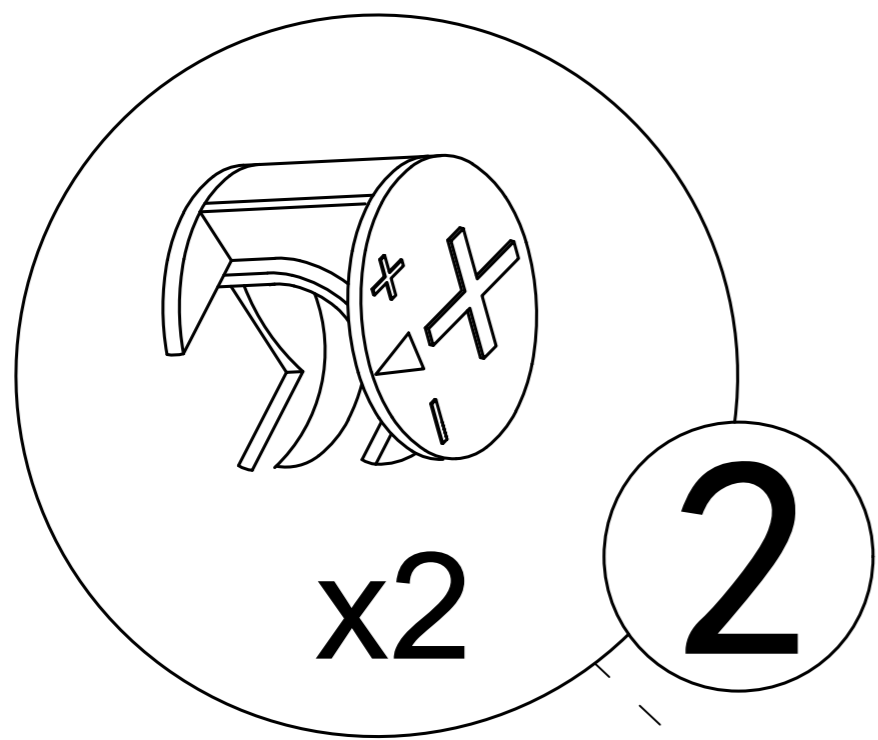
16    x2  x2

Install a screw on the guide rail first to prevent it from blocking the hole.

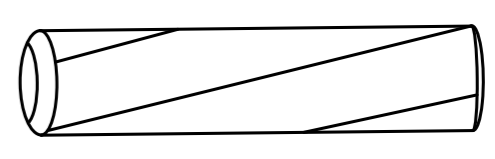


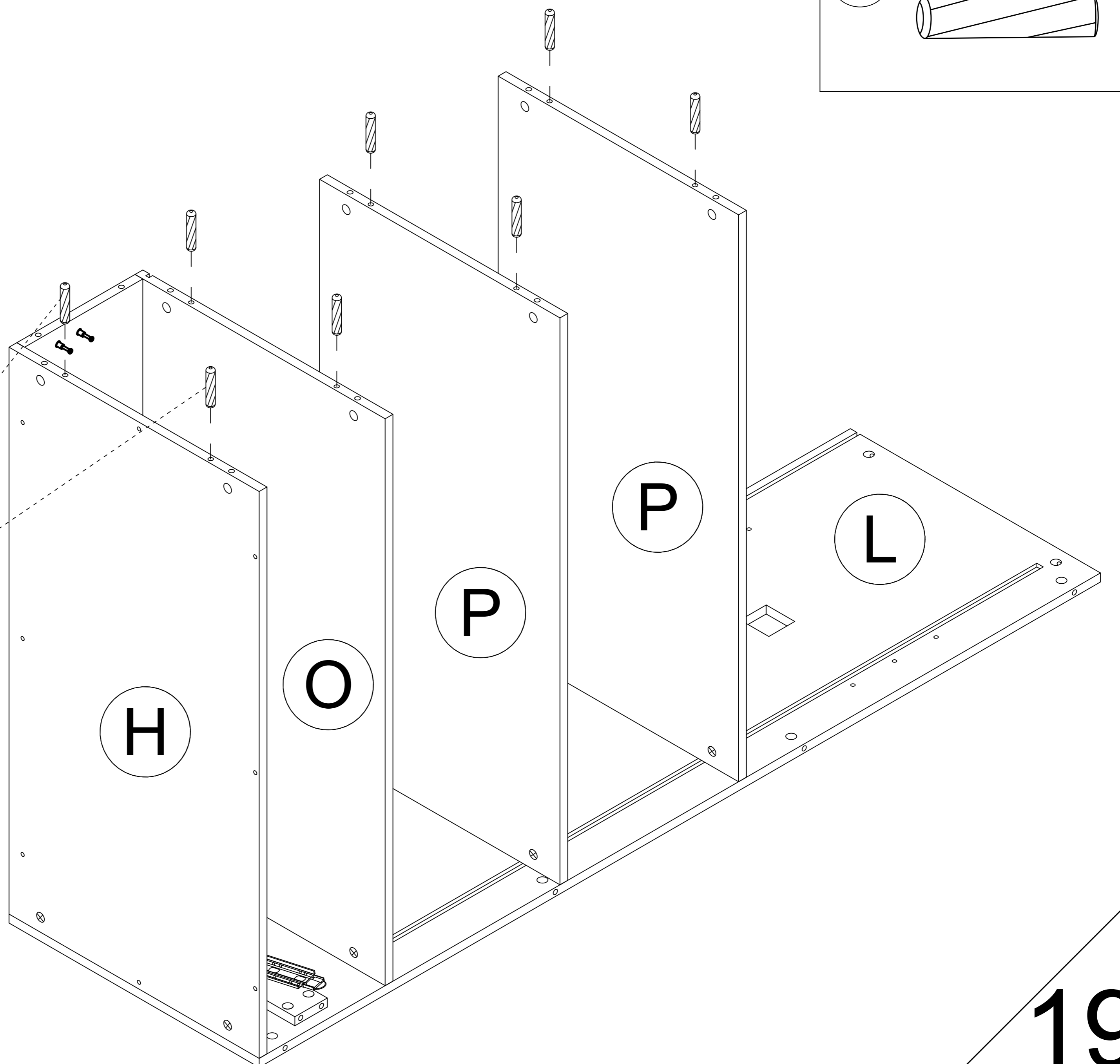
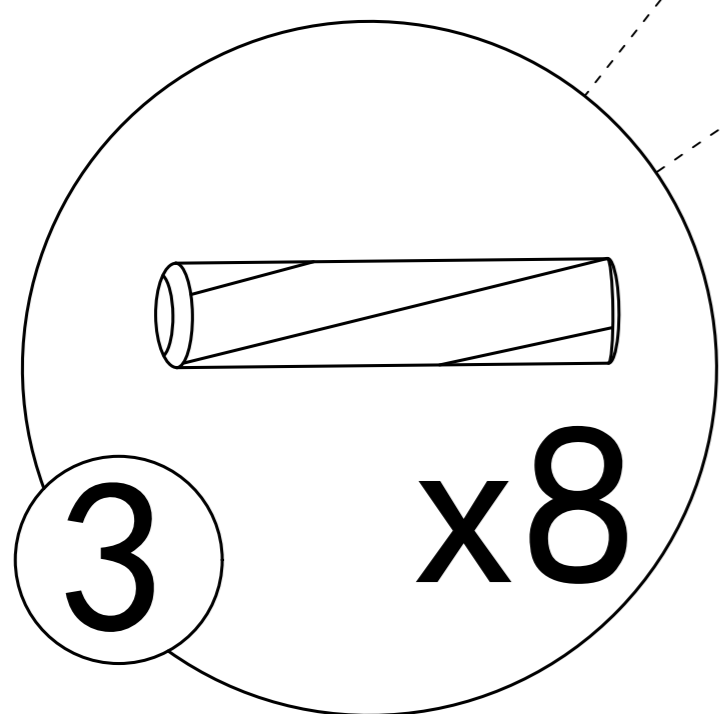
Step 22

2  x2

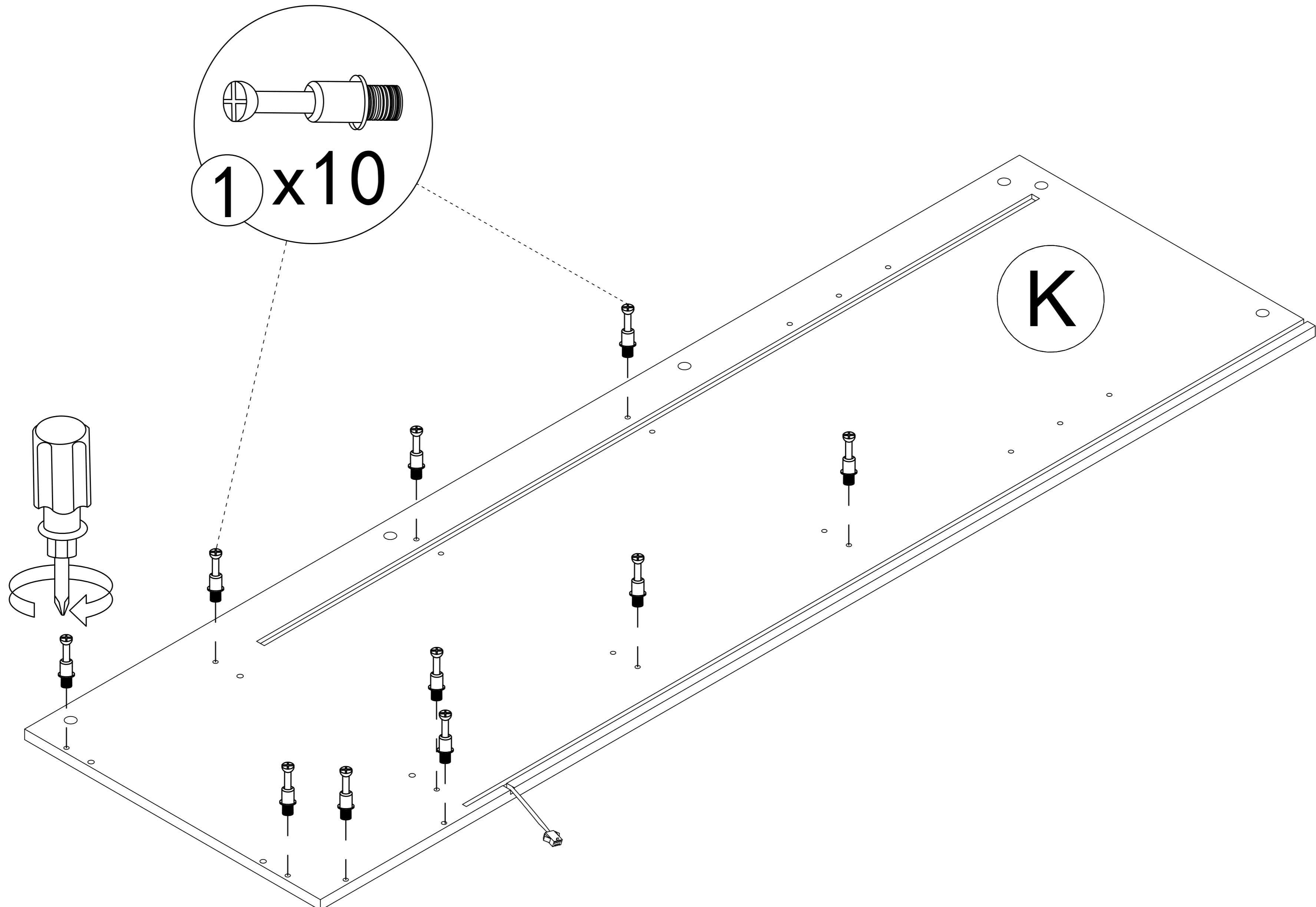
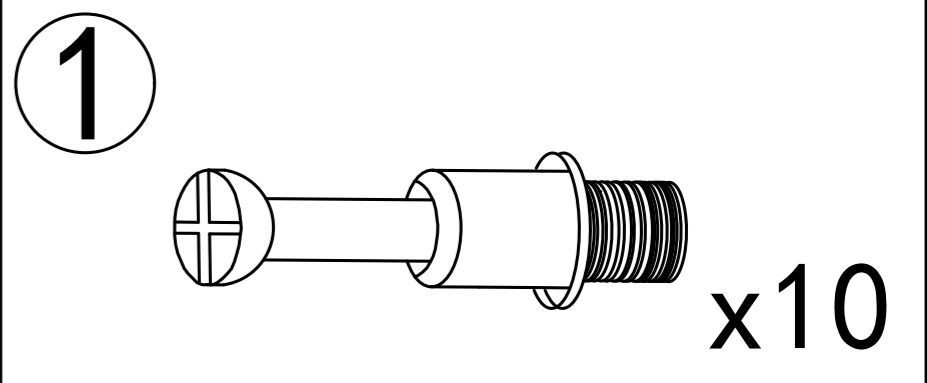


Step 23

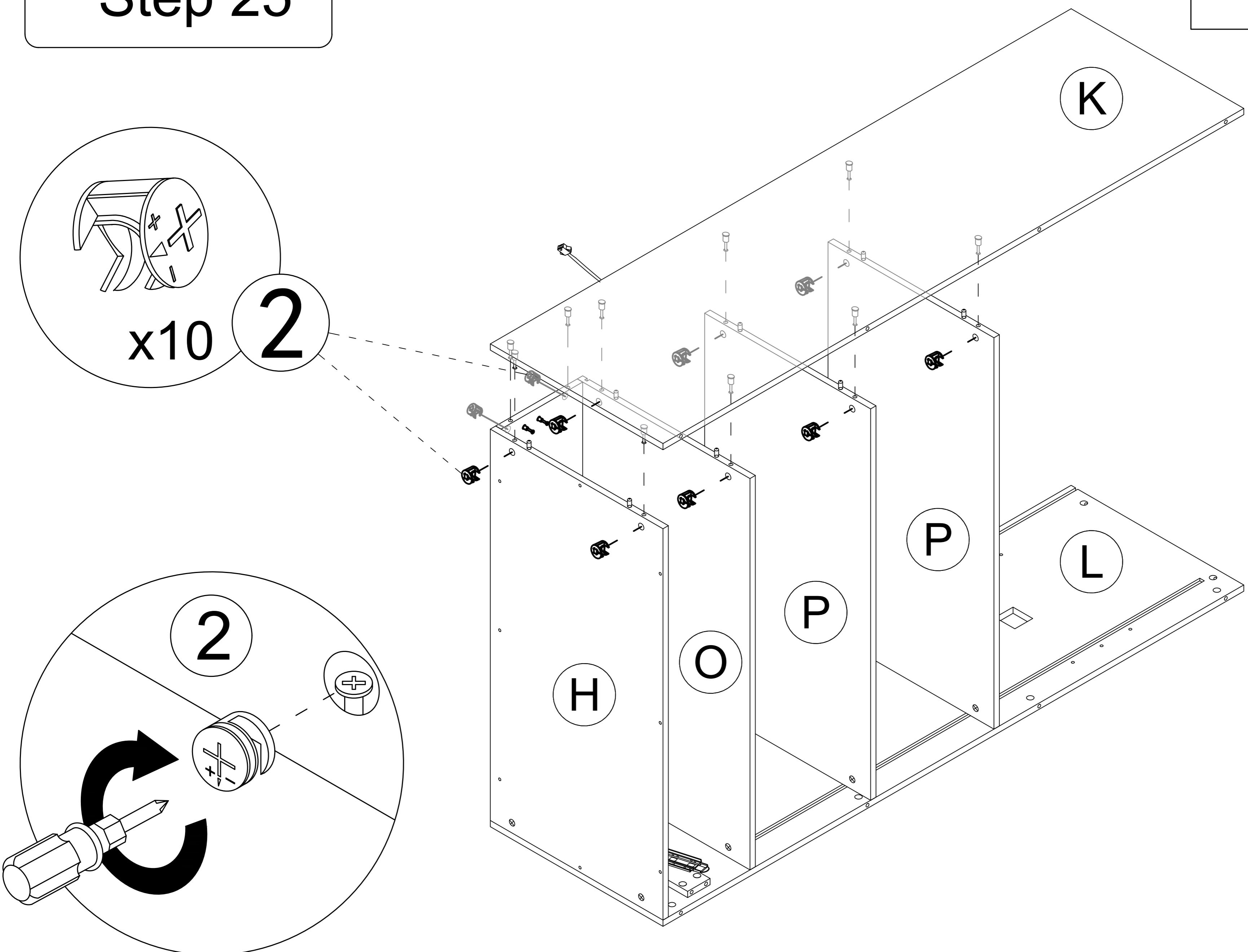
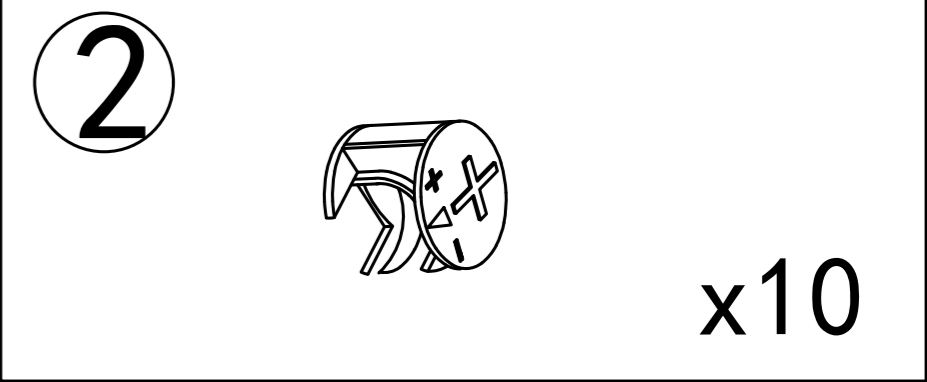
3  x8



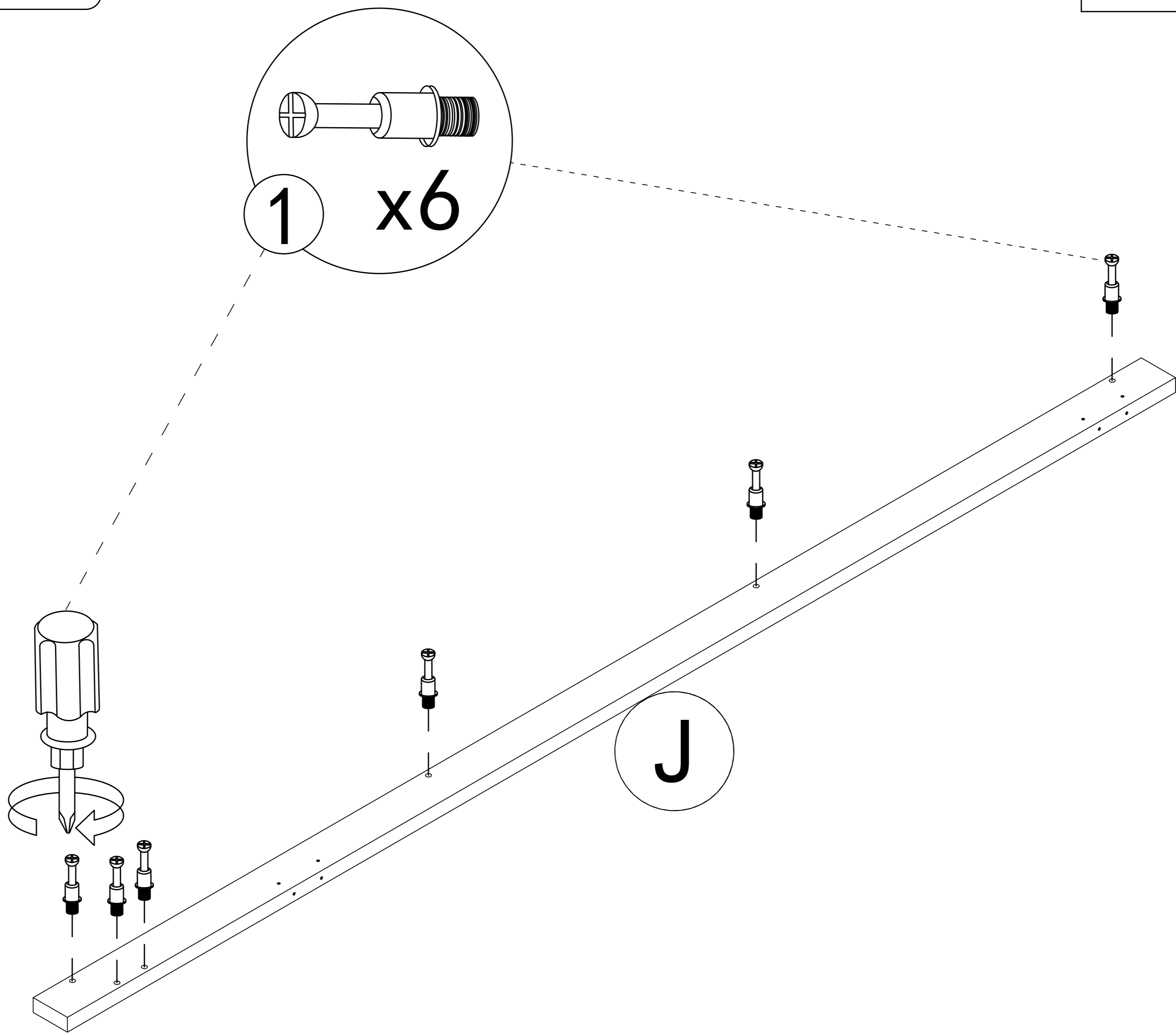
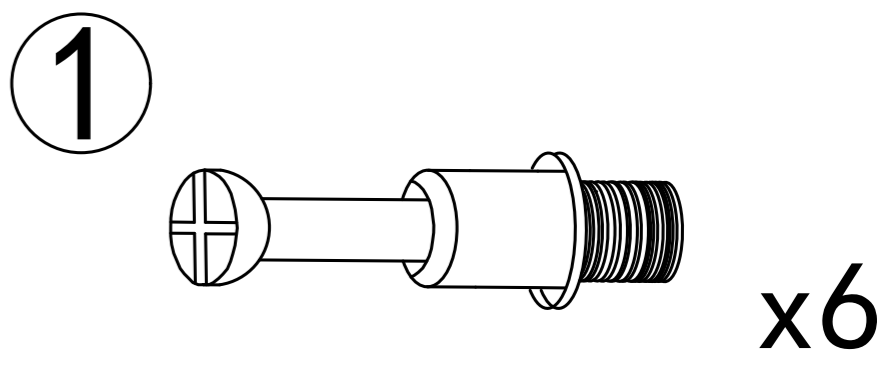
Step 24



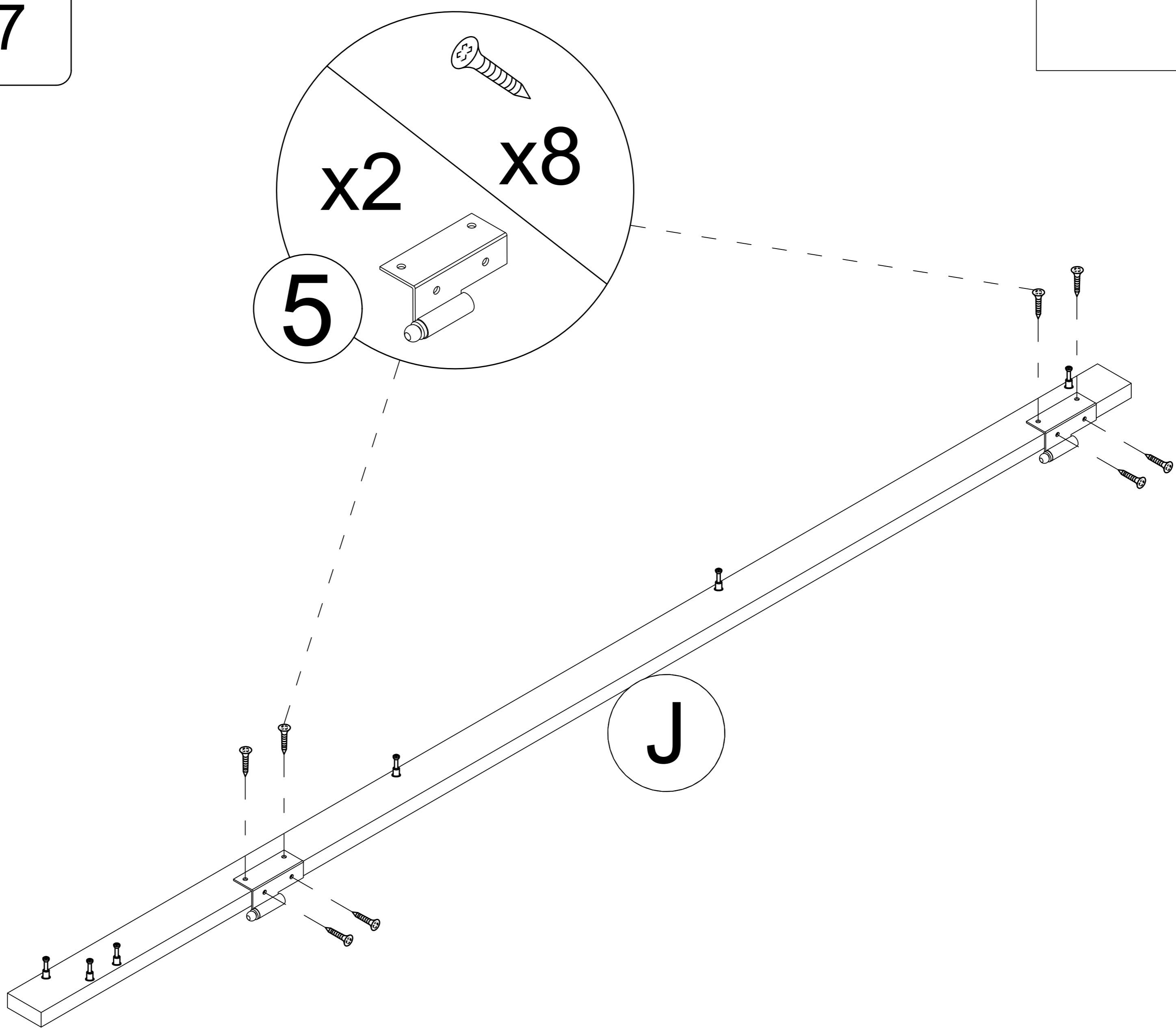
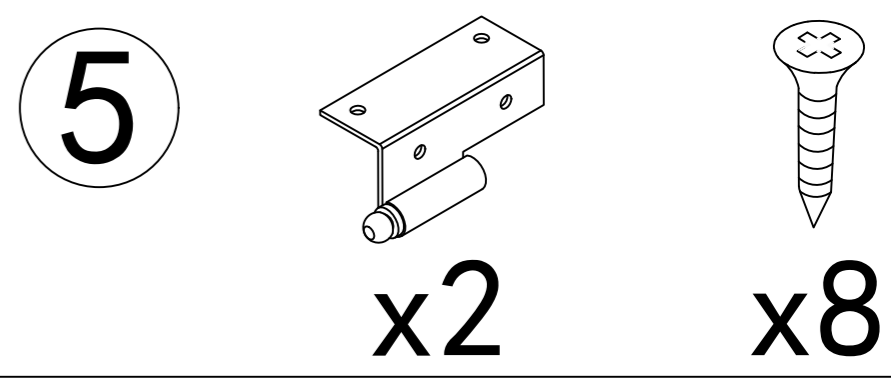
Step 25



Step 26

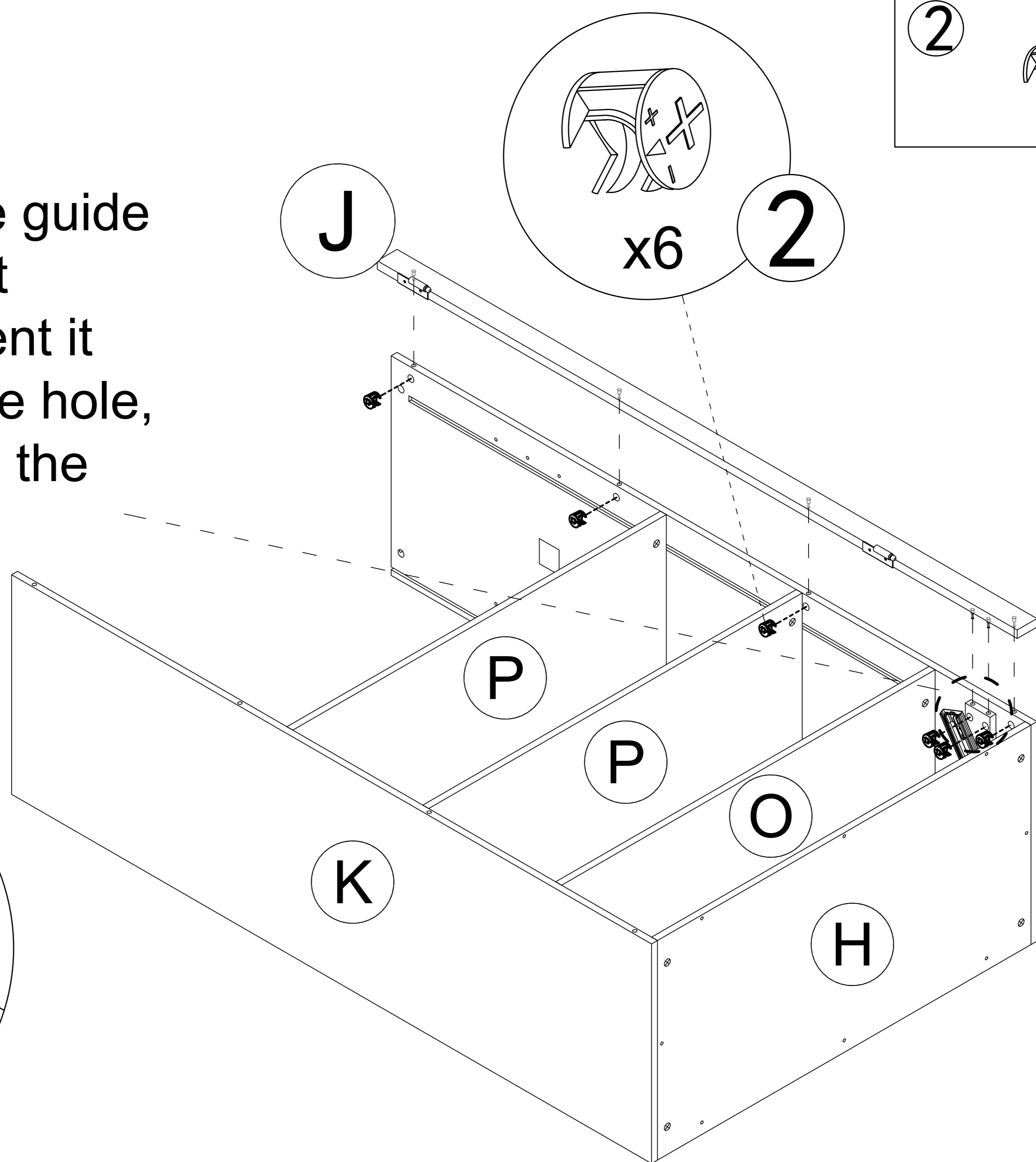
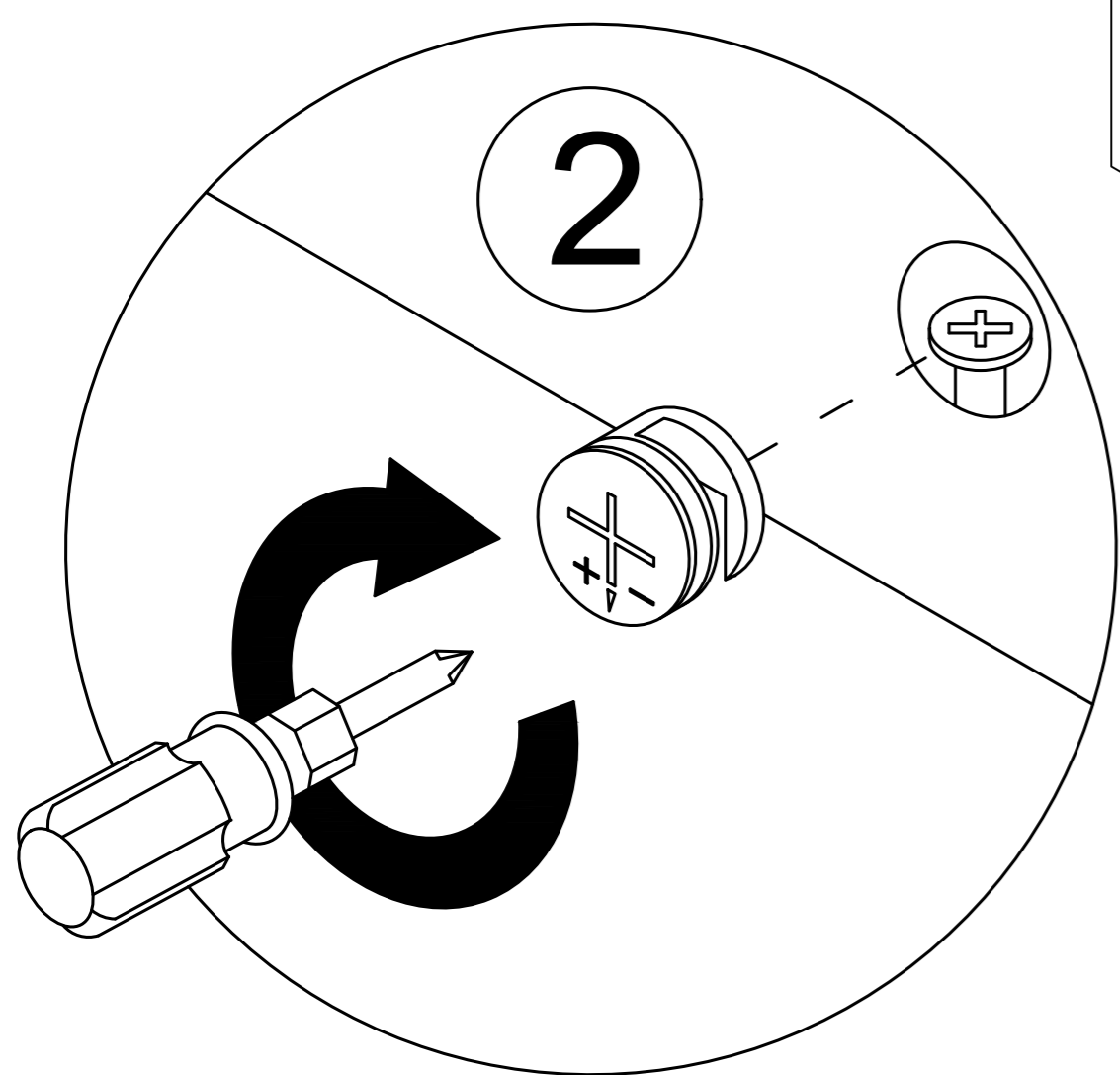


Step 27



Step 28

Firstly, move the guide rail to the vacant position to prevent it from blocking the hole, and then tighten the two in one nut.



2



x6

J

x6

2

P

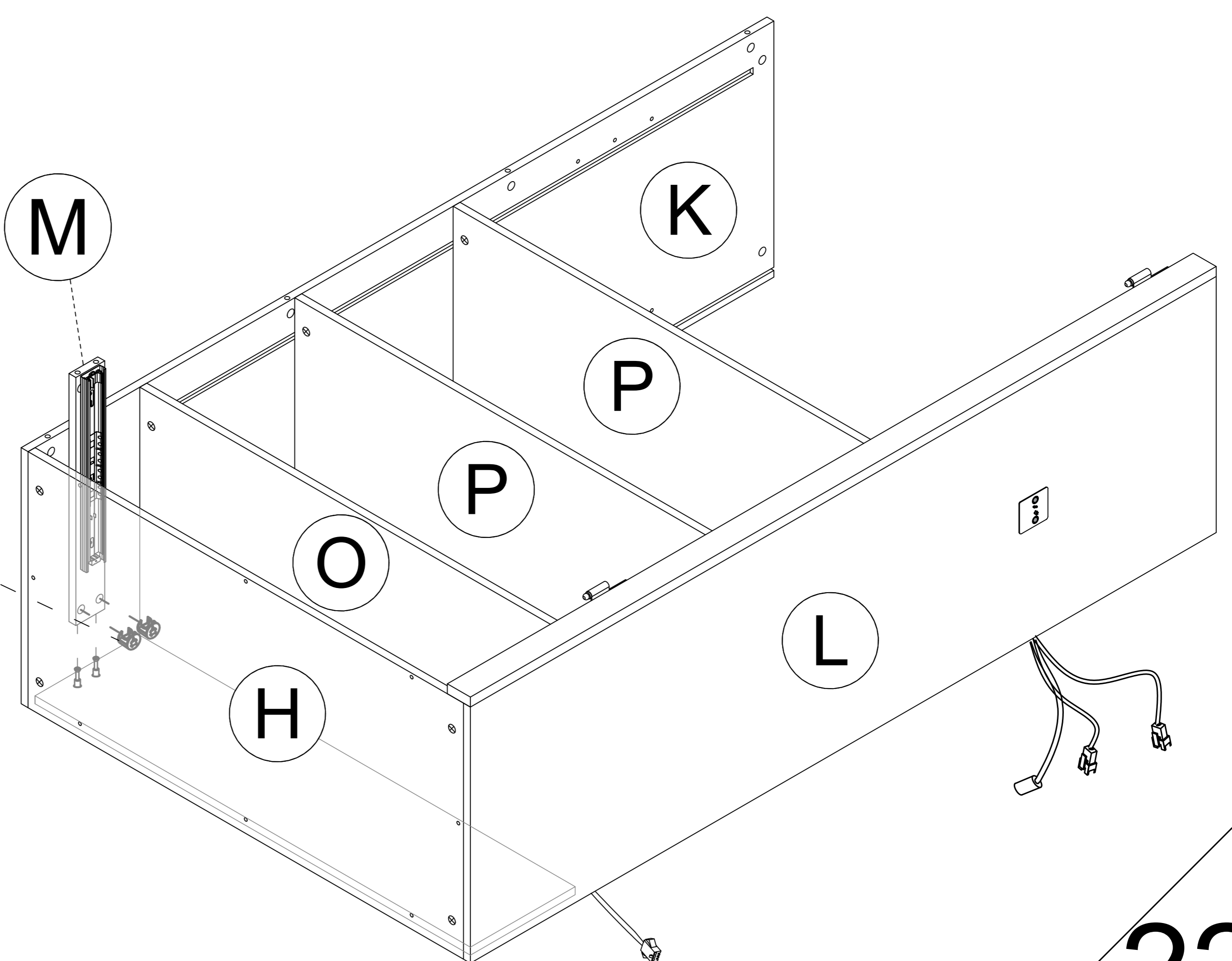
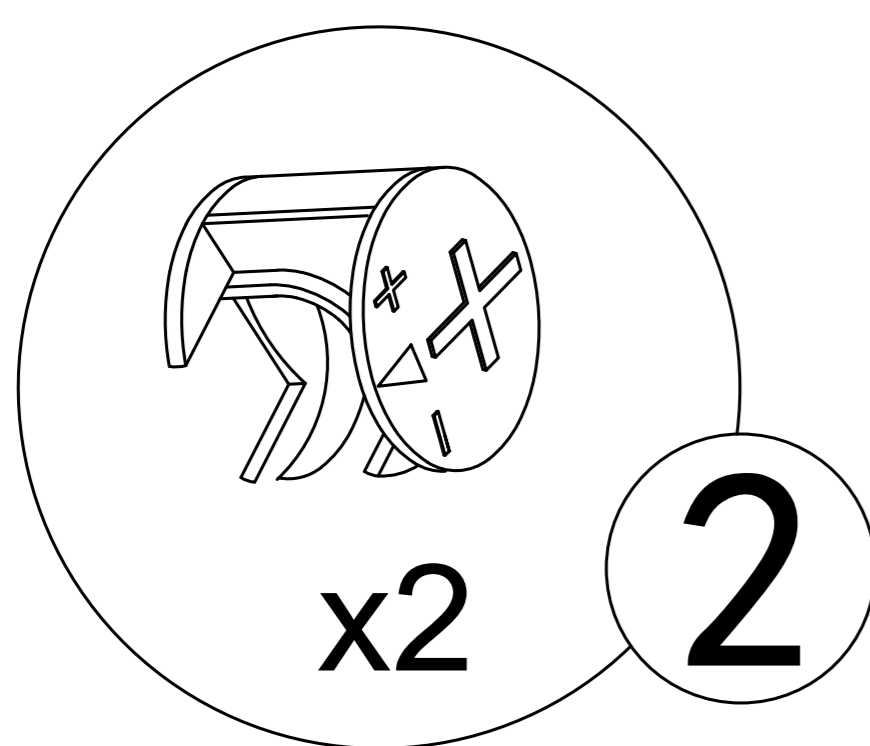
P

O

K

H

Step 29



2



x2

M

K

x2

2

P

P

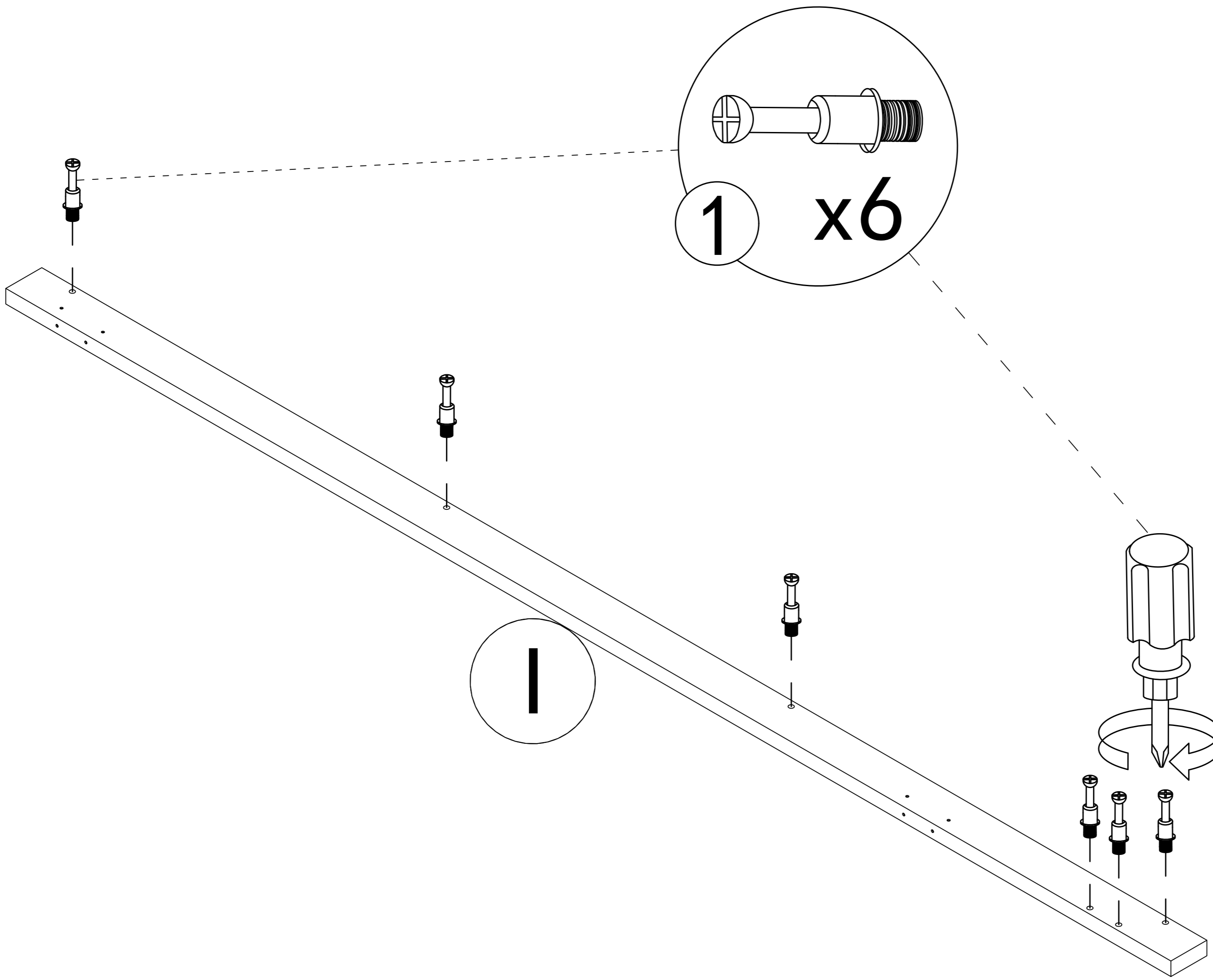
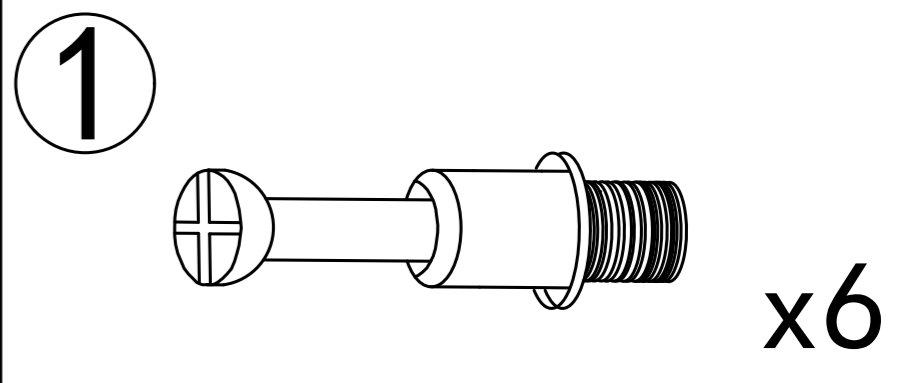
O

H

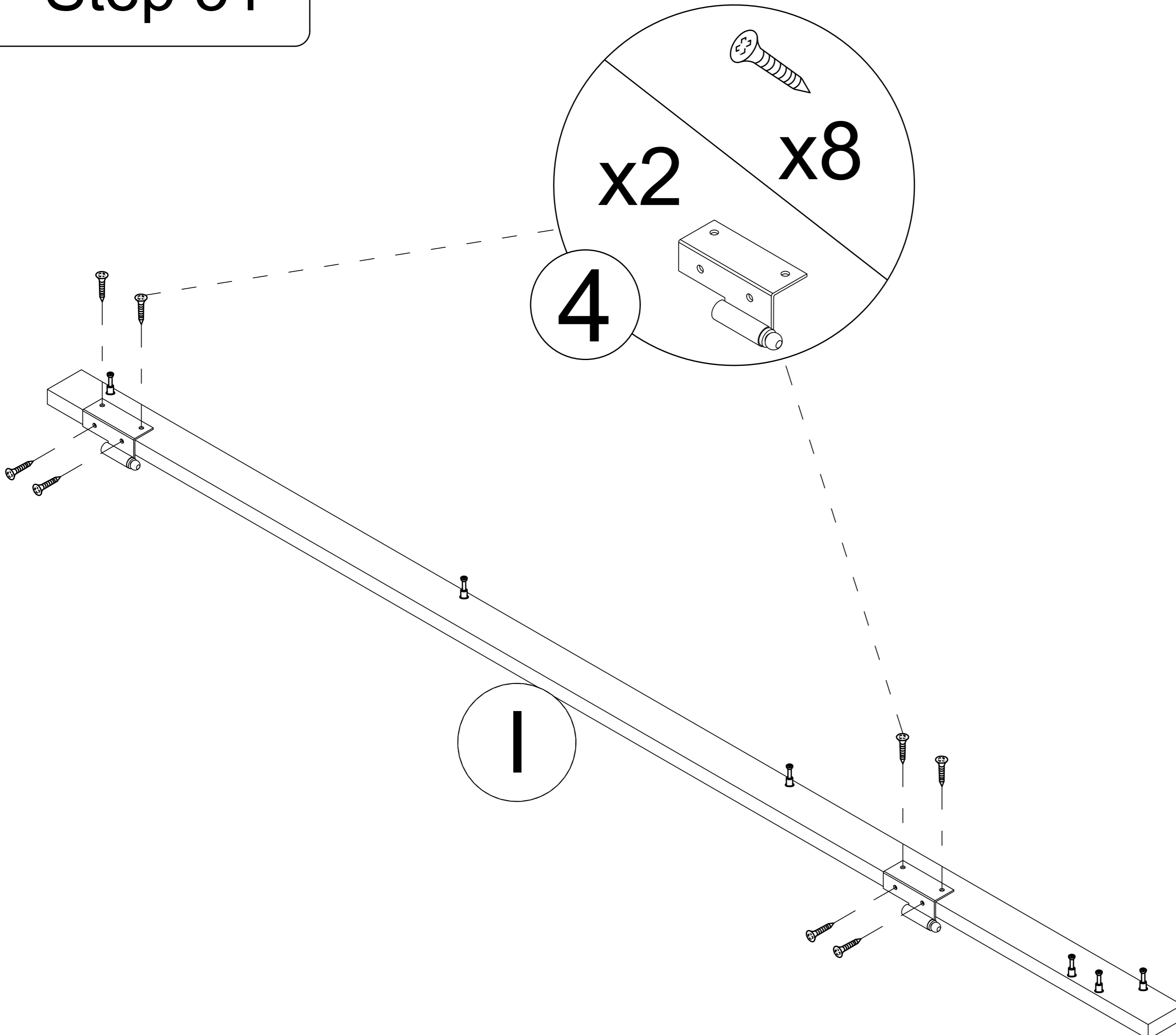
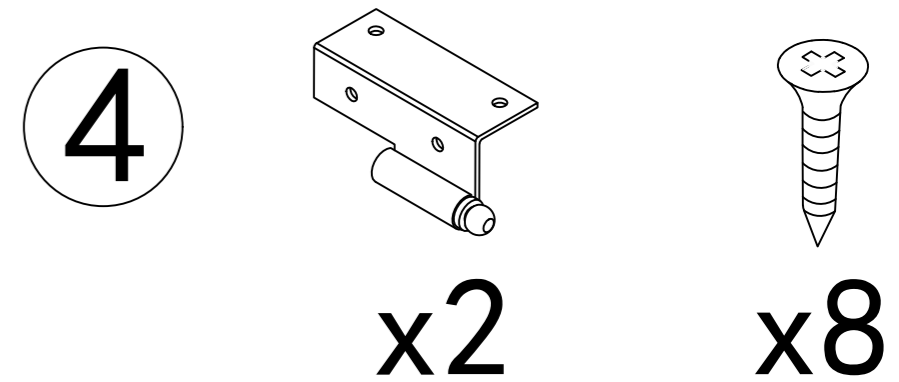
L

22

Step 30

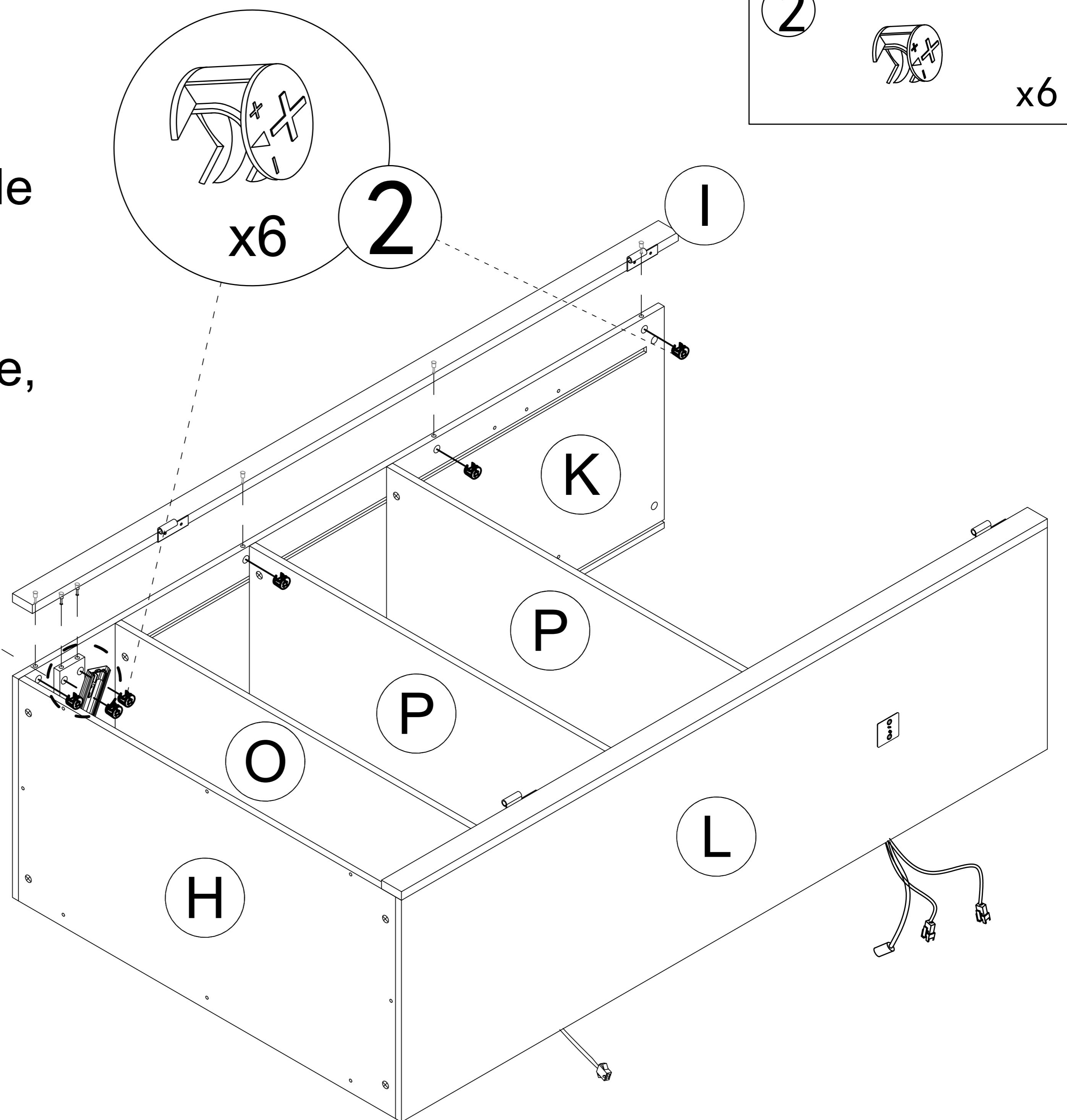
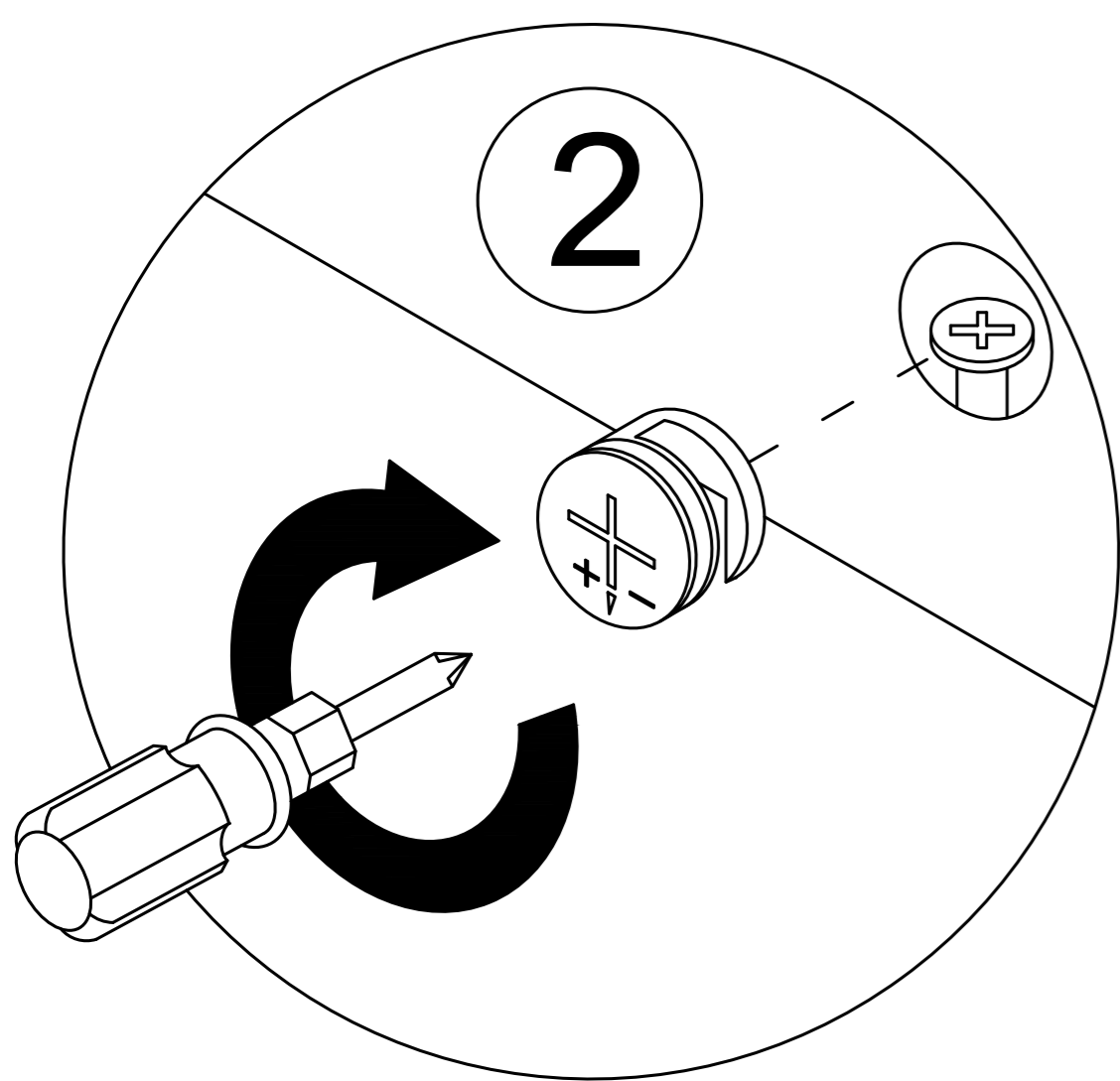


Step 31



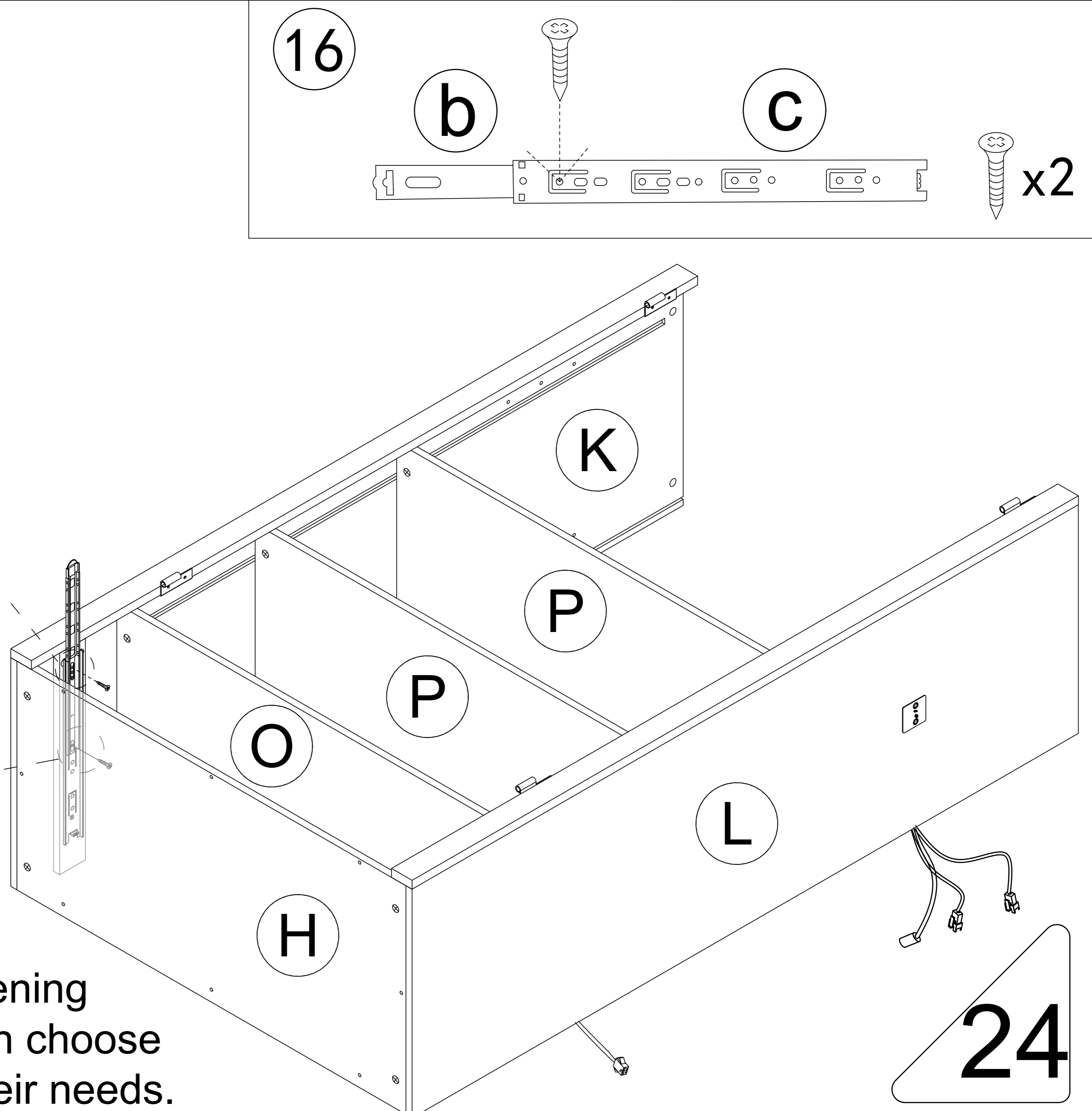
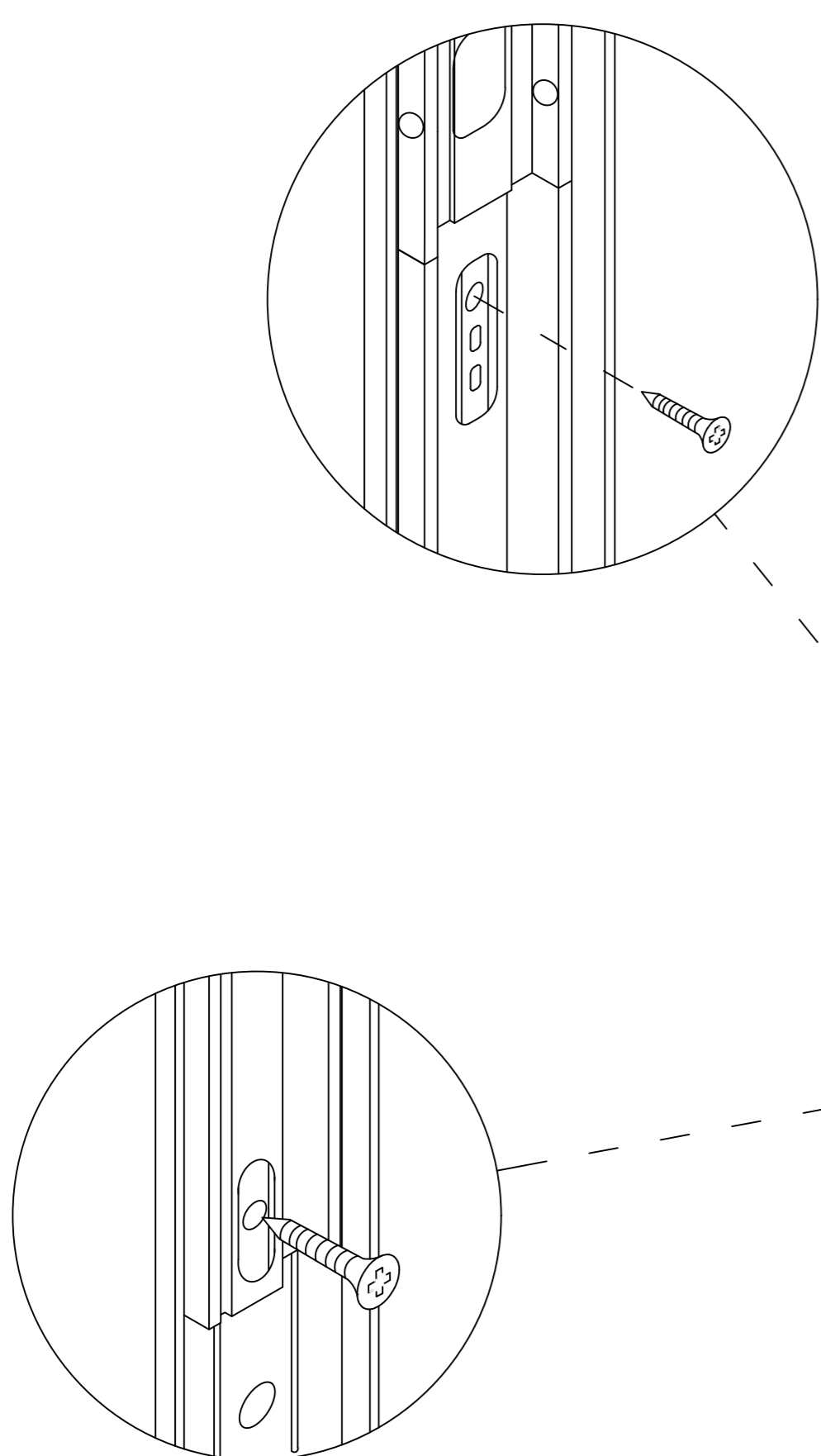
Step 32

Firstly, move the guide rail to the vacant position to prevent it from blocking the hole, and then tighten the two in one nut.



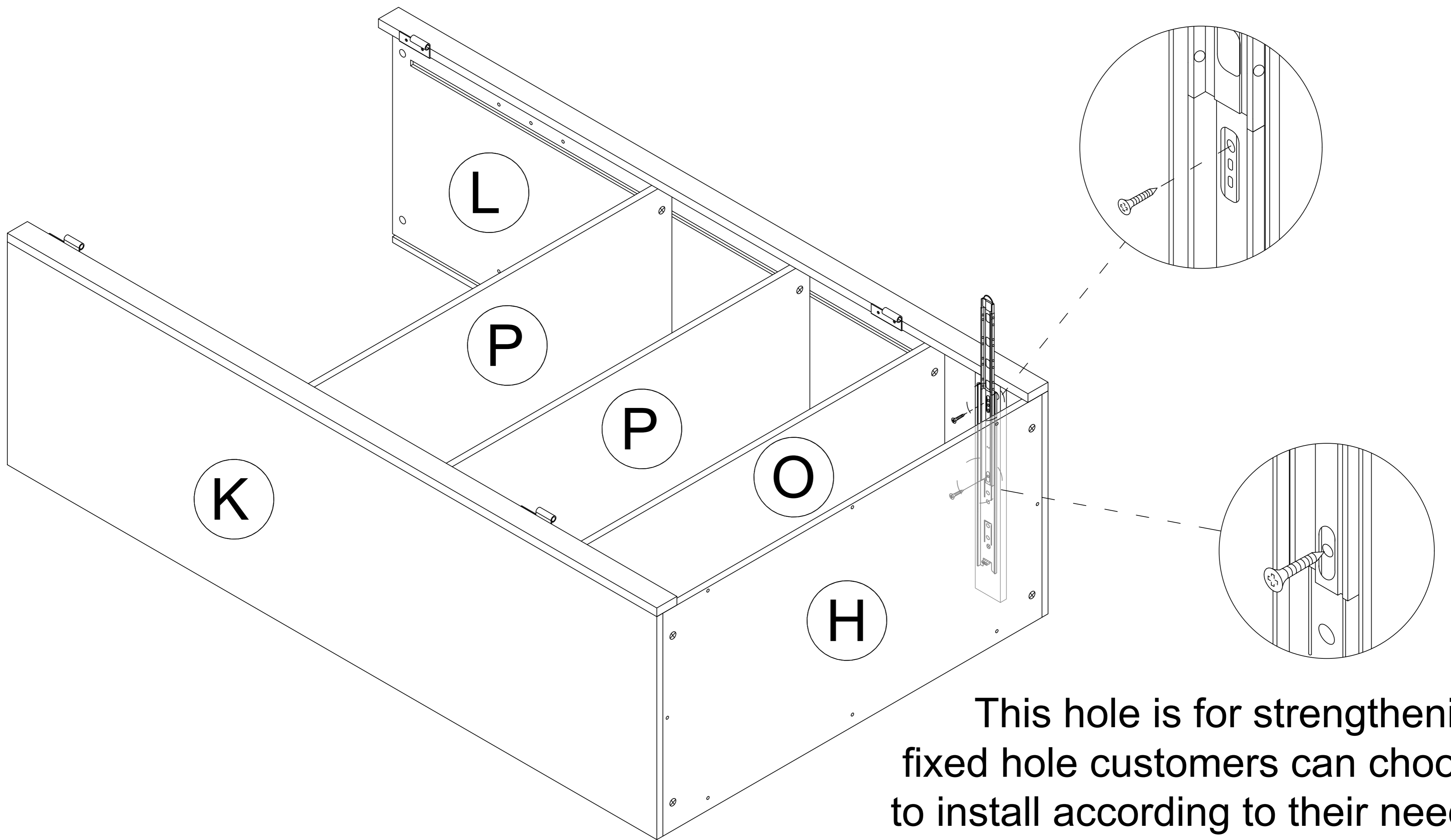
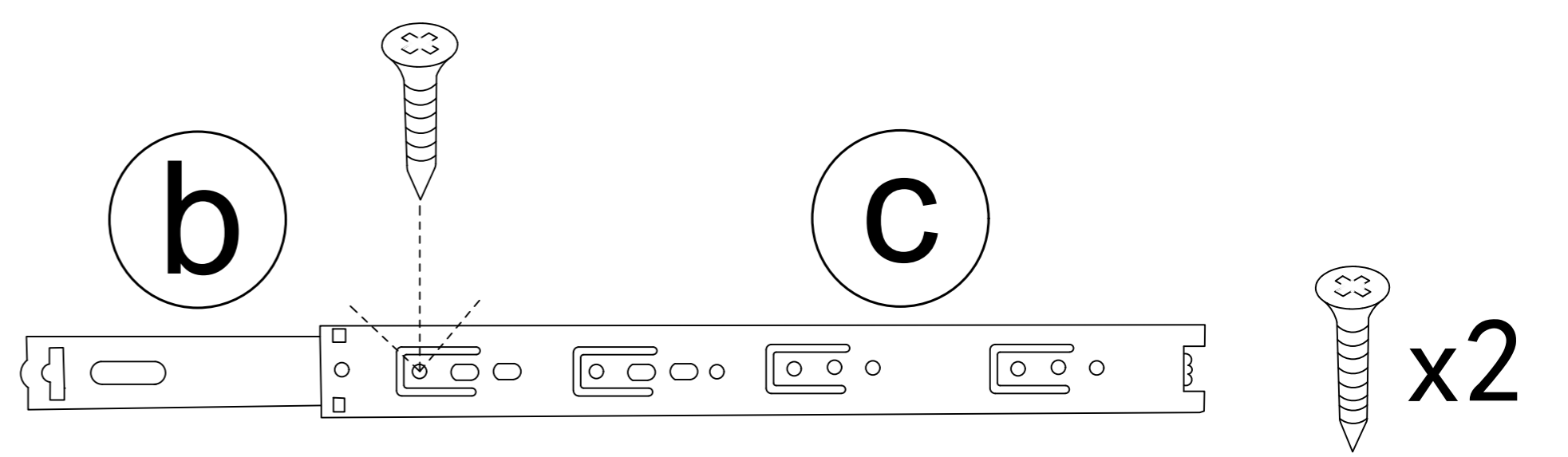
Step 33

This hole is for strengthening fixed hole customers can choose to install according to their needs.



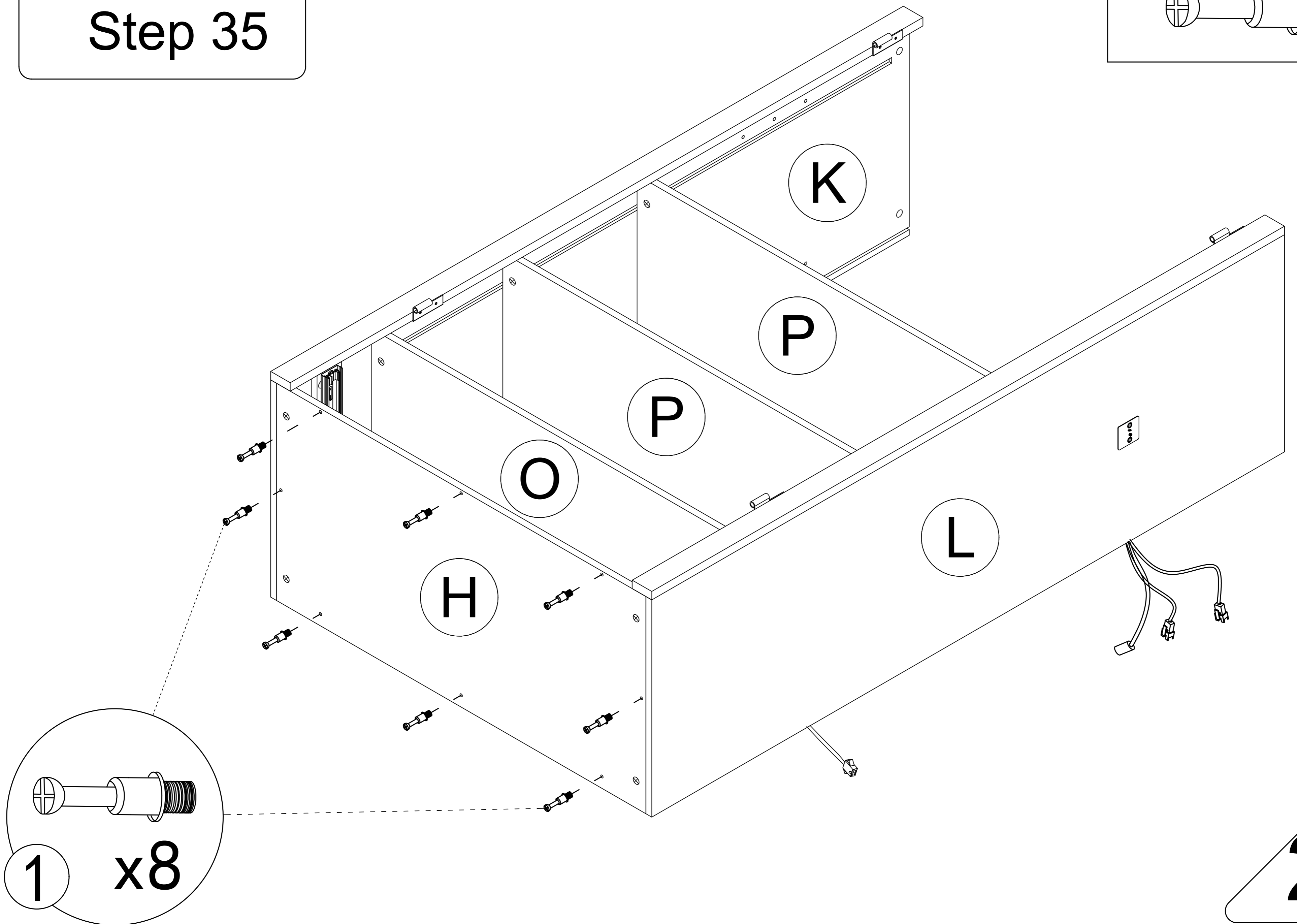
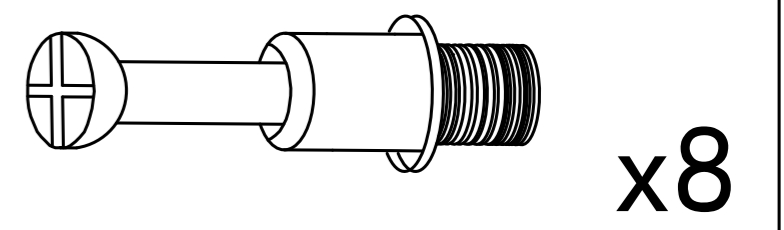
Step 34

16




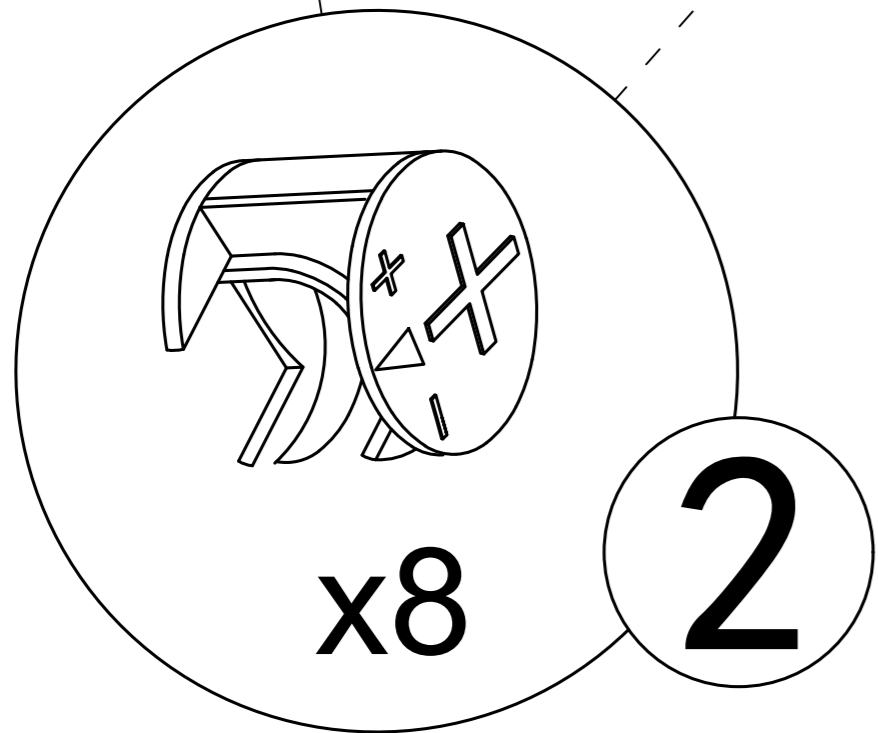
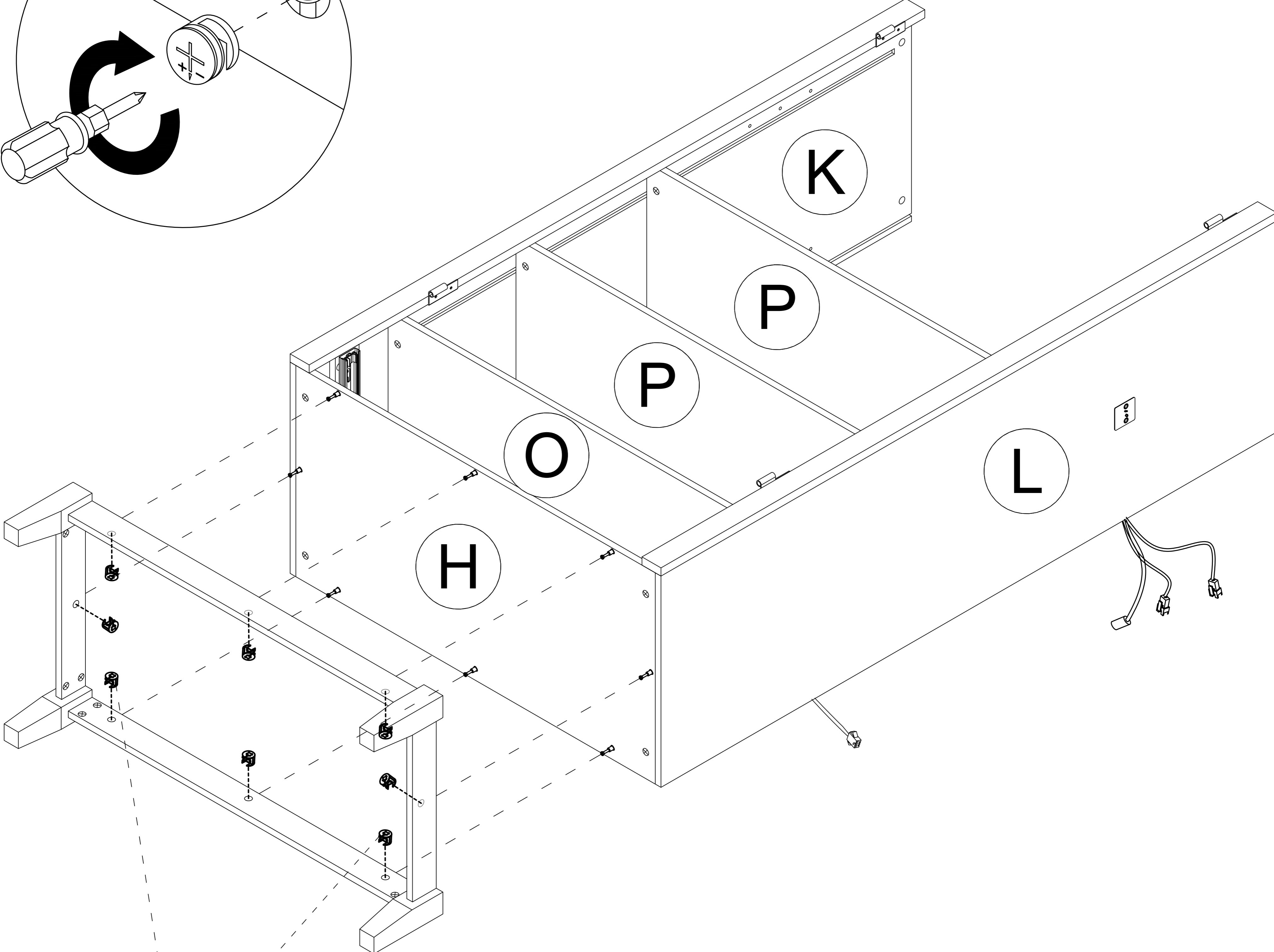
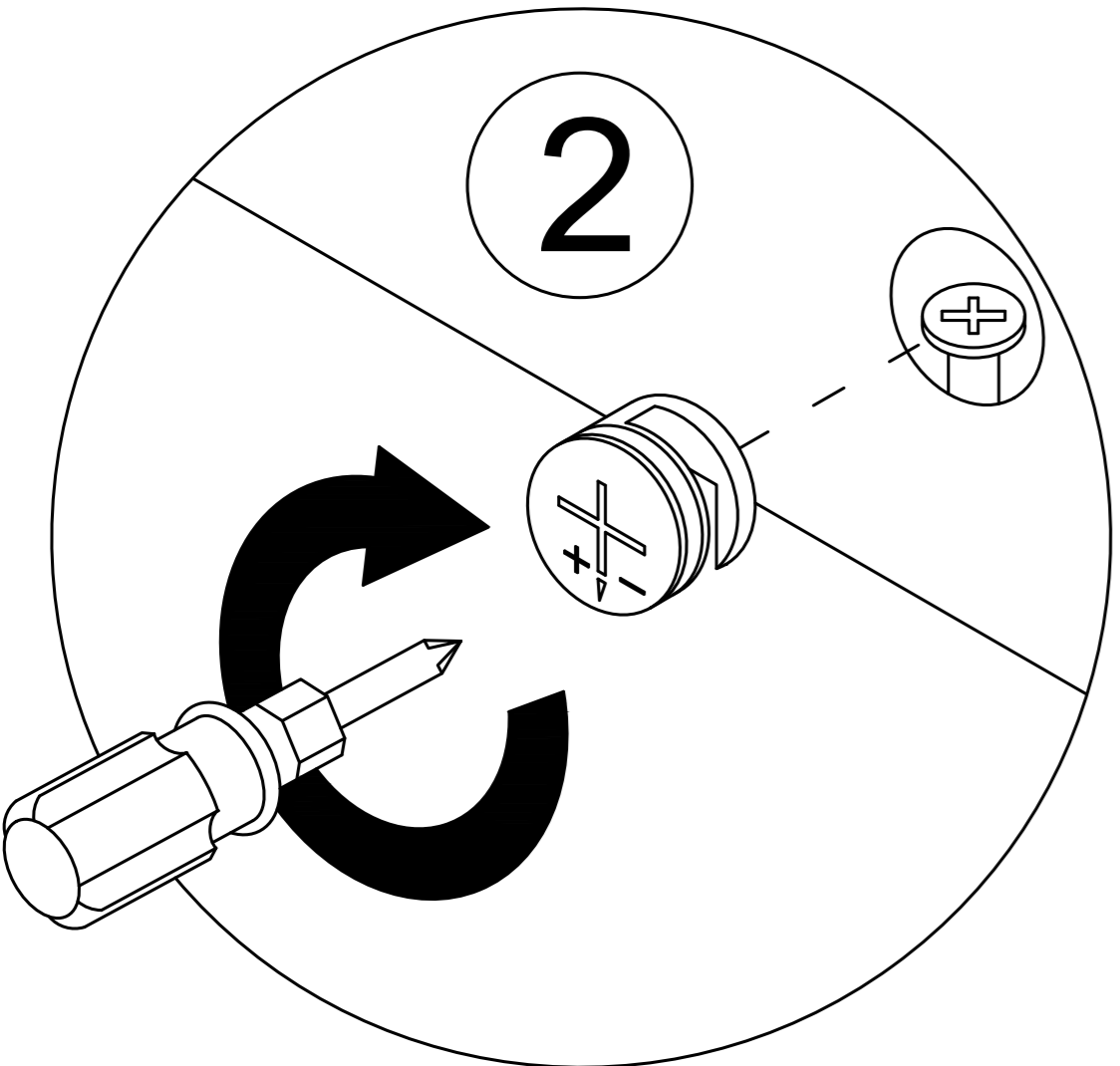
Step 35

1



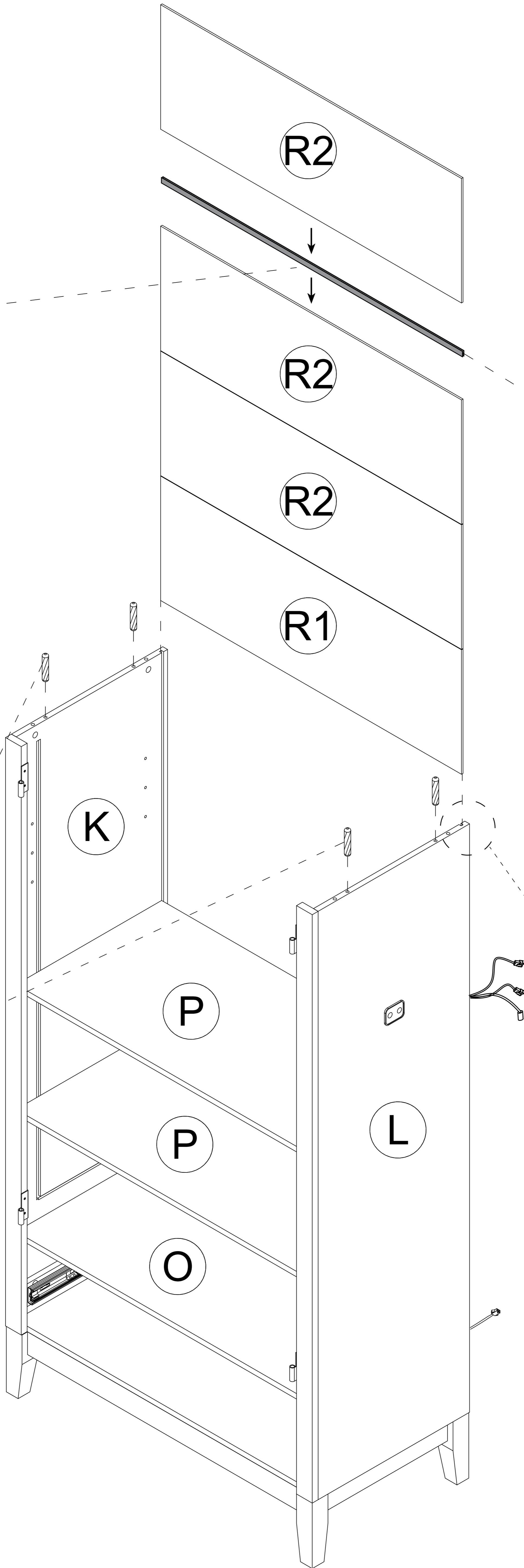
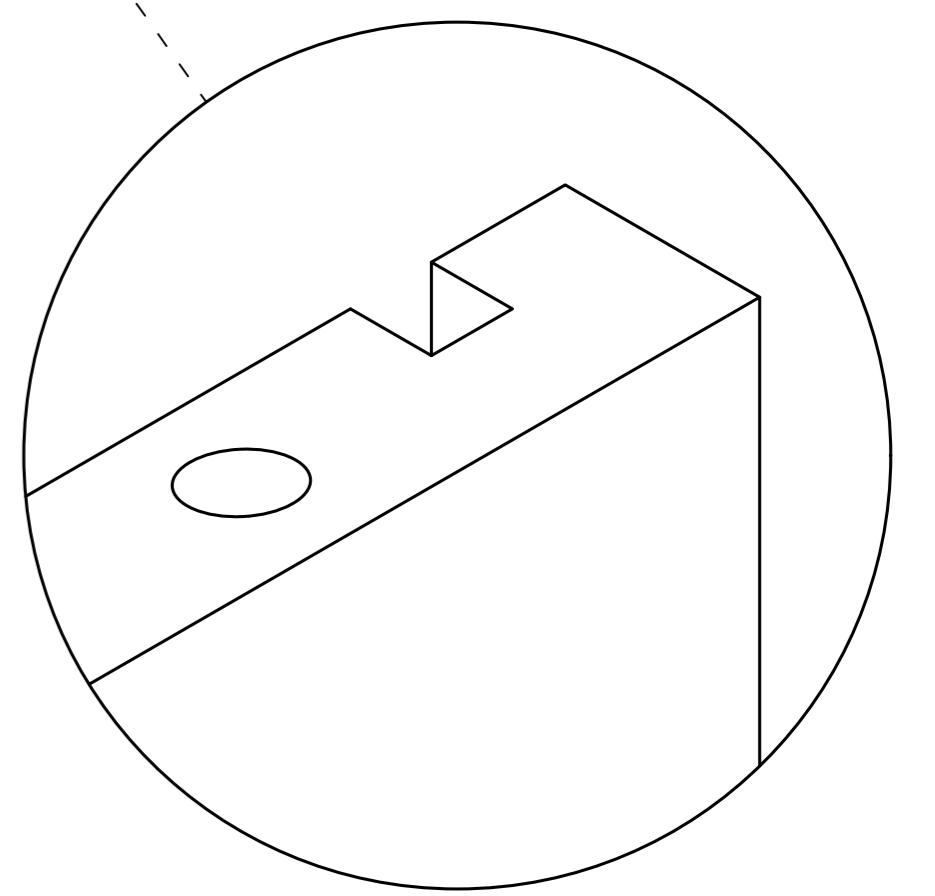
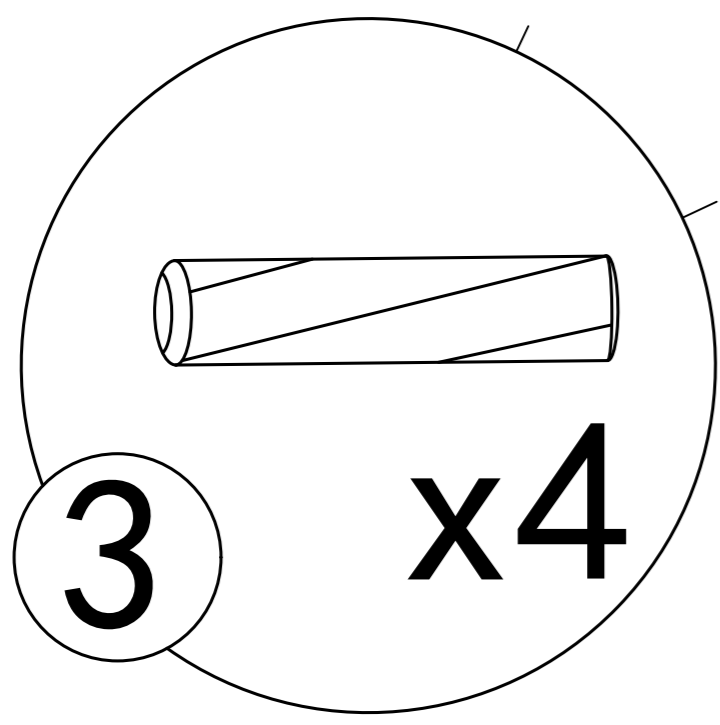
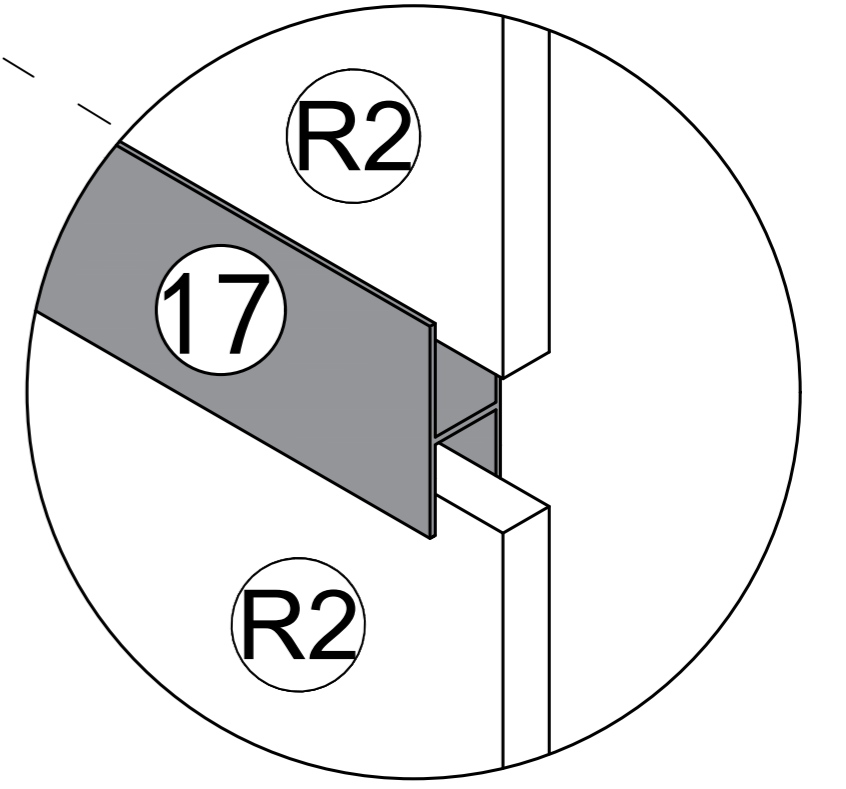
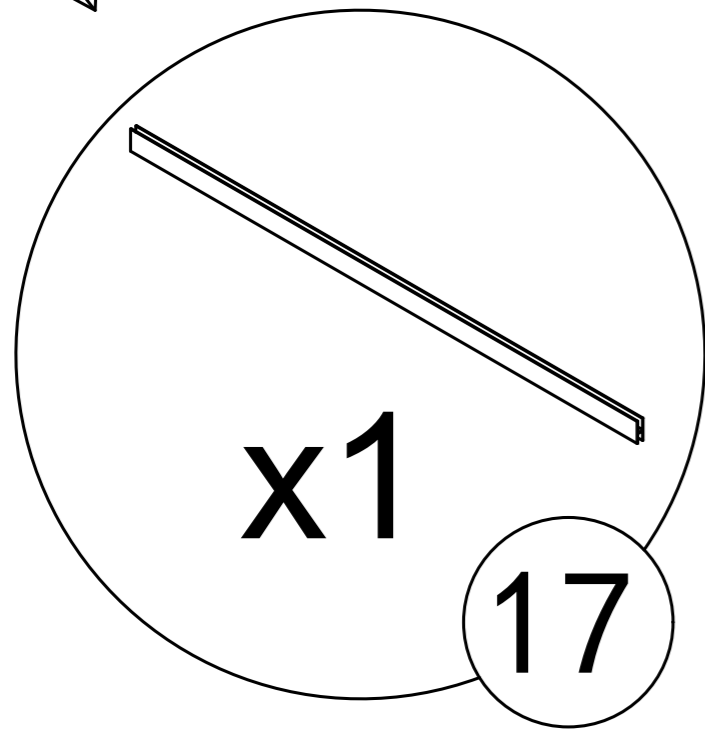
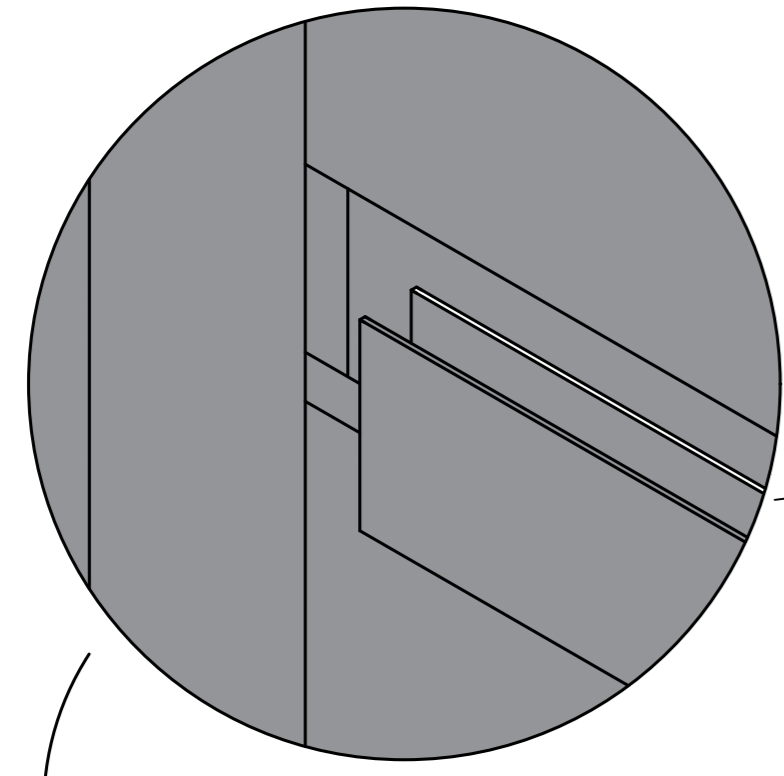
Step 36

2  x8

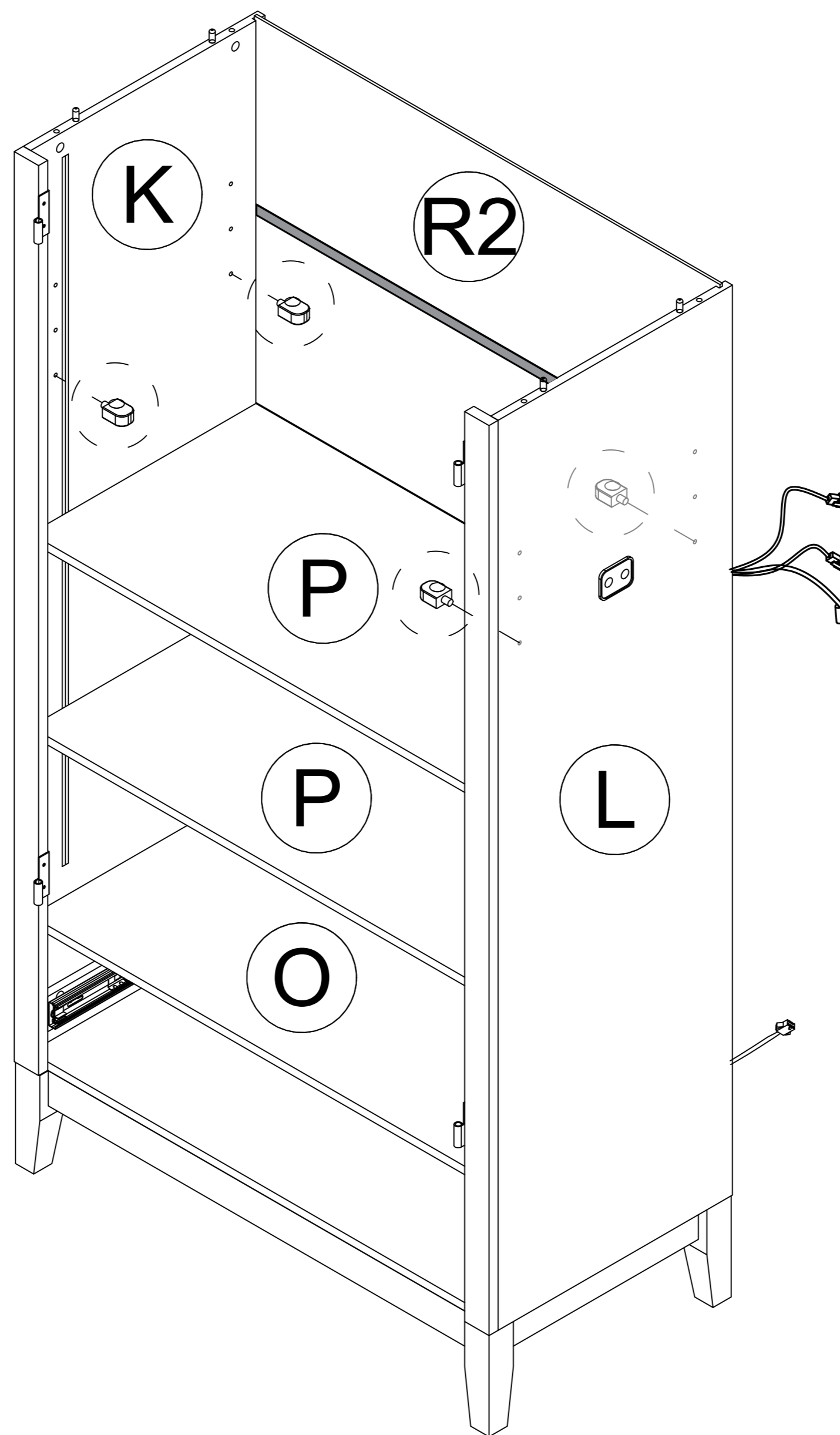
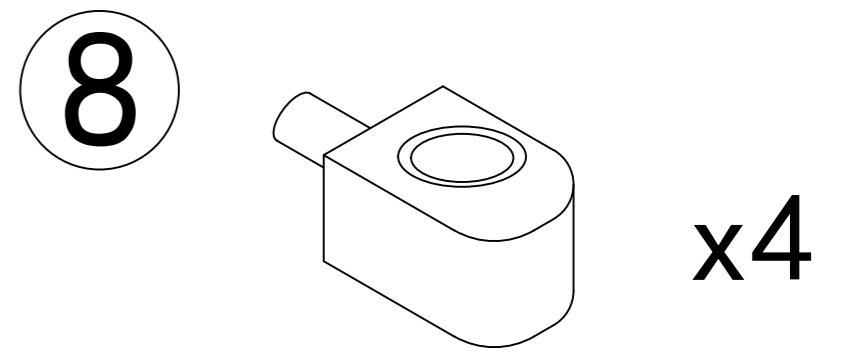


Step 37

- 17 x1
- 3 x4

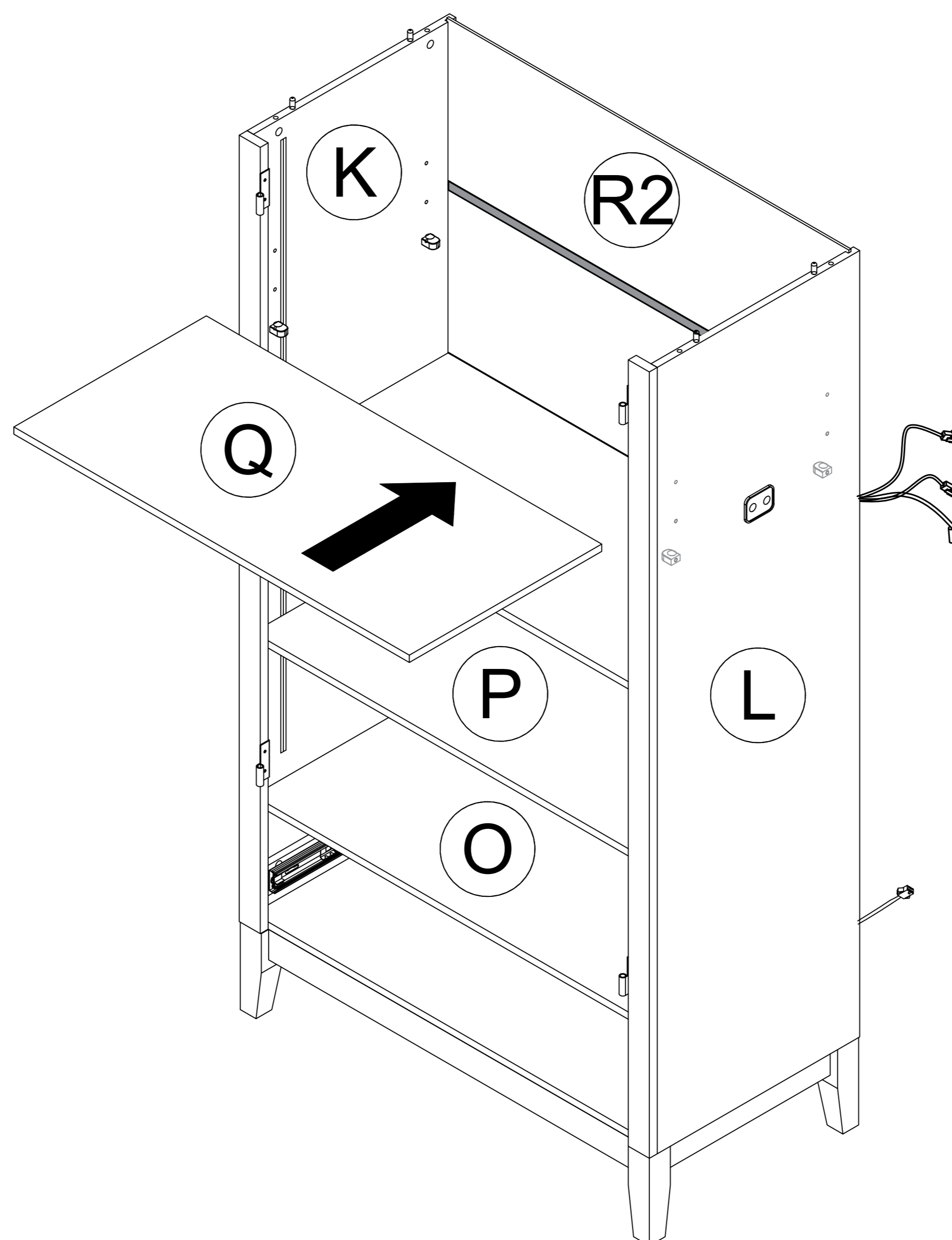


Step 38

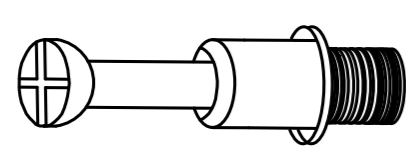

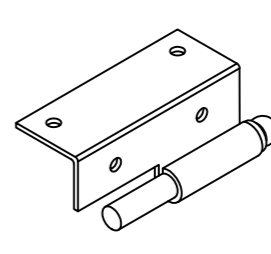
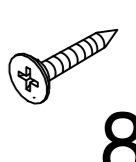
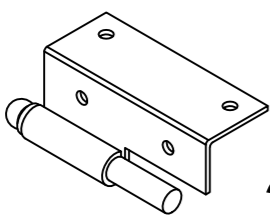

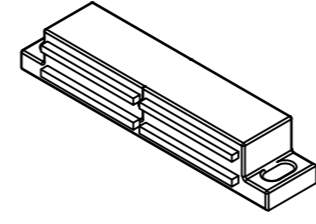

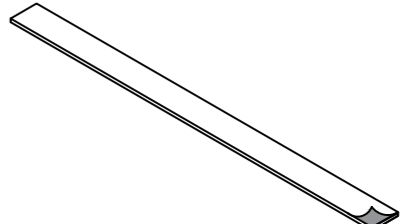
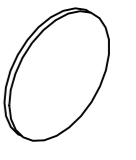
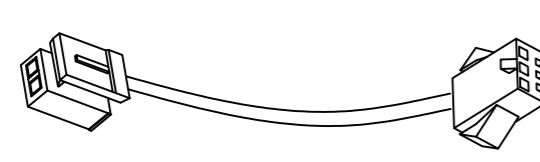
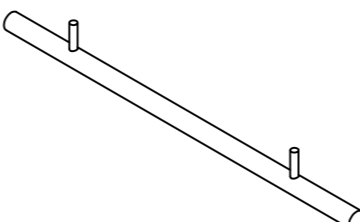
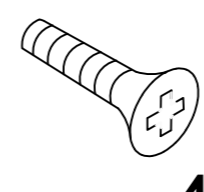
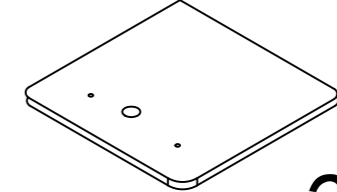
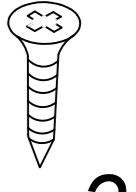
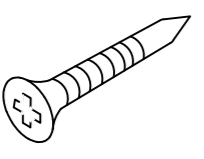
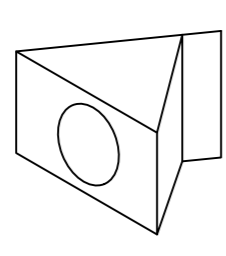
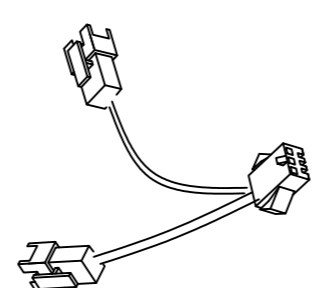
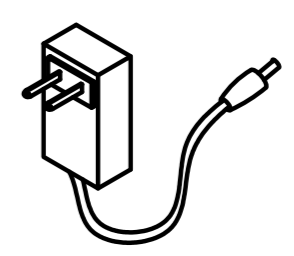



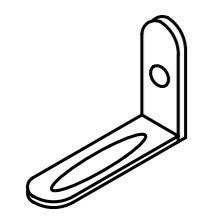
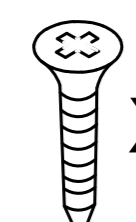
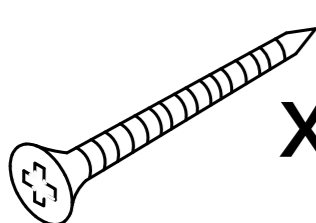
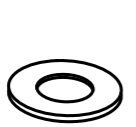
Adjust the position according to the actual usage situation

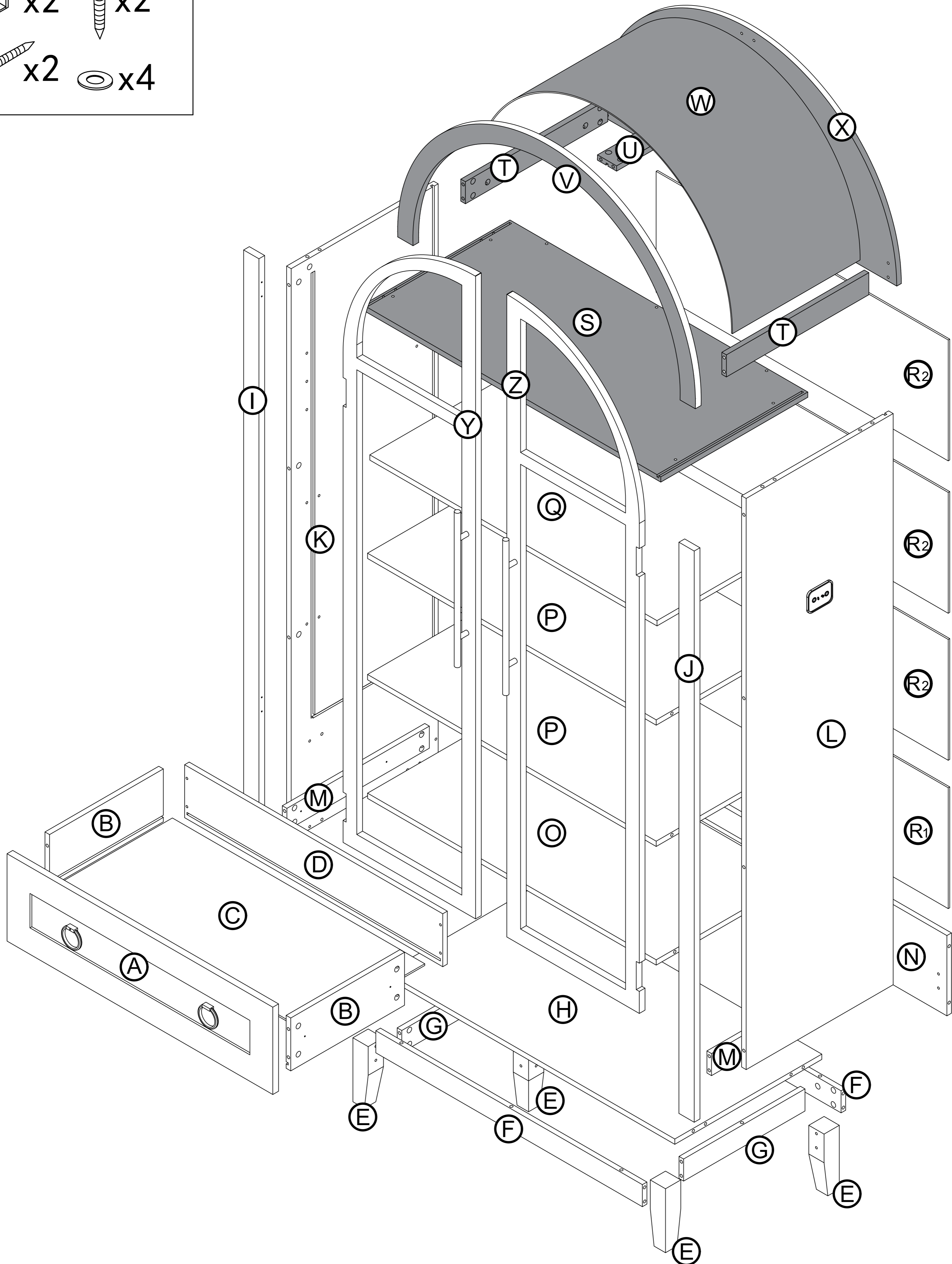
Step 39



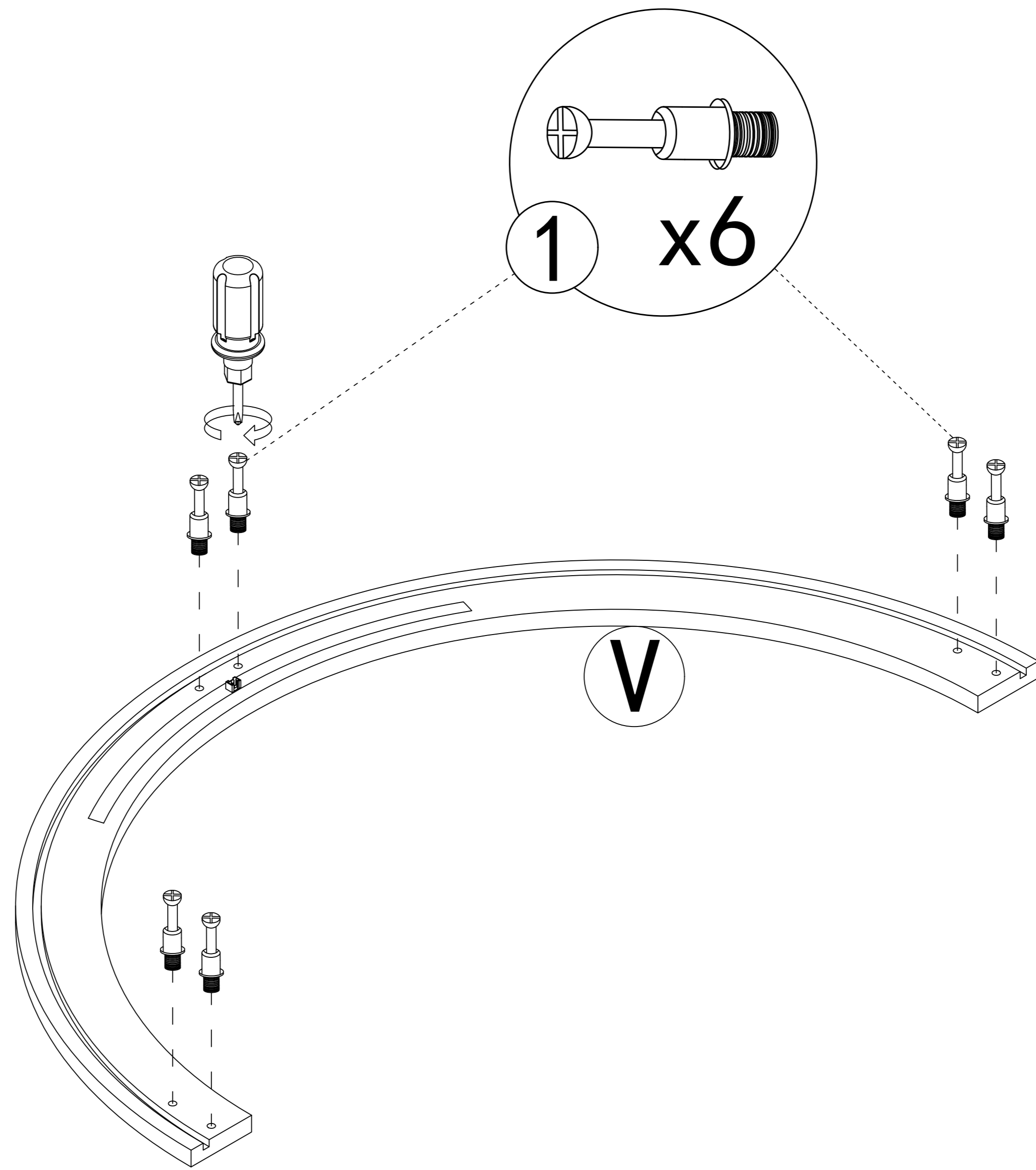
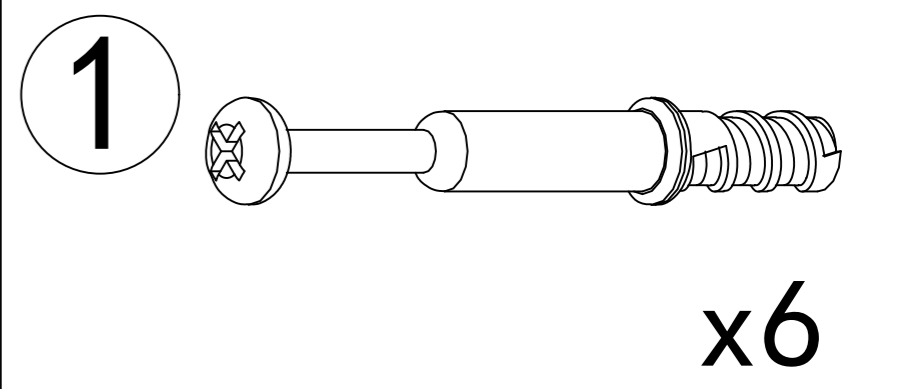
Please tilt the **Q** board and place it inside

1		23pcs	2		23pcs	4	 2pcs	 8pcs
5	 2pcs	 8pcs	6	 1pcs	 2pcs	9	 1pcs	 4pcs
10	 1pcs	11	 2pcs	 4pcs	12	 2pcs	 2pcs	
13	 8pcs		14	 1pcs			 1pcs	1pcs

- 18
-  x2
 -  x2
 -  x2
 -  x2
 -  x4

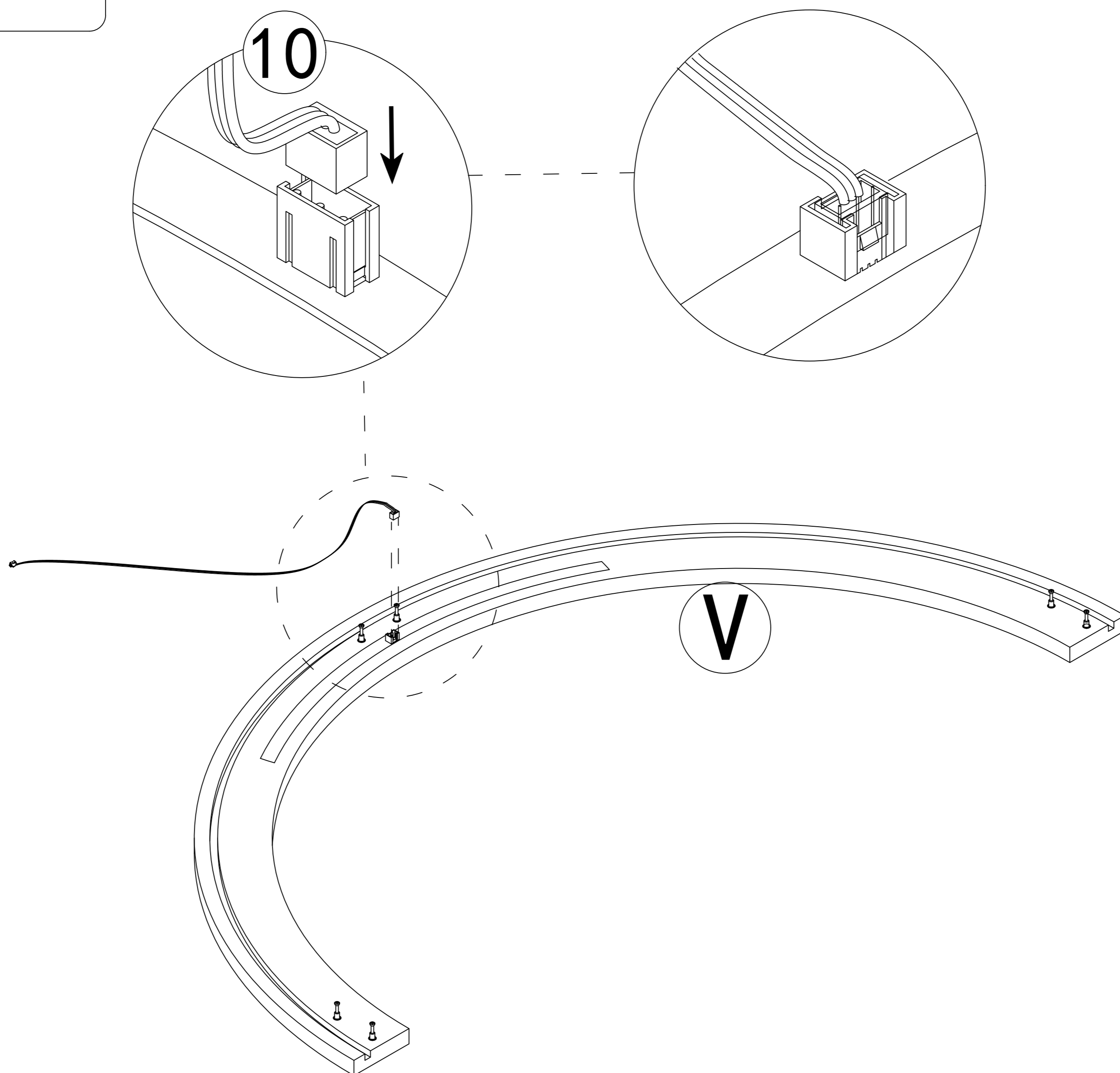
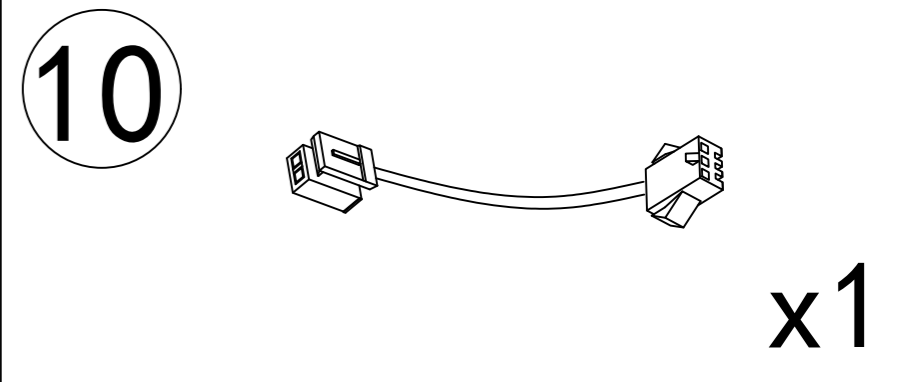


Step 40

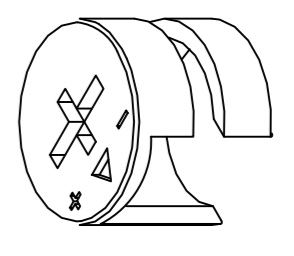


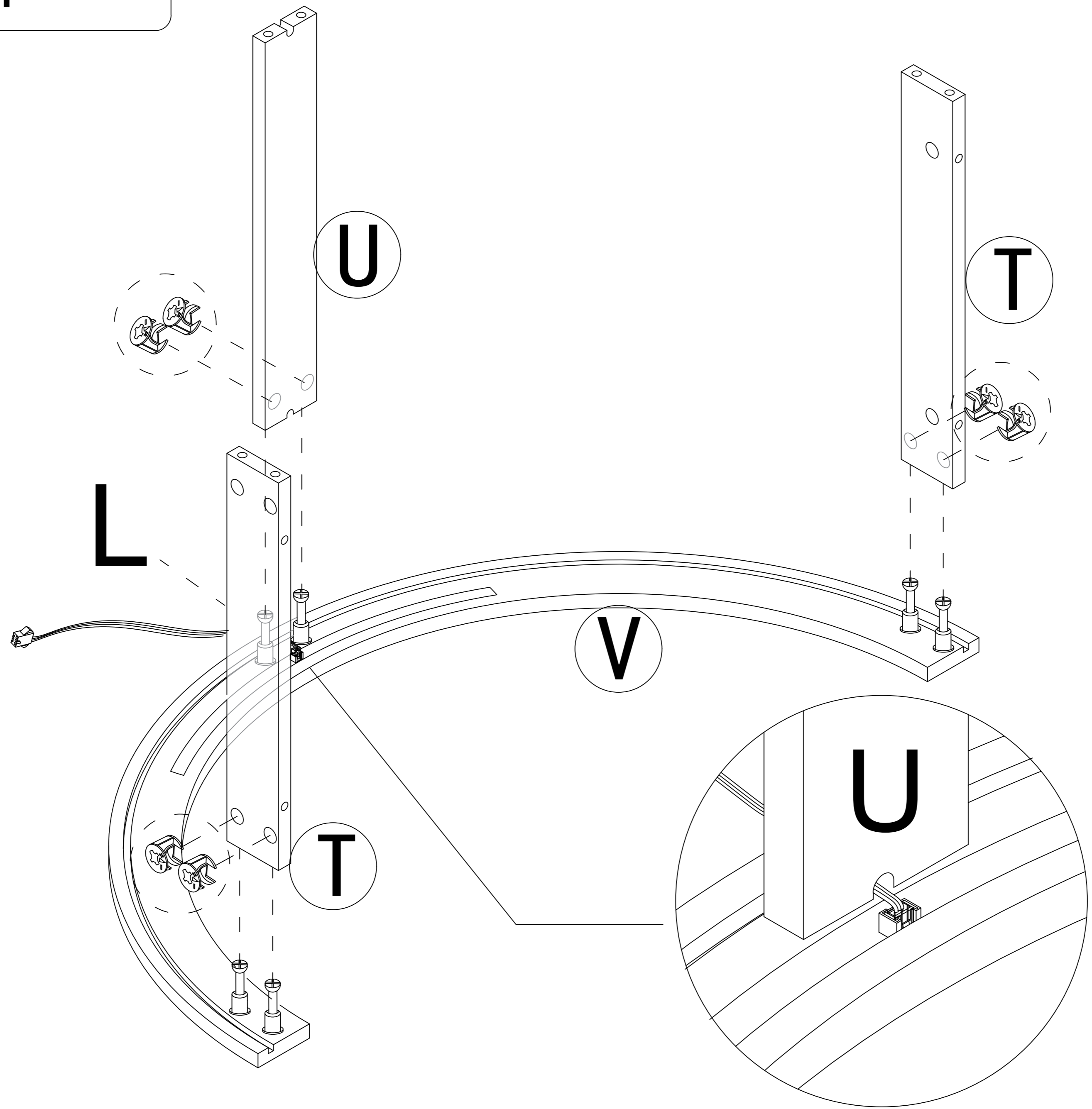
Step 41

Connect the light cable socket



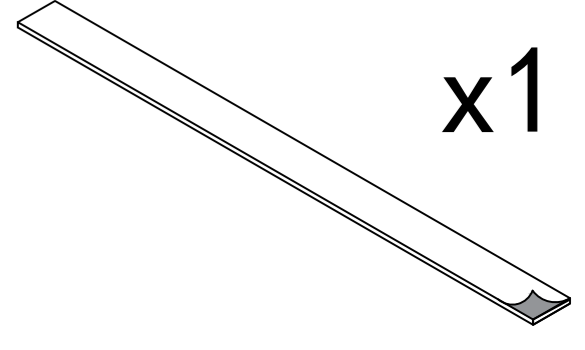
Step 42

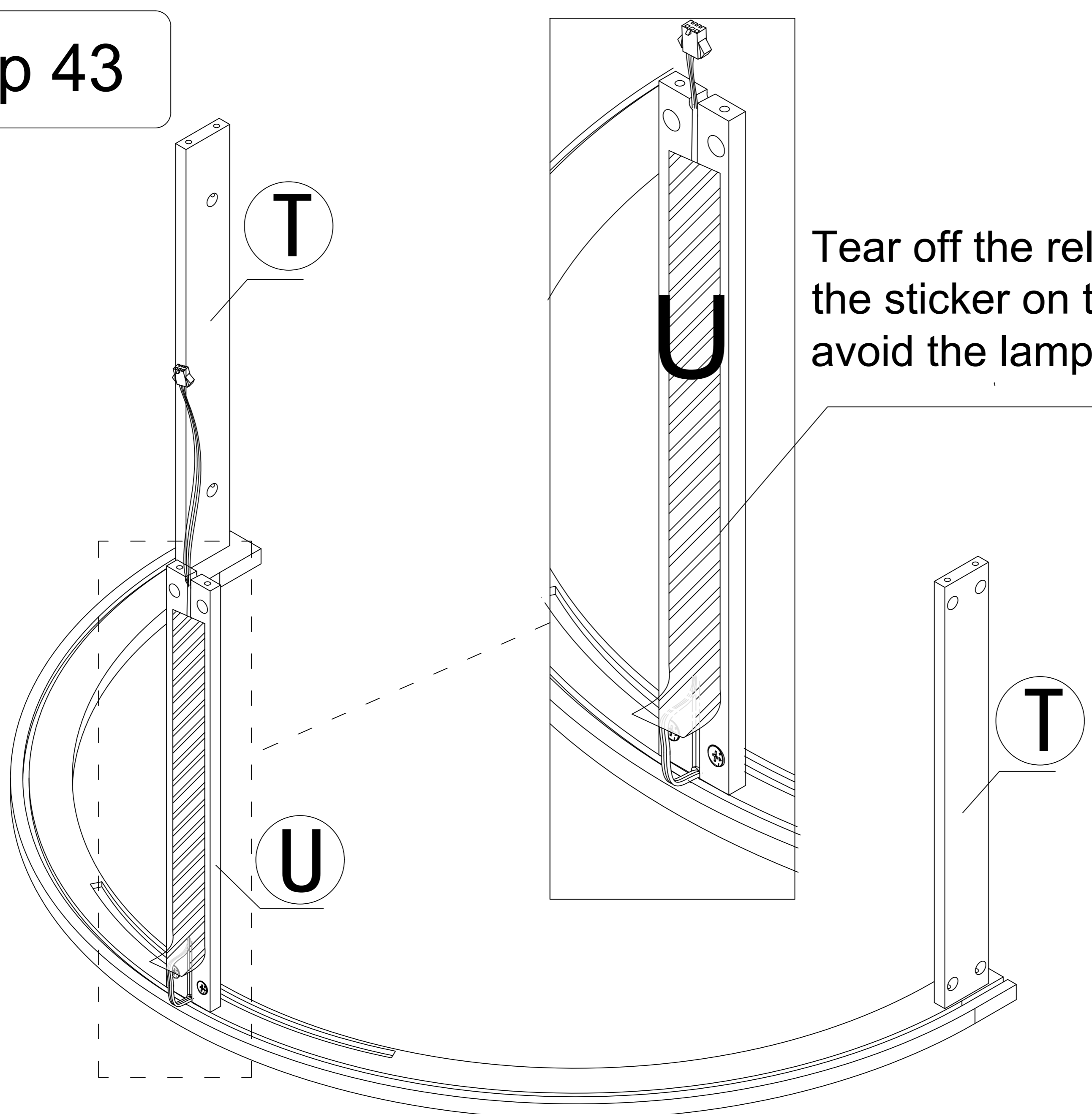
2  x6



Thread the light wire through board U and tighten the nut

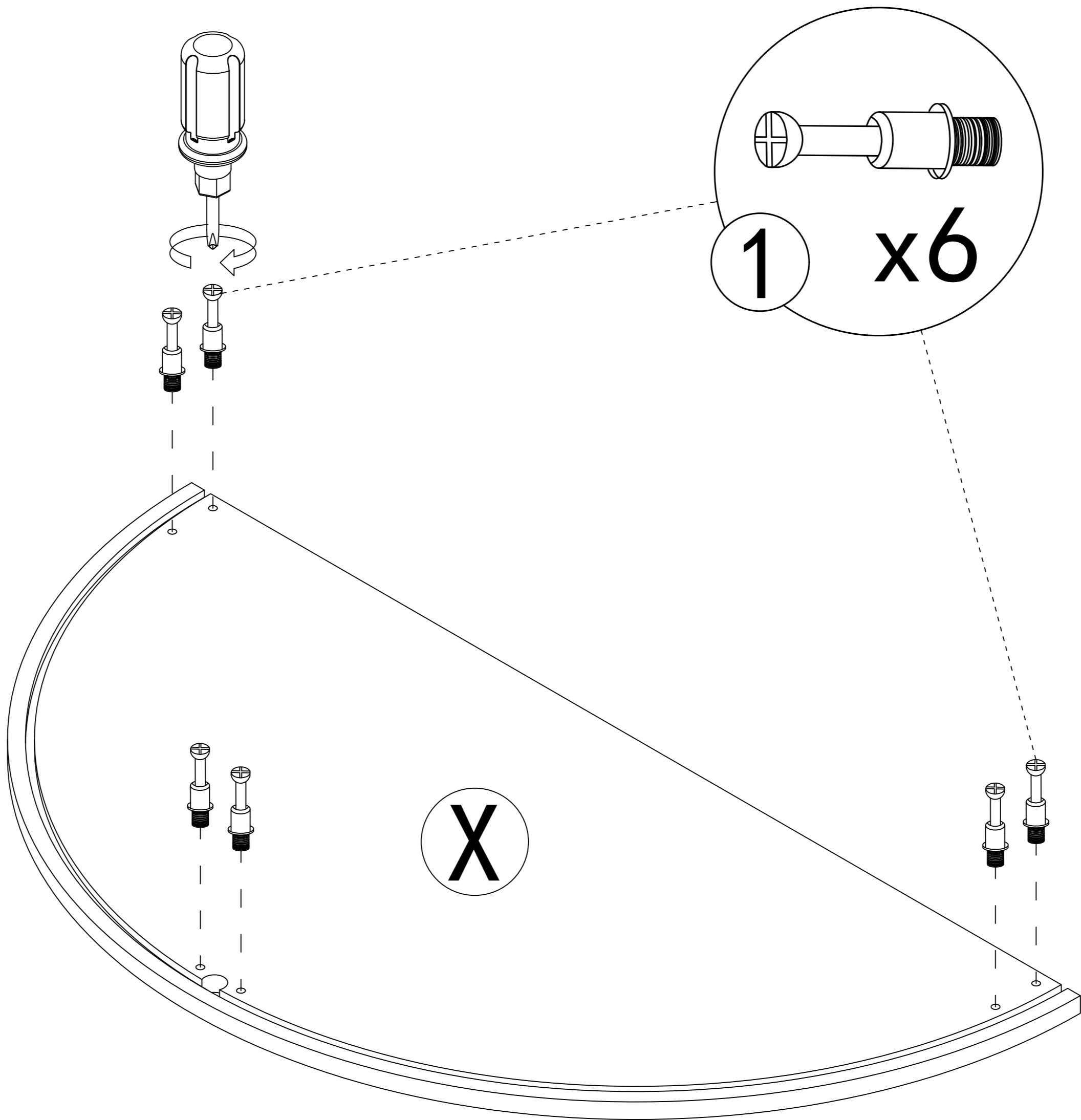
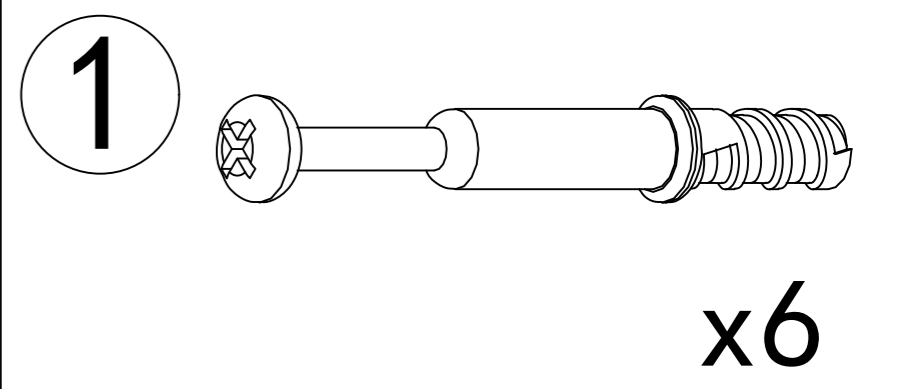
Step 43

9  x1



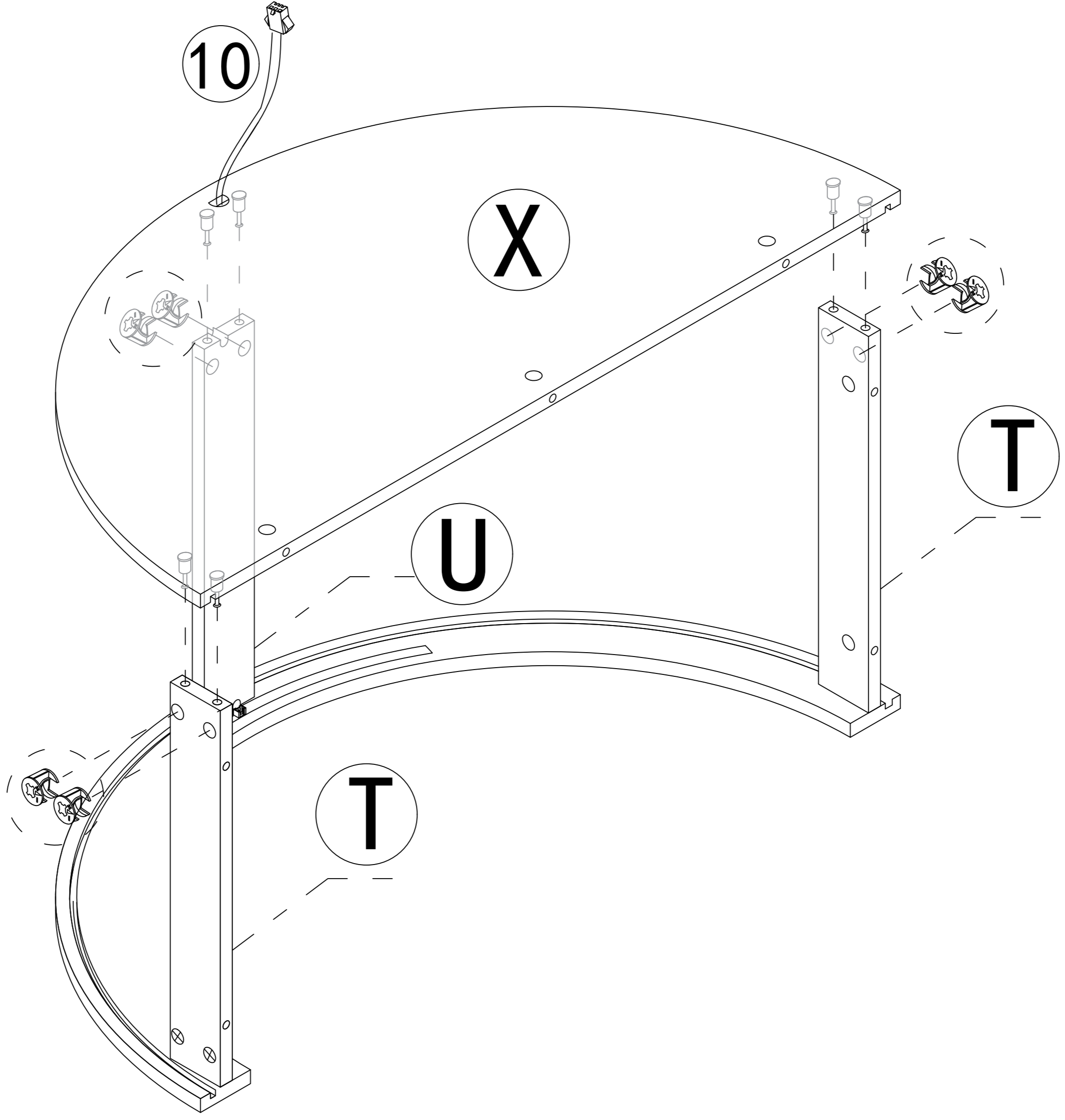
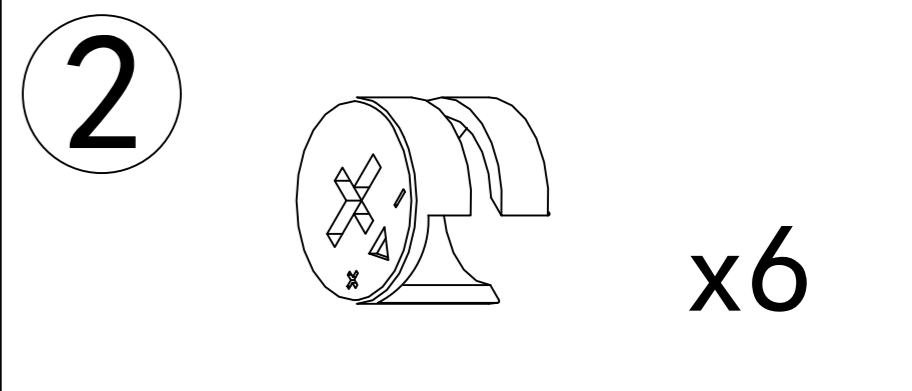
Tear off the release paper and stick the sticker on the U-plate lamp slot to avoid the lamp wire from falling off.

Step 44

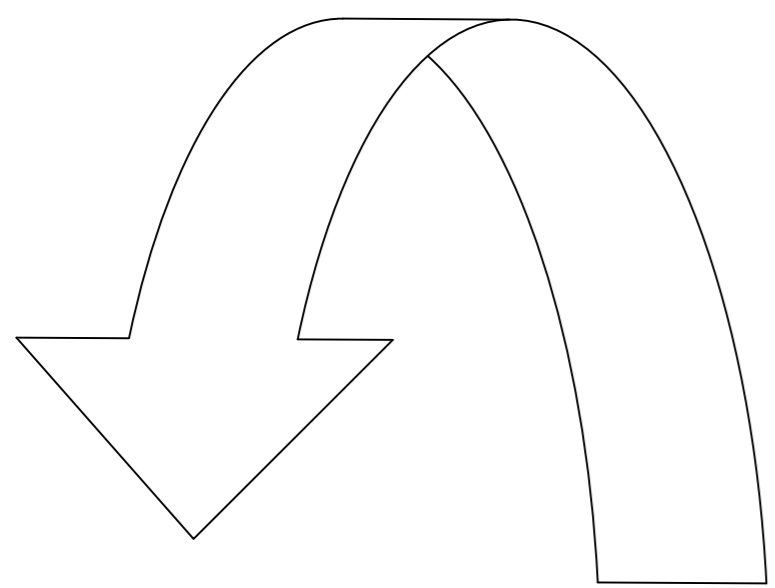


Step 45

Passing through the hole of plate X

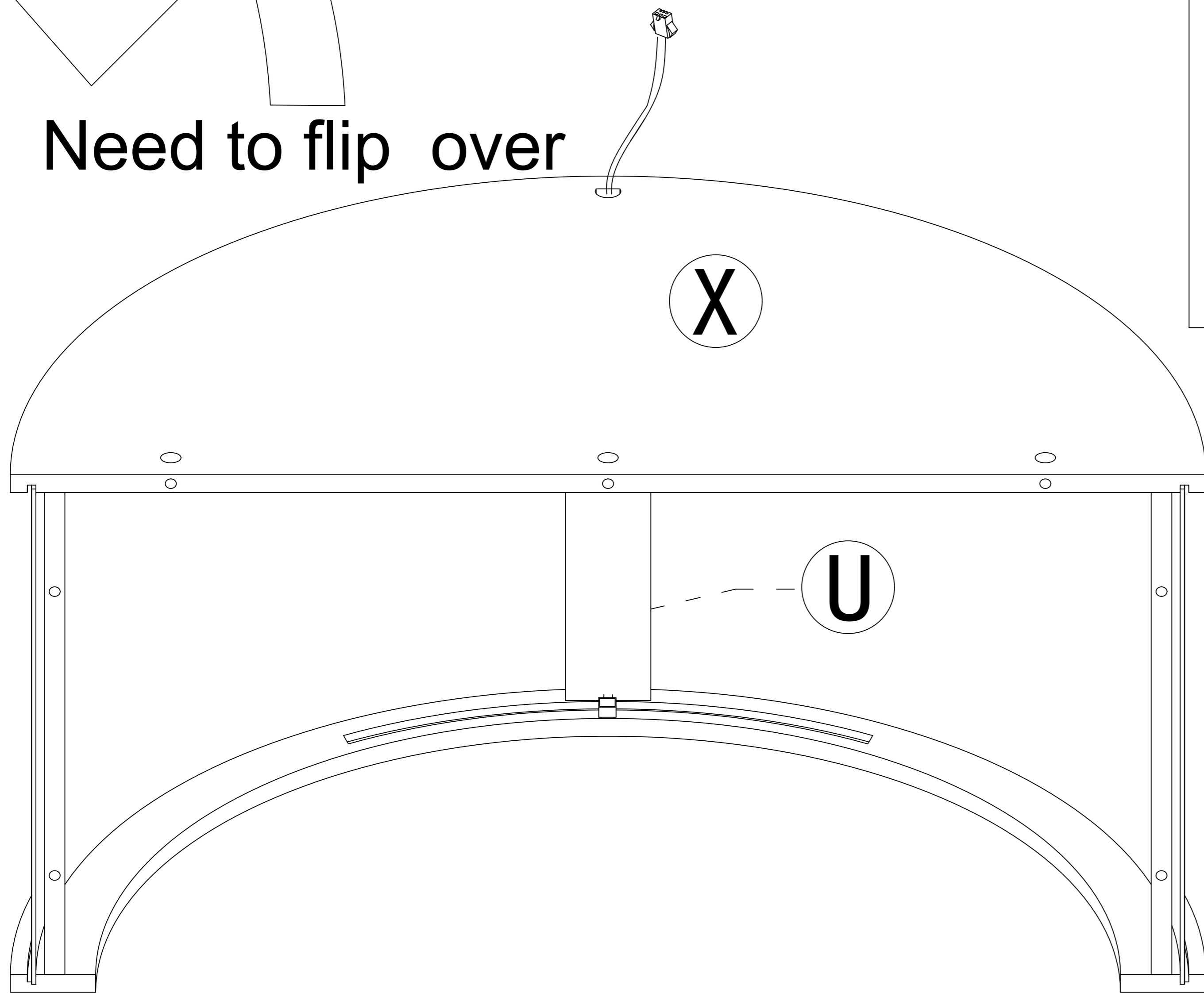


Note:

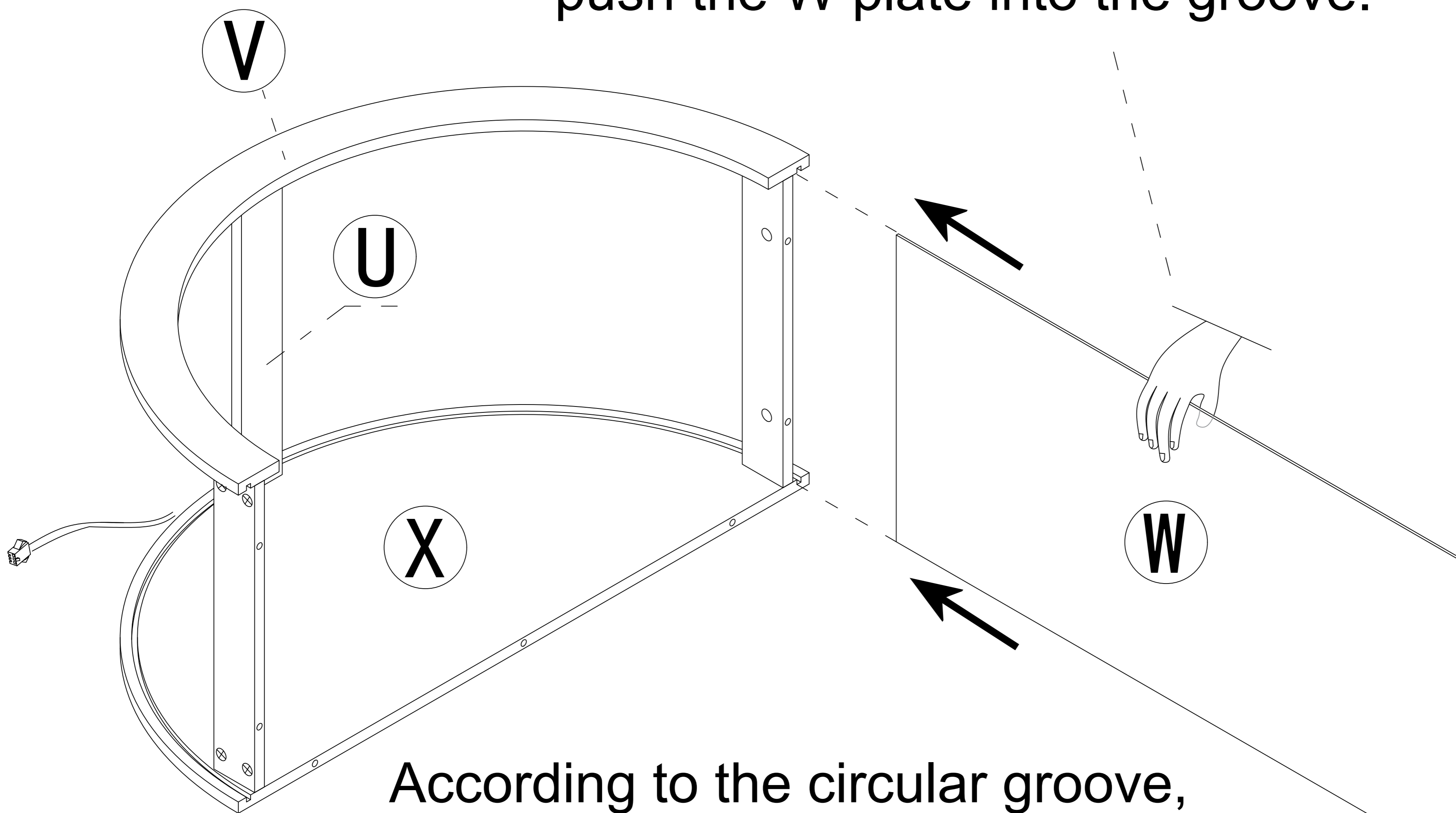


Need to flip over

E:\ WeChat Files\wxid_9kdu4imkxu921\FileStorage\Temp\75f214505e4165de1e4e65c3ef0d00e.png

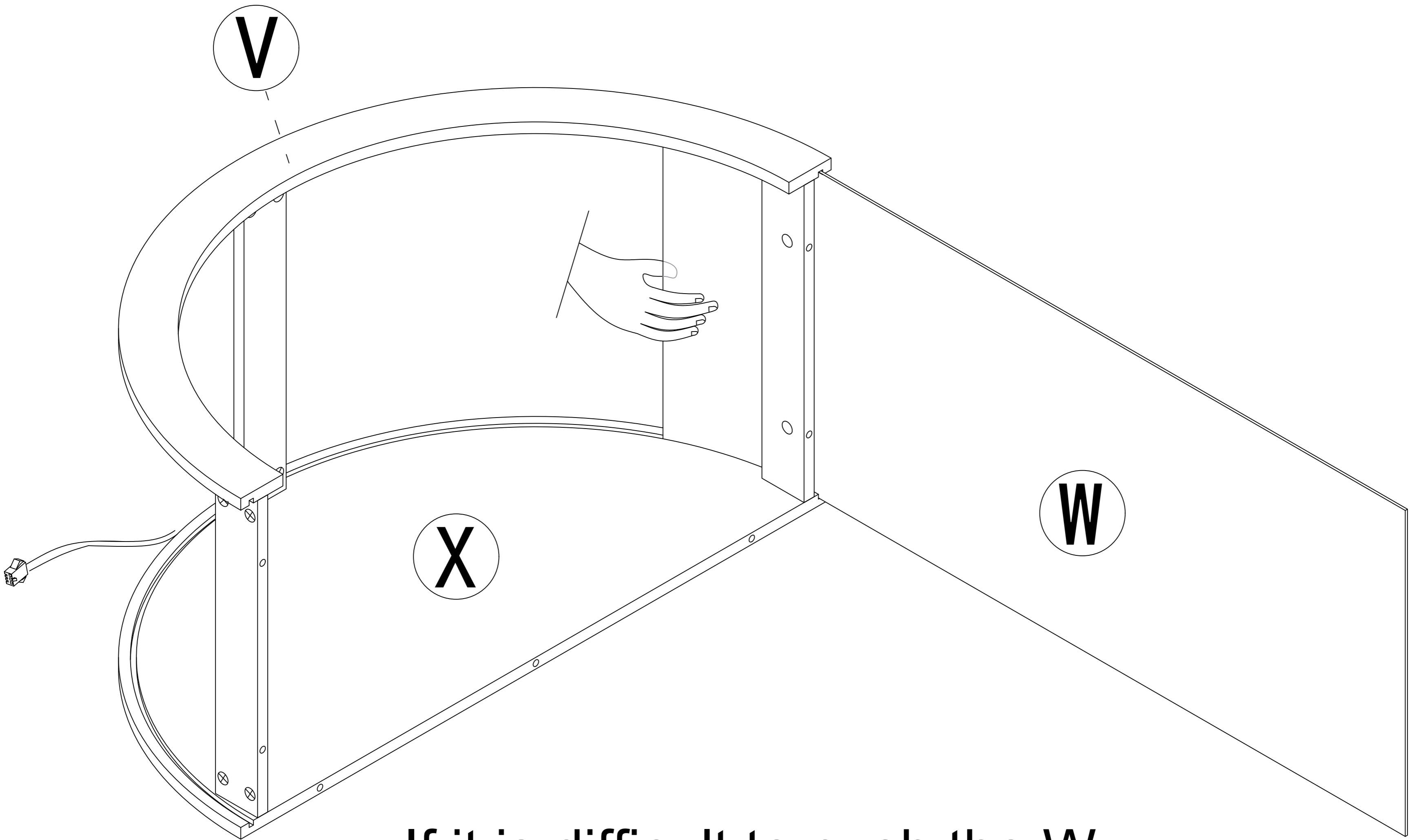


Note: When installing the W plate, push the middle of the W plate by hand to push the W plate into the groove.

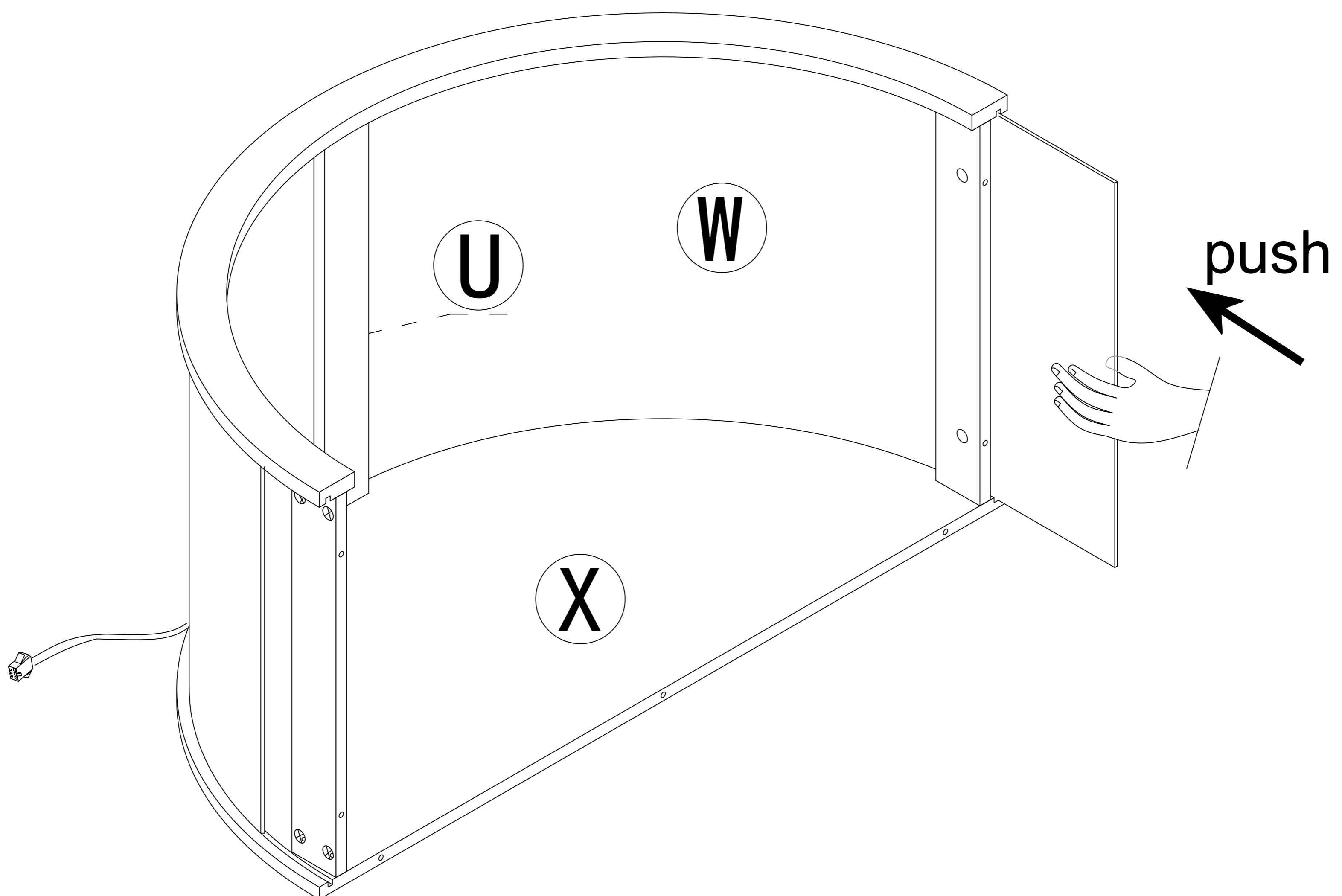


According to the circular groove, insert W into V and X grooves.

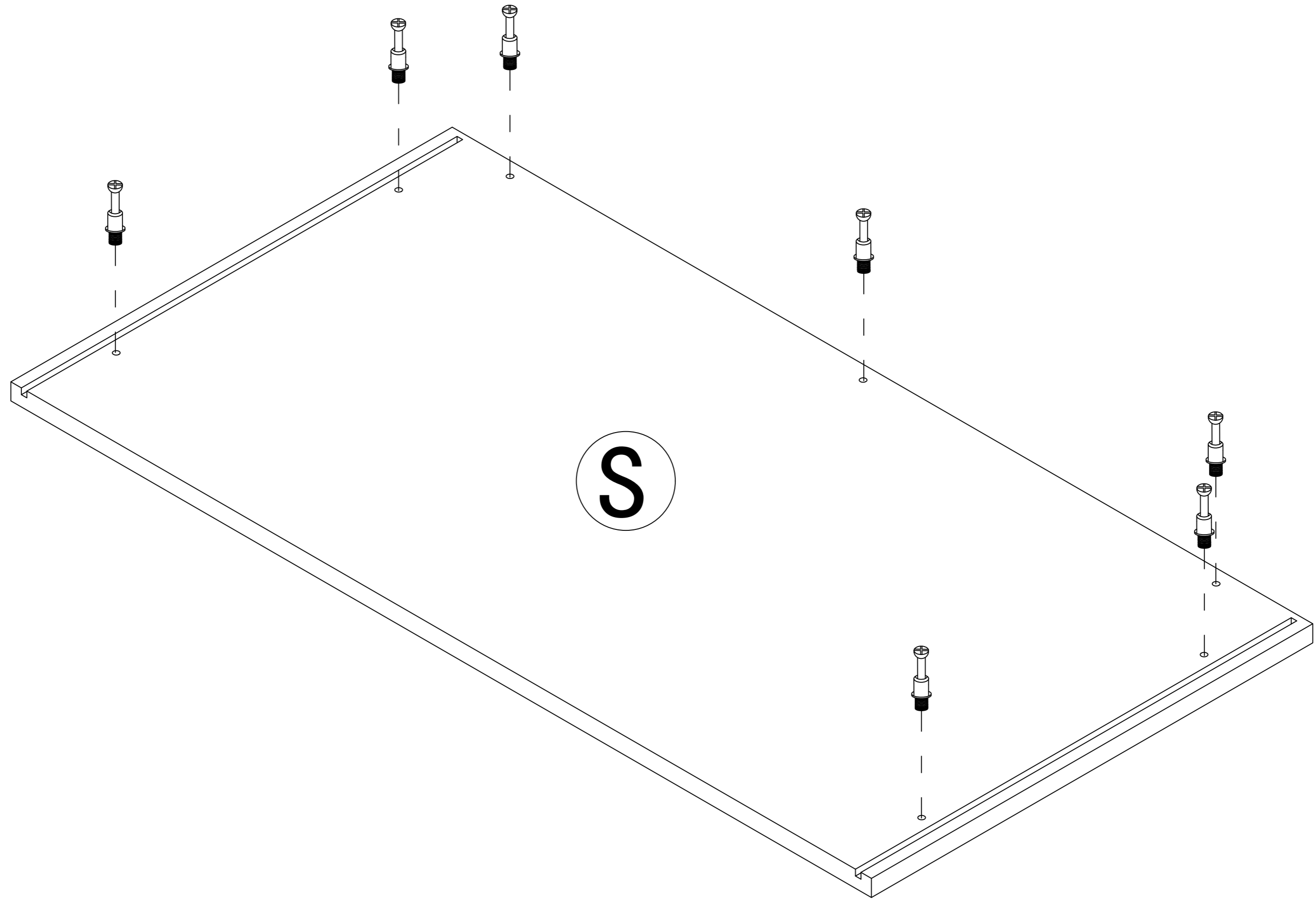
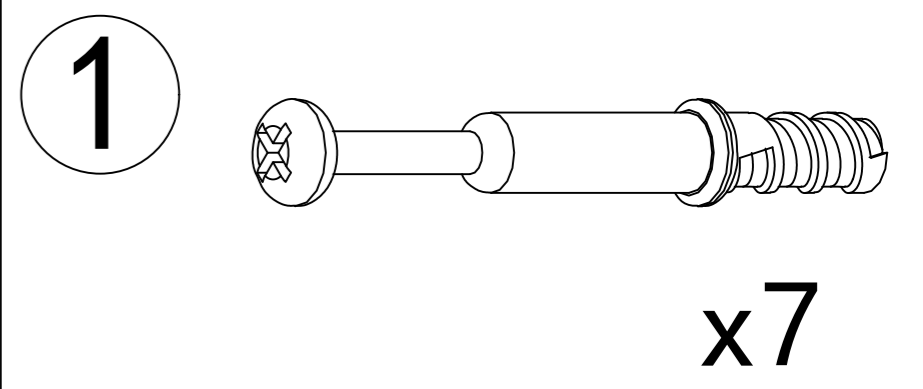
Note:



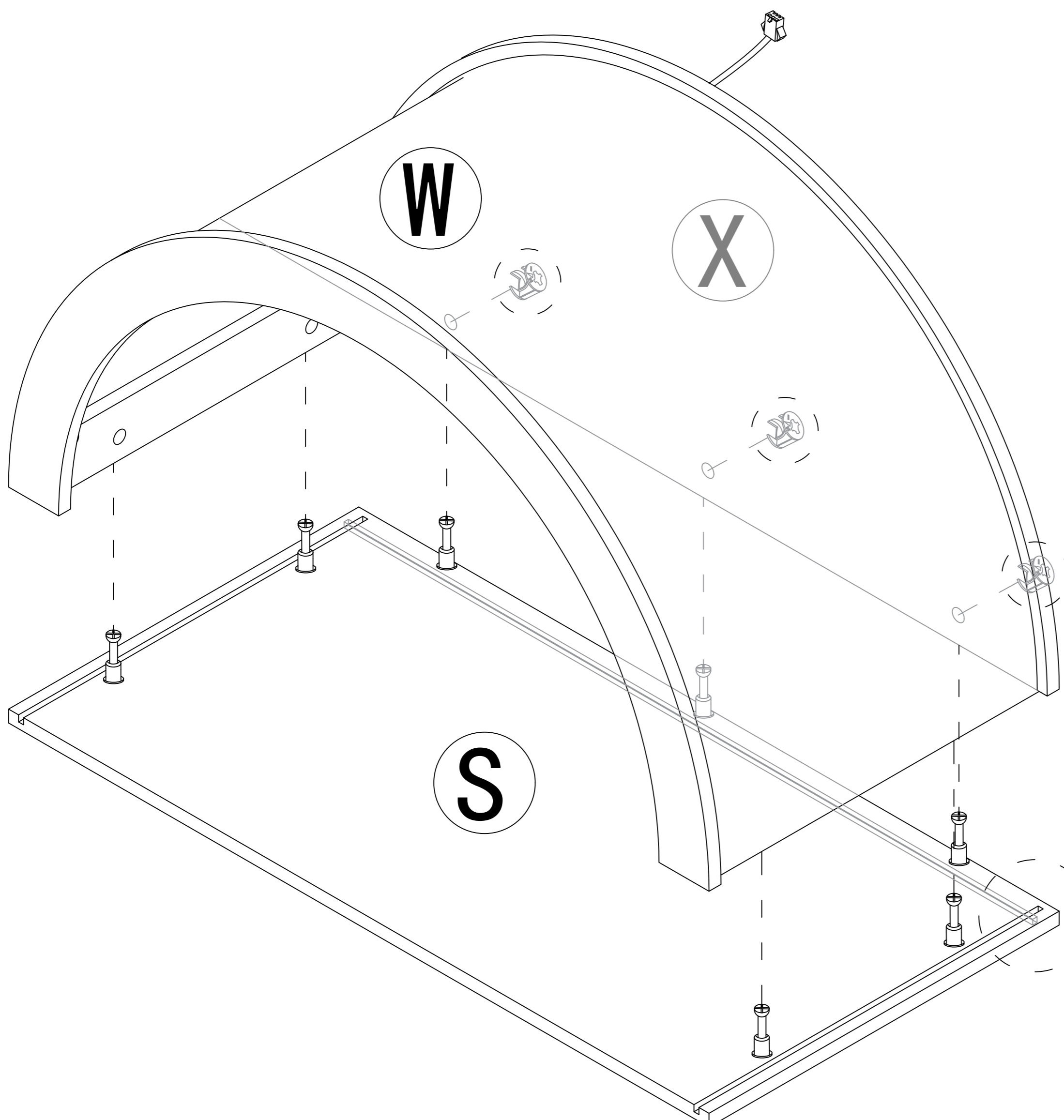
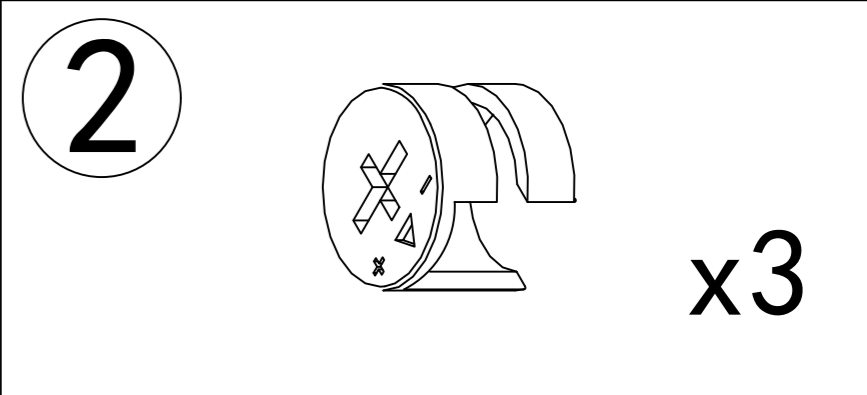
If it is difficult to push the W plate in, you can use the pull method.



Step 46



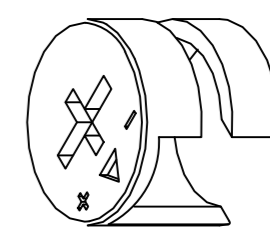
Step 47



When installing the S plate, pay attention to the front and back, and there is a groove under the X plate.

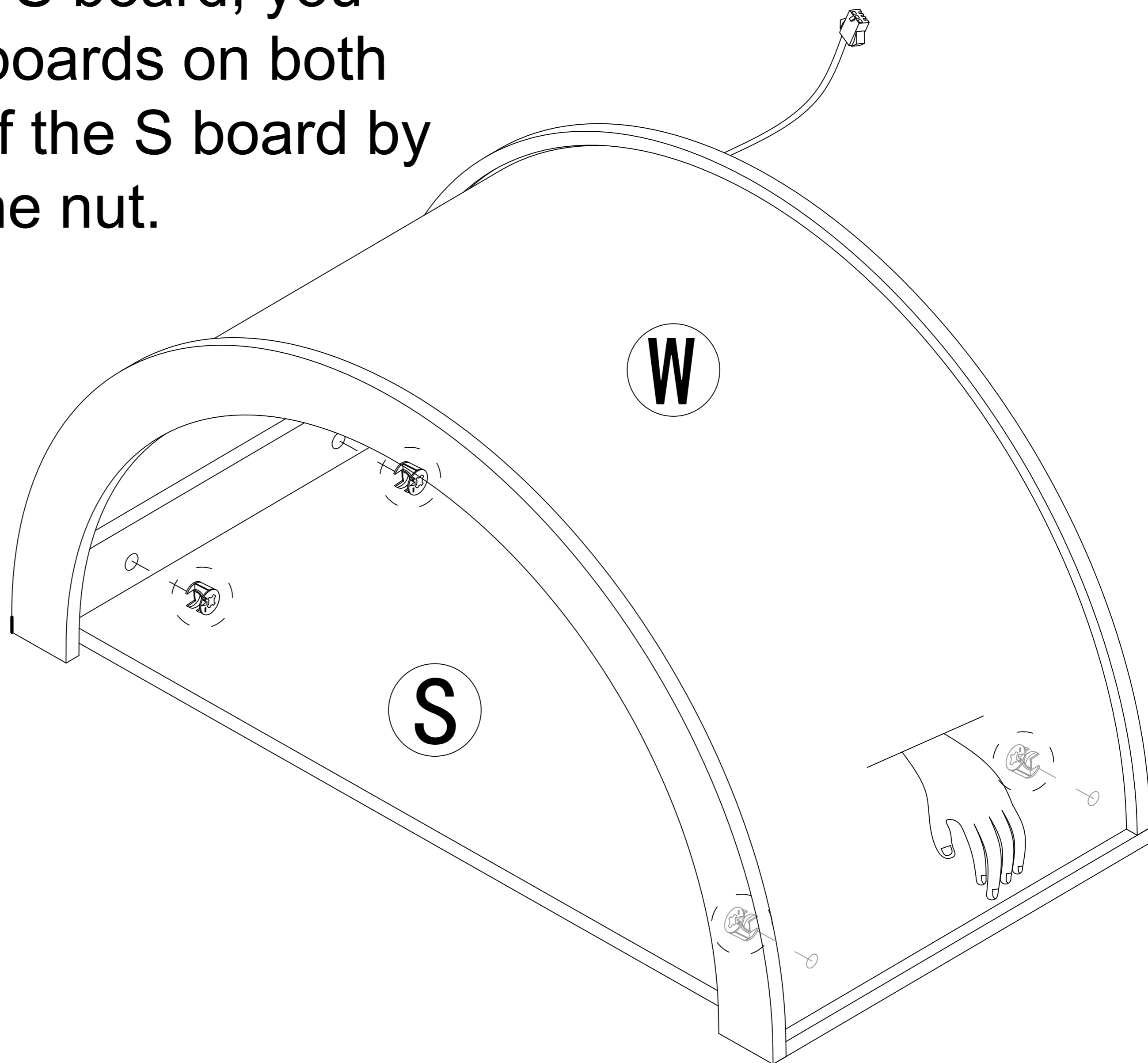
Step 48

2



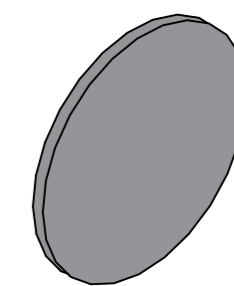
x4

Note: After installing the S board, you need to pat the W backboards on both sides into the grooves of the S board by hand and then tighten the nut.

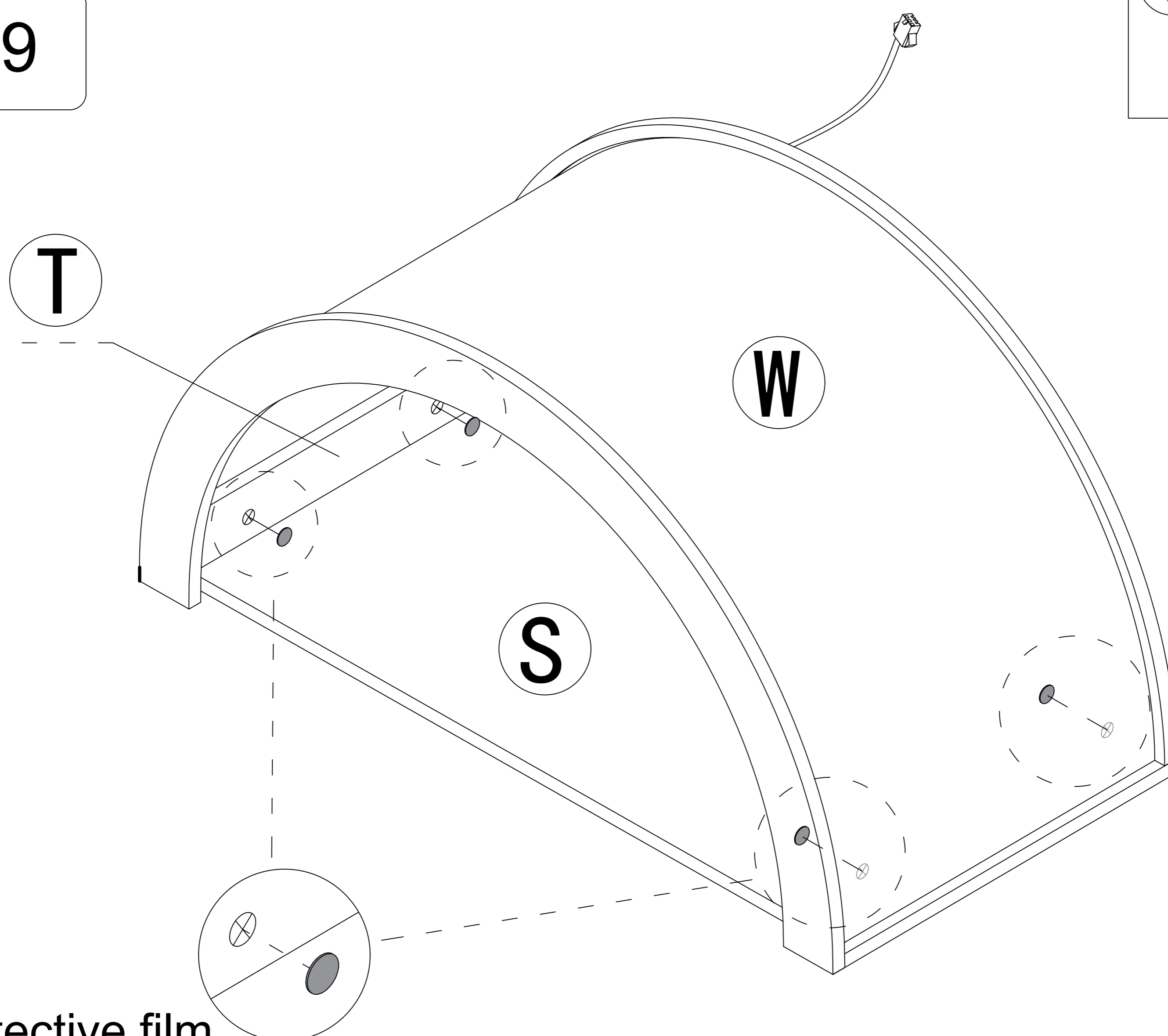


Step 49

9



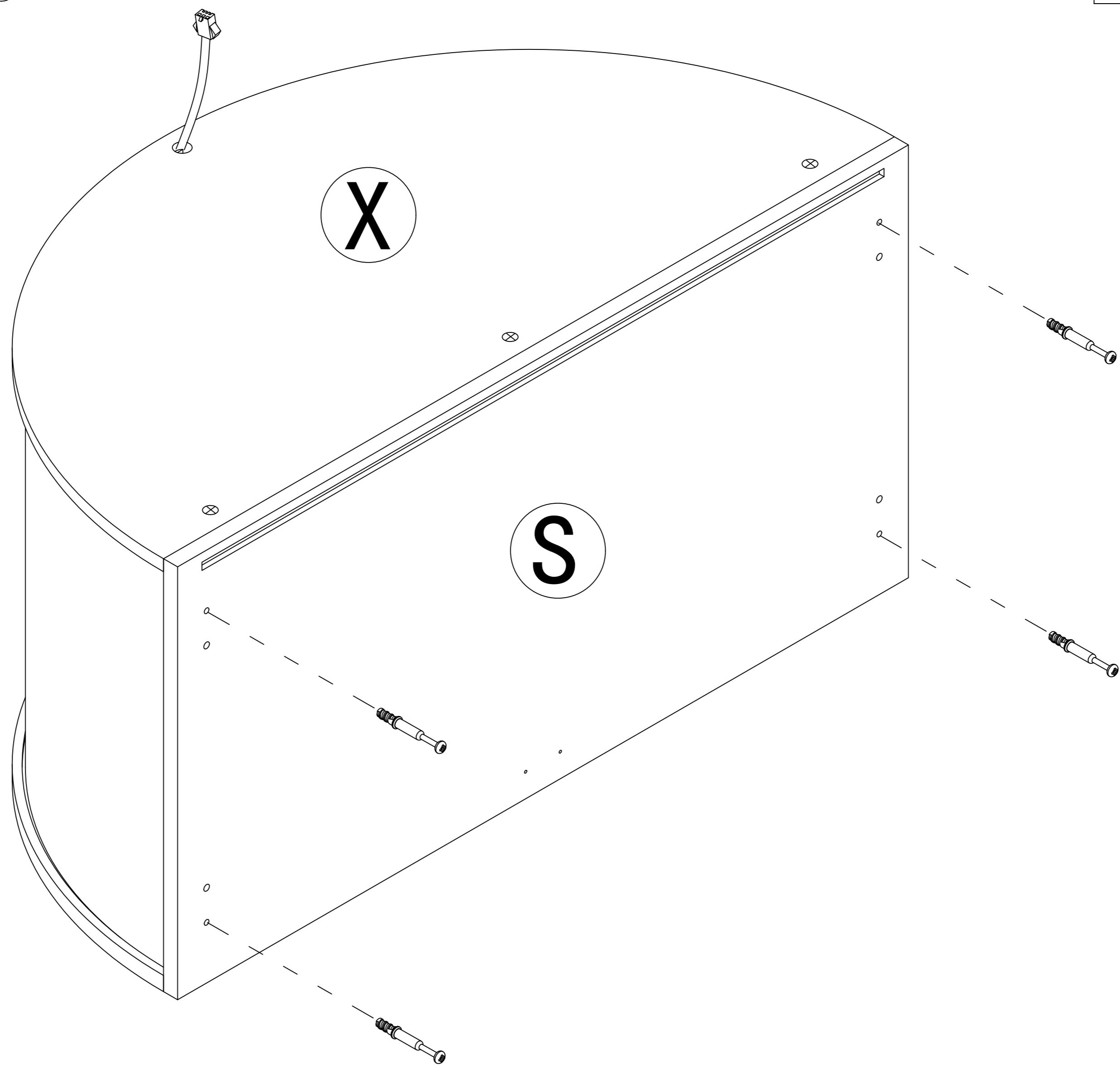
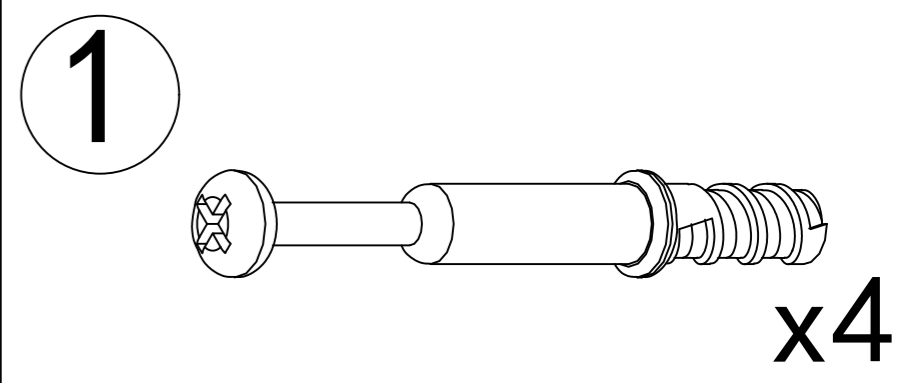
x4



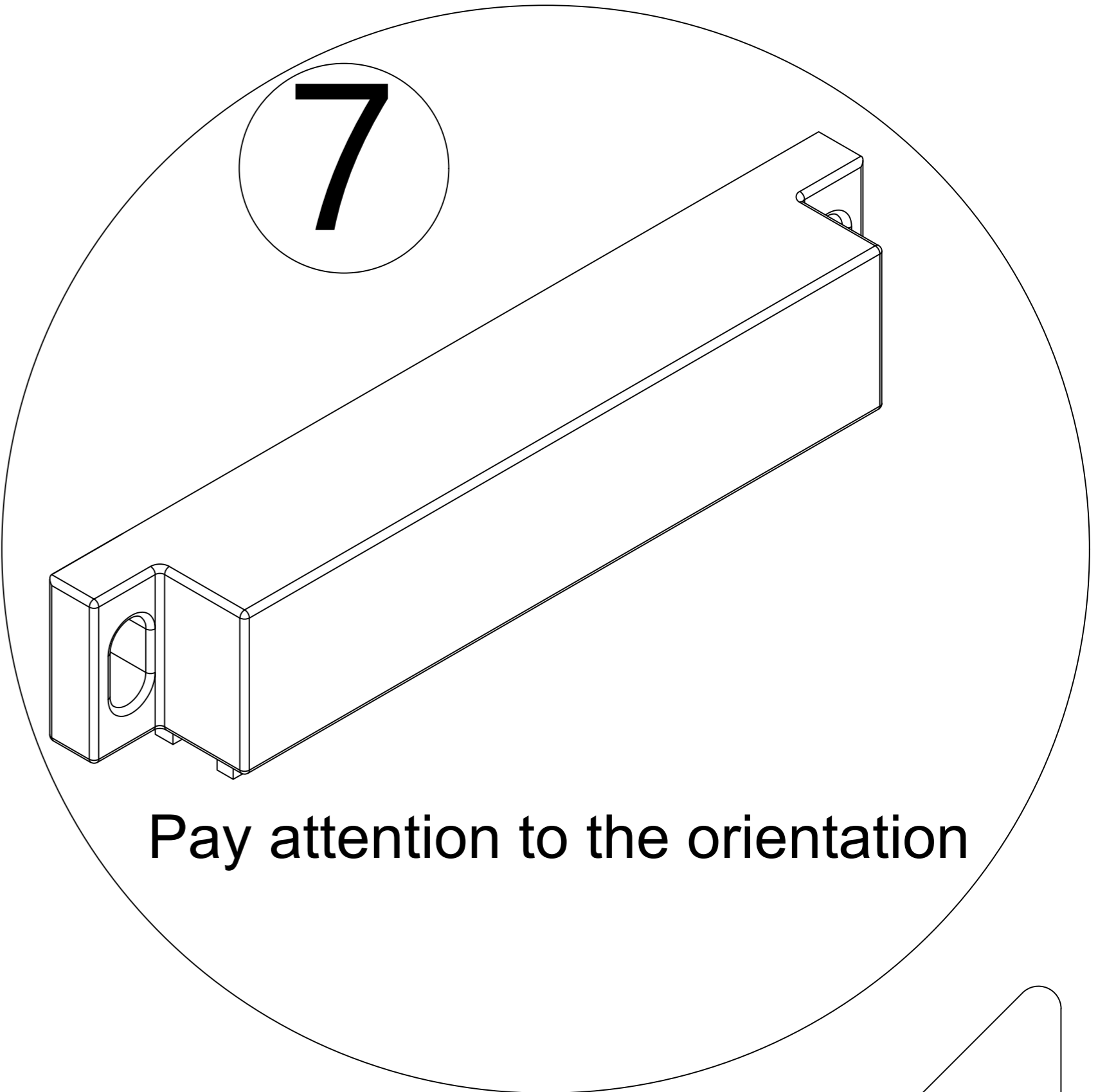
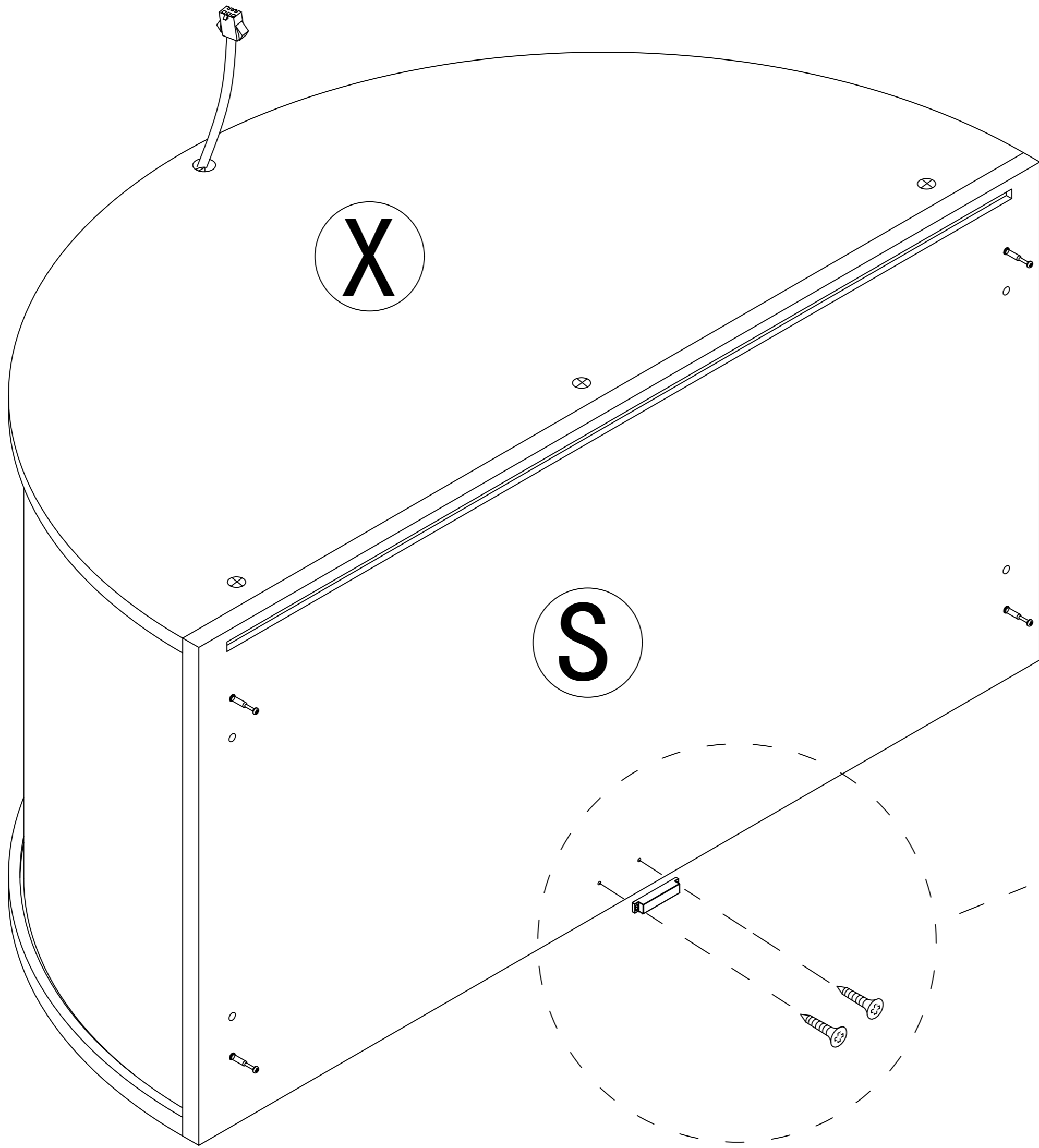
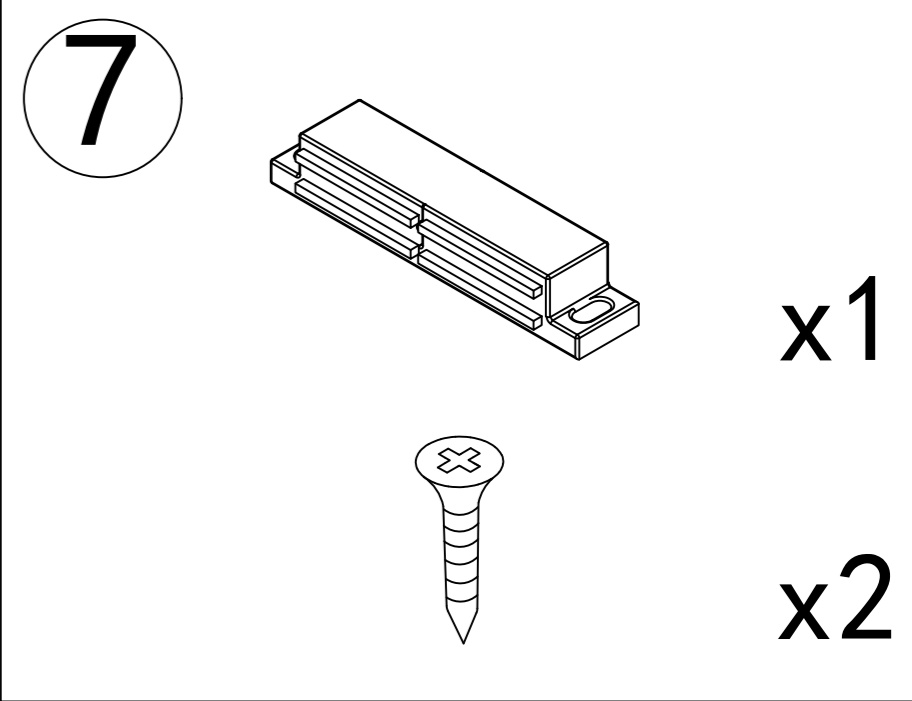
Tear off the protective film before installation

36

Step 50

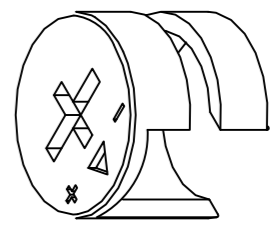


Step 51

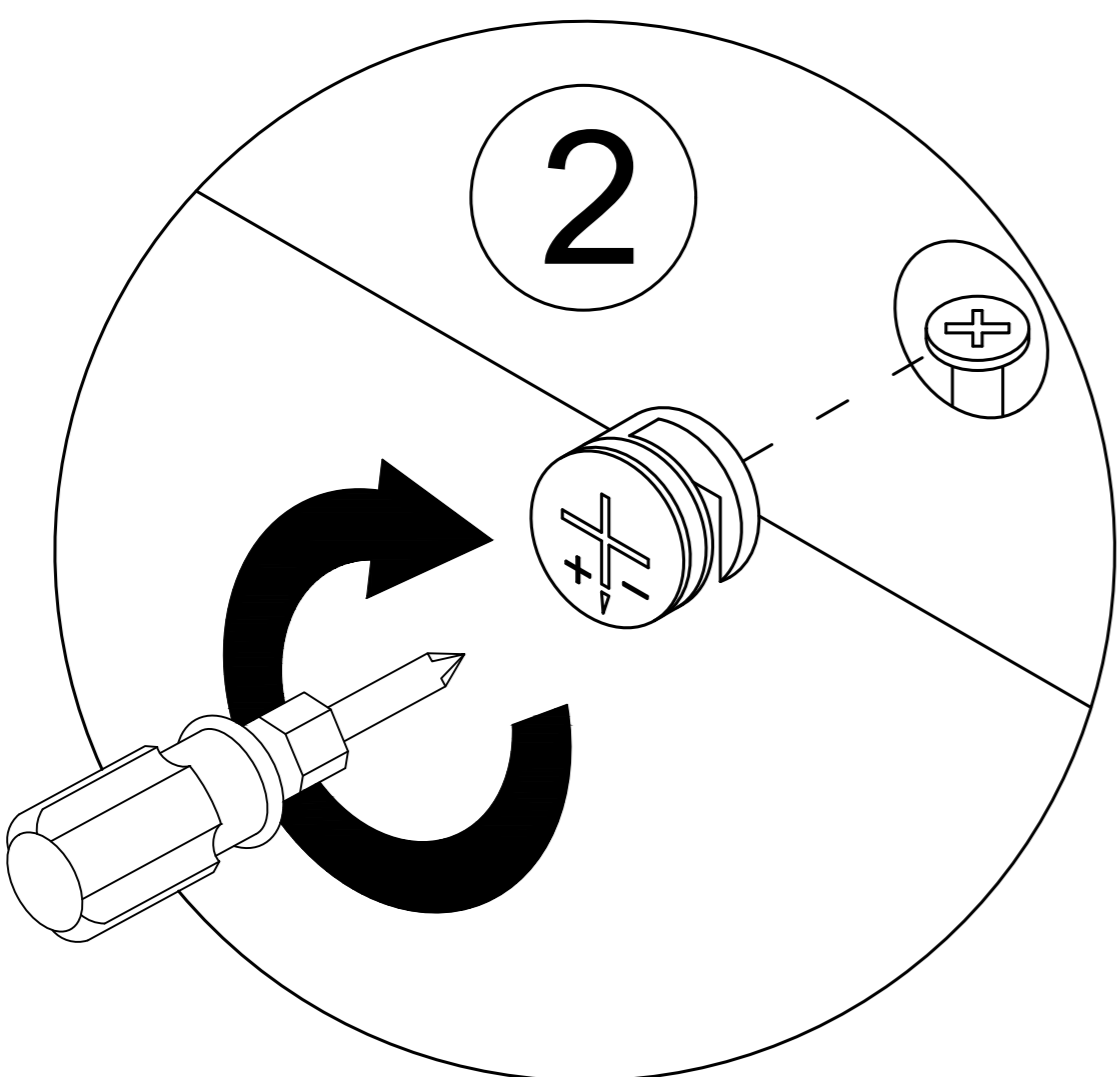
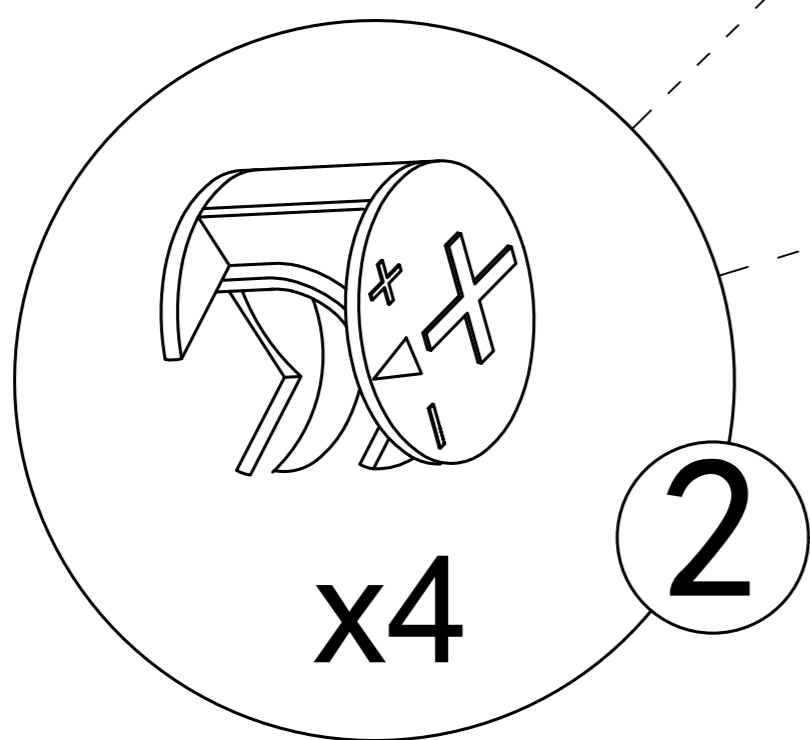
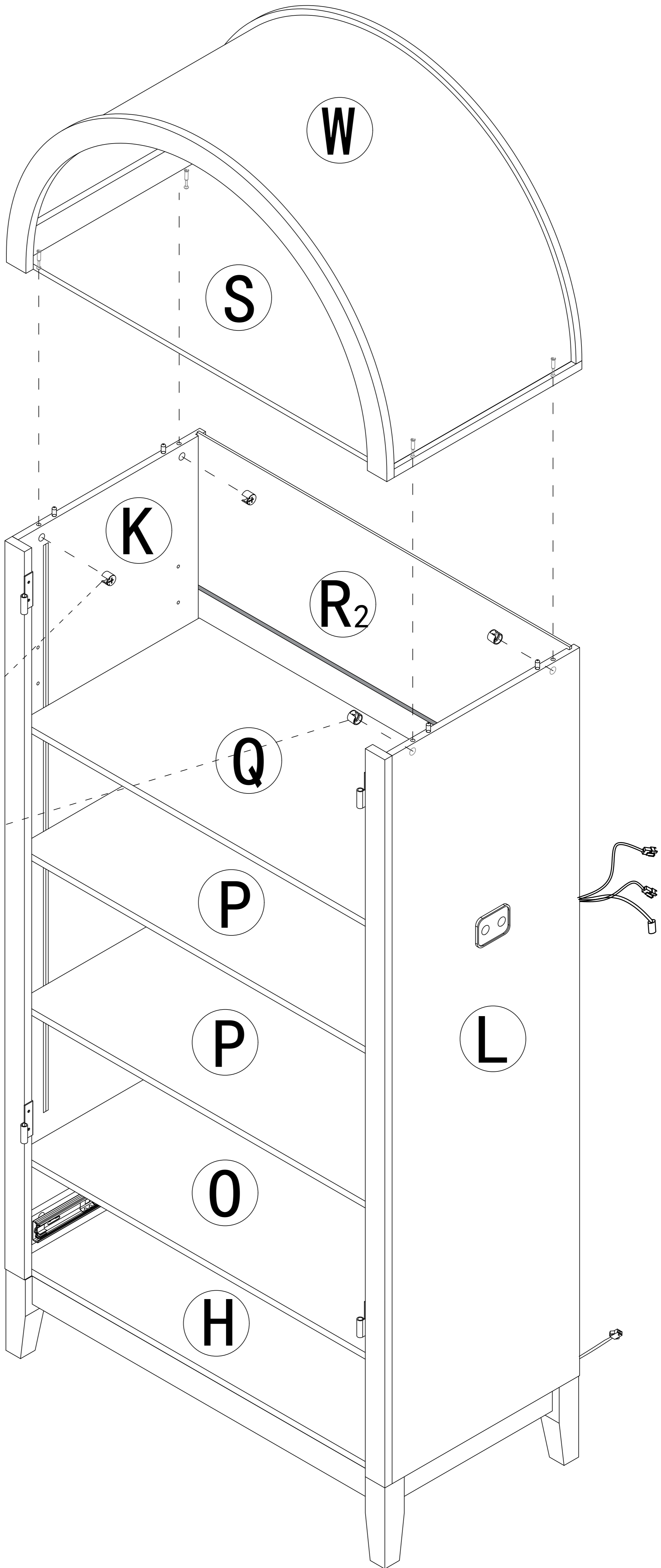


Step 52

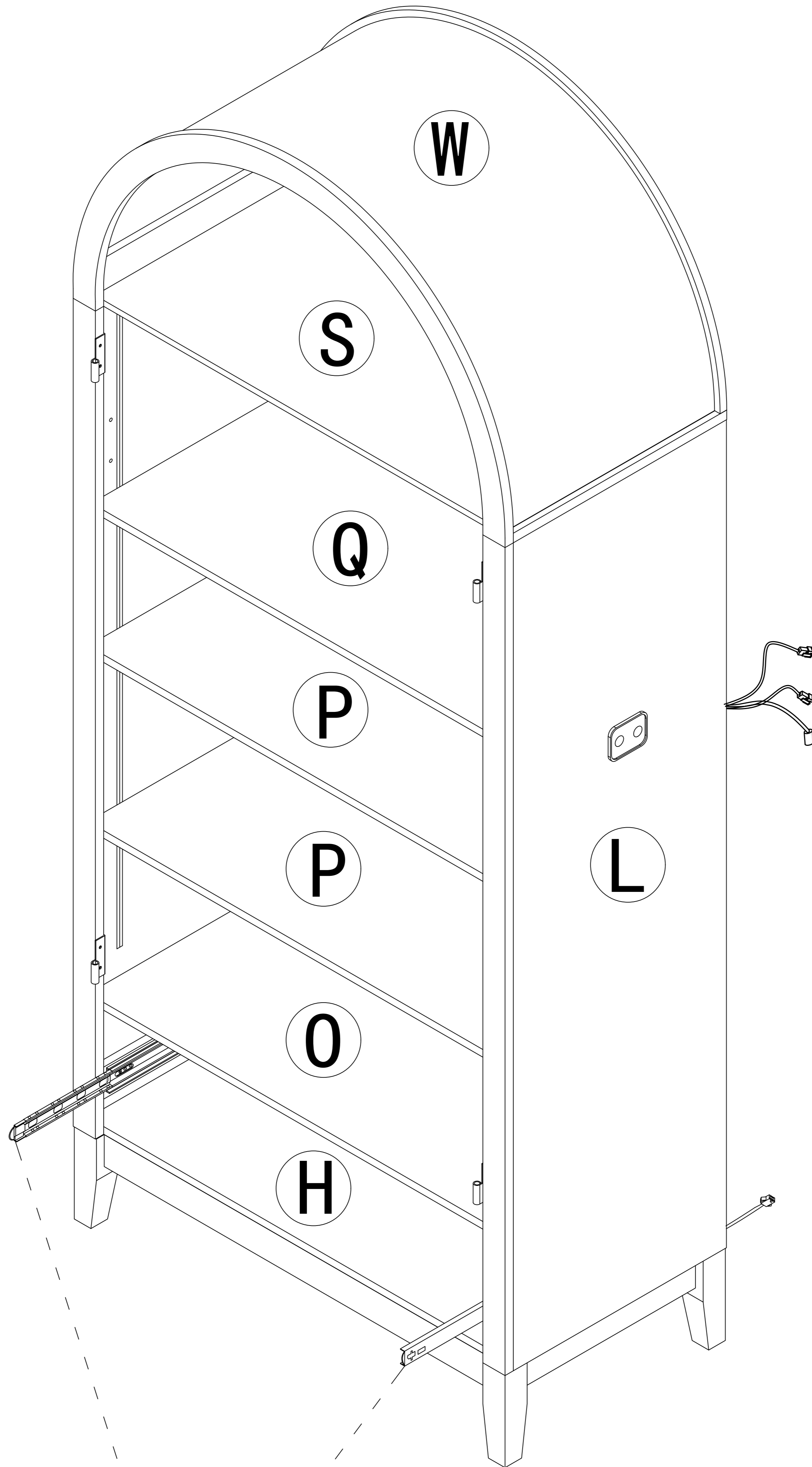
2



x4

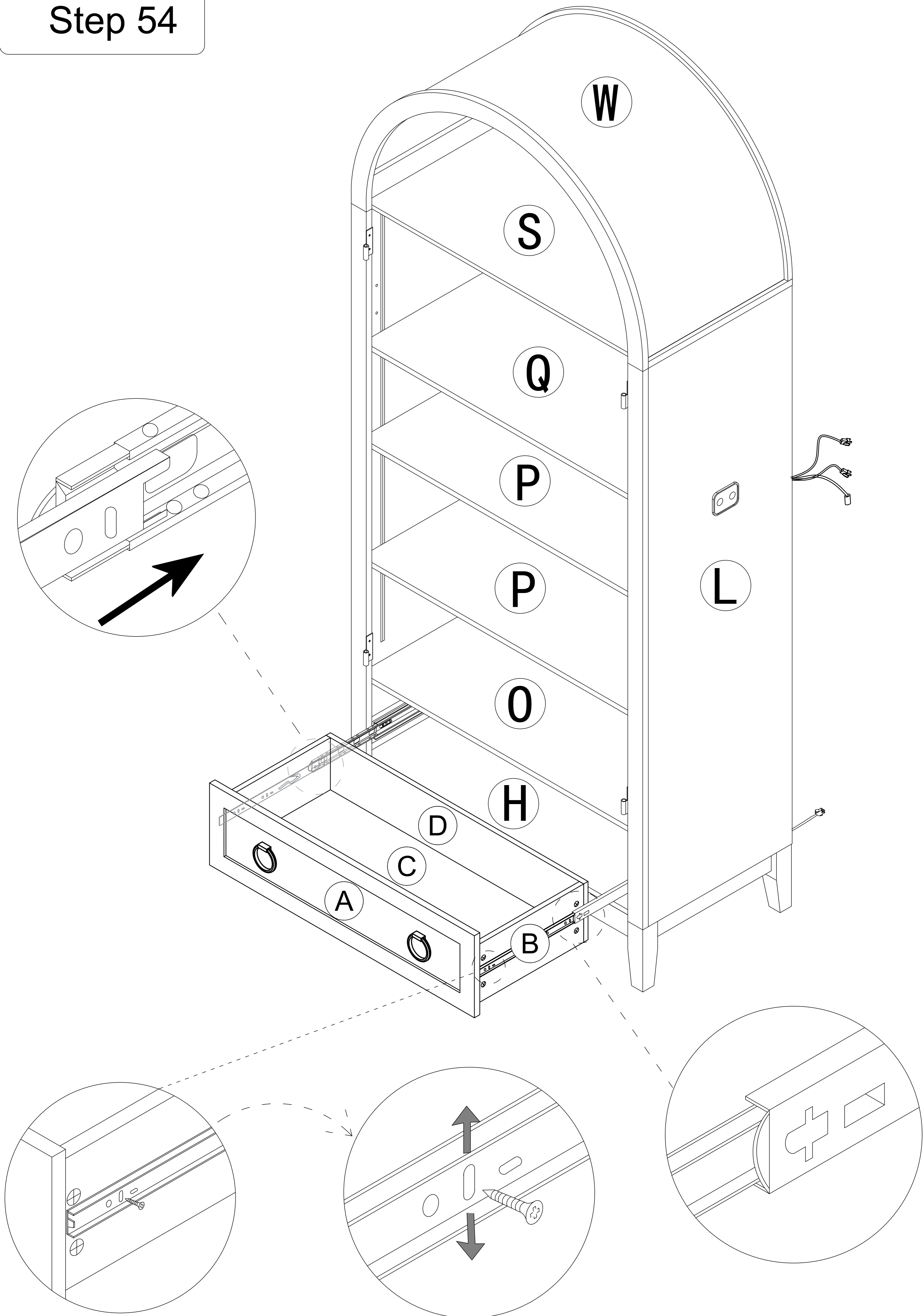


Step 53



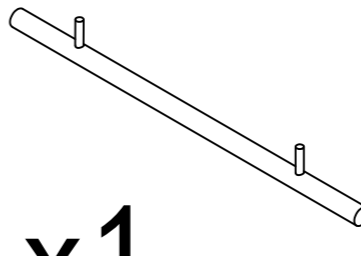
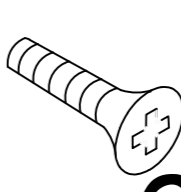
As shown, When installing the drawer, pull the guide rail out first, Slide beads are also pulled out.

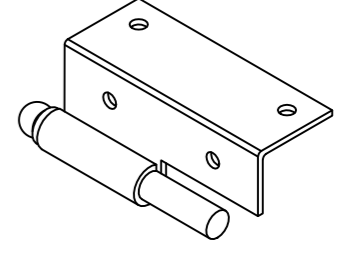
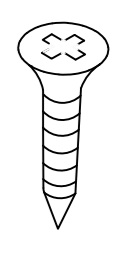
Step 54

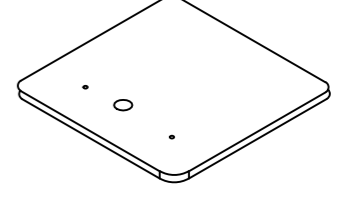
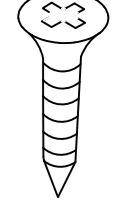


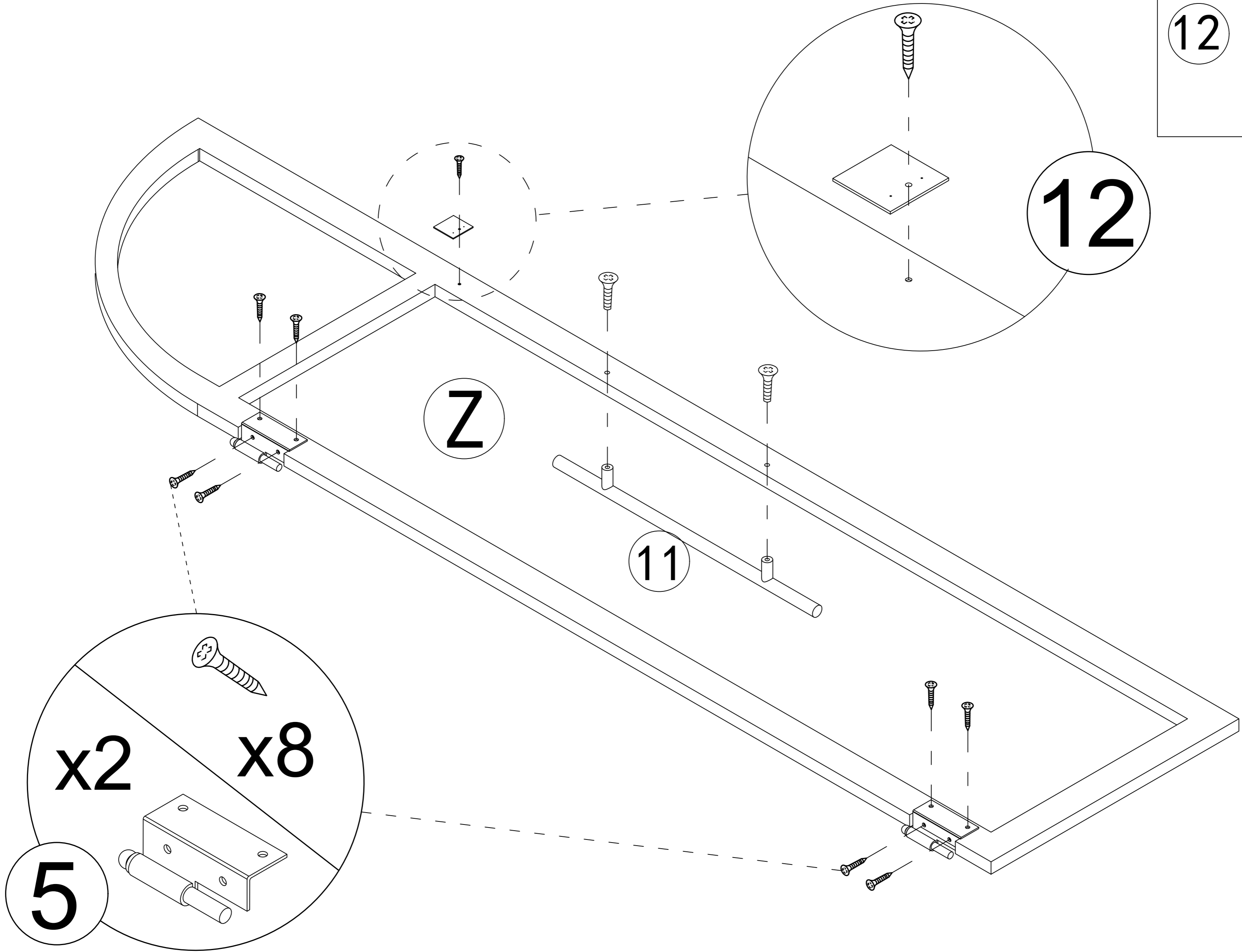
If a large gap is found after installing the drawer the slide rail can be moved up and down to adjust the gap

Step 55

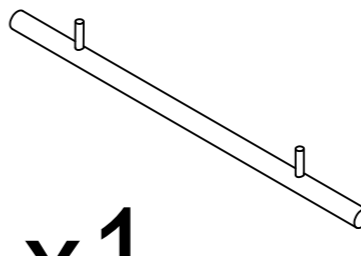
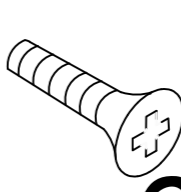
11		
	x1	x2

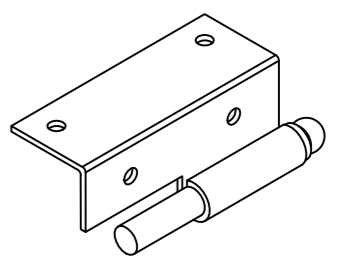
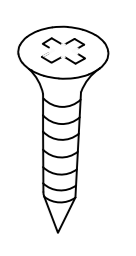
5		
	x2	x8

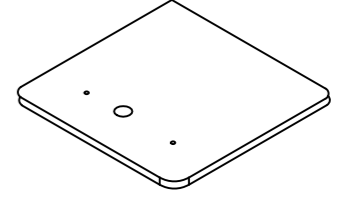
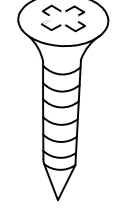
12		
	x1	x1

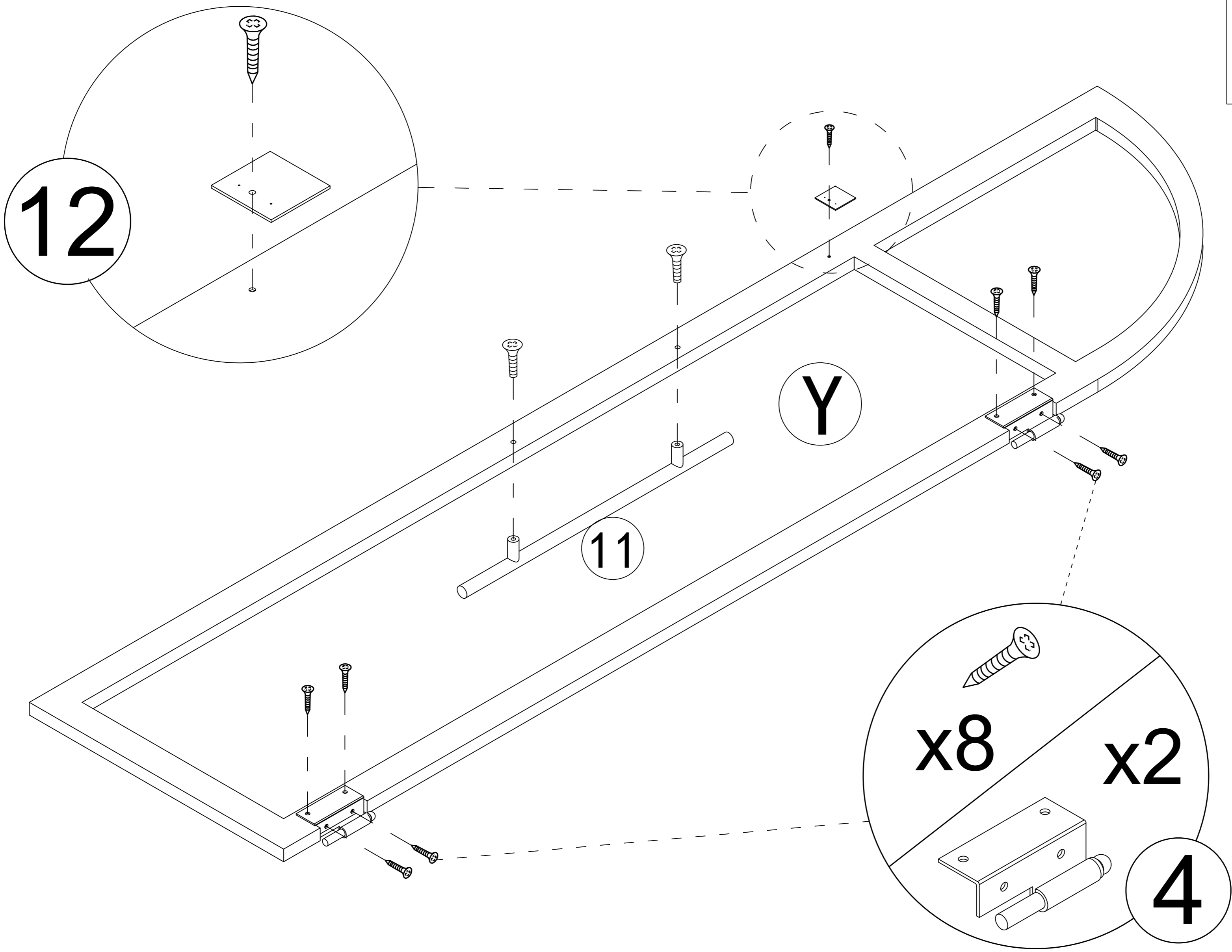


Step 56

11		
	x1	x2

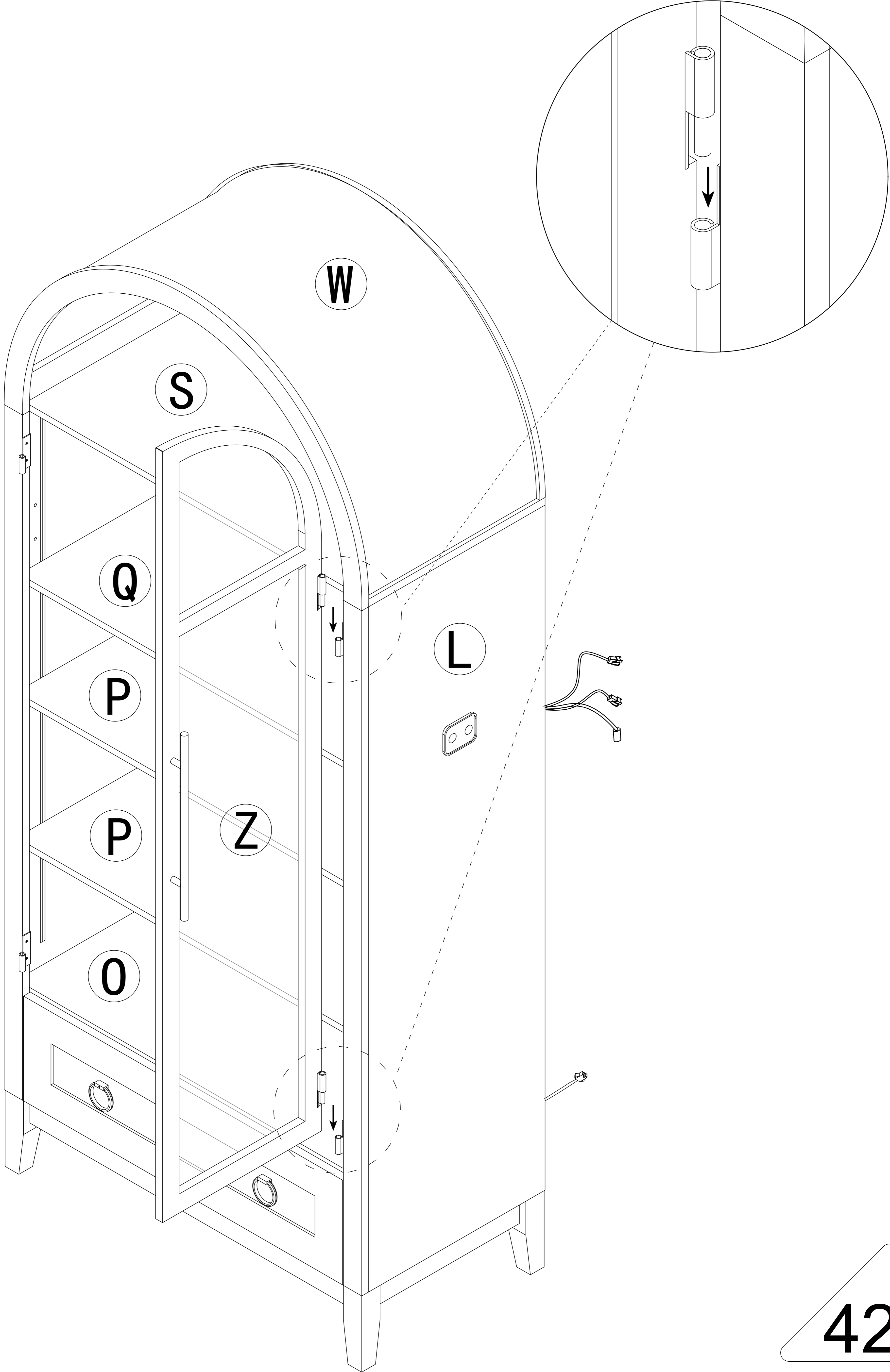
4		
	x2	x8

12		
	x1	x1



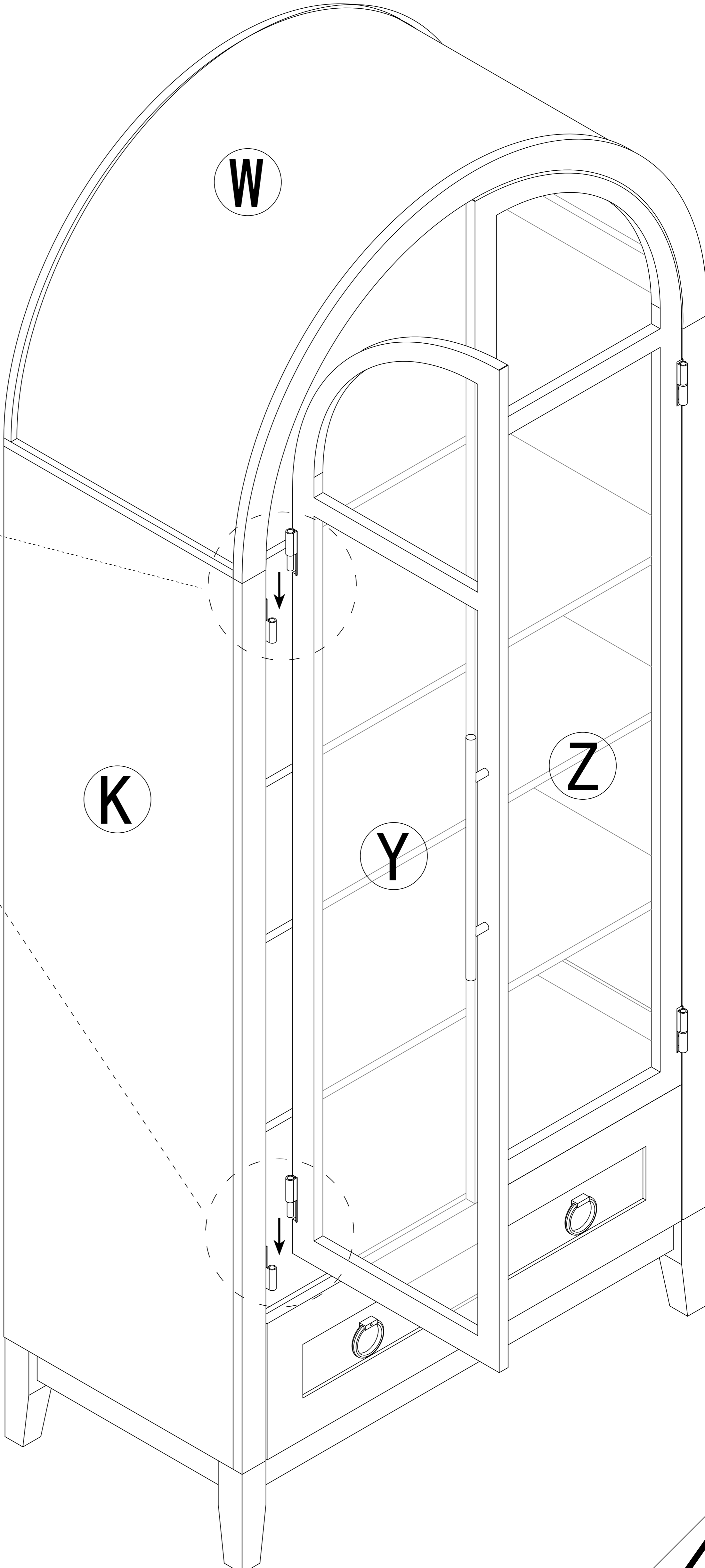
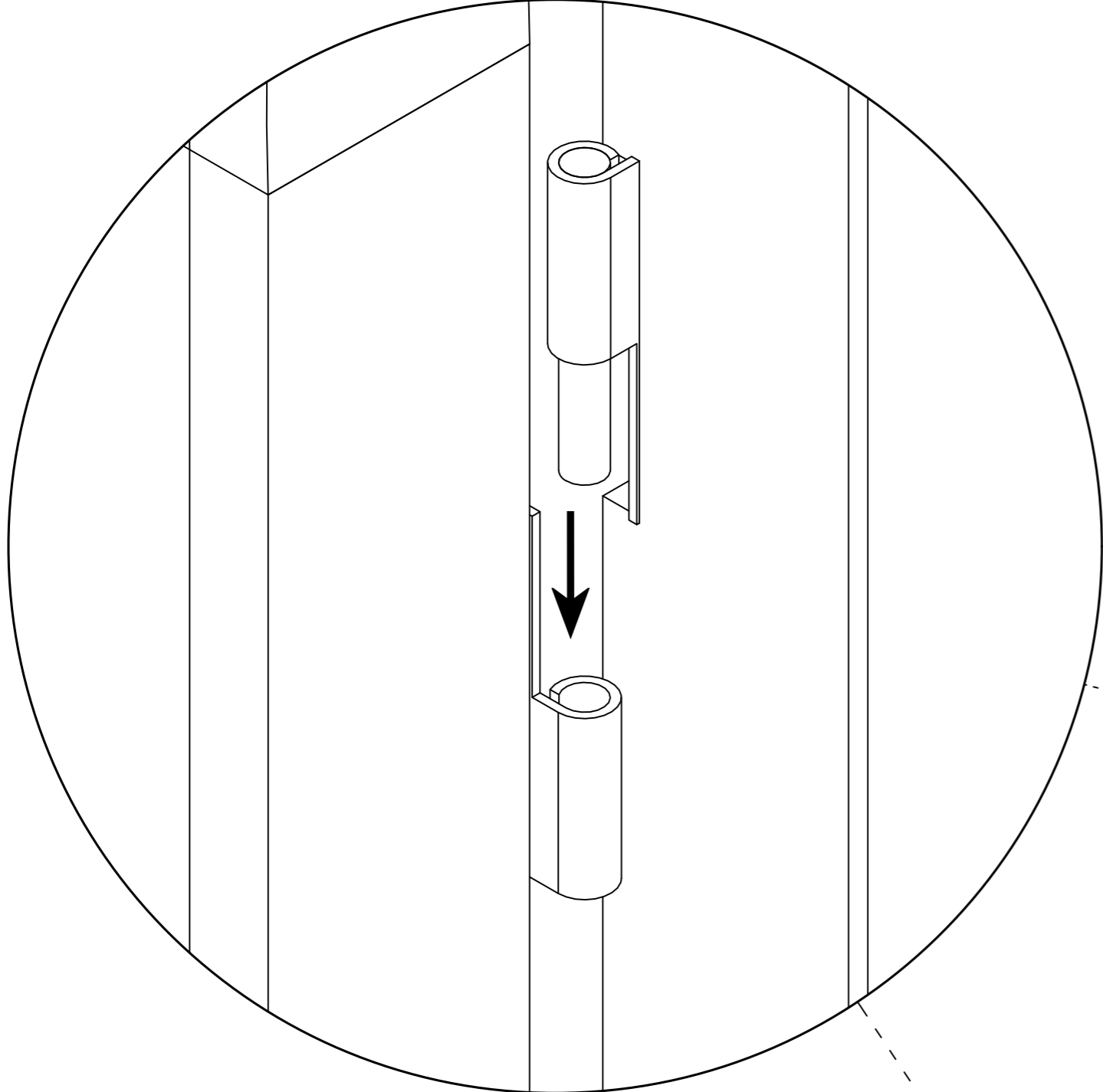
Step 57

Place the door panel into the hinge card slot

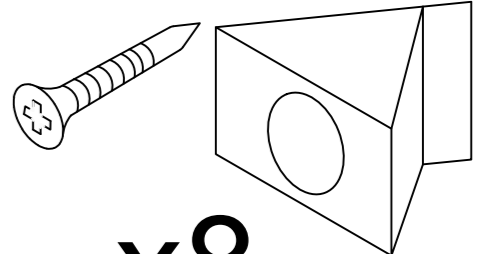


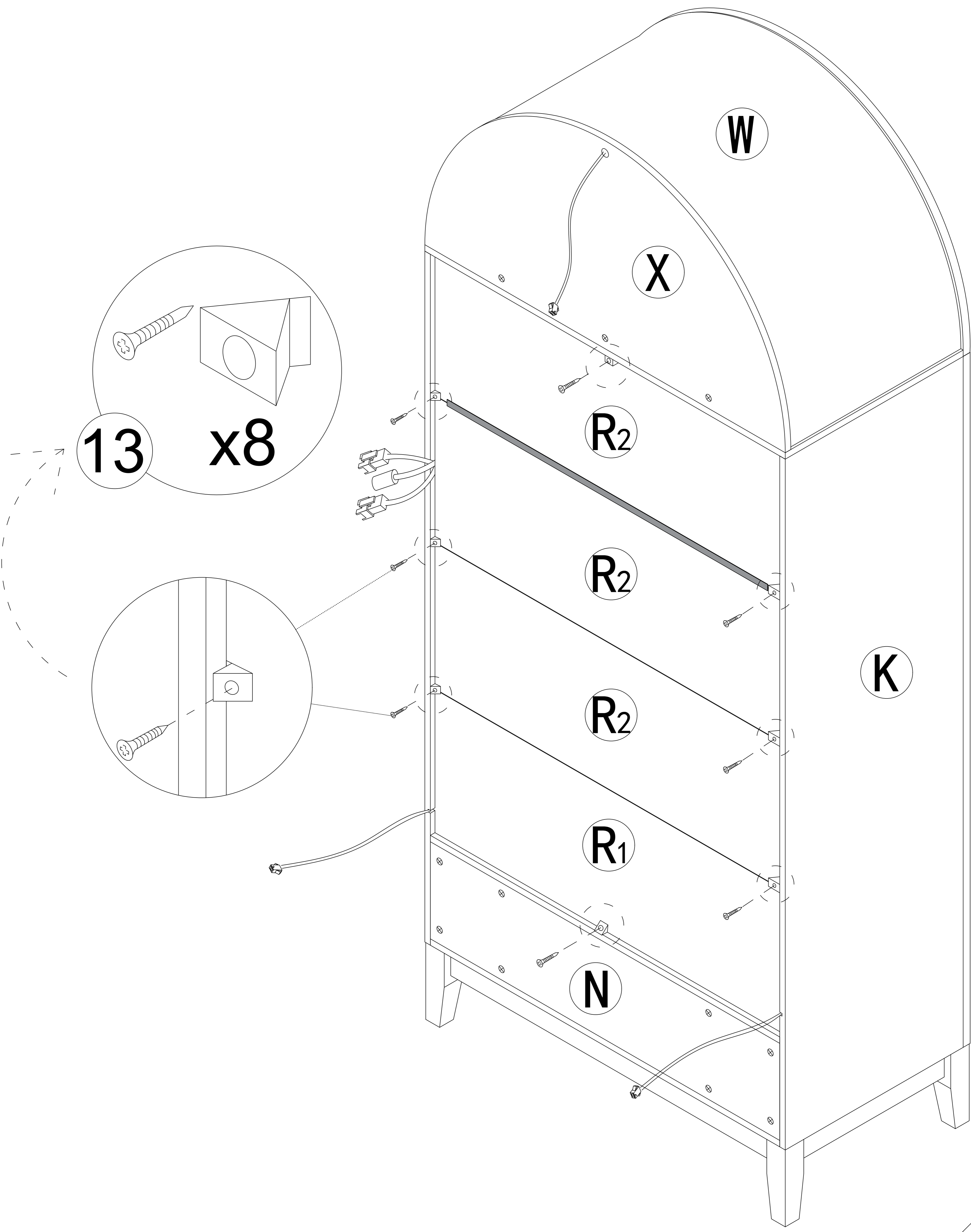
Step 58

Place the door panel into the hinge card slot

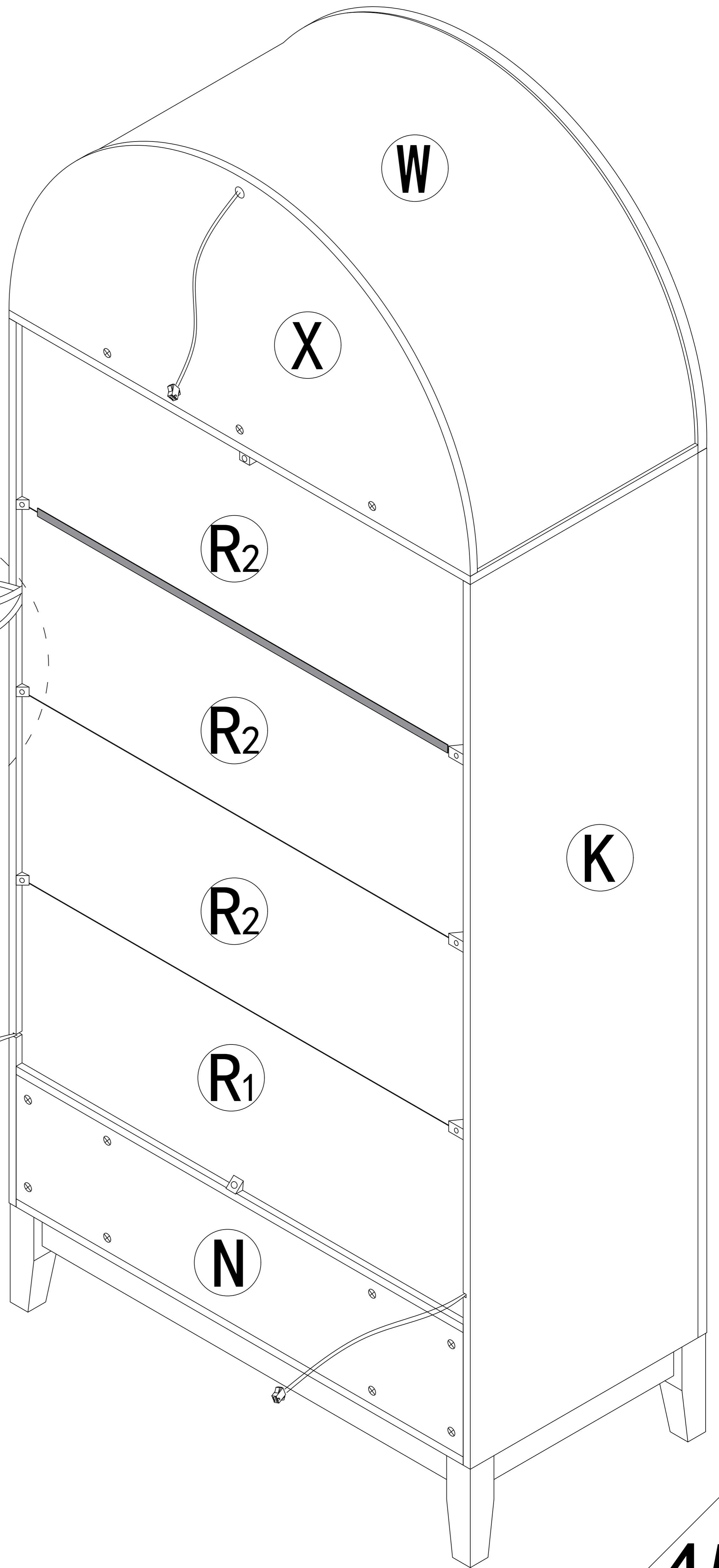
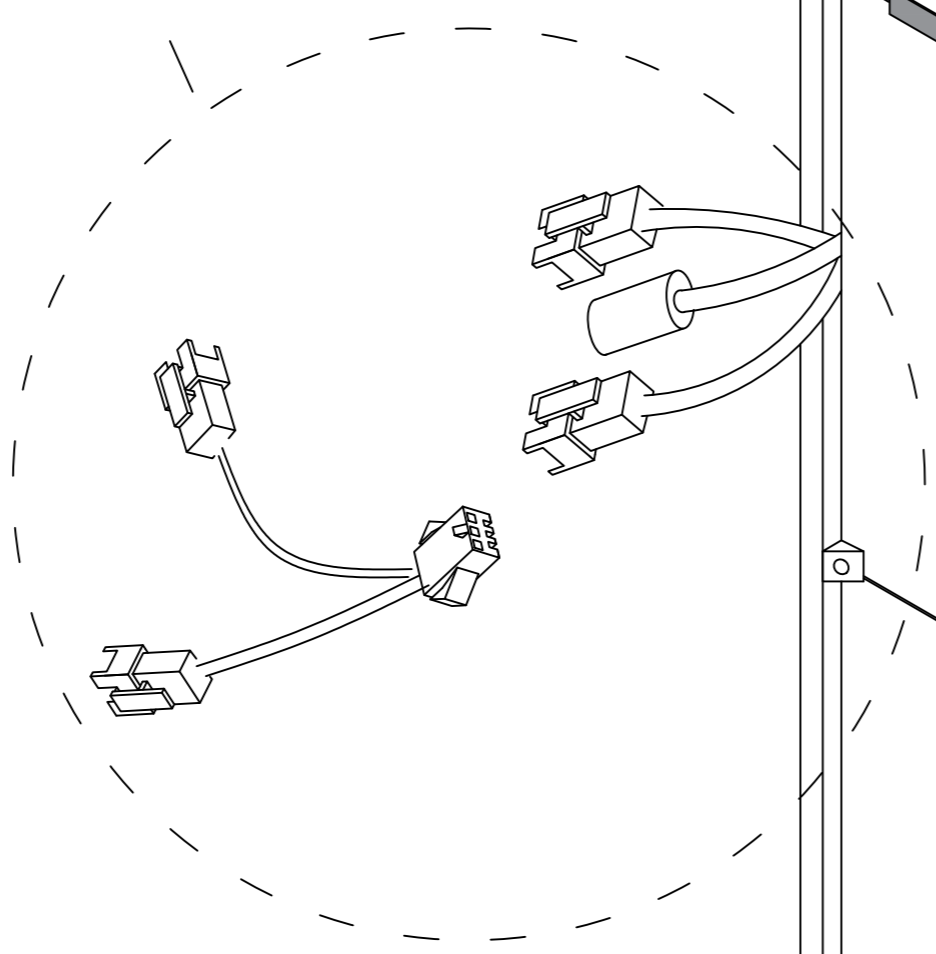
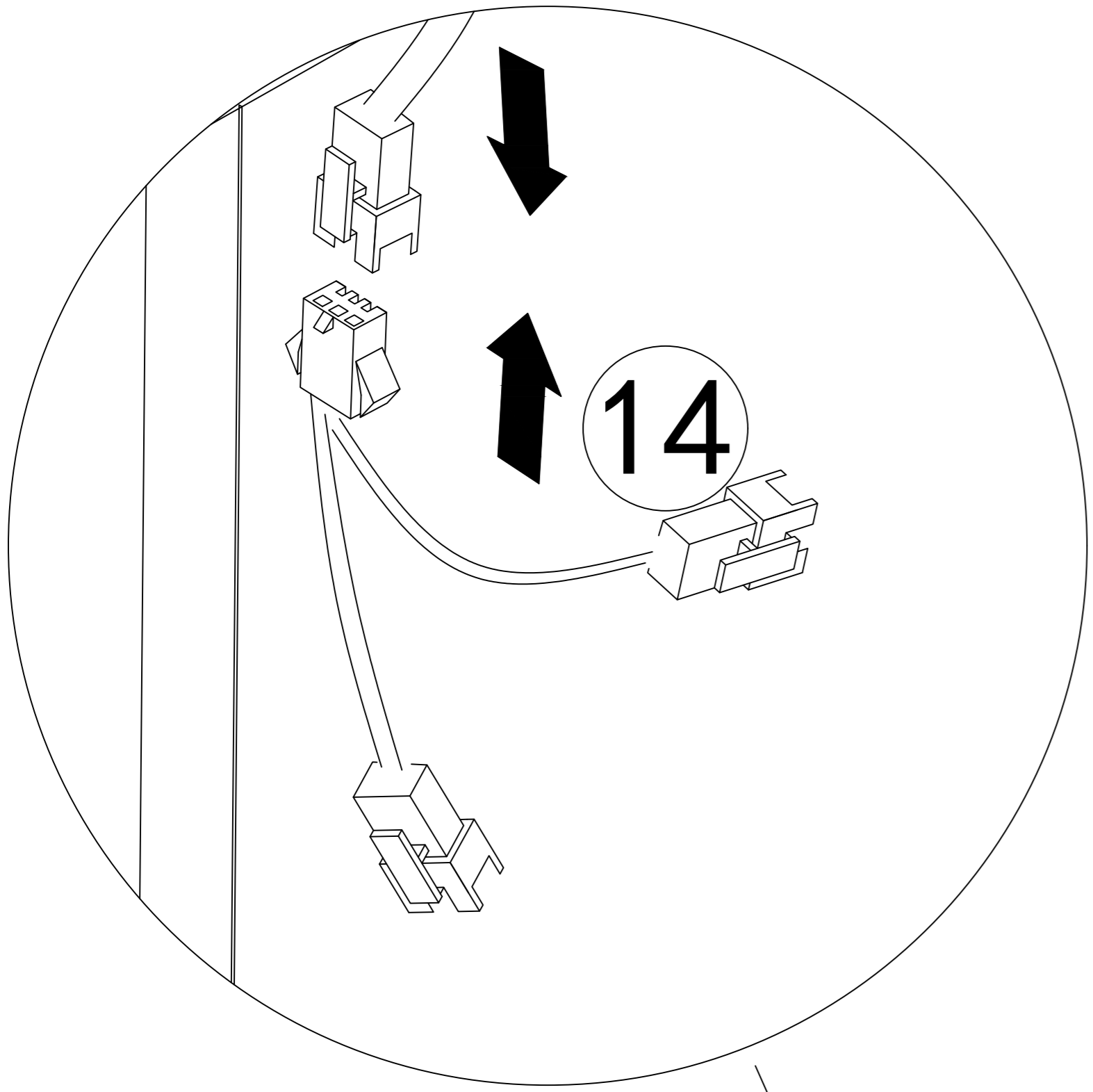
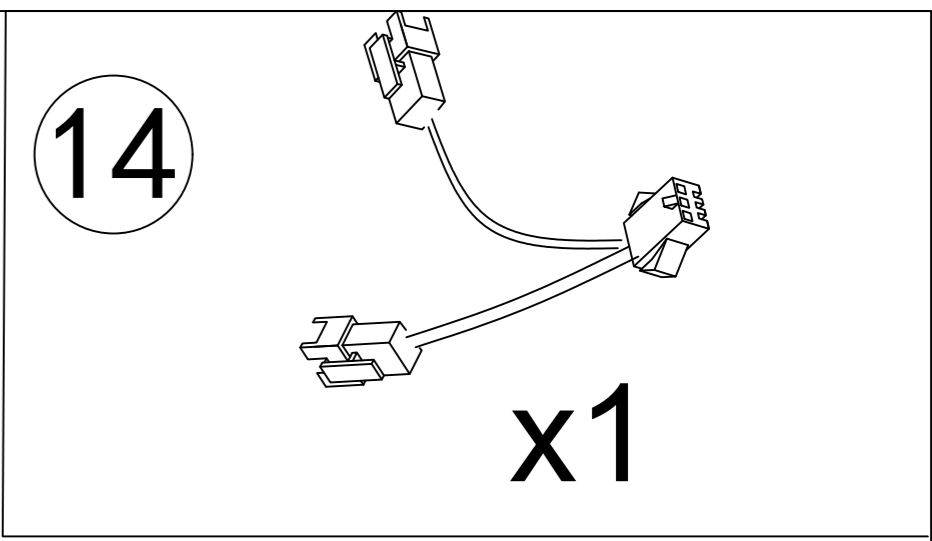


Step 59

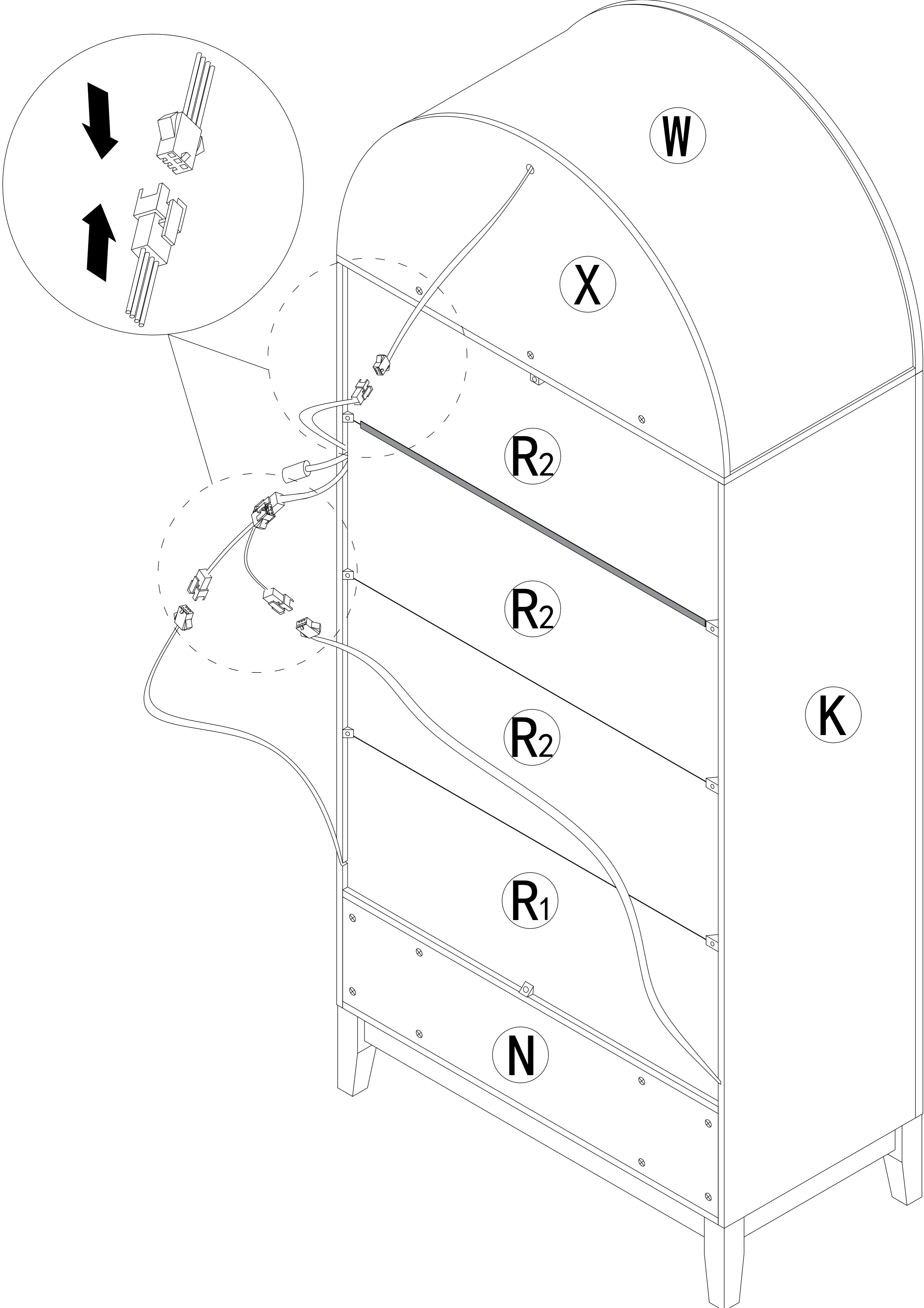
13 
x8




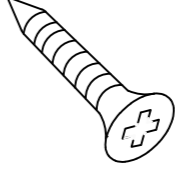

Step 60

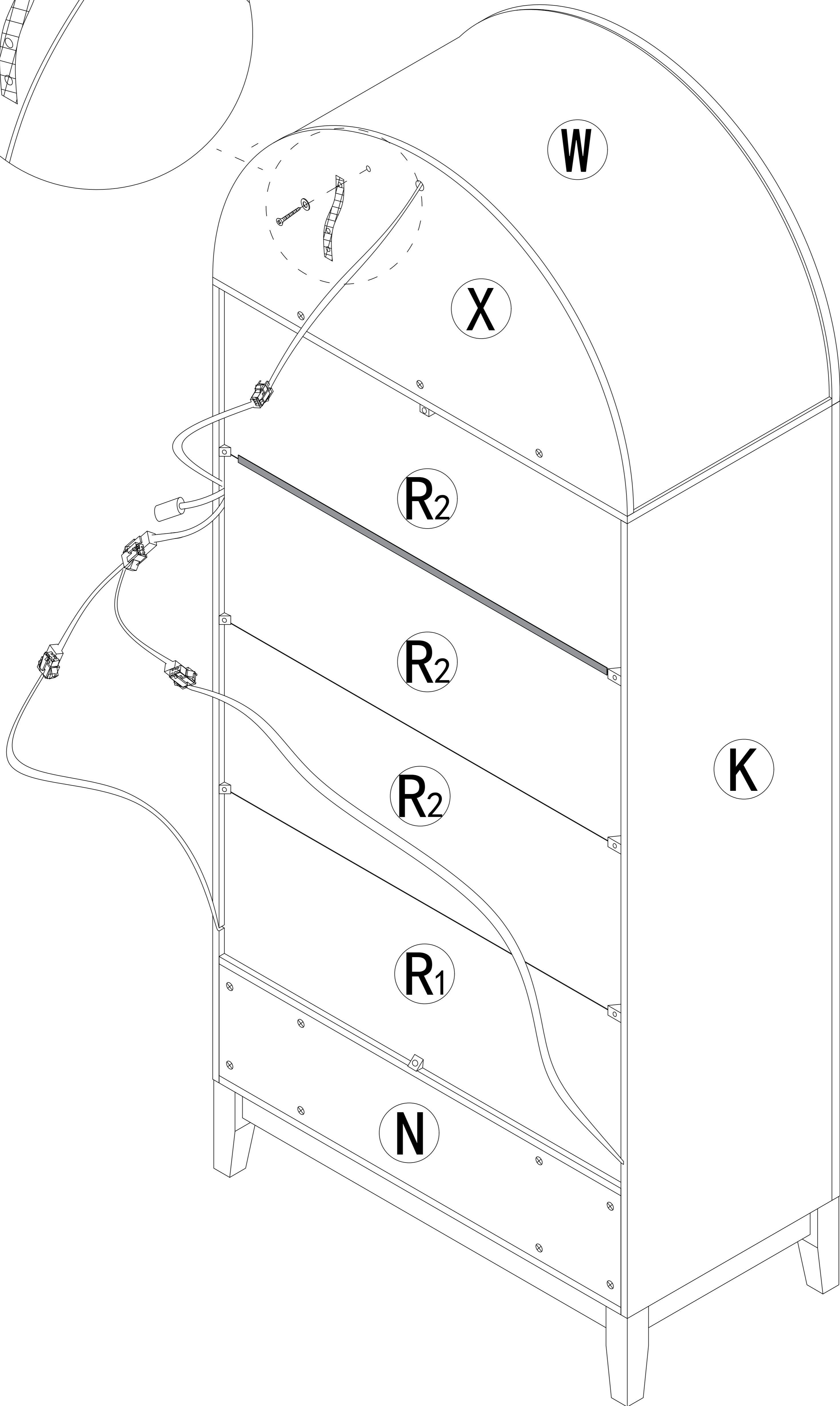
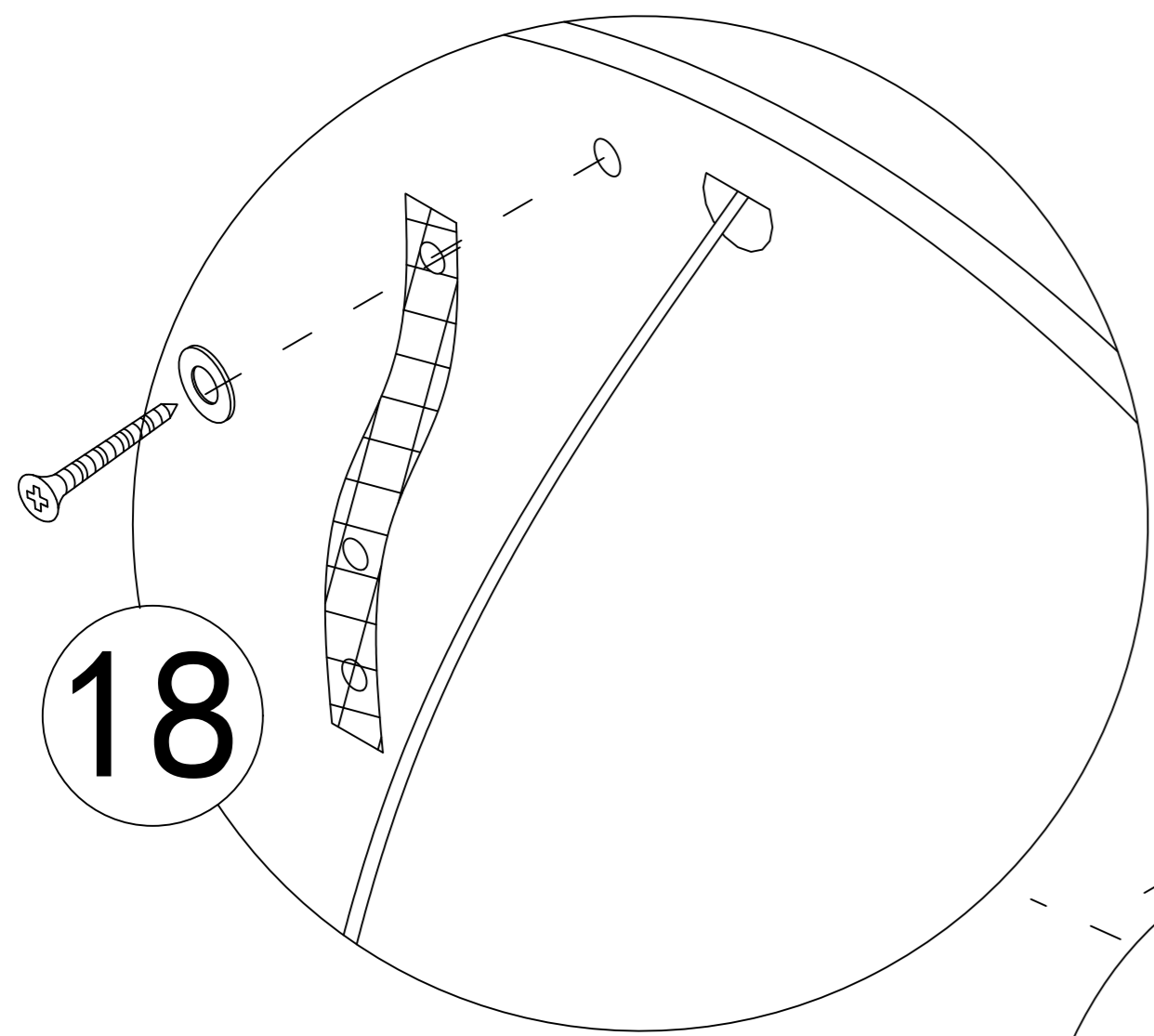


Step 61

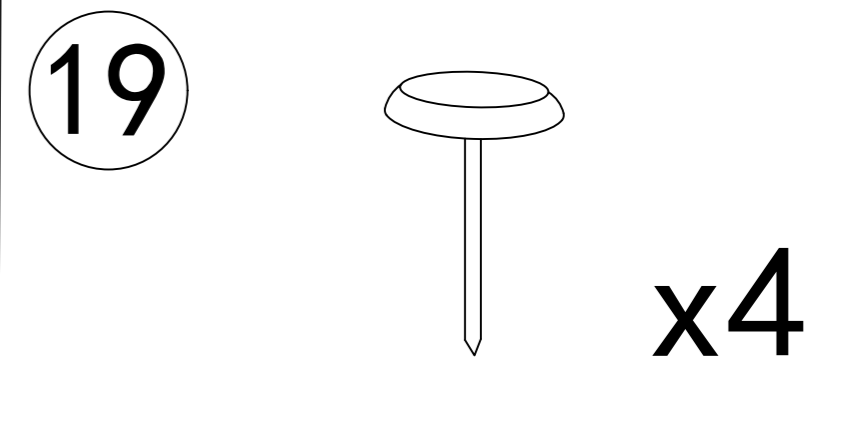


Step 62

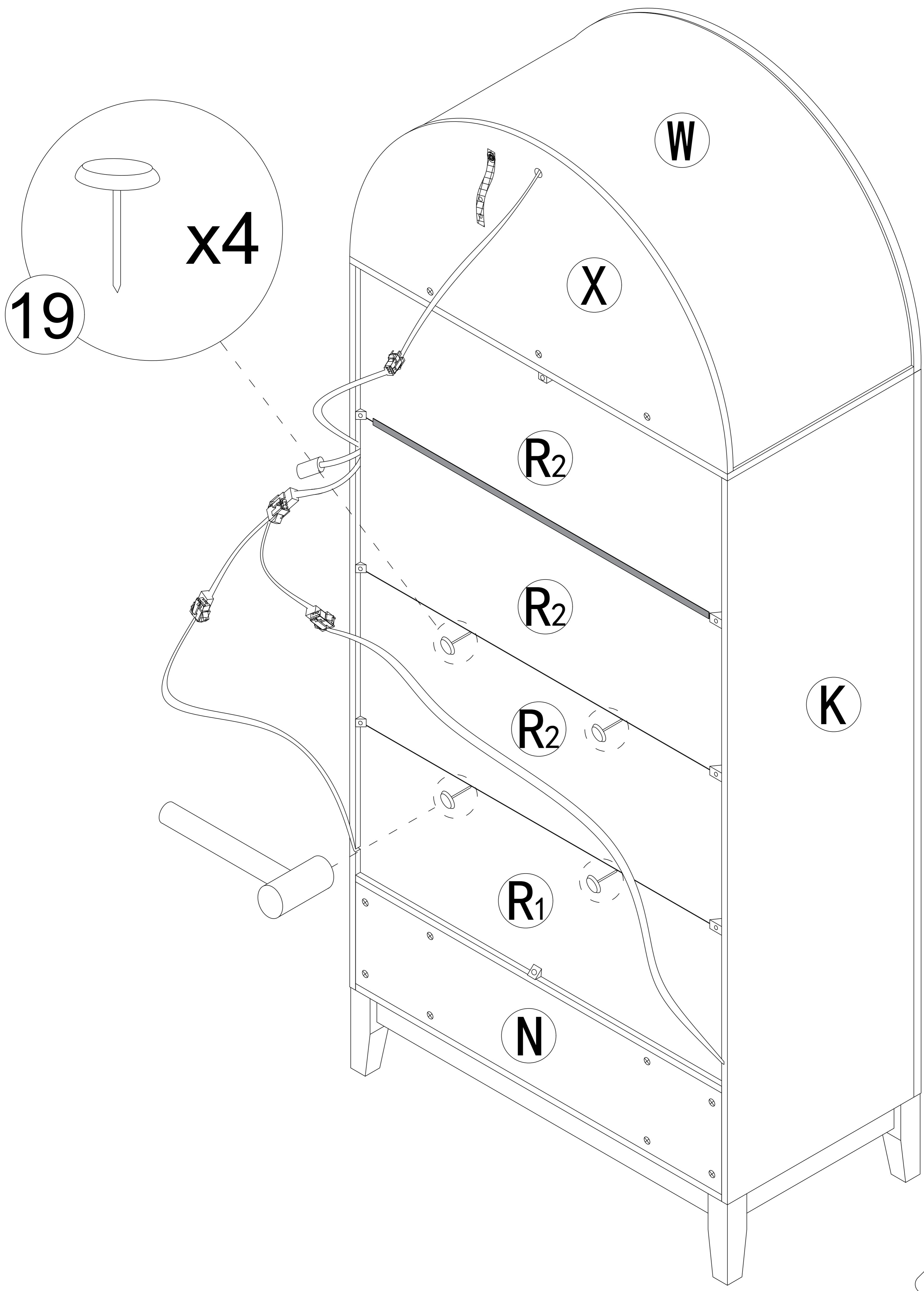
- 18  1pcs
-  1pcs
-  1pcs



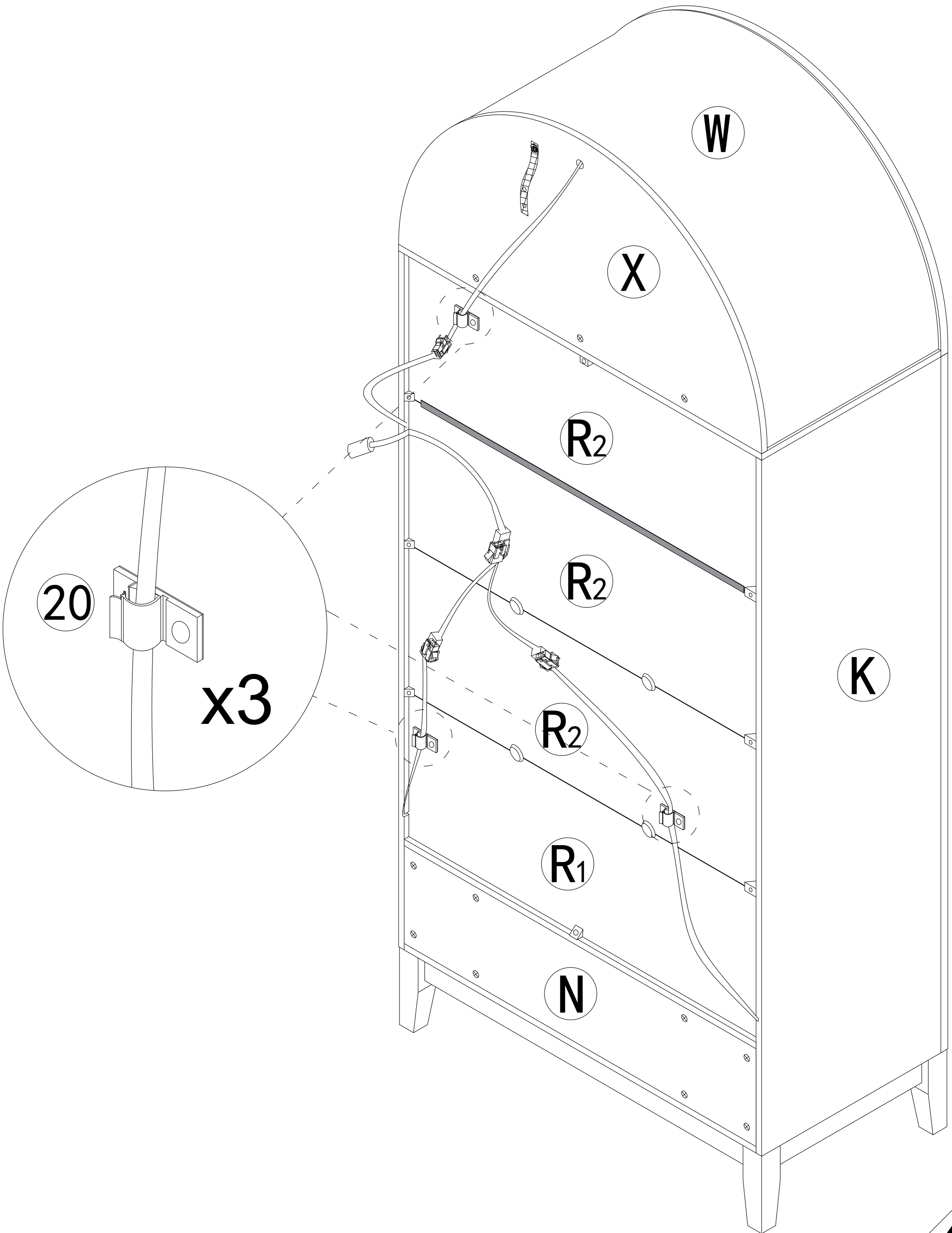
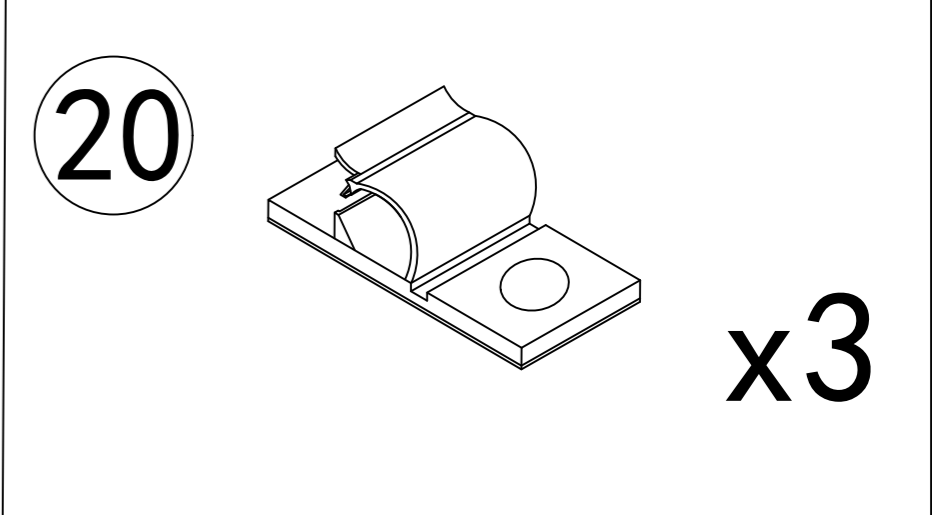
Step 62



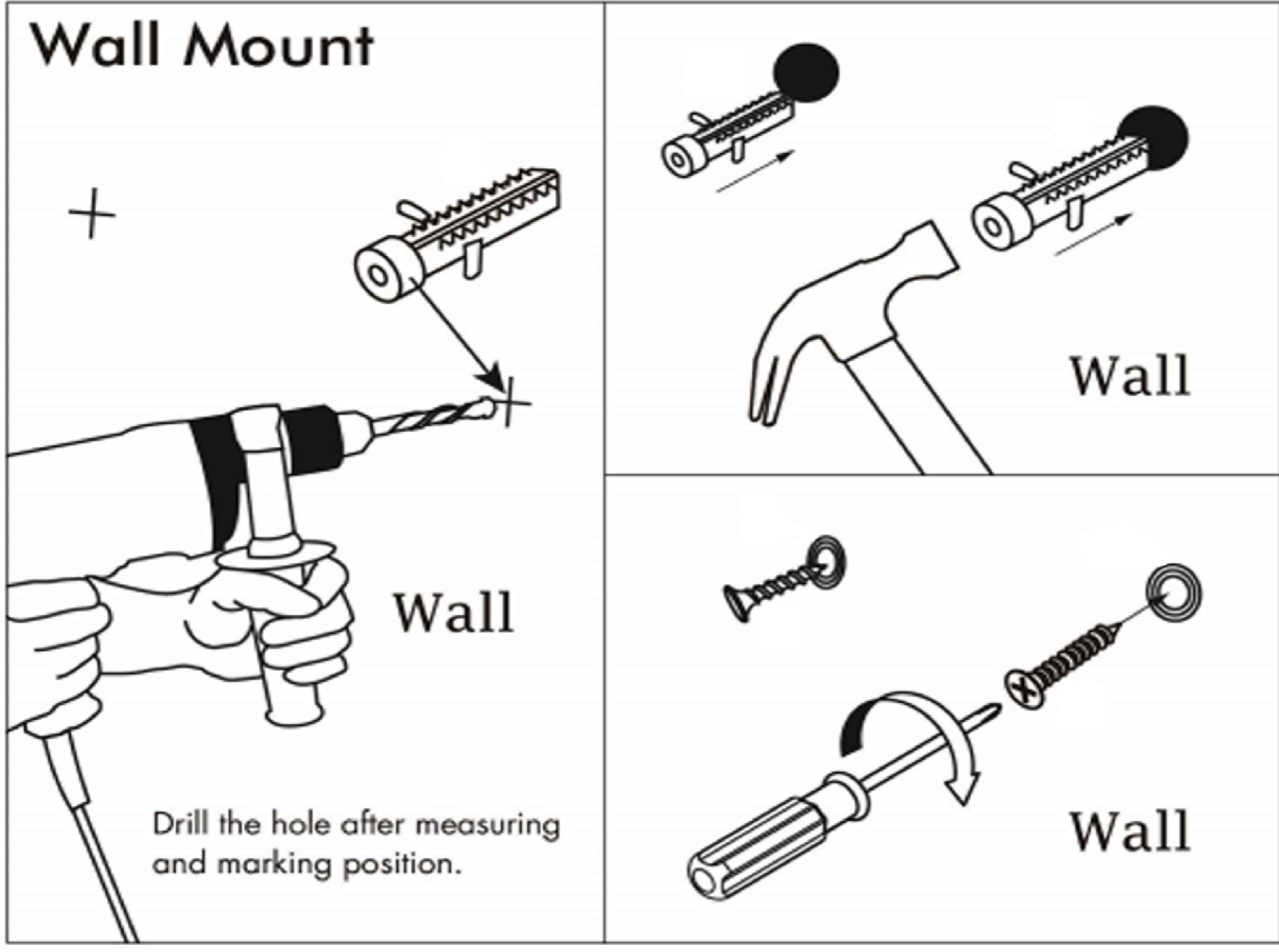
Use a hammer to drive the nail into the gap of the wooden board and fix the back board



Step 62

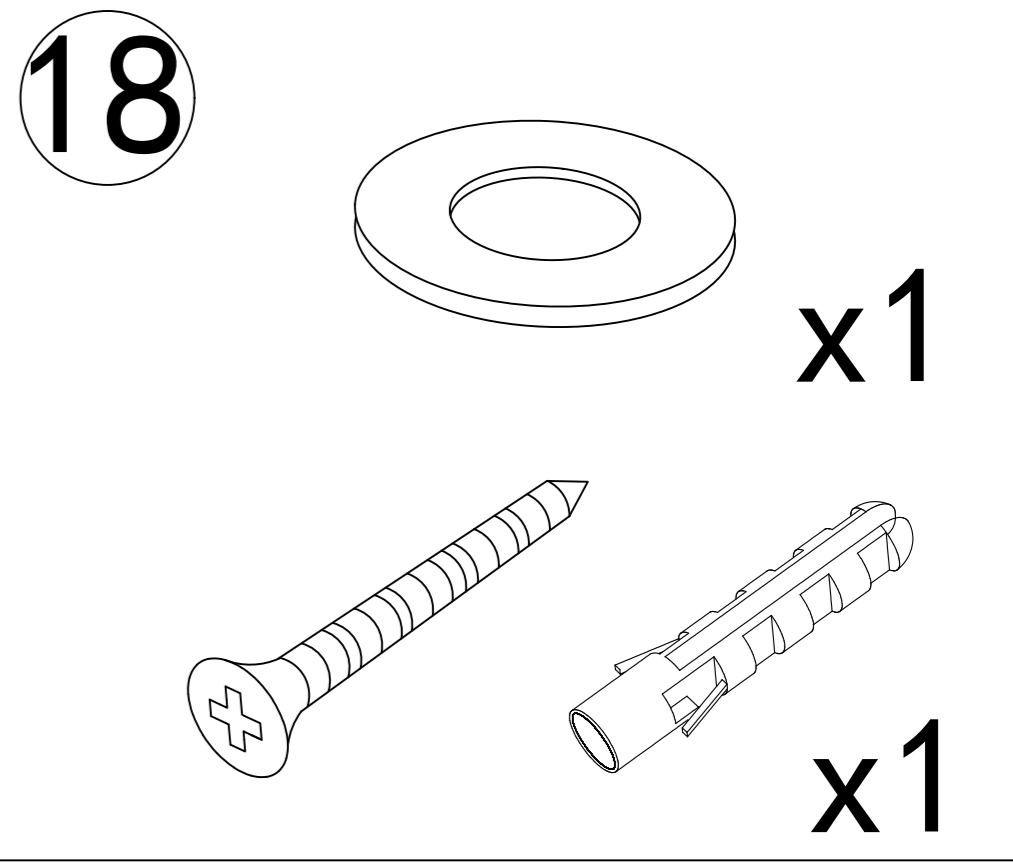


Step 63



use a ruler to measure the approximate height of the product on the wall, and then mark it with a pencil.

Drill the hole after measuring and marking position.



Put the expansion bolt into the hole.

Pass the matching screws through the "anti-rewind" and tighten them to fix them on the wall.

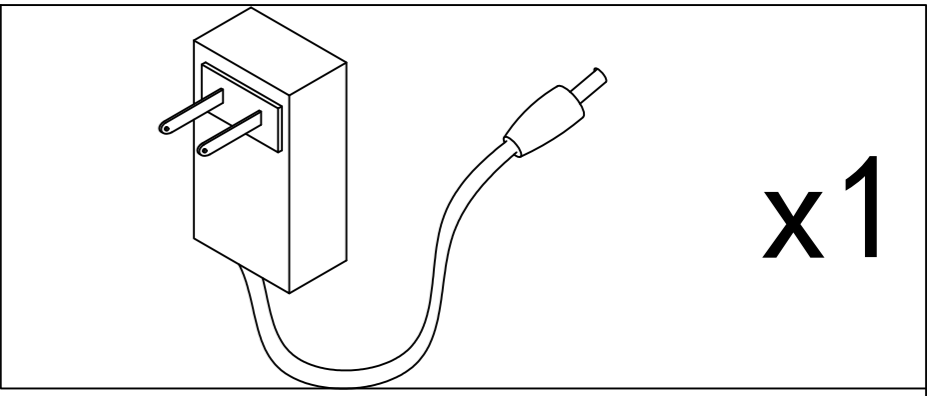
Use a tape drill to make holes in the wall that are suitable for the product screws.



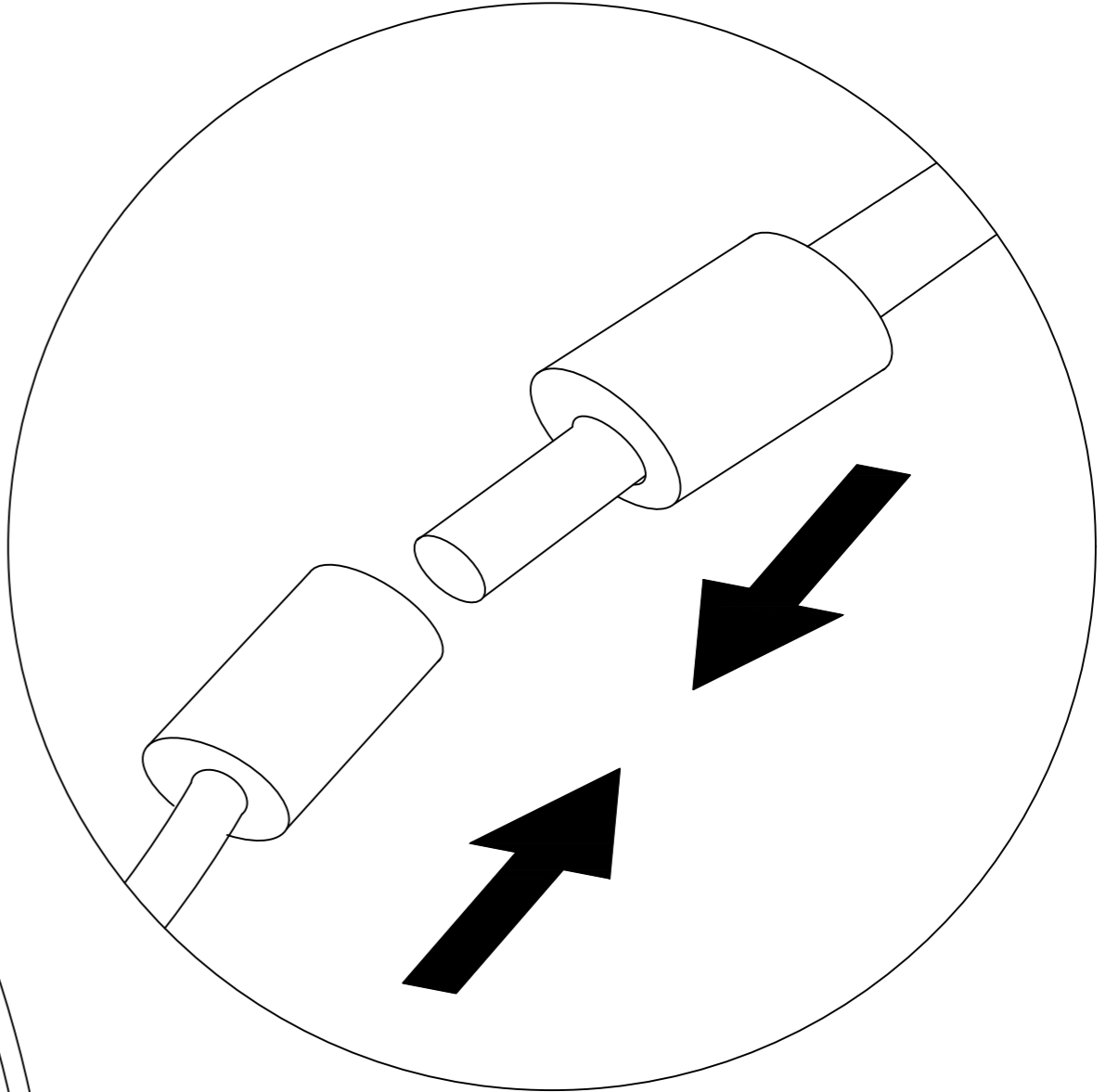
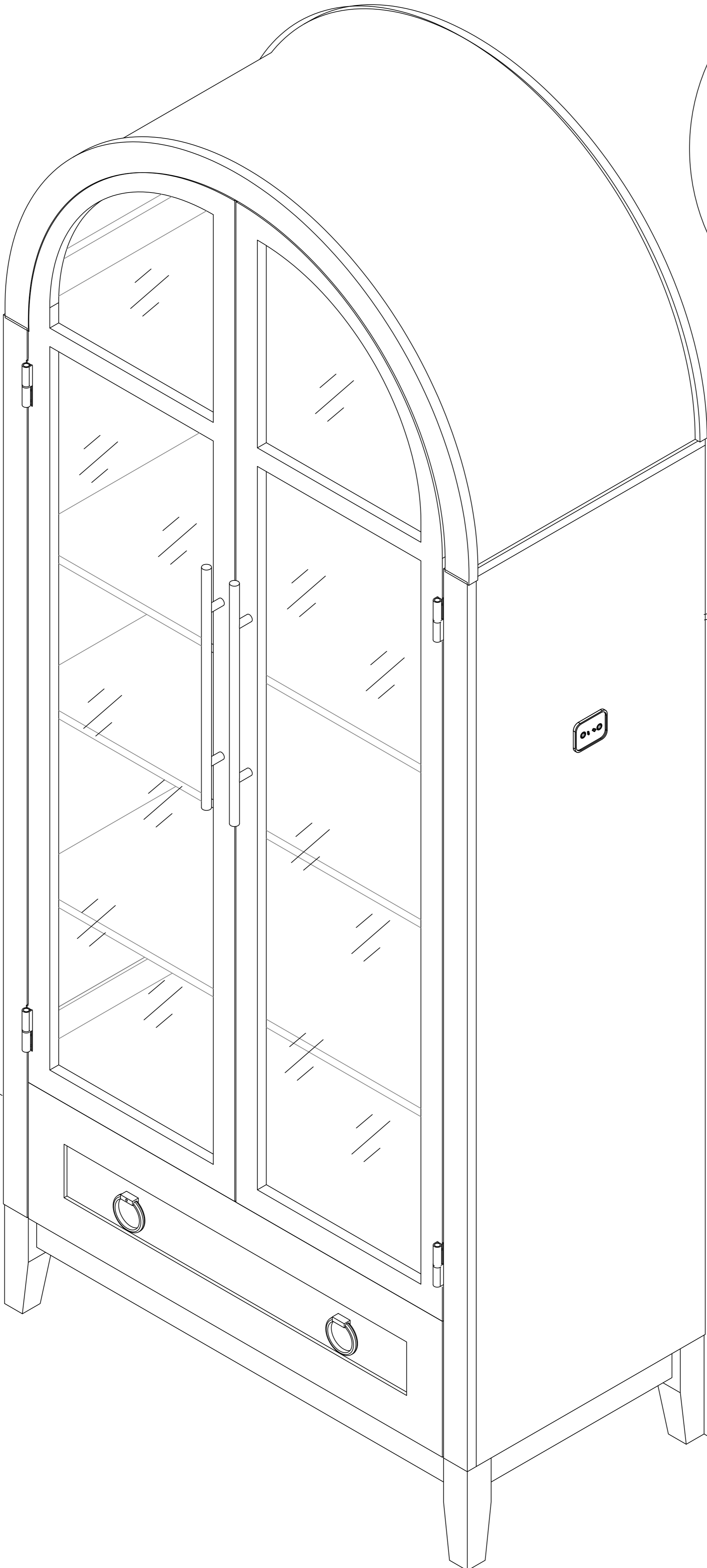
wall

wall

Step 64



wall



wall

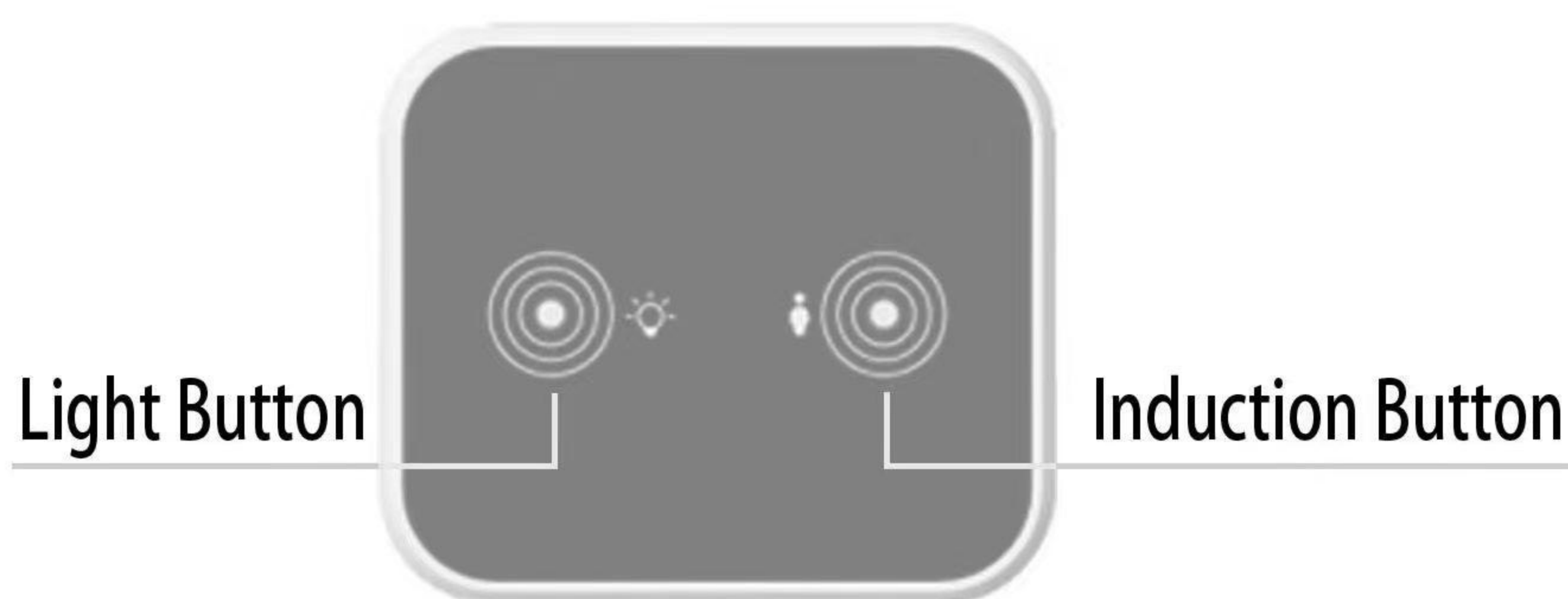
User's Guide

Thank you for purchasing this product. To use this product, please plug it into a 12V DC power supply. Please use if the product works normally after connecting to power.

Introduction

The box is an intelligent controller with 2 touch buttons. It can turn ON/OFF the light, change light colors, and adjust the light luminance.

Product Show



ATTENTION PLEASE

1. If there is no touch response suddenly, Re-plug the power to reset the touch static electricity.
2. If bubbles appear on the panel, remove the protective film.

Operation



This touch button is used to turn on/off, change colors, and adjust brightness.

A. Short touch -> lighting on -> short touch -> change light color -> short touch -> change light color -> short touch -> lighting off. B. Long touch -> adjust the luminance



This touch button is used to turn on/off the induction function.

A. Short touch to turn on the induction function. It can auto-turn on the light when people are close to the controller in 1 meters. It can auto power off the light when the body is far away from the controller after 30 seconds.

B. Long touch to turn off the induction function.

C. Note: When you touch the light button to change the light modes, the induction function will automatically turn off. It is best to turn on this function after selecting the light color and adjusting the brightness you want.