

# ASSEMBLY INSTRUCTION

Thank you for purchasing this quality product. Be sure to check all packing material carefully for small parts which may have come loose inside the carton during shipment. Separate, identify and count all parts and hardware. Compare with the parts list to be sure all parts are present.

**IMPORTANT : PLEASE READ INSTRUCTION BEFORE STARTING THE ASSEMBLY.**

**"DO NOT TIGHTEN SCREWS UNTIL COMPLETELY ASSEMBLED"**

**"DO NOT OVERTIGHT ANY HARDWARE"**

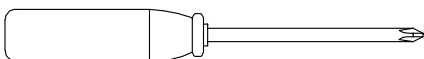
**WARNING : SMALL PARTS AND HARDWARE NOT FOR CHILDREN UNDER 3 YEARS. ADULT ASSEMBLY REQUIRED.**

## TABLE OF CONTENTS

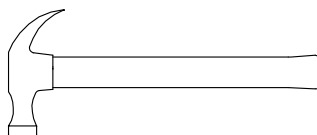
HARDWARES LIST	PAGE 2 - 3
PARTS LIST	PAGE 3 - 4
PARTS' LOCATION	PAGE 5
ASSEMBLY STEPS	PAGE 6 - 14
ASSEMBLY COMPLETED	PAGE 14
ANTI-TIPPING INSTALLMENT INSTRUCTIONS	PAGE 15

## ASSEMBLY TOOLS REQUIRED

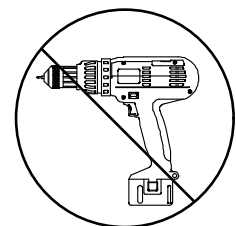
### 1. Screwdriver (not provide)




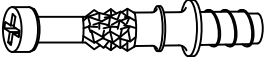

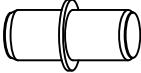
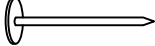
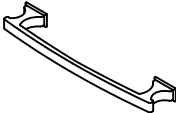
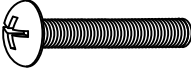

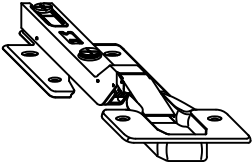

### 2. Hammer (not provide)



Skip the power trip this time.

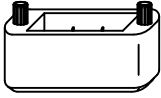


## HARDWARES LIST


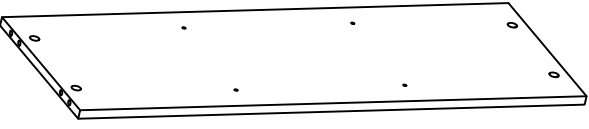
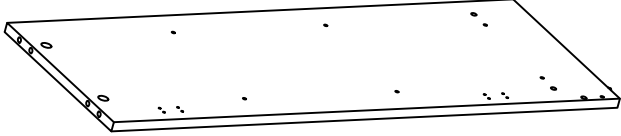
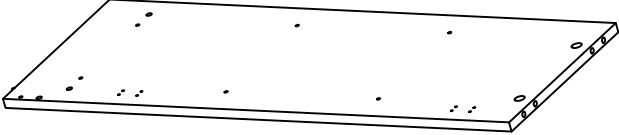
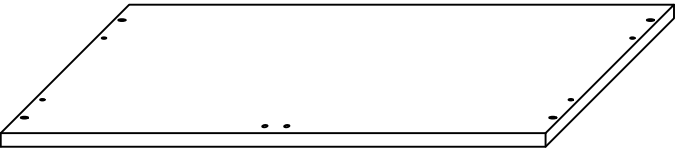
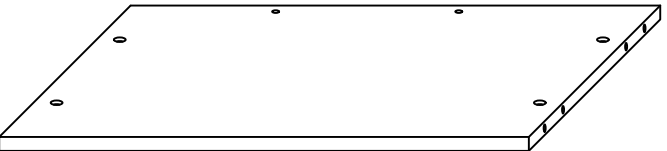
ITEM	DESCRIPTION	DRAWING	QTY
A	MINIFIX CAM LOCK		18 PCS
B	MINIFIX CAM BOLT		18 PCS
C	WOOD DOWEL (M8 x 25MM)		20 PCS
D	SHELF SUPPORT (M5 x 16mm)		16 PCS
E	6/8" NAIL		30 PCS
F	HANDLE		2 PCS
G	TRUSS M-SCREW (28MM)		4 PCS
H	PLASTIC STRIP (H SHAPE)		1 PC
J	SOFT-CLOSE HINGES		4 PCS
K	CSK C/B SCREW (M4 x 16MM)		24 PCS

MORE HARDWARES DETAIL IN NEXT PAGE...

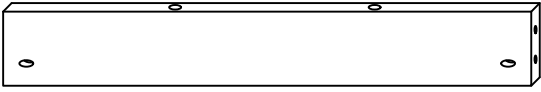
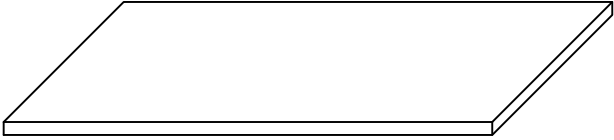
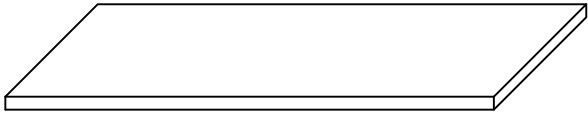
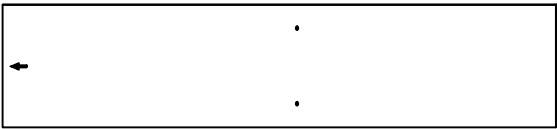


## HARDWARE LIST

ITEM	DESCRIPTION	DRAWING	QTY
L	PLASTIC STOPPER		1 PC

## PARTS LIST

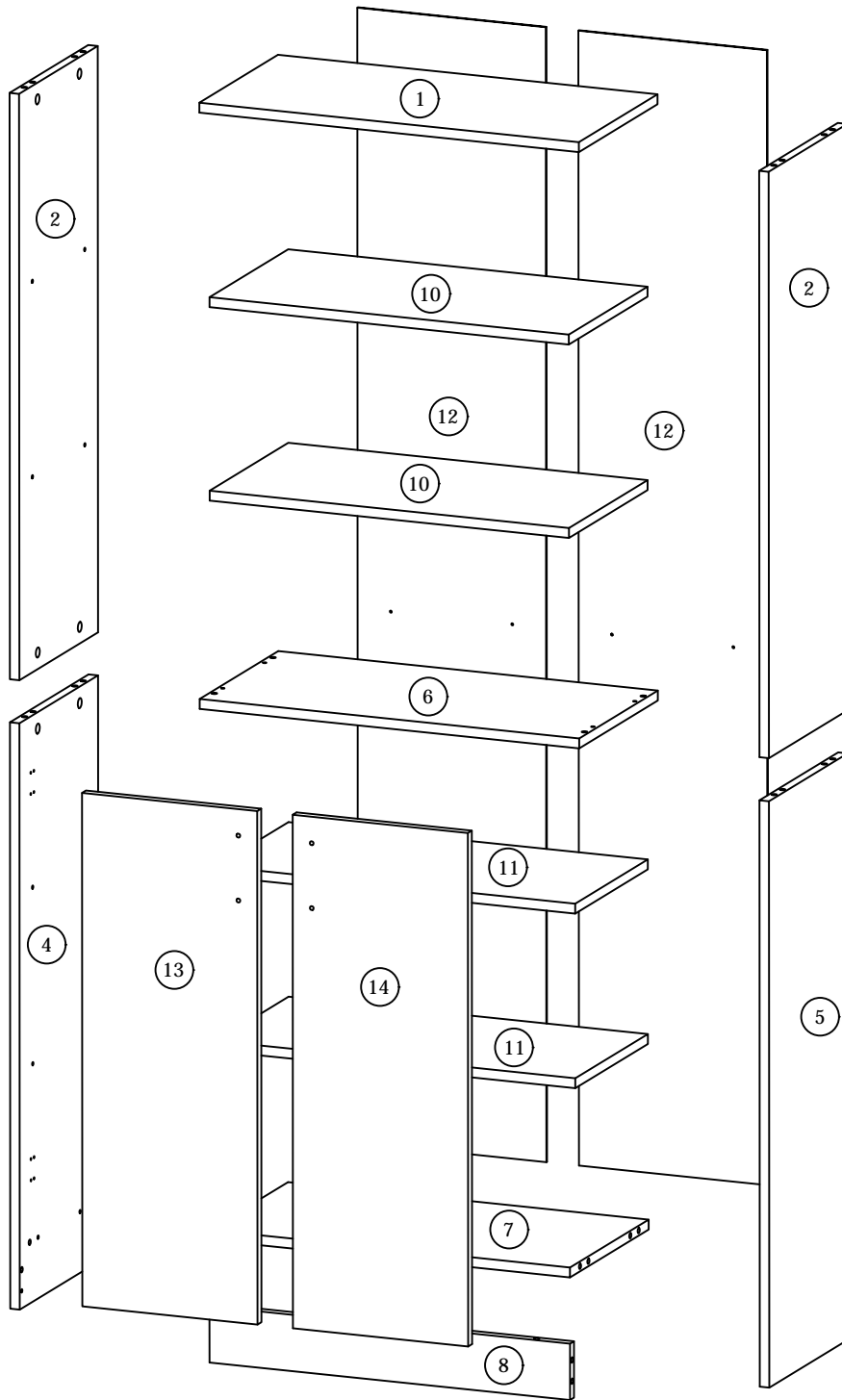
ITEM	DESCRIPTION	DRAWING	QTY
1	TOP PANEL		1 PC
2	SIDE PANEL		2 PCS
4	LOWER LEFT PANEL		1 PC
5	LOWER RIGHT PANEL		1 PC
6	CENTRE PANEL		1 PC
7	BOTTOM PANEL		1 PC

## PARTS LIST

ITEM	DESCRIPTION	DRAWING	QTY
8	BOTTOM SUPPORT RAIL		1 PC
10	COMPARTMENT PANEL - BIG		2 PCS
11	COMPARTMENT PANEL - SMALL		2 PCS
12	BACK PANEL		2 PCS
13	DOOR LEFT		1 PC
14	DOOR RIGHT		1 PC

# PARTS ' LOCATION

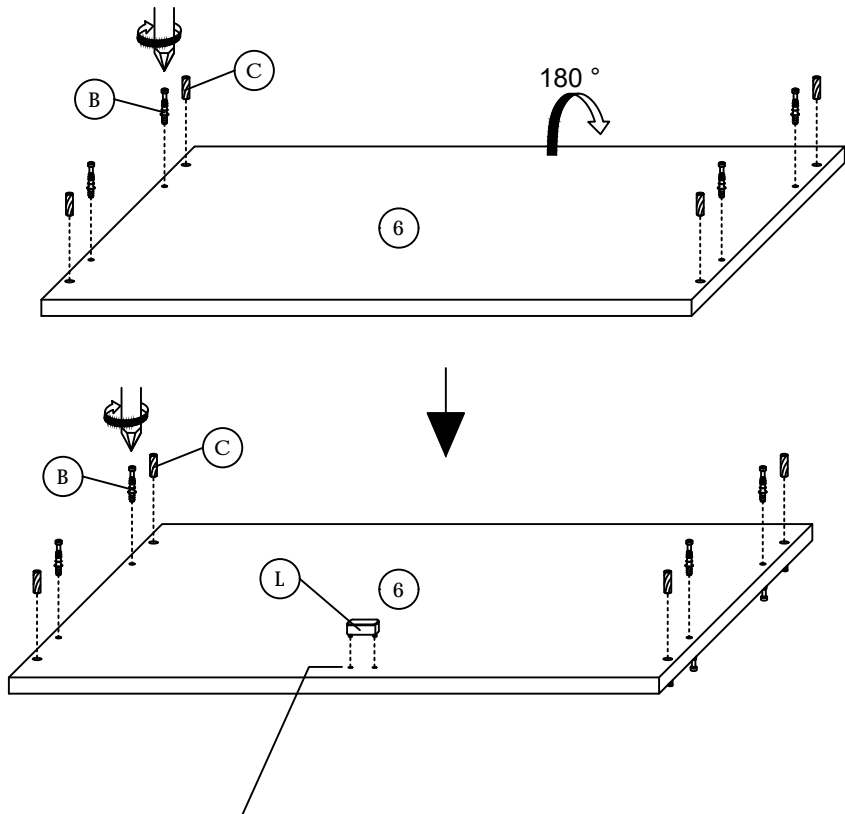
BOOK CASE x 1 PC





**STEP 3**

Insert 8 pieces (B) , (C) to the both side of (6), then insert (L) to the lower side as shown.



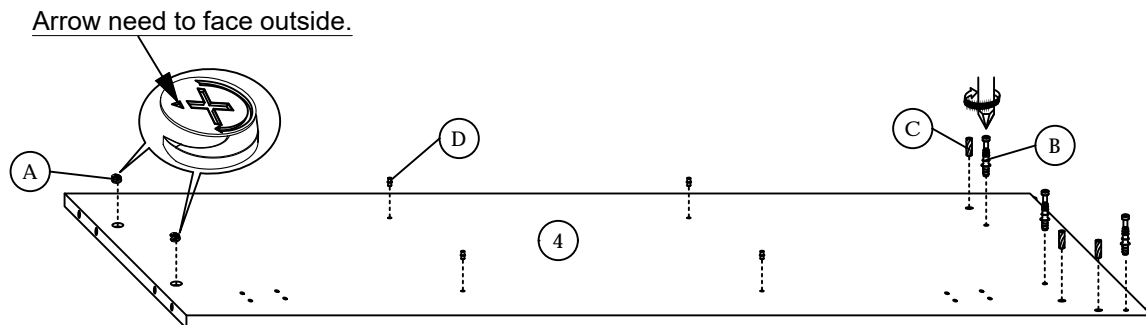
(L) Need to face front side , and need to face lower side during the ASSEMBLY.

**Assembled looks**

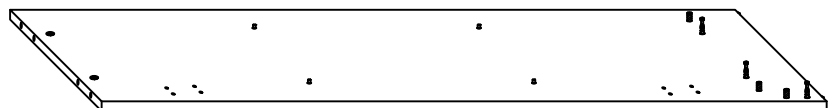


**STEP 4**

Insert 2 pieces (A), 3 pieces (B),(C) and 4 pieces (D) to the (4) as shown.

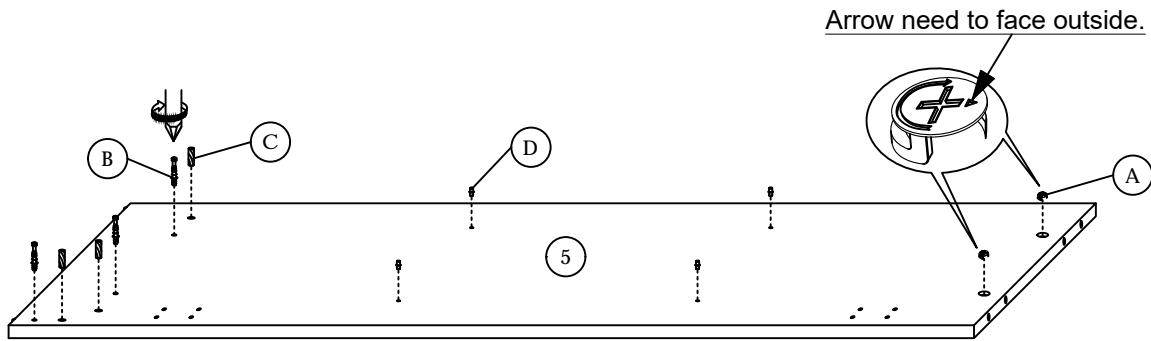


**Assembled looks**

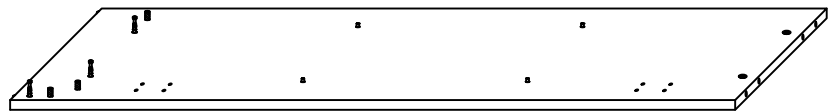


**STEP 5**

Insert 2 pieces (A), 3 pieces (B),(C) and 4 pieces (D) to the (5) as shown.

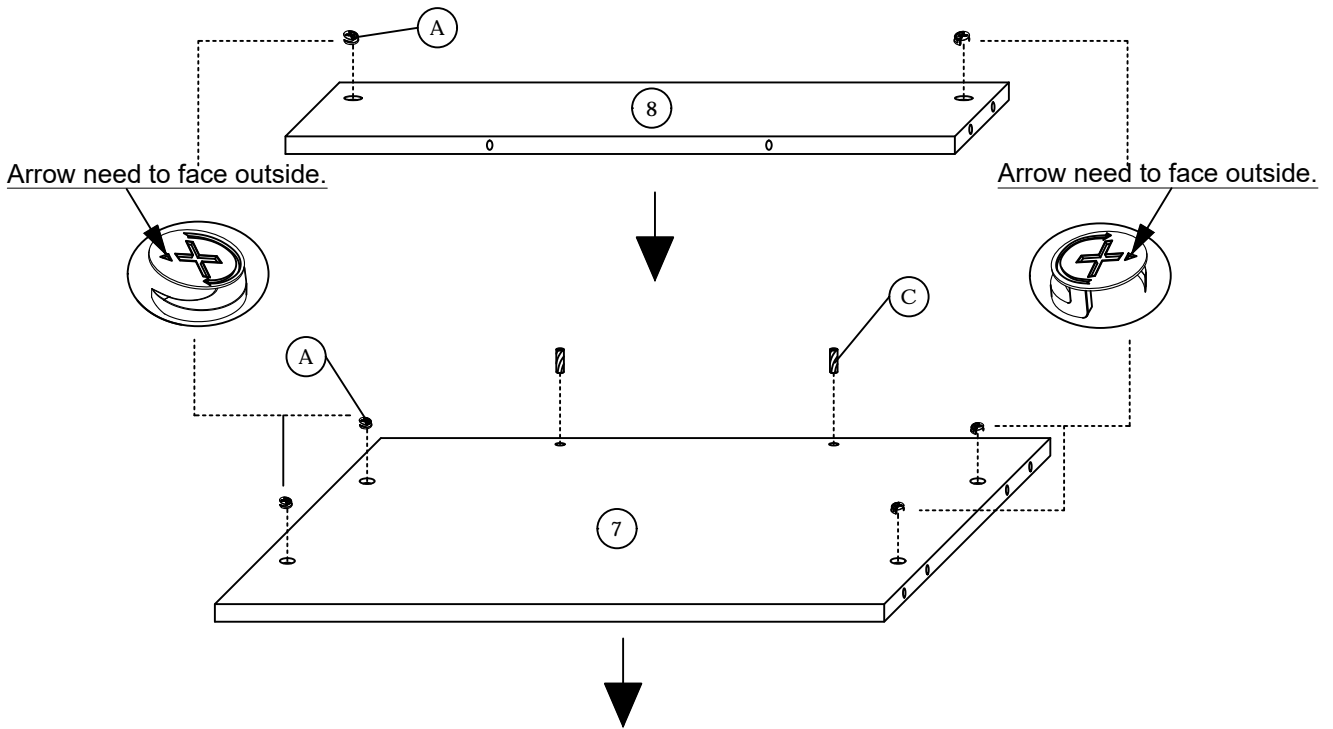


Assembled become like this

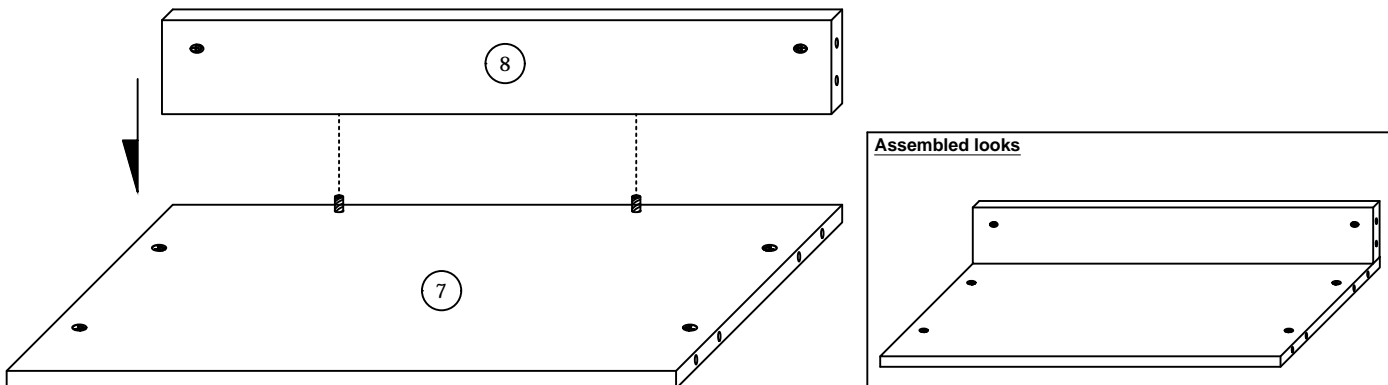


**STEP 6**

Insert 2 pieces (A) to the (8) , 4 pieces (A) and 2 piece (C) to the (7). Then combine them as shown.

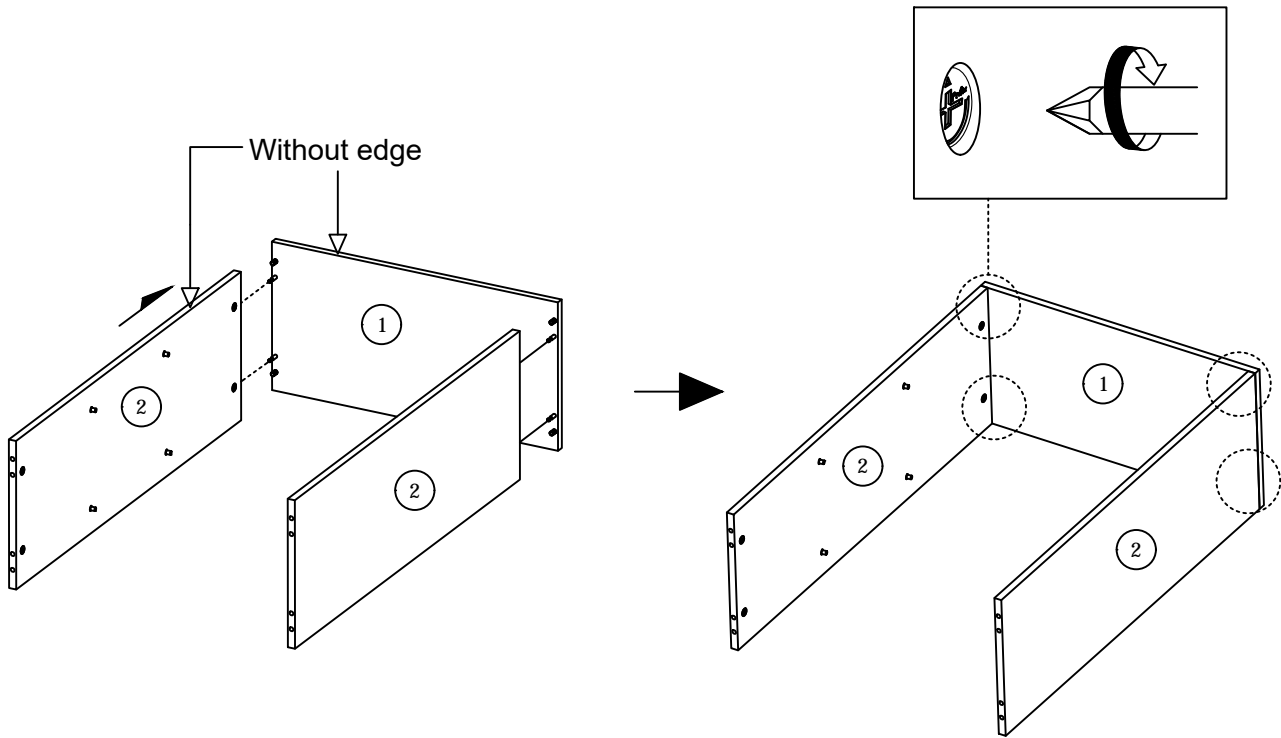


Assembled looks



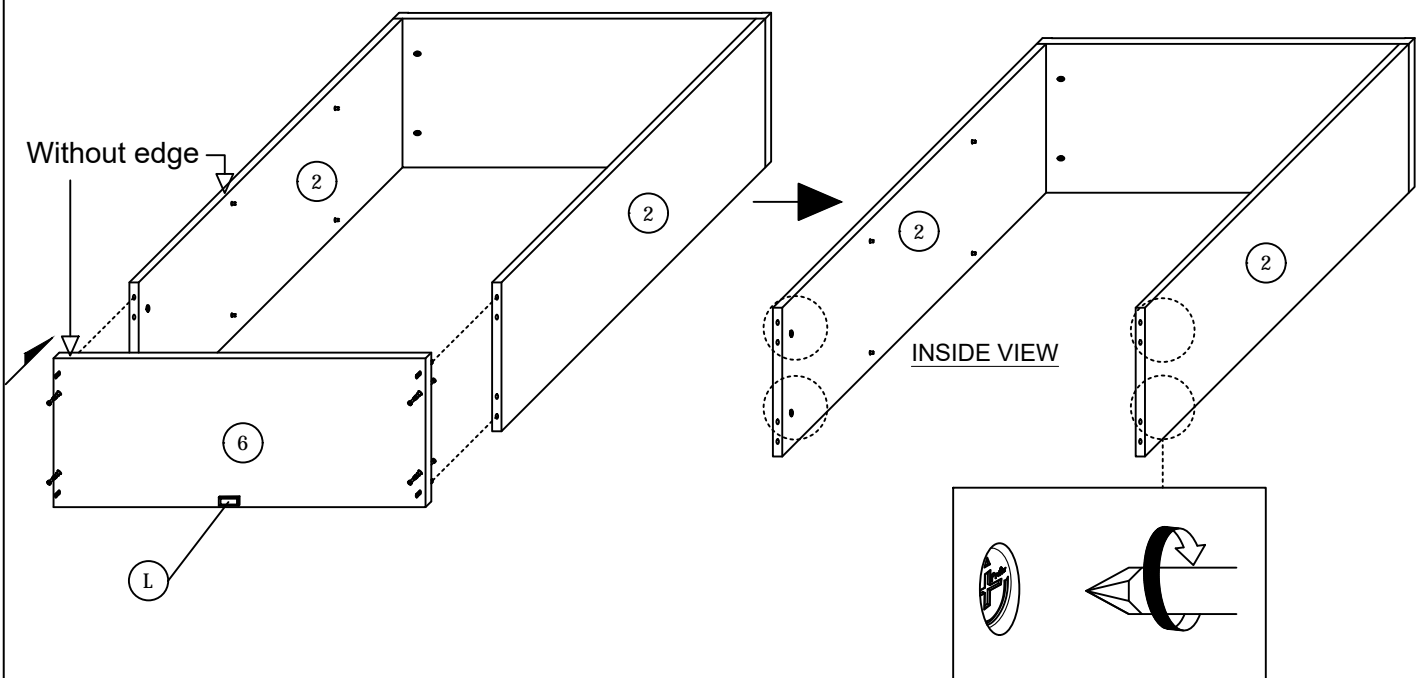
**STEP 7**

Combine (2) to the (1) then tighten the 4 pieces (A)-(pre insert in step 1) as shown.



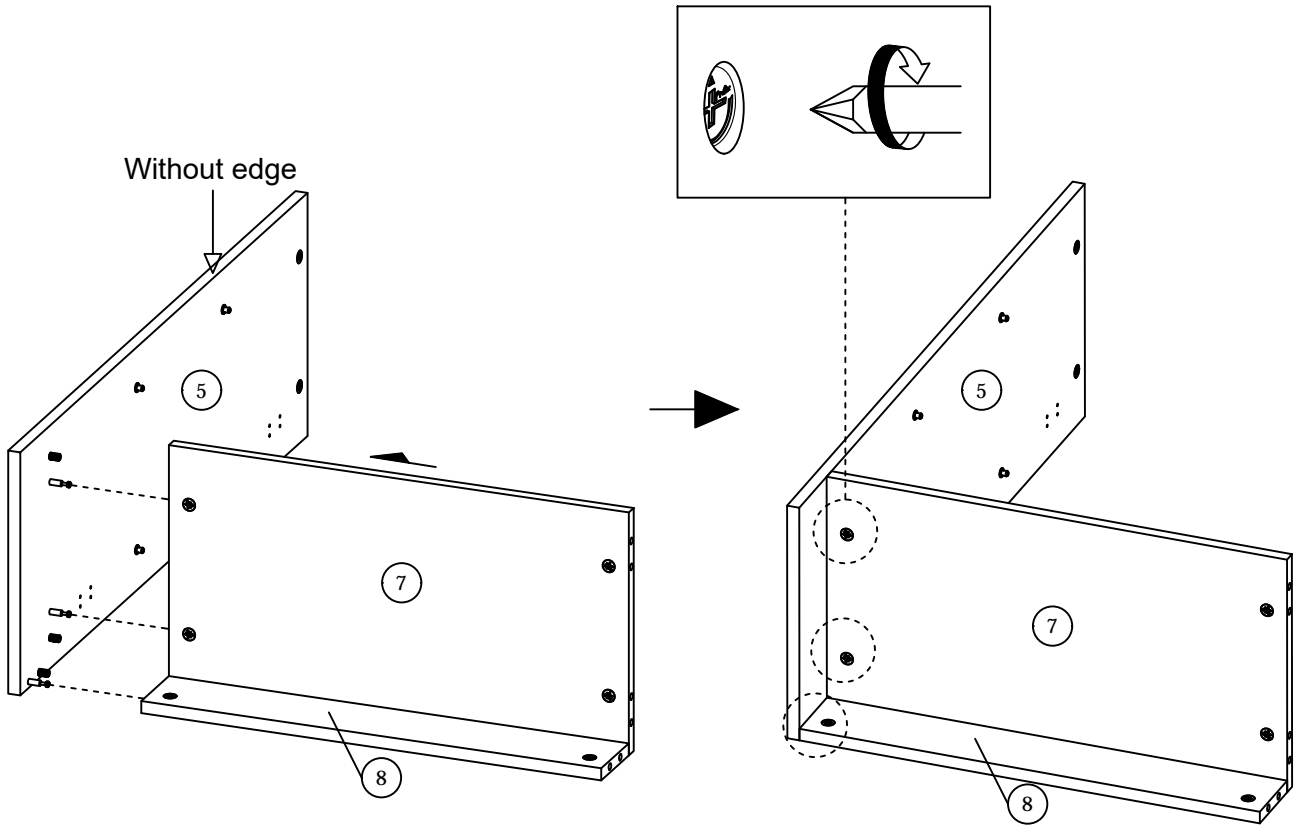
**STEP 8**

Combine the (6) to (2) then tighten the 4 pieces (A)-(pre insert in step 1) as shown.



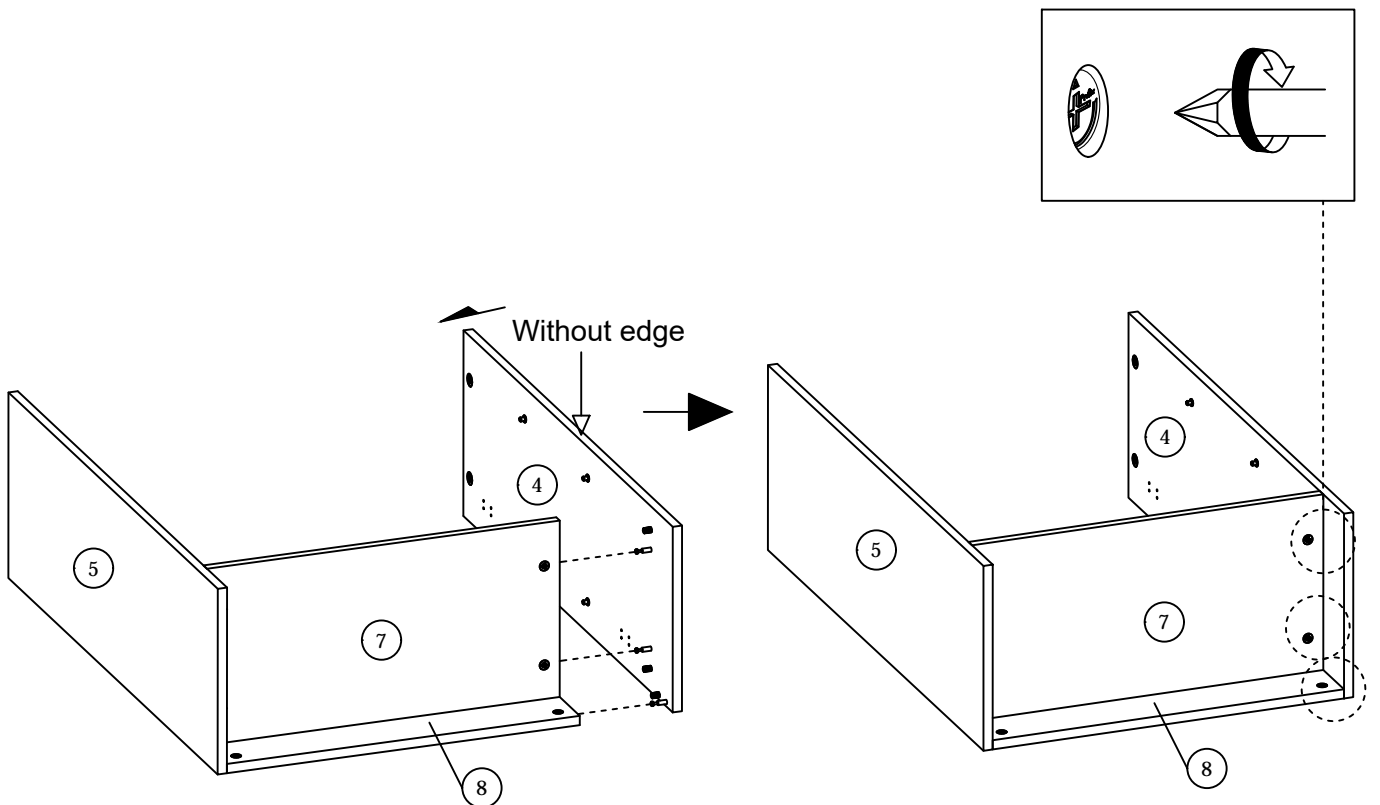
**STEP 9**

Combine the (7),(8) to the (5) then tighten the 3 pieces (A)-(pre insert in step 6) as shown.



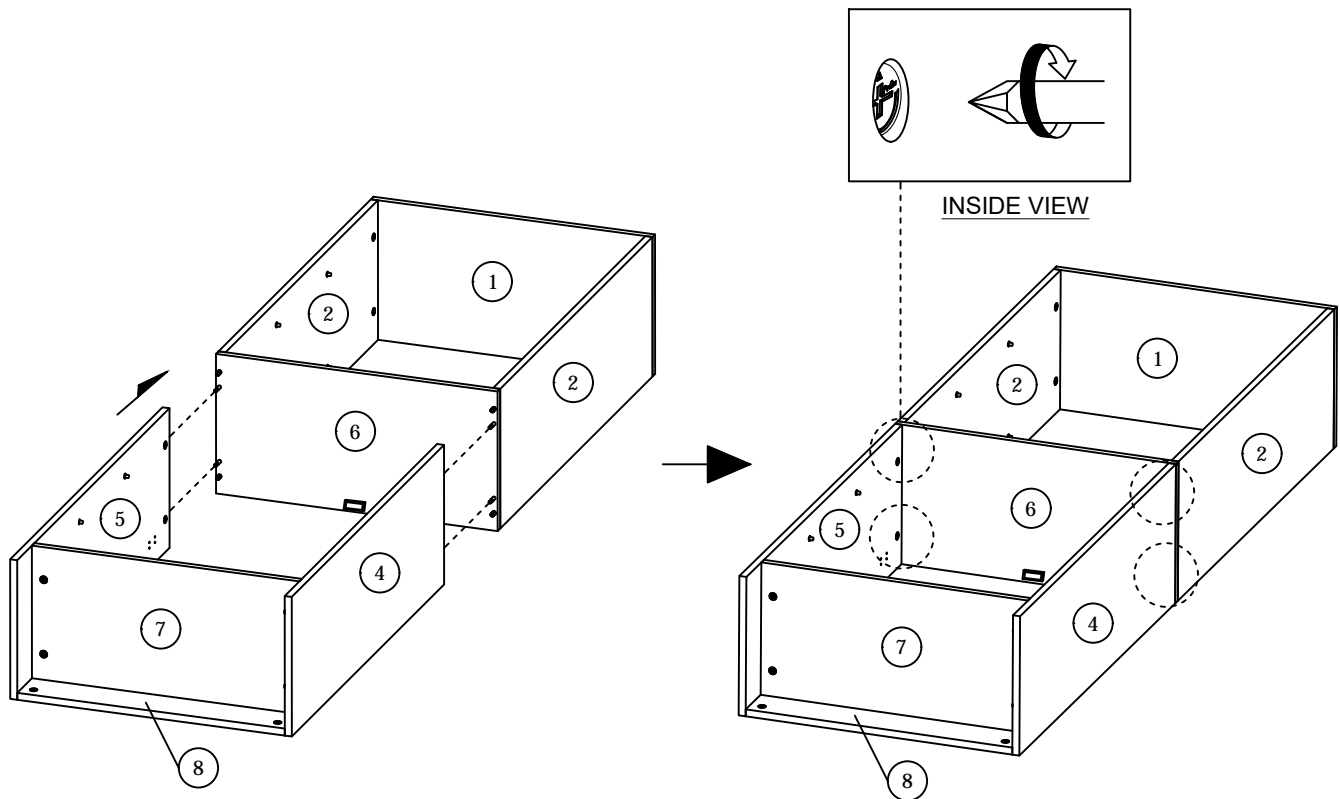
**STEP 10**

Combine the (4) to the (7),(8) then tighten the 3 pieces (A)-(pre insert in step 6 ) as shown.



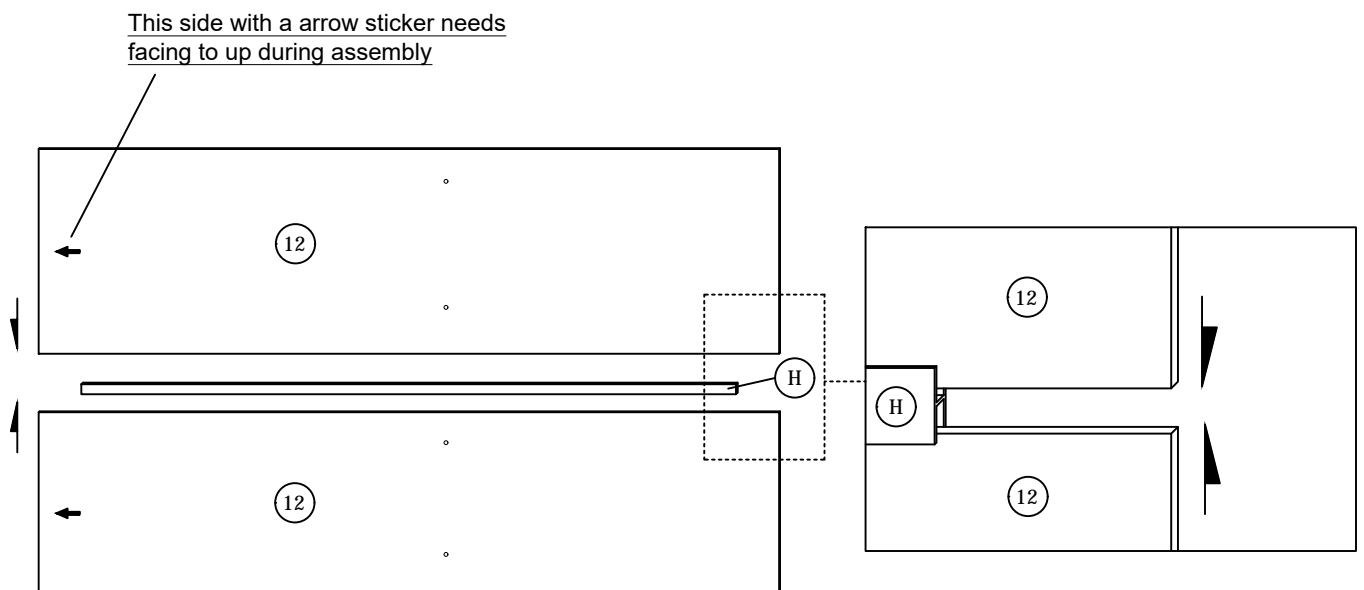
**STEP 11**

Combine the (4),(5) to (6) then tighten the remaining 4 pieces (A)-(pre insert in step 4, 5 ) as shown.



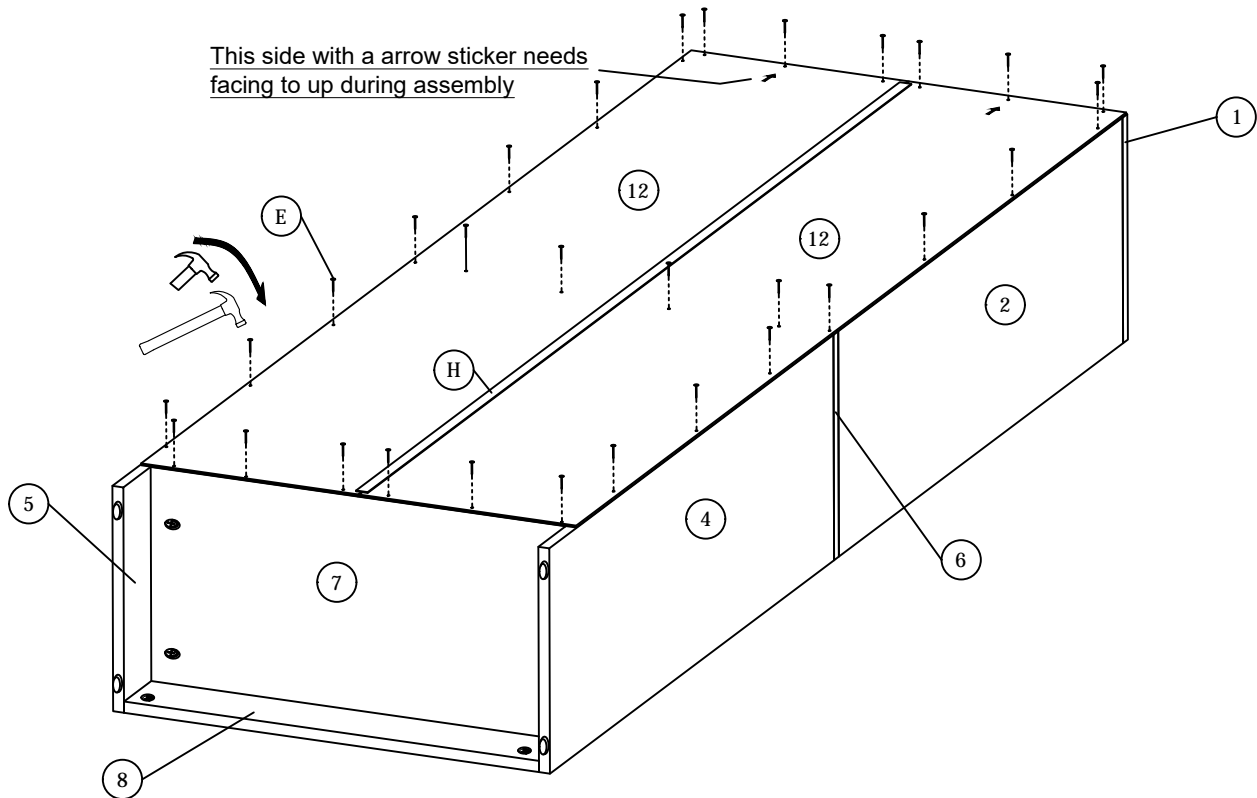
**STEP 12**

Put the 2 pieces (12) to the gap of (H) as shown. Direction of the side with colored paper must be the same.



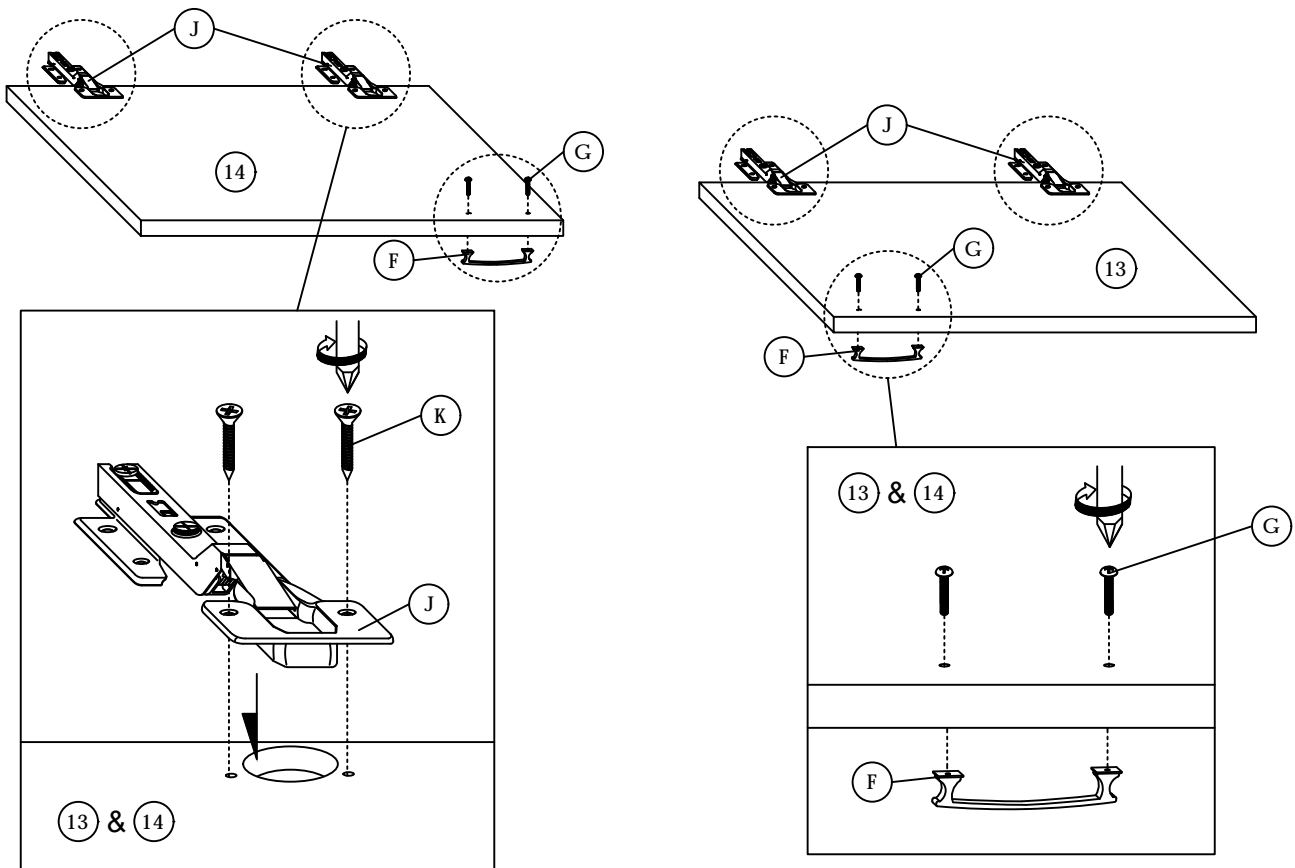
### STEP 13

Insert the 30 pieces (E) to fix the 2 piece (12) as shown. Colored paper face to outside.  
To prevent blocking (1) and (7) make sure the (H) at the middle of 2 pieces (12), do not over high or low.



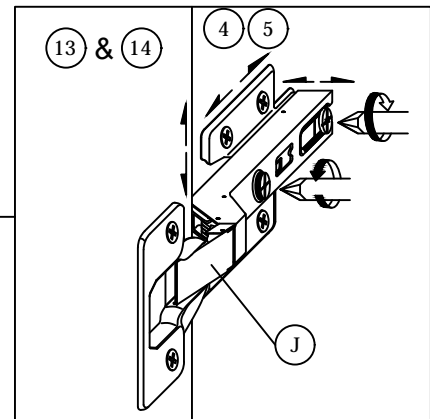
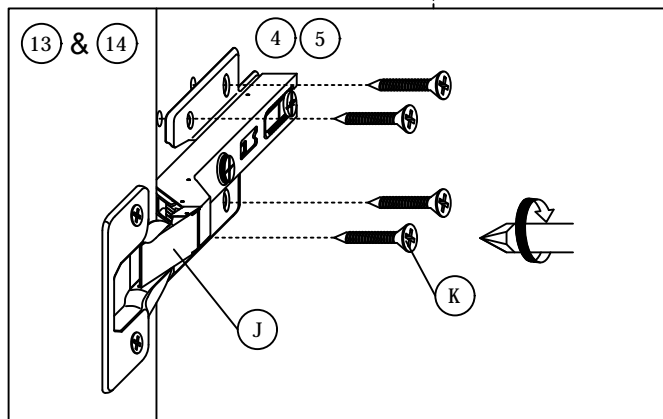
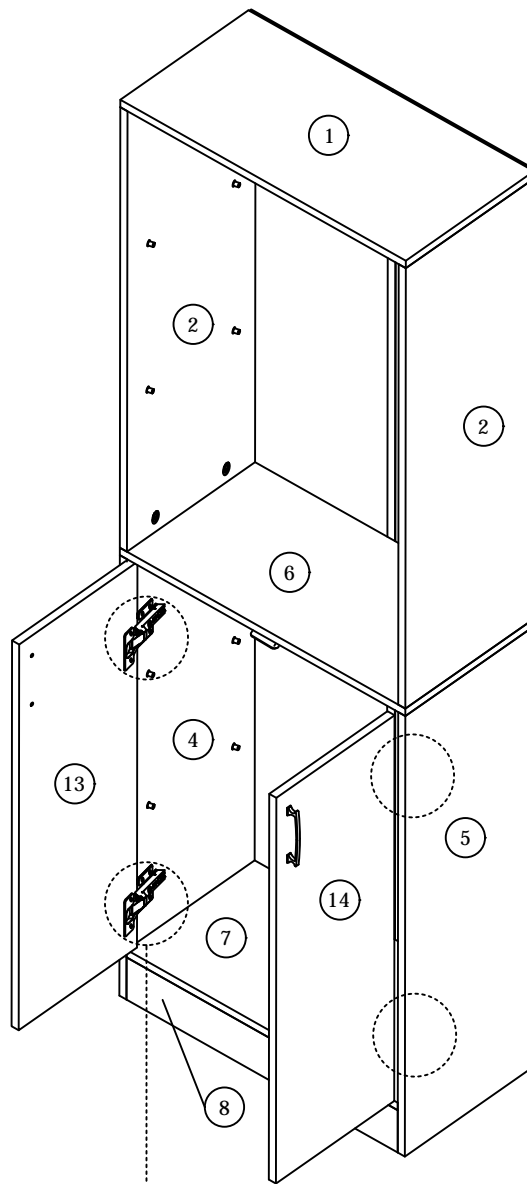
### STEP 14

Insert 8 pieces (K) to fix the 4 pieces (J) to the (13) and (14). Then insert 4 pieces (G) to fix the 2 pieces (F) as shown.



**STEP 15**

Insert the remaining 16 pieces (K) to fix the (J) to the (4),(5). Adjust the (J) then tighten the 8 pieces adjuster screws as shown.





# WALL STUD

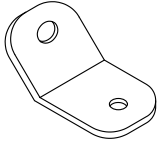
## SAFETY BRACKET INSTRUCTIONS

Part Enclosed :  
A) Bracket

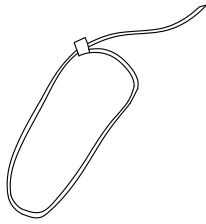
B) Safety Strap

C) 50mm Pan Head Screw

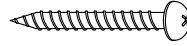
D) 17mm Pan Head Screw



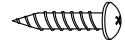
2x



1x



1x



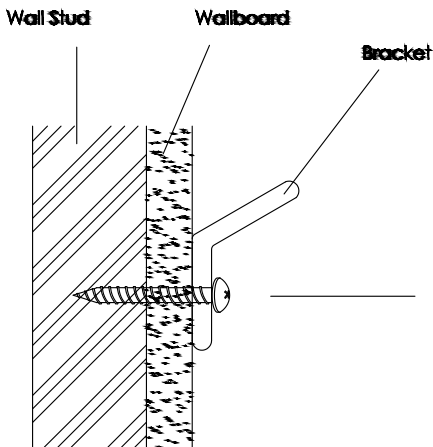
1x

**IMPORTANT:** Tipping can injure young children. Use of this safety hardware is highly recommended. This safety hardware, when properly installed, can provide furniture protection against unexpected accidental tipping of furniture due to improper use.

### Step 1

Attach a bracket to the wall board with the 2" screw provided:

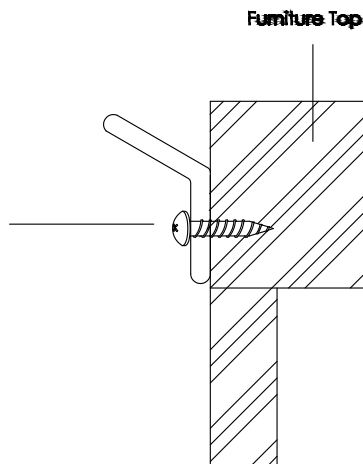
- It is recommended that you locate a wall stud behind the furniture unit. If the wall stud is not used, a suitable "Hollow-Wall Anchor Bolt" (not provided) should be used in lieu of the wall stud.
- Position the wall bracket on the stud about 1" below the top of furniture piece.
- Mark the position for the bracket placement on the wall and drill a pilot hole into the stud.
- Attach the bracket to the back of the furniture with the 2" screws provided.



### Step 2

To attach a bracket to the Furniture Frame below to top with the short screws provided :

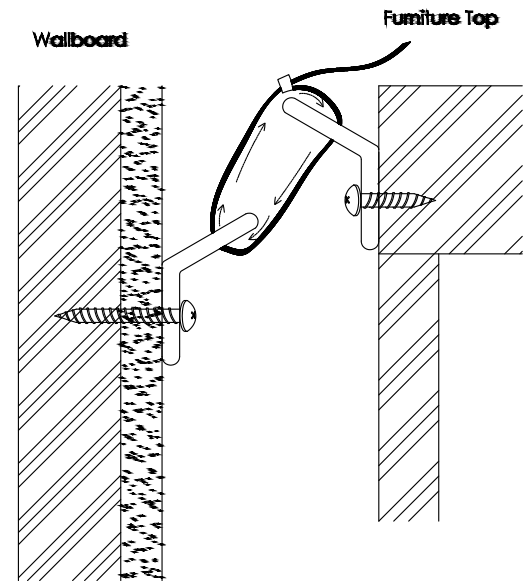
- Move the furniture piece temporarily to its final position to the wall.
- Mark the location of the bracket on the back of the furniture in relation to the previously mounted wall bracket.
- Move the furniture piece away from the wall mounted bracket and place the other bracket on the mark position on the back of the furniture piece.
- Drill a pilot hole as shown in the figure or into the back furniture frame.
- Caution:** Mark sure you do not drill completely through the back of the furniture.
- Attach the bracket to the back of the furniture with the 5/8" screws provided.



### Step 3

To Attach the safety strap:

- Move the furniture back to its final position.
- Thread the safety strap through both of the mounted brackets as shown in the illustration.
- Tighten the strap unit snug.
- Do not over tighten.



**IMPORTANT:** Make sure the brackets are firmly attached to the wall stud and furniture frame and the safety strap is snug.

**Warning:** This product is not be a substitute for proper parental supervision which is the only proper deterrent to prevent improper use of this unit. The manufacturer assumes no liability for improper installation or excessive loads placed on the safety straps, bracket or mounting screws. This hardware will not insure against tipping.

**Note:** For taller or heavier pieces of furniture, two safety brackets may be installed.