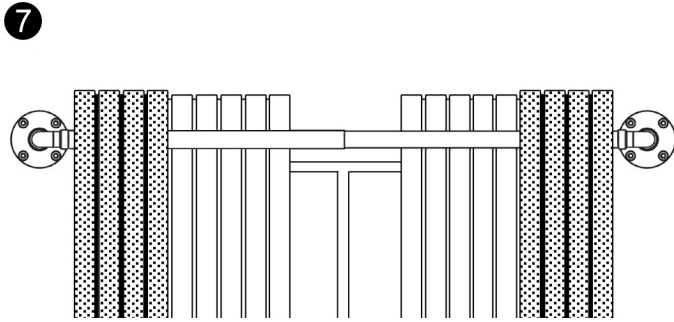
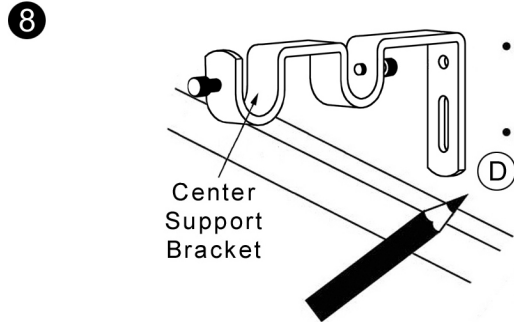


5/8" DRAPERY ROD INSTALLATION INSTRUCTIONS - 86-128" DOUBLE ROD SET

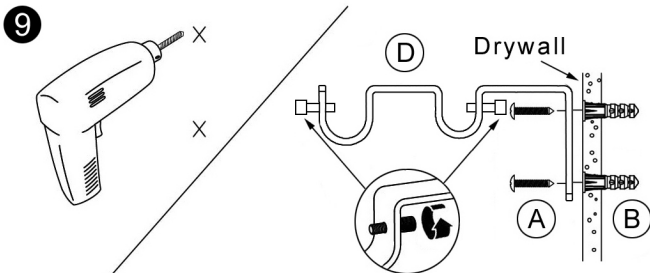
Care Instructions: Clean with a soft cloth. Do not use abrasive cleaning agents, solvents or polishes.



Repeat step 5-6 for front drapery rod.

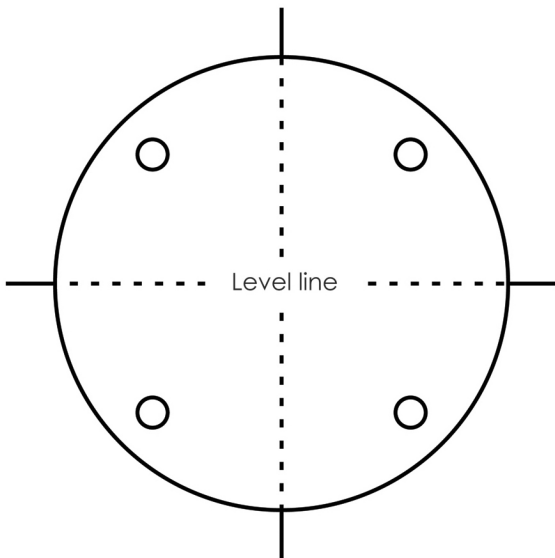


Use bracket (D) as a guide to mark location for mounting screws (A).



Drill pilot holes into wall with 1/4" drill bit (not included). Insert wall anchors (B) and attach bracket (D) using mounting screws (A). Wall anchors may not be necessary if drilling into studs. Tighten set screws to secure rod in place.

DRILLING TEMPLATE #31127



DRILLING TEMPLATE #31127

