



## ASSEMBLY INSTRUCTIONS COASTER FINE FURNITURE



*Fine Furniture for every stage of life*

# 300501KE (B1&B2) Eastern King Bed

REVISION 0 : 09/02/2015  
REVISION 1 : 07/18/2019

COASTERFURNITURE.COM

# ITEM : 300501KE (B1&B2)



## ASSEMBLY INSTRUCTIONS

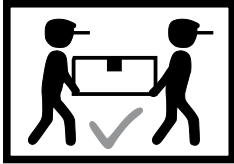
### ASSEMBLY TIPS:

1. Remove hardware from box and sort by size.
2. Please check to see that all hardware and parts are present prior to start of assembly.
3. Please follow attached instructions in the same sequence as numbered to assure fast & easy assembly.



### WARNING!

1. Don't attempt to repair or modify parts that are broken or defective. Please contact the store immediately.
2. This product is for home use only and not intended for commercial establishments.



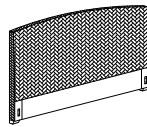
ASSEMBLY TIME

15 MINUTES

## PARTS IDENTIFICATION

### B1 (BOX 1)

A HEADBOARD



1PC

### B2 (BOX 2)

B FOOTBOARD



1PC

C BED RAIL



2PCS

D BED SLAT



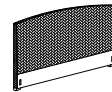
4PCS

E BED SLAT SUPPORT WITH LEVELER



8PCS

A 300501KE (B1) FROM BOX 1 HEADBOARD

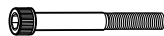


1PC

## HARDWARE IDENTIFICATION

### Z-B2 (BOX 2) - HARDWARE PACK IS LOCATED IN 300501KE (B2)

1 LONG BOLT  
(Ø5/16" x 2" - BLK)



4PCS

2 SHORT BOLT  
(Ø5/16" x 1-1/8" - BLK)



4PCS

3 LOCK WASHER  
(Ø5/16" - RBW)



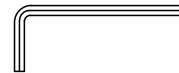
8PCS

4 FLAT WASHER  
(Ø5/16" - RBW)



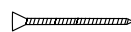
8PCS

5 ALLEN WRENCH  
(6MM - BLK)



1PC

6 FLAT HEAD SCREW  
(Ø5/16" x 1-3/4" - RBW)



8PCS

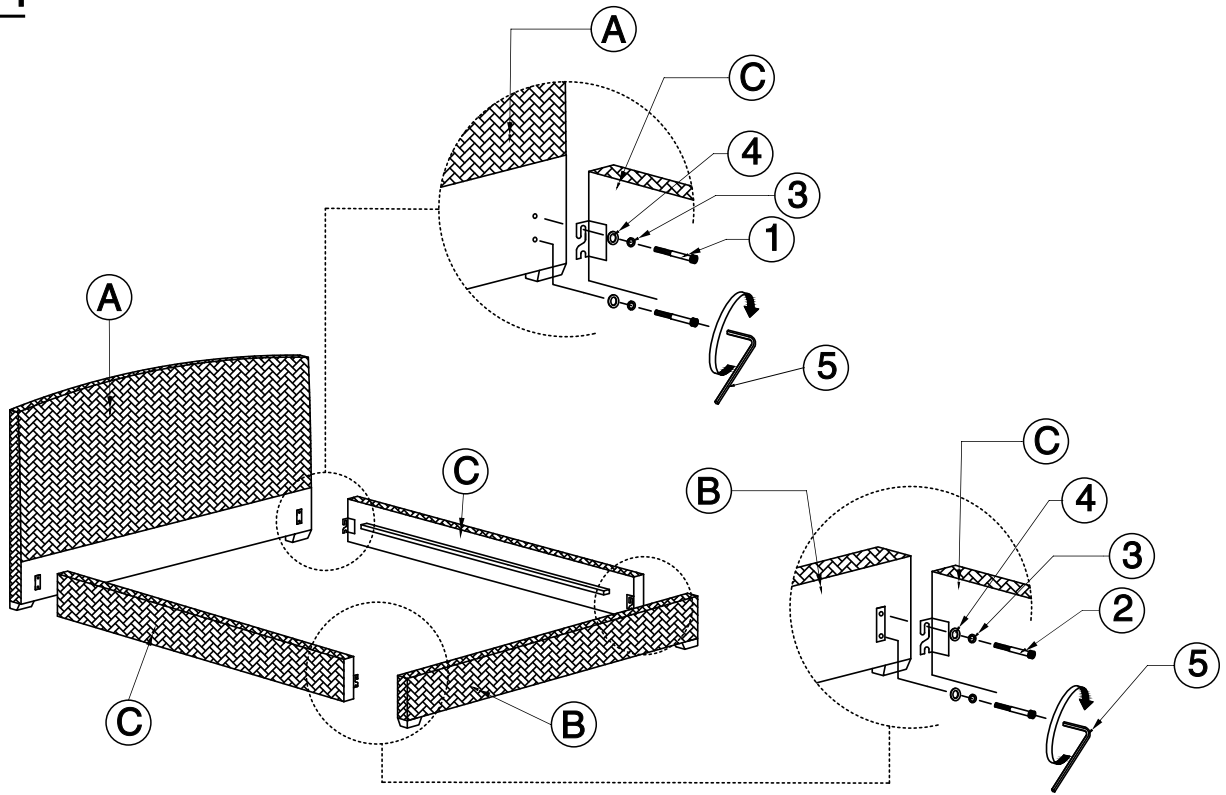
### NOTE:

Phillips head screw driver is required in the assembly process; however, manufacturer does not provide this item.

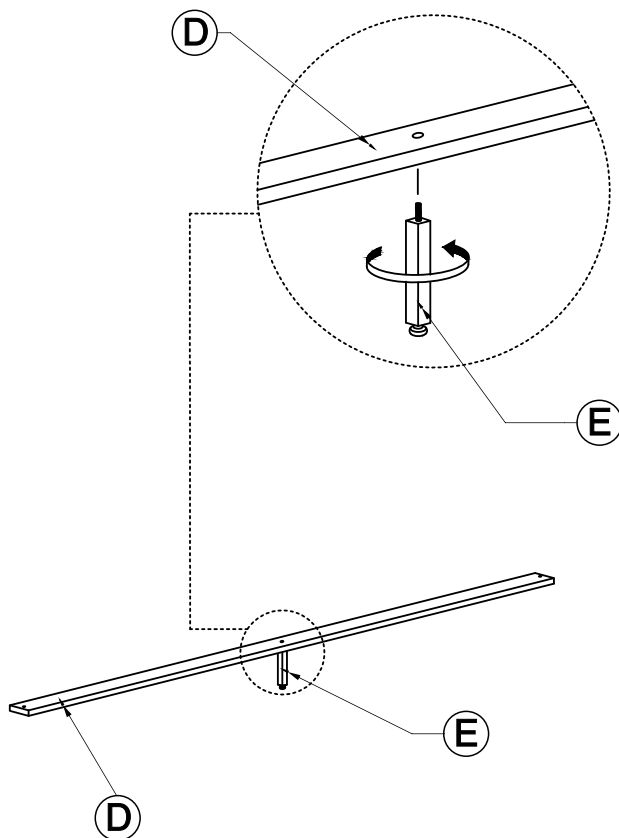
# ITEM : 300501KE (B1&B2)

## ASSEMBLY INSTRUCTIONS

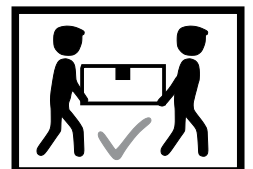
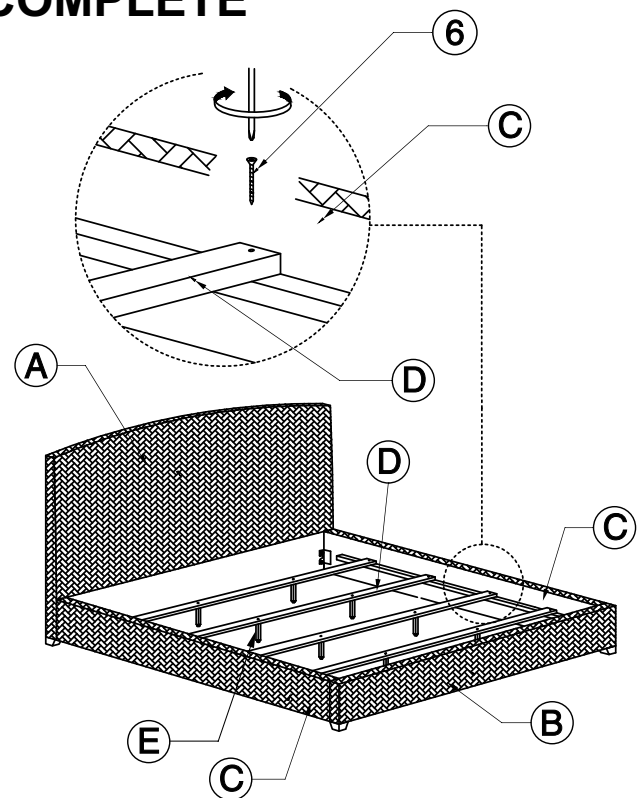
### STEP 1



### STEP 2



### STEP 3 COMPLETE



# ITEM : 300501KE (B1&B2)

## ASSEMBLE HEADBOARD TO METAL FRAME



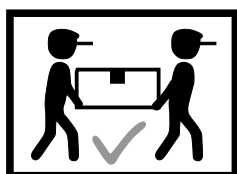
### ASSEMBLY TIPS:

1. Remove hardware from box and sort by size.
2. Please check to see that all hardware and parts are present prior to start of assembly.
3. Please follow attached instructions in the same sequence as numbered to assure fast & easy assembly.



### WARNING!

1. Don't attempt to repair or modify parts that are broken or defective. Please contact the store immediately.
2. This product is for home use only and not intended for commercial establishments.



ASSEMBLY TIME

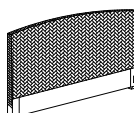
15 MINUTES

## PARTS IDENTIFICATION

### B1 (BOX 1)

A

HEADBOARD



1PC

## HARDWARE IDENTIFICATION

### Z - B1 (BOX 1) - HARDWARE PACK IS LOCATED IN 300501KE (B1)

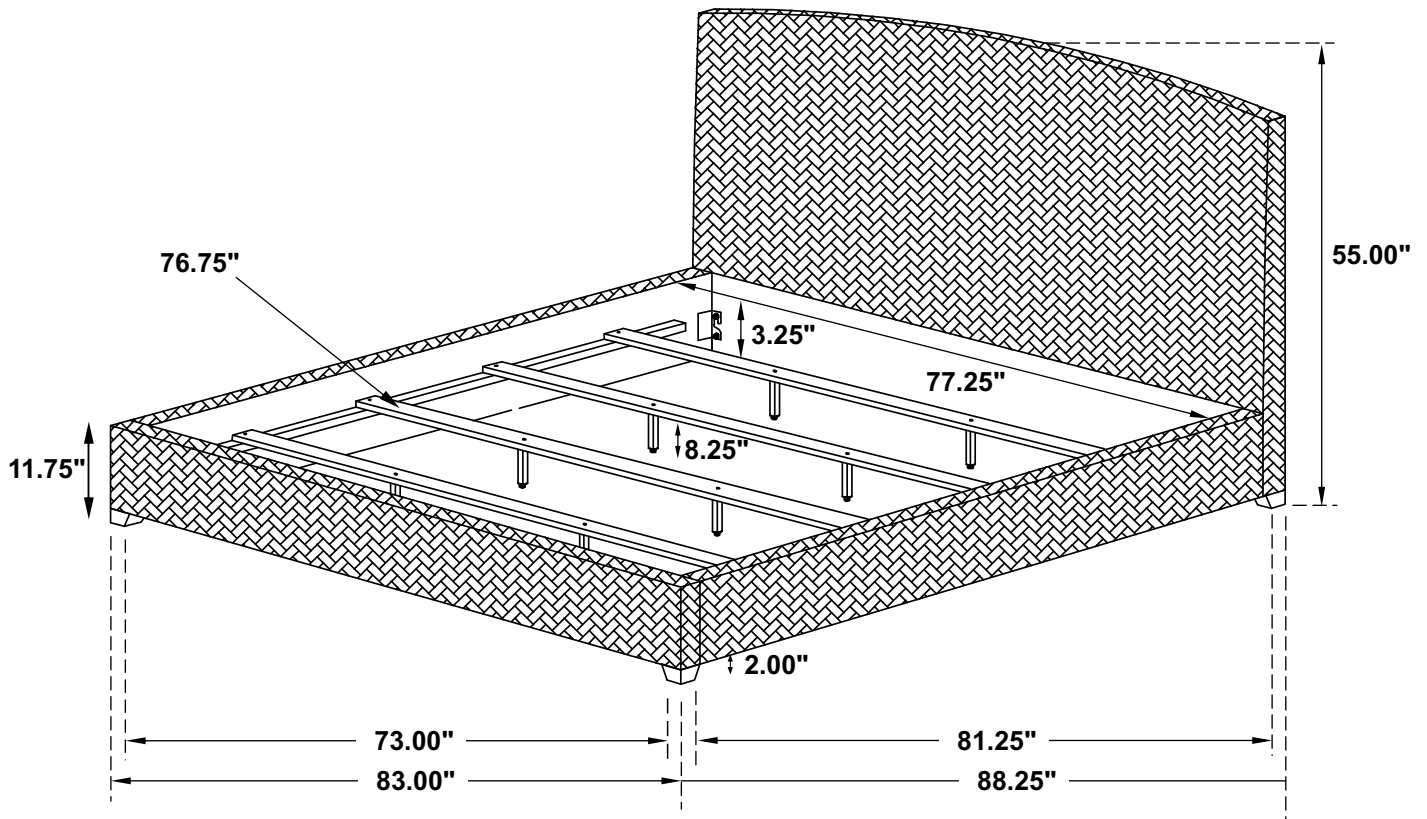
7	<b>BOLT</b> ( Ø7/23" x 2-3/8" - BLK )		6PCS
8	<b>LOCK WASHER</b> ( Ø4/16" - RBW )		6PCS
9	<b>FLAT WASHER</b> ( Ø4/16" - RBW )		12PCS
10	<b>ALLEN WRENCH</b> ( 4MM - BLK )		1PC
11	<b>HEX NUT</b> ( M 6mm - BLK )		6PCS
12	<b>WRENCH</b> ( 3-3/8" x 1-1/8" - RBW )		1PC



ITEM : **300501KE (B1&B2)**

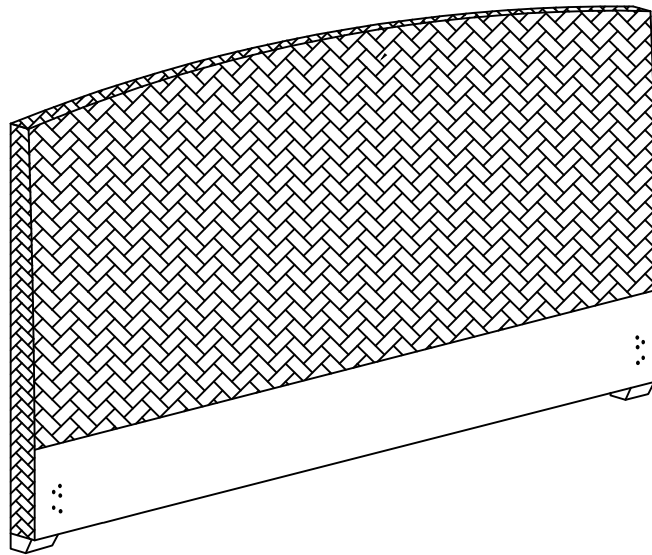


Inner Size : 77.25"W X 81.25"D



Note : Dimension tolerance  $\pm 5\%$

**ASSEMBLY INSTRUCTIONS**  
**COASTER FINE FURNITURE**



*Fine Furniture for every stage of life*

**300501KE(B1)**  
***Eastern King Headboard***

# ITEM: 300501KE (B1)



## ASSEMBLE HEADBOARD TO METAL FRAME

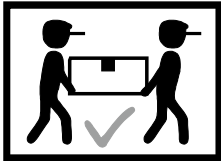
### ASSEMBLY TIPS :

1. Remove hardware from box and sort by size.
2. Please check to see that all hardware and parts are present prior to start of assembly.
3. Please follow attached instructions in the same sequence as numbered to assure fast & easy assembly.



### WARNING!

1. Don't attempt to repair or modify parts that are broken or defective. Please contact the store immediately.
2. This product is for home use only and not intended for commercial establishments.



ASSEMBLY TIME

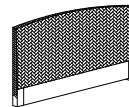
15 MINUTES

## PARTS IDENTIFICATION

### B1 (BOX 1)

A

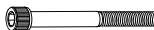





HEADBOARD



1PC

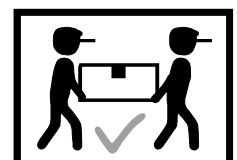
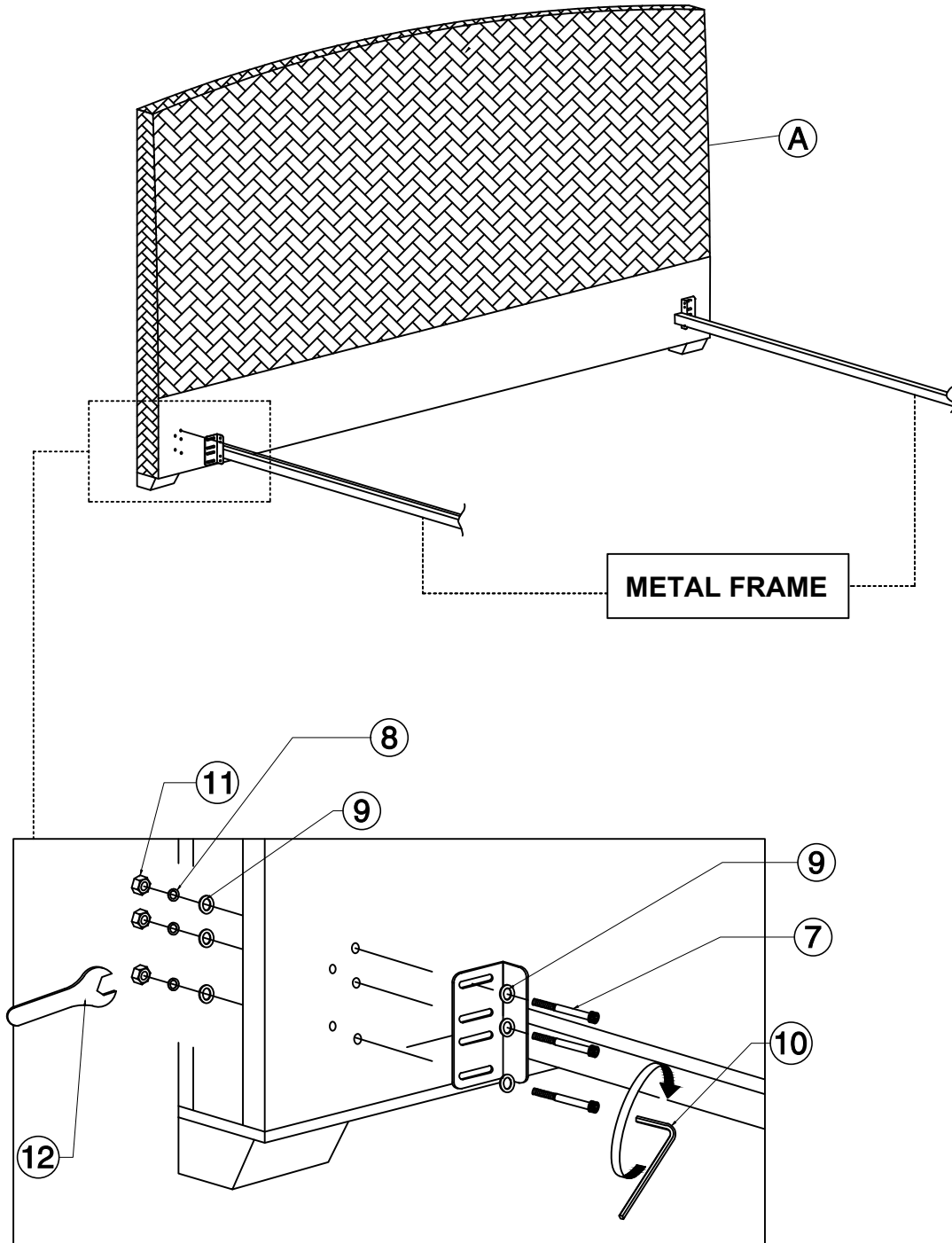
## HARDWARE IDENTIFICATION

### Z - B1 (BOX 1) - HARDWARE PACK IS LOCATED IN 300501KE (B1)

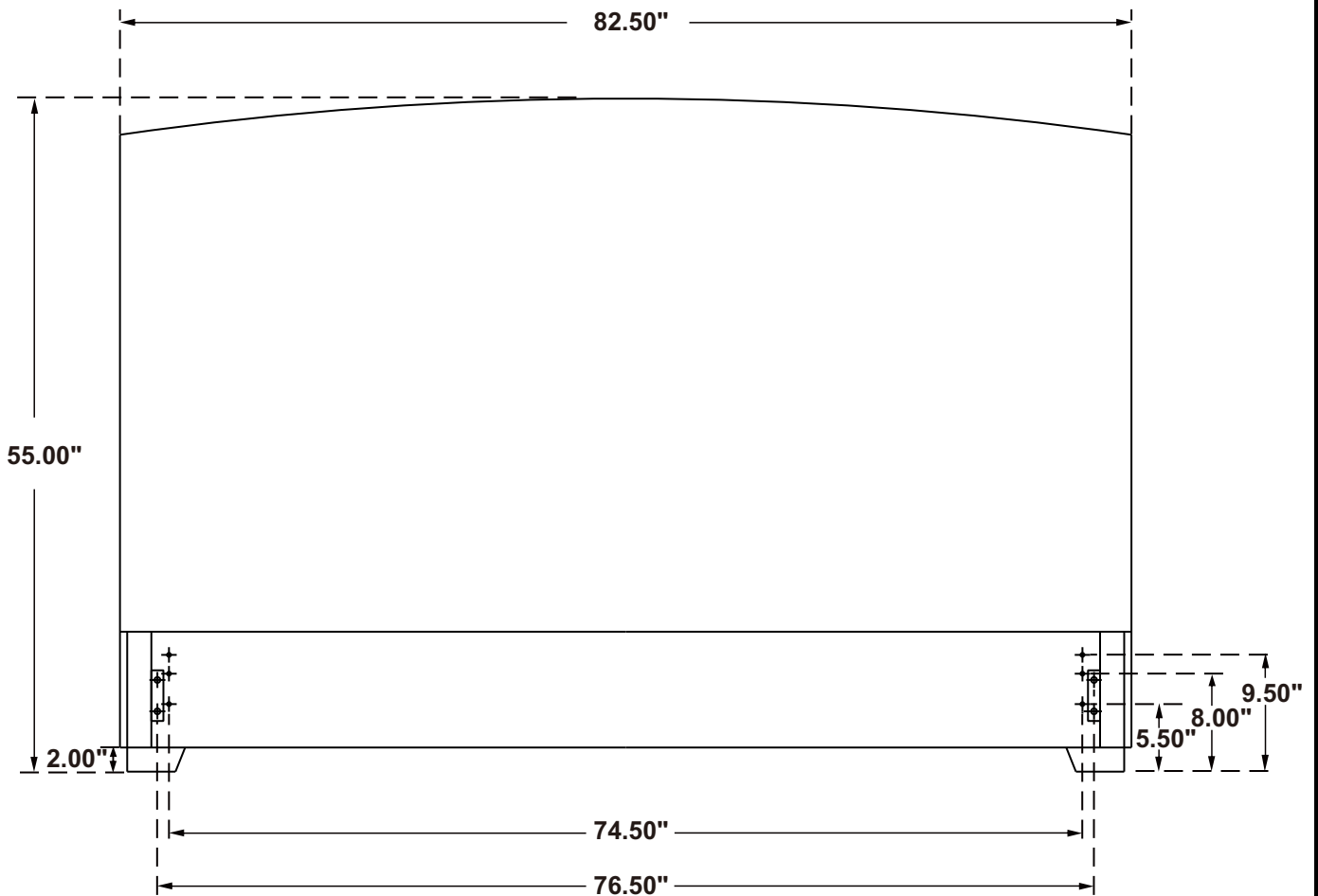
7	<b>LONG BOLT</b> ( Ø7/23" x 2-3/8" - BLK )		6PCS
8	<b>LOCK WASHER</b> ( Ø4/16" - RBW )		6PCS
9	<b>FLAT WASHER</b> ( Ø4/16" - RBW )		12PCS
10	<b>ALLEN WRENCH</b> ( 4mm - BLK )		1PC
11	<b>HEX NUT</b> ( M 6mm - BLK )		6PCS
12	<b>WRENCH</b> ( 3-3/8" x 1-1/8" - RBW )		1PC

# ITEM: 300501KE (B1)

## ASSEMBLE HEADBOARD TO METAL FRAME COMPLETE



ITEM: **300501KE (B1)**



Note: Dimension tolerance  $\pm 5\%$