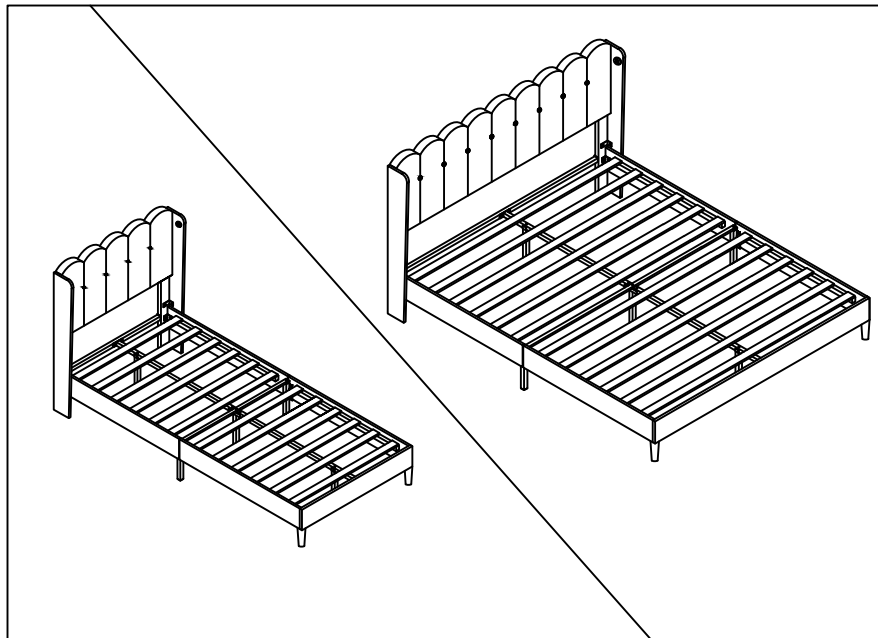


Montageanleitung | Instructions de montage Assembly Instructions | Instrucciones de montaje

SKU NUMBER: N601P288477/ N601P288478



1 / 21



English

IMPORTANT ! KEEP FOR FUTURE REFERENCE : READ CAREFULLY

- To be assembled by an adult. Assembly must be checked by an adult before use
- **WARNING !** Keep all screws, small parts and plastic bags out of the reach of children
- Properly identify all parts before assembling
- Never use your item if any of its parts are broken or missing
- Should any problems arise, please contact our After Sales Service
- Manufacturer's Instructions shall be followed at all times
- **Care:** Clean with a soft, dry cloth. In case of larger stains, carefully rub with a slightly damp, non-abrasive sponge
- Avoid the risk of fire by not placing furniture near sources of ignition or hot items
- Do not jump on the bed

Deutsch

WICHTIG ! ZUM SPÄTEREN NACHSCHLAGEN AUFBEWAHREN: SORGFÄLTIG LESEN

- Muss von einem Erwachsenen zusammengebaut werden. Der Zusammenbau muss vor dem Gebrauch von einem Erwachsenen überprüft werden
- **WARNUNG!** Bewahren Sie alle Schrauben, Kleinteile und Plastikbeutel außerhalb der Reichweite von Kindern auf
- Kennzeichnen Sie vor dem Zusammenbau alle Teile richtig
- Benutzen Sie Ihren Artikel niemals, wenn Teile gebrochen sind oder fehlen
- Sollten Probleme auftreten, wenden Sie sich bitte an unseren Kundendienst
- Die Anweisungen des Herstellers sind stets zu befolgen
- **Pflege:** Mit einem weichen, trockenen Tuch reinigen. Bei größeren Flecken vorsichtig mit einem leicht feuchten, nicht scheuernden Schwamm abreiben. Nicht scheuernden Schwamm
- Vermeiden Sie die Gefahr eines Brandes, indem Sie die Möbel nicht in der Nähe von Zündquellen oder heißen Gegenständen aufstellen
- Nicht auf das Bett springen

Français

IMPORTANT ! CONSERVER POUR RÉFÉRENCE ULTÉRIEURE : LIRE ATTENTIVEMENT

- Le montage doit être effectué par un adulte. Le montage doit être vérifié par un adulte avant utilisation
- **ATTENTION !** Tenir les vis, les petites pièces et les sachets en plastique hors de portée des enfants
- Identifiez correctement toutes les pièces avant de les assembler
- N'utilisez jamais votre article si l'une de ses pièces est cassée ou manquante
- En cas de problème, veuillez contacter notre service après-vente
- Les instructions du fabricant doivent être respectées à tout moment
- **Entretien :** nettoyer avec un chiffon doux et sec. En cas de taches plus importantes, frotter soigneusement avec une éponge non abrasive légèrement humide. Légèrement humide et non abrasive
- Évitez les risques d'incendie en ne plaçant pas les meubles à proximité de sources d'inflammation ou d'objets chauds
- Ne pas sauter sur le lit

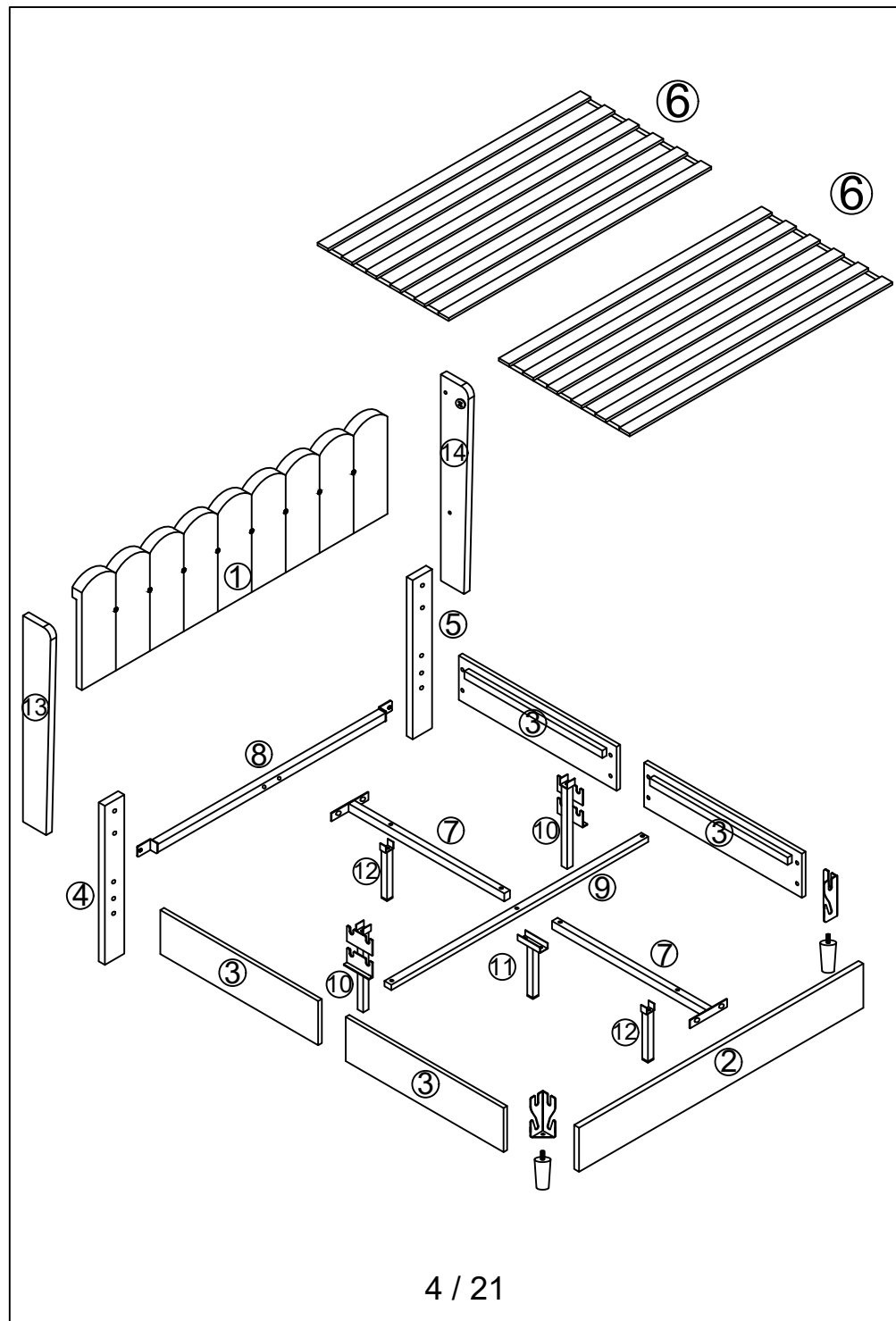
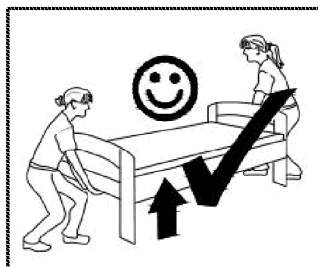
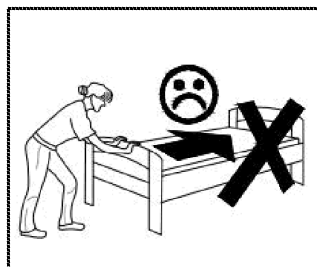
2 / 21

Italiano | **IMPORTANTE! CONSERVARE PER RIFERIMENTO FUTURO: LEGGERE ATTENTAMENTE**

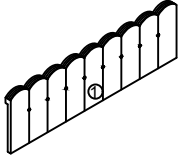
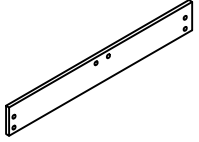
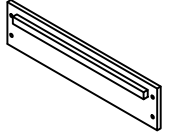
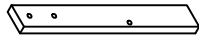
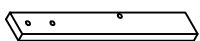
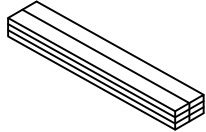
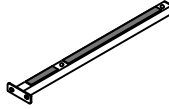
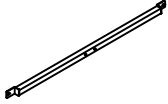
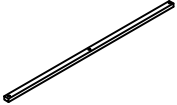
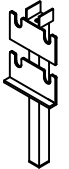
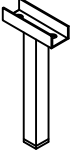

- Deve essere assemblato da un adulto. L'assemblaggio deve essere controllato da un adulto prima dell'uso
- **ATTENZIONE!** Tenere tutte le viti, le piccole parti e i sacchetti di plastica fuori dalla portata dei bambini
- Identificare correttamente tutte le parti prima dell'assemblaggio
- Non utilizzare mai l'articolo se alcune parti sono rotte o mancanti
- In caso di problemi, si prega di contattare il nostro Servizio Post Vendita
- Le istruzioni del produttore devono essere sempre seguite
- **Cura:** Pulire con un panno morbido e asciutto. In caso di macchie più estese, strofinare accuratamente con una spugna leggermente umida e non spugna leggermente umida e non abrasiva
- Evitare il rischio di incendio, non collocando i mobili vicino a fonti di accensione o a oggetti caldi
- Non saltare sul letto

Español | **¡ IMPORTANTE ! CONSERVELO PARA FUTURAS CONSULTAS: LEA ATENTAMENTE**



- Debe ser montado por un adulto. El montaje debe ser comprobado por un adulto antes del uso
- ADVERTENCIA** Mantenga todos los tornillos, piezas pequeñas y bolsas de plástico fuera del alcance de los niños.
- Identifique correctamente todas las piezas antes de montarlas
- Nunca utilice su artículo si alguna de sus piezas está rota o falta
- Si surge algún problema, póngase en contacto con nuestro Servicio Postventa
- Las instrucciones del fabricante deben seguirse en todo momento
- **Cuidado:** Limpiar con un paño suave y seco. En caso de manchas más grandes, frote cuidadosamente con una esponja no abrasiva ligeramente humedecida.
- Evite el riesgo de incendio no colocando los muebles cerca de fuentes de ignición u objetos calientes.
- No saltar sobre la cama.



N601P288477 / N601P288478


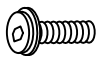







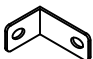

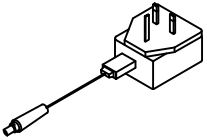
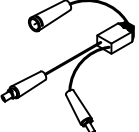
①		1pc	②		1pc
③		4pcs	④		1pc
⑤		1pc	⑥		2sets
⑦		2pcs	⑧		1pc
⑨		1pc	⑩		2pcs
⑪		1pc	⑫		2pcs

N601P288477 / N601P288478

⑬		1pc	⑭		1pc

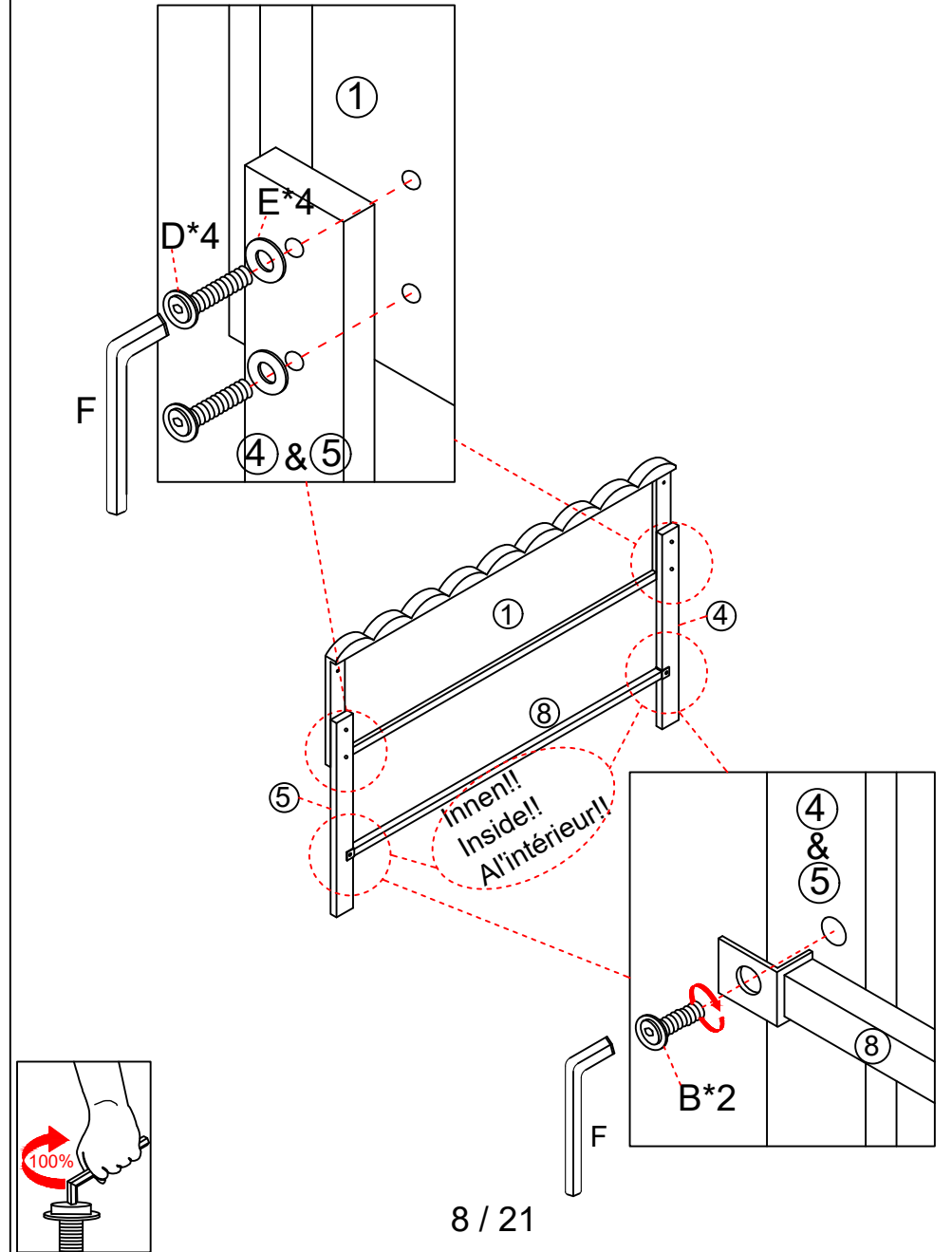
Hardware List-Hardware-Liste-Liste du matériel

N601P288477 / N601P288478

(A)		24	(B)		16
(C)		4	(D)		5
(E)		4	(F)		1
(G)		2	(H)		1
(I)		1	(J)		4
(K)		2	(L)		1
(M)		1			

7 / 21

1  M8*25 B*2PCS  M8*45 D*4PCS  E*4PCS  F*1PC



8 / 21

2



H*1PC



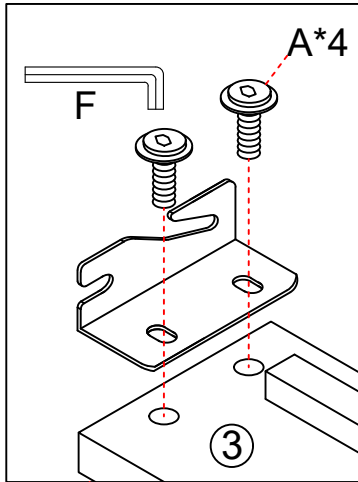
I*1PC



M8*18
A*4PCS



F*1PC

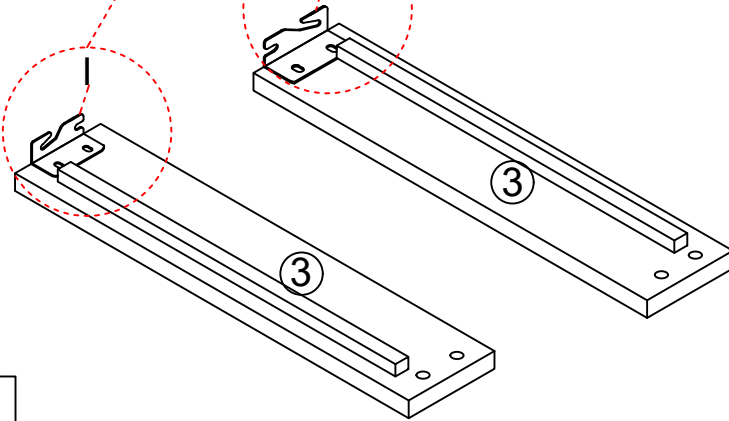


A*4

F

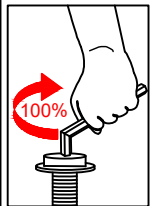
3

H



3

3



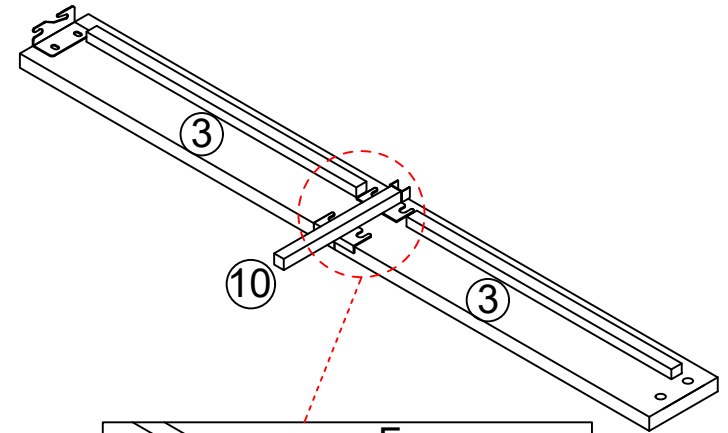
9 / 21

3

M8*18
A*8PCS



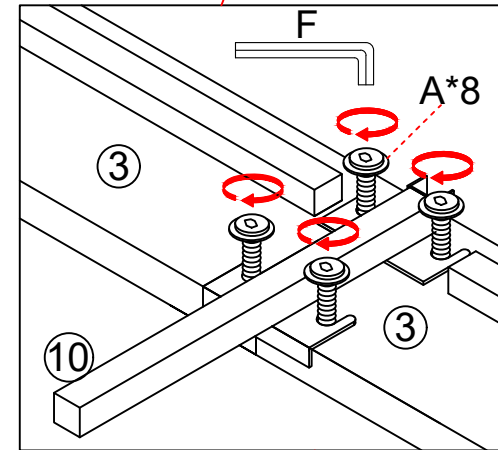
F*1PC



3

10

3



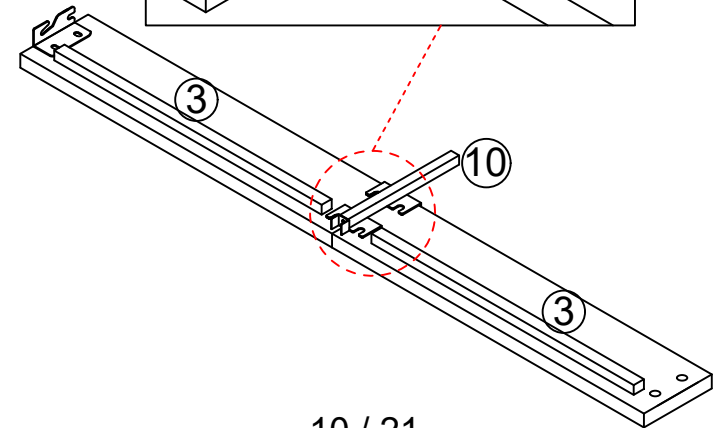
F

A*8

3

10

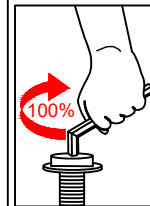
3



3

10

3



10 / 21

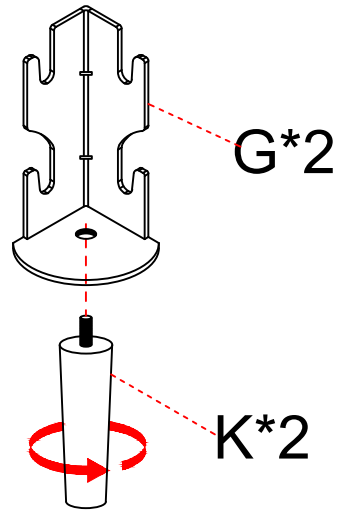
4



G*2PCS



K*2PCS

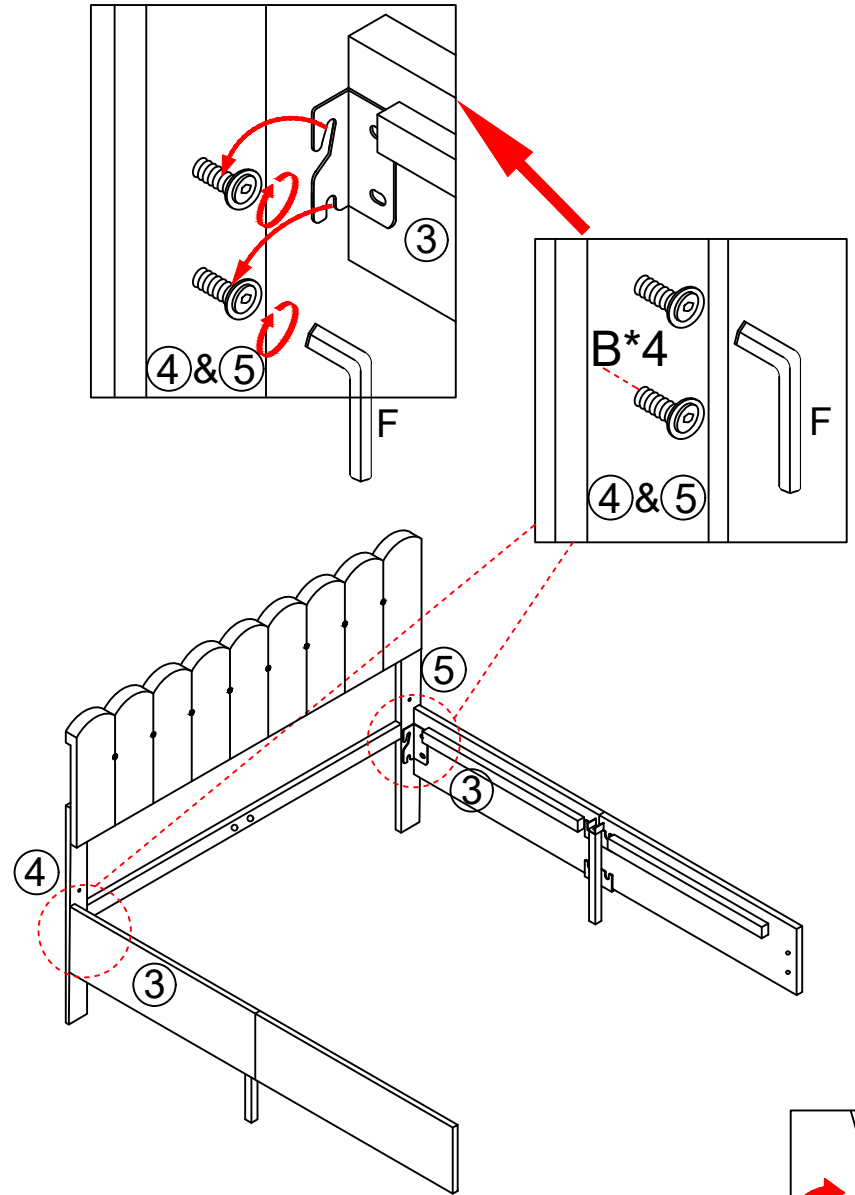


11 / 21

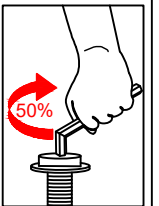
5

M8*25
B*4PCS

F*1PC

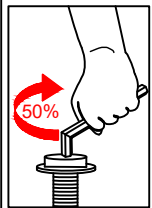
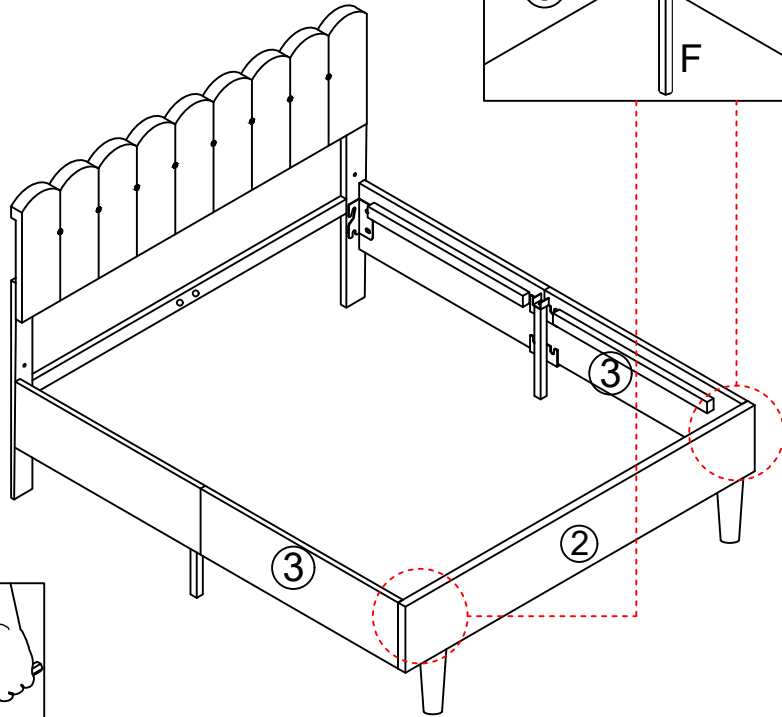
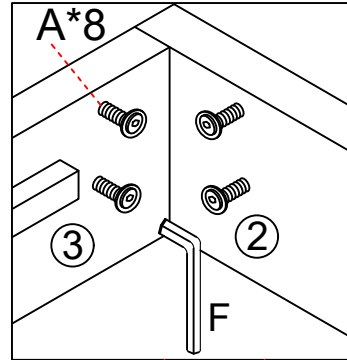
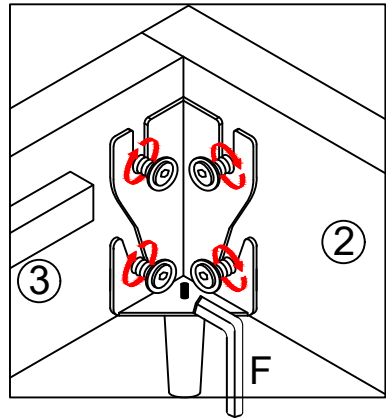


12 / 21



6

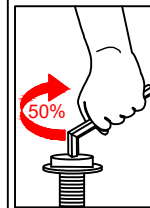
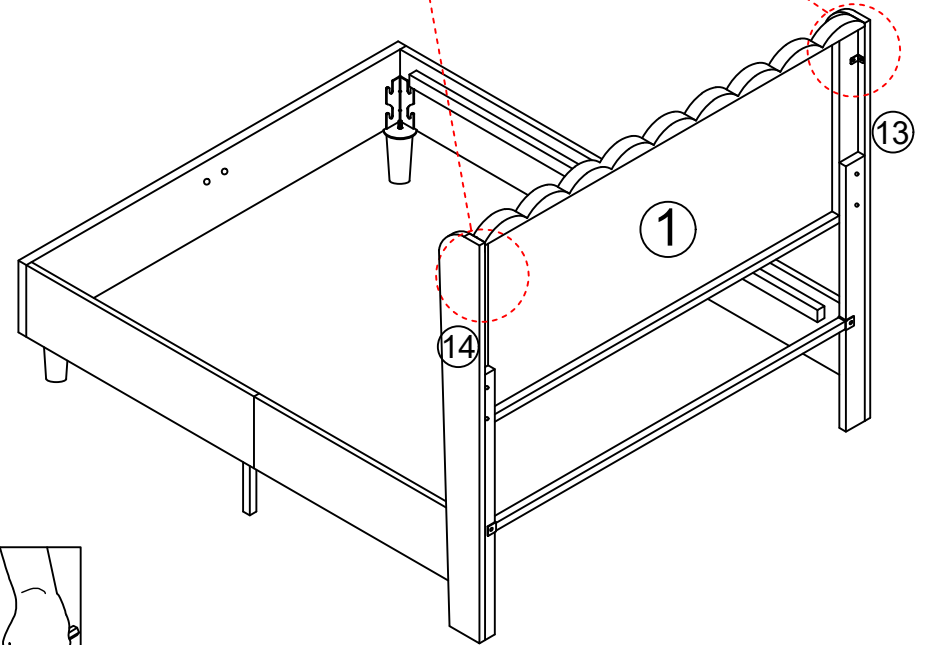
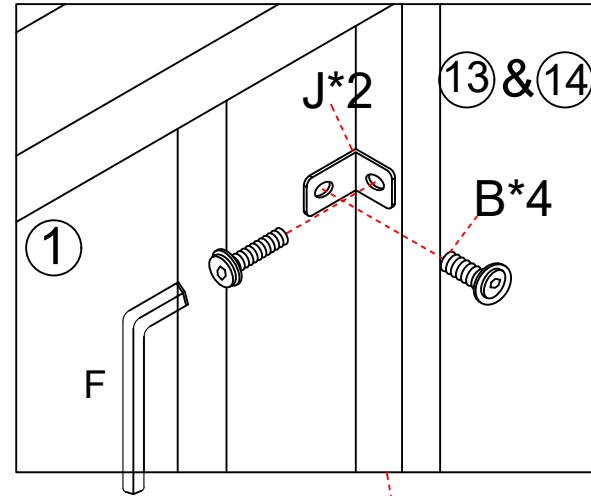
M8*18
A*8PCS F*1PC



13 / 21

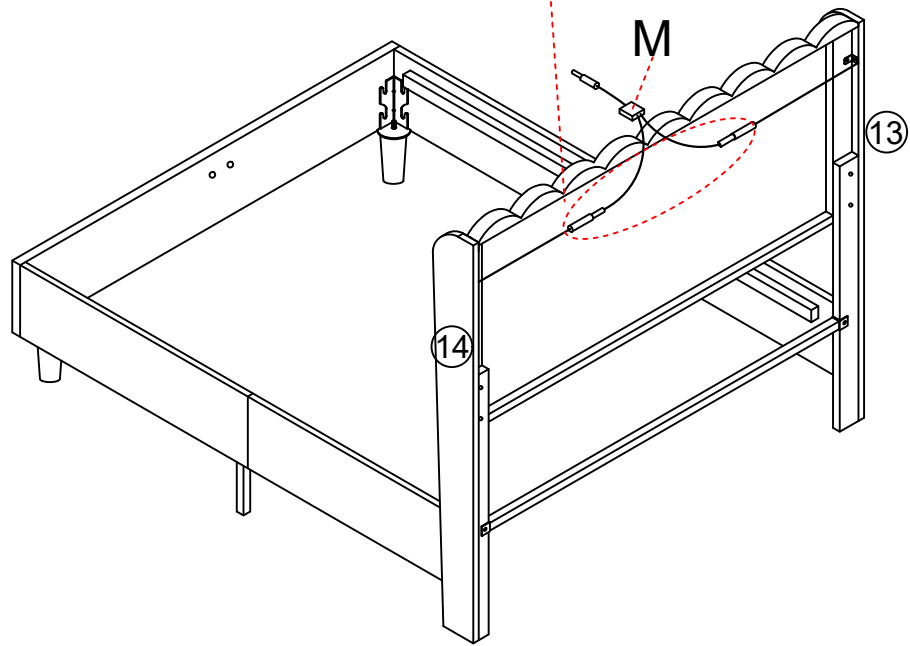
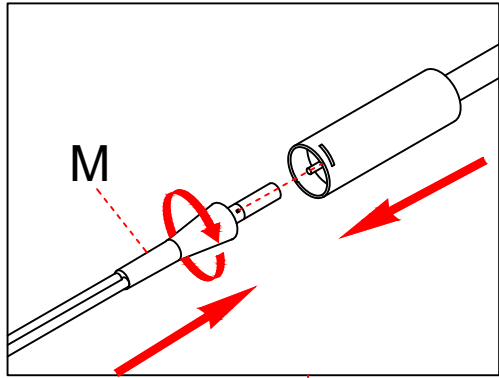
7

M8*25
B*4PCS J*2PCS F*1PC



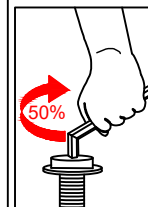
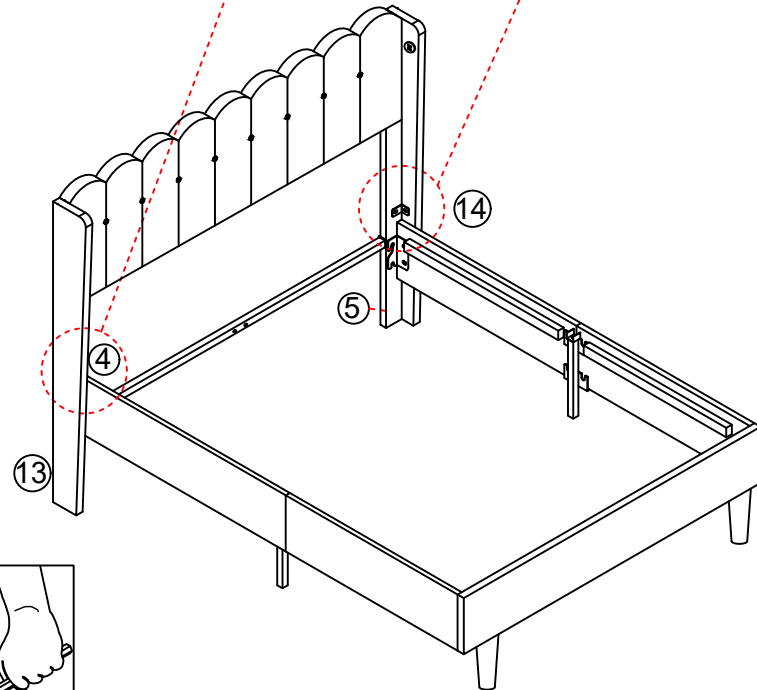
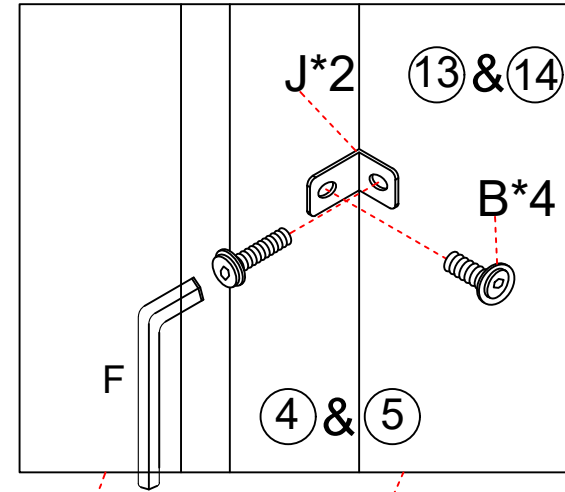
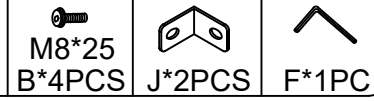
14 / 21

8



15 / 21

9

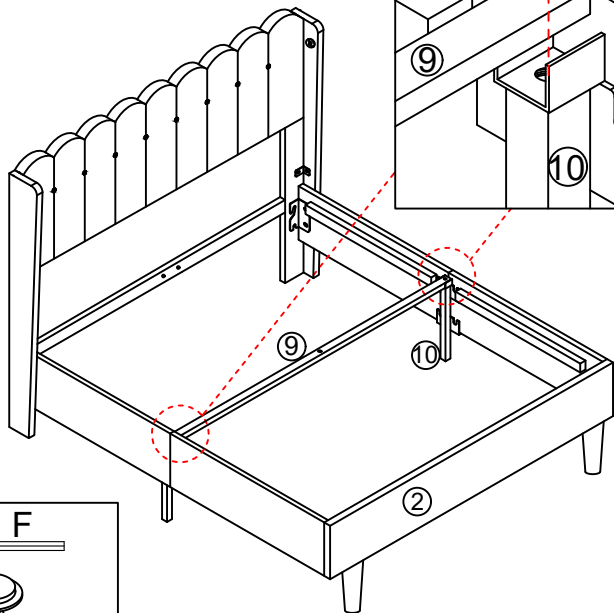
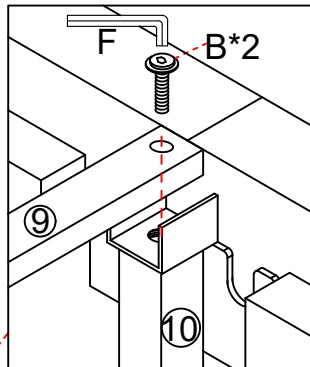


16 / 21

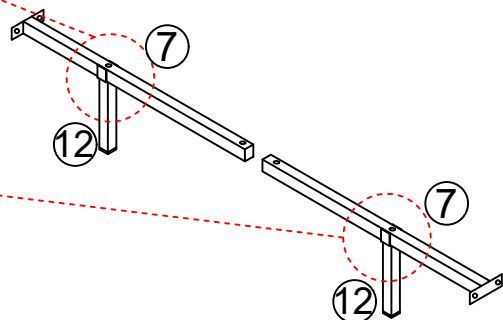
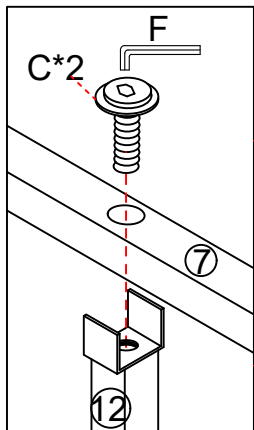
10

- M8*25 B*2PCS
- M8*35 C*2PCS
- F*1PC

10-2



10-1

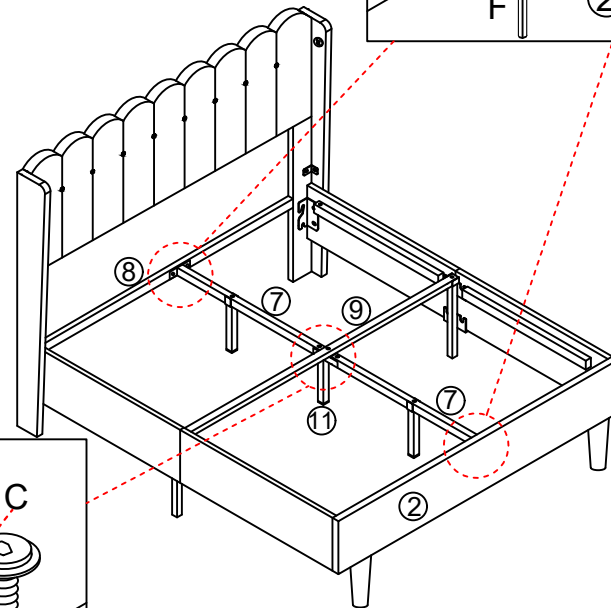
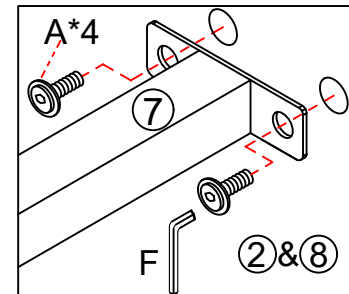


17 / 21

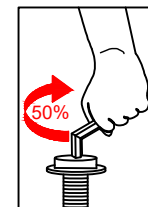
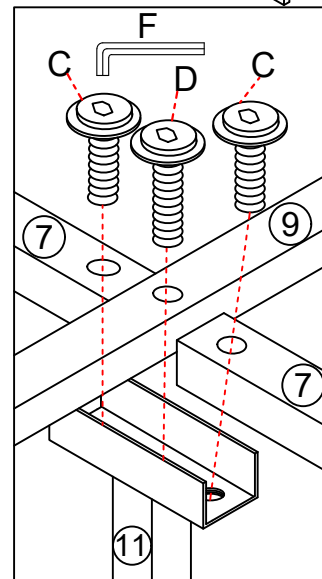
11

- M8*18 A*4PCS
- M8*35 C*2PCS
- M8*45 D*1PC
- F*1PC

11-1

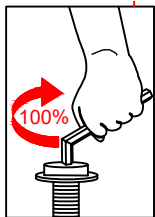
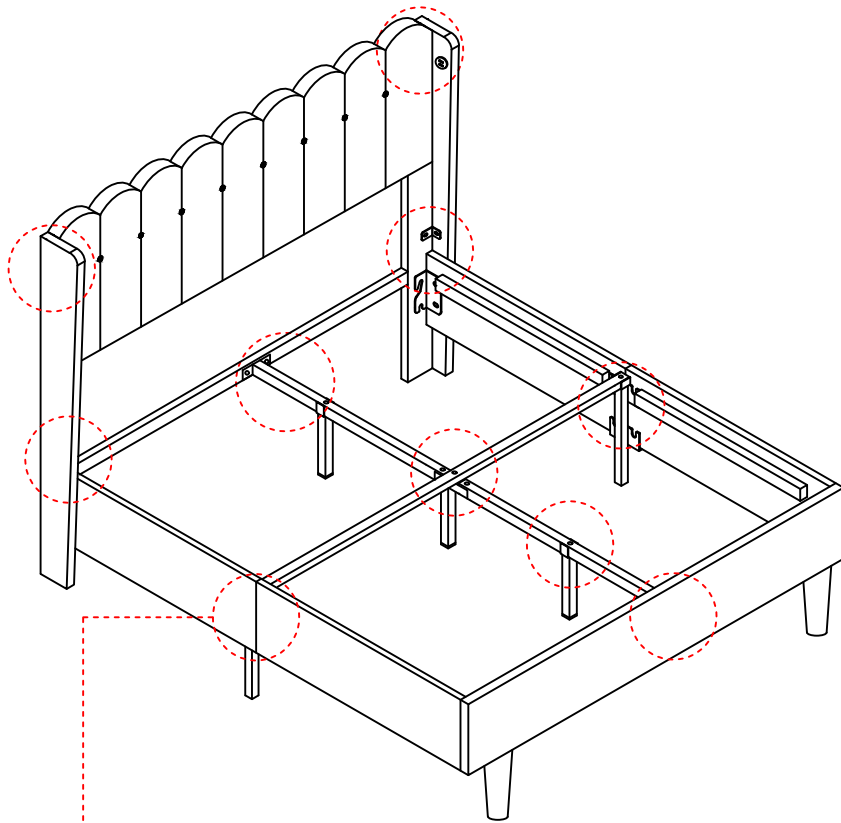


11-2



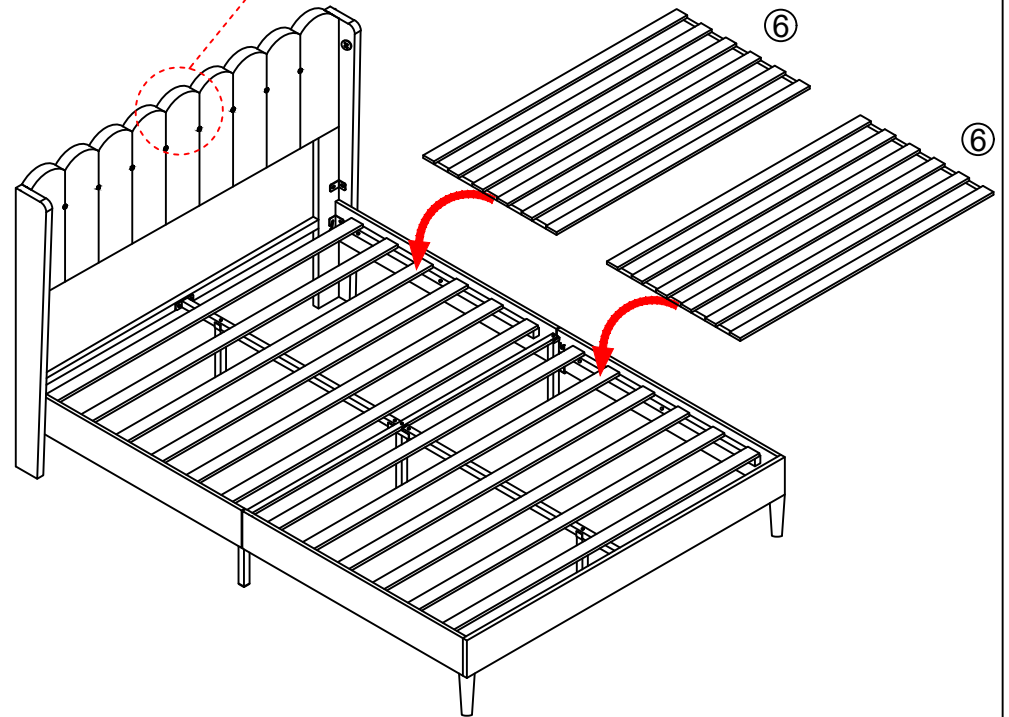
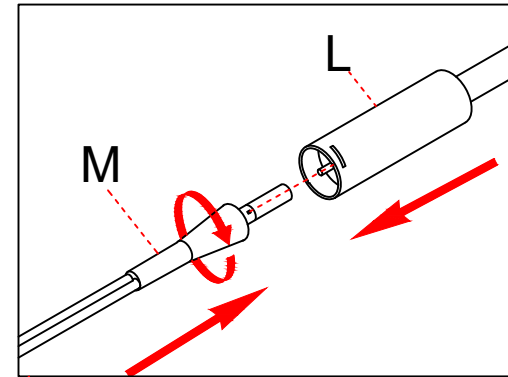
18 / 21

12

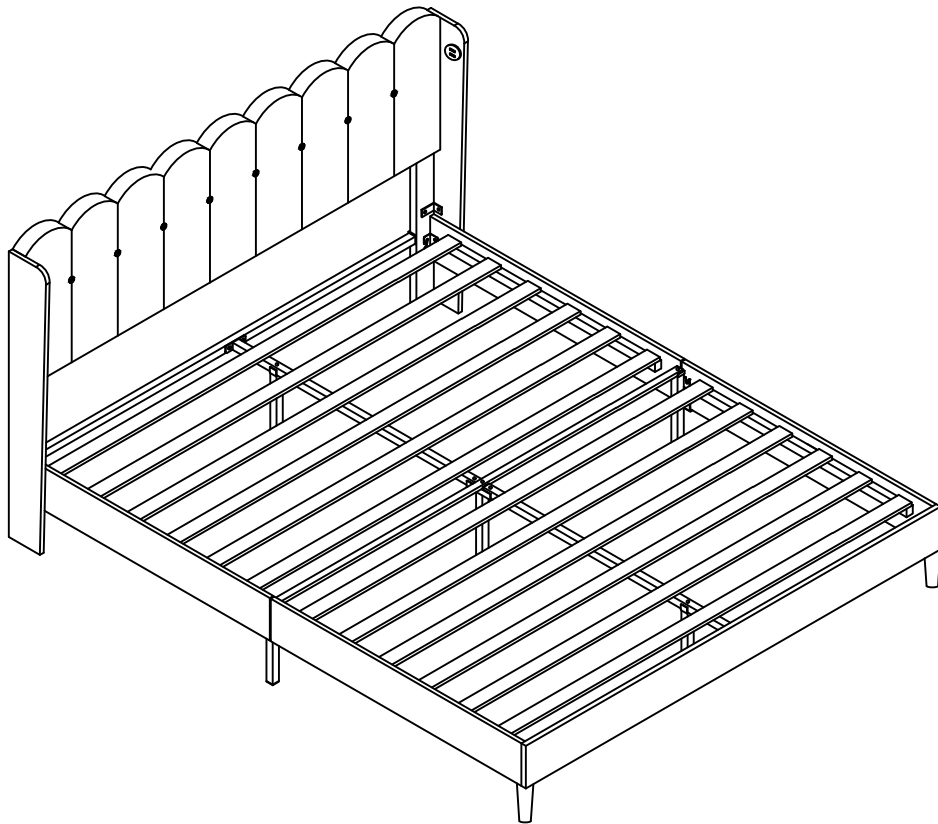


19 / 21

13



20 / 21



Attestation of Conformity

No. E8AUK 103501 0144 Rev. 00

Holder of Certificate: Shenzhen Jiuzhou Power
Technology Co., Ltd.
4/F First Block, Jinnelwei First Industrial Park
West of Xingye Road, Heyi
Shajing Town, Baoan District
518104 Shenzhen, Guangdong
PEOPLE'S REPUBLIC OF CHINA

Name of Object: Adaptors
(AC/DC ADAPTER)

This Attestation of Conformity is issued on a voluntary basis according to the Electromagnetic Compatibility Regulations 2016 relating to electromagnetic compatibility. It confirms that the listed apparatus complies with all essential requirements of the regulation and is based on the technical specifications applicable at the time of issuance. It refers only to the particular sample submitted for testing and certification. For details see: www.tuvsud.com/ps-cert

Test report no.: 657602117701UK

Date, 2022-06-30

(Laurent Yuan)

Page 1 of 4

After preparation of the necessary UK regulation technical documentation as well as the UK declaration of conformity the required UKCA marking can be affixed on the product. Other applicable UK regulations have to be observed.

Attestation of Conformity

No. E8AUK 103501 0144 Rev. 00

Model(s):

J121-xxxxxxxwX, J061-xxxxxxxwX,
J121-050yyyywU, J061-050yyyywU,
J121L-xxxxxxxIX, J061L-xxxxxxxIX,
J121L-050yyyyIU, J061L-050yyyyIU,
J121L-xxxxxxxEX, J061L-xxxxxxxEX,
J121L-050yyyyEU, J061L-050yyyyEU
(xxx=045-300, stand for rated output voltage from
4.5VDC to 30.0VDC; yyyy=0001-2100, stand for
rated output current from 0.001A to 2.1A; w=E, B or
S, represent for different mains plug, E means
European plug; B means British plug, S means
Australia plug.)
J150-xxxxxxxEX, J150-050yyyyEU,
J012-xxxxxxxEX, J012-050yyyyEU,
J180-xxxxxxxwX, J151-xxxxxxxwX,
J180-050yyyywU, J151-050yyyywU,
J180-xxxxxxxIX, J151-xxxxxxxIX,
J180-050yyyyIU, J151-050yyyyIU,
J180A-xxxxxxxwX, J151A-xxxxxxxwX,
J180A-050yyyywU, J151A-050yyyywU,
J180A-xxxxxxxIX, J151A-xxxxxxxIX,
J180A-050yyyyIU, J151A-050yyyyIU,
J180C-xxxxxxxwX
(xxx=045-300, stand for rated output voltage from
4.5VDC to 30.0VDC; yyyy=0010-3000, stand for
rated output current from 0.01A to 3.0A; w=E, B or
S, represent for different mains plug, E means
European plug; B means British plug, S means
Australia plug.)

Description of Object:

Rated Input: 100-240VAC, 50/60Hz, 0.6A
Rated Output: See below table for details
Protection Class: II

Page 2 of 4

After preparation of the necessary UK regulation technical documentation as well as the UK
declaration of conformity the required UKCA marking can be affixed on the product. Other applicable
UK regulations have to be observed.

Attestation of Conformity

No. E8AUK 103501 0144 Rev. 00

Model	Rated output voltage (VDC)	Rated output current (A)	Max. rated output power (W)
J121-xxxxxxxwX, J061-xxxxxxxwX, J121L-xxxxxxxIX, J061L-xxxxxxxIX, J121L-050yyyywX, J061L-050yyyywX, J121L-xxxxxxxEX, J061L-xxxxxxxEX, J121L-050yyyyEU, J061L-050yyyyEU	4.5-8.9	0.001-2.1	10.5
	9.0-16.0	0.001-1.33	12.0
J121L-050yyyyIU, J061L-050yyyyIU, J121L-050yyyyEX, J061L-050yyyyEX	16.1-30.0	0.001-0.745	12.0
J121-050yyyywU, J061-050yyyywU, J121L-050yyyywU, J061L-050yyyywU, J121L-050yyyyIU, J061L-050yyyyIU	5.0	0.001-2.1	10.5



Model	Rated output voltage (VDC)	Rated output current (A)	Max. rated output power (W)
J150-xxxxxxxwX, J012-xxxxxxxwX, J180-xxxxxxxwX, J151-xxxxxxxwX, J180-xxxxxxxIX, J151-xxxxxxxIX, J180A-xxxxxxxwX, J151A-xxxxxxxwX, J180A-xxxxxxxIX, J151A-xxxxxxxIX, J180C-xxxxxxxwX	4.5-8.9	0.01-3.0	15.0
	9.0-16.0	0.01-2.0	18.0
J150-050yyyywU, J012-050yyyywU, J180-050yyyywU, J151-050yyyywU, J180-050yyyyIU, J151-050yyyyIU, J180A-050yyyywU, J151A-050yyyywU, J180A-050yyyyIU, J151A-050yyyyIU	16.1-30.0	0.01-1.12	18.0
J150-050yyyywU, J012-050yyyywU, J180-050yyyywU, J151-050yyyywU, J180-050yyyyIU, J151-050yyyyIU, J180A-050yyyywU, J151A-050yyyywU, J180A-050yyyyIU, J151A-050yyyyIU	5.0	0.01-3.0	15.0

Page 3 of 4

After preparation of the necessary UK regulation technical documentation as well as the UK
declaration of conformity the required UKCA marking can be affixed on the product. Other applicable
UK regulations have to be observed.



0101

Attestation of Conformity

No. E8AUK 103501 0144 Rev. 00

**Tested
according to:**

EN IEC 55014-1:2021
EN IEC 55014-2:2021
EN 55032:2015/A11:2020
EN 55035:2017/A11:2020
EN IEC 61000-3-2:2019/A1:2021
EN 61000-3-3:2013/A2:2021
BS EN IEC 55014-1:2021
BS EN IEC 55014-2:2021
BS EN 55032:2015/A11:2020
BS EN 55035:2017/A11:2020
BS EN IEC 61000-3-2:2019/A1:2021
BS EN 61000-3-3:2013/A2:2021

Page 4 of 4

After preparation of the necessary UK regulation technical documentation as well as the UK declaration of conformity the required UKCA marking can be affixed on the product. Other applicable UK regulations have to be observed.