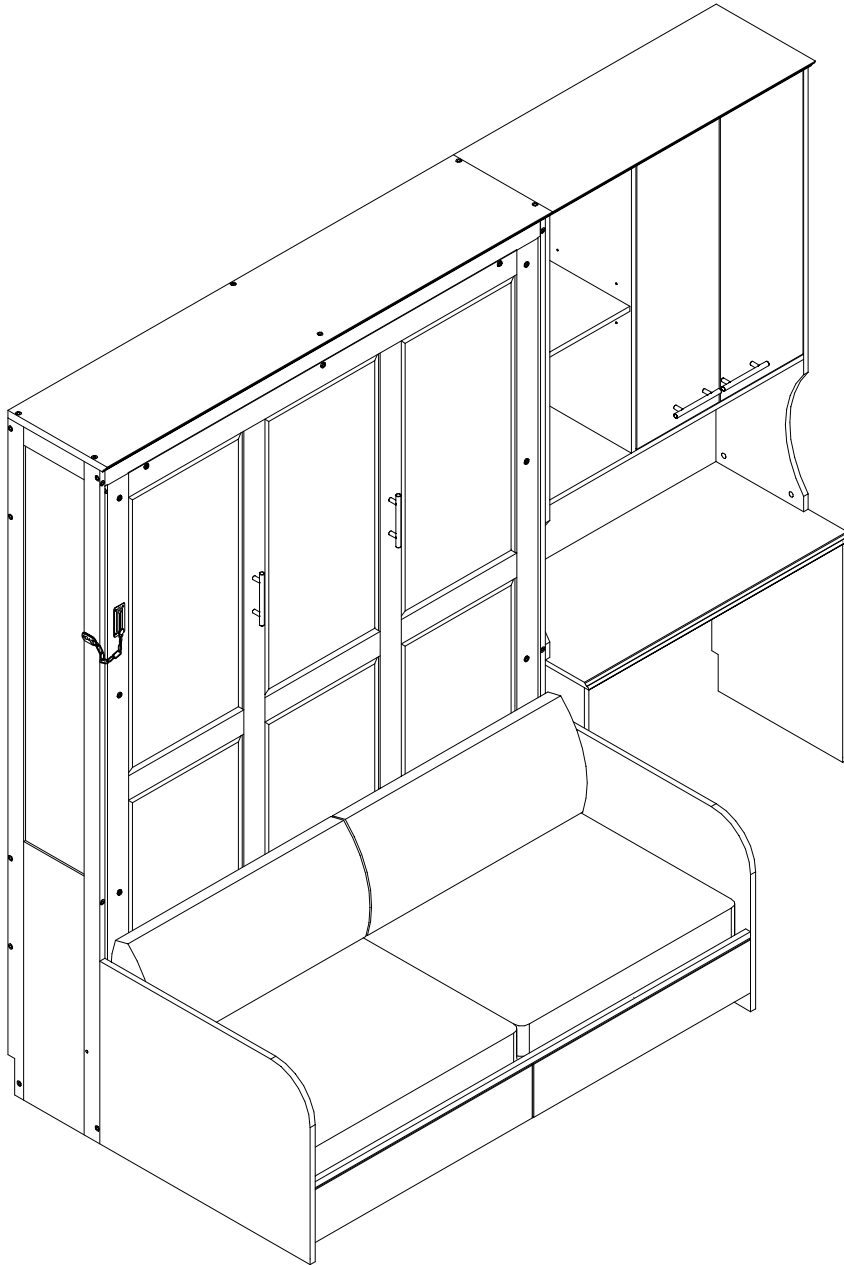


ASSEMBLY INSTRUCTION

INSTRUCTIONS DE MONTAGE



Four people are required to assemble and move this model.



Quatre personnes sont nécessaires pour assembler et déplacer ce modèle.

IMPORTANT INFORMATION PACKAGE.

THIS INFORMATION PACKAGE CONTAINS WARNING AND
PRODUCT SAFETY INFORMATION. DO NOT PROCEED
WITHOUT REVIEWING THOROUGHLY.

A. MATTRESS PLACEMENT.

Only after the Bed is FULLY SECURED to the wall, the 2 adult persons who are holding down the entire Bed, can now be released for this action.

Have 1 to 2 persons – place equal strengths to the handles and gently and securely, PULL DOWN the Bed Frame until the Bed Frame is horizontally and level to the ground.

Have the other 2 persons – carry and place the Mattress (within the recommended weight and thickness) and gently place the Mattress on to the Bed Frame.

B. WARNING LABELS.

Your purchased Bed is delivered to you with WARNING LABELS to constantly remind you to take and adopt Safety Measure throughout the entire assembly and mounting points of the Bed to the walls.

DO NOT REMOVE these labels.

These Warning Labels serve as a Reminder Tool for visiting friends and relatives when using the Bed to ensure Safety Precautions are taken.



WARNING.

IMPORTANT SAFETY REQUIREMENTS - Bed Attachment to Wall.

For Your Safety, the Bed MUST BE ATTACHED to the Wall.

Seek Certified Professional Consultant / Contractors for their Services to:

- 1.) DETERMINE the WALL Type in Your Home;
- 2.) PRECISE HARDWARE that suits to the Wall Type in Your Home;
- 3.) INSTALL / ATTACH of the Murphy Bed to the Wall in Your Home;
- 4.) VALIDATE the Bed is appropriately and securely installed/attached.

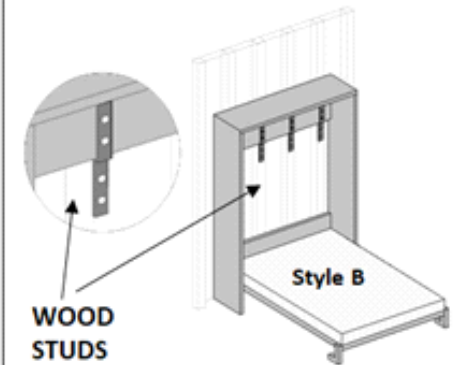
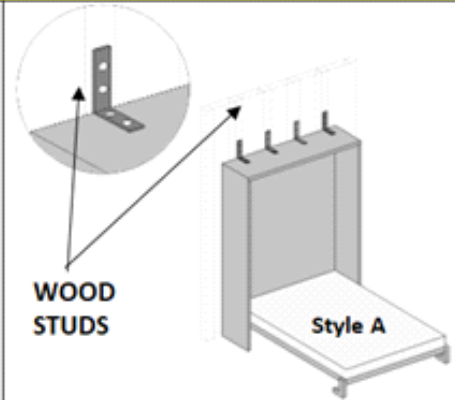
The choice of wall anchoring hardware depends on the type of wall. This Bed is delivered with HARDWARE SCREWS suited for attachment to WOOD STUDS in walls. Any STUDS type detected with your Consultant-Contractors to be NOT WOOD STUDS - DISCARD and DO NOT USE these SCREWS. Use the hardware suitable for your wall material.

Seek the professional advice of your Consultant-Contractor and procure the appropriate hardware and brackets for the attachment of the Bed to the Wall.

FAILURE TO ADHERE TO THE ABOVE INSTRUCTIONS MAY RESULT IN SERIOUS and/or SEVERE INJURIES or Death caused by the detachment of the Bed from the Wall.

SAFETY PRECAUTION :

- 1.) MAXIMUM Mattress Weight suited to your Bed : 39 lbs (18 kg);
MAXIMUM mattress thickness: 8 inches (20 cm);
- 2.) ENSURE ADULTS ONLY throughout the entire assembly and attachment.
- 3.) KEEP ALL Children, Non-Ambulatory persons and Pets at bay during the entire assembly and attachment.

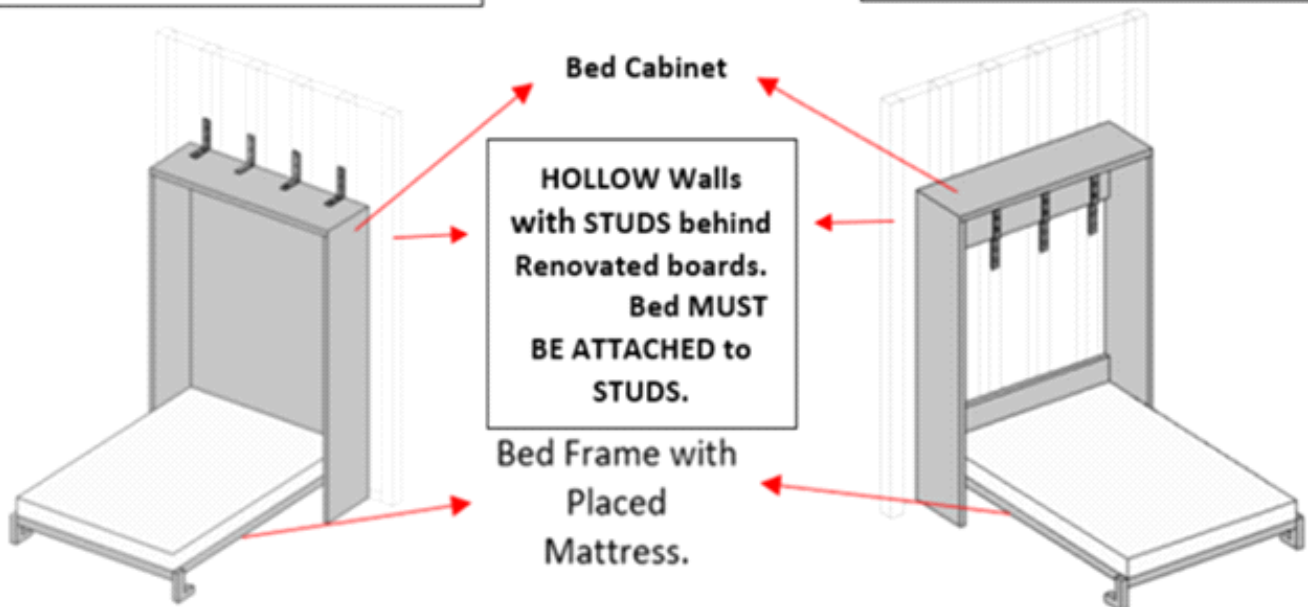


LINE ART for Reference only and NOT DRAWN TO SCALE.

CAUTION : Homes are renovated differently. There are CONCRETE walls and "hollow walls". Hollow walls are reinforced with STUDS of Wooden or Steel Materials. Seek advice from professionals.

Style A - VERTICAL Bed with SEALED/CLOSED Back board.

Style B - VERTICAL Bed with OPEN STYLE Back board.



C. SAFETY REMINDERS.

MARKINGS in WALL – WHERE TO ATTACH the BED.

Irrespective of the wall type, whether **Solid Concrete Walls OR Decorative Walls** with **WOODEN Studs OR Decorative Walls with Metal Studs**, ensure that

- a.) you choose a professional installer who has a good understanding of the wall structure where the Bed is anchored, including the position of the wall studs and structural components in the case of a wood or metal structure.
- b.) precise markings of the positions of the anchor points are to be made on the wall for easy identification during the Bed attachment to the wall.
- c.) the relevant and appropriate Hardware with Metal Brackets are READY for this attachment and are within easy access for prompt and efficient attachment.

This product requires Professional Consultation and Installation*.

* When you choose the professional installer, make sure to comply with all applicable laws, regulations and rules in the city, state or country where the Bed is installed.

To have your Bed fully assembled and to achieve its intended functionality – you **MUST READ** through this entire Assembly Instructions Manual before you start the assembly of the bed

1.) **There are numerous Safety Issues and Safety Precautionary Actions that you MUST KNOW before you start the Assembly.**
2.) **CAUTION - Failure to FOLLOW / ADHERE to the GUIDE, WARNING AND REMINDERS here, may result in serious / severe injuries or death.**
3.) **PRECAUTION : For the assembly, Adult Partners only, to assist in the entire assembly. Ensure 4 (four) to 6 (six) ABLE BODIED PERSONS ONLY in the entire assembly and attachment of this Bed to the walls of your home.**
4.) **CAUTION : During the entire assembly process and attachment of the Bed to the walls of your home, Keep ALL Children, Non-Ambulatory Persons and Pets completely at bay.**
6.) **SAFETY REMINDER on / to : Personal, Family Members and Pets. The Bed may be shipped to you in 3 to 5 packages and are HEAVY. Each carton holds many parts and components. Some of these components eg., bolts and screws are relatively small* in size.**

*. During the assembly process, ensure that any misplaced bolts and nuts are picked up so that Children and or Pets do not play or ingest these.

***. During the assembly process, ensure that any misplaced bolts and nuts are picked up so that Children and or Pets do not play or ingest these.**

7.) This Bed is intended for ADULT USE ONLY.

8.) This Bed is delivered to you pre-packed with Hardware - suitable for wood-framed walls renovated with WOOD STUDS ONLY.

9.) Your Home's Wall Type - Every home is renovated differently with different wall(s) type / finishes. Before you proceed to assemble your Bed :

a.) **SEEK and CONSULT Professional Services** to ascertain the wall type in the designated location where you intend to attach the Bed;

b.) **ENSURE** the Consultant-Contractor specifically **INFORMS** you of the **WALL TYPE** in the designated spot where you intend to attach the Bed.

c.) **ENSURE** the Consultant **INFORMS** you specifically on the matching and relevant Hardware / Brackets to secure and attach the Bed to the wall.

10.) WARNING – YOU MUST HEED THE INSTRUCTIONS given by your appointed Consultant-Contractor on the :

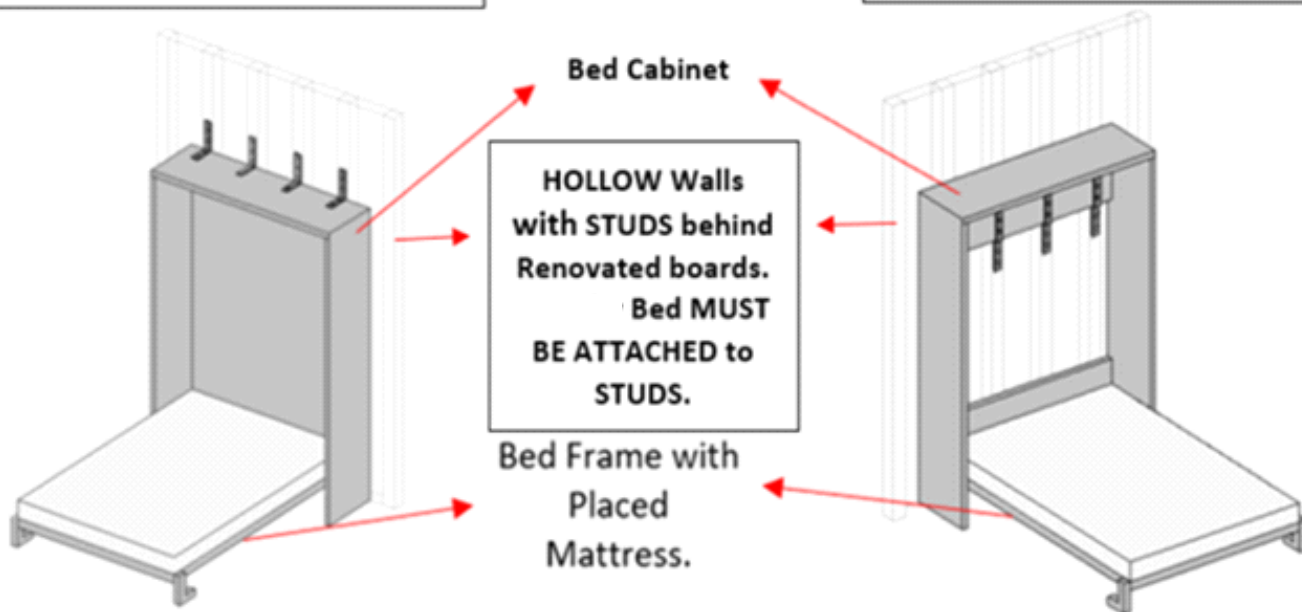
a.) Mounting Hardware Type that suits the wall(s) type - where / when it is NOT WOOD STUDS, the **pre-packed Screws for Wood Stud Walls would not match/ not fit.**

b.) Number of Mounting Points for the Bed to the Wall.

CAUTION : Homes are renovated differently. There are CONCRETE walls and "hollow walls". Hollow walls are reinforced with STUDS of Wooden or Steel Materials. Seek advice from professionals.

Style A - VERTICAL Bed with SEALED/CLOSED Back board.

Style B - VERTICAL Bed with OPEN STYLE Back board.



11.) This Bed is designed for home use and not intended for commercial use.

12.) This Bed is not intended to be moved, modified, uninstalled or disassembled once professionally installed.

D. MOUNTING INFO & HARDWARE.

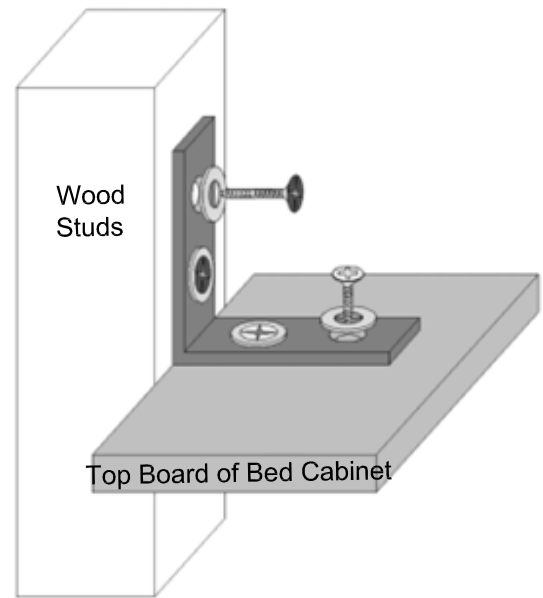
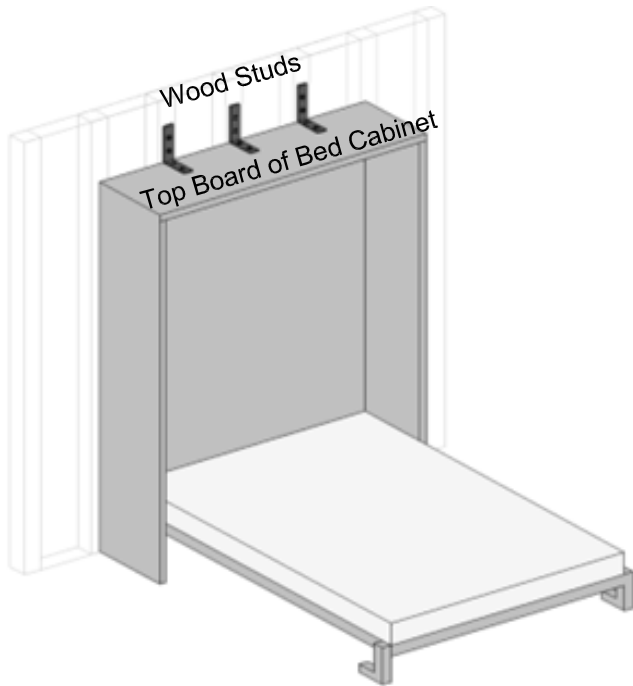
1.) REMINDERS :

- a.) In the event, that this pre-packed Screws Set does not match to the walls in your home – **DO NOT USE / DISCARD** these hardware.
- b.) **ADHERE** to the Professional Consultant-Contractor instructions and information on the **RELEVANT** mounting hardware that suits your wall.
- c.) Procurement of these **RELEVANT** hardware is an arrangement made between your Consultant-Contractor and you.

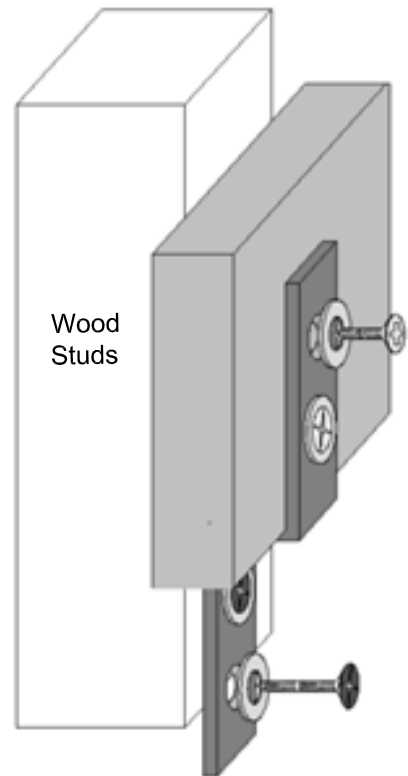
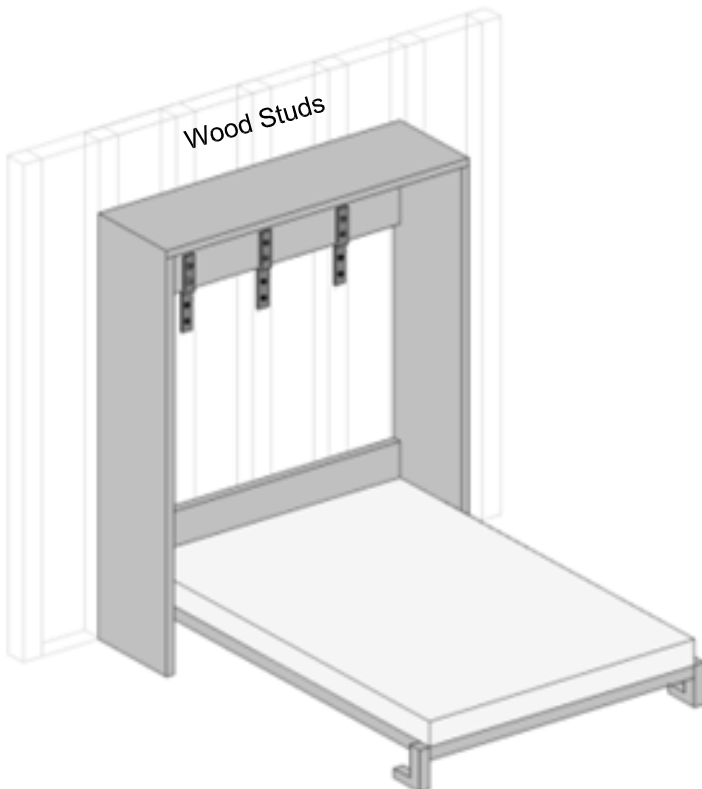
2.) A step ladder (not provided) is needed to attach the L-Brackets to the wall, at the Top of the Bed. **DO NOT** lean against the Top of the Bed, it may cause sagging.

L-Bracket Fixture to Wood Studs

Bed Style A



Z-Bracket Fixture to Wood Studs



E. IDENTIFICATION of TOOLS and ATTACHMENT SKILL.

The parts and components to assemble the Bed Frame are stated in the Assembly Instructions. Follow the instructions with attention.

For an efficient assembly, after opening the cartons shipped to you :

- a.) open and layout all parts and components in sequence;
- b.) account for every part, hardware and component;
- c.) then lay out the parts close to each other;

Assemble and tighten each bolt / nut / screw up to 80% to allow for the Bed Frame and Bed Cabinet to be HELD together.

Upon FINAL assembly where all the parts and components are FITTED precisely, in a sequential manner – proceed to tighten each bolt & nut & screw gradually.

CAUTION :

- 1.) **The METAL PLATES to the sides of the Side Rails – MUST BE FULLY and SECURELY TIED to the SIDE RAILS.**
- 2.) **The Piston L-Brackets that are attached to the INNER WALL of the Bed Cabinet – MUST BE FULLY and SECURELY TIED to these Inner Walls.**
- 3.) **These Metal Plates and the L-Brackets – are the components that are holding the Pistons that allow your Bed to “travel” to an OPEN or CLOSED position.**
- 4.) **Frequent Inspections of these Metal Plates / Brackets and Pistons Bolts, up to Once a Month – to ascertain these DO NOT BECOME LOOSE. For if these bolts to the Bed Frame and or Bed Cabinet or Pistons are loose, may cause the BED FRAME to become DISLODGED and cause injuries.**

REMINDER : NEVER FULLY TIGHTEN any screw / nut or bolt in one session. If you DO TIGHTEN the hardware all the way into the core of the wood, this cause the parts to become skewed that would impact other parts of the item not being able to be aligned to its mounting points for assembly.

F. ALLASSEMBLY WORKS REQUIRES A TEAM OF NO LESS THAN 4 ADULTS.

Reminder : Per above info, the cartons and products are heavy – therefore exercise CAUTION at all times and ENSURE YOUR TEAM OF 4 for the entire ASSEMBLY.

G. ASSEMBLY of BED FRAME.

Identify all parts and components for the Bed Frame.
Assemble the Bed Frame according to the Assembly Instructions.

Upon completion of assembly of the Bed Frame, make a final inspection that all joints and parts are fully and securely attached.

Then place this assembled Bed Frame horizontally flat on the ground, some 10feet away, so as to allow room for the assembly of the Bed Cabinet.

H. ASSEMBLY OF BED CABINET.

Identify all parts and components for the Bed Cabinet.
Assemble the Bed Cabinet according to the Assembly Instructions.

Upon the completion assembly of the Bed Cabinet, make a final inspection that all joints and parts are fully and securely attached.

CLEAR all debris in the area where your Bed is going to be attached to the wall.

Move this **FULLY ASSEMBLED BED CABINET** and position this **BED CABINET** some 2feet to 3 feet away from the designated Wall, where you have previously made markings.

SAFETY REMINDER – The Cabinet is NOT ATTACHED TO THE WALL, YET. From here on - YOU MUST HAVE 2 ADULT to HOLD and STABILISE this BED CABINET, to prevent the Bed Cabinet from TIPPING OVER.

I. ATTACHMENT OF BED FRAME TO BED CABINET.

Safety Reminder : DO ENSURE the 2 adult persons holding the Bed Cabinet is IN POSITION ALL THE TIME.

The other 2 adults shall lift and carry the Bed Frame and attach to the L-Bracket – at the inner walls of the Bed Cabinet.

Thereafter, gently LIFT THE Bed Frame to a CLOSED POSITION.

J. ATTACHMENT OF PISTONS TO HOLD & SUPPORT BED CABINET TO BED FRAME.

The Bed, is now still placed at 2feet to 3feet, from the wall.

The 2 adults, upon attachment the Bed Frame to the Bed Cabinet, shall get the Pistons, and move to the back of the Bed. Both persons shall - then attach the Pistons to the Bed Frame and Bed Cabinet.

You may need to – LIGHTLY slide forward-backward to adjust and create gap space so as to enable the Pistons to be hooked to both ends of the hanging bolts in the Inner Wall of the L-BRACKET

Fully Secure and Tighten these Bolts at each end of the Pistons.

K. Attachment of Safety Latches.

Upon completion of Step I above, ensure the entire structure of Bed Frame to Cabinet is fully and securely attached as ONE UNIT – affix the Safety Latches.

These Latches are to be reachable by Adults Only. Thus, the minimum height shall be no less than 5feet (1.5m) from ground.

L. POSITIONING THE BED INTO ITS FINAL POSITION.

At this juncture, the Bed is ASSEMBLED BUT NOT AS A FULL & COMPLETE piece of furniture AND NOT FUNCTIONAL AS A BED YET, as it is NOT SECURED TO THE WALL.

DO NOT ATTEMPT TO OPEN THE BED AND OR TEST SLEEP AND OR LIE INTO the Bed.

ALL 4 (four) adults shall now move the entire Bed to the FINAL DESIGNATED Position, matching to the previously marked “SCREW-IN” positions in the walls.

M. ATTACHMENT OF BED TO WALL.

With the Bed now in its final designated spot, 2 adult persons shall continue to hold down the entire Bed.

REMINDER : FOLLOW the INSTRUCTIONS from your Professional Consultant / Contractor.

Position the Ladder (where necessary) and FULLY & SECURELY turn in the BOLTS or SCREWS into the CONCRETE WALL or WOODEN STUDS or STEEL STUDS.

SEQ	Bed Description	Bed Size	Details.
1	Single/Twin(XL)	~38*75/80~ inches	Attach at least 2 pieces of L or Z Hardware onto the Wall or Studs;
2	Full	54*75inches	Install at least 3 pieces of L or Z Hardware onto the Wall or Studs;
3	Queen	60*80inches	Install at least 3 pieces of L or Z Hardware onto the Wall or Studs;
4	King	76*80inches	Install at least 4 pieces of L or Z Hardware onto the Wall or Studs;
5	Other Bed Size		Other Bed Sizes - seek advice from your Contractor

Recommended Mattress weight (39) lbs or (18)kg / Recommended Mattress thickness (5 - 8) inches or (12.7 - 20.3) cm - Your Bed is made having taken into consideration the Bed Frame Weight and Mattress weight to pair with the Pistons Newton Force.

Therefore, load your bed with the RECOMMENDED MATTRESS Weights, Size and Thickness as stated here in the assembly instructions.

DO NOT LOAD any heavier and or LARGER and or LIGHTER Mattress than what is recommended here.

N. PISTON NEWTON-LOAD STRENGTH.

You are hereby reminded that when the BED FRAME is EMPTY OF MATTRESS, the Bed Frame may NEED a STRONGER force to be pulled down before you can place the Mattress.

This RESISTANCE to be PULLED DOWN is a normal characteristics of the Pistons Newton-Load force is “in action”.

O. BED STRAP – GUIDE STRAP

Your Bed may or may not come equipped with a Bed Strap.

This Bed Strap serves as a GUIDE STRAP to help you lift the Bed Frame some 6 inches or so off its resting position. Then use both hands to FULLY LIFT HOIST the Bed Frame to its closing position.

SAFETY REMINDER :

- 1.) DO NOT USE THE BED STRAP to PULL DOWN TO OPEN the BED FRAME from its CLOSED POSITION.**
- 2.) DO NOT USE THE BED STRAP to PULL-LIFT-HOIST the BED FRAME from the OPENED-HORIZONTAL position, to the CLOSED POSITION.**

Both the above may cause injury and or unnecessary strain to your arm(s).

P. USING YOUR BED.

For EVERY USE – exercising Safety Precautionary Measures to ensure the safety of your family members and pets are IMPORTANT.

Therefore, PRIOR TO OPENING / PRIOR TO CLOSING OF YOUR BED - Make sure all Children / Non Ambulatory Persons and Pets are at bay.

KEEP CHILDREN and NON-AMBULATORY persons from Unlatching the Safety Latches.

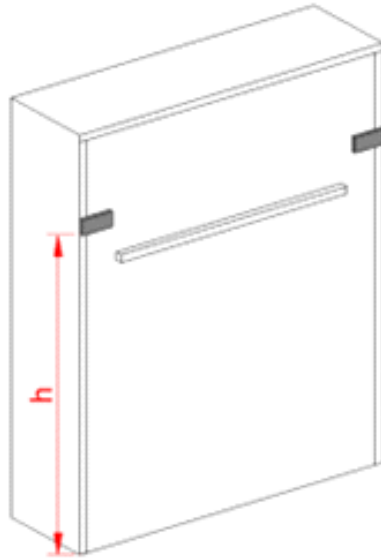
Q. CAUTION : DO NOT BE DISTRACTED During EVERY OPENING and CLOSING of your Bed.

Every time you Pull to **OPEN** the Bed from its closed position OR **Lift-Pull to CLOSE** the Bed to stow it into the Bed Cabinet -

- Give these actions your focused and dedicated attention.
- **DURING EVERY OPENING and CLOSING of your Bed** - always ensure you have an Adult Partner close by for added assistance, where necessary.
- **DO NOT OVER EXERT ADDED FORCE to OPEN the Bed or to CLOSE the Bedframe.** For if you do, the resistance of the Piston will only make it harder for you to complete the task.
- **TO CLOSE the Bed :** depending on your height – stand some 6inches to 10inches away from the FootBoard edge. Use both your hands and place both hands at about equal distance from the middle of the Bed Frame, spaced at 2 to 3 feet between your hands - **GENTLY LIFT-PULL** to Close your Bed.
- **TO OPEN the Bed :** using equal force – **place your hands to the installed grab handle** and **GENTLY PULL** towards you to Open. **As you pull Open the Bed – proceed to move backwards, slowly and steadily, so as to give way to the Bed’s OPEN Position.**

- During **EVERY OPENING** or **CLOSING** of the Bed - at about your hip level - you may find that you need to rotate your hand / wrist - take caution here to prevent injury.
- During **EVERY OPENING** and **CLOSING**, keep Children and Pets and Non Ambulatory Persons at bay.
- **NEVER** allow your children to treat this Bed as a Hide and Seek place of fun or jump on the bed.
- **Care & Maintenance** - Depending on the frequency of use of your Bed, it is recommended that you take precautionary Care and Maintenance. It is advisable to conduct **NO LESS THAN 2 to 3** checks annually on these mounting points & pistons to ensure that these are securely bolted. Where necessary, use a vacuum cleaner to clear all dust and then wipe down with a damp cloth, then proceed with your maintenance work.

Safety Latches - Your Bed comes with two (2) Safety Latches. These are to be attached at, both the **TOP LEFT** and **TOP RIGHT** hand upper portion, **minimum of 5 feet (1.5m) from ground**, of the Bed Frame / Bed Cabinet. Monitor and Inspect these frequently.



- Whenever **NOT** in use and after the Bed has been **LIFTED** and stowed in its **CLOSED POSITION** - **ALWAYS LATCH UP**.

Frequently Asked Questions. Malfunctioned Pistons.

How do you know when the Bed's Piston has malfunctioned?

It would be quite evident in that :

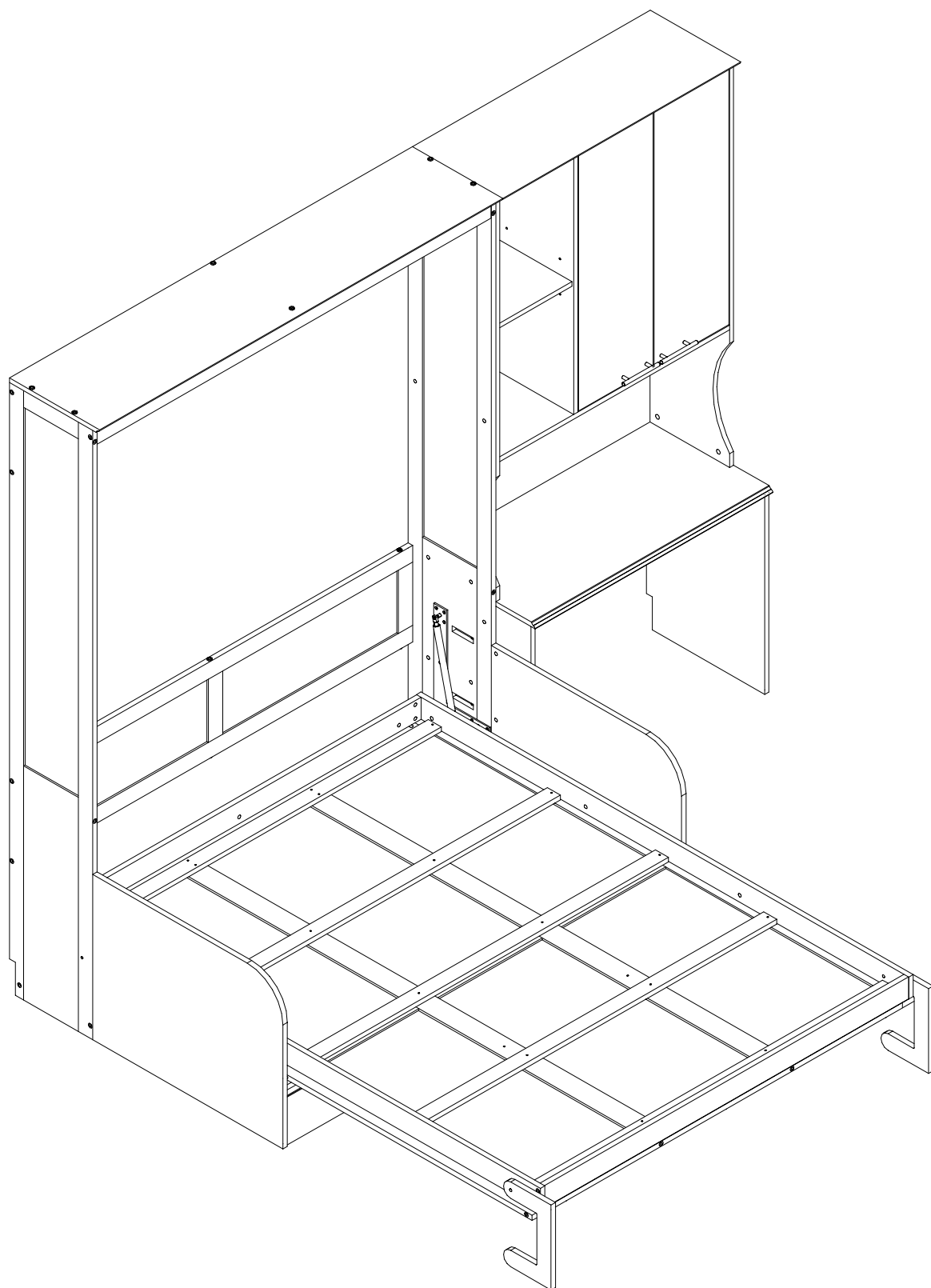
- a.) the **Bed Frame** may become **LOPSIDED** and
- b.) the **Lift-PULL** force to **CLOSE** may be "heavier" than before.

IMMEDIATELY - STOP USING YOUR BED.

SEEK and CONSULT professional maintenance service to ascertain the problem and repair and or have the pistons changed.

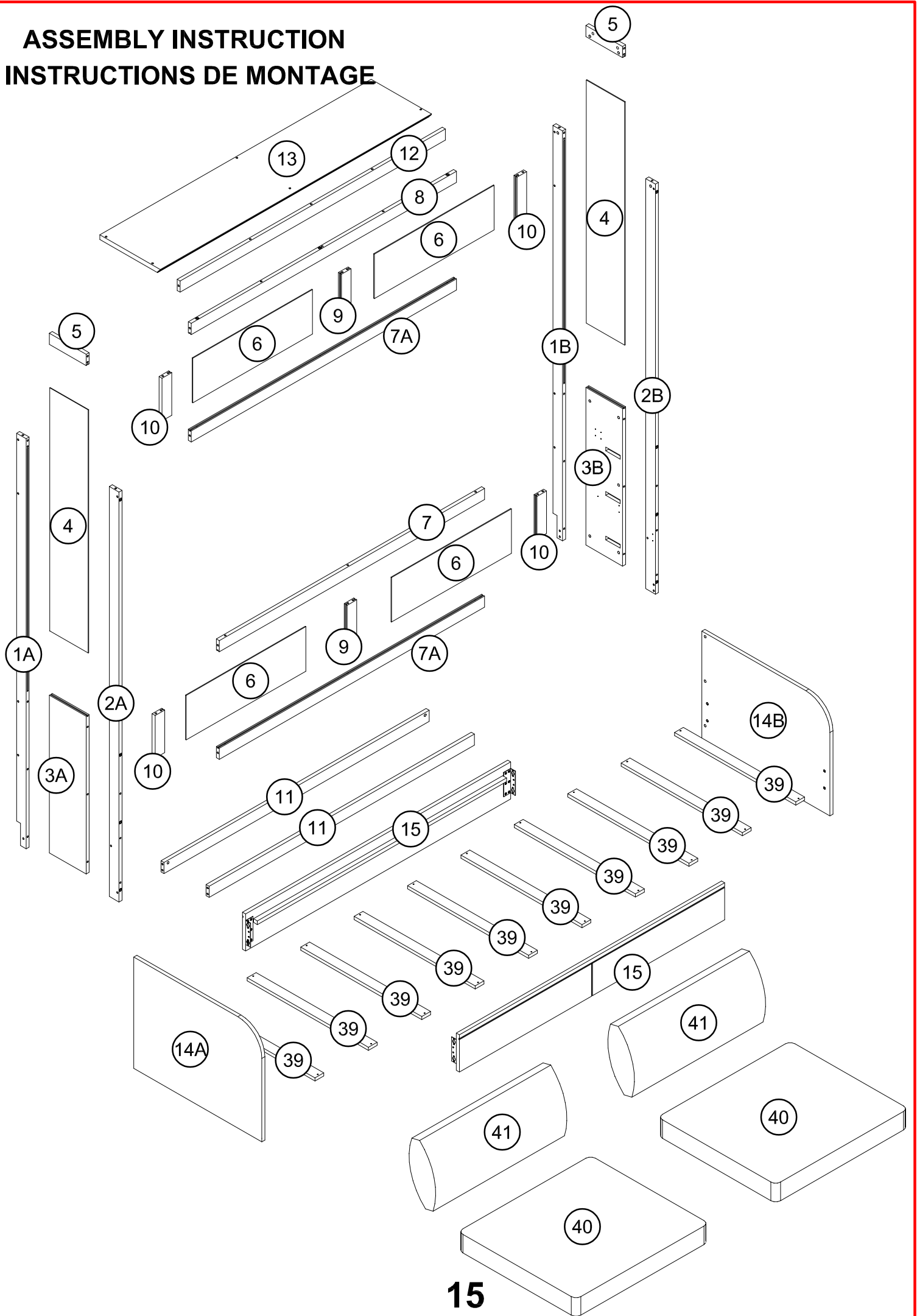
ASSEMBLY INSTRUCTION

INSTRUCTIONS DE MONTAGE



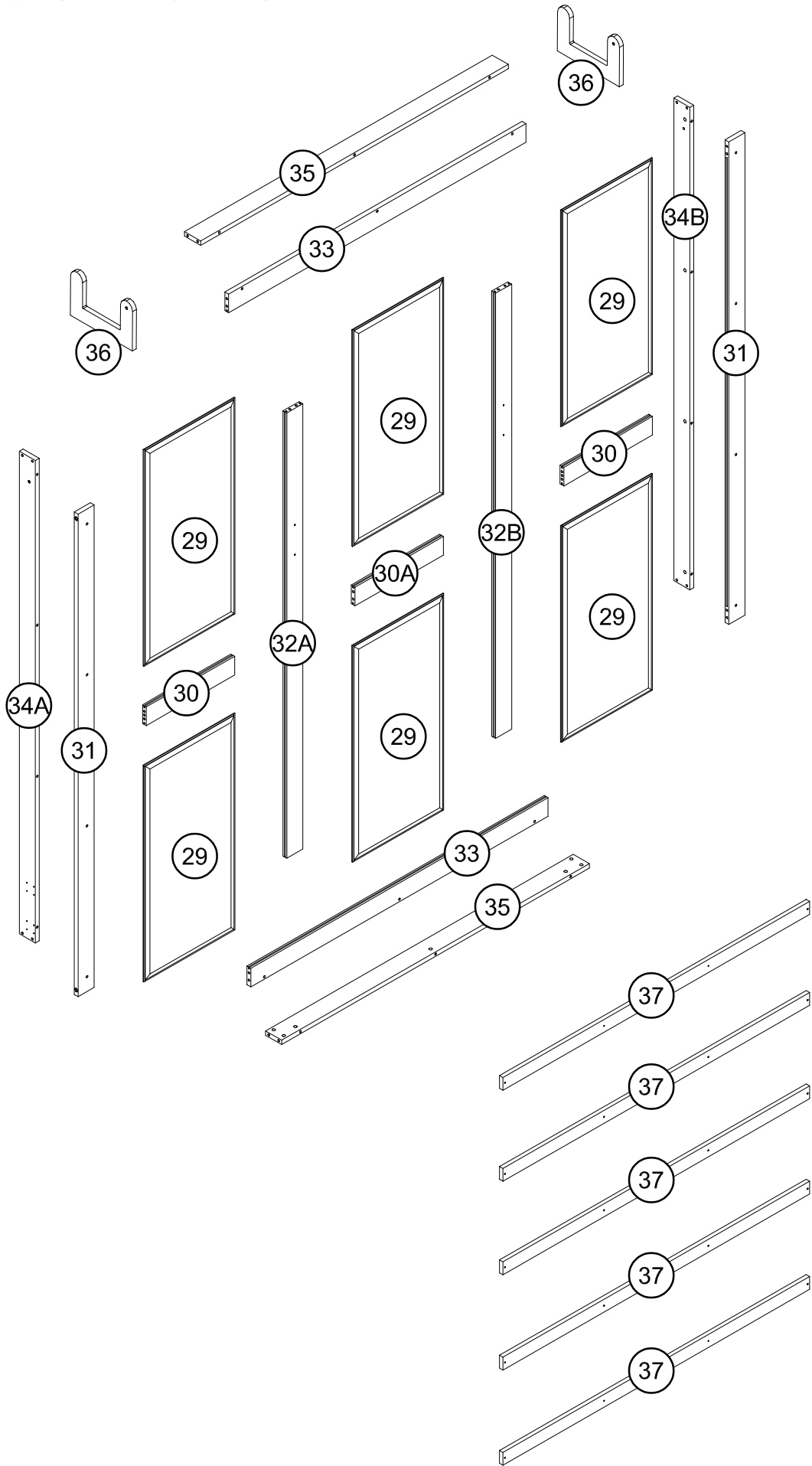
ASSEMBLY INSTRUCTION

INSTRUCTIONS DE MONTAGE



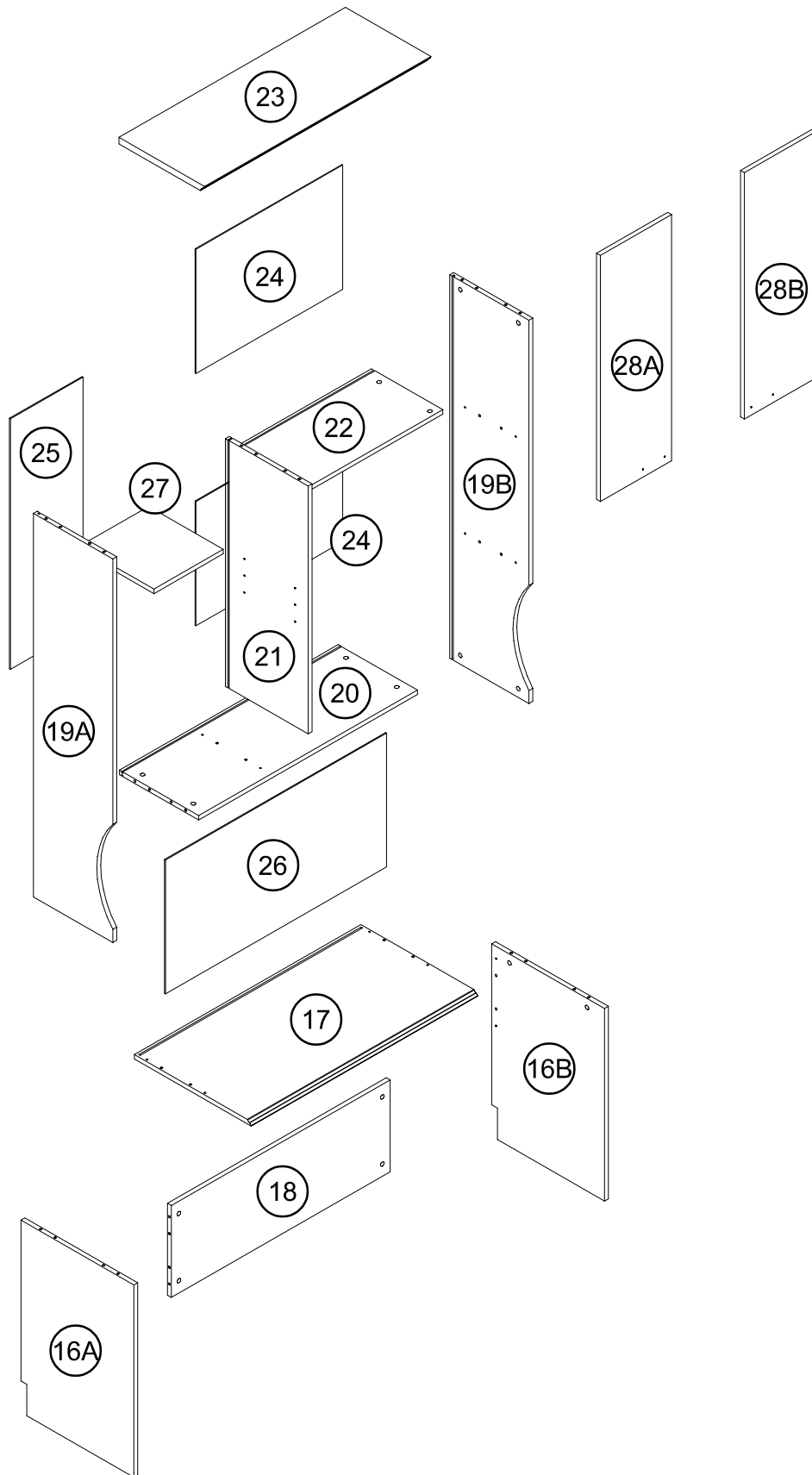
ASSEMBLY INSTRUCTION

INSTRUCTIONS DE MONTAGE



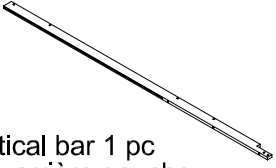
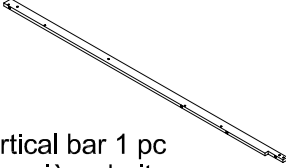
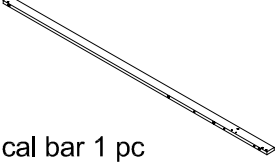
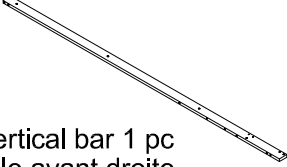
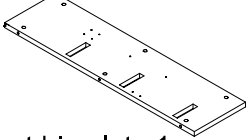
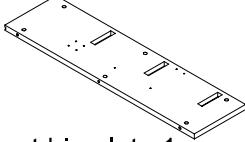
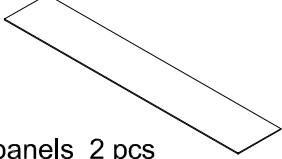
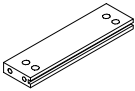
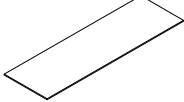
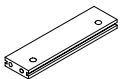
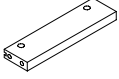
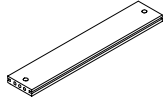
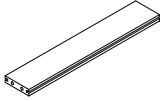
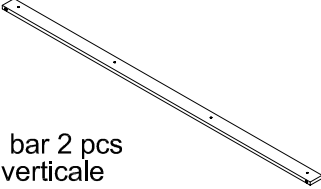

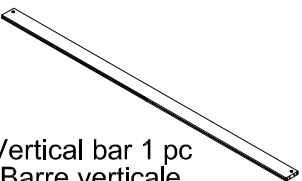
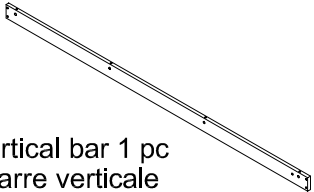
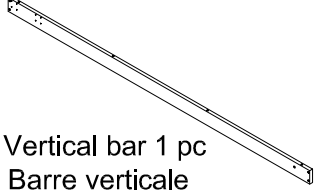
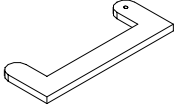
ASSEMBLY INSTRUCTION

INSTRUCTIONS DE MONTAGE



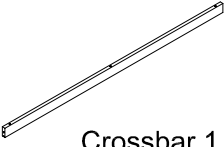
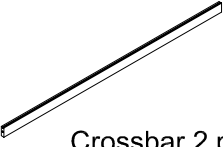
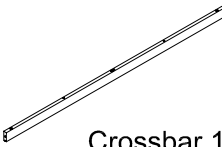


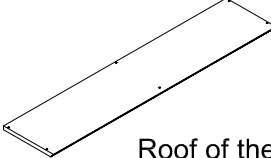
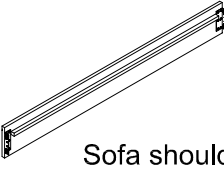
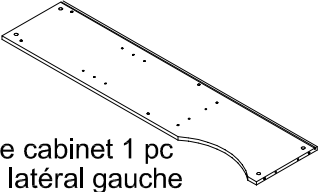
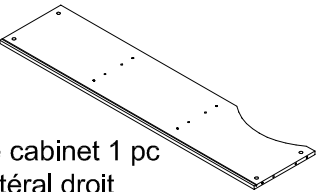
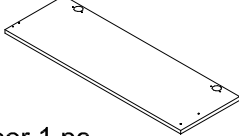
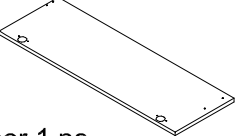
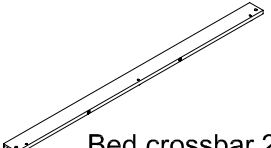
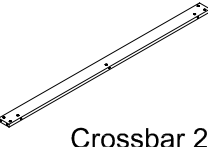
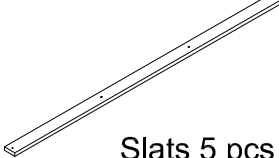
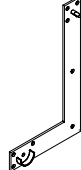
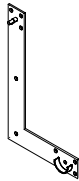

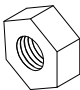
Part List

Liste des pièces

<p>1A</p>  <p>Left rear vertical bar 1 pc Barre verticale arrière gauche</p>	<p>1B</p>  <p>Right rear vertical bar 1 pc Barre verticale arrière droite</p>	<p>2A</p>  <p>Left front vertical bar 1 pc Barre verticale avant gauche</p>
<p>2B</p>  <p>Right front vertical bar 1 pc Barre verticale avant droite</p>	<p>3A</p>  <p>Short hip plate 1 pc Plaque de hanche courte</p>	<p>3B</p>  <p>Short hip plate 1 pc Plaque de hanche courte</p>
<p>4</p>  <p>Bedside panels 2 pcs Panneaux de chevet</p>	<p>5</p>  <p>Short bar 2 pcs Barre courte</p>	<p>6</p>  <p>Shelf Back Panels 4 pcs Panneaux arrière d'étagère</p>
<p>9</p>  <p>Short bar 2 pcs Barre courte</p>	<p>10</p>  <p>Short bar 4 pcs Barre courte</p>	<p>30</p>  <p>Short bar 2 pcs Barre courte</p>
<p>30A</p>  <p>Short bar 1 pc Barre courte</p>	<p>31</p>  <p>Vertical bar 2 pcs Barre verticale</p>	<p>32A</p>  <p>Vertical bar 1 pc Barre verticale</p>
<p>32B</p>  <p>Vertical bar 1 pc Barre verticale</p>	<p>34A</p>  <p>Vertical bar 1 pc Barre verticale</p>	<p>34B</p>  <p>Vertical bar 1 pc Barre verticale</p>
<p>36</p>  <p>Rotating legs 2 pcs Pieds rotatifs</p>		

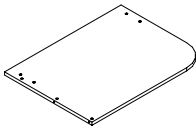
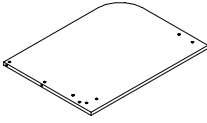
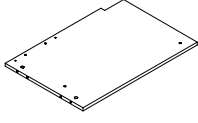
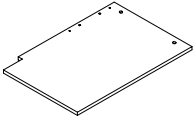
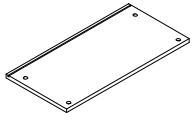
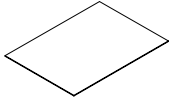
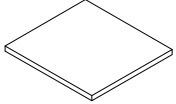
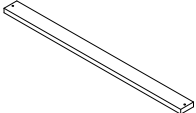
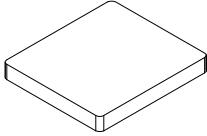
Part List

Liste des pièces

<p>7</p>  <p>Crossbar 1 pc Barre transversale</p>	<p>7A</p>  <p>Crossbar 2 pcs Barre transversale</p>	<p>8</p>  <p>Crossbar 1 pc Barre transversale</p>
<p>11</p>  <p>Crossbar 2 pcs Barre transversale</p>	<p>12</p>  <p>Crossbar 1 pc Barre transversale</p>	<p>13</p>  <p>Roof of the bed 1 pc Toit du lit</p>
<p>15</p>  <p>Sofa shoulders 2 pcs Épaules de canapé</p>	<p>19A</p>  <p>Left side cabinet 1 pc Meuble latéral gauche</p>	<p>19B</p>  <p>Right side cabinet 1 pc Meuble latéral droit</p>
<p>28A</p>  <p>Left side door 1 pc Porte latérale gauche</p>	<p>28B</p>  <p>Right side door 1 pc Porte latérale droite</p>	<p>33</p>  <p>Bed crossbar 2 pcs Barre transversale de lit</p>
<p>35</p>  <p>Crossbar 2 pcs Barre transversale</p>	<p>37</p>  <p>Slats 5 pcs Lattes</p>	<p>H</p>  <p>Left L 1 pc Gauche L</p>
<p>I</p>  <p>Right L 1 pc Droit L</p>	<p>M</p>  <p>Bracket Steel 2 Set Support en acier</p>	<p>Q</p>  <p>Nut 4 pcs Écrou</p>

Part List

Liste des pièces

<p>14A</p>  <p>Left sofa shoulder 1 pc Épaule gauche du canapé</p>	<p>14B</p>  <p>Right shoulder of sofa 1 pc Épaule droite du canapé</p>	<p>16A</p>  <p>Left side cabinet 1 pc Meuble latéral gauche</p>
<p>16B</p>  <p>Right side cabinet 1 pc Meuble latéral droit</p>	<p>22</p>  <p>Cabinet divider 1 pc Séparateur d'armoire</p>	<p>24</p>  <p>Cabinet back panel 2 pcs Panneau arrière d'armoire</p>
<p>27</p>  <p>Moving shelf 1 pc Étagère mobile</p>	<p>39</p>  <p>Slats 10 pcs Lattes</p>	<p>40</p>  <p>Seat cushion 2 pcs Coussin de siège</p>

Part List

Liste des pièces

17



Table top 1 pc
Plateau de table

18

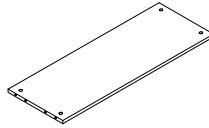
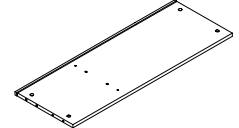


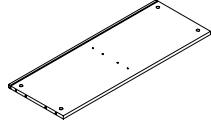
Table support plate 1 pc
Plaque de support de table

20



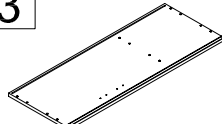
Cabinet divider 1 pc
Séparateur d'armoire

21



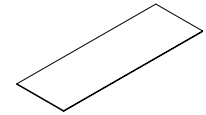
Cabinet divider 1 pc
Séparateur d'armoire

23



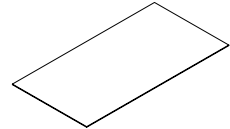
Top of cabinet 1 pc
Dessus de meuble

25



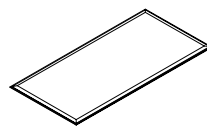
Cabinet back panel 1 pc
Panneau arrière d'armoire

26



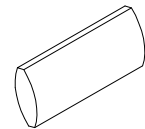
Cabinet back panel 1 pc
Panneau arrière d'armoire

29



Bed Panels 6 pcs
Panneau de lit

41



Back cushion 2 pcs
Coussin de dossier

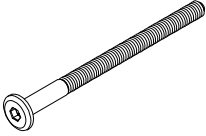
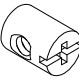
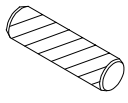
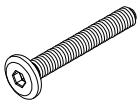
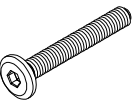
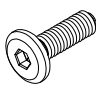
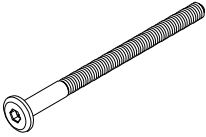

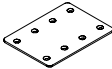
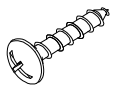

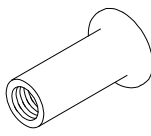
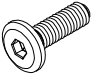
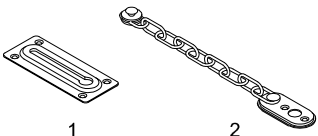
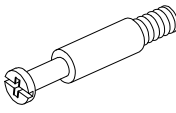

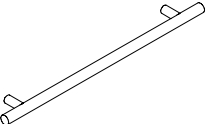

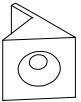

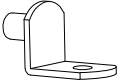
P

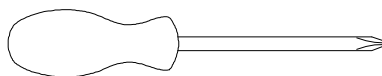


Piston 1000N 2 pcs
Piston 1000N

Hardware List

Liste du matériel

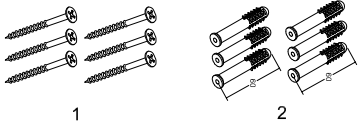
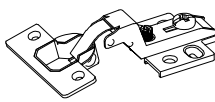


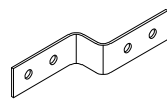
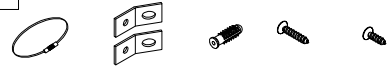
<p>A</p>  <p>1/4" x 90mm Hex-Head bolts 26 pcs Boulons à tête hexagonale 1/4" x 90mm</p>	<p>B</p>  <p>Ø11.5 x 15 mm Horizontal -Hole bolts 88 pcs Boulons à trou horizontal Ø11.5 x 15 mm</p>	<p>C</p>  <p>Ø8 x 30 mm Wood dowel 72 pcs Cheville en bois Ø8 x 30 mm</p>
<p>D</p>  <p>1/4" x 60mm Hex-Head bolts 2 pcs Boulons à tête hexagonale 1/4" x 60 mm</p>	<p>E</p>  <p>1/4" x 50mm Hex-Head bolts 42 pcs Boulons à tête hexagonale 1/4" x 50 mm</p>	<p>F</p>  <p>1/4" x 15 mm Hex-Head bolts 22 pcs Boulons à tête hexagonale 1/4" x 15 mm</p>
<p>G</p>  <p>1/4" x 100mm Hex-Head bolts 18 pcs Boulons à tête hexagonale 1/4" x 100mm</p>	<p>J</p>  <p>M4 x 20 mm Wood Screws 48 pcs Vis à bois M4 x 20 mm</p>	<p>K</p>  <p>Bracket 8 Holes 4 pcs Support 8 Trous 4 pcs</p>
<p>L</p>  <p>M3.5 x 15 mm Wood Screws 84 pcs Vis à bois M4 x 15 mm</p>	<p>N</p>  <p>Allen Key 2 pcs Clé Allen</p>	<p>R</p>  <p>1/4" x 30mm Steeve Nut 8 pcs Écrou Steeve 1/4" x 30 mm</p>
<p>S</p>  <p>1/4" x 25mm Hex-Head bolts 2 pcs Boulons à tête hexagonale 1/4" x 25 mm</p>	<p>T</p>  <p>1 2 Safety Chain 1 set Chaîne de sécurité</p>	<p>U</p>  <p>Cam Bolt 28 pcs Boulon à came</p>
<p>V</p>  <p>Cam Lock 12mm 28 pcs Serrure à came de 12 mm</p>	<p>W</p>  <p>Handles 4 pcs Poignées</p>	<p>X</p>  <p>M4 x 25 mm Truss Head Wood Screws 8 pcs M4 x 25 mm Vis à bois à tête de treillis</p>
<p>Y</p>  <p>Plastic Wedges 20 pcs Cales en plastique</p>	<p>Z</p>  <p>1 2 Magnets 2 set Aimant</p>	<p>A1</p>  <p>Shelf Pin 9mm 4 pcs Goupille d'étagère 9 mm</p>

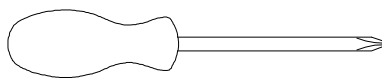


Assembly Tools Required (Not Included)
Outils d'assemblage requis (non inclus)

Hardware List

Liste du matériel


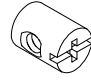
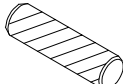

B1  <p>1 2</p> <p>Screws and plastic anchor 1set Vis et ancrage en plastique</p>	C1  <p>Hinge - 4 pcs Charnière</p>	D1  <p>M3 x 15 mm Wood Screws 4 pcs Vis à bois M3 x 15 mm</p>
E1  <p>M4 x 30 mm Wood Screws 40 pcs Vis à bois M4 x 30 mm</p>	F1  <p>Z Bracket 3 pcs Support en Z 3 pièces</p>	H1  <p>1 2 3 4 5</p> <p>Antifall 2 set Antichute</p>

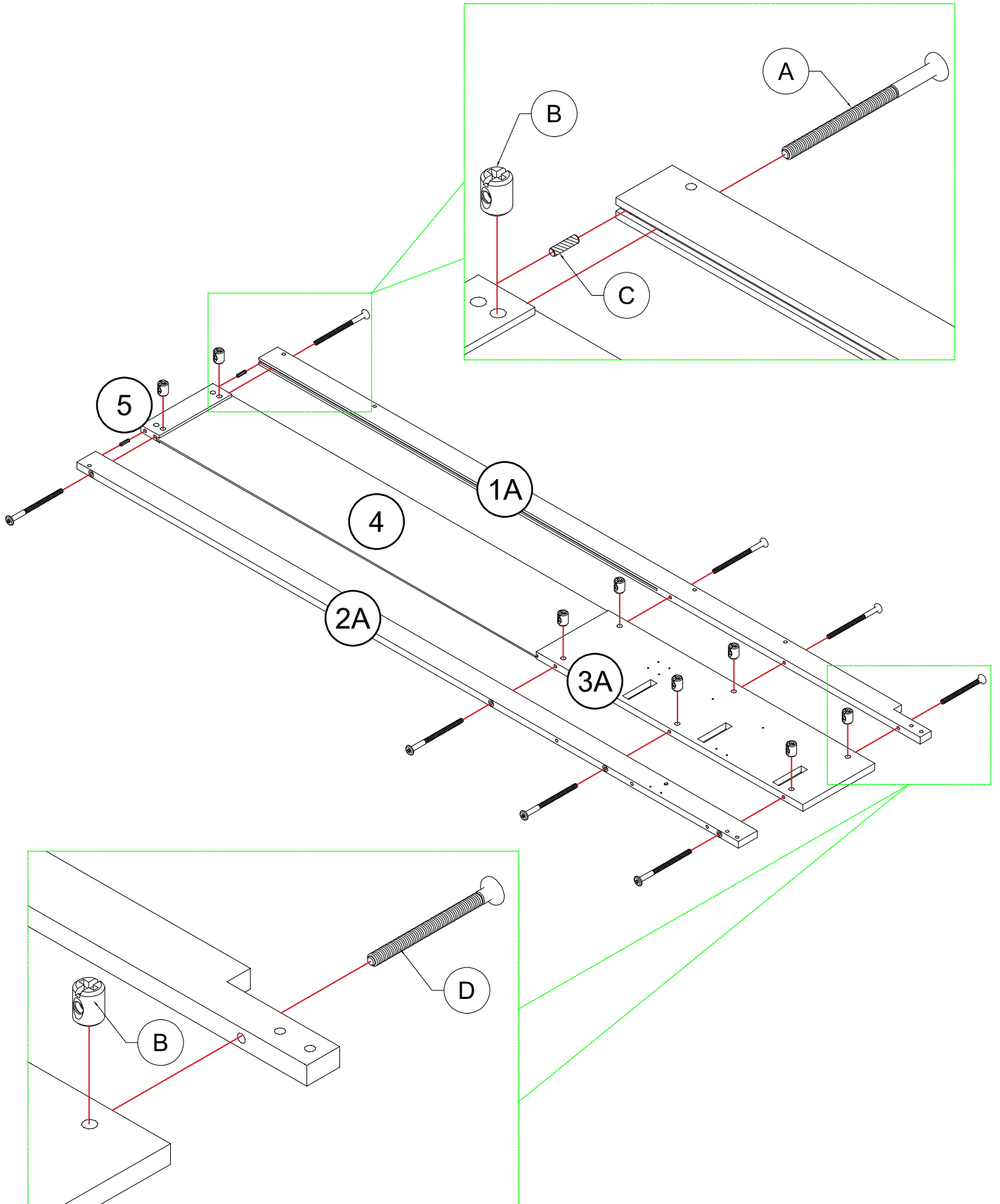


Assembly Tools Required (Not Included)
Outils d'assemblage requis (non inclus)

STEP 1: Following below illustration:


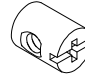
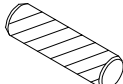

ÉTAPE 1: Illustration ci-dessous :

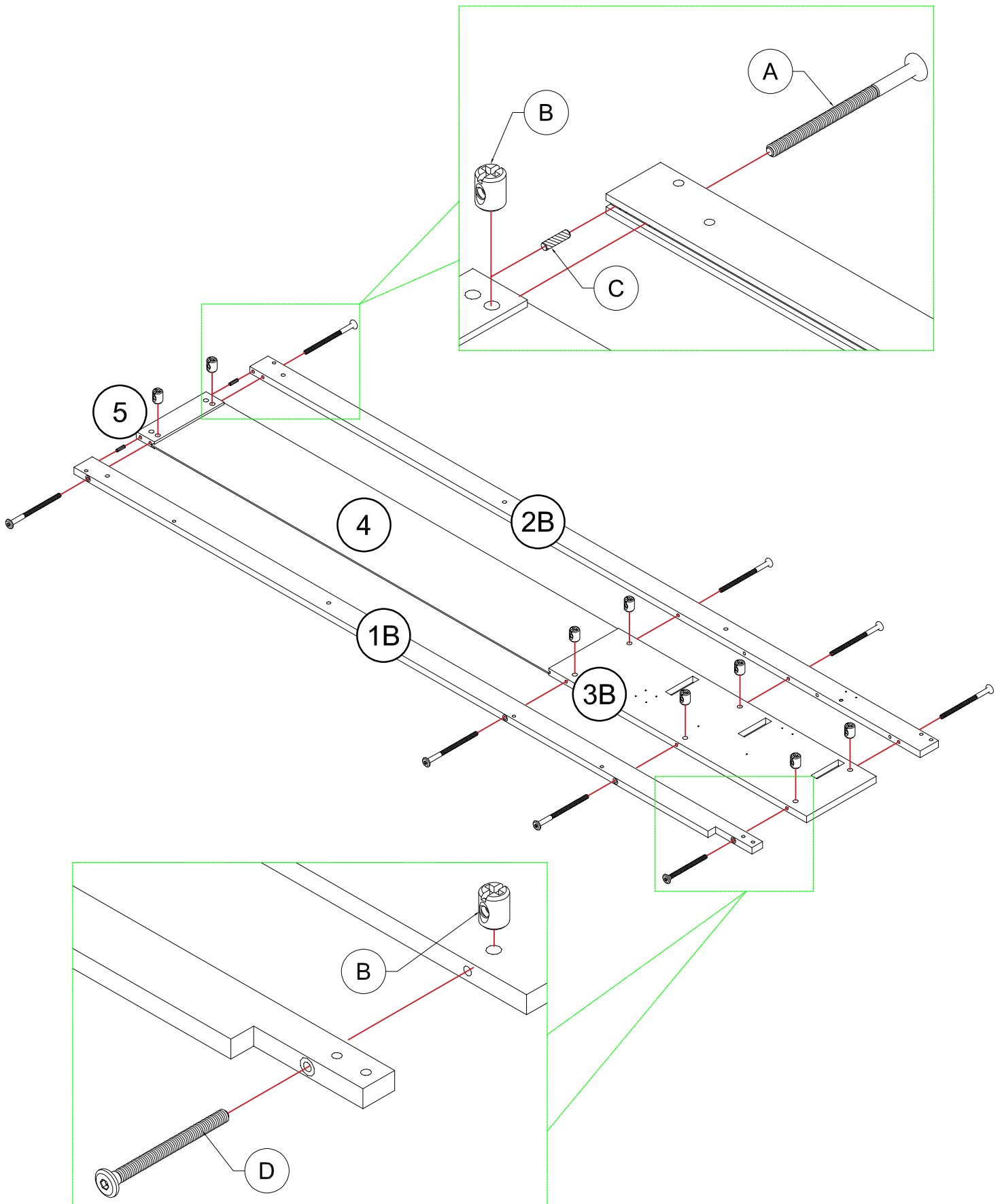
A 	B 	C 	D 
7pcs	8pcs	2pcs	1pc



STEP 2: Following below illustration:


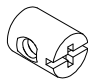
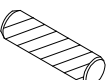
ÉTAPE 2: Illustration ci-dessous :

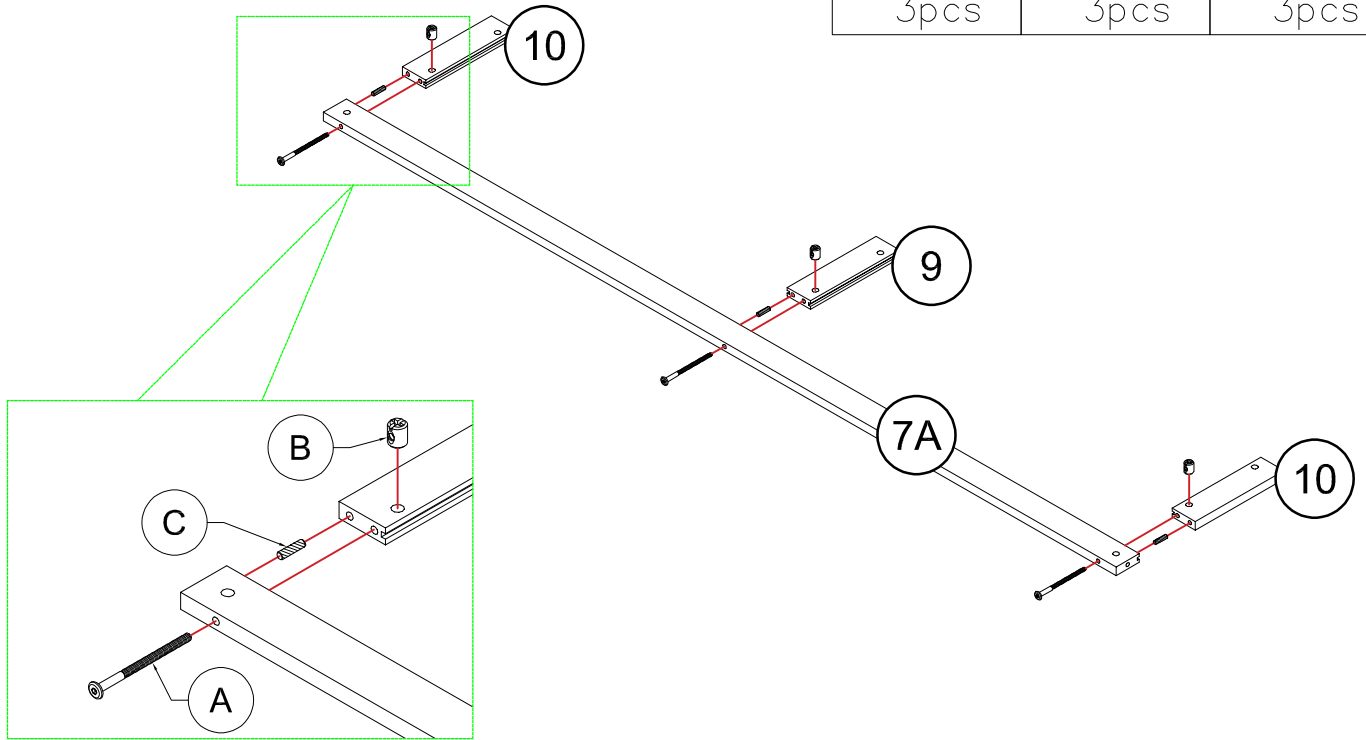
A 	B 	C 	D 
7pcs	8pcs	2pcs	1pc



STEP 3: Following below illustration:



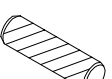
ÉTAPE 3: Illustration ci-dessous :

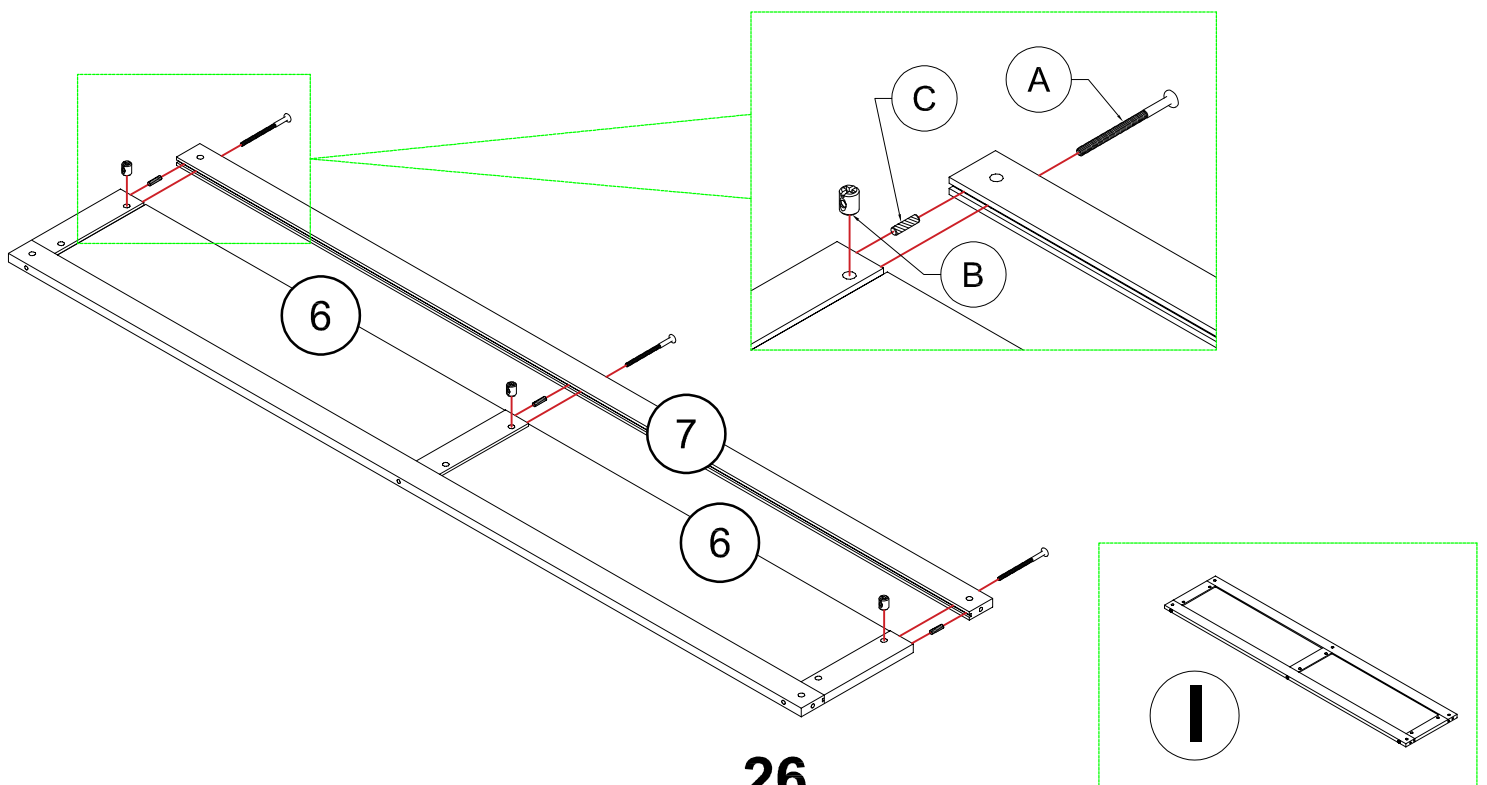
A	B	C
		
3pcs	3pcs	3pcs



STEP 4: Following below illustration:


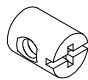
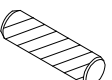
ÉTAPE 4: Suivant l'illustration ci-dessous :

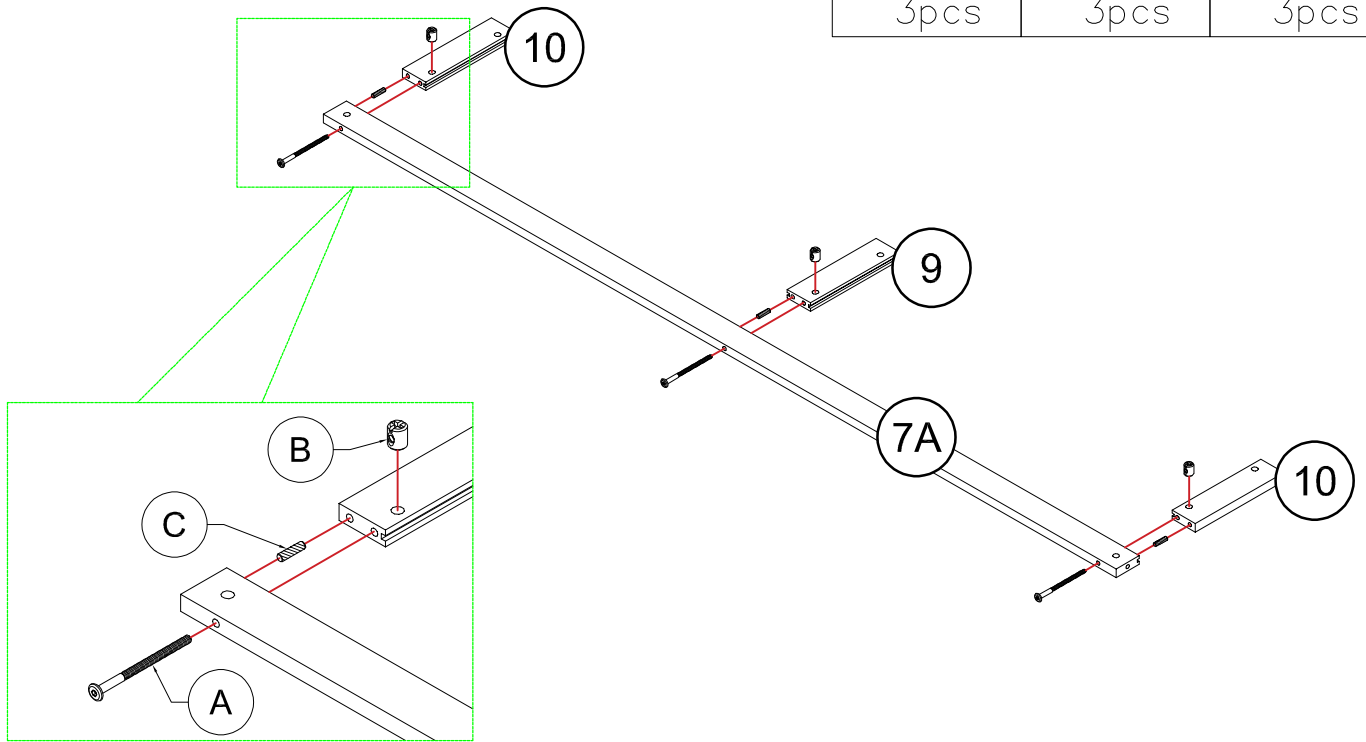
A	B	C
		
3pcs	3pcs	3pcs



STEP 5: Following below illustration:



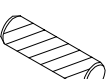
ÉTAPE 5: Illustration ci-dessous :

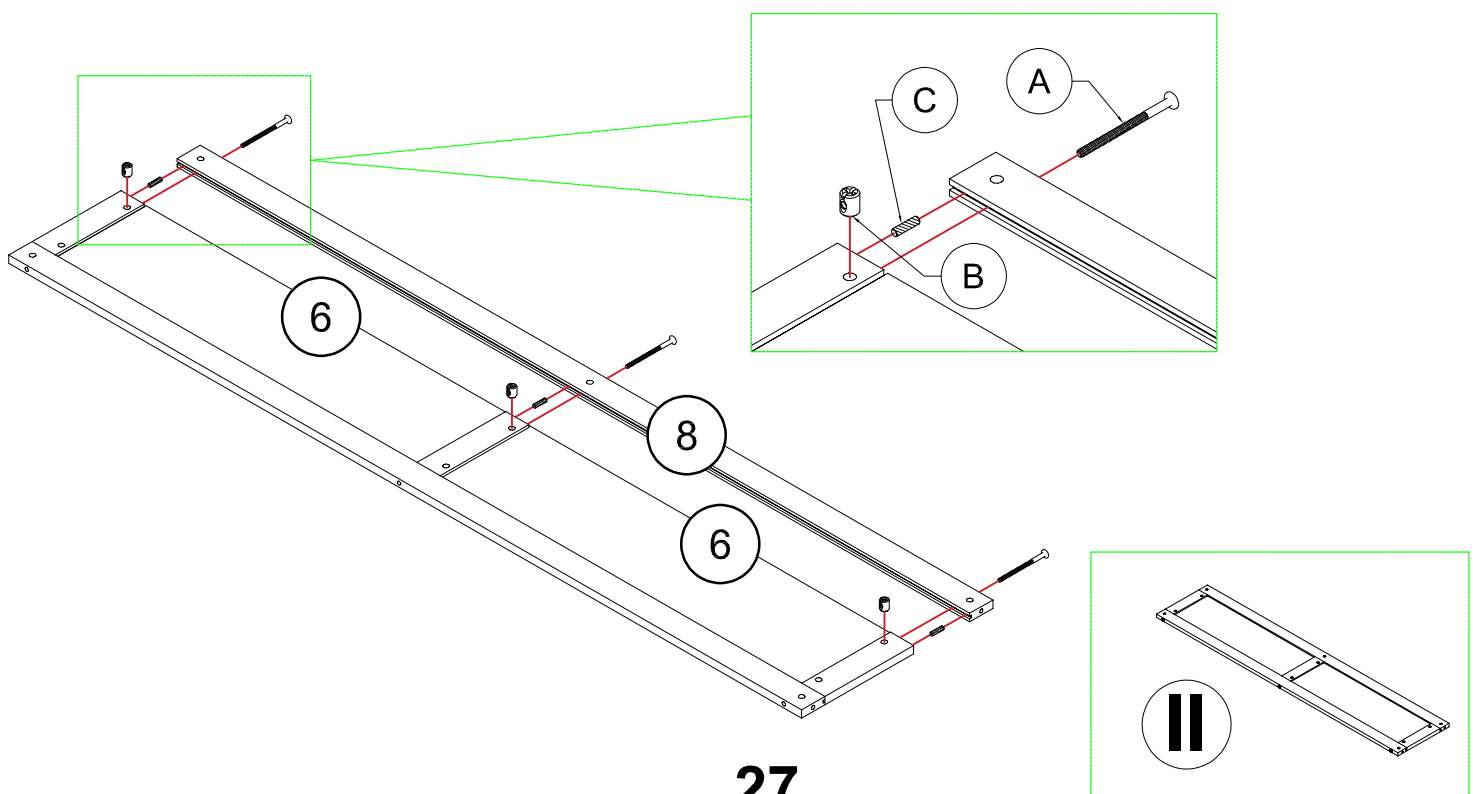
A	B	C
		
3pcs	3pcs	3pcs



STEP 6: Following below illustration:

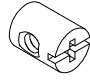
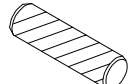

ÉTAPE 6: Suivant l'illustration ci-dessous :

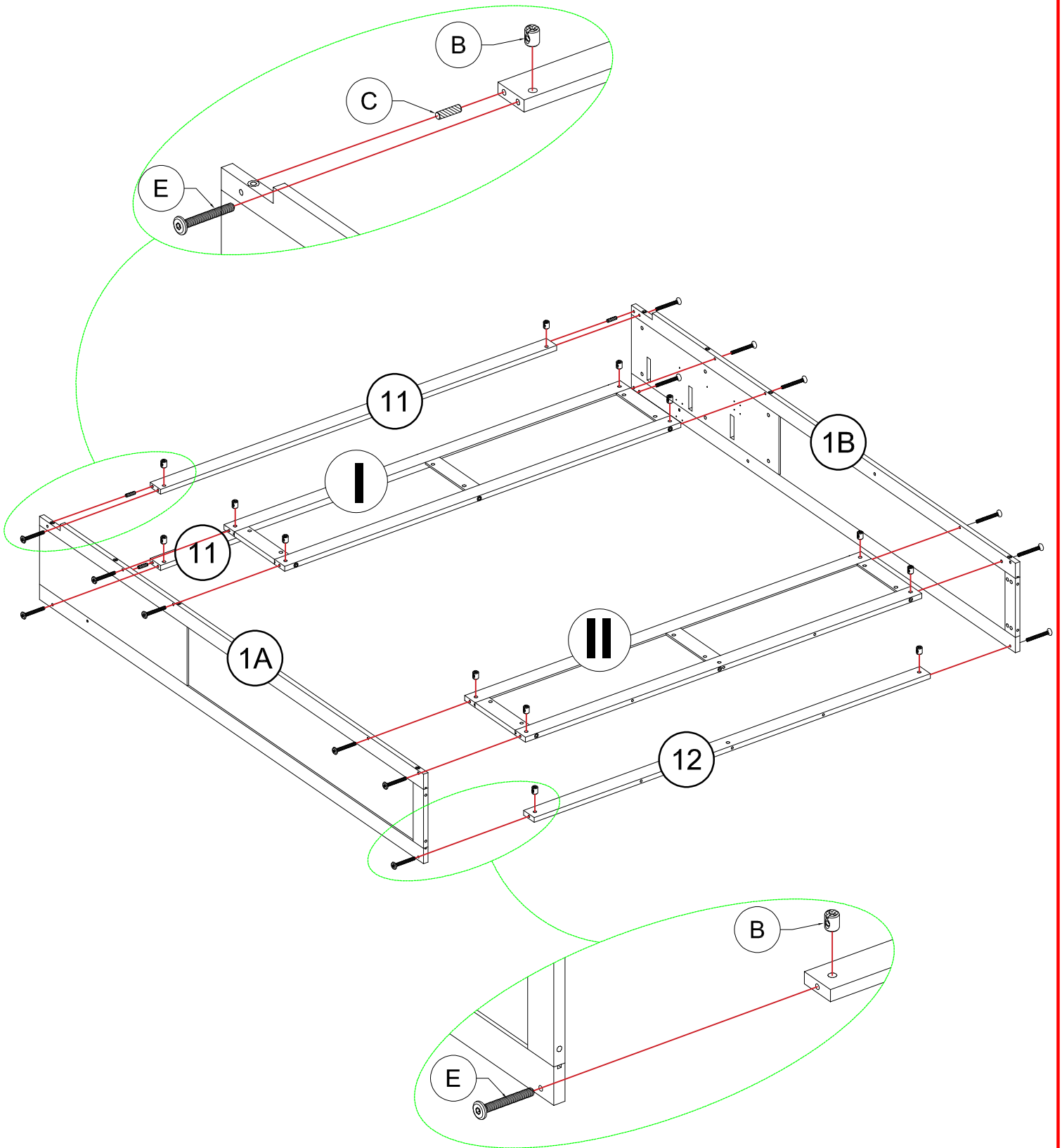
A	B	C
		
3pcs	3pcs	3pcs



STEP 7: Following below illustration:

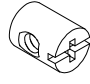
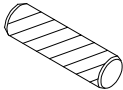

ÉTAPE 7: Illustration ci-dessous :

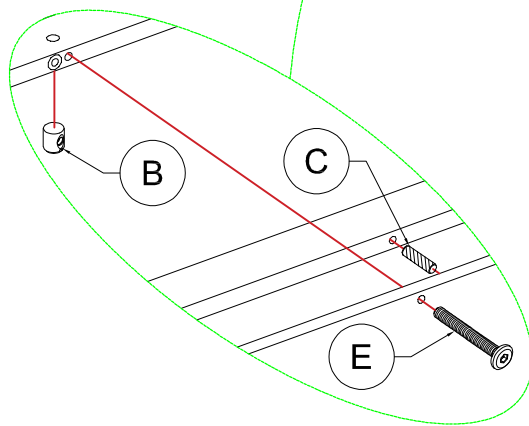
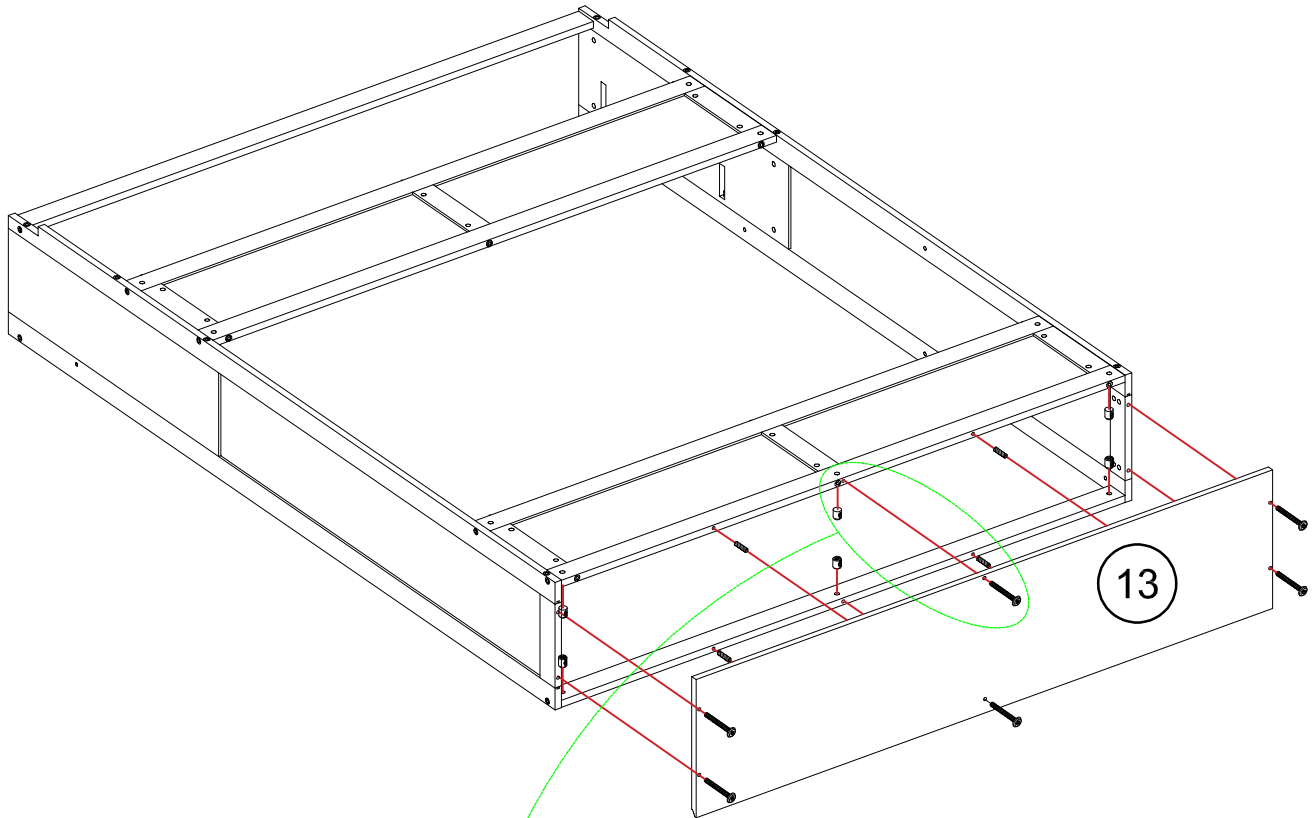
B 	C 	E 
14pcs	4pcs	14pcs



STEP 8: Following below illustration:

ÉTAPE 8: Illustration ci-dessous :

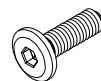
B 	C 	E 
6pcs	4pcs	6pcs



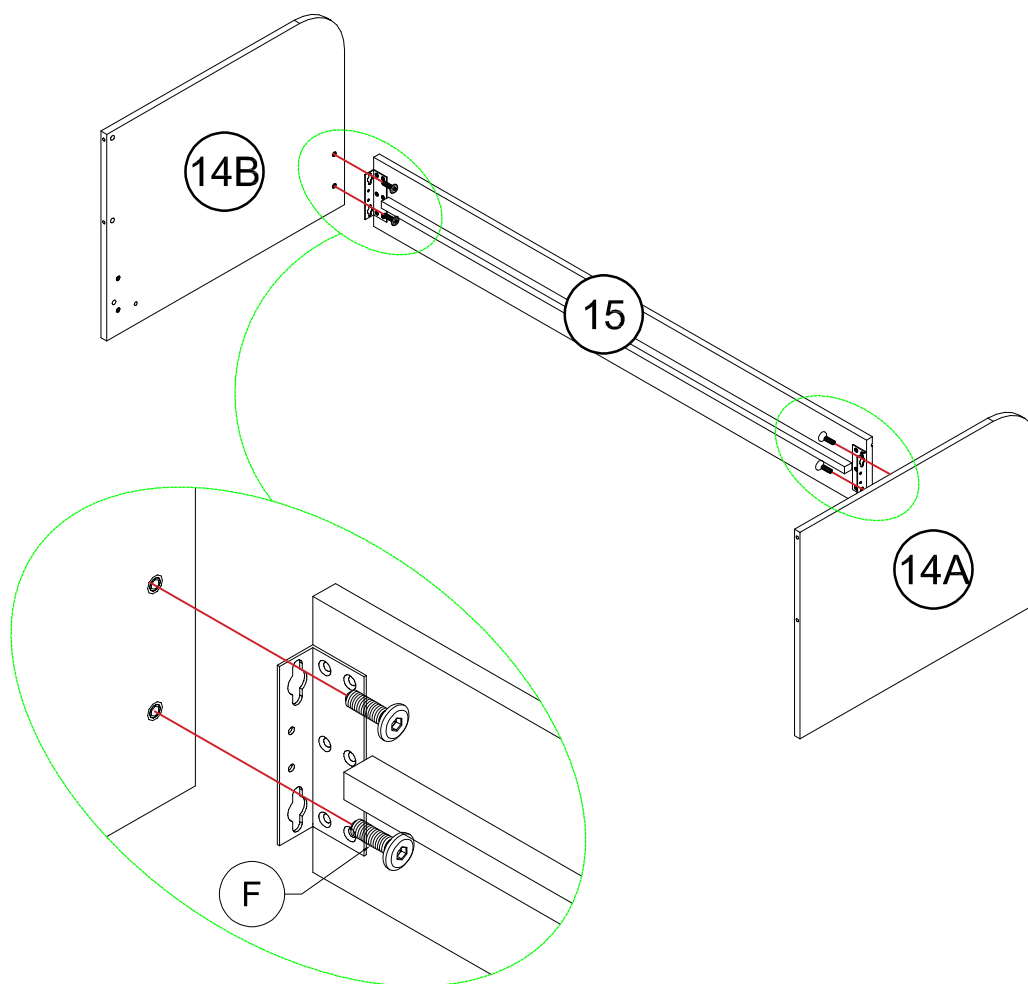
STEP 9: Following below illustration:

ÉTAPE 9: Illustration ci-dessous :

F


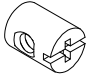


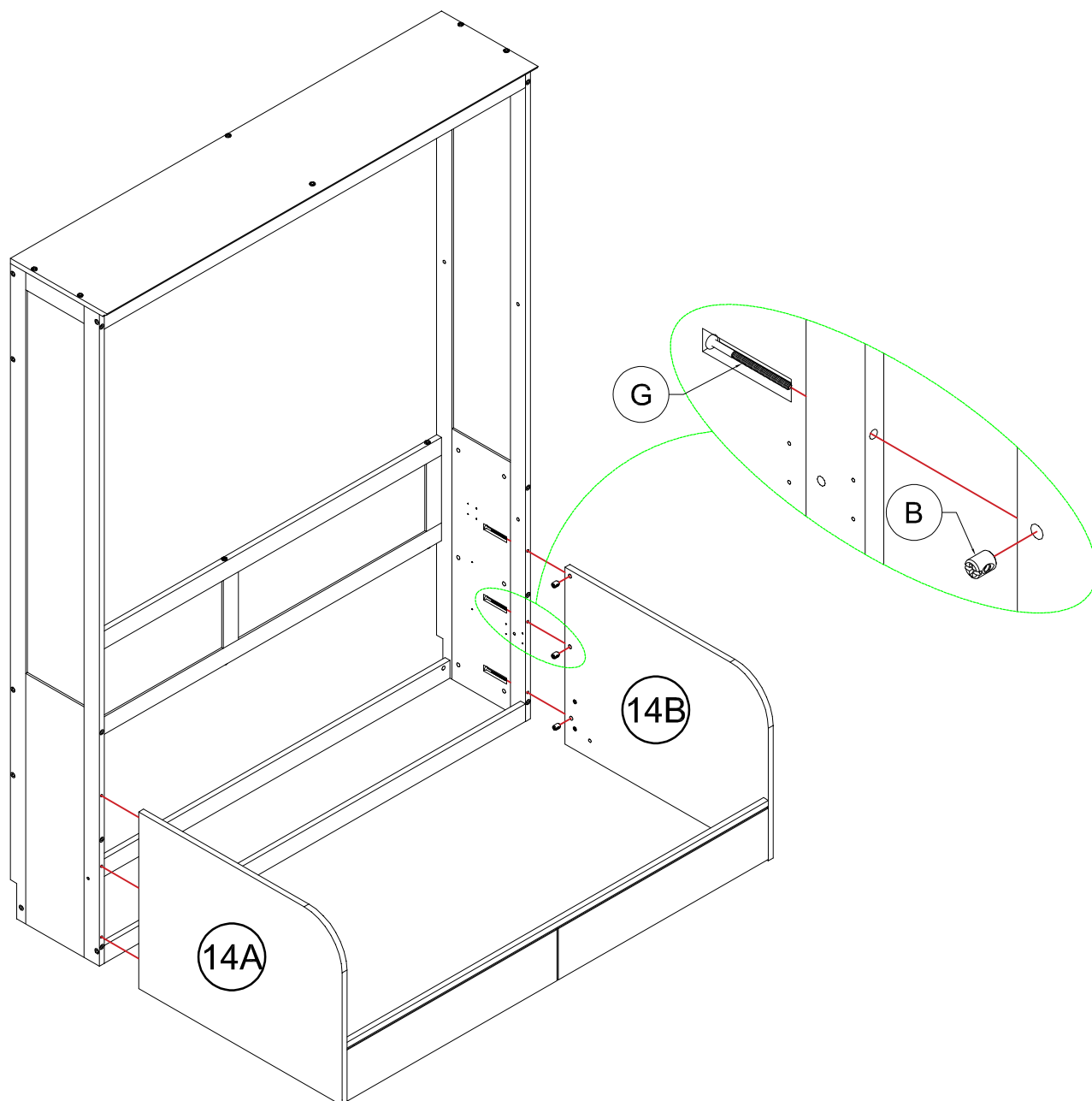
4pcs



STEP 10: Following below illustration:


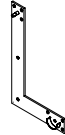

ÉTAPE 10: Illustration ci-dessous :

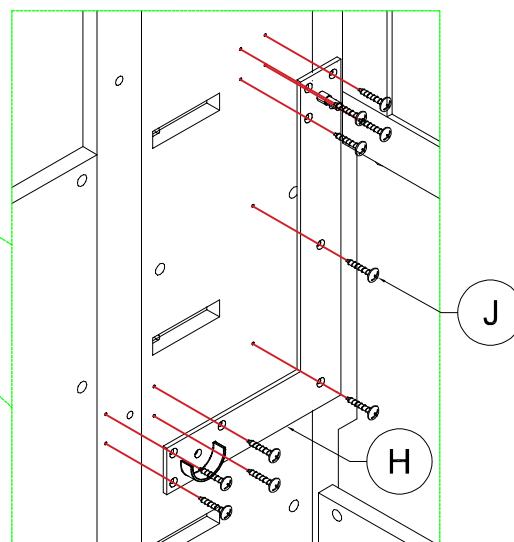
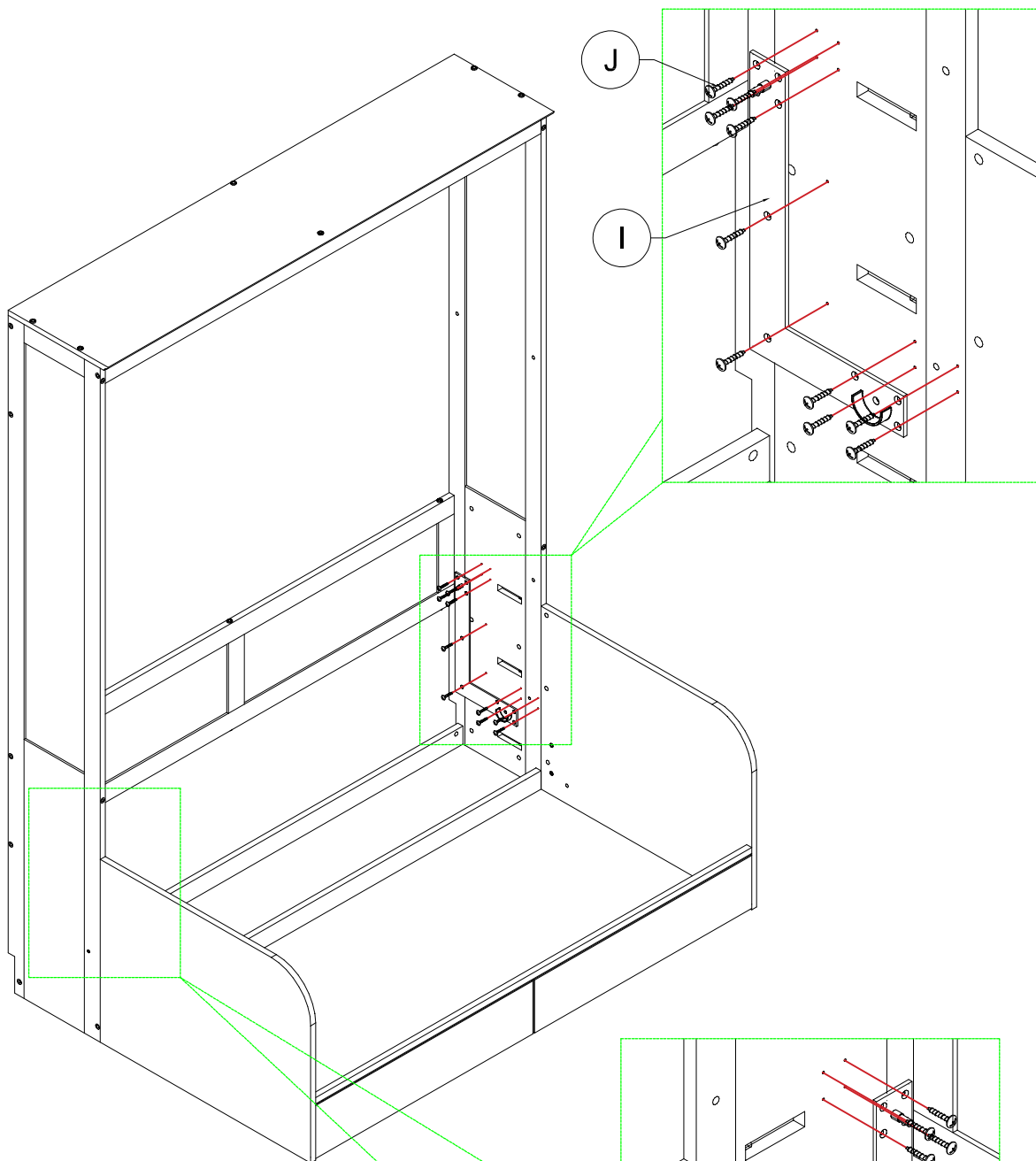
G	B
	
6pcs	6pcs



STEP 11: Following below illustration:


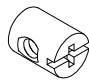
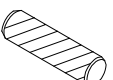
ÉTAPE 11: Illustration ci-dessous :

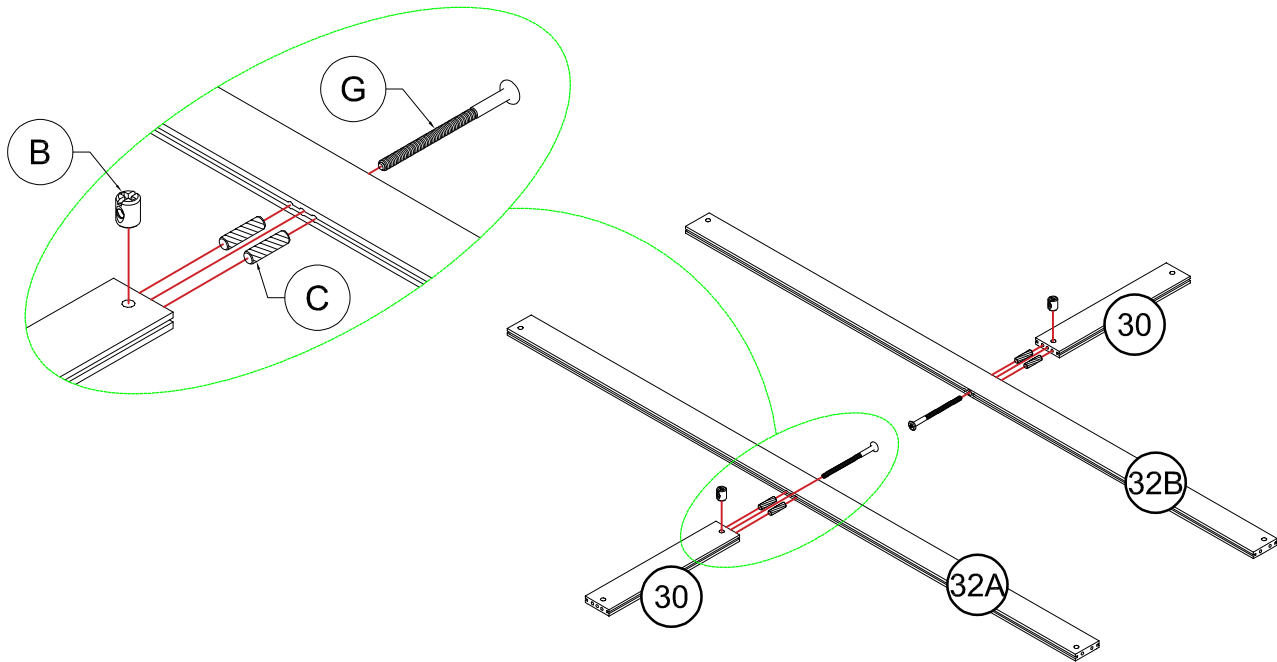
H 	I 	J 
1pc	1pc	20pcs



STEP 12: Following below illustration:

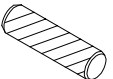
ÉTAPE 12: Illustration ci-dessous :

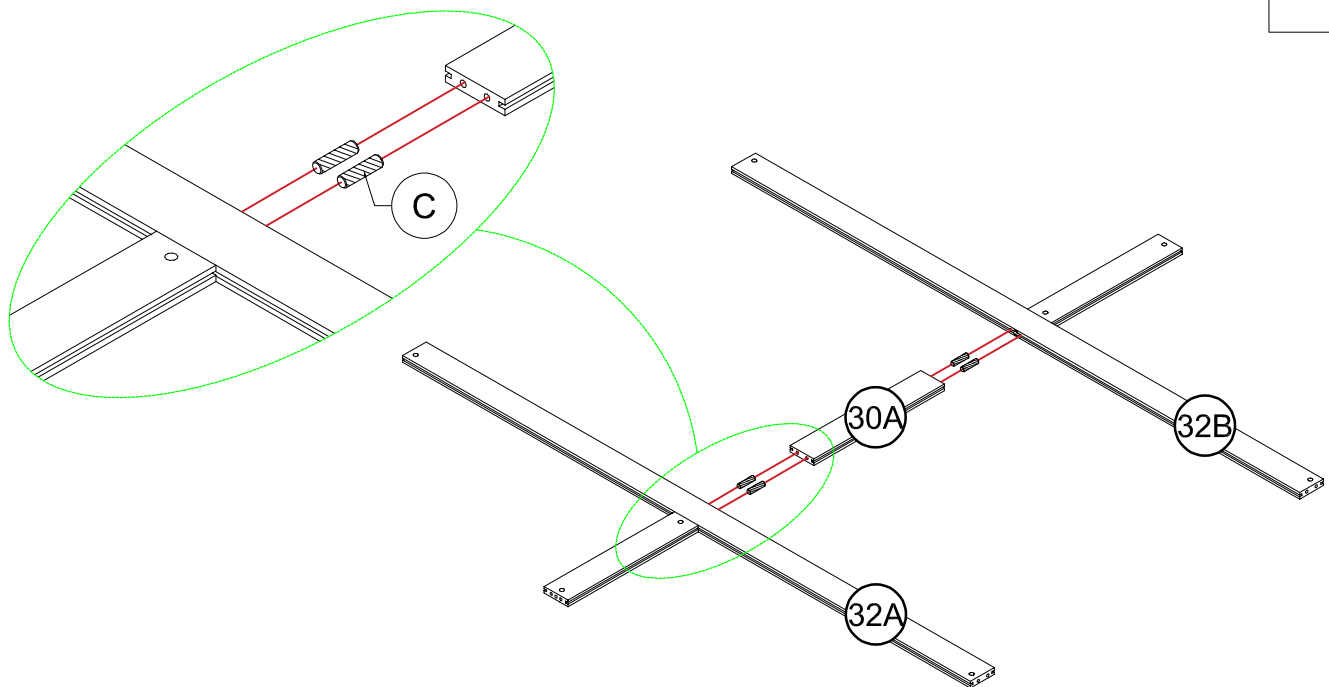
G	B	C
		
2pcs	2pcs	4pcs



STEP 13: Following below illustration:

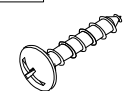
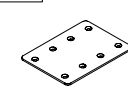
ÉTAPE 13: Illustration ci-dessous :

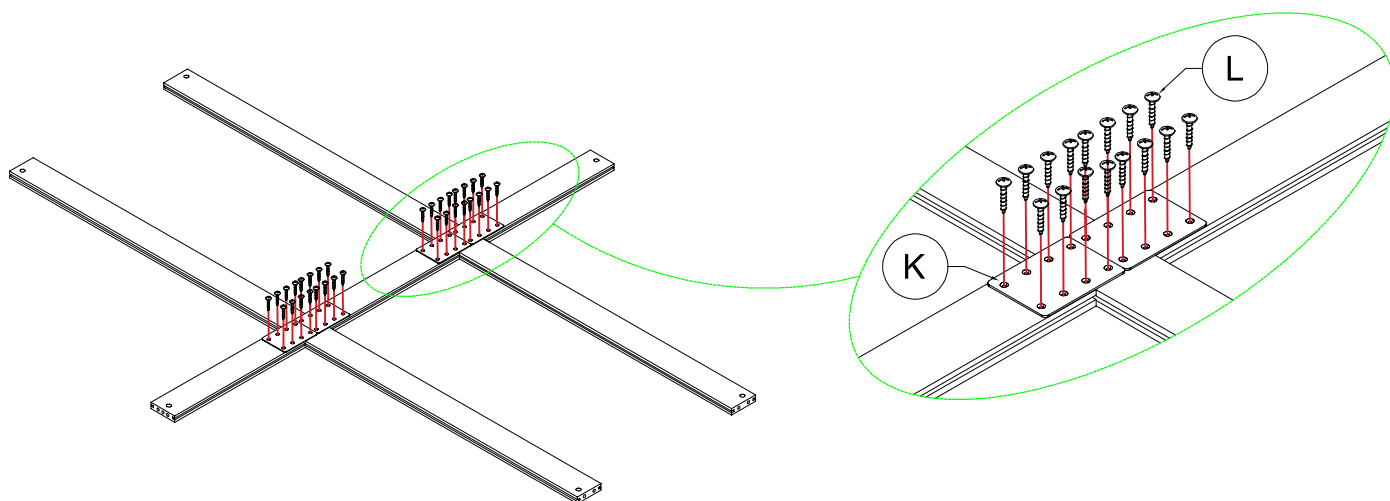
C

4pcs



STEP 14: Following below illustration:

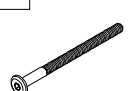
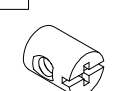
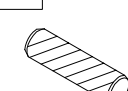
ÉTAPE 14: Illustration ci-dessous :

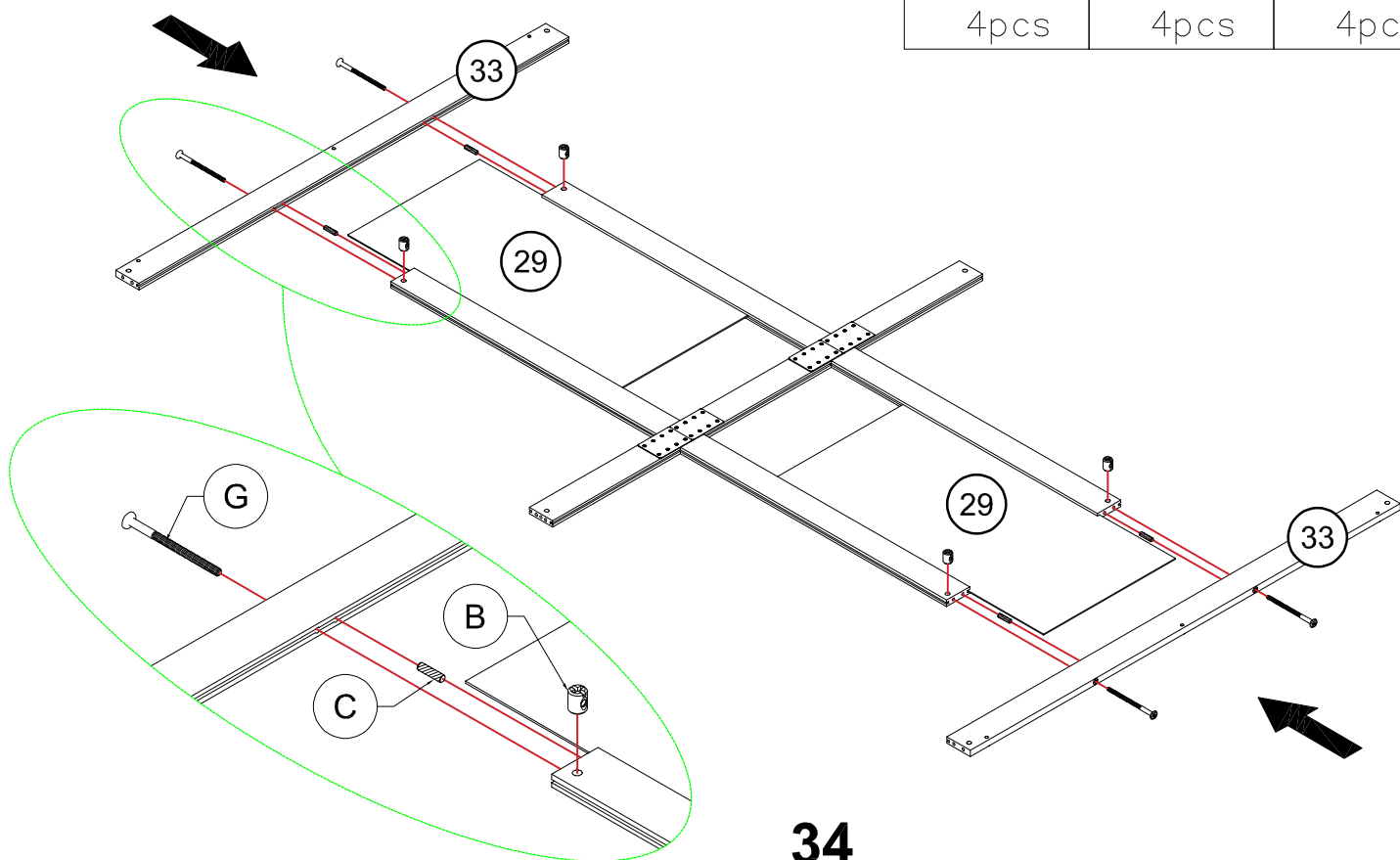
L	K
	
32pcs	4pcs



STEP 15: Following below illustration:


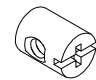
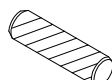
ÉTAPE 15: Illustration ci-dessous :

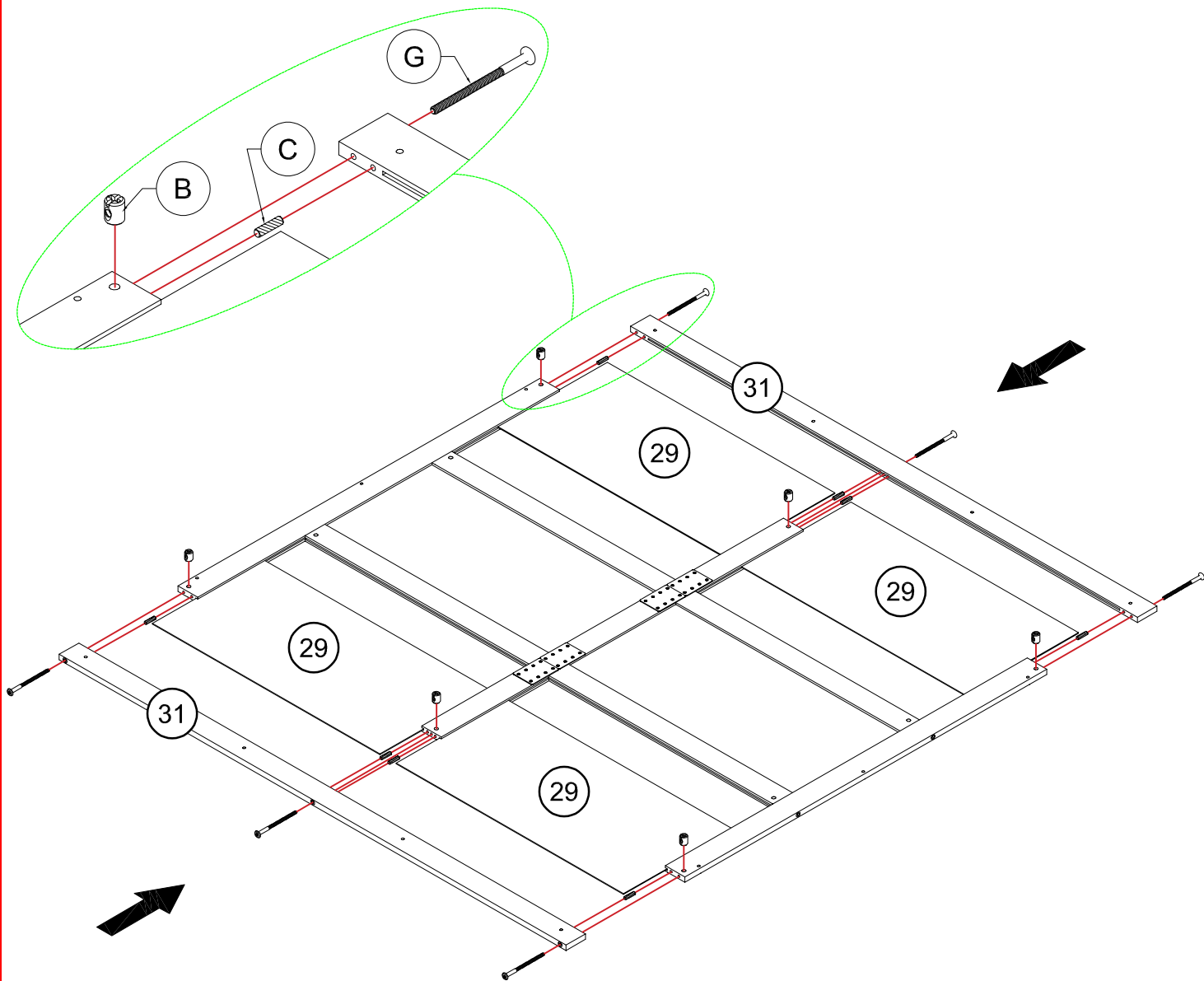
G	B	C
		
4pcs	4pcs	4pcs



STEP 16: Following below illustration:

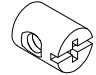
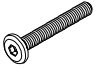
ÉTAPE 16: Illustration ci-dessous :

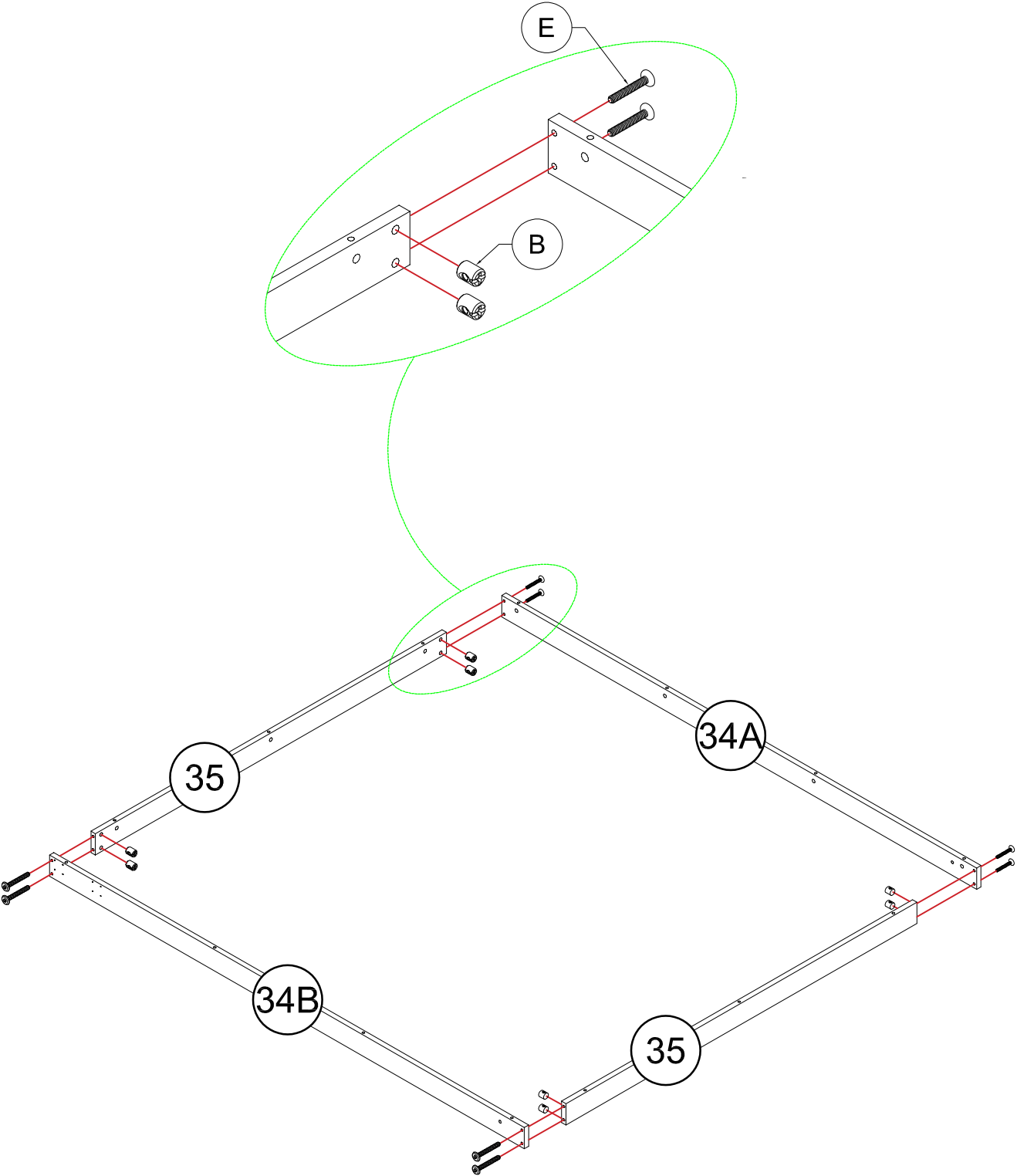
G	B	C
		
6pcs	6pcs	8pcs



STEP 17: Following below illustration:

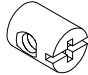
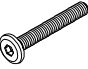
ÉTAPE 17: Illustration ci-dessous :

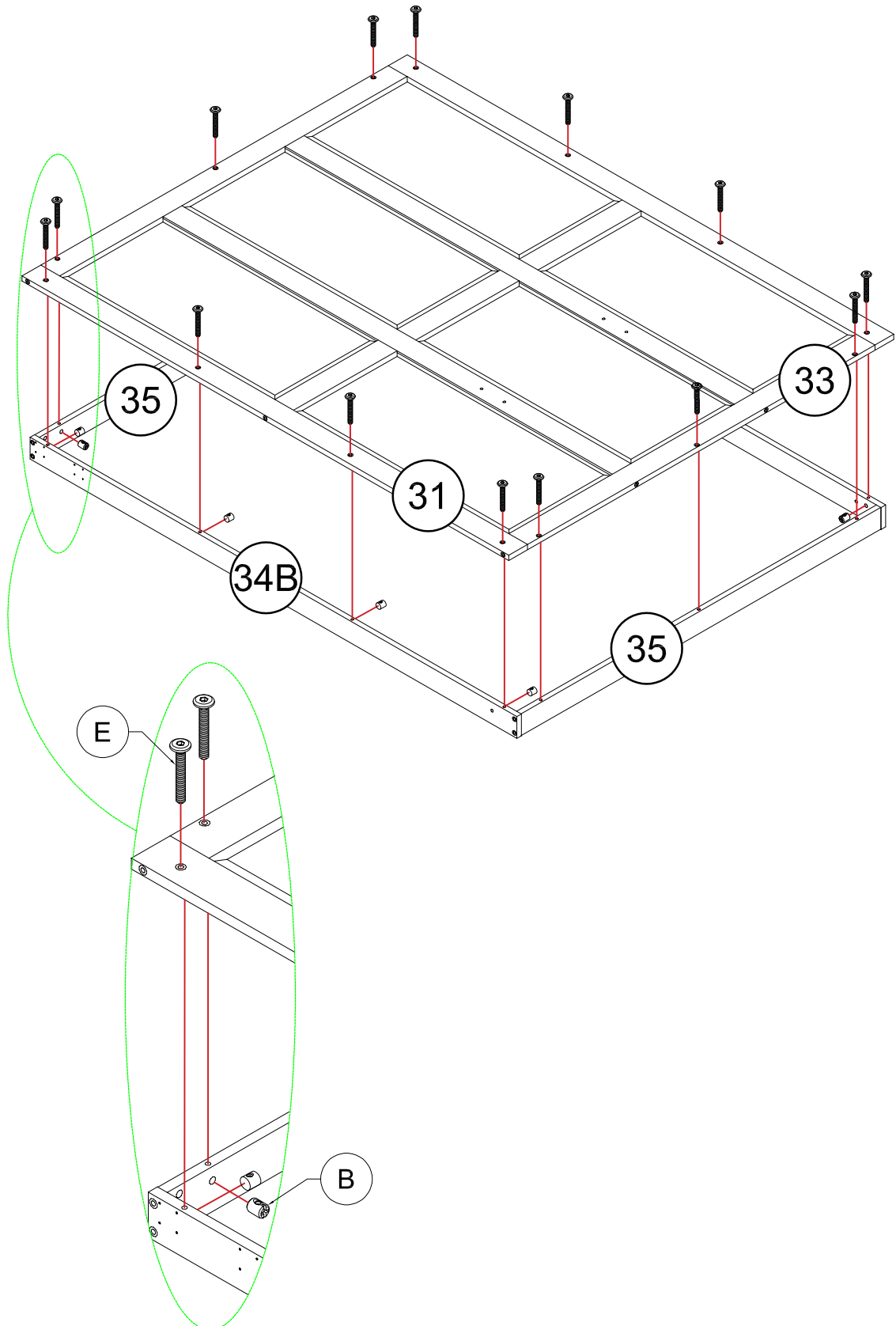
B		E	
	8pcs		8pcs



STEP 18: Following below illustration:


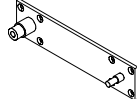

ÉTAPE 18: Illustration ci-dessous :

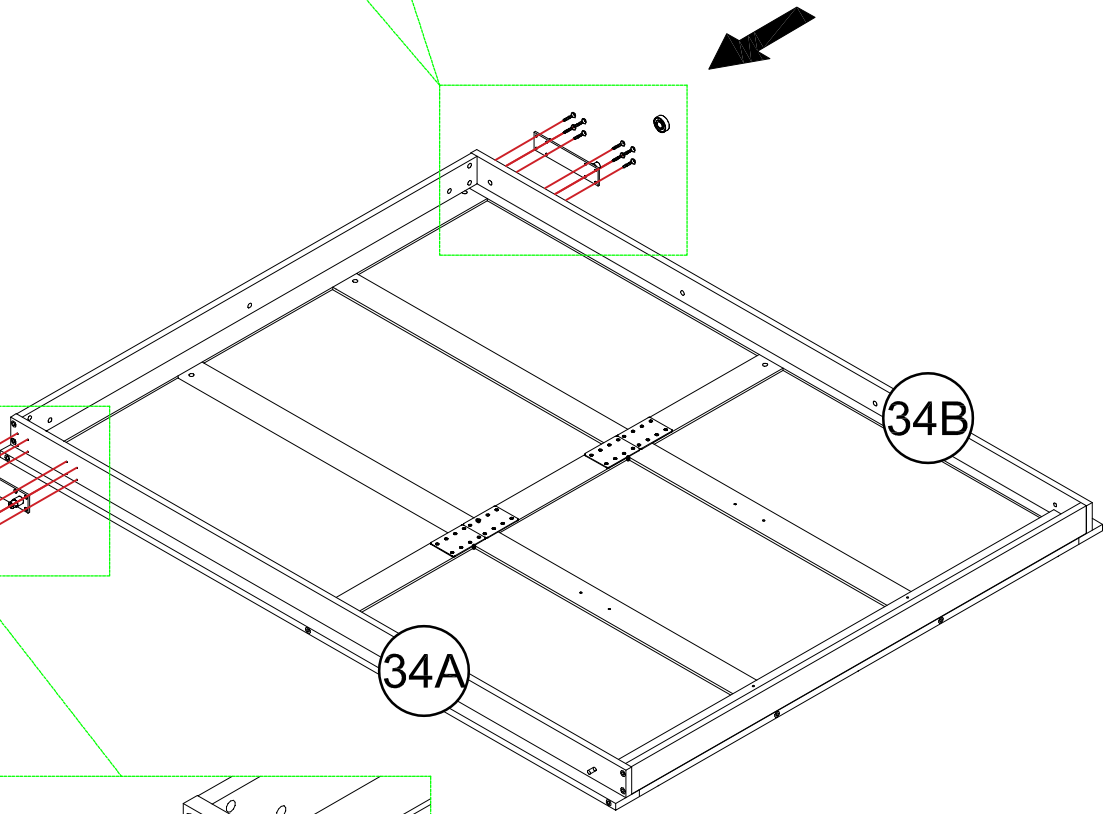
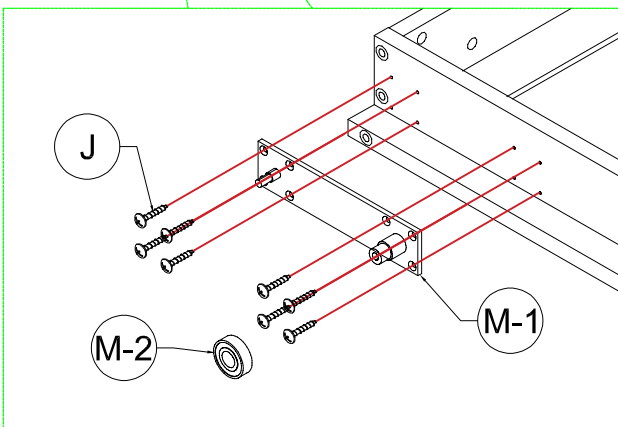
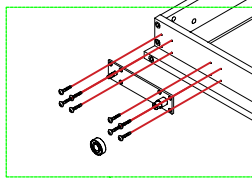
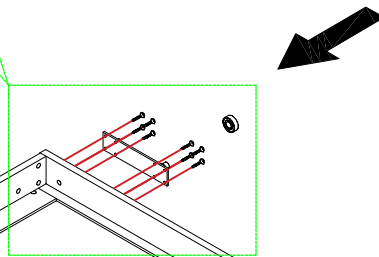
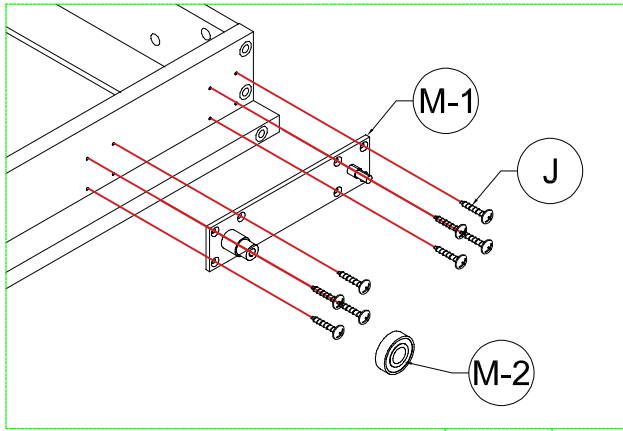
B 	E 
14pcs	14pcs



STEP 19: Following below illustration:

ÉTAPE 19: Illustration ci-dessous :

J	M-1	M-2
		
16pcs	2pcs	2pcs



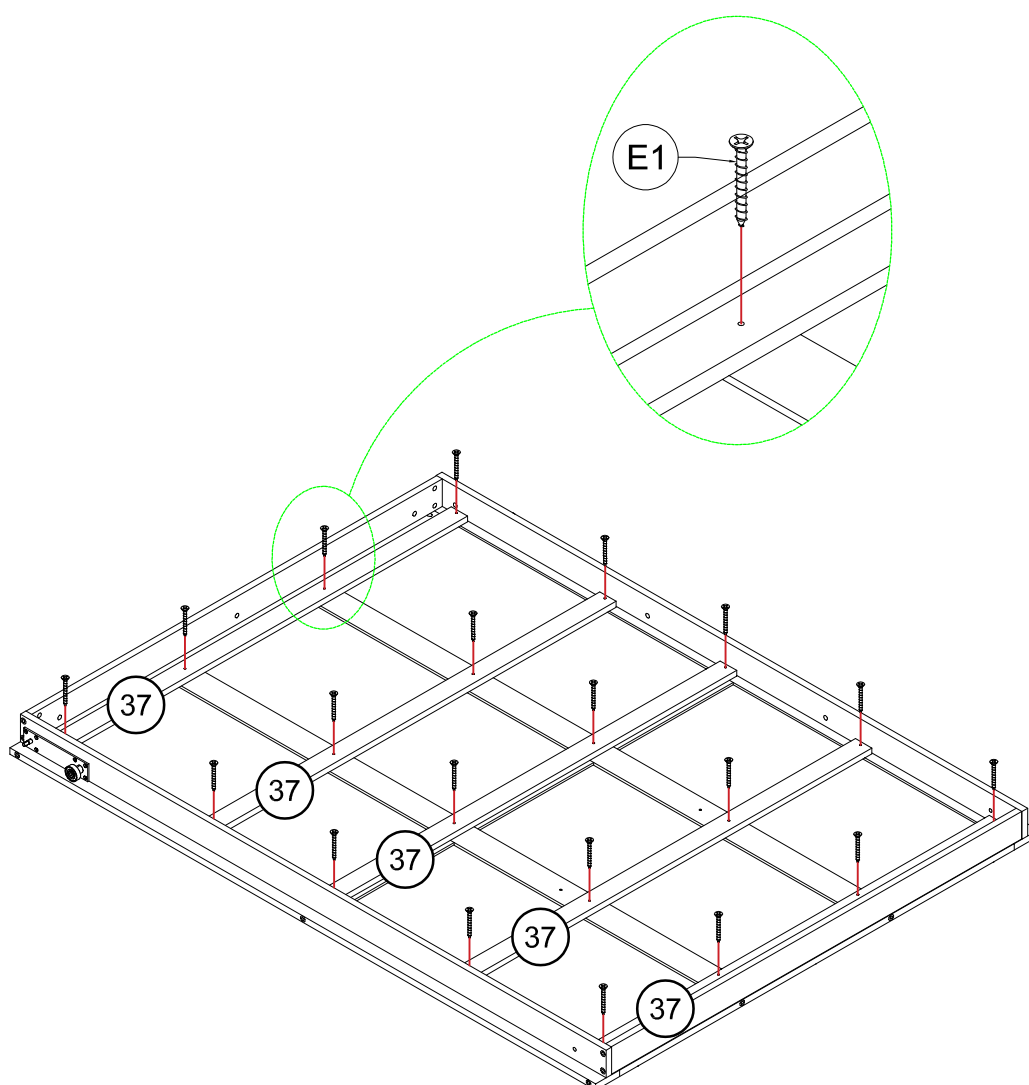
STEP 20: Following below illustration:

ÉTAPE 20: Illustration ci-dessous :

E-1

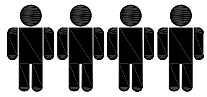


20pcs



STEP 21: Following below illustration:

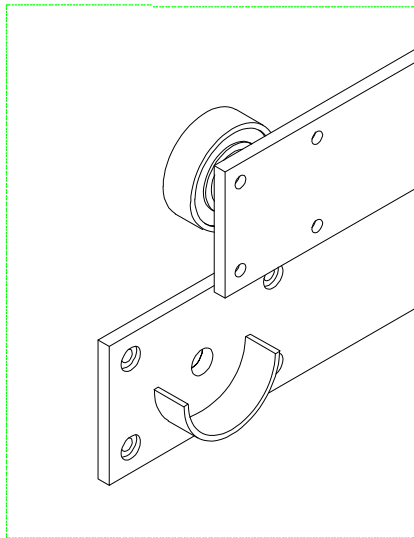
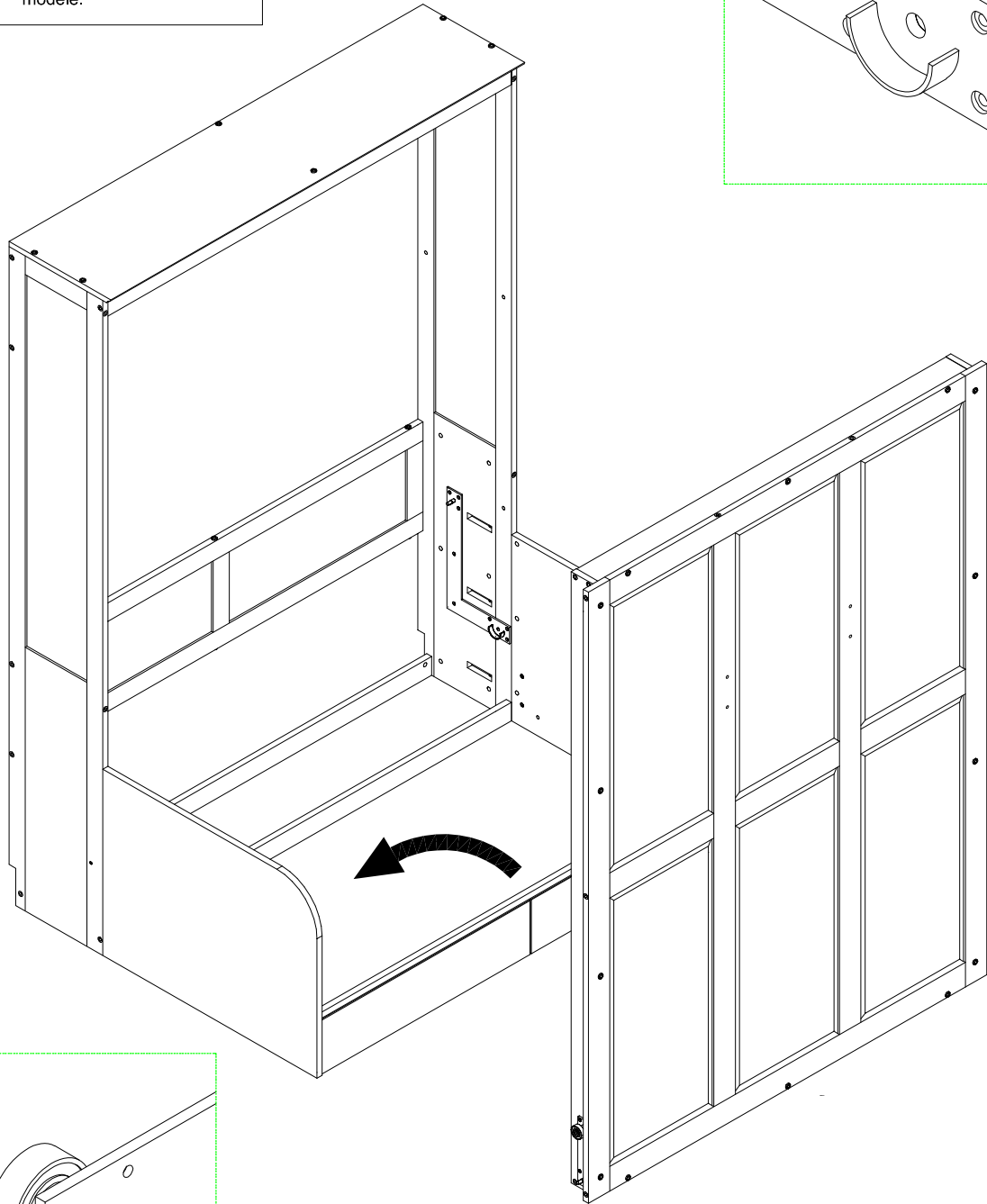
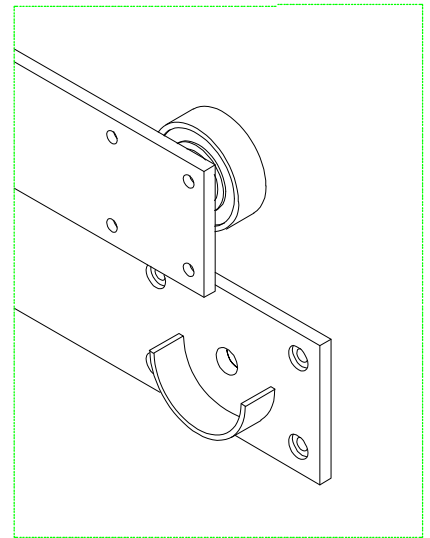
ÉTAPE 21: Illustration ci-dessous :



Four people are required to assemble and move this model.



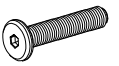
Quatre personnes sont nécessaires pour assembler et déplacer ce modèle.



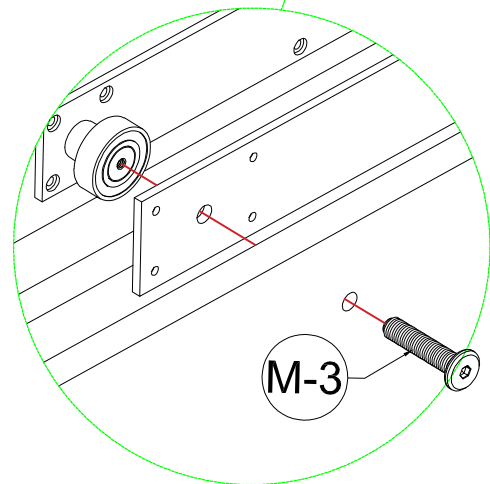
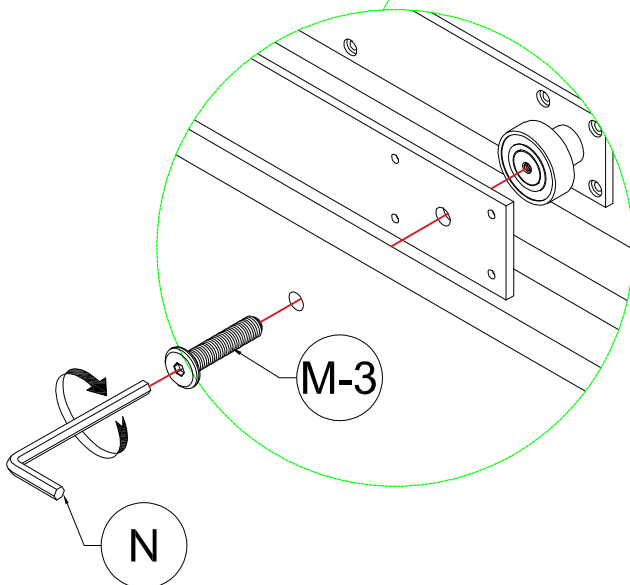
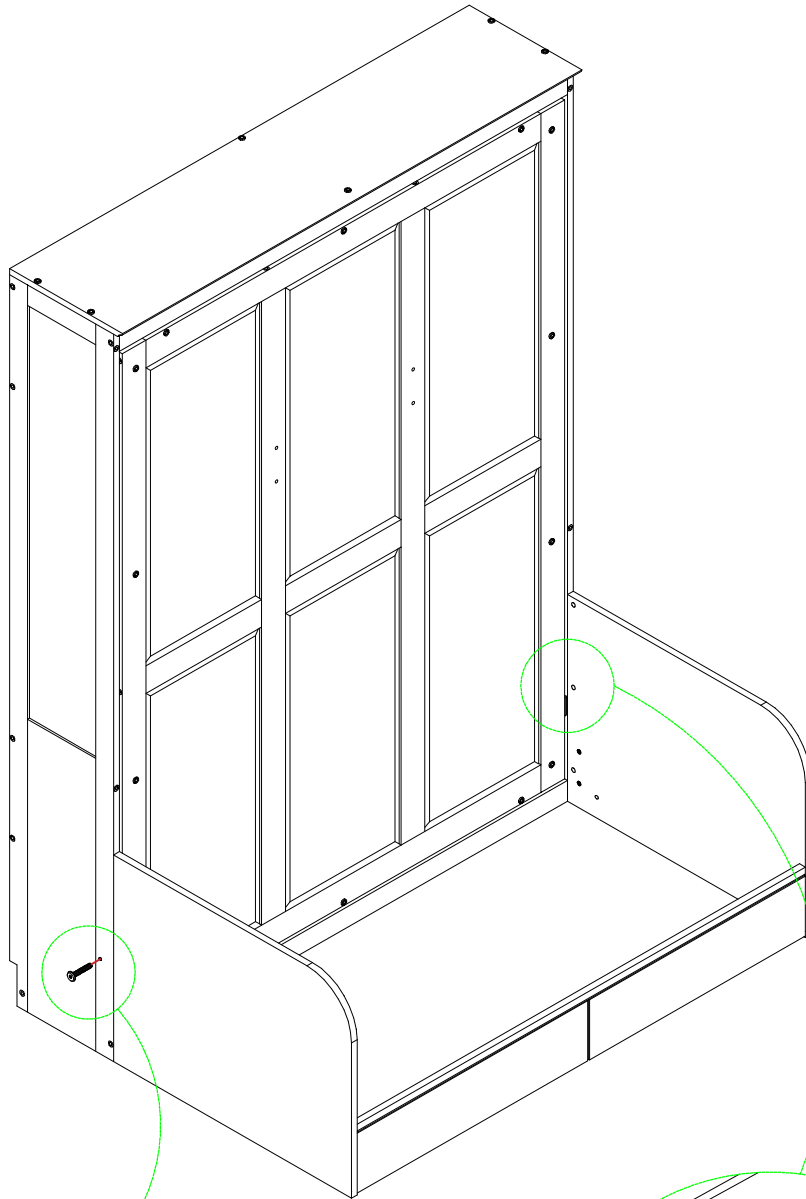
STEP 22: Following below illustration:

ÉTAPE 22: Illustration ci-dessous :

M-3


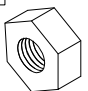


2pcs



STEP 23: Following below illustration:

ÉTAPE 23: Illustration ci-dessous :

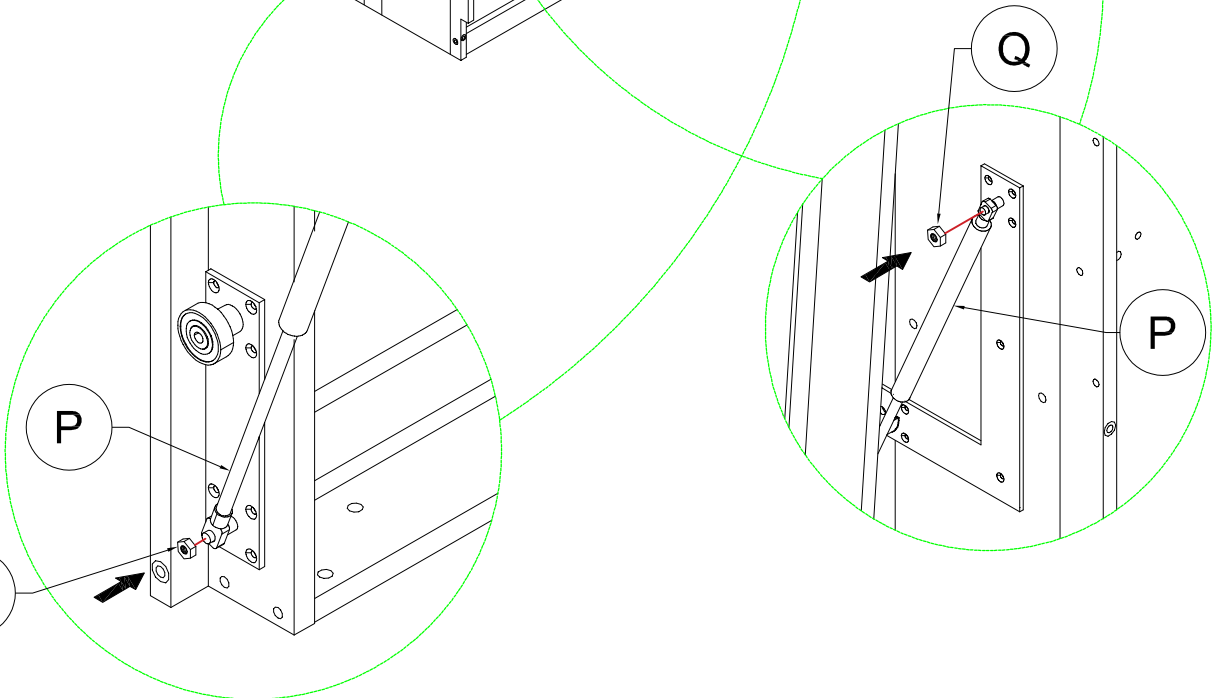
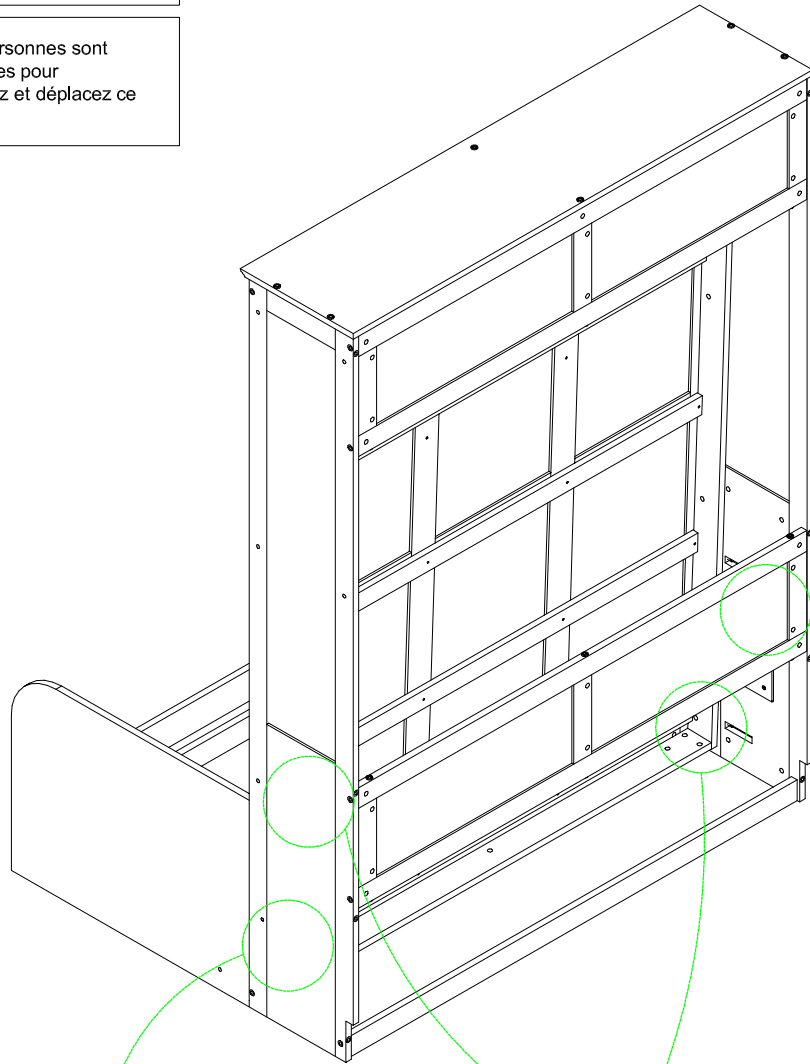
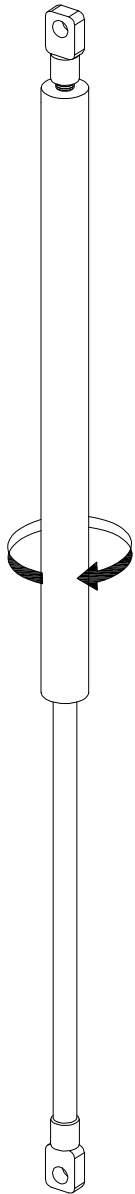
P		Q	
	2pcs		4pcs



Four people are required to assemble and move this model.

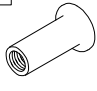
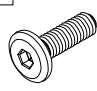


Quatre personnes sont nécessaires pour assembler et déplacer ce modèle.



STEP 24: Following below illustration:

ÉTAPE 24: Illustration ci-dessous :

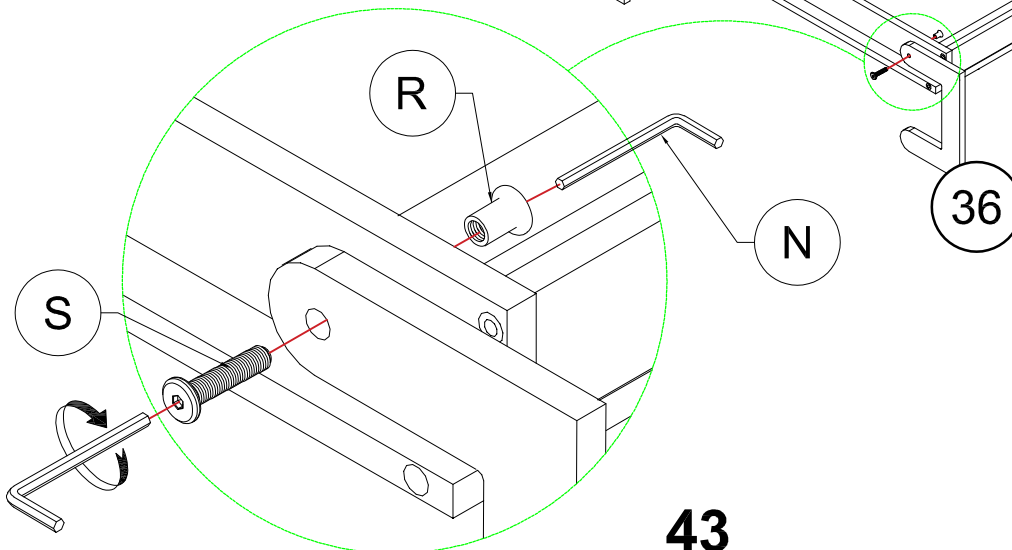
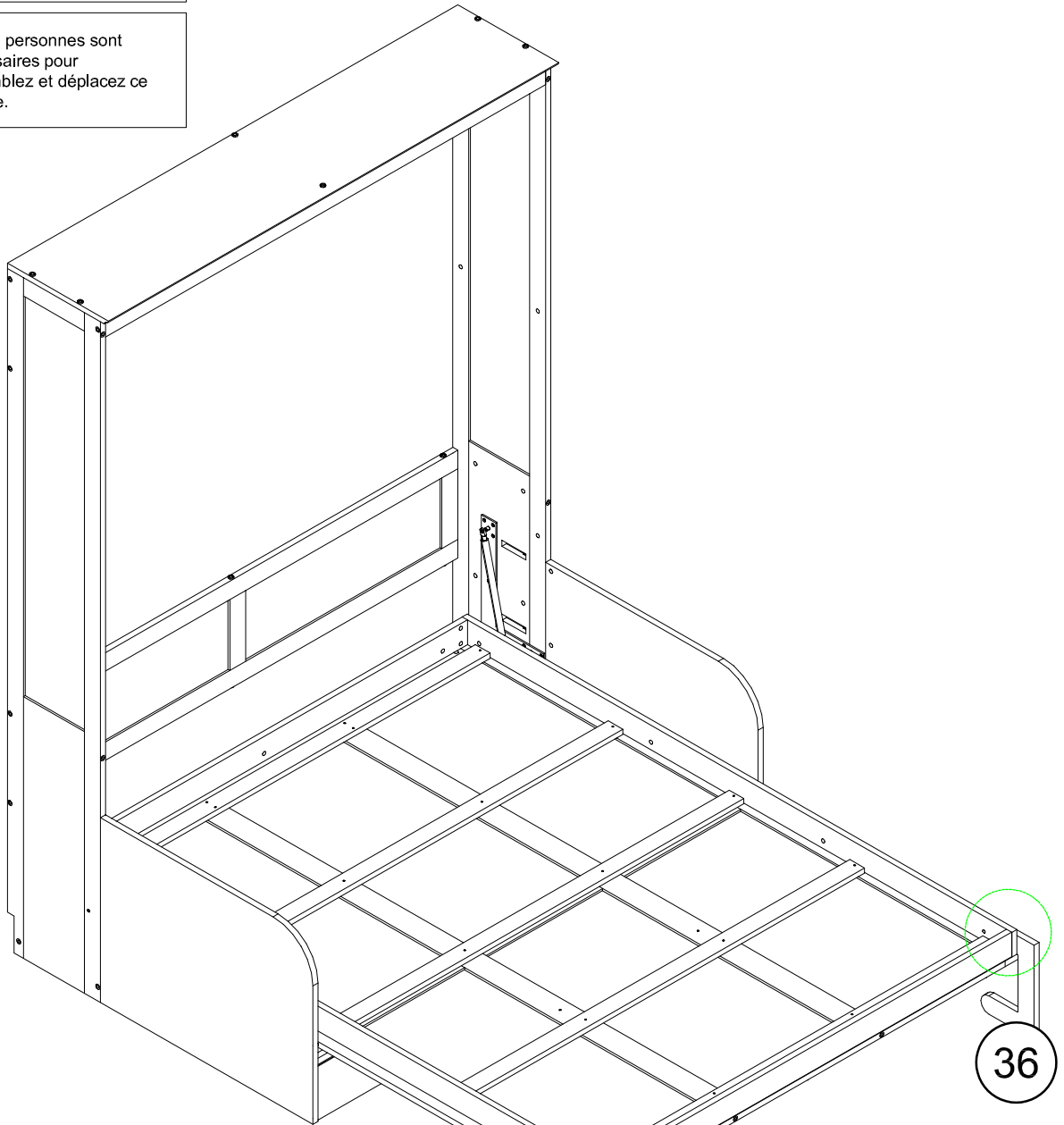
R	S
	
2pcs	2pcs



Four people are required to assemble and move this model.




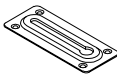

Quatre personnes sont nécessaires pour assembler et déplacer ce modèle.

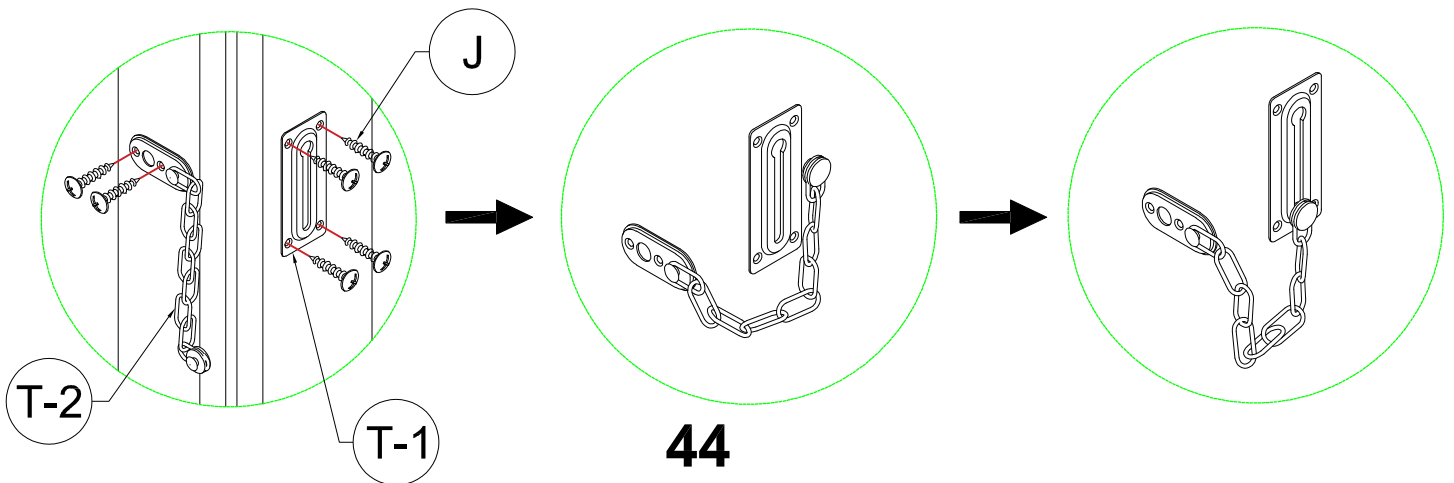
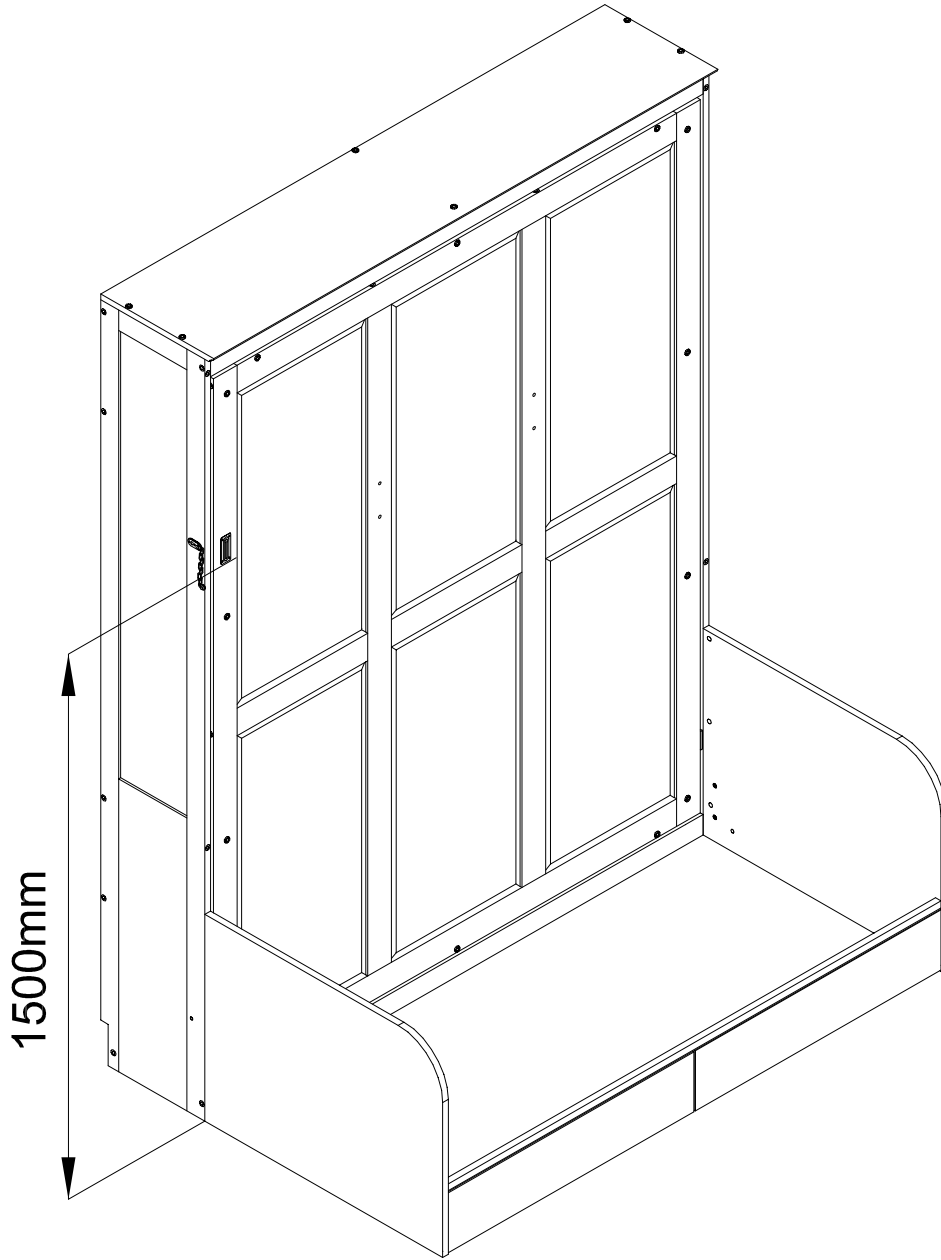


43

STEP 25: Following below illustration:

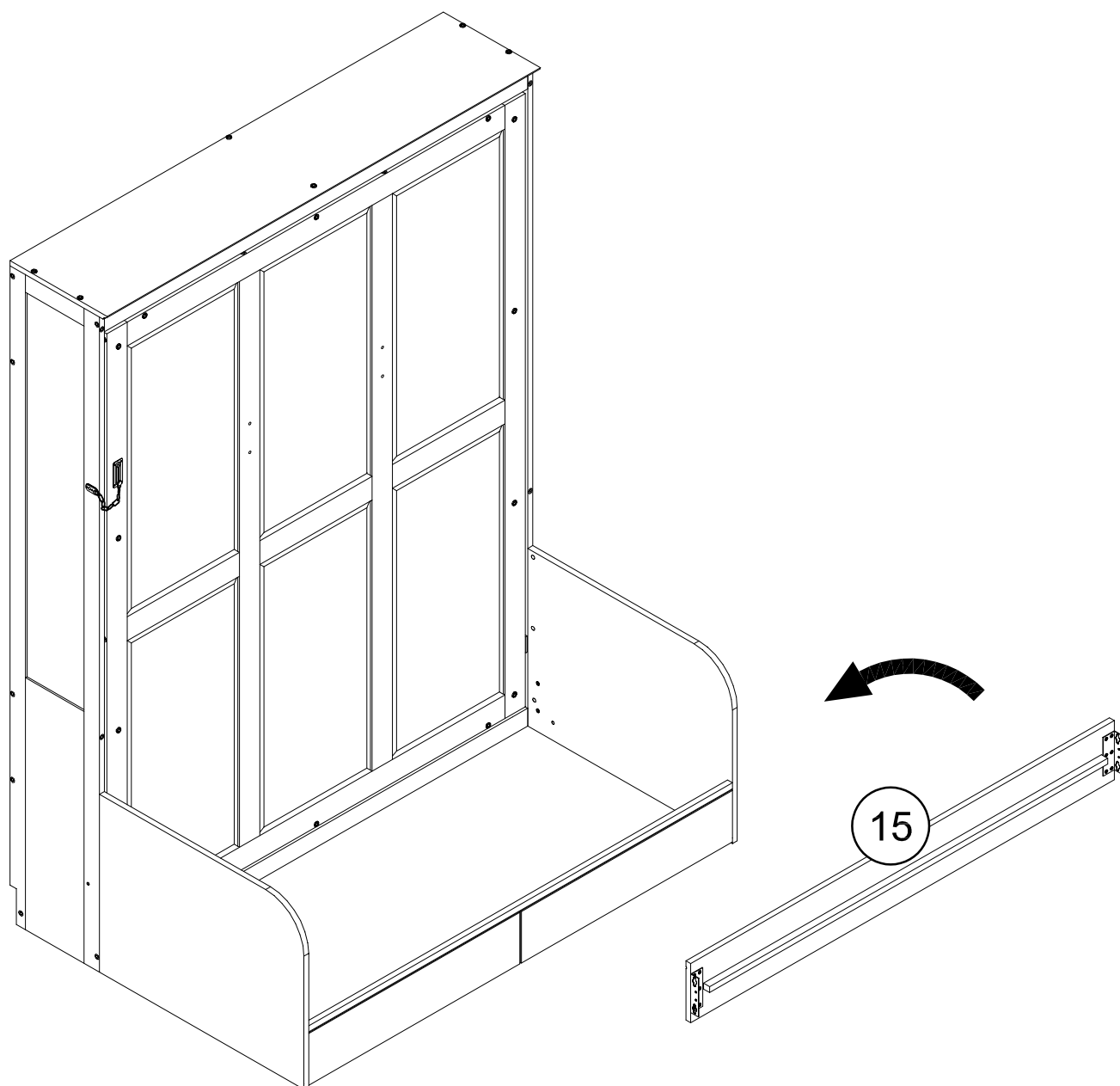
ÉTAPE 25: Illustration ci-dessous :

J	T-1	T-2
		
6pcs	1pc	1pc



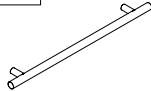

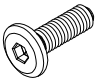
STEP 26: Following below illustration:

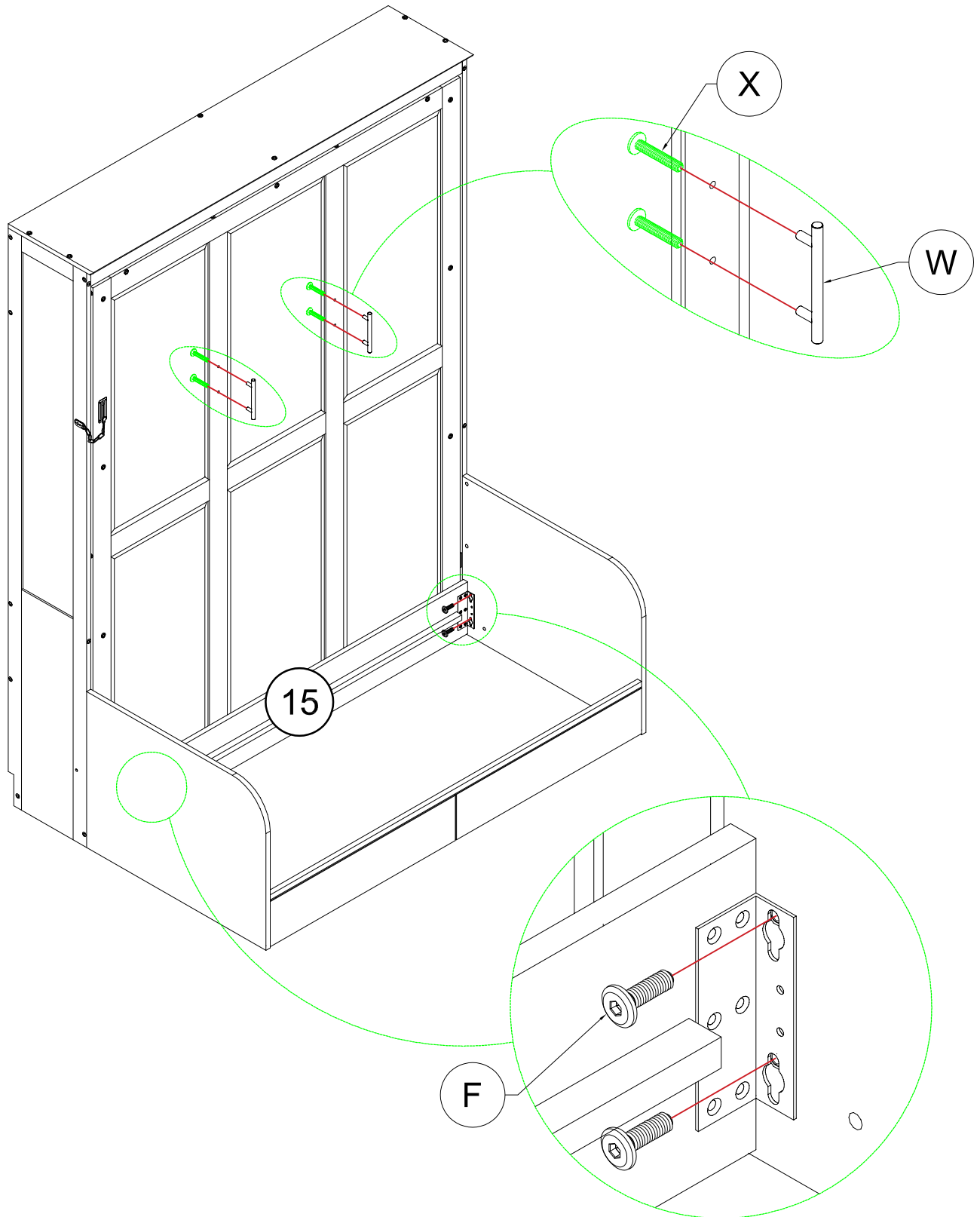
ÉTAPE 26: Illustration ci-dessous :



STEP 27: Following below illustration:

ÉTAPE 27: Illustration ci-dessous :

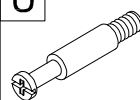
W	X	F
		
2pcs	4pcs	4pcs



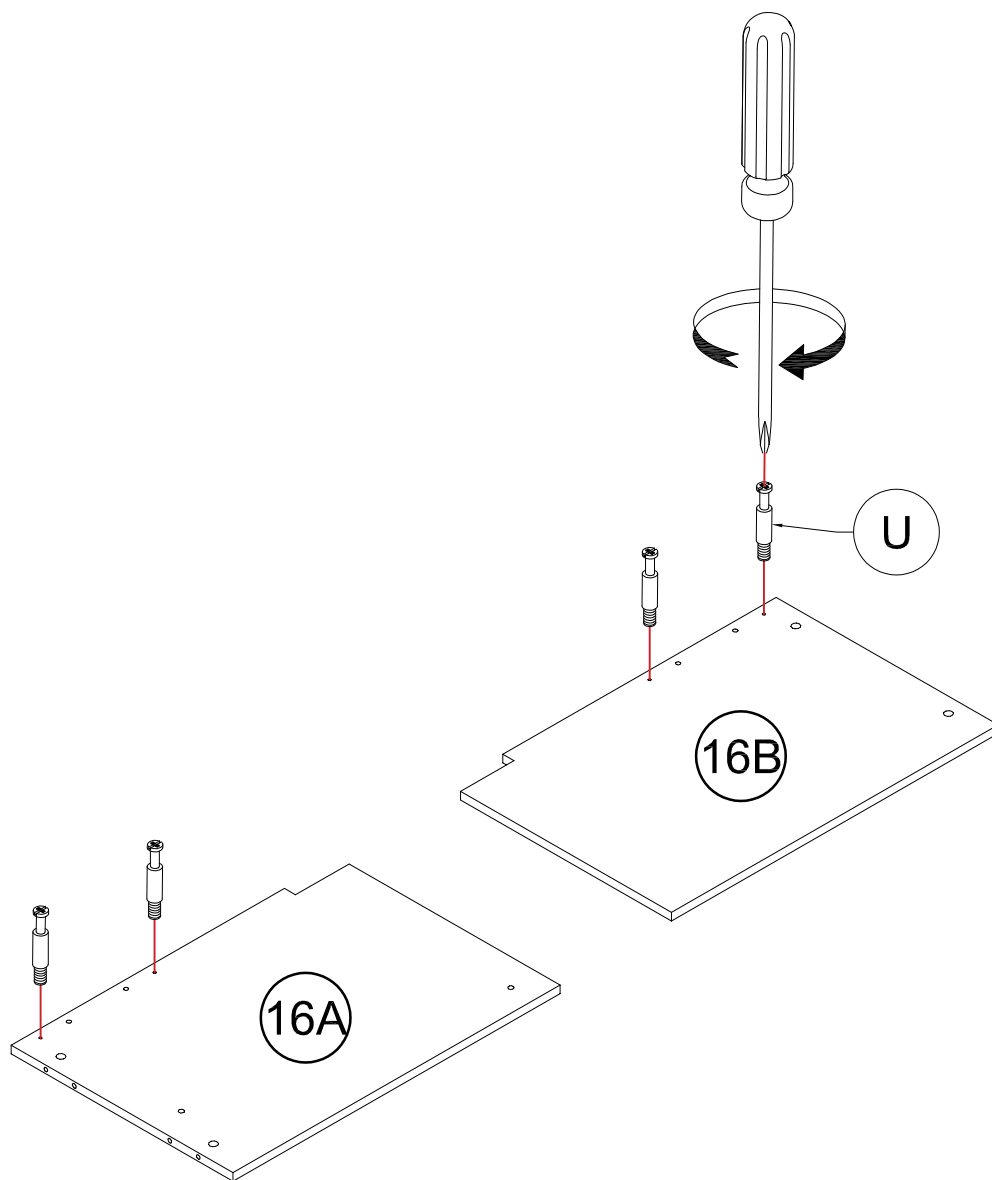
STEP 28: Following below illustration:

ÉTAPE 28: Illustration ci-dessous :

U

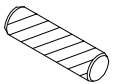
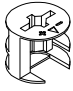


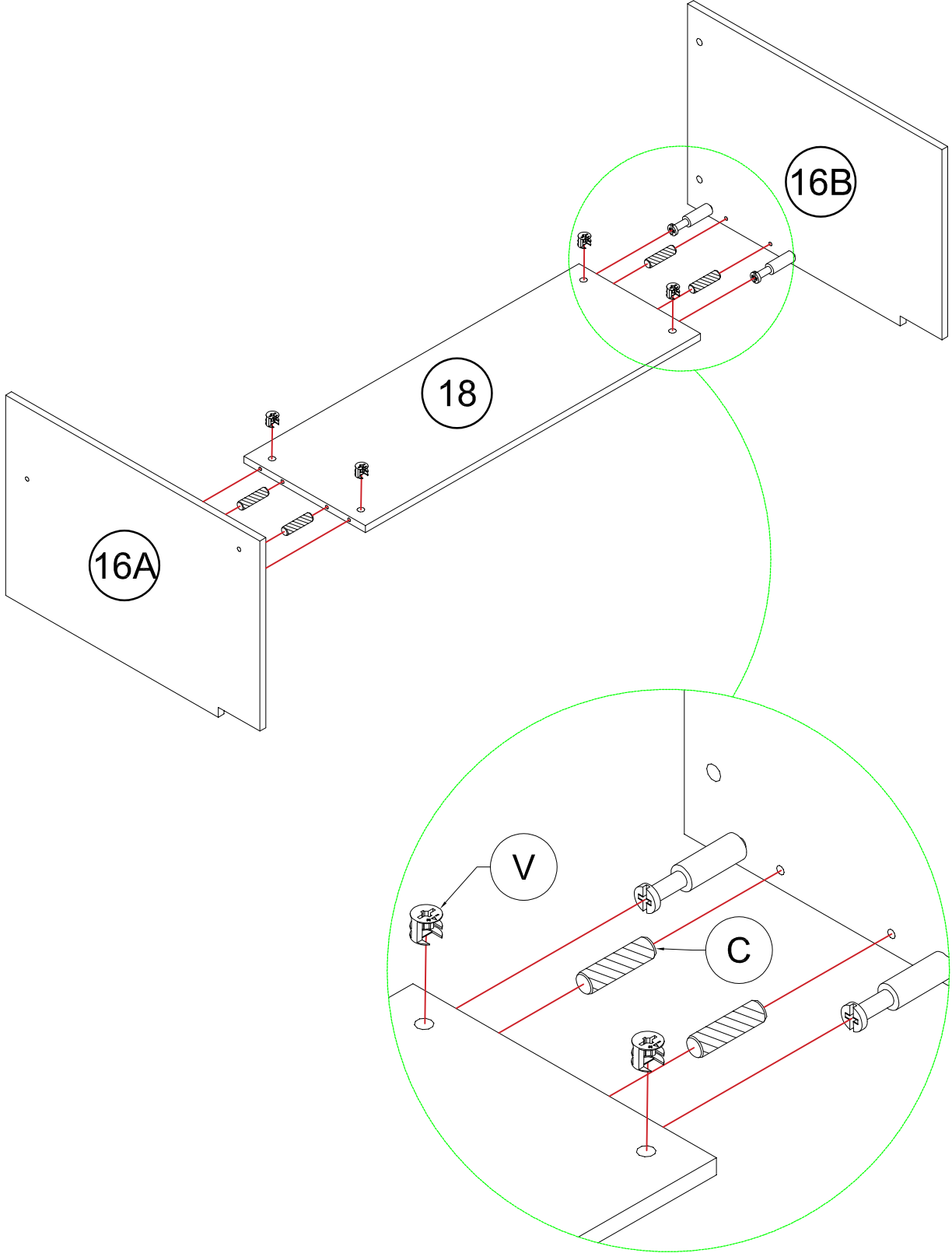
4pcs



STEP 29: Following below illustration:

ÉTAPE 29: Illustration ci-dessous :

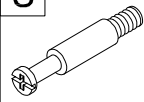
C 	V 
4pcs	4pcs



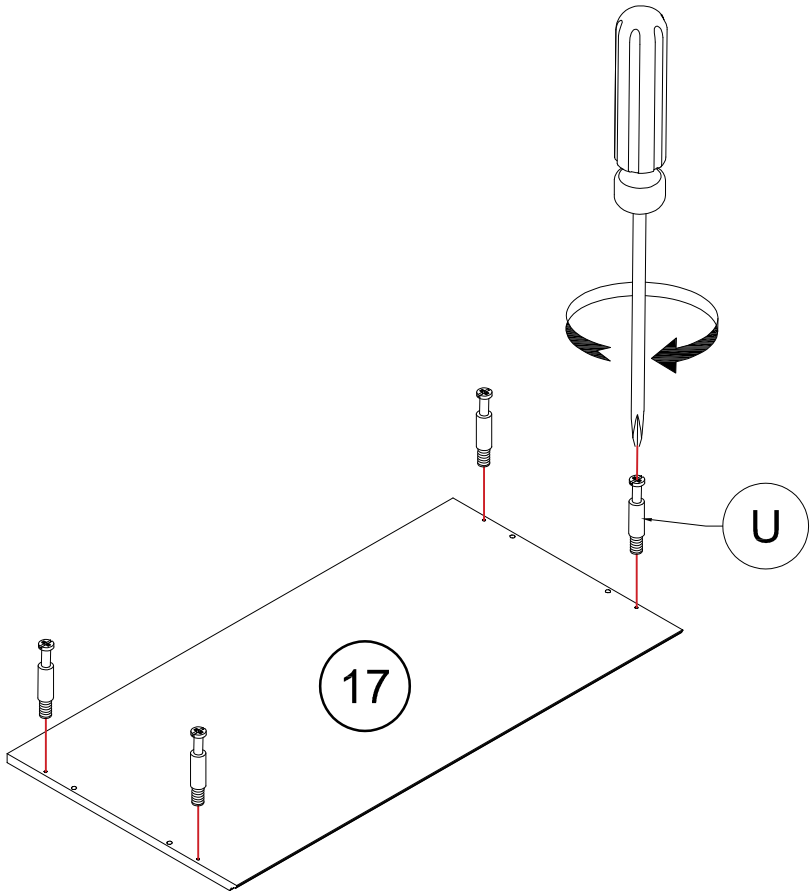
STEP 30: Following below illustration:

ÉTAPE 30: Illustration ci-dessous :

U

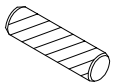



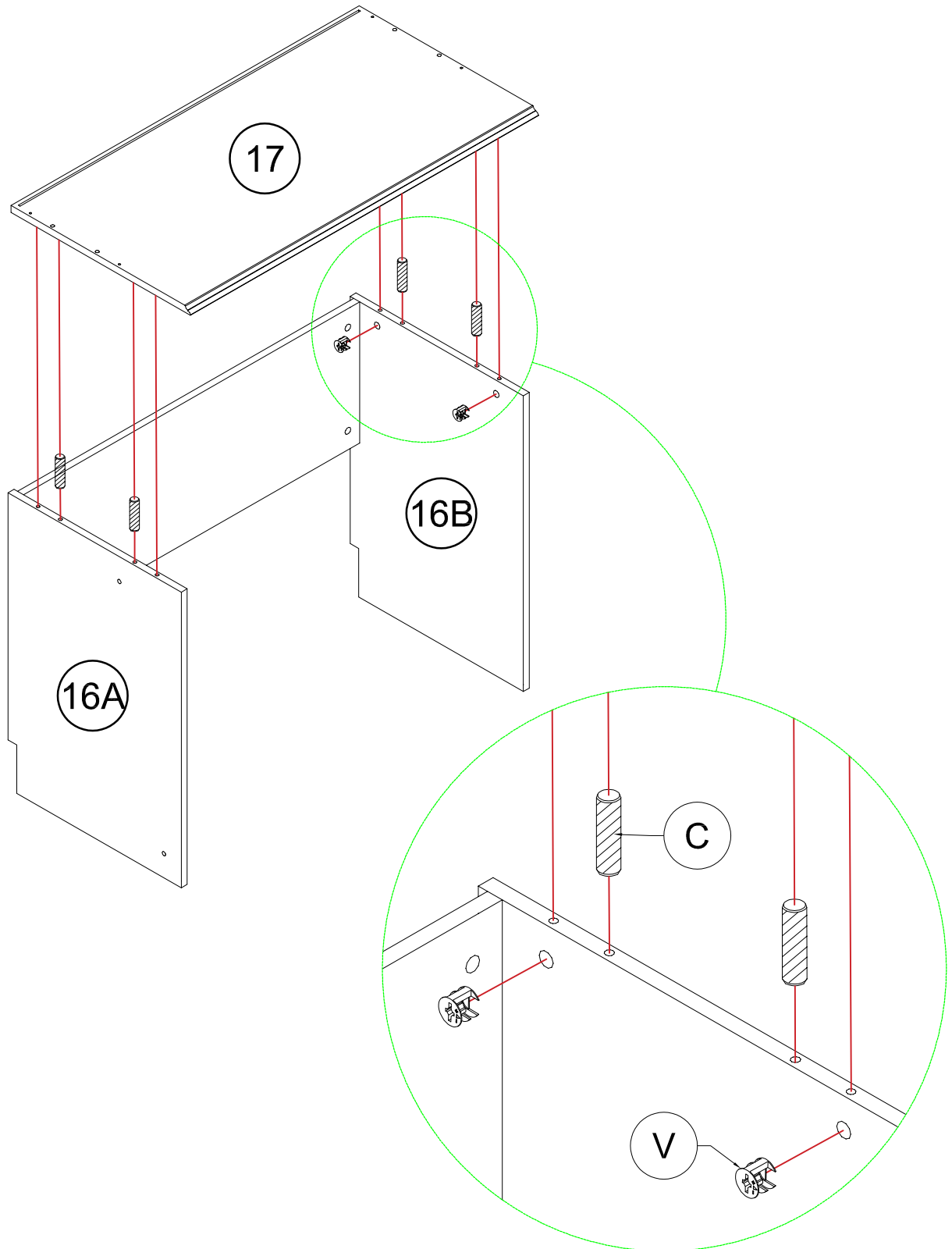
4pcs



STEP 31: Following below illustration:

ÉTAPE 31: Illustration ci-dessous :

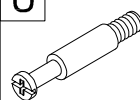
C 	V 
4pcs	4pcs



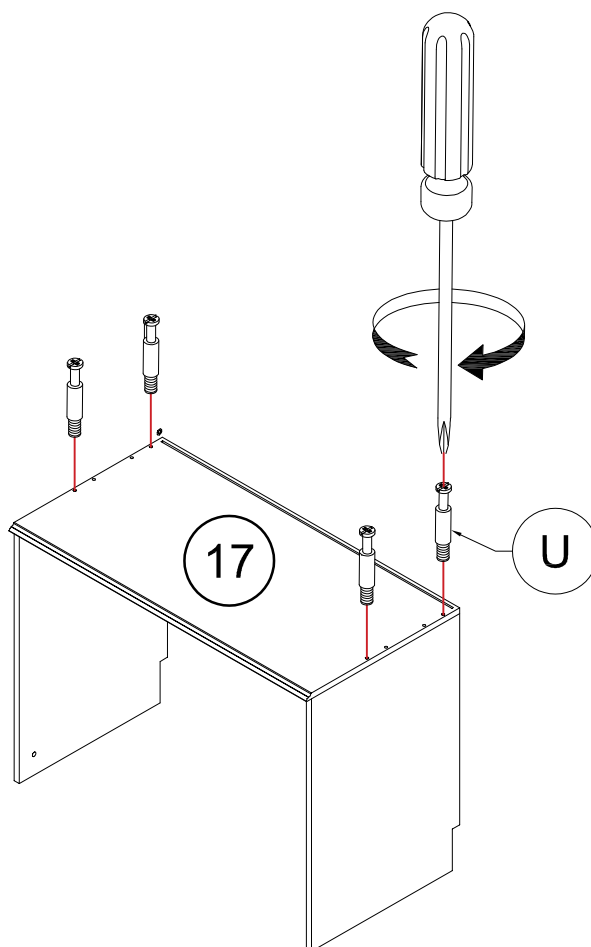
STEP 32: Following below illustration:

ÉTAPE 32: Illustration ci-dessous :

U



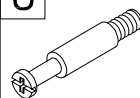
4pcs



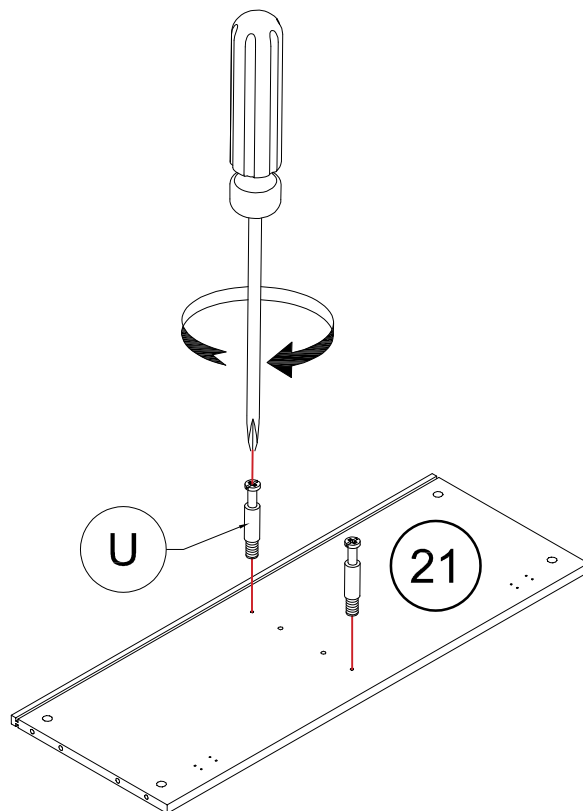
STEP 33: Following below illustration:

ÉTAPE 33: Illustration ci-dessous :

U



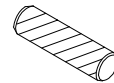
2pcs



STEP 34: Following below illustration:

ÉTAPE 34: Illustration ci-dessous :

C

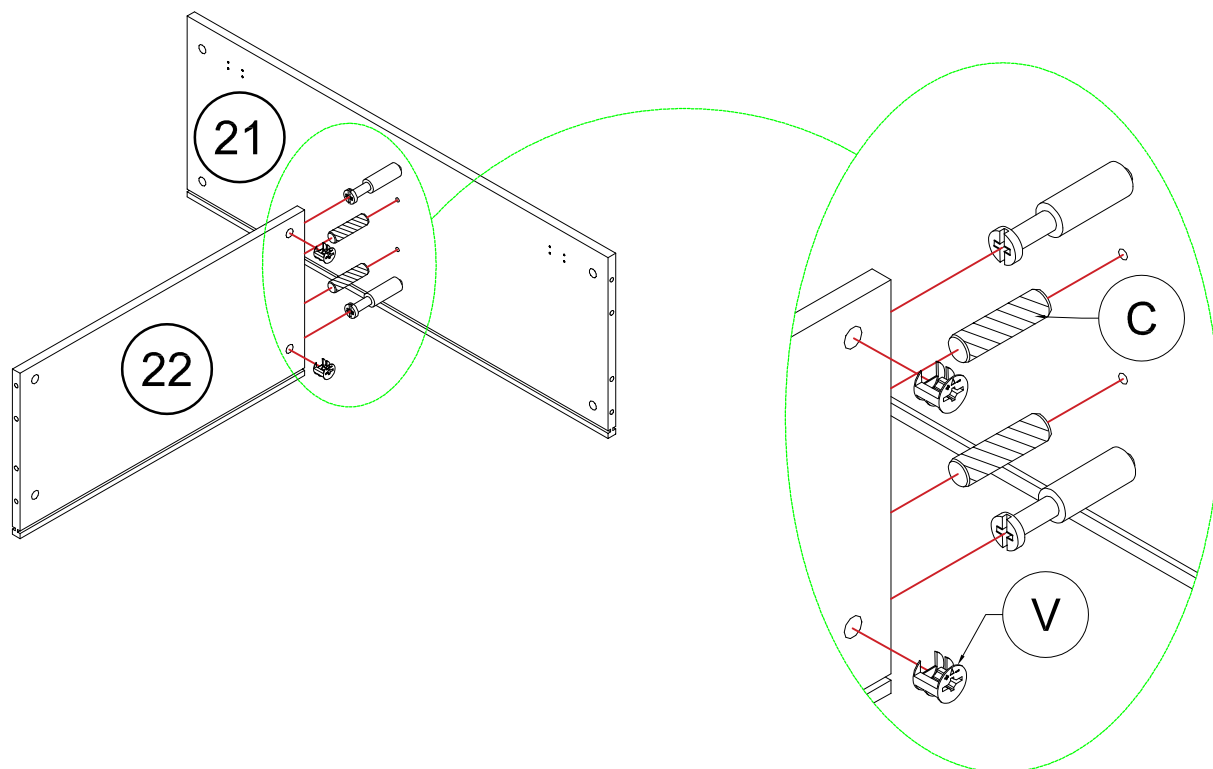


2pcs

V



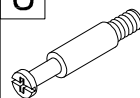
2pcs



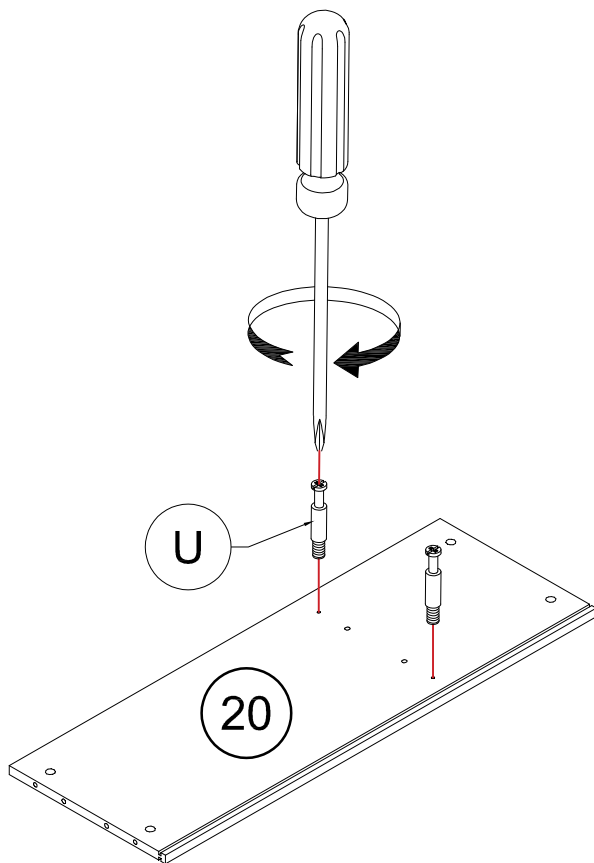
STEP 35: Following below illustration:

ÉTAPE 35: Illustration ci-dessous :

U



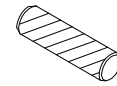
2pcs



STEP 36: Following below illustration:

ÉTAPE 36: Illustration ci-dessous :

C

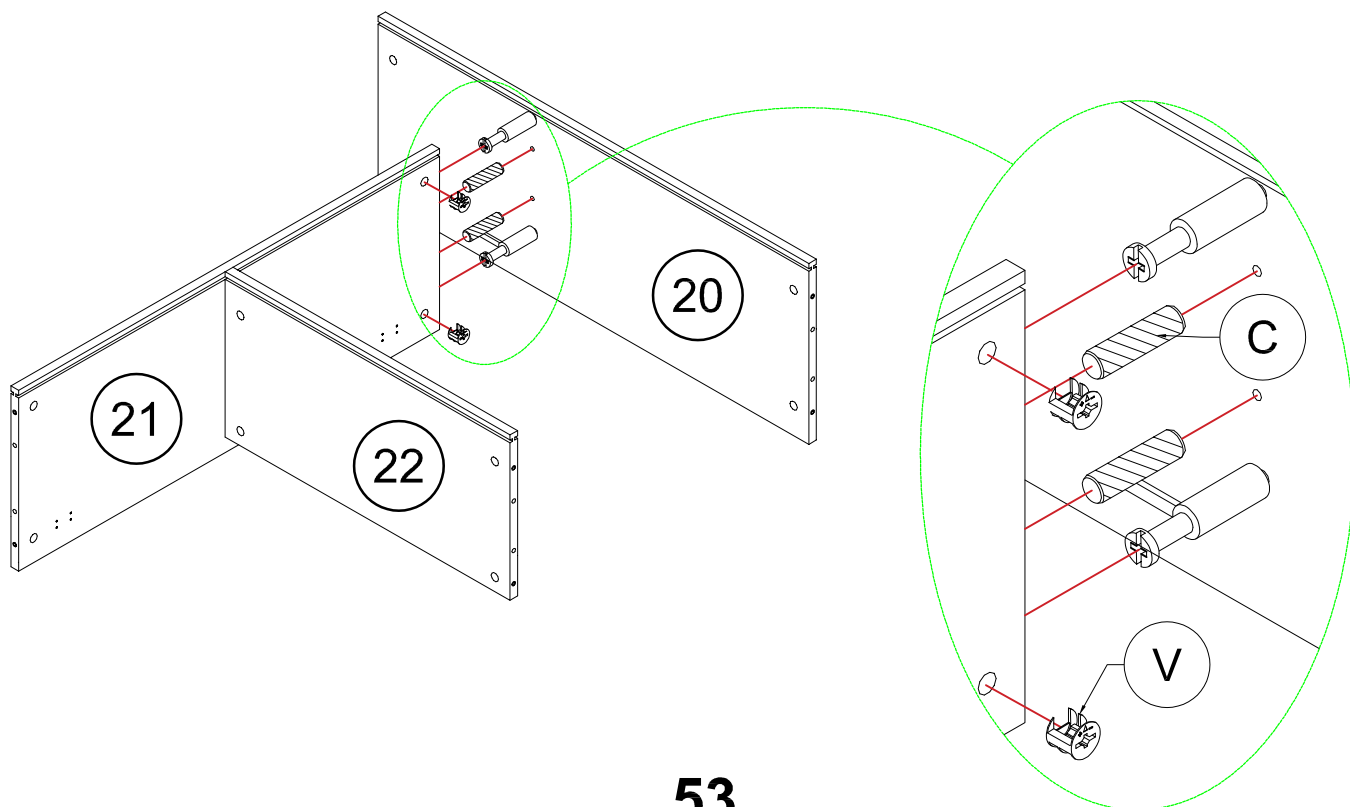


2pcs

V

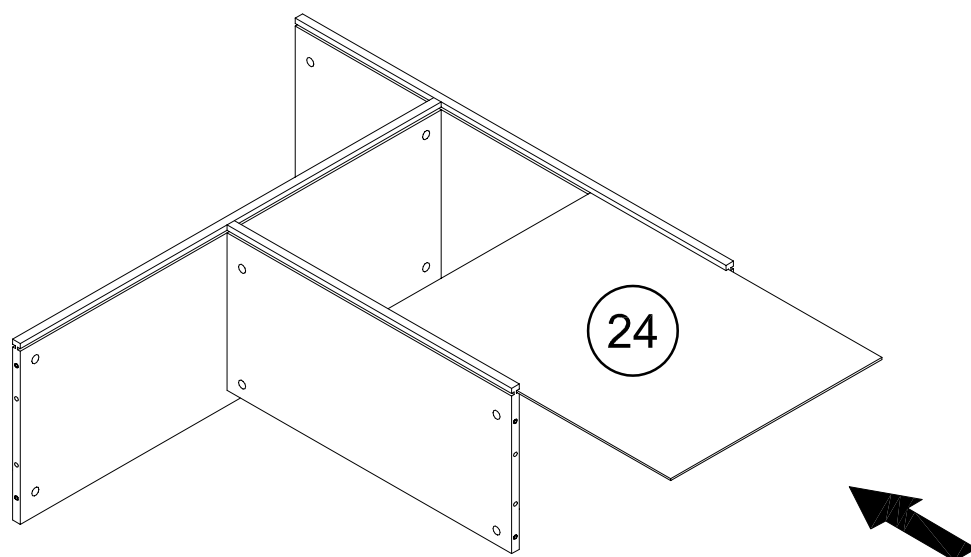


2pcs



STEP 37: Following below illustration:

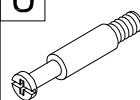
ÉTAPE 37: Illustration ci-dessous :



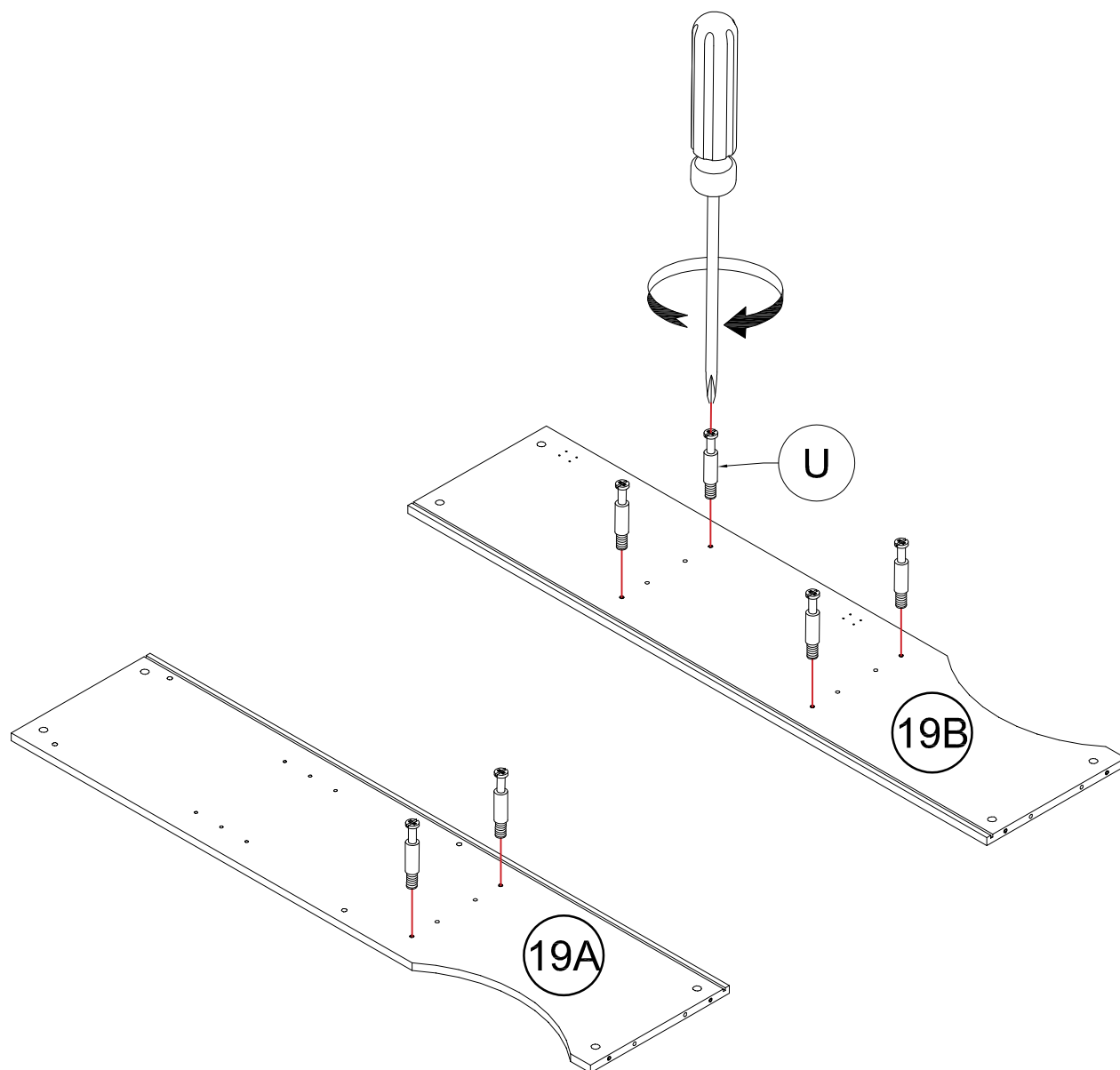
STEP 38: Following below illustration:

ÉTAPE 38: Illustration ci-dessous :

U

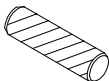



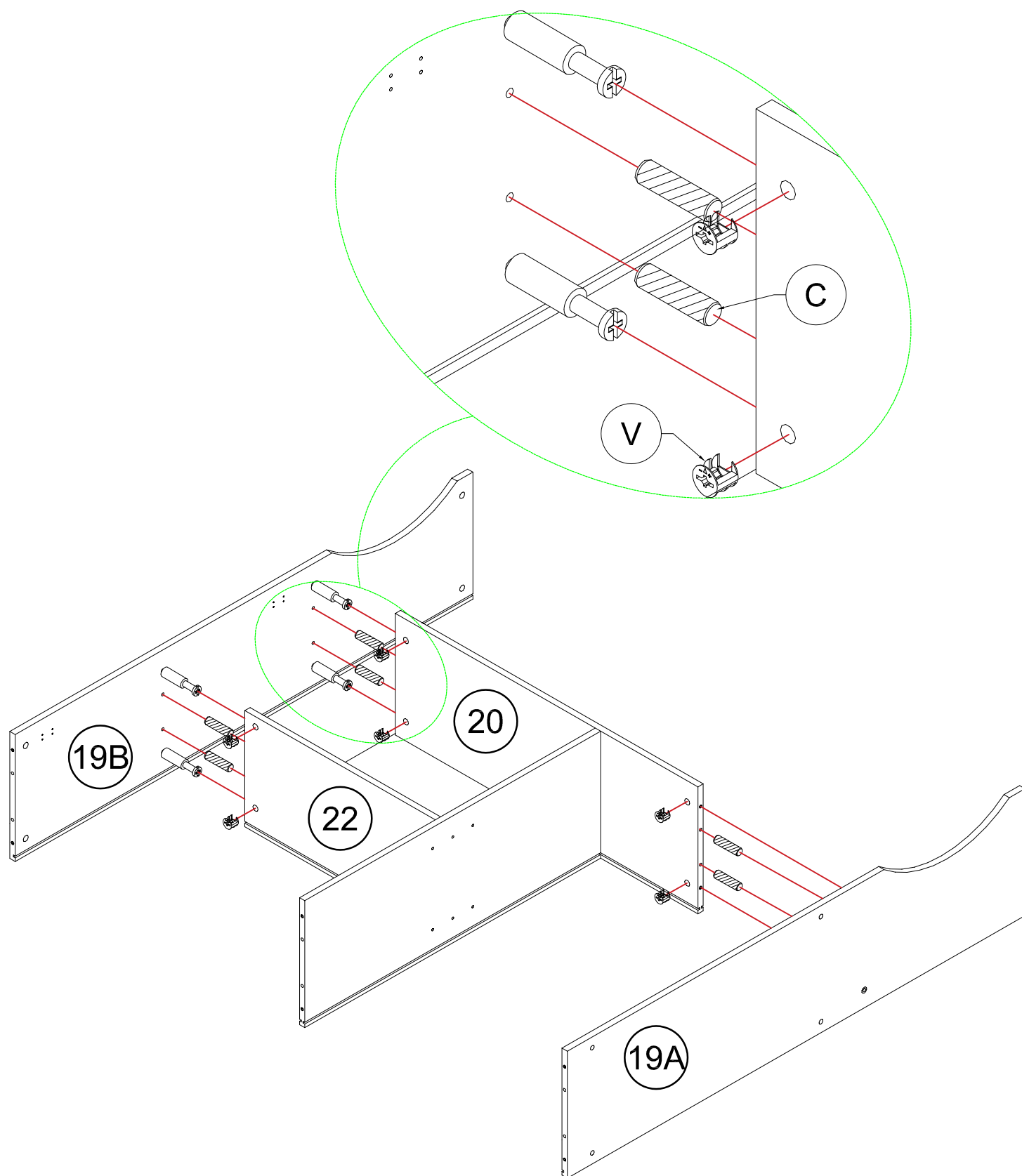
6pcs



STEP 39: Following below illustration:

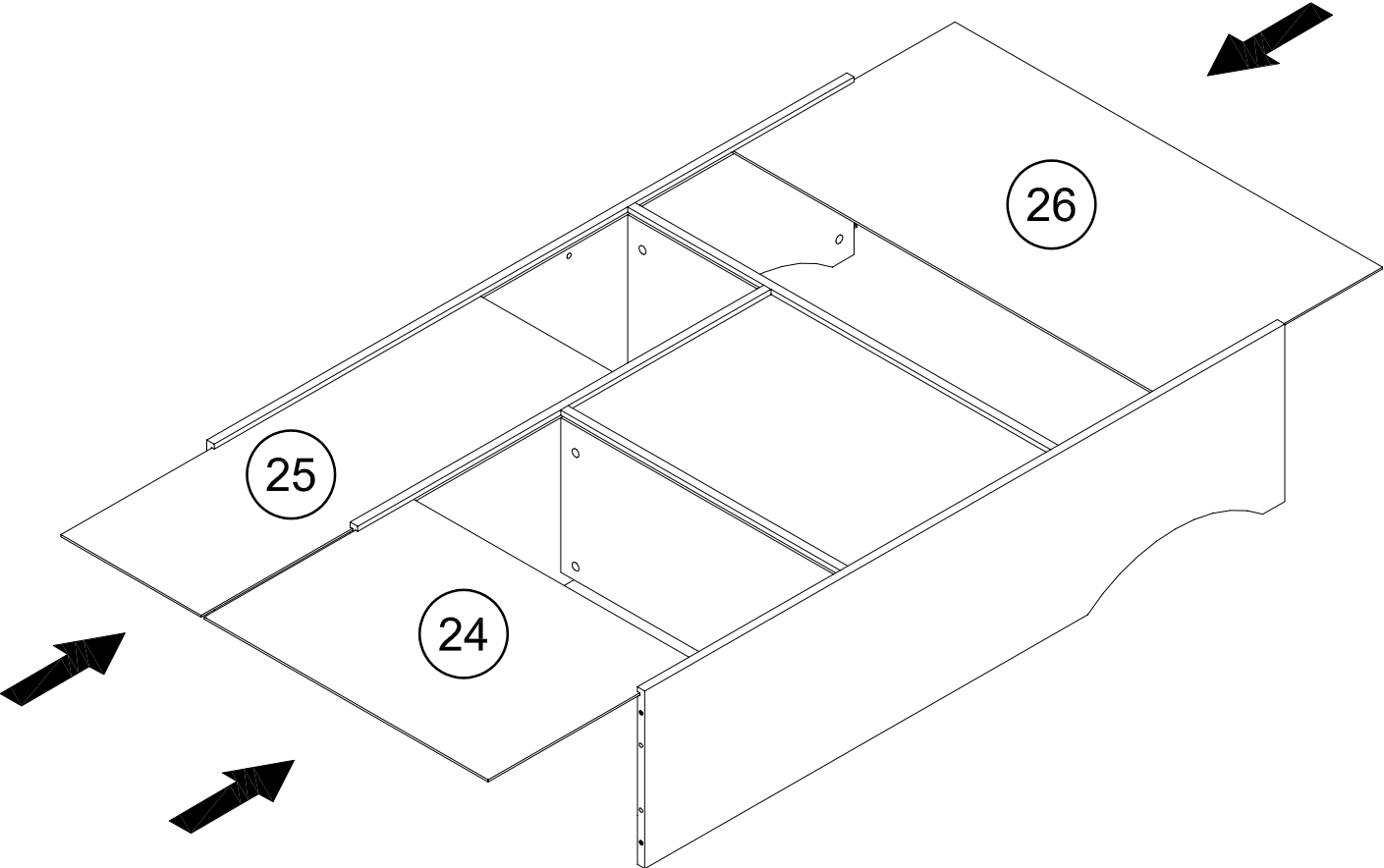
ÉTAPE 39: Illustration ci-dessous :

C 	V 
6pcs	6pcs



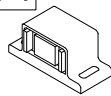
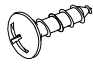
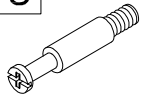
STEP 40: Following below illustration:

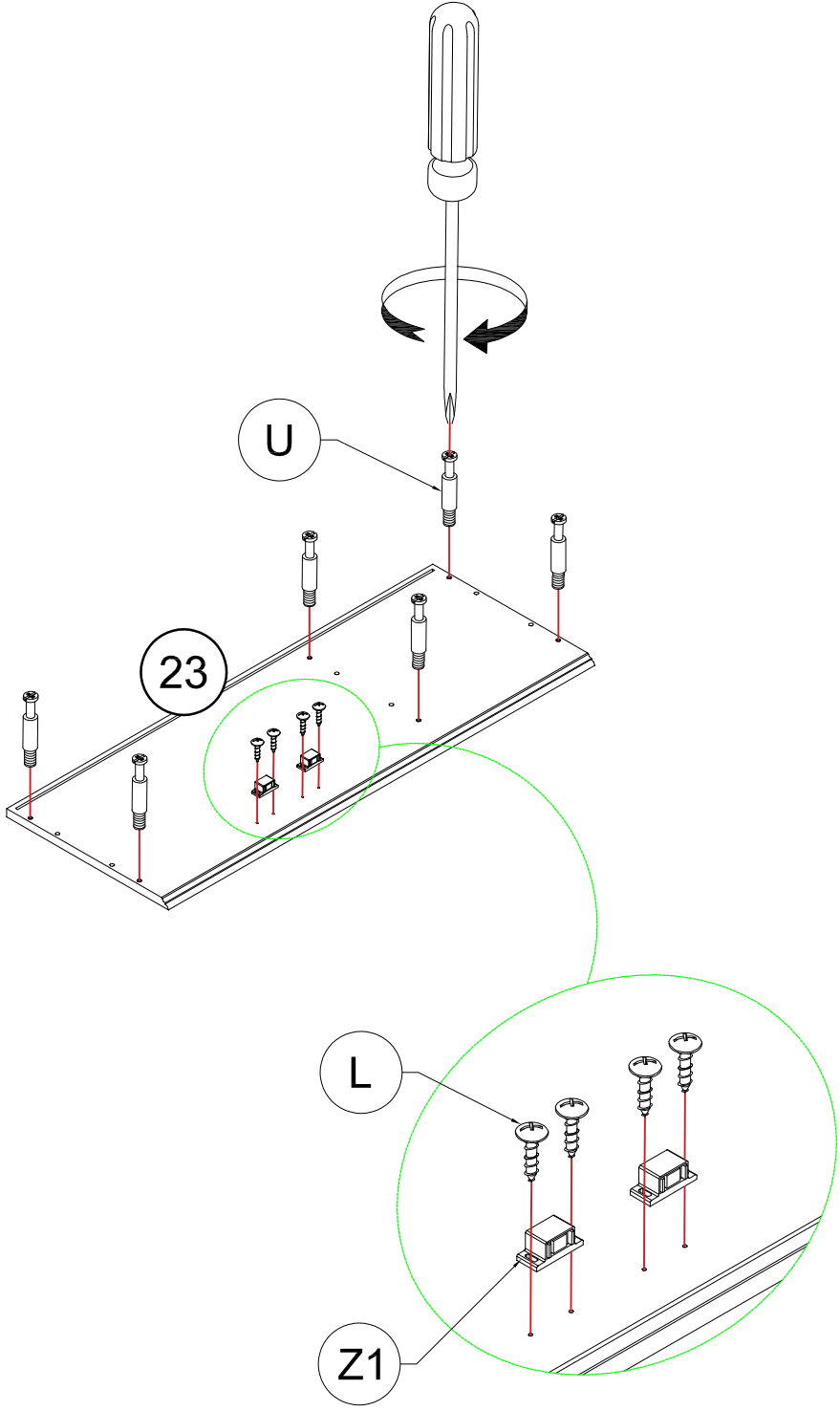
ÉTAPE 40: Illustration ci-dessous :



STEP 41: Following below illustration:

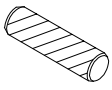

ÉTAPE 41: Illustration ci-dessous :

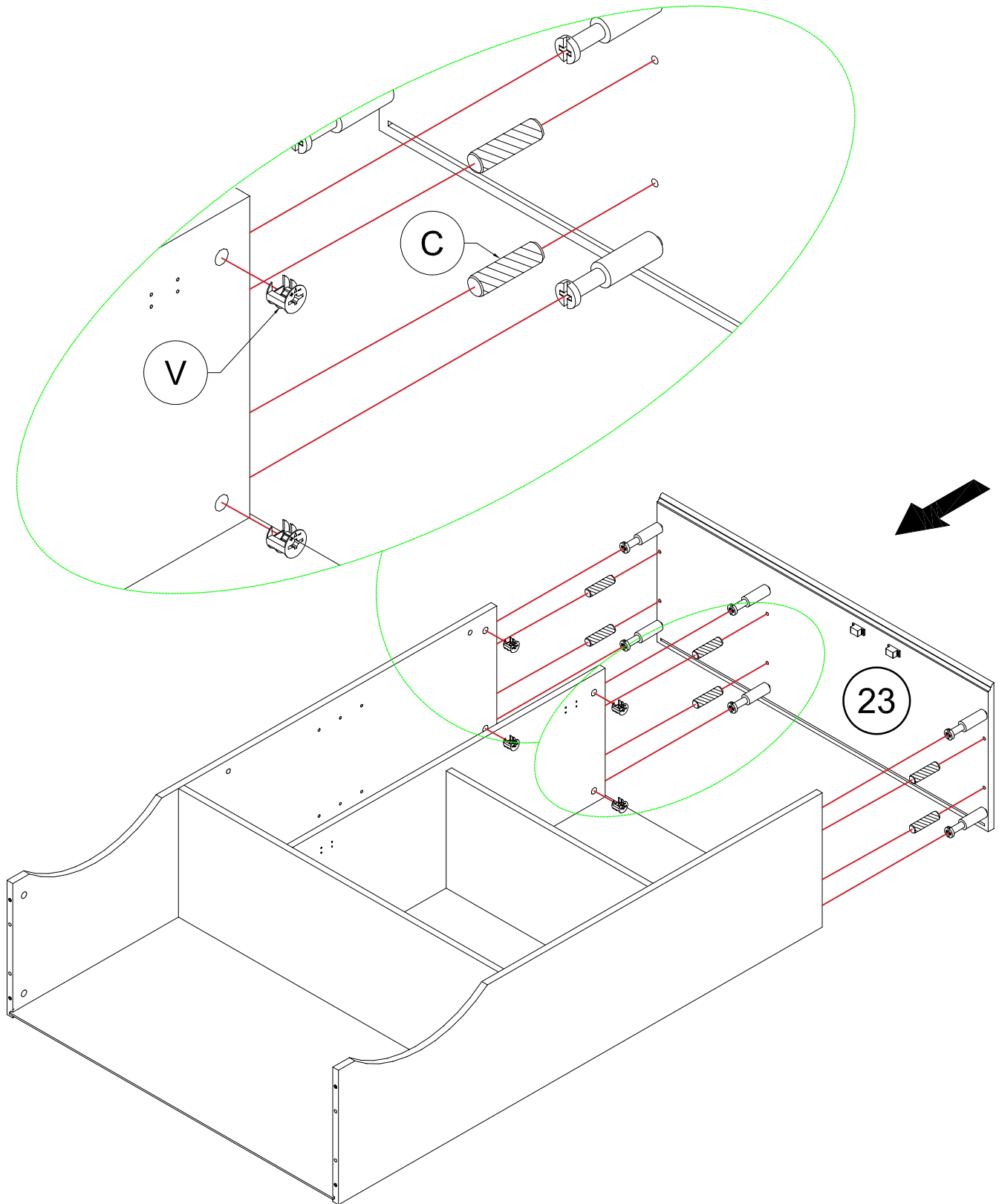
Z-1	L	U
		
2pcs	4pcs	6pcs



STEP 42: Following below illustration:

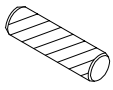

ÉTAPE 42: Illustration ci-dessous :

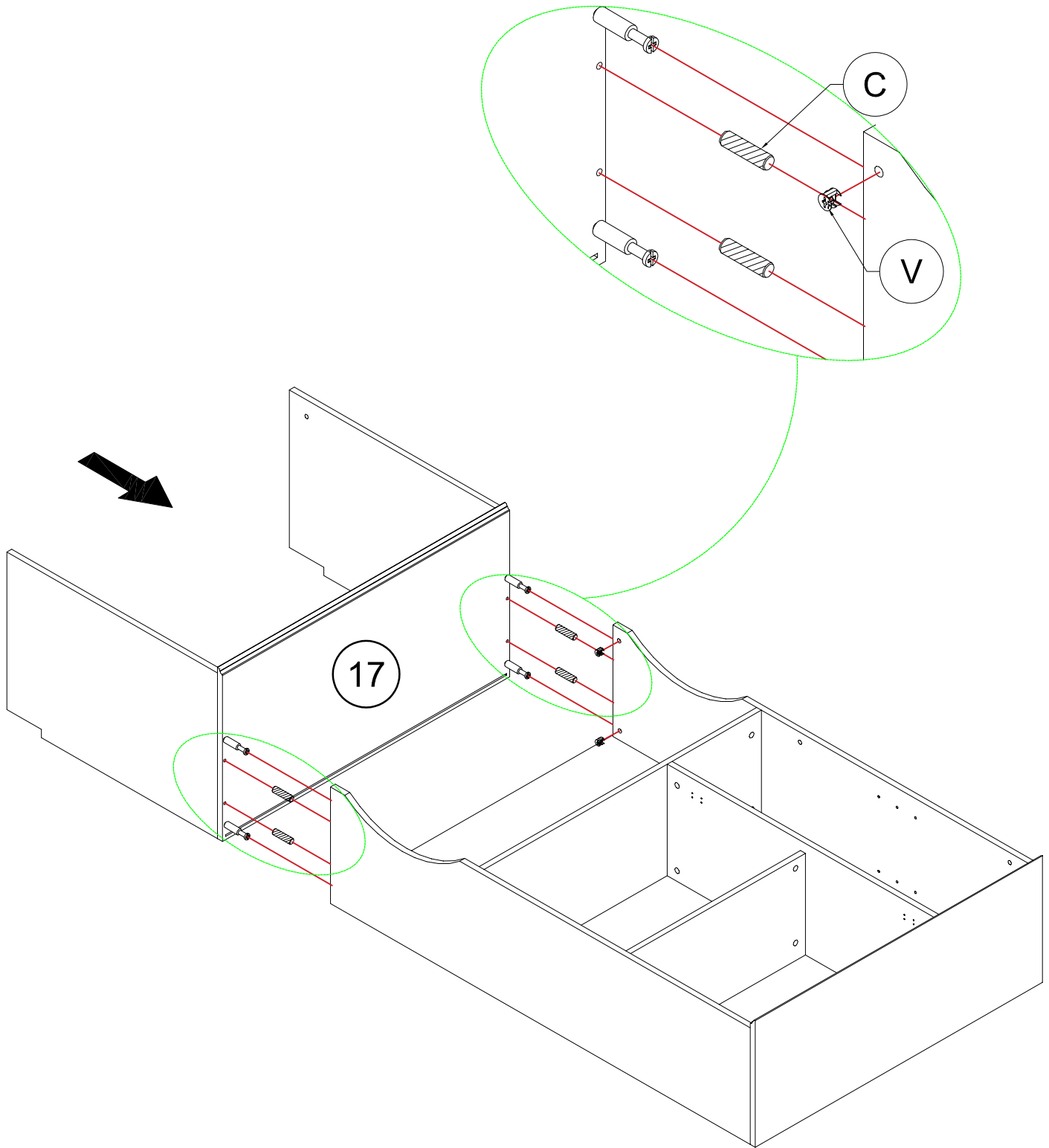
C 	V 
6pcs	6pcs



STEP 43: Following below illustration:

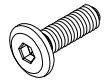
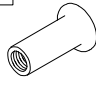
ÉTAPE 43: Illustration ci-dessous :

C 	V 
4pcs	4pcs



STEP 44: Following below illustration:

ÉTAPE 44: Illustration ci-dessous :

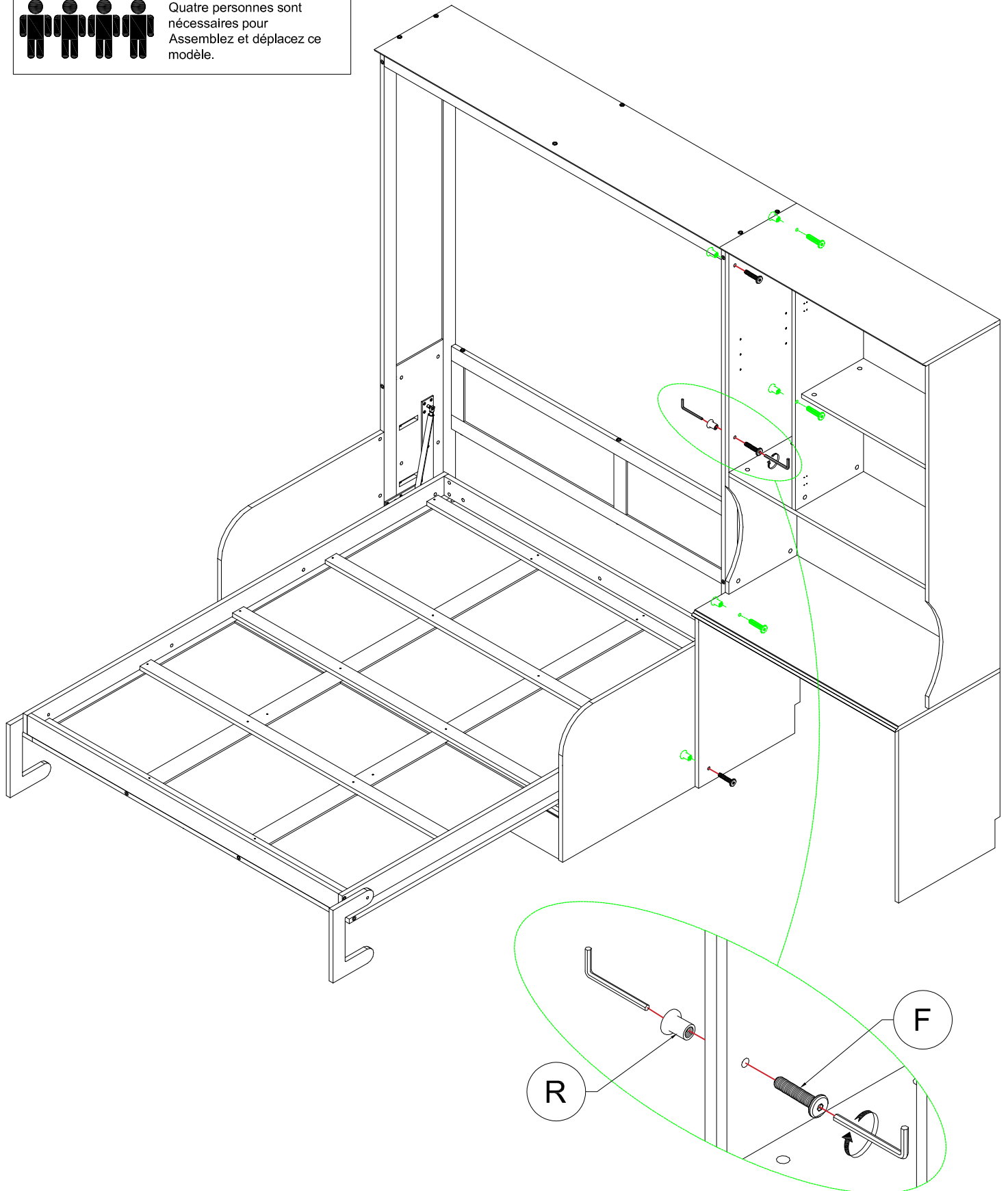
F	R
	
6pcs	6pcs



Four people are required to assemble and move this model.

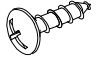
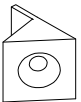


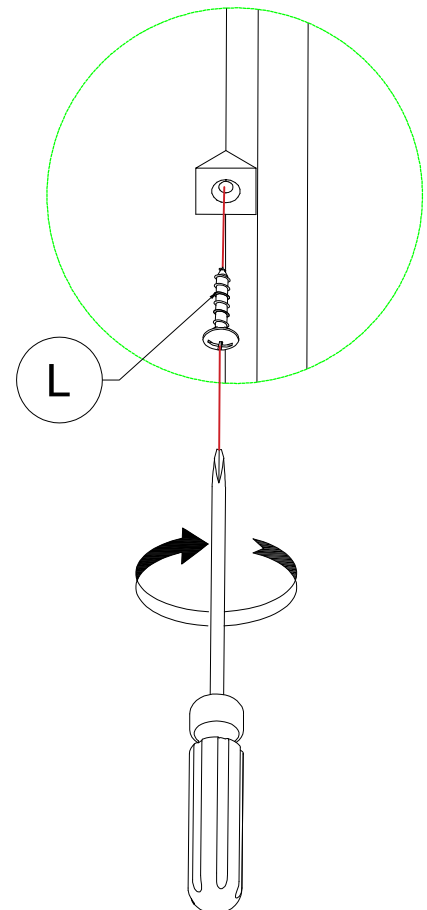
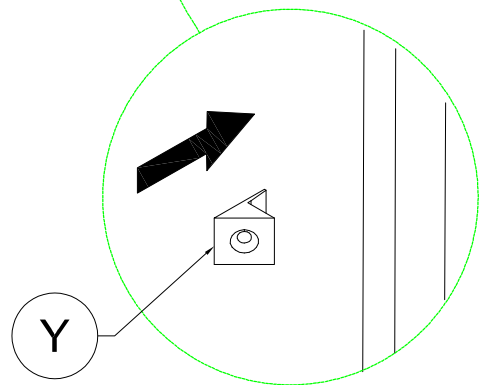
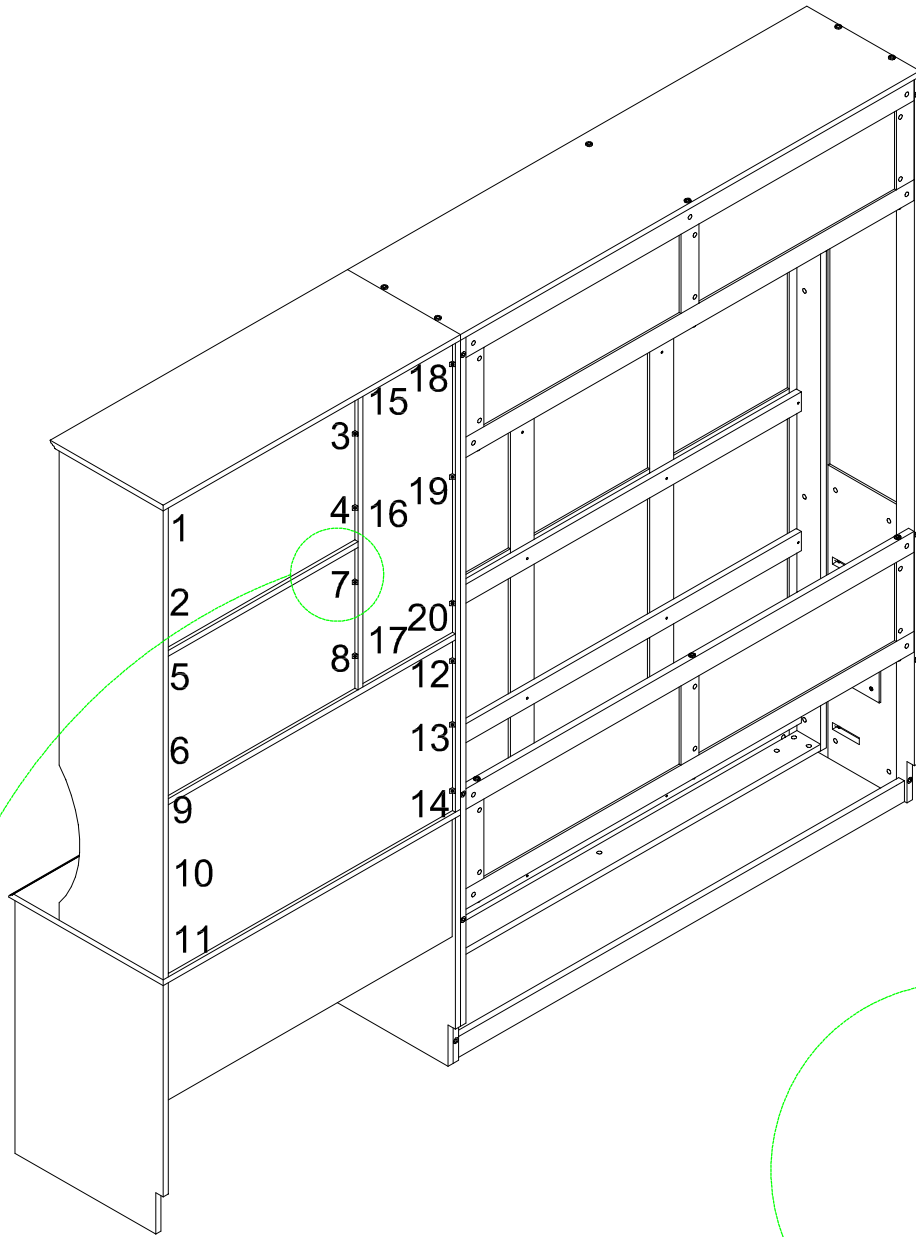
Quatre personnes sont nécessaires pour assembler et déplacer ce modèle.



STEP 45: Following below illustration:

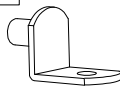
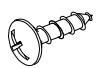
ÉTAPE 45: Illustration ci-dessous :

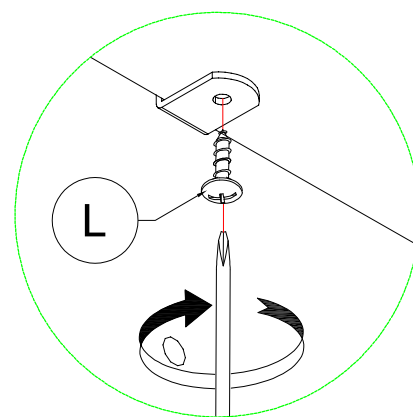
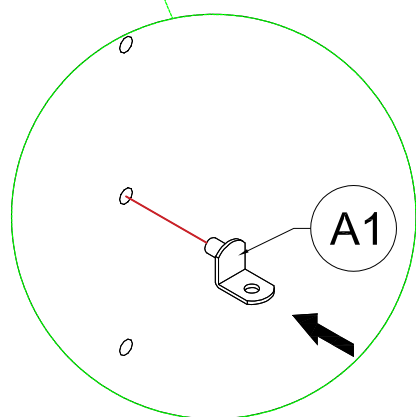
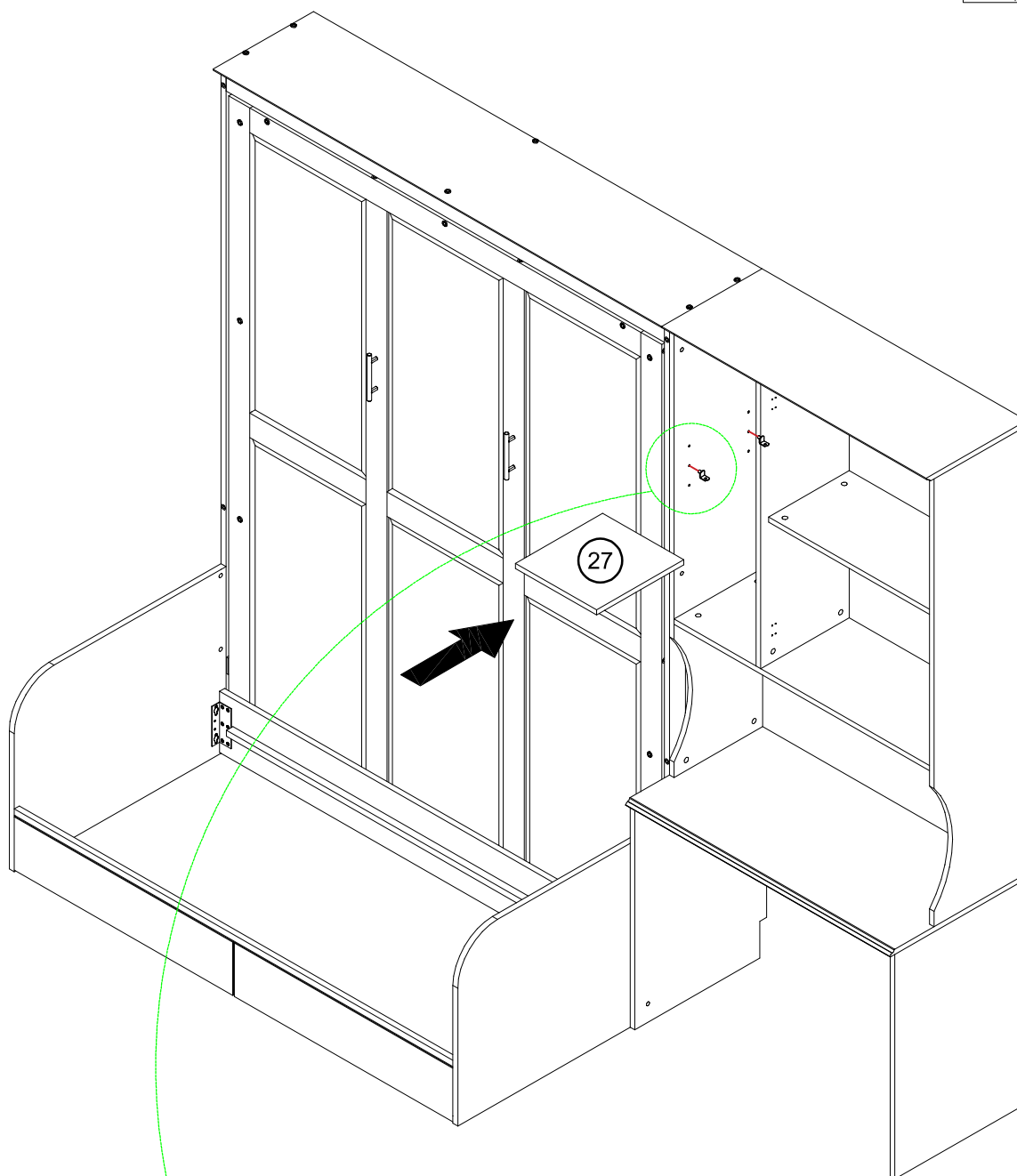
L	Y
	
20pcs	20pcs



STEP 46: Following below illustration:


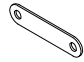
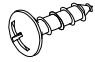

ÉTAPE 46: Illustration ci-dessous :

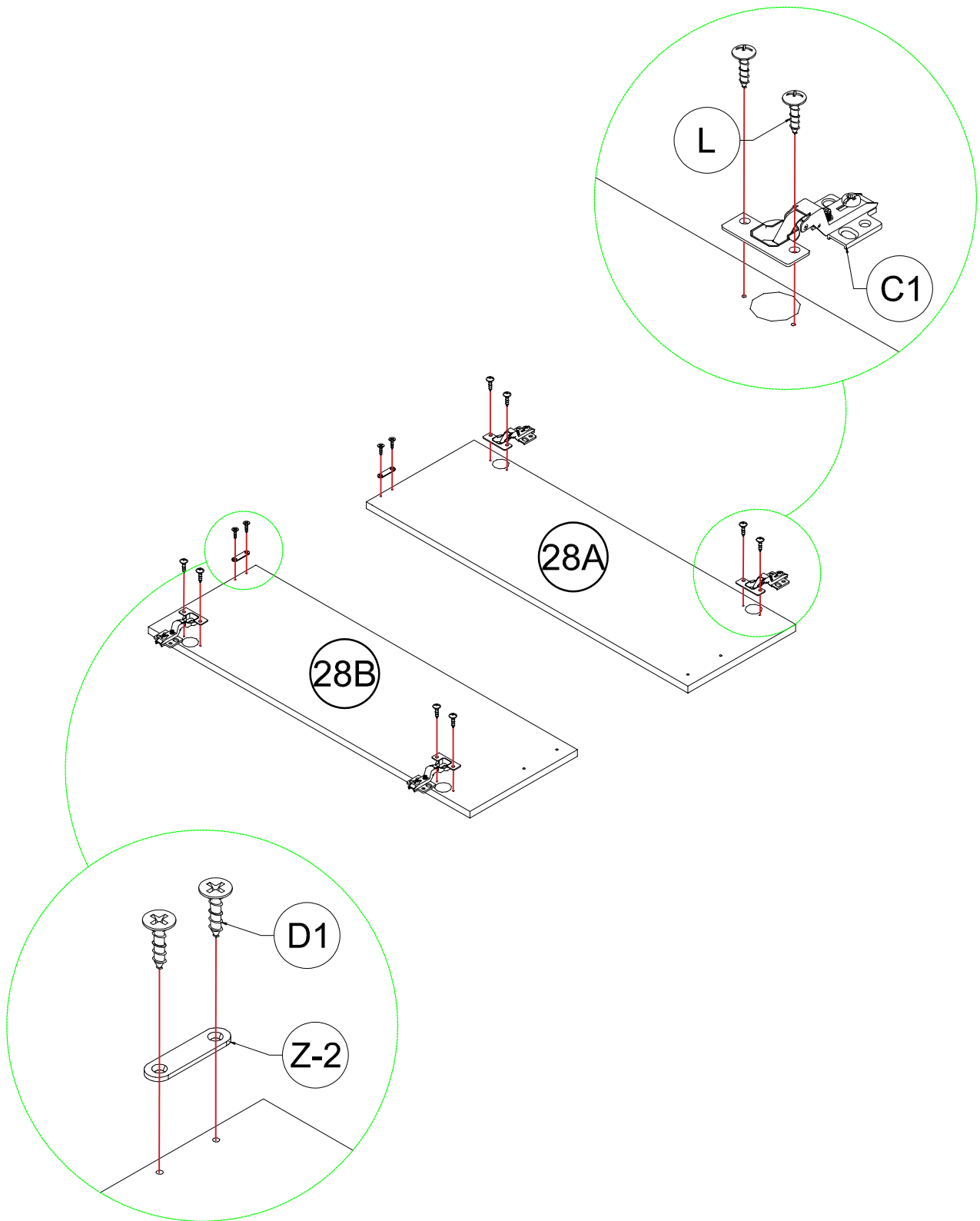
A1	L
	
4pcs	4pcs



STEP 47: Following below illustration:

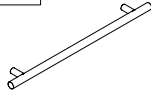

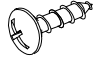
ÉTAPE 47: Illustration ci-dessous :

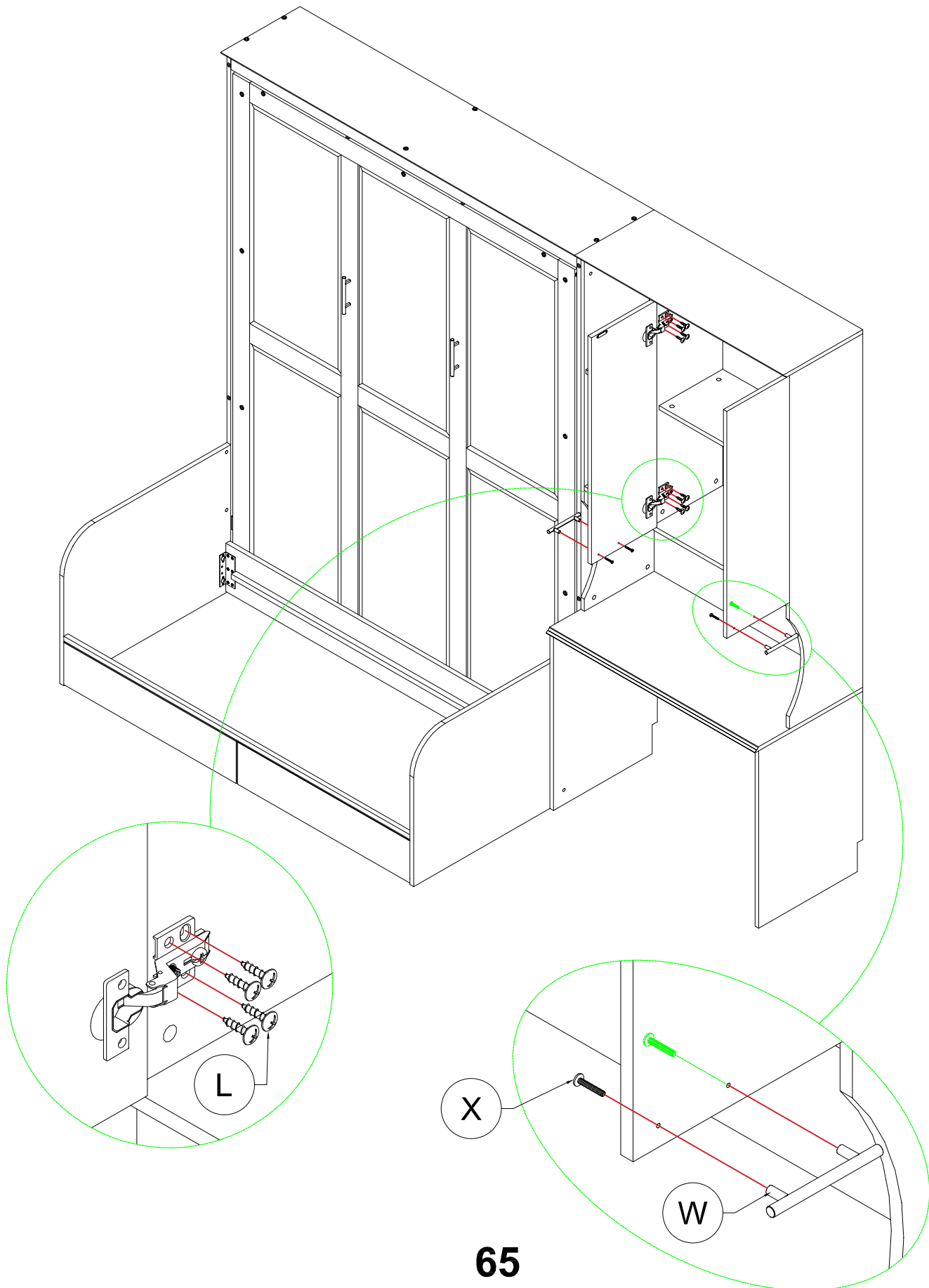
D1	Z-2	L	C1
			
4pcs	2pcs	8pcs	4pcs



STEP 48: Following below illustration:

ÉTAPE 48: Illustration ci-dessous :

W	X	L
		
2pcs	4pcs	16pcs



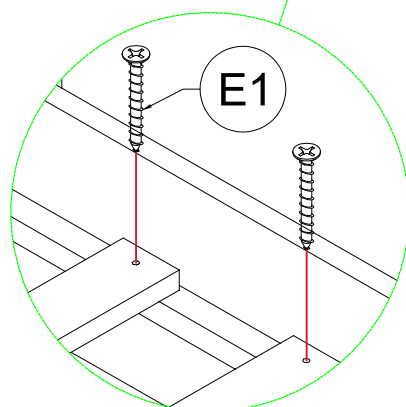
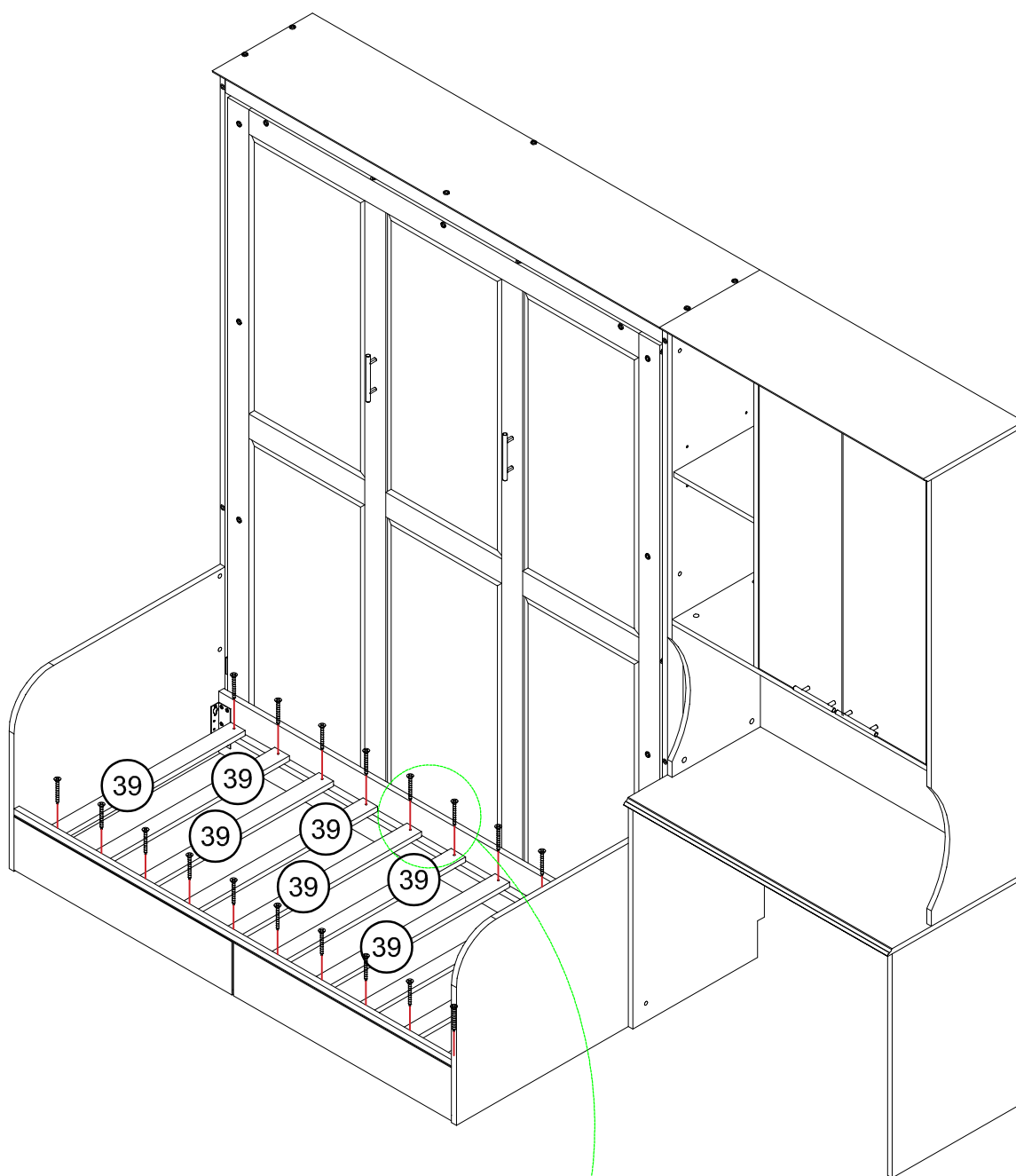
STEP 49: Following below illustration:

ÉTAPE 49: Illustration ci-dessous :

E-1

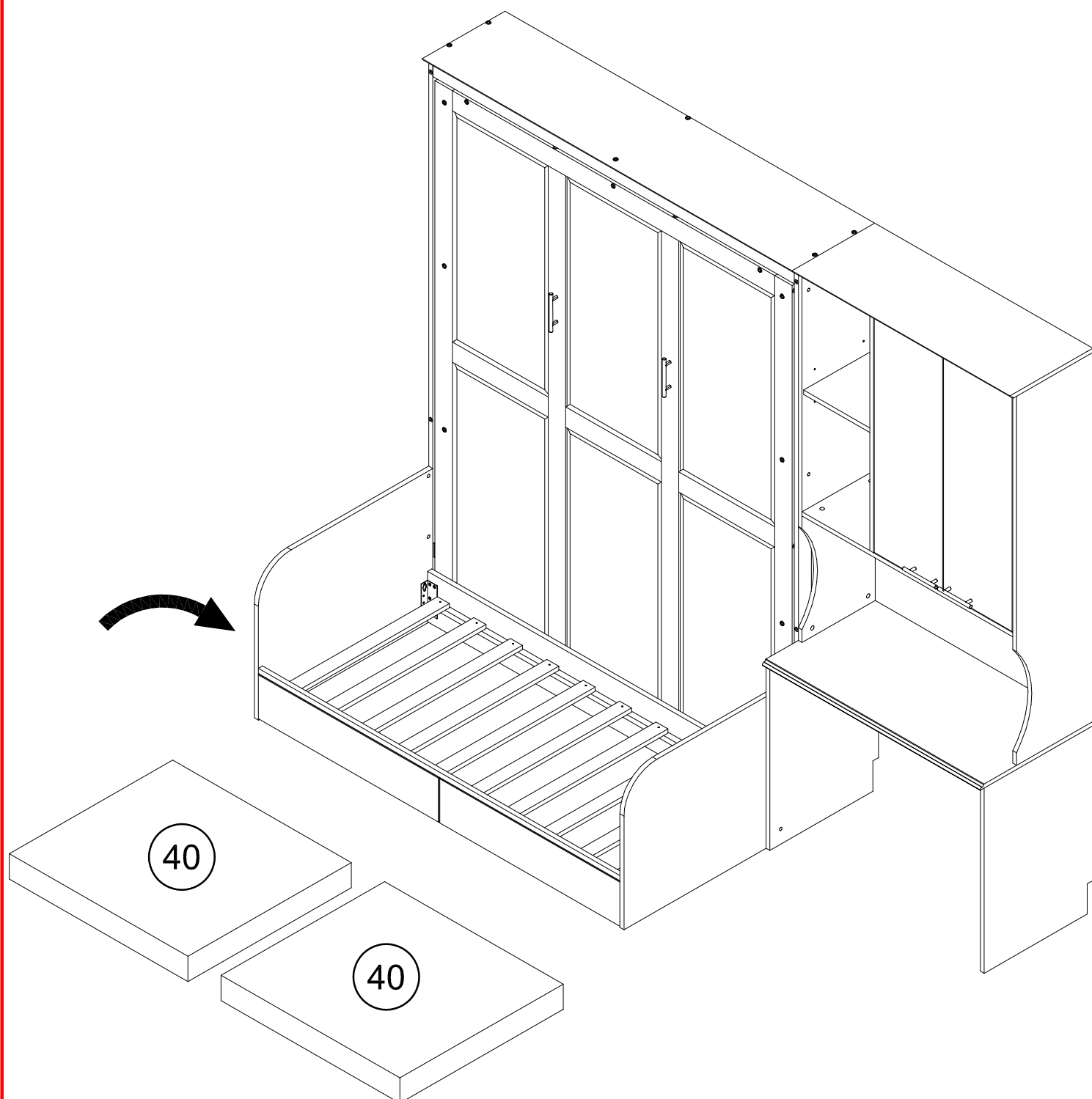


20pcs



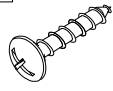
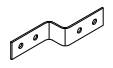
STEP 50: Following below illustration:

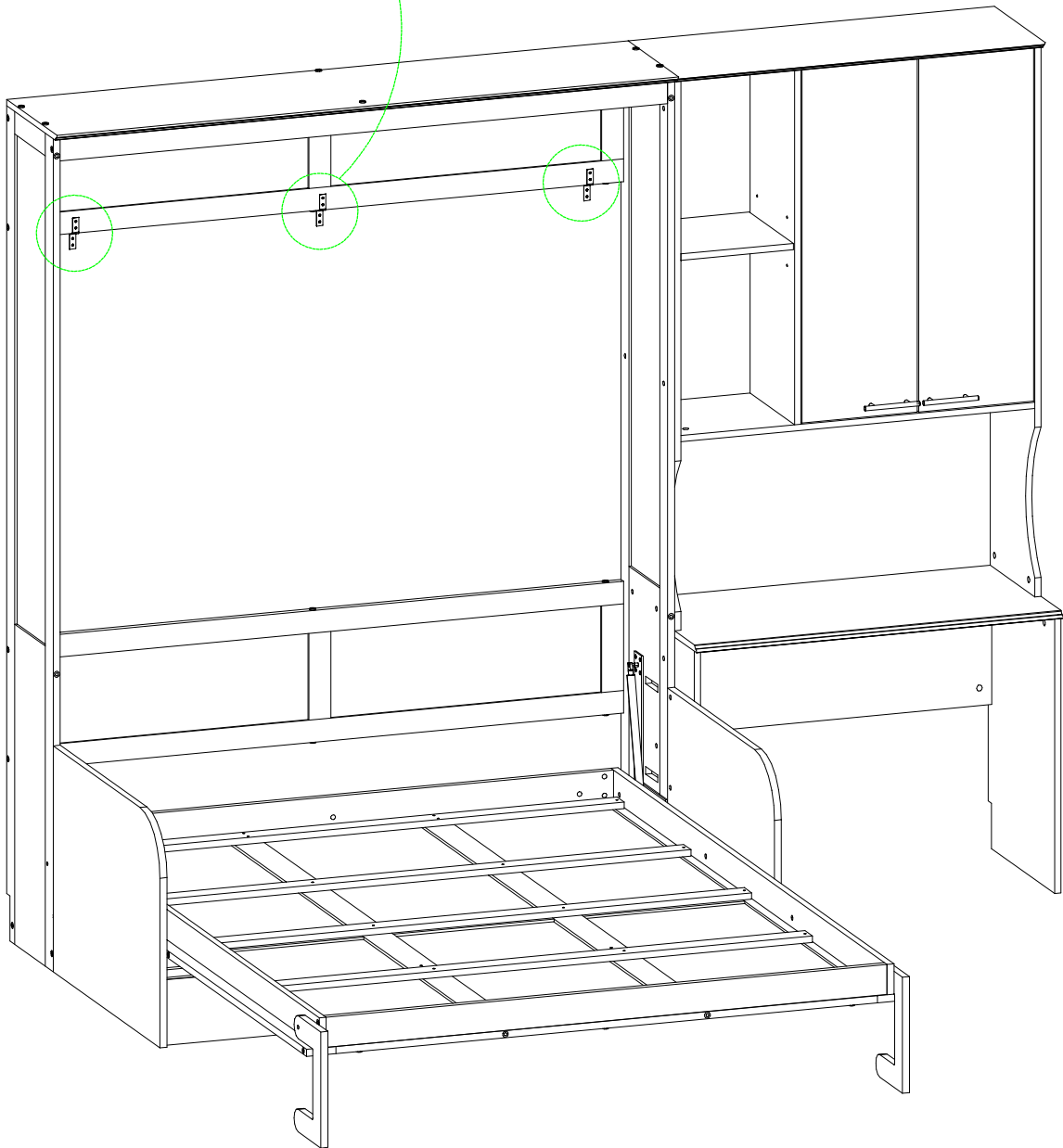
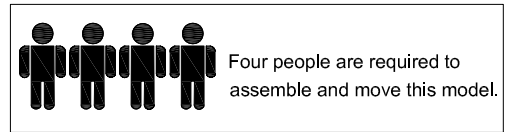
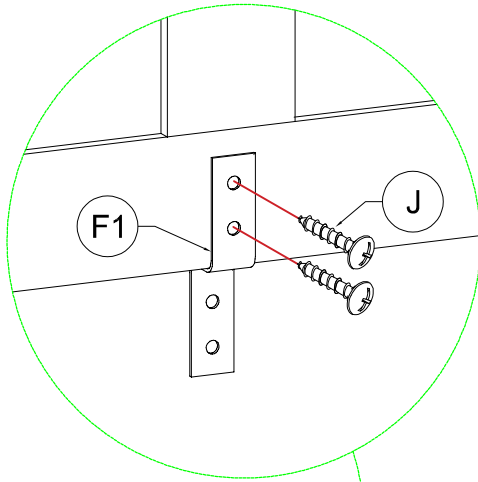
ÉTAPE 50: Illustration ci-dessous :



STEP 51: Following below illustration:

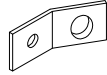

ÉTAPE 51: Illustration ci-dessous :


J 	F1 
6pcs	3pcs



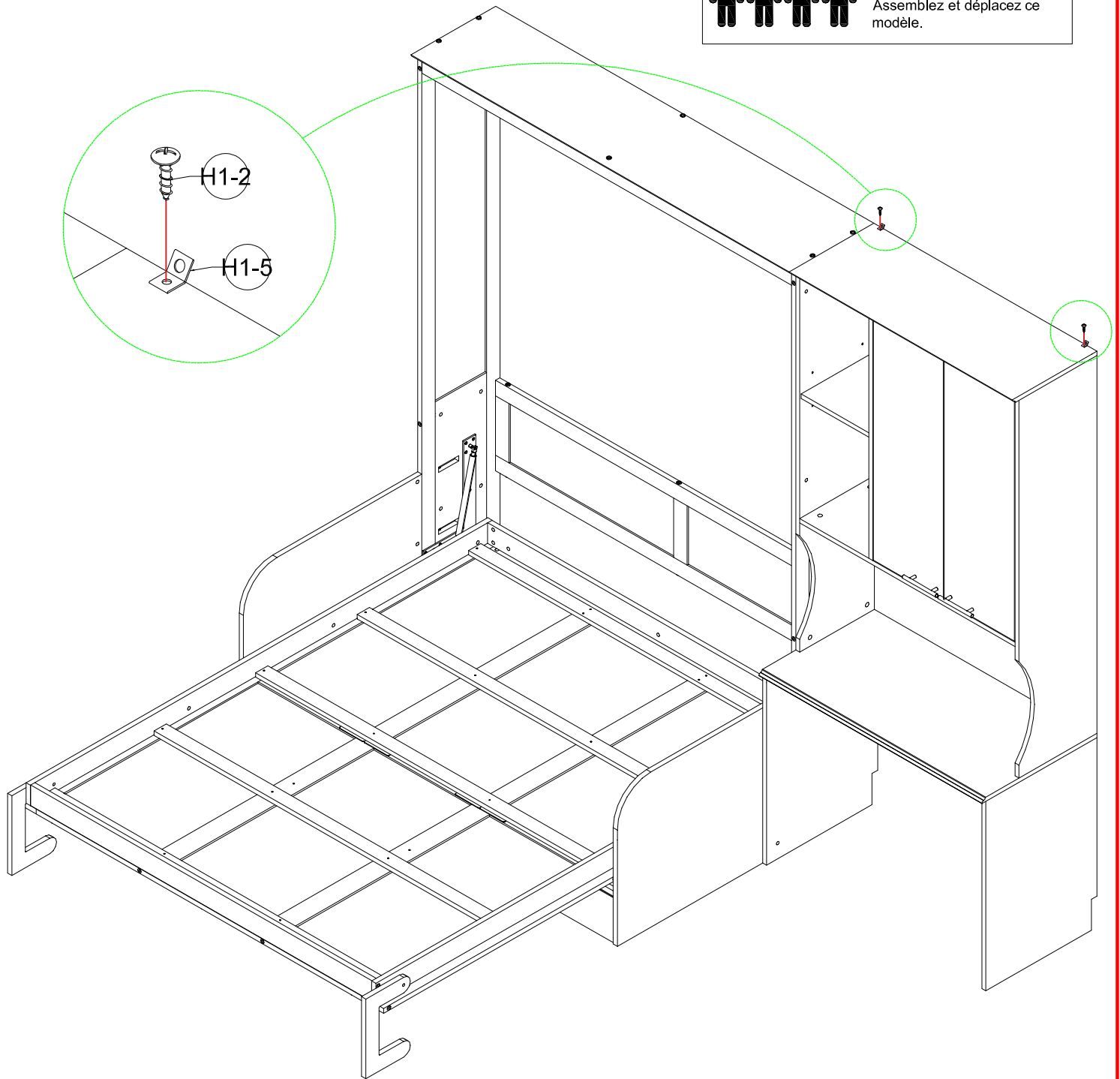
STEP 52: Following below illustration:

ÉTAPE 52: Illustration ci-dessous :

H1-2	H1-5
	
2pcs	2pcs

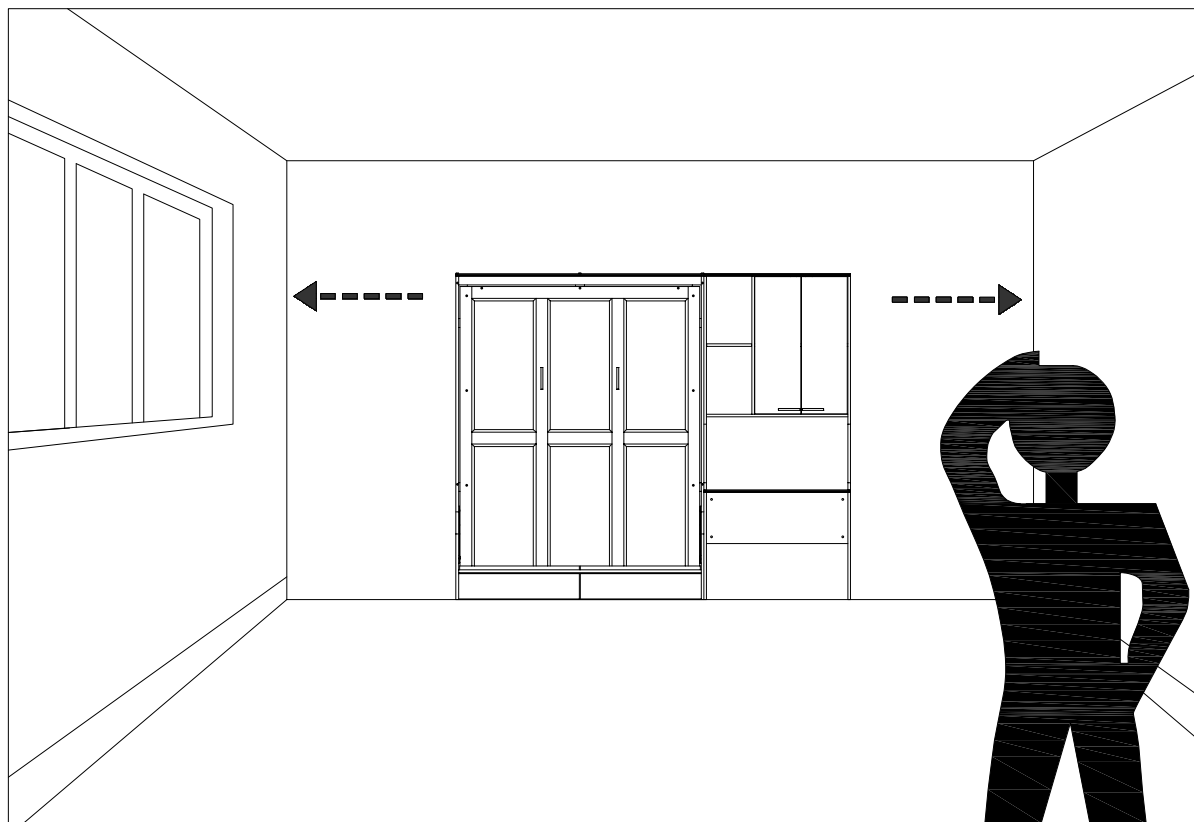
 Four people are required to assemble and move this model.

 Quatre personnes sont nécessaires pour assembler et déplacer ce modèle.



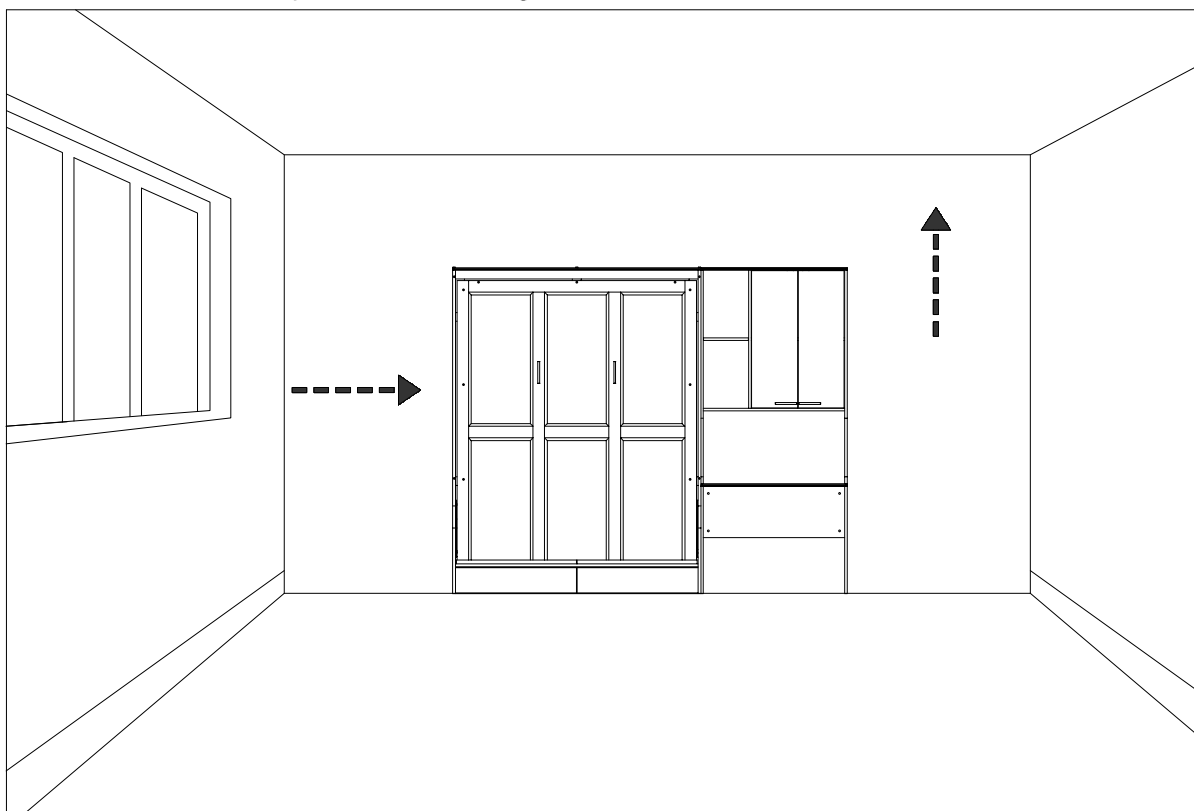
1- Determine the position of the bed in the room.

1- Déterminez la position du lit dans la chambre.



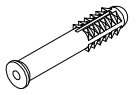
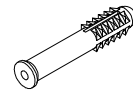
2- Put the bed back in its place. Please keep it vertical and horizontal.

2- Remettez le lit à sa place. Veuillez le garder vertical et horizontal.



B1-2

H1-3

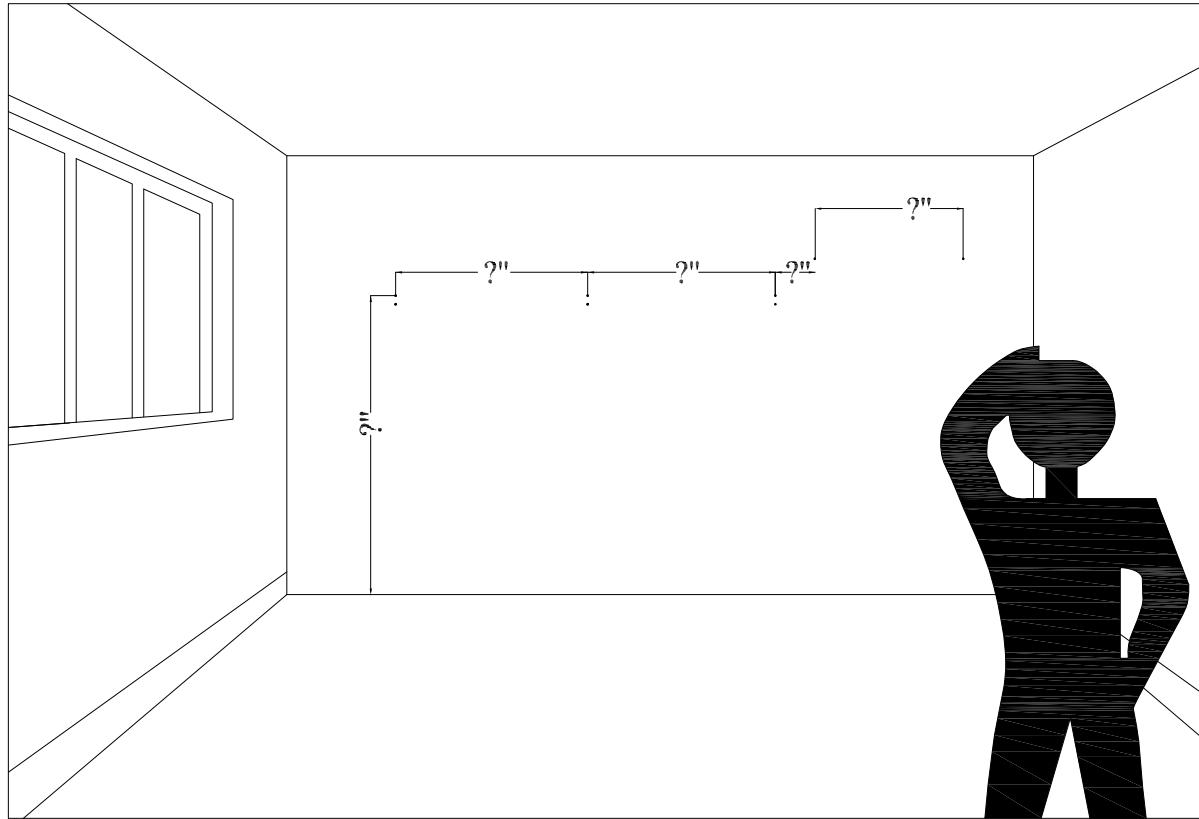


6pcs

2pcs

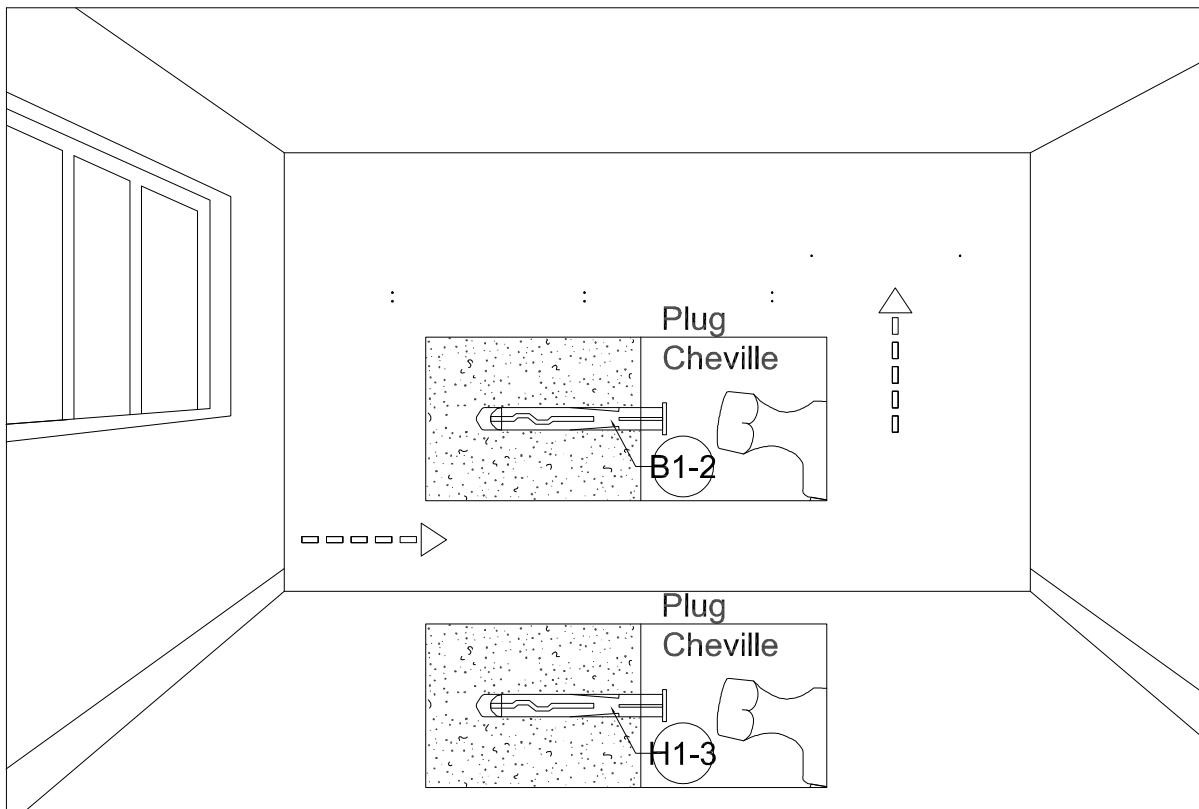
3- Mark the points drill holes according to actual products.

3- Marquez les points de perçage en fonction des produits réels.




4- Drill the positions marked in STEP 3 and secure the plug.

4- Percez les positons marquées à ÉTAPE 3 et fixez la cheville.



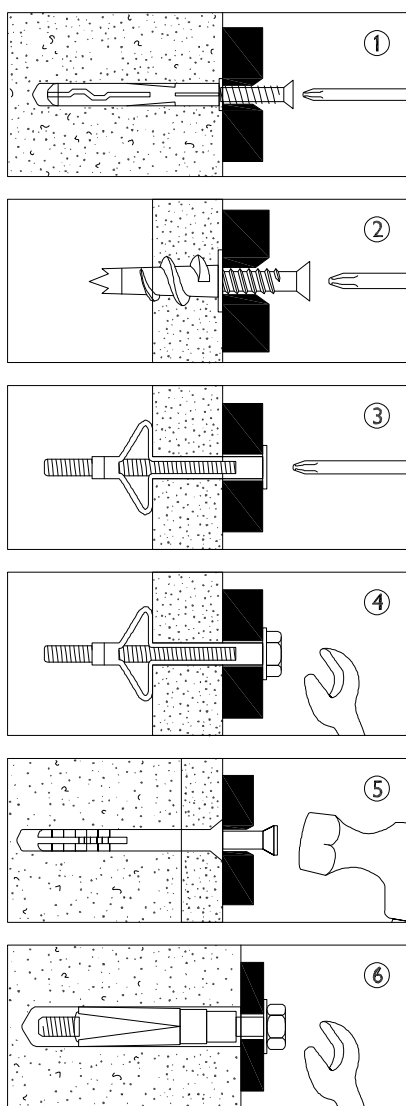
Wall attached item only:

A guide to wall mounting and fixings

 **Warning**
Wall fixing screws are not included, since different wall materials require different types of screws / fixing. Please ensure you use the correct screws / fixings for your type of walls and seek professional advice if you are not sure.

Failure of the product due to incorrect fixings is the responsibility of the installer.

Important: When drilling into the walls always check that there are no hidden wires or pipes etc.



Types of walls

You can use one of the following types of wall plug if your walls are made of brick, breezeblock, concrete, stone or wood.

1. Genral Purpose wall plug

Generally aerated blocks should not be used to support heavy loads, use a specialist fitting in this case. For light loads, general - purpose wall plugs can be used.

2. Plasterboard wall plug

For use when attaching light loads on to plasterboard partitions.

3. Cavity Fixing wall plug

For use with plasterboard partitions or hollow wooden doors.

4. Cavity Fixing - Heavy Duty wall plug

For use when fitting or supporting heavy loads such as shelving, wall cabinets and coat racks.

5. Hammer Fixing wall plug

For use with walls stuck with plasterboard. The hammer fixing allows it to be fixed to the wall rather than the plasterboard. Always check the fixing is secure to the retaining wall.

6. Shield Anchor wall plug - Heavy loads

For use with heavier load such as TV and HI-Fi speakers and satellite dishes etc.



Care and maintenance

Safety: Periodically check all fittings and wall fixings to ensure they have not come loose and retighten as necessary.

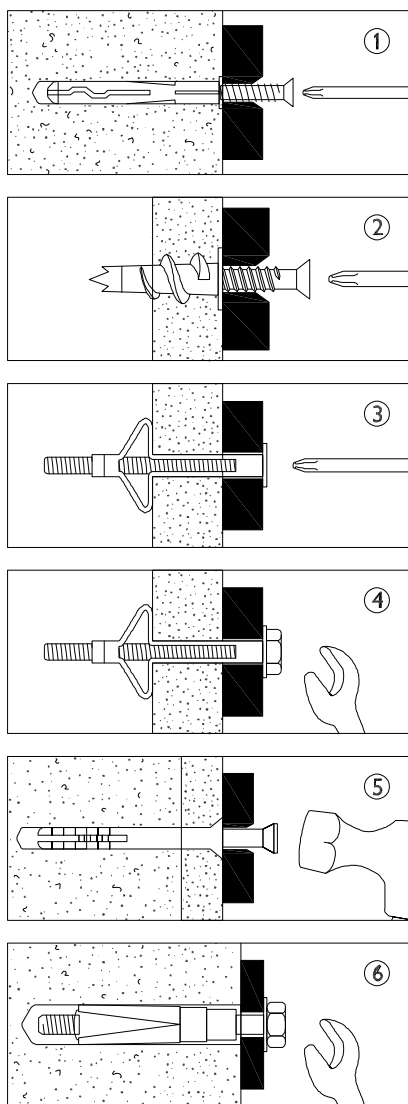
Article à fixer au mur uniquement :

Guide de montage mural et de fixation

⚠ Attention
Les vis de fixation murale ne sont pas incluses, car différents matériaux de mur nécessitent différents types de vis / fixations.
Veuillez vous assurer d'utiliser les vis / fixations correctes pour votre type de murs et demander conseil à un professionnel si vous n'êtes pas sûr.

L'échec du produit en raison de fixations incorrectes est de la responsabilité de l'installateur.

Important : Lorsque vous percez dans les murs, vérifiez toujours s'il n'y a pas de fils électriques ou de tuyaux cachés, etc



Types de murs

Vous pouvez utiliser l'un des types de cheville murale suivants si vos murs sont en brique, parpaing, béton, pierre ou bois.

1. Cheville murale polyvalente

En général, les blocs aérés ne devraient pas être utilisés pour supporter des charges lourdes. Dans ce cas, utilisez un dispositif de fixation spécialisé. Pour les charges légères, des chevilles murales polyvalentes peuvent être utilisées.

2. Cheville pour plaque de plâtre

Pour une utilisation lors de la fixation de charges légères sur des cloisons en placoplâtre

3. Cheville de fixation pour cavité

À utiliser avec des cloisons en placoplâtre ou des portes en bois creuses.

4. Cheville de fixation pour cavité - à usage intensif

À utiliser lors de l'installation ou du support de charges lourdes telles que des étagères, des armoires murales et des porte-manteaux.

5. Cheville de fixation à marteau

À utiliser avec des murs recouverts de placoplâtre. La fixation à marteau permet de la fixer au mur plutôt qu'au placoplâtre. Vérifiez toujours que la fixation est bien sécurisée au mur porteur.

6. Cheville à ancre de protection - Charges lourdes

À utiliser avec des charges plus lourdes telles que des téléviseurs, des enceintes hi-fi et des antennes satellites, etc.

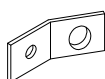




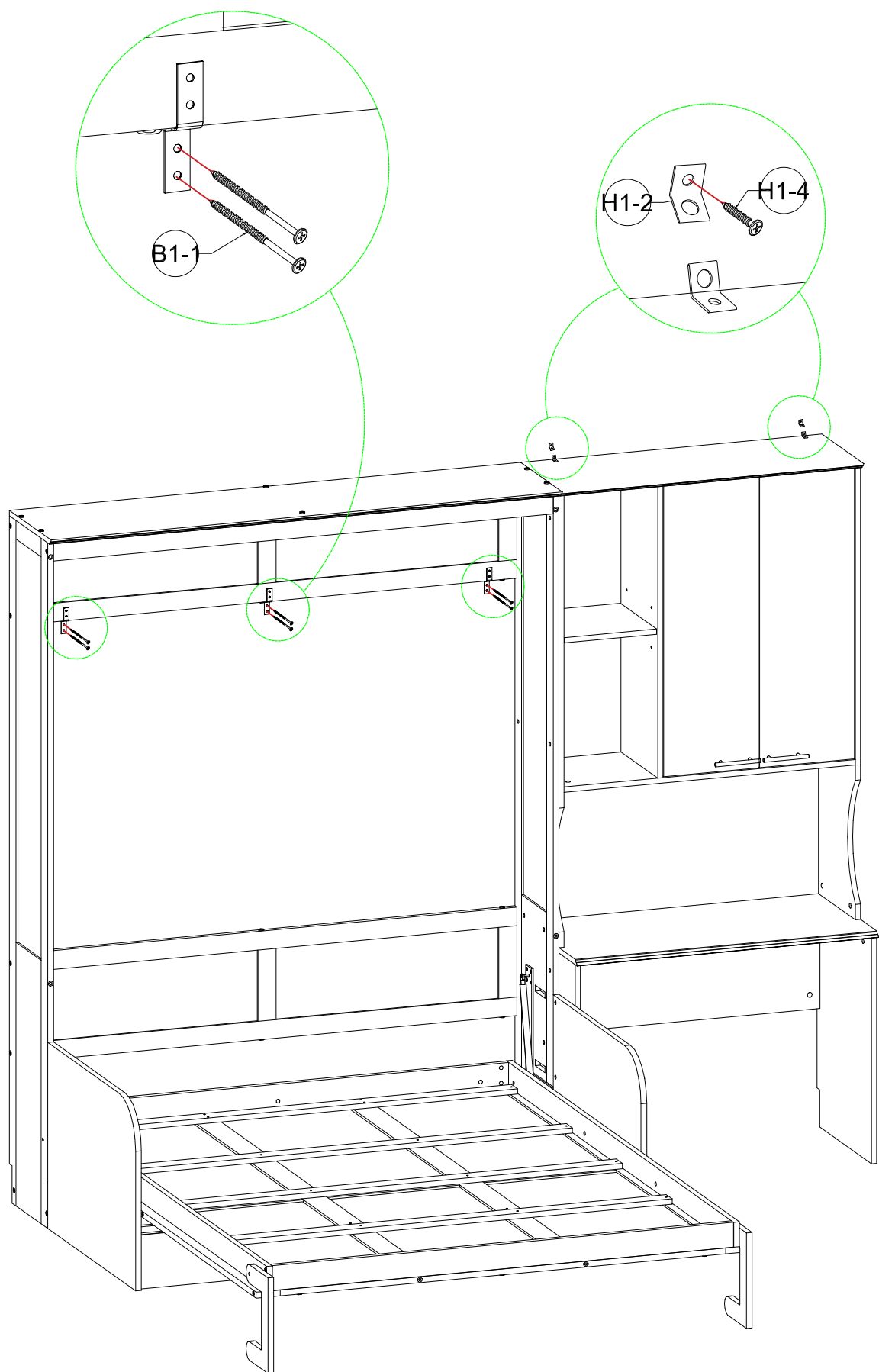
Entretien et maintenance

Sécurité: Périodiquement, vérifiez tous les raccords et fixations murales pour vous assurer qu'ils ne se sont pas desserrés et resserrez-les si nécessaire.

STEP 53: Following below illustration:

ÉTAPE 53: Illustration ci-dessous :

H1-2	H1-4	B1-1
		
2pcs	2pcs	6pcs



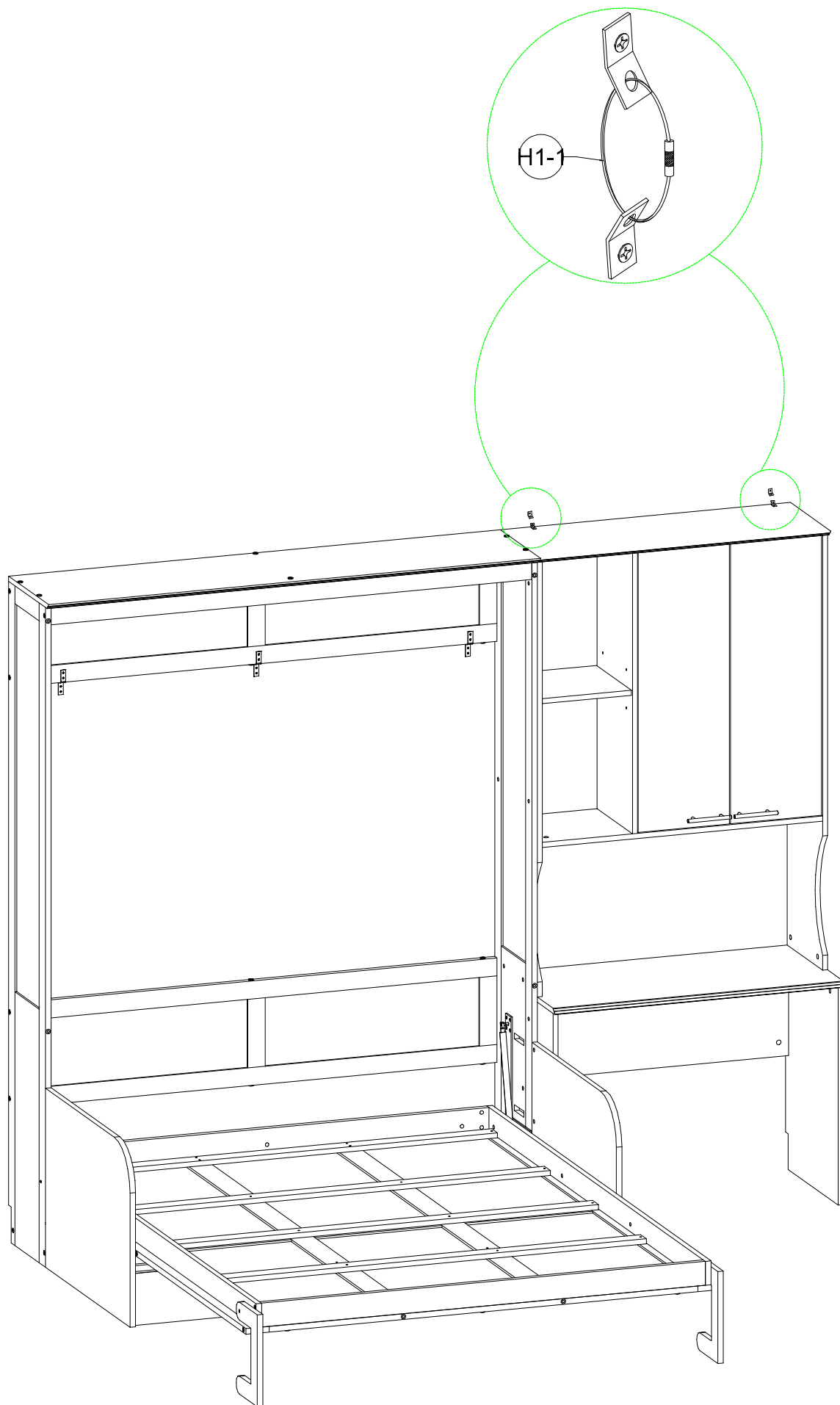
STEP 54: Following below illustration:

ÉTAPE 54: Illustration ci-dessous :

H1-1

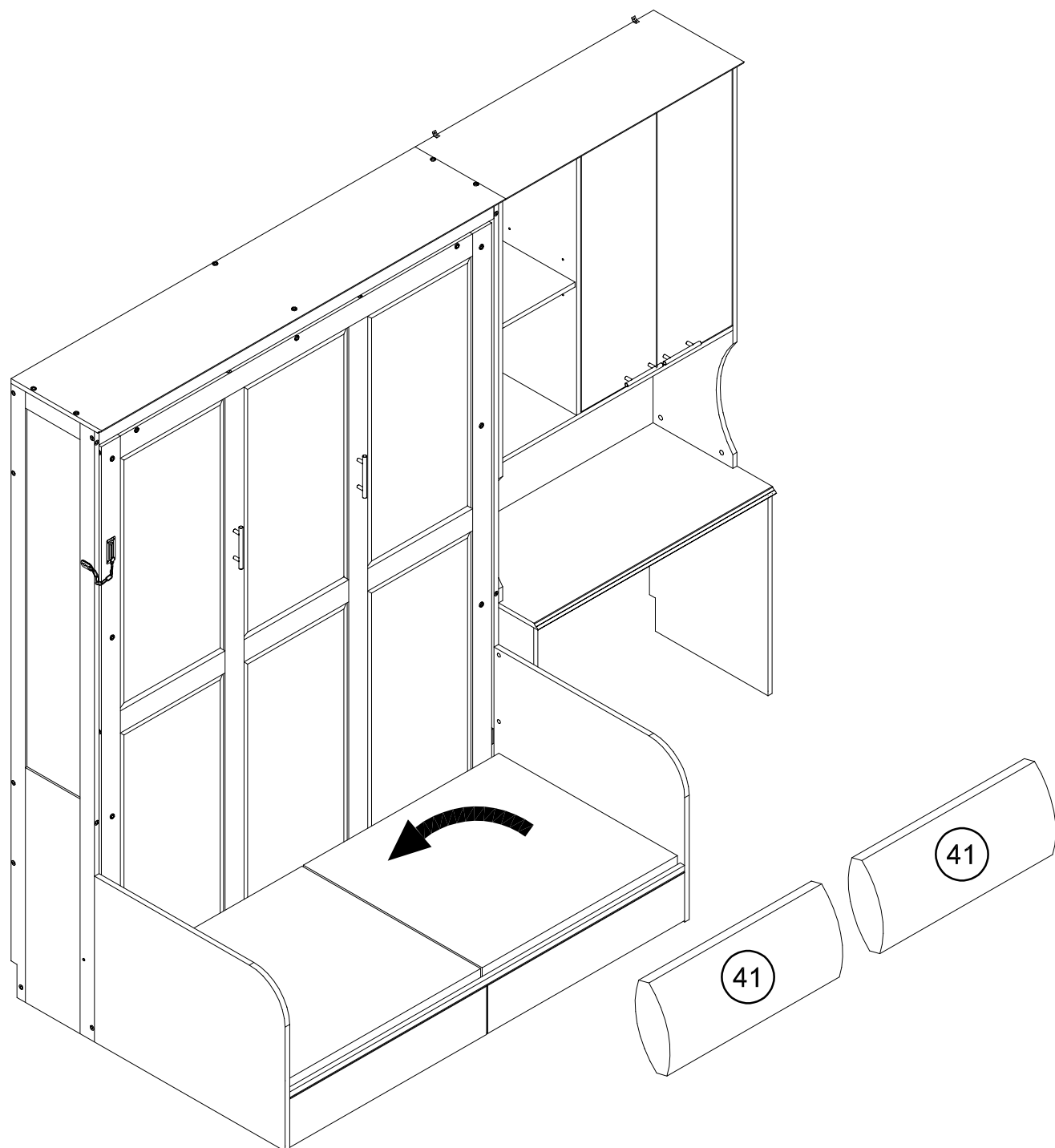


2pcs

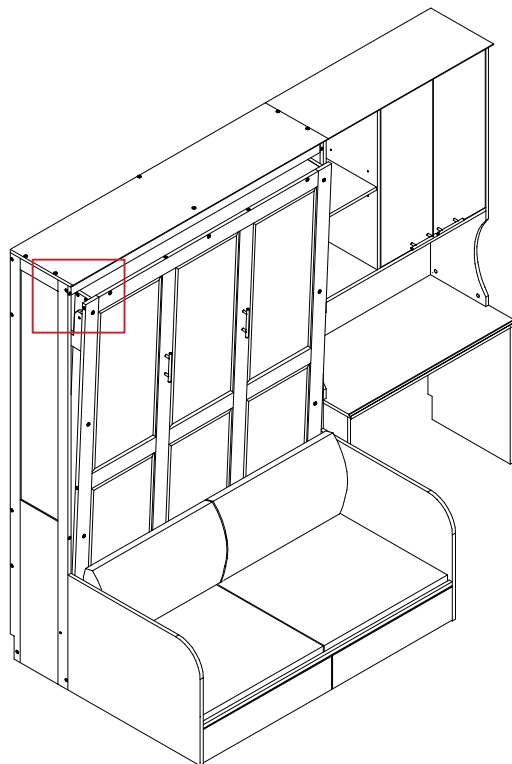


STEP 55: Following below illustration:

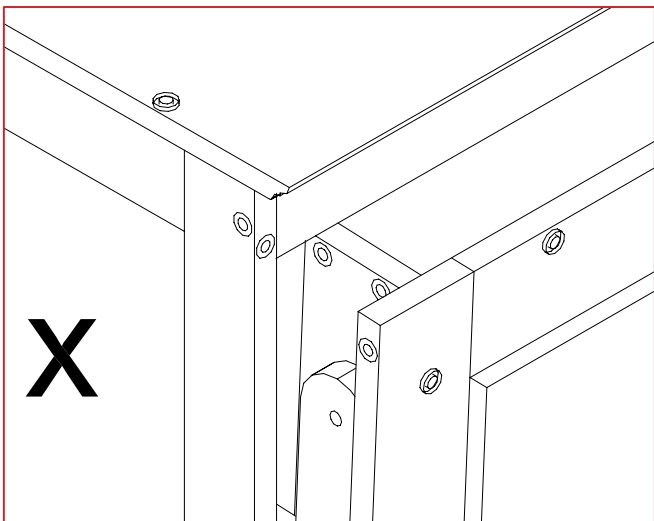
ÉTAPE 55: Illustration ci-dessous :



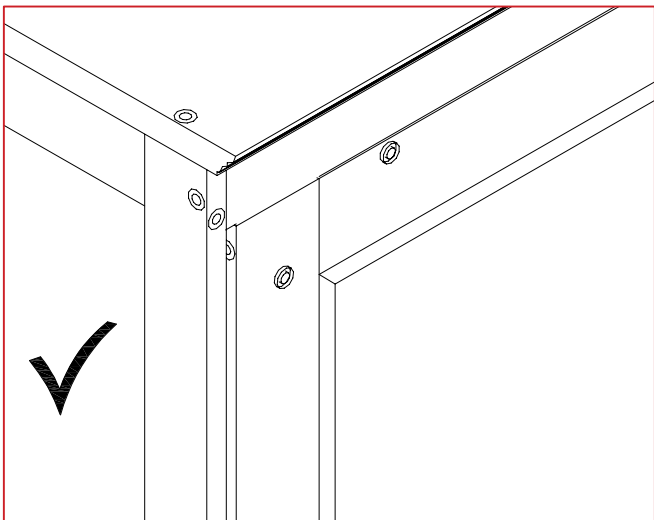
X



X

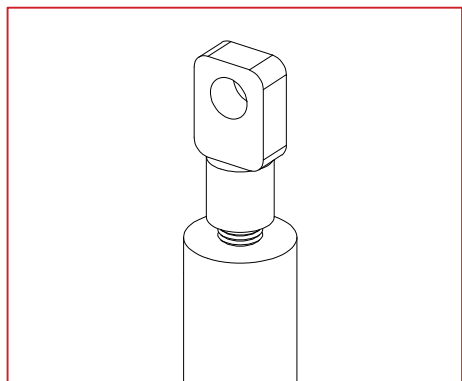
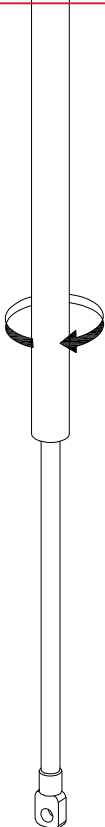
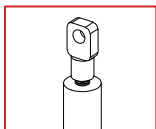


✓

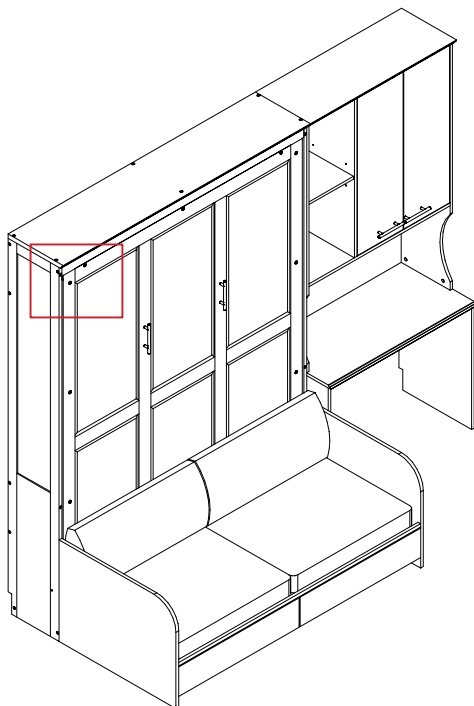


NOTED

ADJUSTABLE ACCESSORIES.
PLEASE FOLLOW THE INSTRUCTIONS
SO THAT THE DETAILS CAN BE
IN THE CORRECT POSITION AS DESIRED

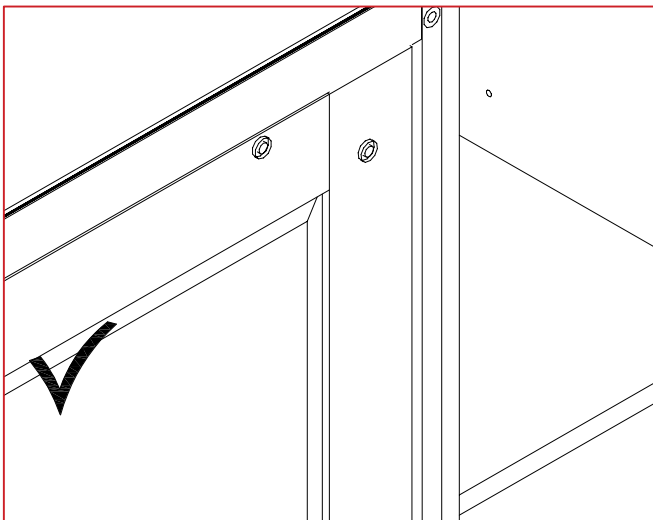
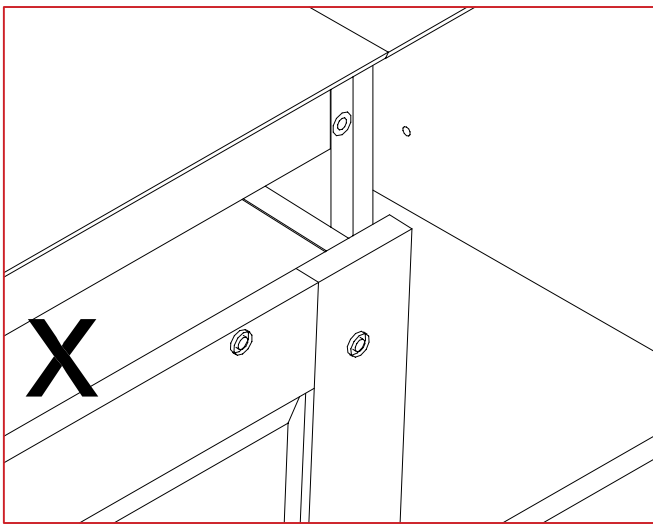


✓

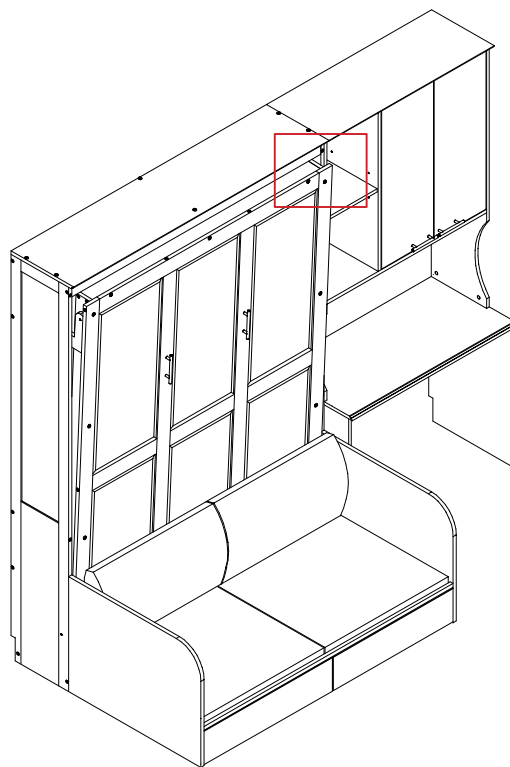


RENOMMÉ

ACCESSOIRES RÉGLABLES. VEUILLEZ
SUIVRE LE
INSTRUCTIONS POUR QUE LES
DÉTAILS PUISSENT ÊTRE DANS LE
POSITION CORRECTE COMME VOUS LE
SOUHAITEZ

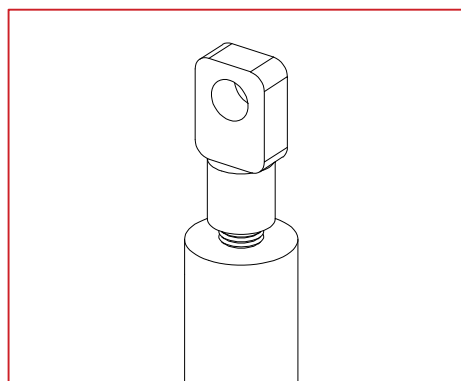
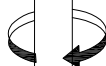
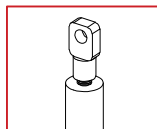


X



NOTED

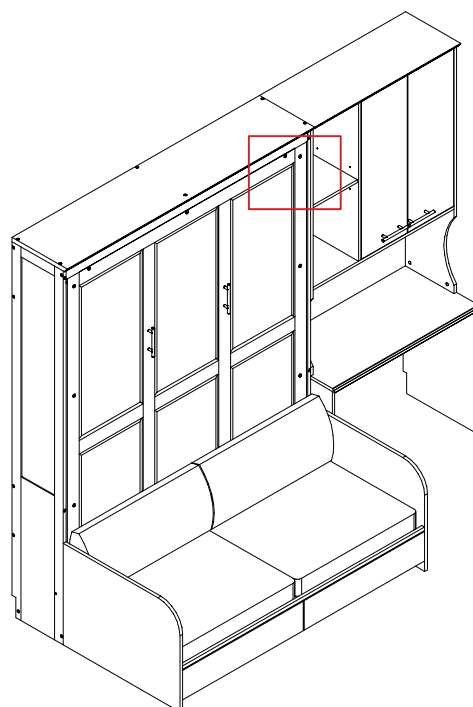
ADJUSTABLE ACCESSORIES.
PLEASE FOLLOW THE INSTRUCTIONS
SO THAT THE DETAILS CAN BE
IN THE CORRECT POSITION AS DESIRED



RENOMMÉ

ACCESSOIRES RÉGLABLES. VEUILLEZ
SUIVRE LE
INSTRUCTIONS POUR QUE LES
DÉTAILS PUISSENT ÊTRE DANS LE
POSITION CORRECTE COMME VOUS LE
SOUHAITEZ

✓



FINISH FINITION

