

NOTICE

*Please make sure that you have all part indicated and they are in good condition before you begin assembly of this item. Refer to part list and hardware list below for guidance.

*This item should be assembled on a soft surface to prevent scratching the finish during assembly.

*This item may require periodic tightening.

*If you are having difficulty, our friendly Customer Care team is always here to help. Please email customersupport@safavieh.com

PREPARATION

*Before beginning assembly of product, make sure all part are present. Compare part with part contents list and hardware contents list.

*If any part is missing or damaged, do not attempt to assemble the product.

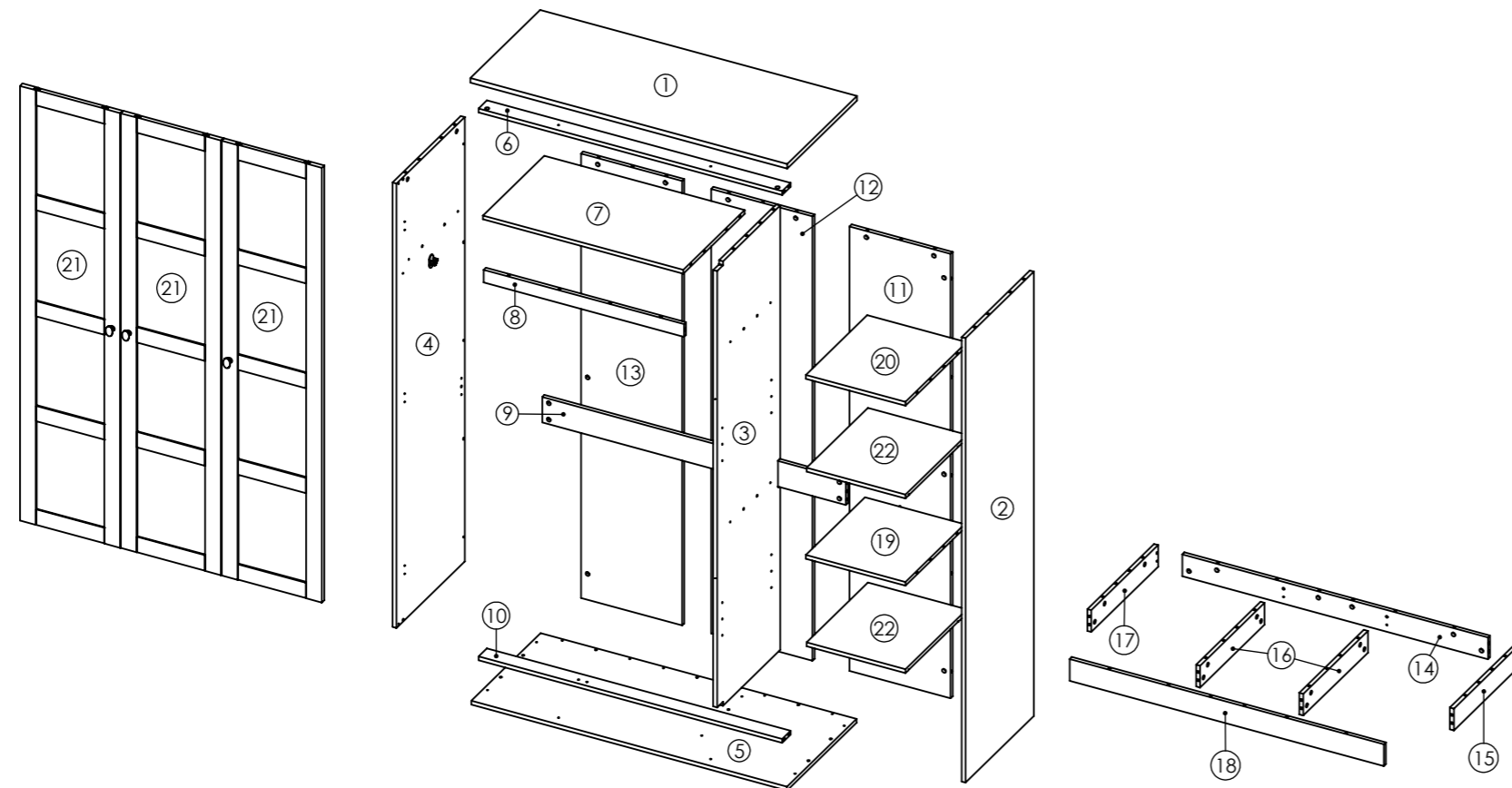
*Estimated Assembly Time: 60 minutes.

*Tools Required for Assembly (Not included): Screwdriver

CARE AND MAINTENANCE

Adhesive felt pads should always be applied to areas of furniture which make direct contact with flooring, said application will prevent damage to the furniture and or surfaces on which the furniture lies. Objects placed on articles of furniture should rest on non abrasive material as to prevent damage to the wood finish. Objects whose composition consists of plastic and rubber are known to discolor and damage the wood surfaces on which they rest. Wipe up spills immediately and avoid common hazards such as hot dishes, harsh solvents and abrasives. Cleaning should be done with a soft lint free cotton cloth dampened with water or furniture polish. On highly used surfaces we recommend applying a quality paste wax which should be used on a regular basis to provide additional protection from scratches and spills. How often you apply the wax depends on how much wear the furniture receives.

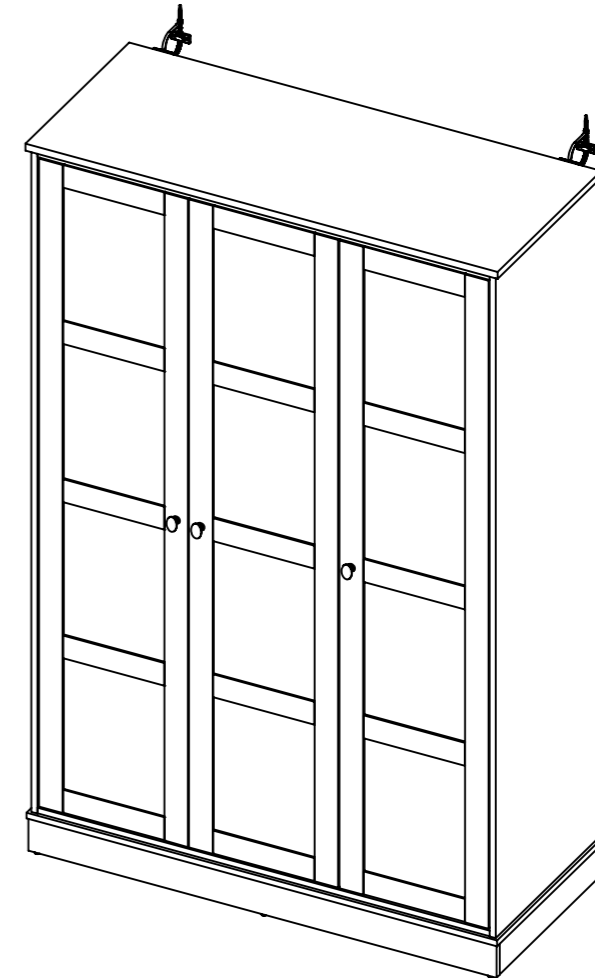
Part List



 **SAFAVIEH**
FURNITURE

Model# STG3103

Product Dimensions: 47.24" x 19.68" x 73.22"



WARNING

TOTAL WEIGHT CAPACITY: 67 LBS

Big Shelf Load capacity: 34 lbs

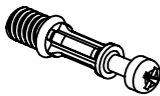
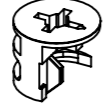

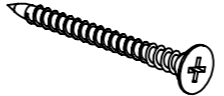




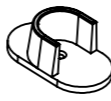
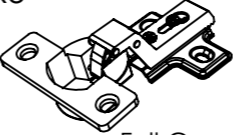
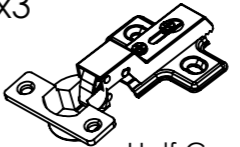

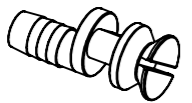

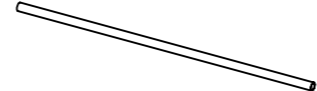
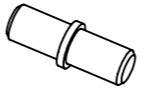

Small Shelf Load capacity: 17 lbs


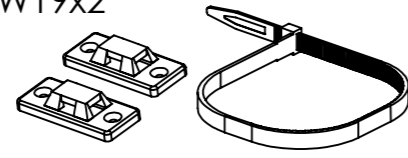
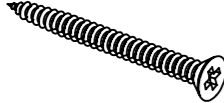
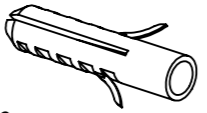
Hanger rod load capacity: 16 lbs

Warning: Do not stand on wardrobe

Warning: Do not over torque bolt

Hardware List

<p>HW1x66</p>  <p>Ø6x32 mm</p>	<p>HW2x66</p>  <p>Ø15x12 mm</p>	<p>HW3x62</p>  <p>Ø8x32 mm</p>	<p>HW4x12</p>  <p>Ø6x50 mm</p>	<p>HW5x8</p>  <p>Ø6x25 mm</p>	<p>HW6x2</p>  <p>Ø6x12 mm</p>
<p>HW7x36</p>  <p>Ø5x12 mm</p>	<p>HW8x3</p>  <p>Ø9x25 mm</p>	<p>HW9x2</p>  <p>Ø3/4"</p>	<p>HW10x6</p>  <p>Ø35 Full Curve Hinge</p>	<p>HW11x3</p>  <p>Ø35 Half Curve Hinge</p>	<p>HW12x36</p>  <p>Ø20</p>
<p>HW13x4</p>  <p>Ø9x20 mm</p>	<p>HW14x3</p>  <p>Ø31x35 mm</p>	<p>HW15x1</p>  <p>L. 747 mm</p>	<p>HW16x8</p>  <p>Ø5x16 mm</p>	<p>HW17x2</p>  <p>Ø8</p>	

Anti-tip restraint pack	
<p>HW18x4</p>  <p>Ø6x15 mm</p>	<p>HW19x2</p> 
<p>HW20x4</p>  <p>Ø10x50 mm</p>	<p>HW21x4</p>  <p>Ø8x35 mm</p>

Part List & HW

Piece	Description	Qty	Carton Call
1	Top Panel	1	1 of 3
2	Side Panel - Right	1	2 of 3
3	Center Panel	1	2 of 3
4	Side Panel - Left	1	2 of 3
5	Bottom Panel	1	1 of 3
6	Upper Apron	1	1 of 3
7	Fixed Shelf Panel	1	1 of 3
8	Shelf Support	1	1 of 3
9	Rear Supprot	1	1 of 3
10	Lower Apron	1	1 of 3
11	Back Panel - Right	1	2 of 3
12	Back Panel - Center	1	2 of 3
13	Back Panel - Left	1	2 of 3
14	Plinth - Rear	1	1 of 3
15	Plinth - Right	1	1 of 3
16	Plinth - Center	2	1 of 3
17	Plinth - Left	1	1 of 3
18	Plinth - Front	1	1 of 3
19	Lower Small Fixed Shelf	1	1 of 3
20	Upper Small Fixed Shelf	1	1 of 3
21	Door Panel	3	3 of 3
22	Adjustable Shelf	2	1 of 3

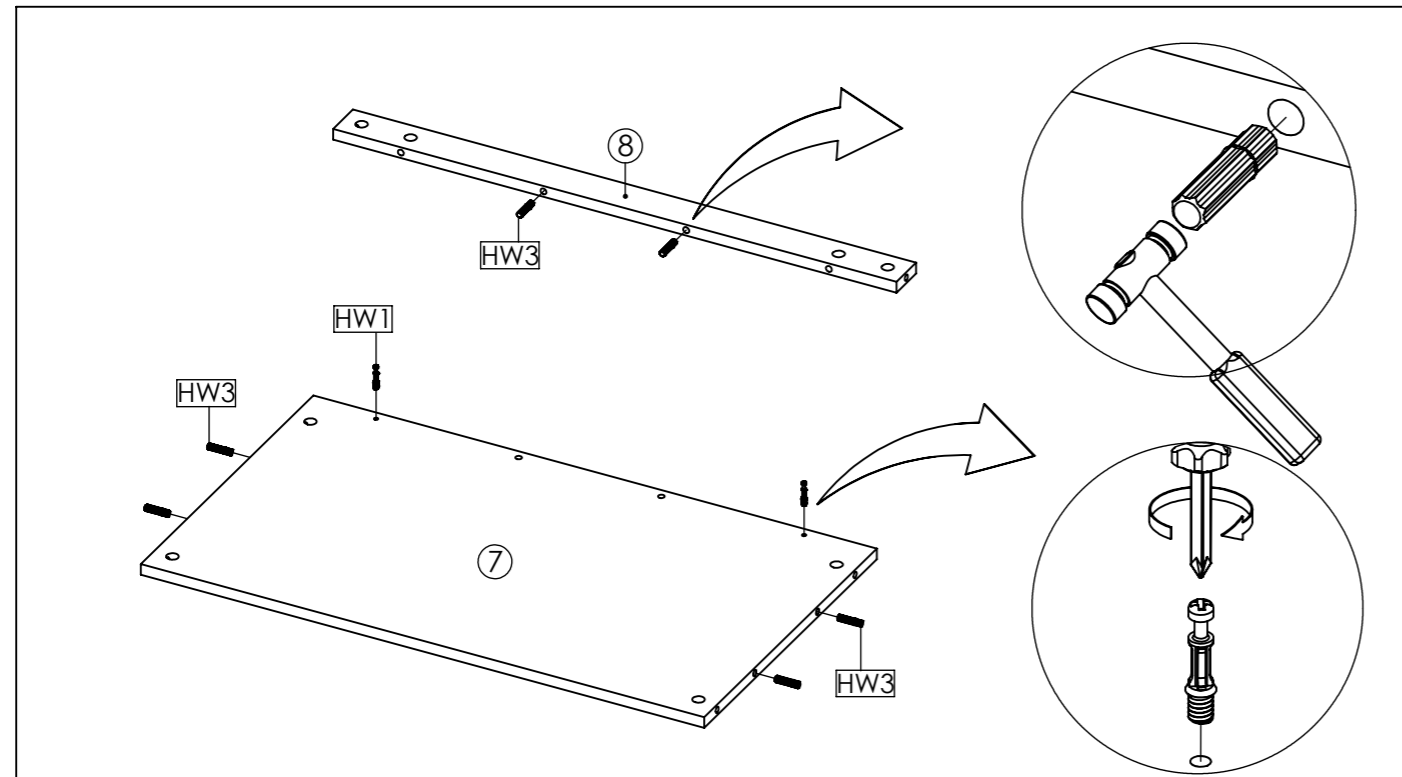
Piece	Description	Qty	Carton Call
HW1	Cambolt	66	1 of 3
HW2	Camlock	66	1 of 3
HW3	Wooden Dowel	62	1 of 3
HW4	Screw 6 x 50 mm	12	1 of 3
HW5	Screw 6 x 25 mm	8	1 of 3
HW6	Screw 6 x 12 mm	2	1 of 3
HW7	Screw M5 x 12 mm	36	1 of 3
HW8	Screw Panhead M9 x 25 mm	3	1 of 3
HW9	Bracket Hanger	2	1 of 3
HW10	Full Curve Hinge	6	1 of 3
HW11	Half Curve Hinge	3	1 of 3
HW12	Cover Cap Sticker	36	1 of 3
HW13	Door Stopper	4	1 of 3
HW14	Handle	3	1 of 3
HW15	Pipe Ø3/4" x 747 mm	1	1 of 3
HW16	Metal Pin	8	1 of 3
HW17	Bumpers	2	1 of 3
HW18	Screw 6 x 15 mm	4	1 of 3
HW19	Anti-tip	2	1 of 3
HW20	Screw 10 x 50 mm	4	1 of 3
HW21	Fisher "S" 8	4	1 of 3

PREPARATION

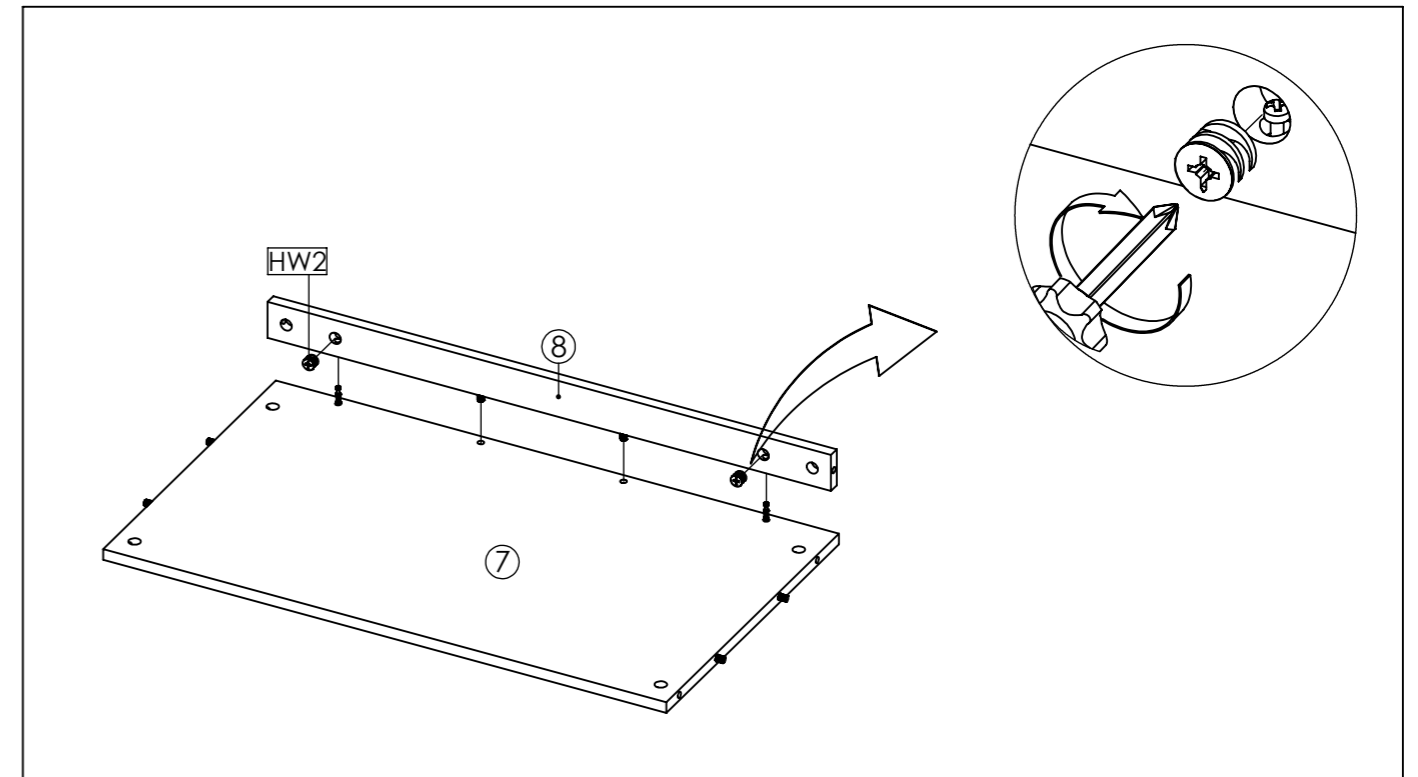
Before beginning assembly of product, make sure all part are present. Compare part with part contents list and hardware contents list.

If any part is missing or damaged, do not attempt to assemble the product.

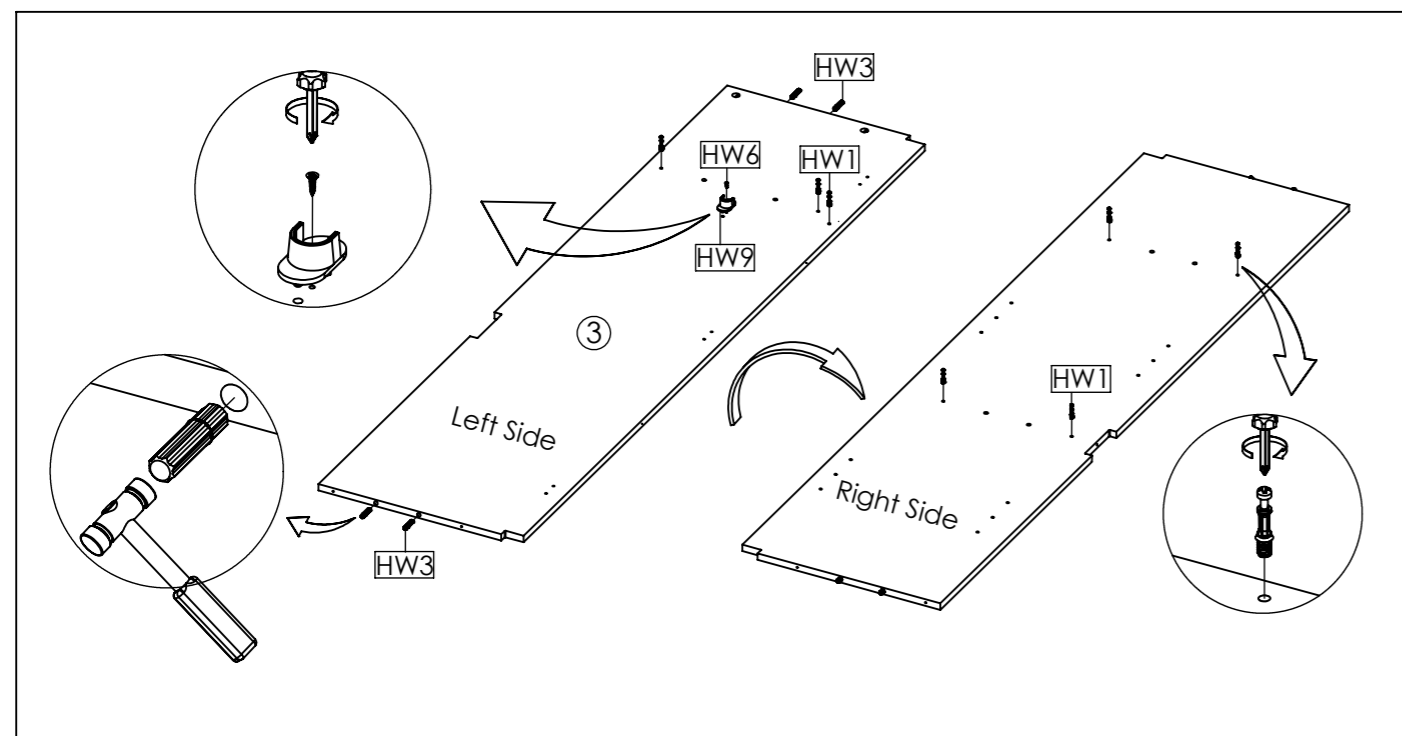
Estimated Assembly Time: 60 minutes.



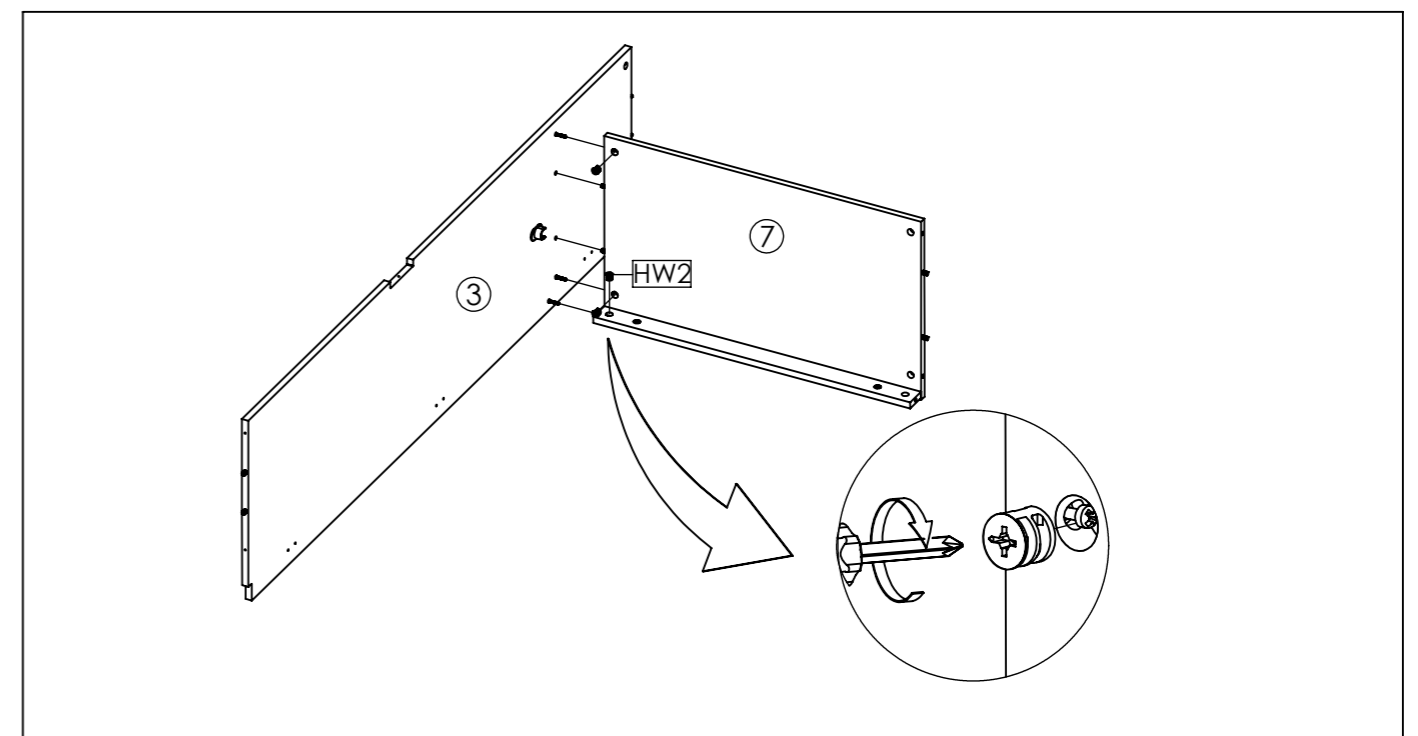
STEP1: Insert wooden dowel (HW3) into shelf support (8) and Insert wooden dowel (HW3) and cambolt (HW1) into fixed shelf panel (7) tighten it using screwdriver.



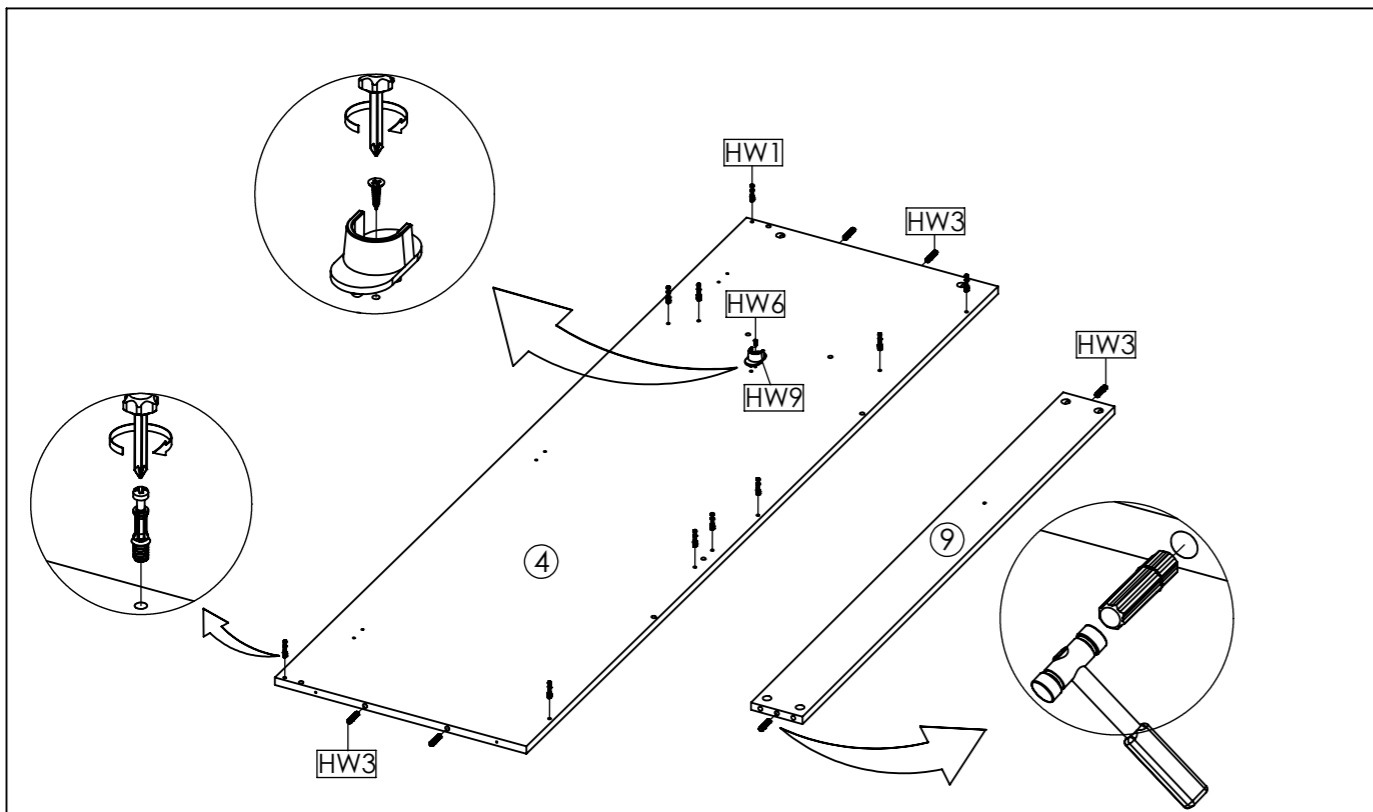
STEP2: Insert shelf support (8) into fixed shelf panel (7) Secure with camlock (HW2) tighten it using screwdriver.



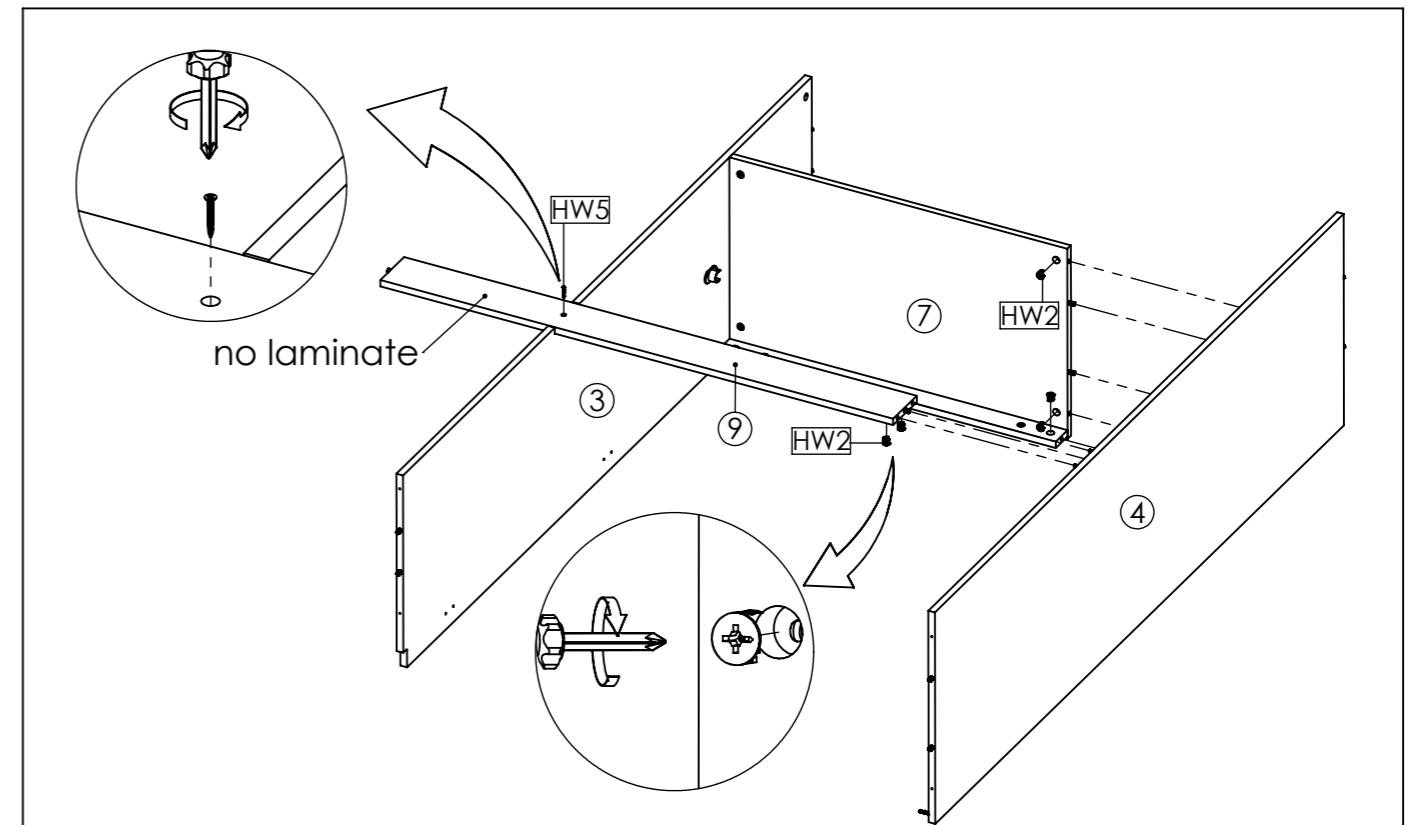
STEP3: Insert wooden dowel (HW3) and cambolt (HW1) into Center Panel (3) tighten it using screwdriver. Continue Insert bracket hanger into Center Panel (3) Secure with Screw 6 x 12 mm (HW6) tighten it using screwdriver.



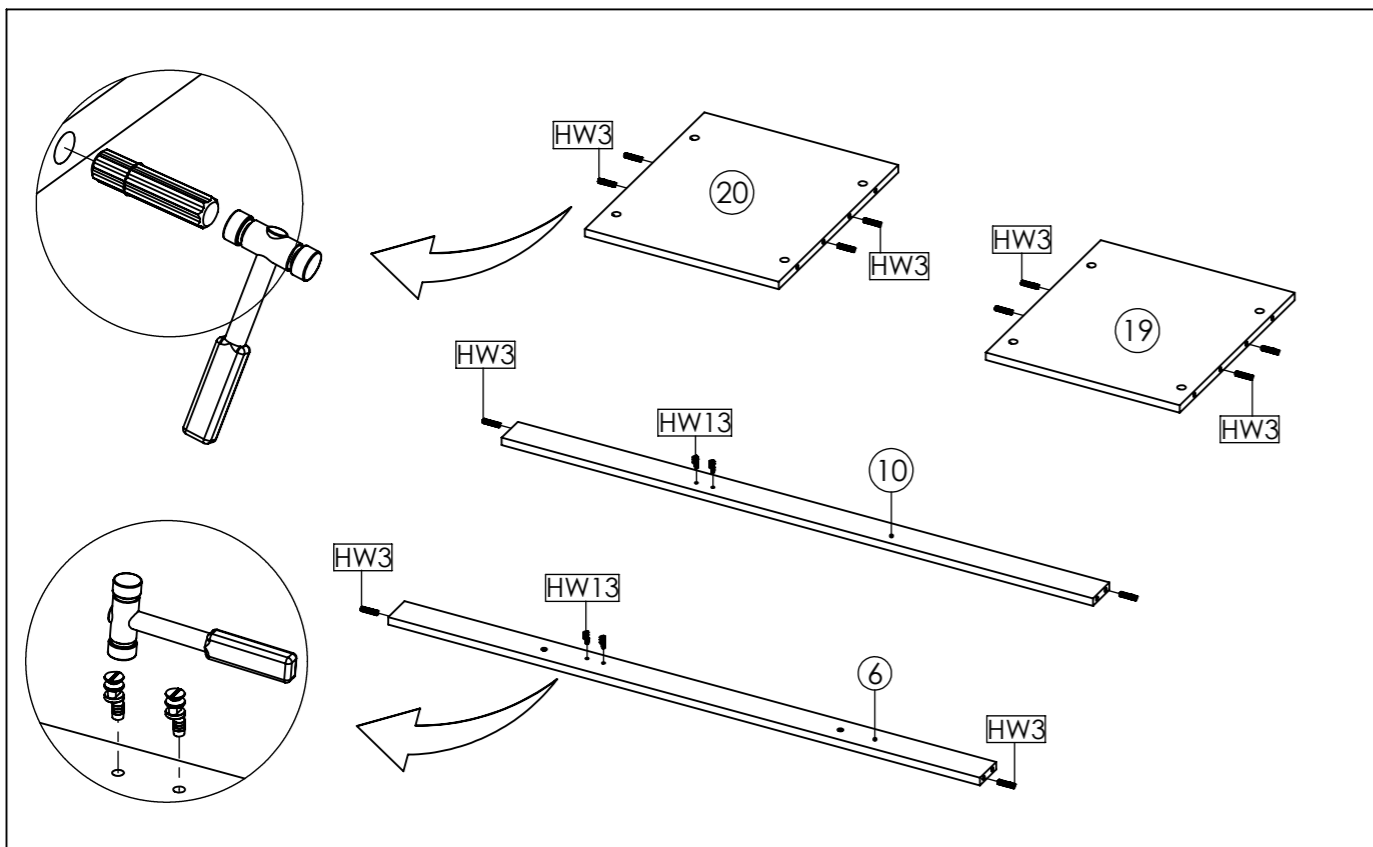
STEP4: Insert fixed shelf panel (7) into Center Panel (3) Secure with camlock (HW2) tighten it using screwdriver.



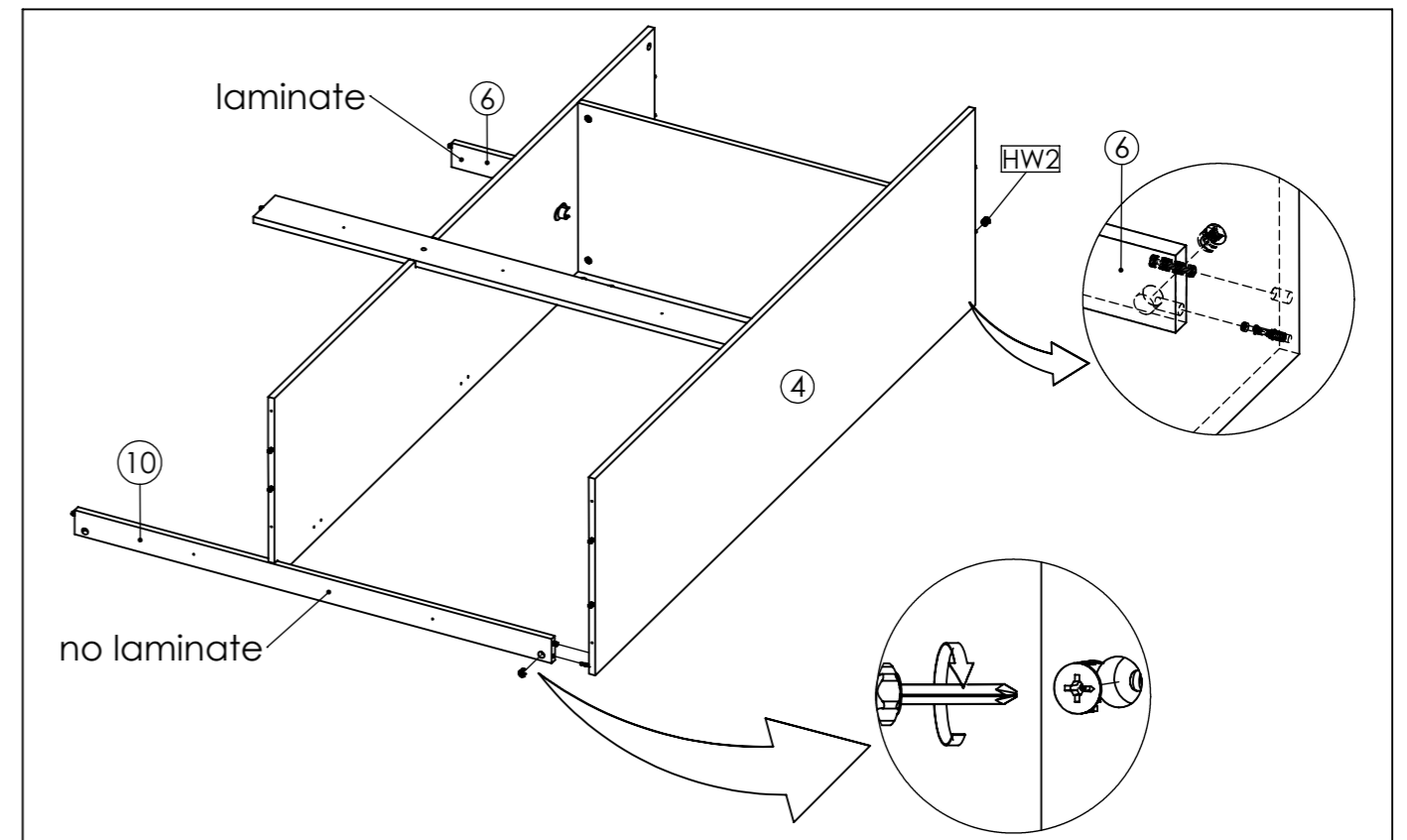
STEP5: Insert wooden dowel (HW3) into Rear Support (9)
 Insert wooden dowel (HW3) and cambolt (HW1) into Side Panel - Left (4) tighten it using screwdriver. Continue Insert bracket hanger (HW9) Secure with Screw 6 x 12 mm (HW6) tighten it using screwdriver.



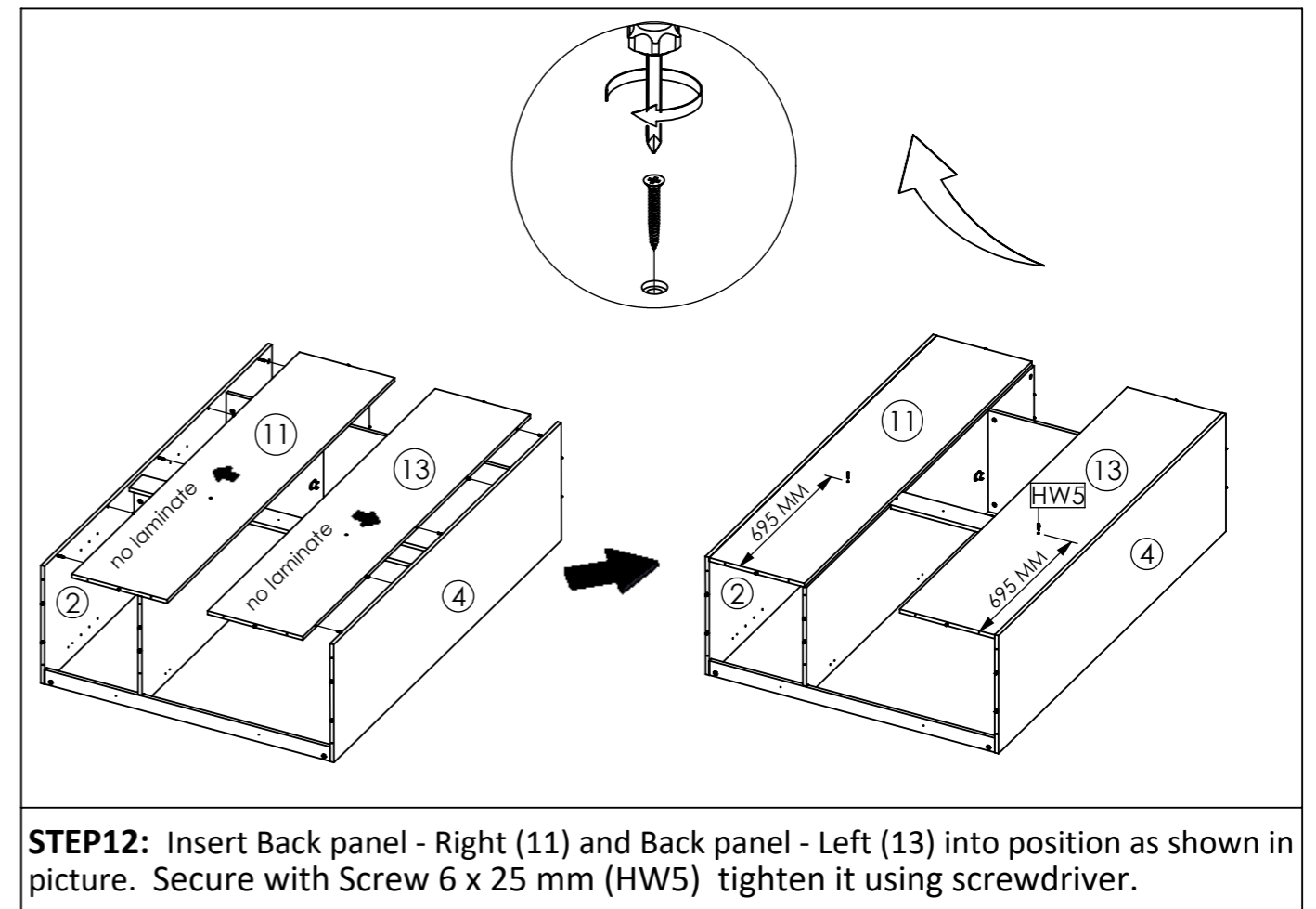
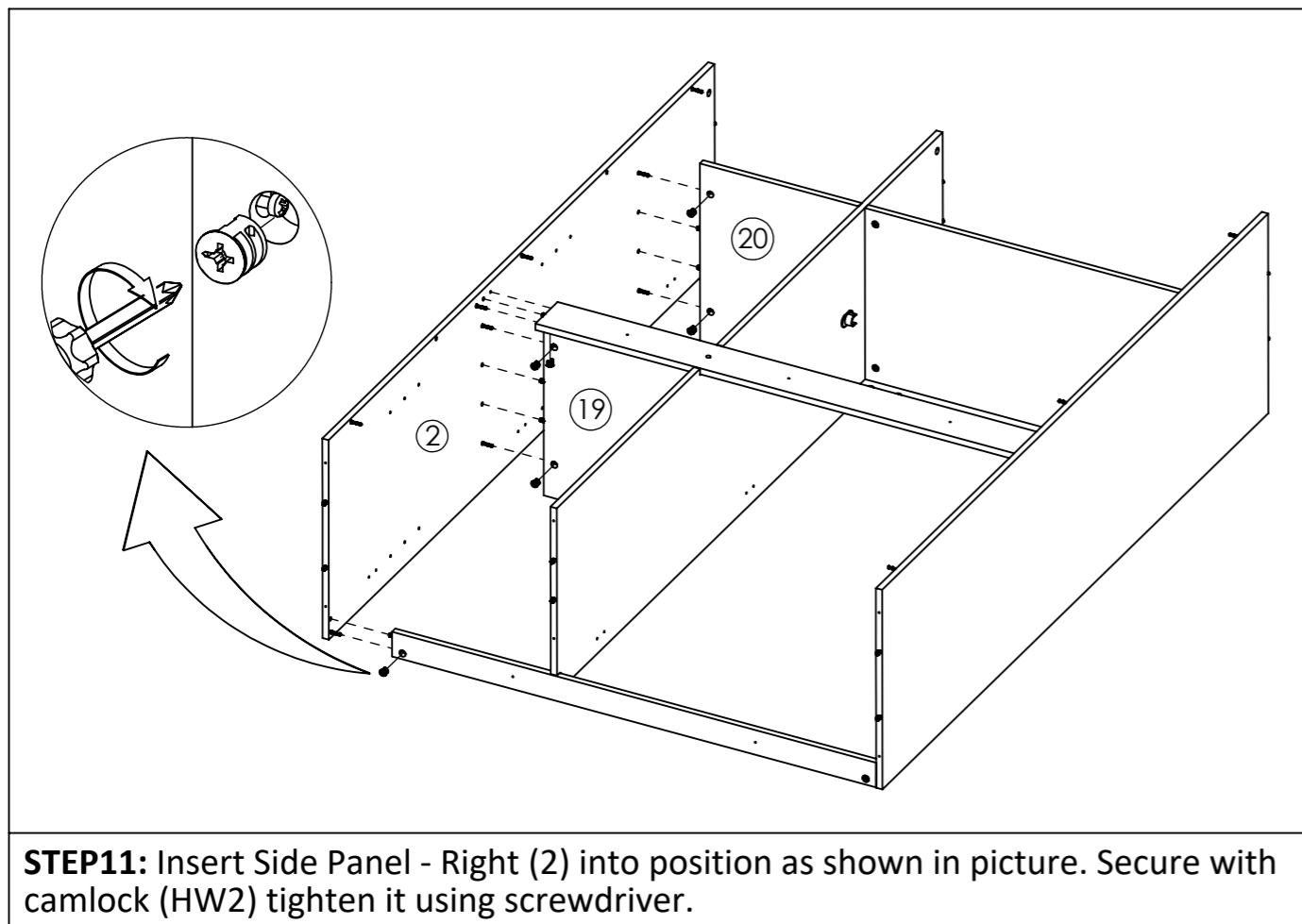
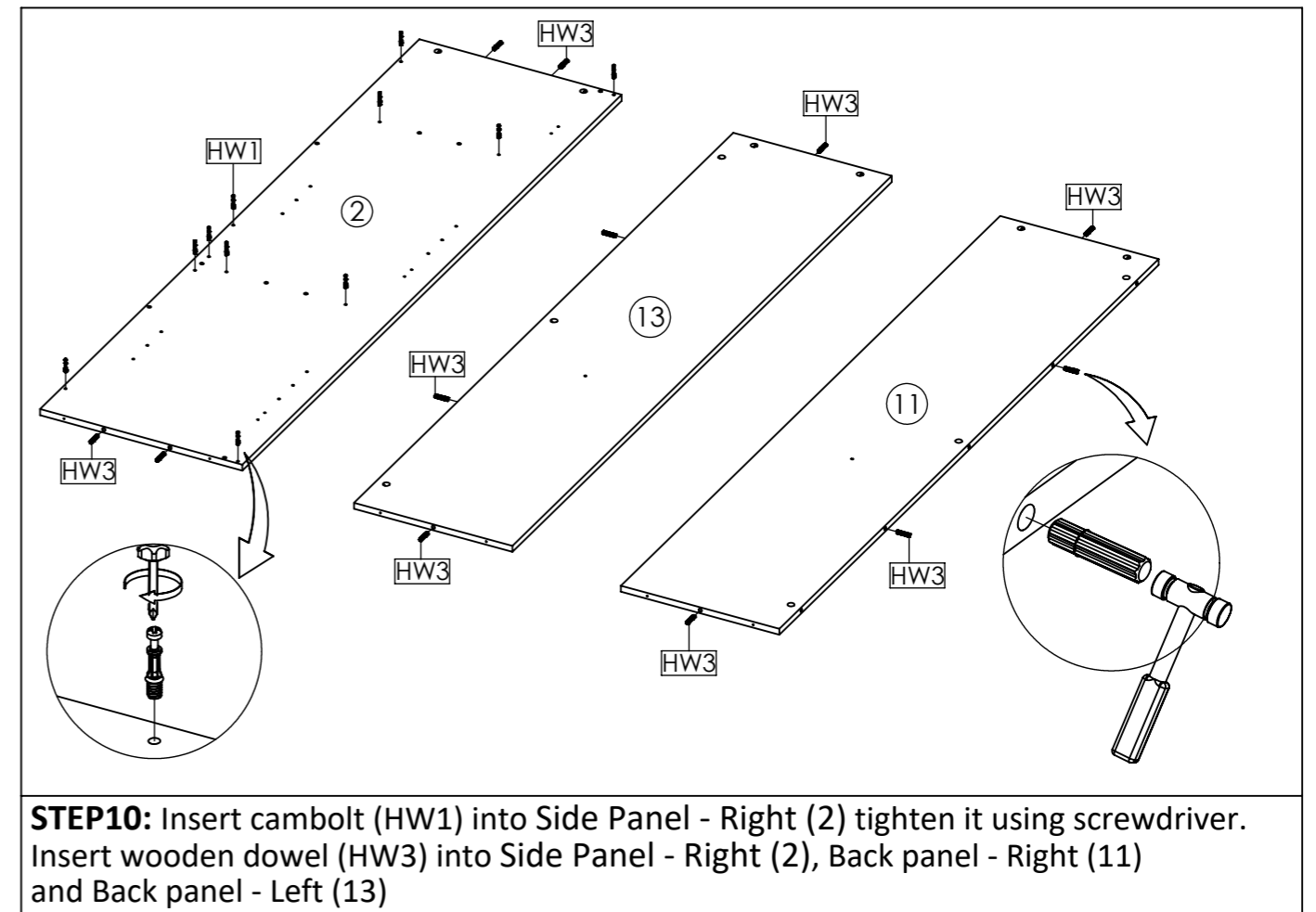
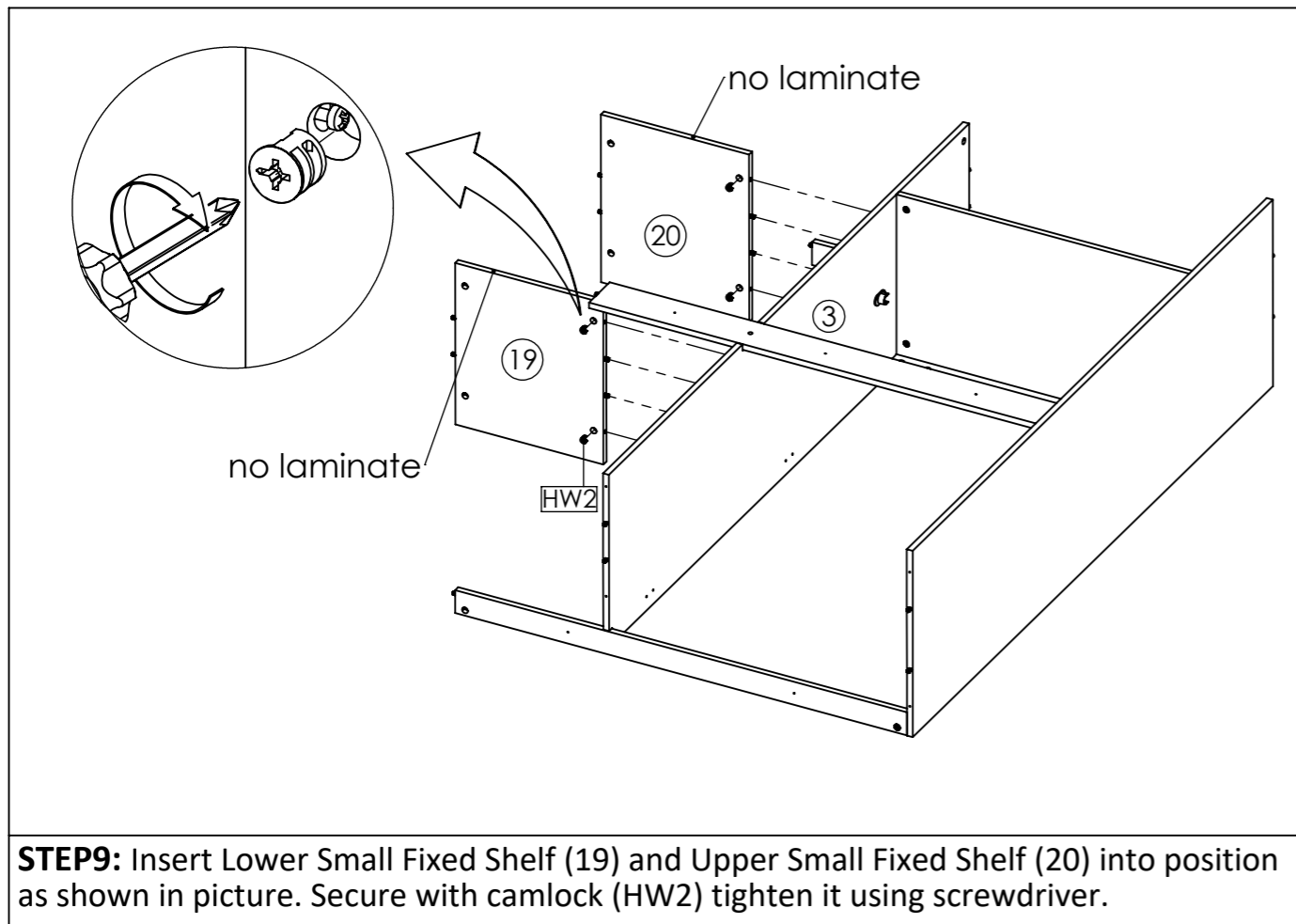
STEP6: Insert Side Panel - Left (4) into position as shown in picture. Secure with camlock (HW2) tighten it using screwdriver. Continue Insert Screw 6 x 25 mm (HW5) tighten it using screwdriver.

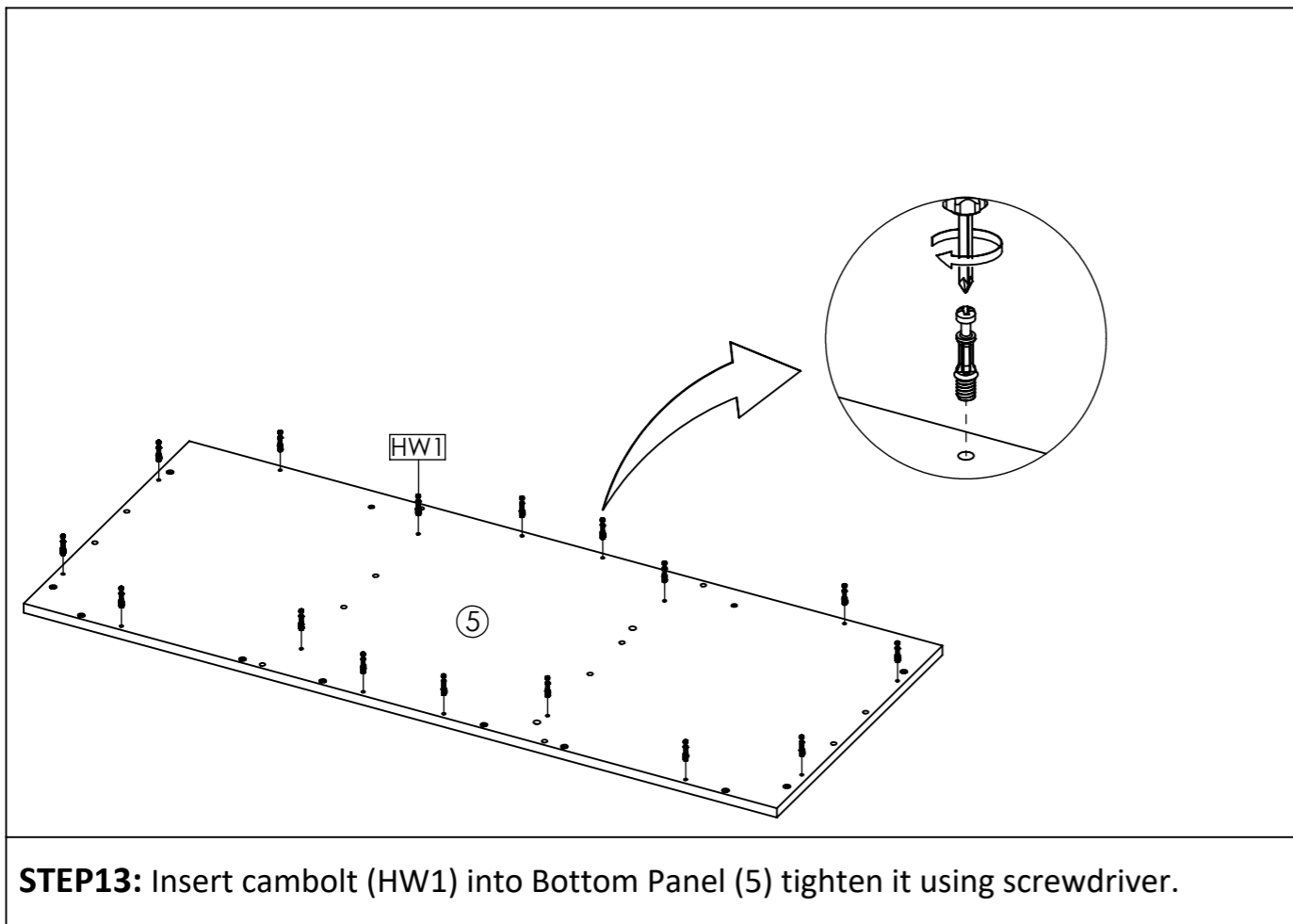


STEP7: Insert wooden dowel (HW3) into upper apron (6), lower apron (10), Lower Small Fixed Shelf (19) and Upper Small Fixed Shelf (20).
 Insert door stopper (HW13) into upper apron (6) and lower apron (10).

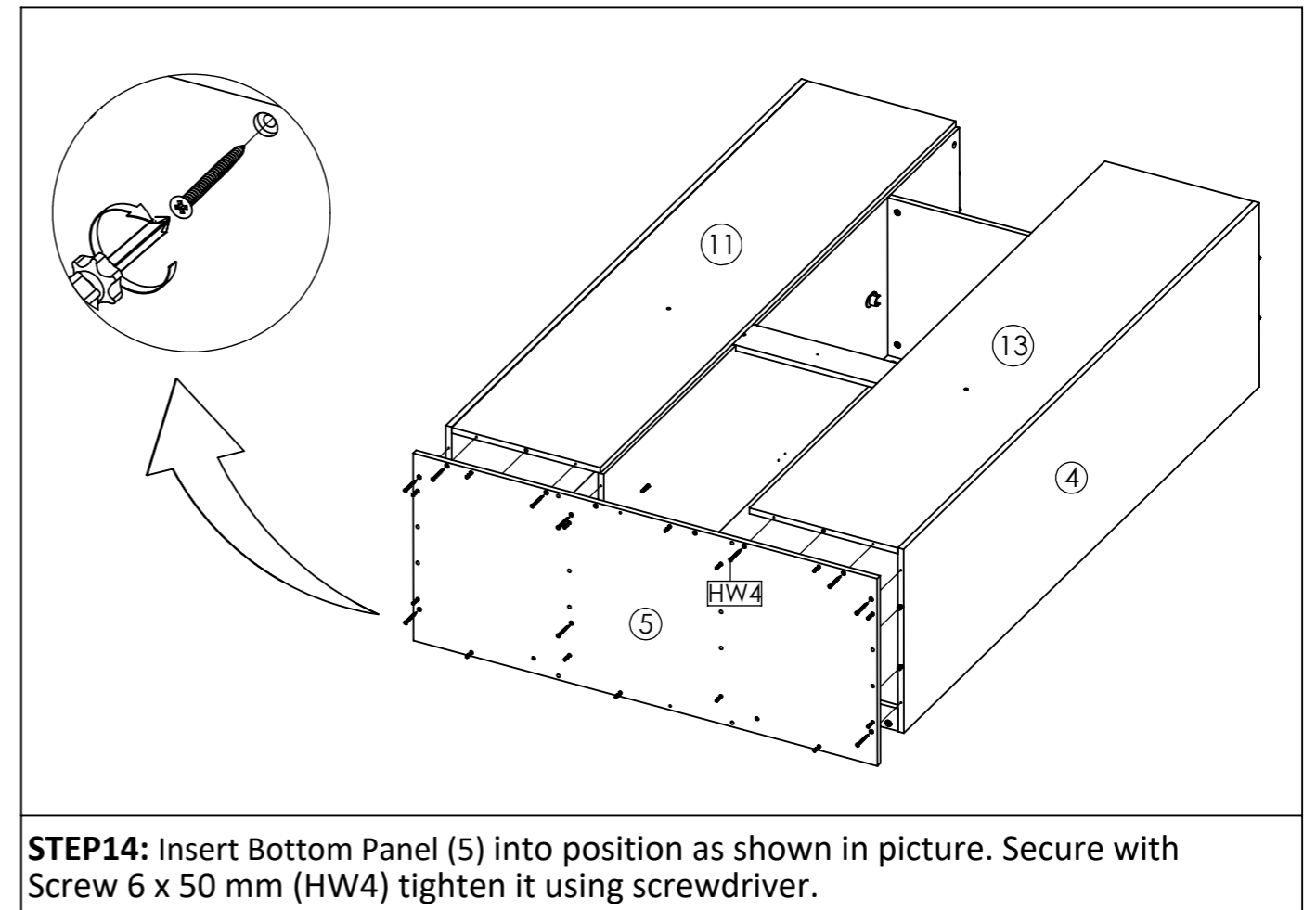


STEP8: Insert upper apron (6) and lower apron (10) into Side Panel - Left (4). Secure with camlock (HW2) tighten it using screwdriver.

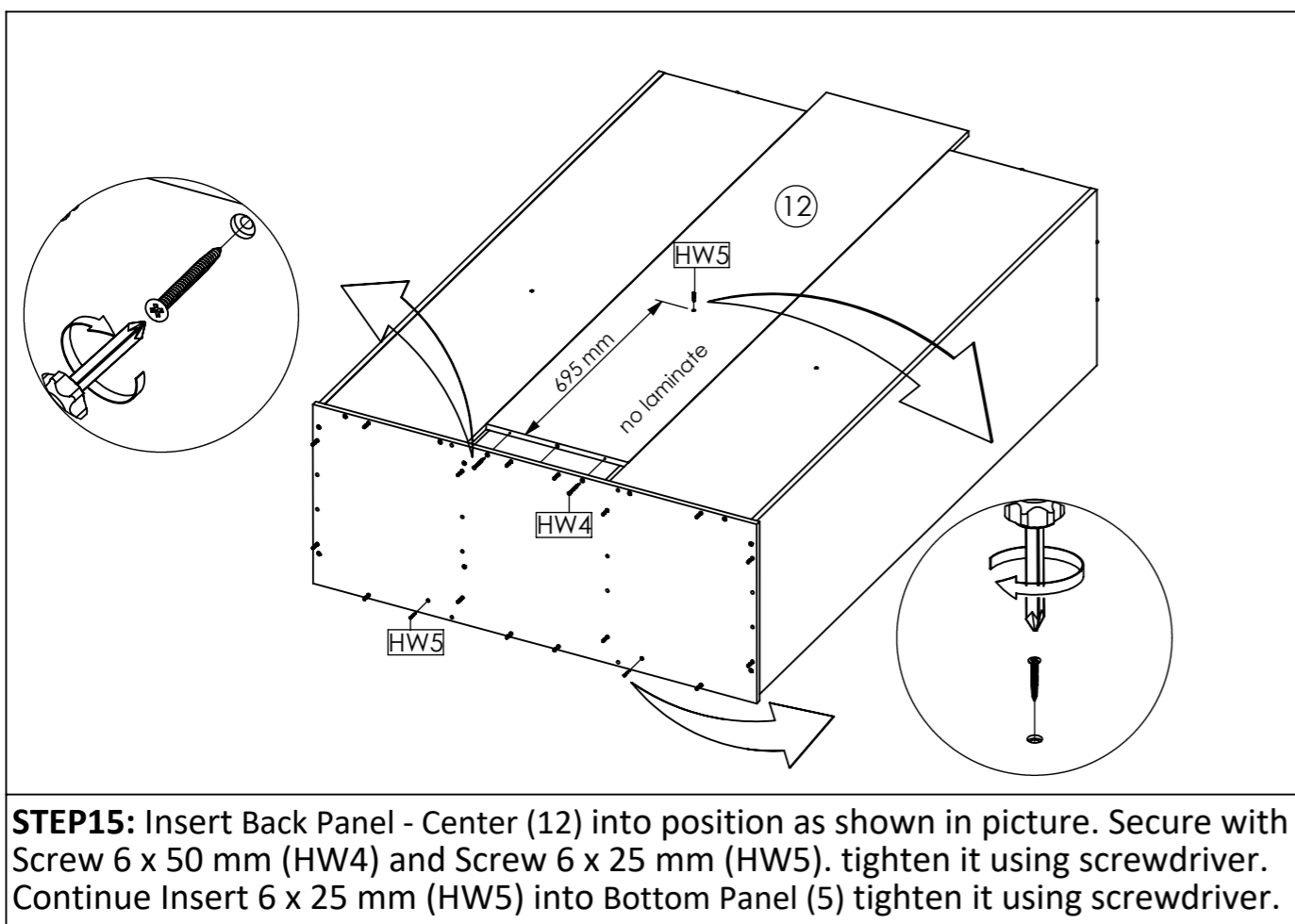




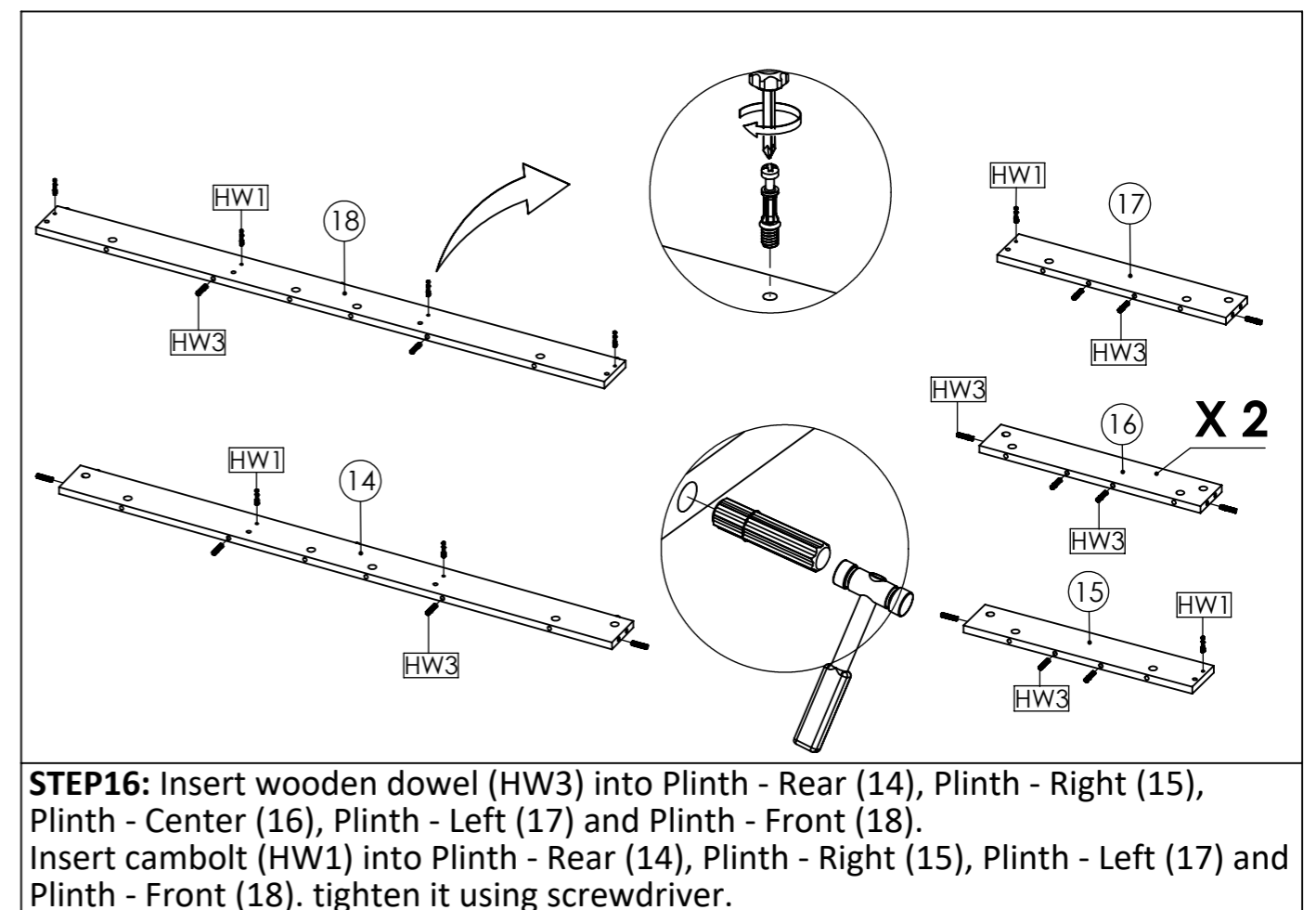
STEP13: Insert cambolt (HW1) into Bottom Panel (5) tighten it using screwdriver.



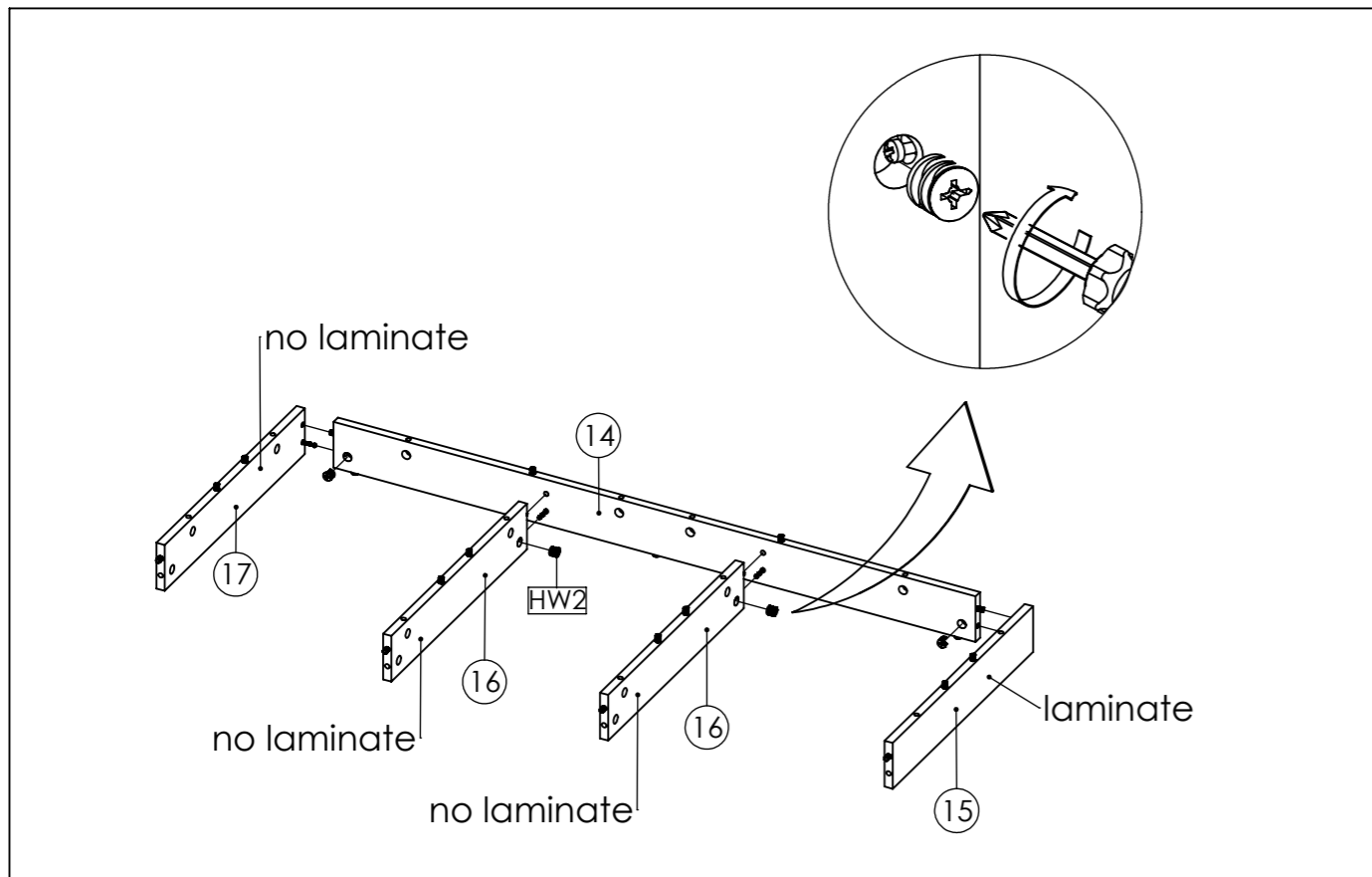
STEP14: Insert Bottom Panel (5) into position as shown in picture. Secure with Screw 6 x 50 mm (HW4) tighten it using screwdriver.



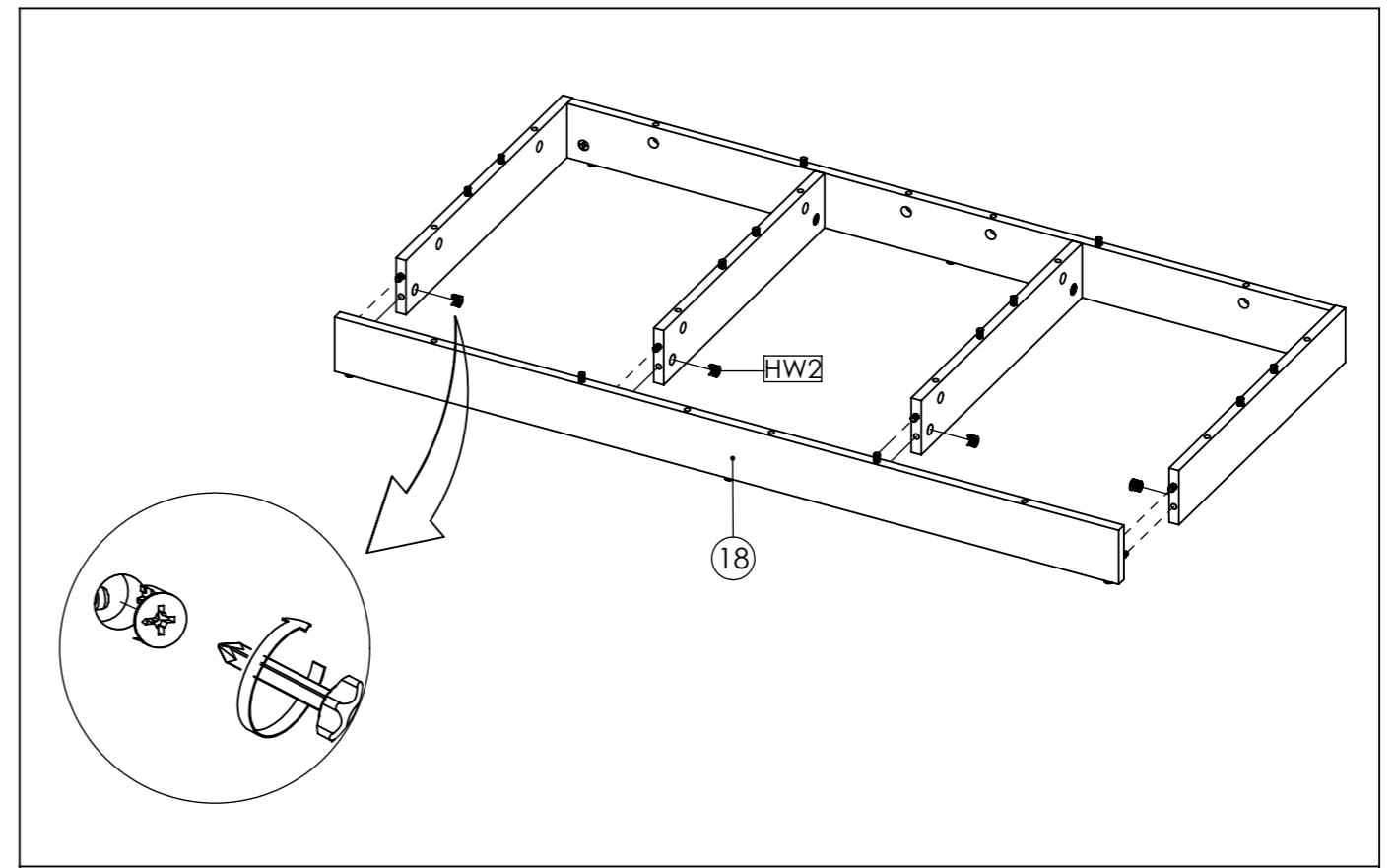
STEP15: Insert Back Panel - Center (12) into position as shown in picture. Secure with Screw 6 x 50 mm (HW4) and Screw 6 x 25 mm (HW5). tighten it using screwdriver. Continue Insert 6 x 25 mm (HW5) into Bottom Panel (5) tighten it using screwdriver.



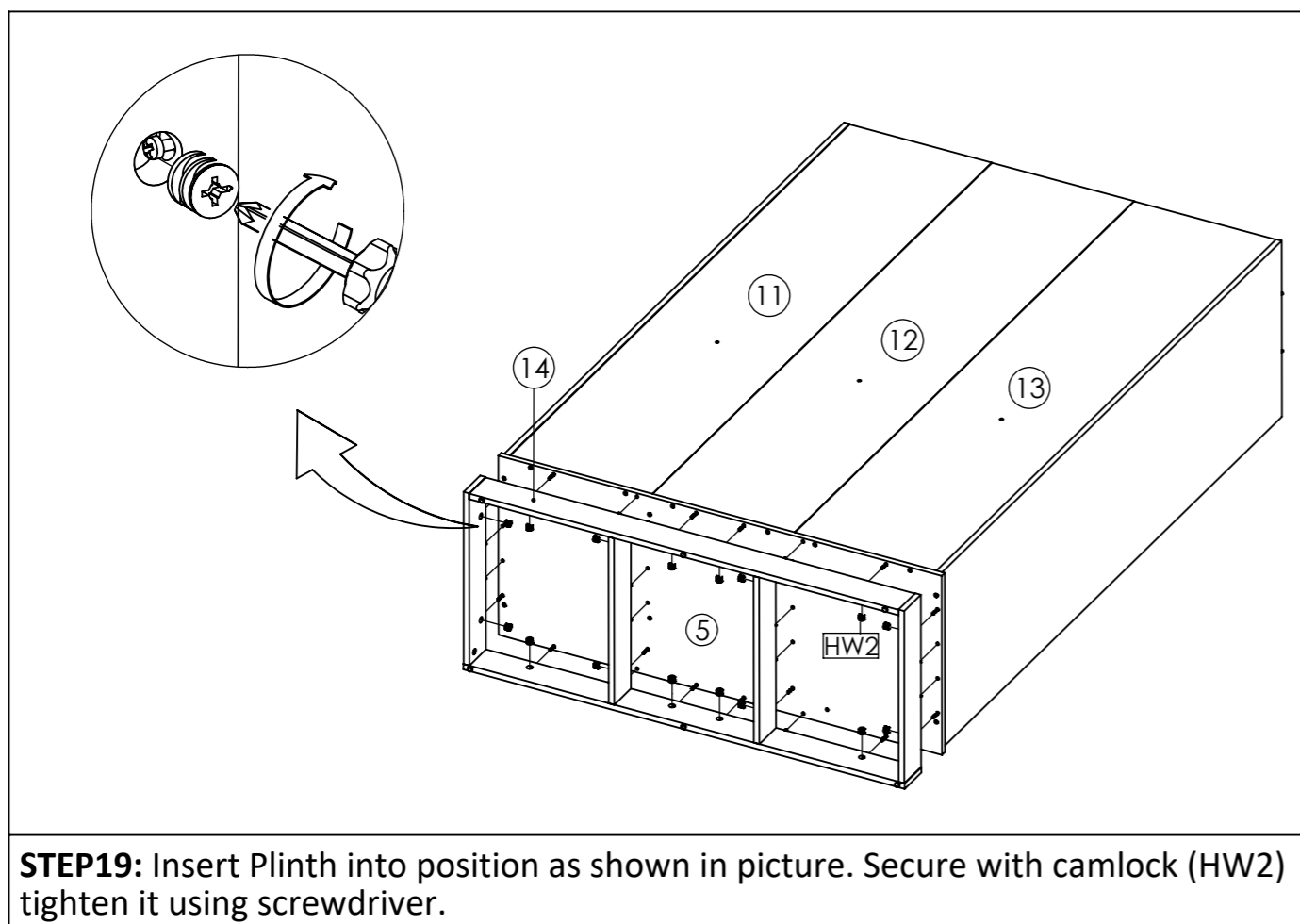
STEP16: Insert wooden dowel (HW3) into Plinth - Rear (14), Plinth - Right (15), Plinth - Center (16), Plinth - Left (17) and Plinth - Front (18). Insert cambolt (HW1) into Plinth - Rear (14), Plinth - Right (15), Plinth - Left (17) and Plinth - Front (18). tighten it using screwdriver.



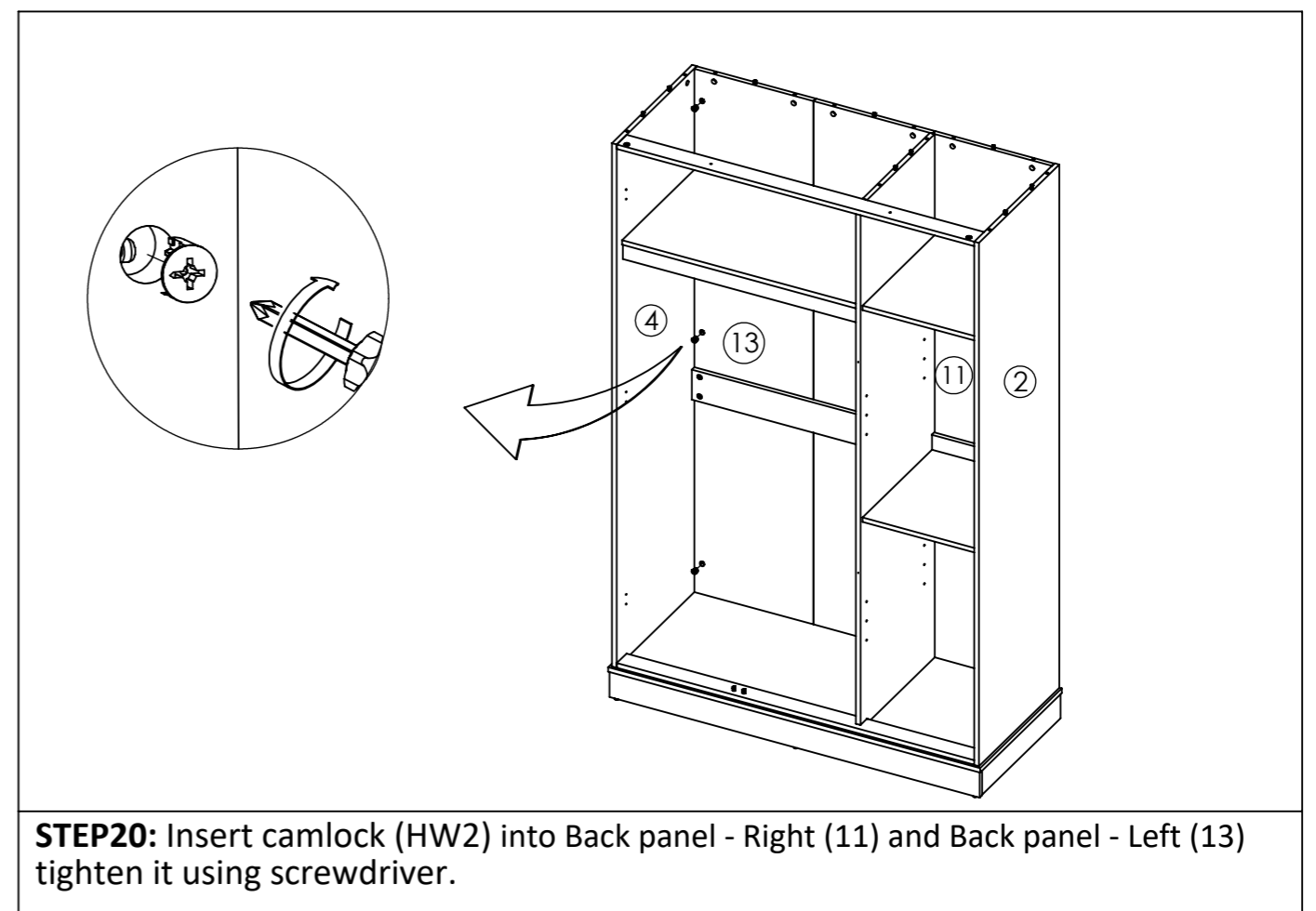
STEP17: Insert Plinth - Right (15), Plinth - Center (16) and Plinth - Left (17) into Plinth - Rear (14). Secure with camlock (HW2) tighten it using screwdriver.



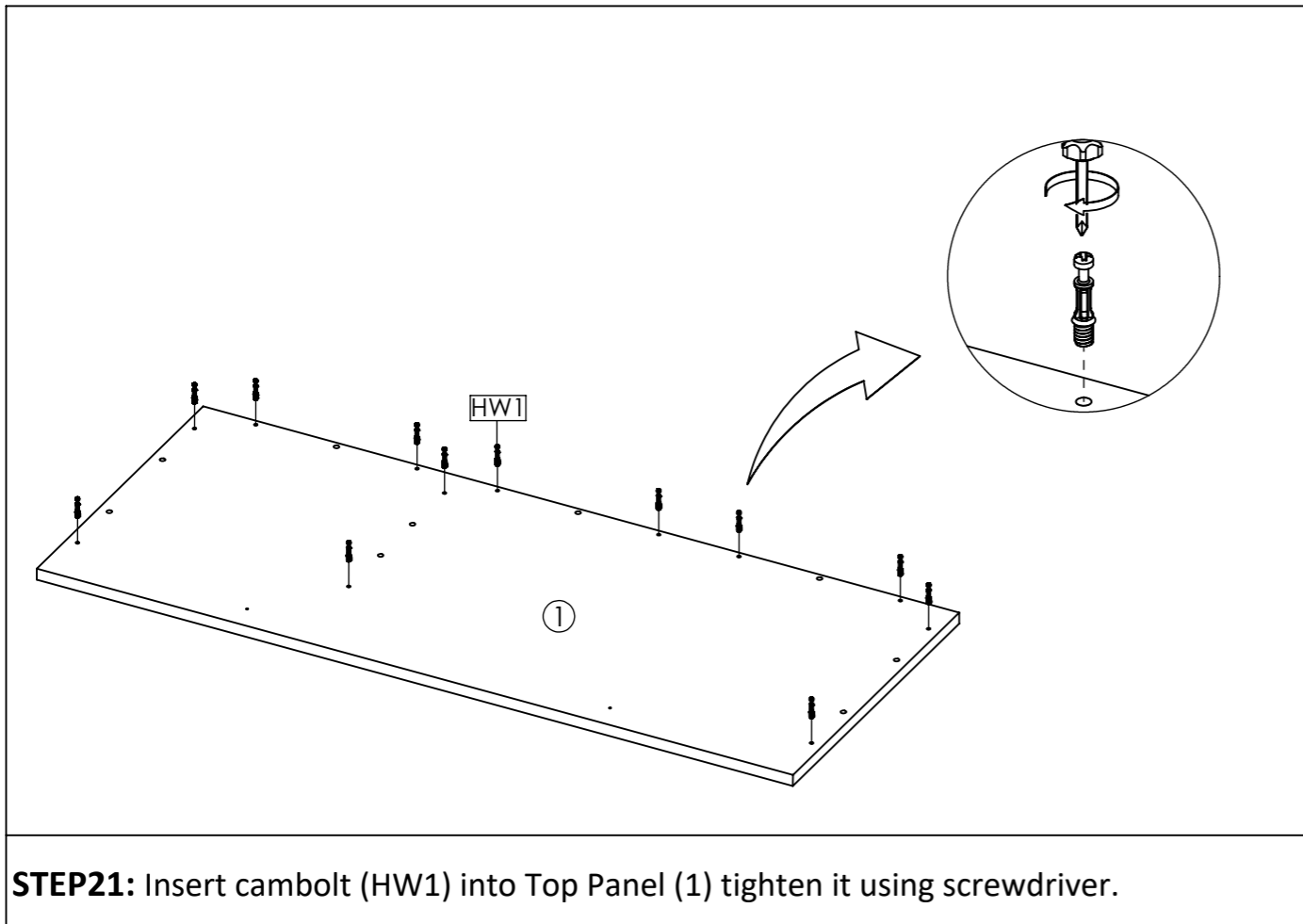
STEP18: Insert Plinth - Front (18) into position as shown in picture. Secure with camlock (HW2) tighten it using screwdriver.



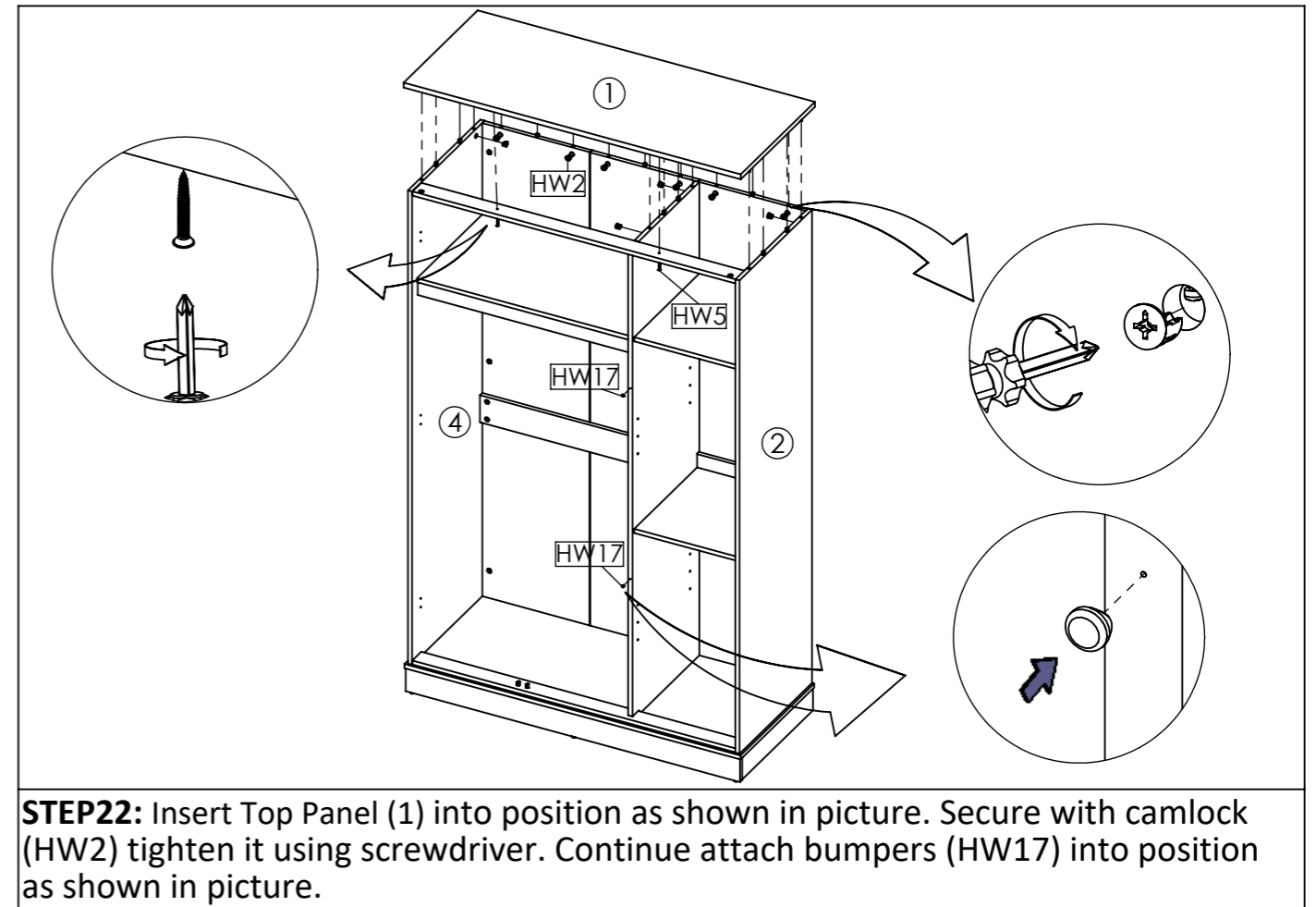
STEP19: Insert Plinth into position as shown in picture. Secure with camlock (HW2) tighten it using screwdriver.



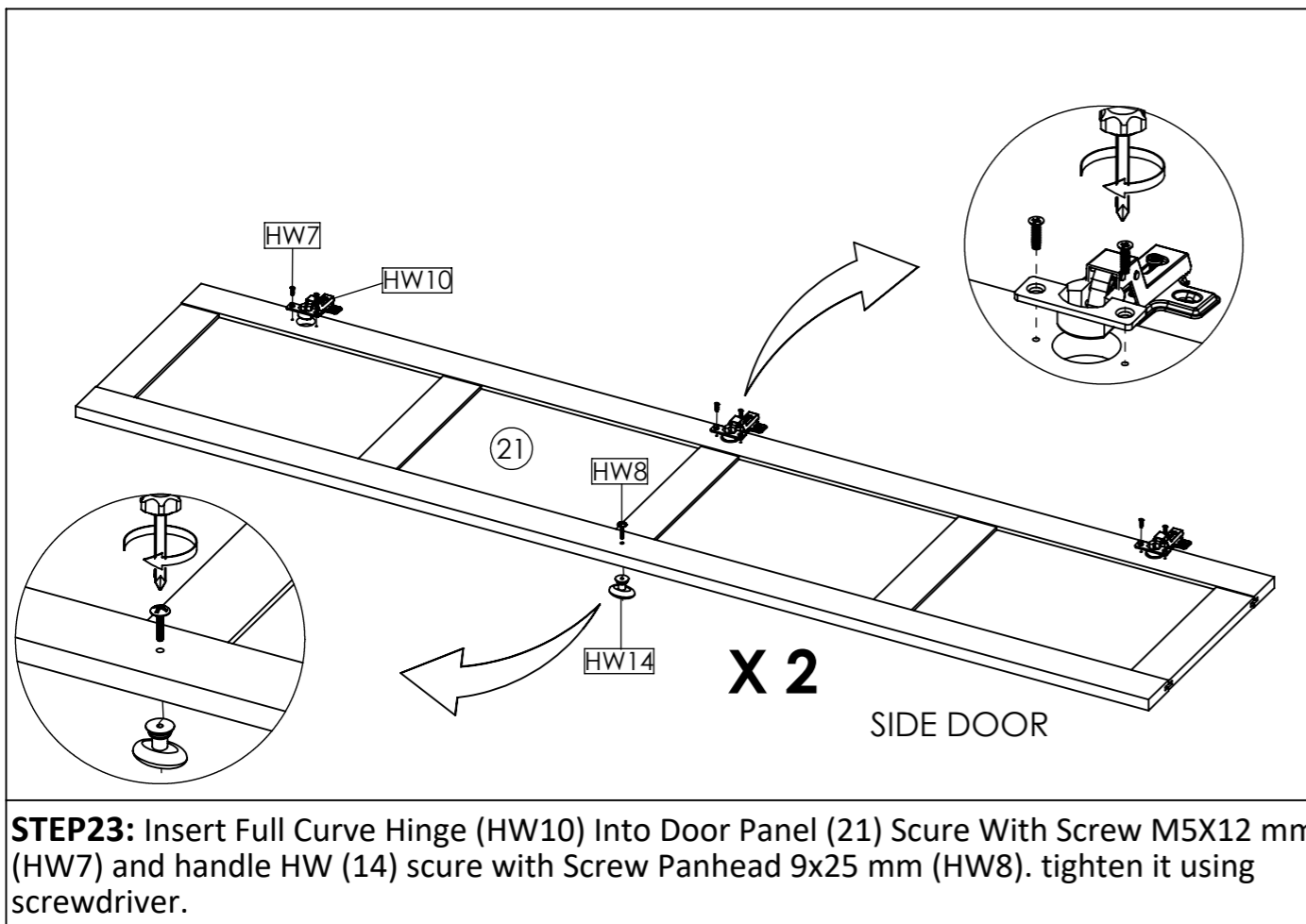
STEP20: Insert camlock (HW2) into Back panel - Right (11) and Back panel - Left (13) tighten it using screwdriver.



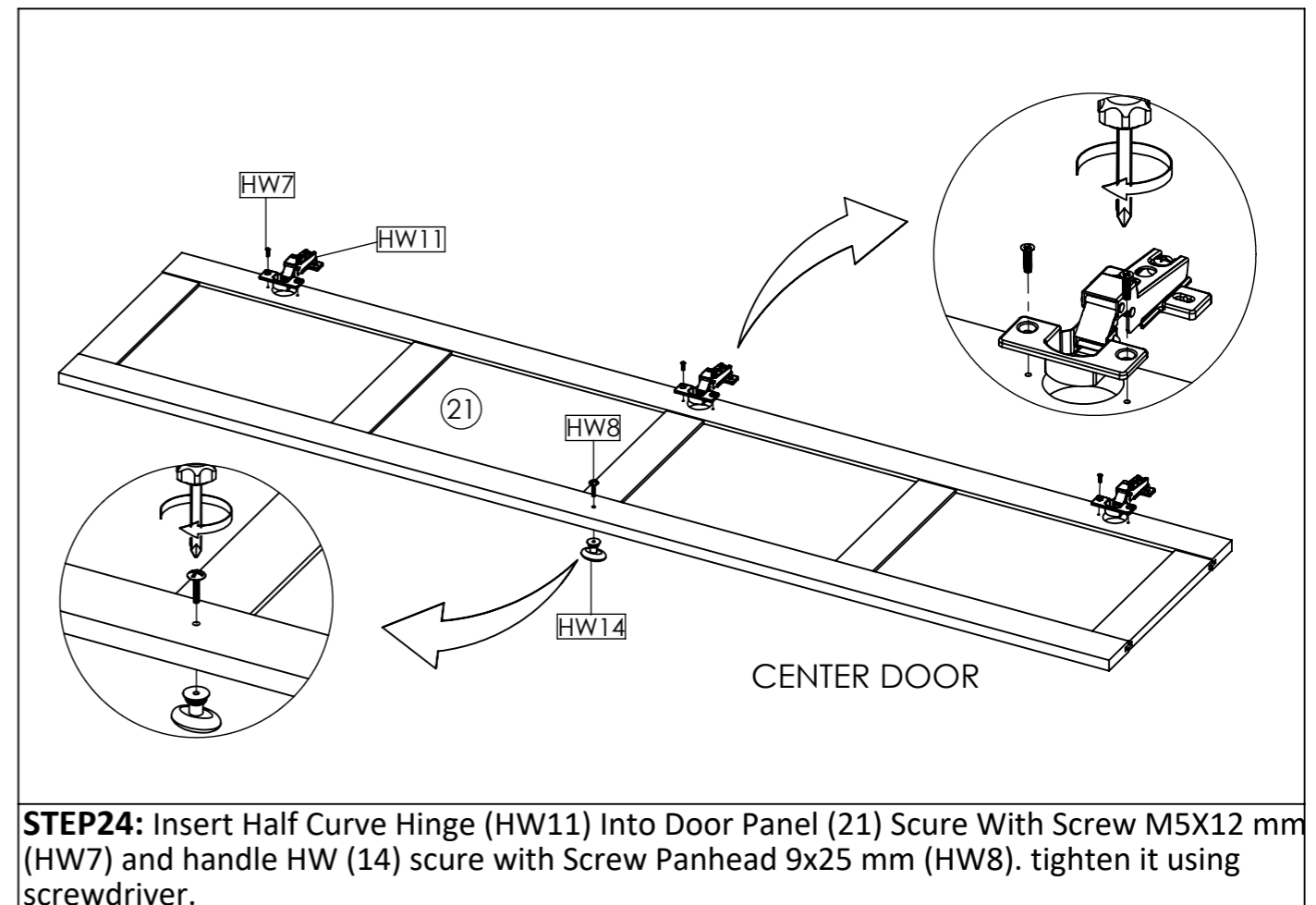
STEP21: Insert cambolt (HW1) into Top Panel (1) tighten it using screwdriver.



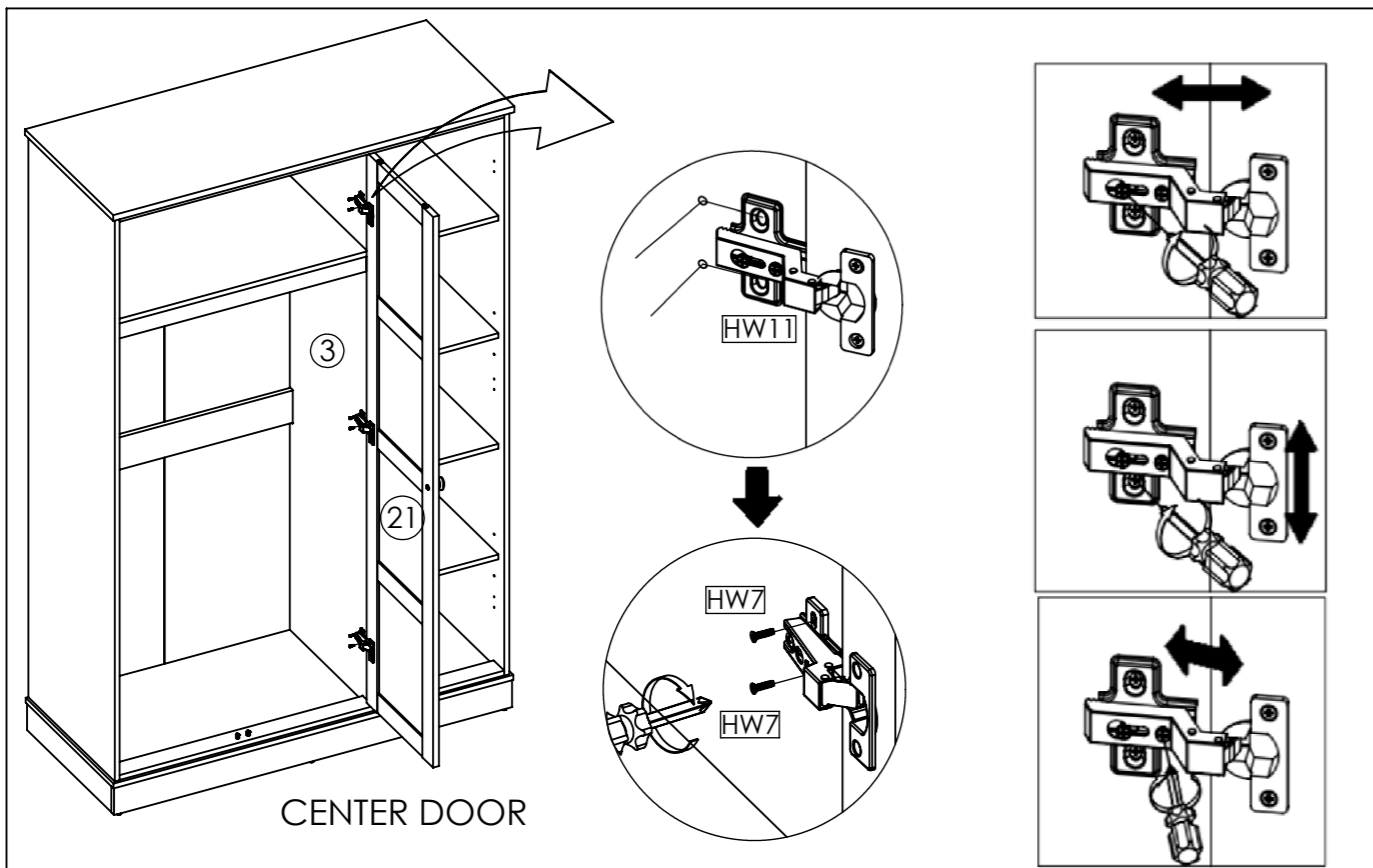
STEP22: Insert Top Panel (1) into position as shown in picture. Secure with camlock (HW2) tighten it using screwdriver. Continue attach bumpers (HW17) into position as shown in picture.



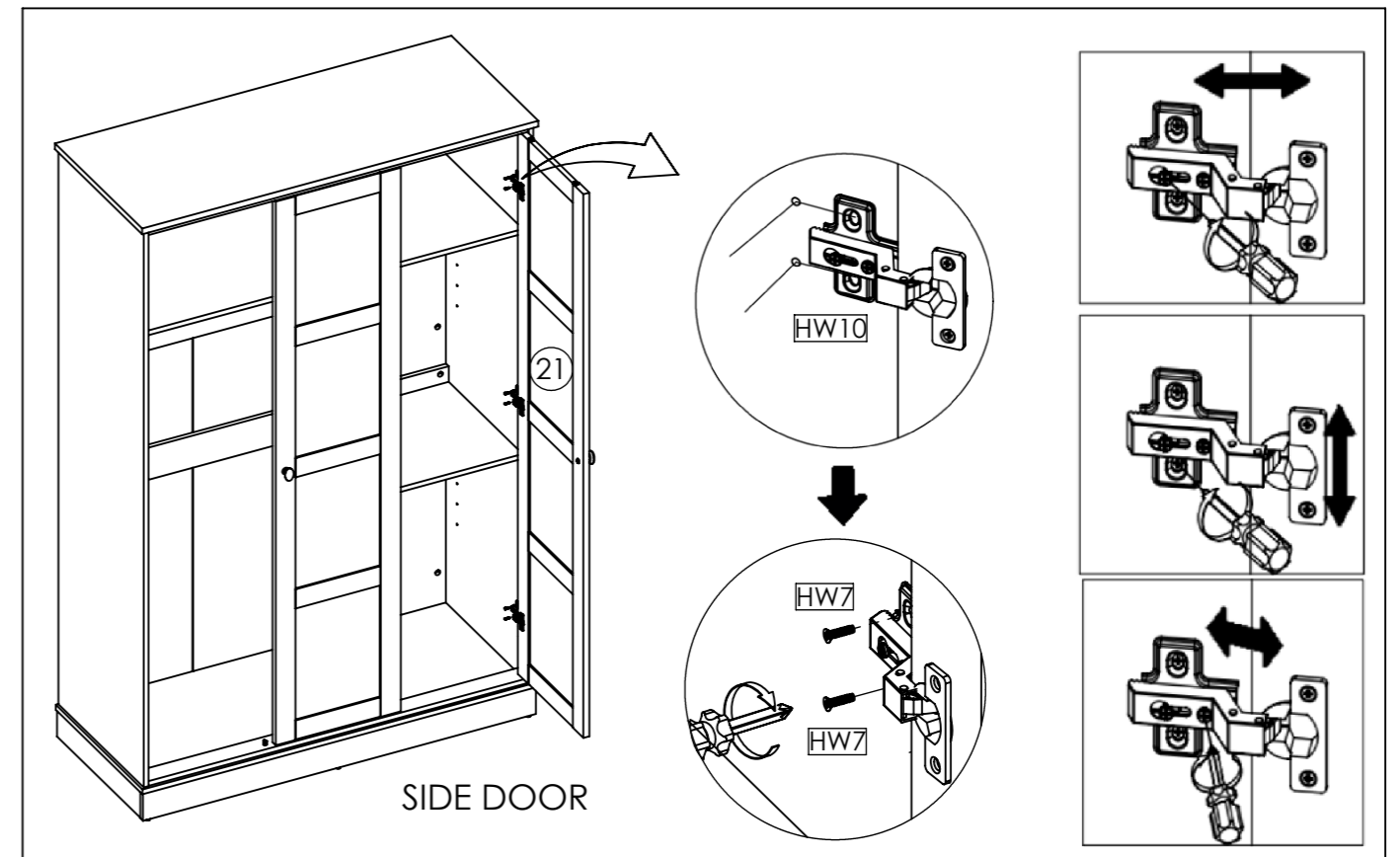
STEP23: Insert Full Curve Hinge (HW10) Into Door Panel (21) Scure With Screw M5X12 mm (HW7) and handle HW (14) scure with Screw Panhead 9x25 mm (HW8). tighten it using screwdriver.



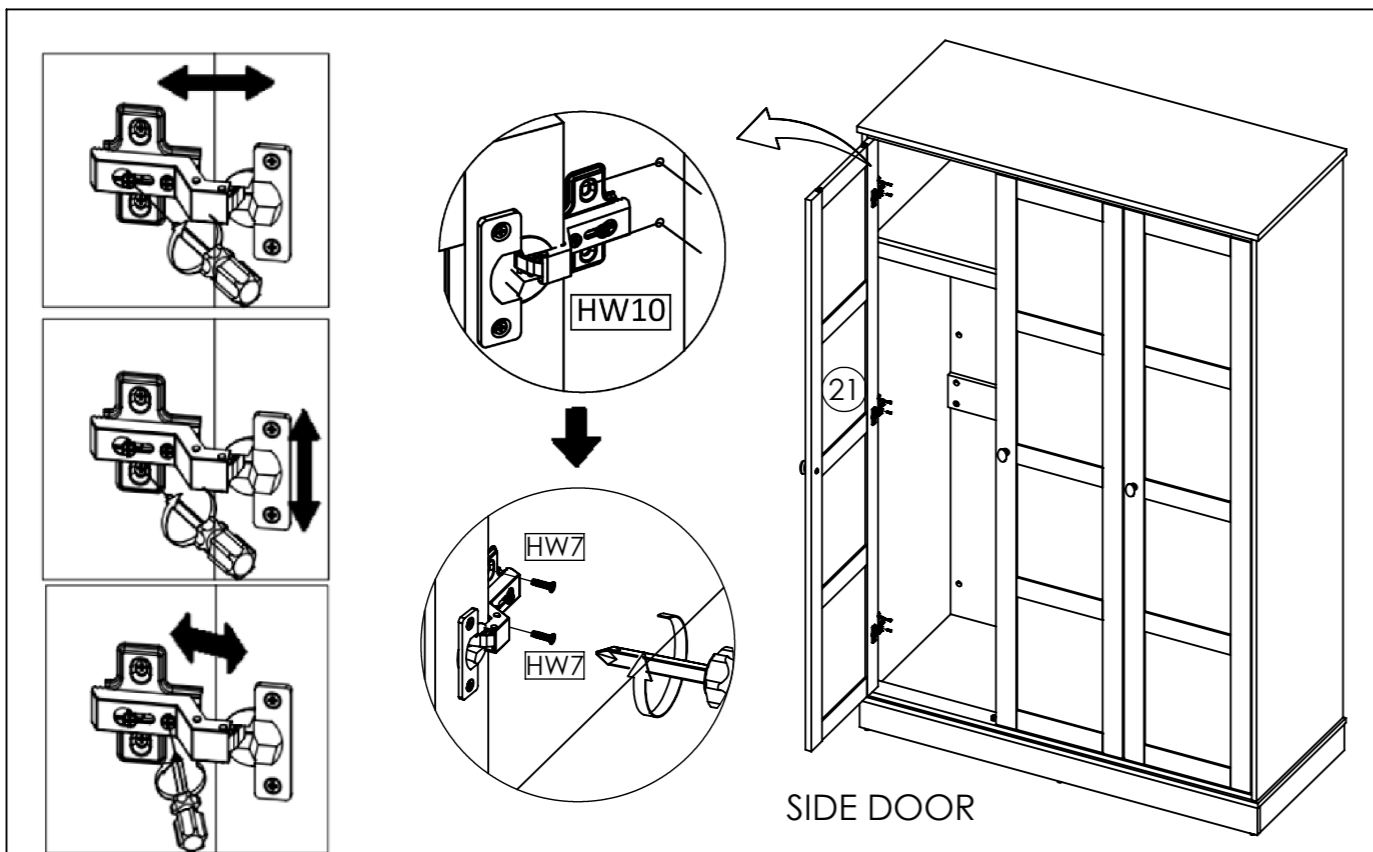
STEP24: Insert Half Curve Hinge (HW11) Into Door Panel (21) Scure With Screw M5X12 mm (HW7) and handle HW (14) scure with Screw Panhead 9x25 mm (HW8). tighten it using screwdriver.



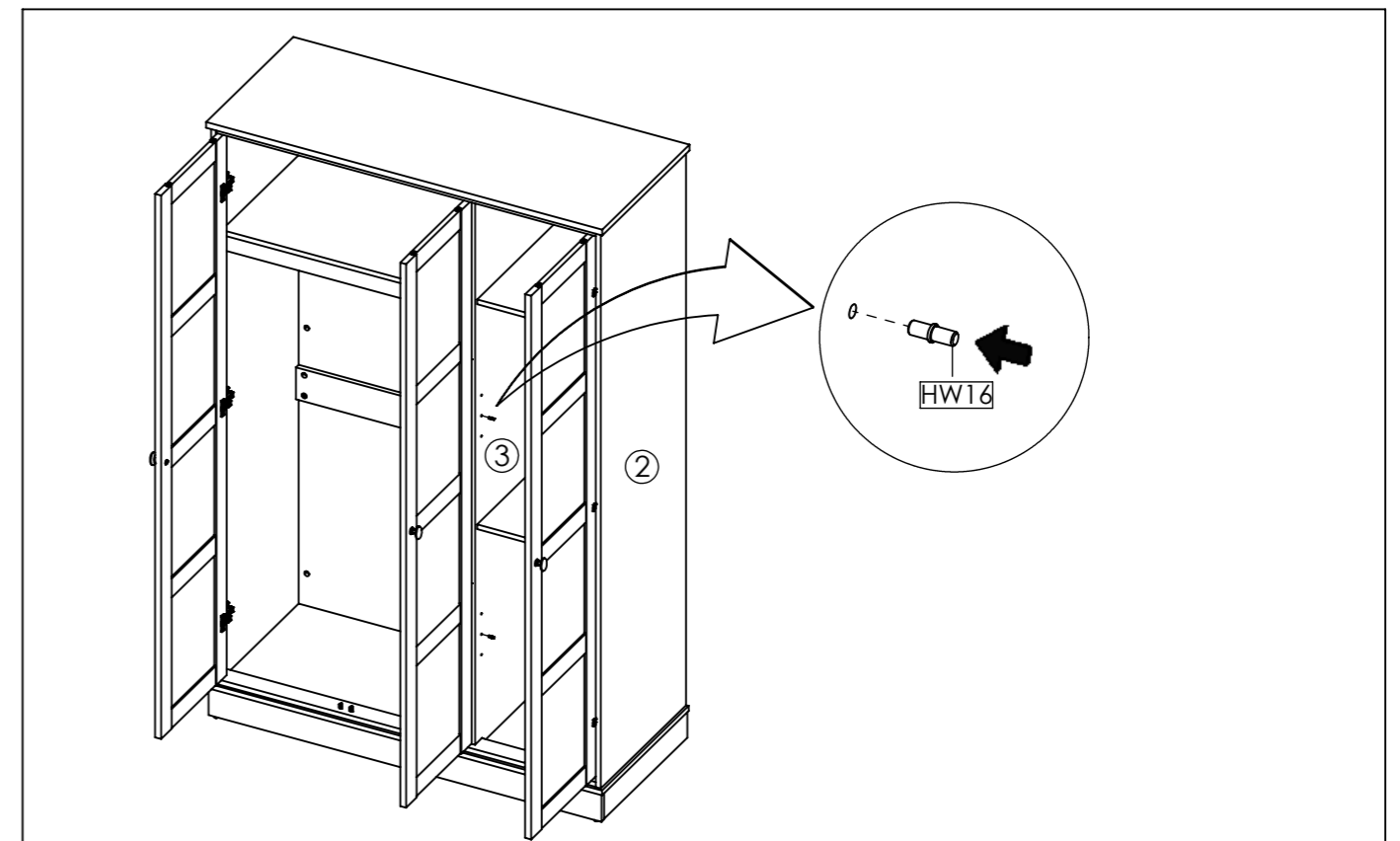
STEP25: Install The Half Curve Hinge (HW11) Into position as shown in picture, Scure With Screw M5X12 mm (HW7). tighten it using screwdriver.



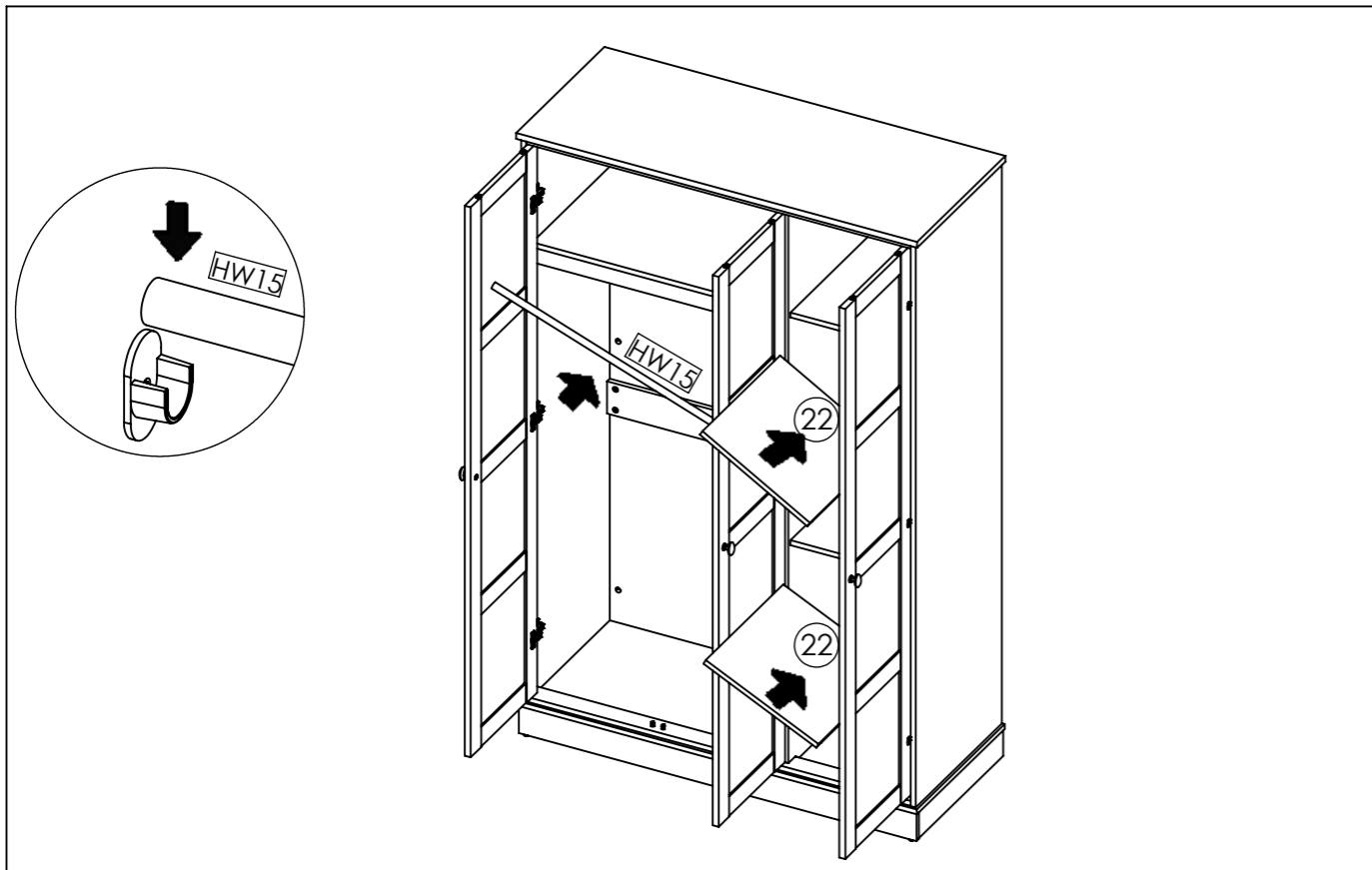
STEP26: Install The Full Curve Hinge (HW10) Into position as shown in picture, Scure With Screw M5X12 mm (HW7). tighten it using screwdriver.



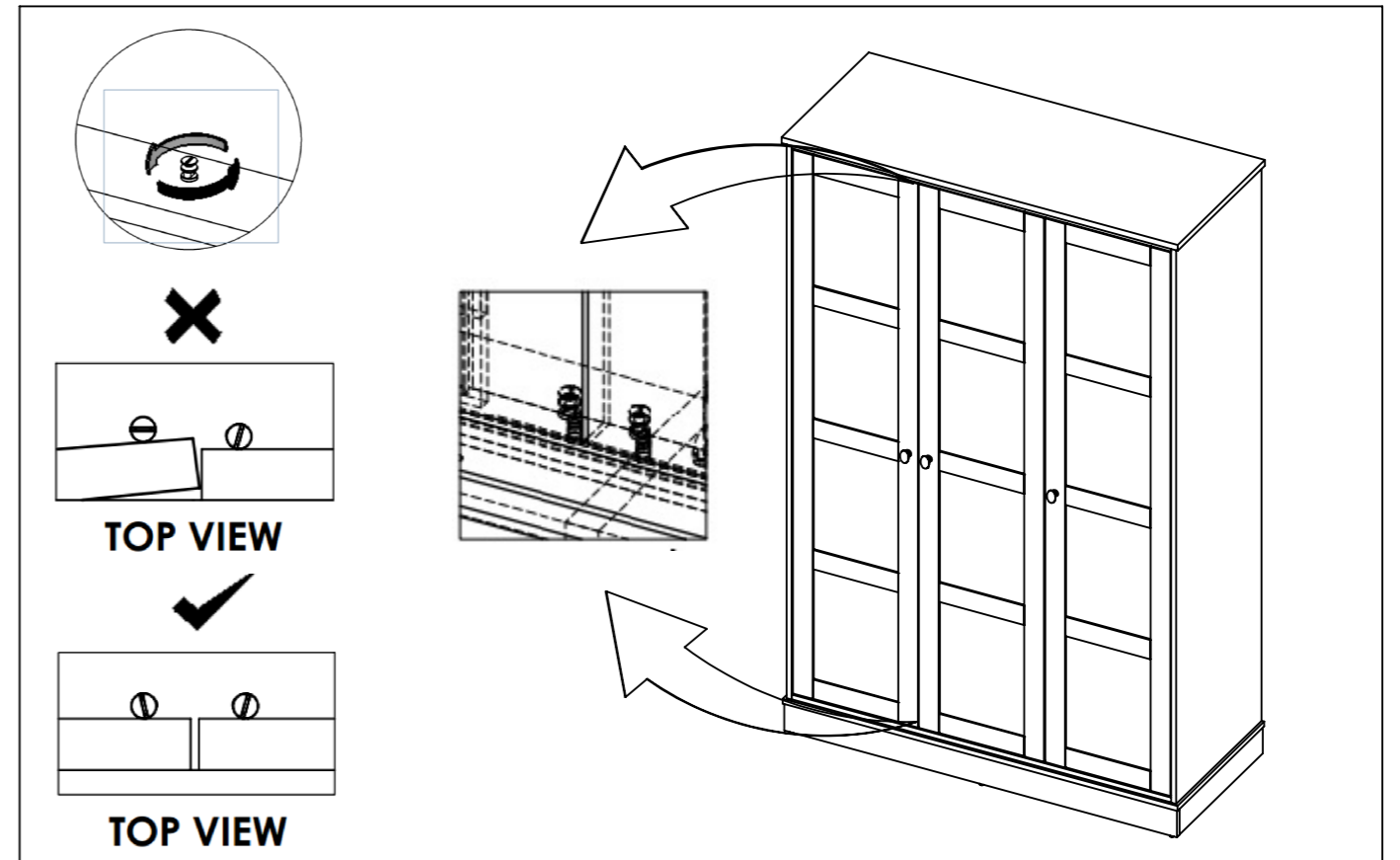
STEP27: Install The Full Curve Hinge (HW10) Into position as shown in picture, Scure With Screw M5X12 mm (HW7). tighten it using screwdriver.



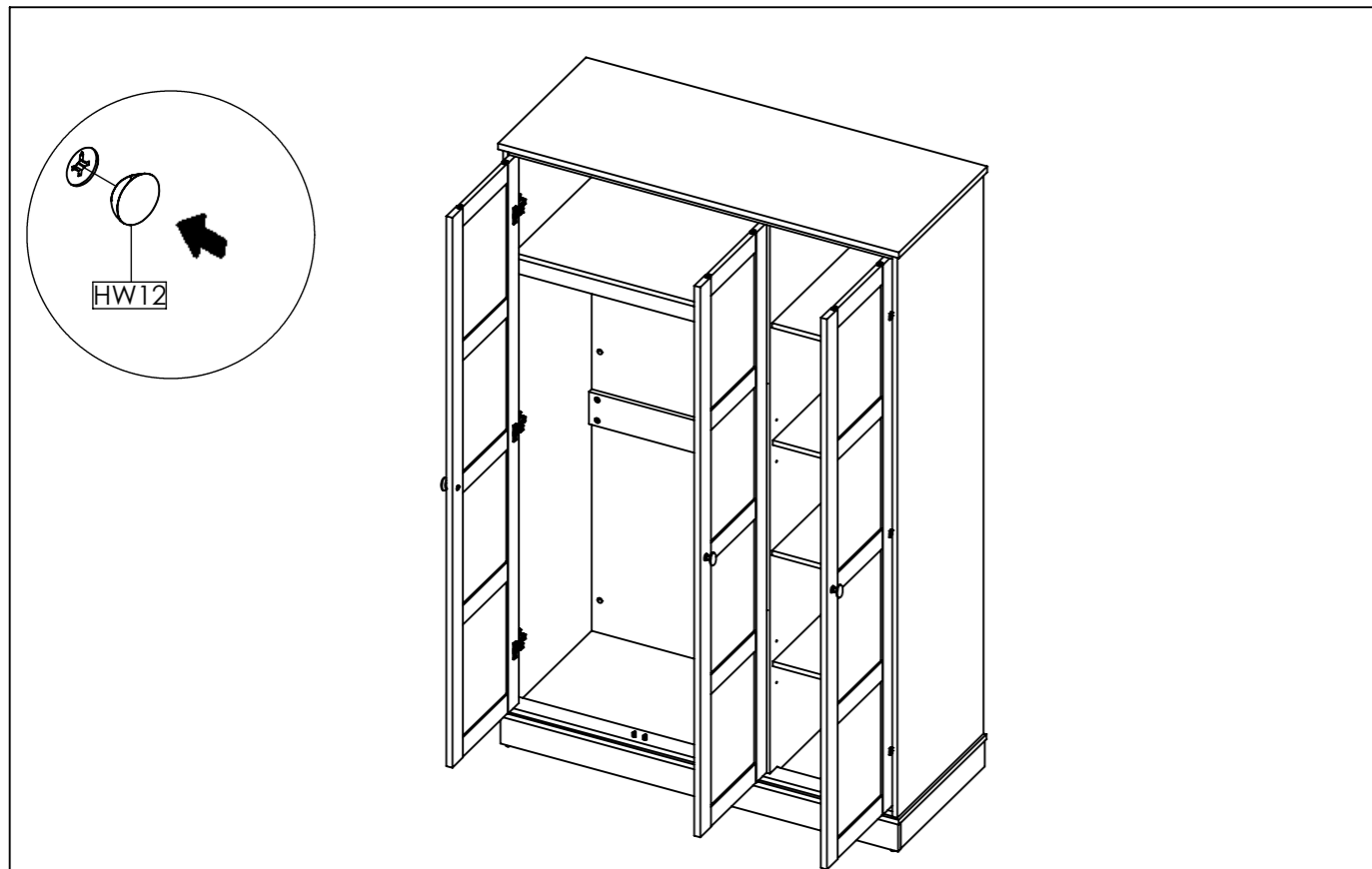
STEP28: Insert Metal Pin (HW16) Into Side Panel - Left (2) and Center - Panel (3)



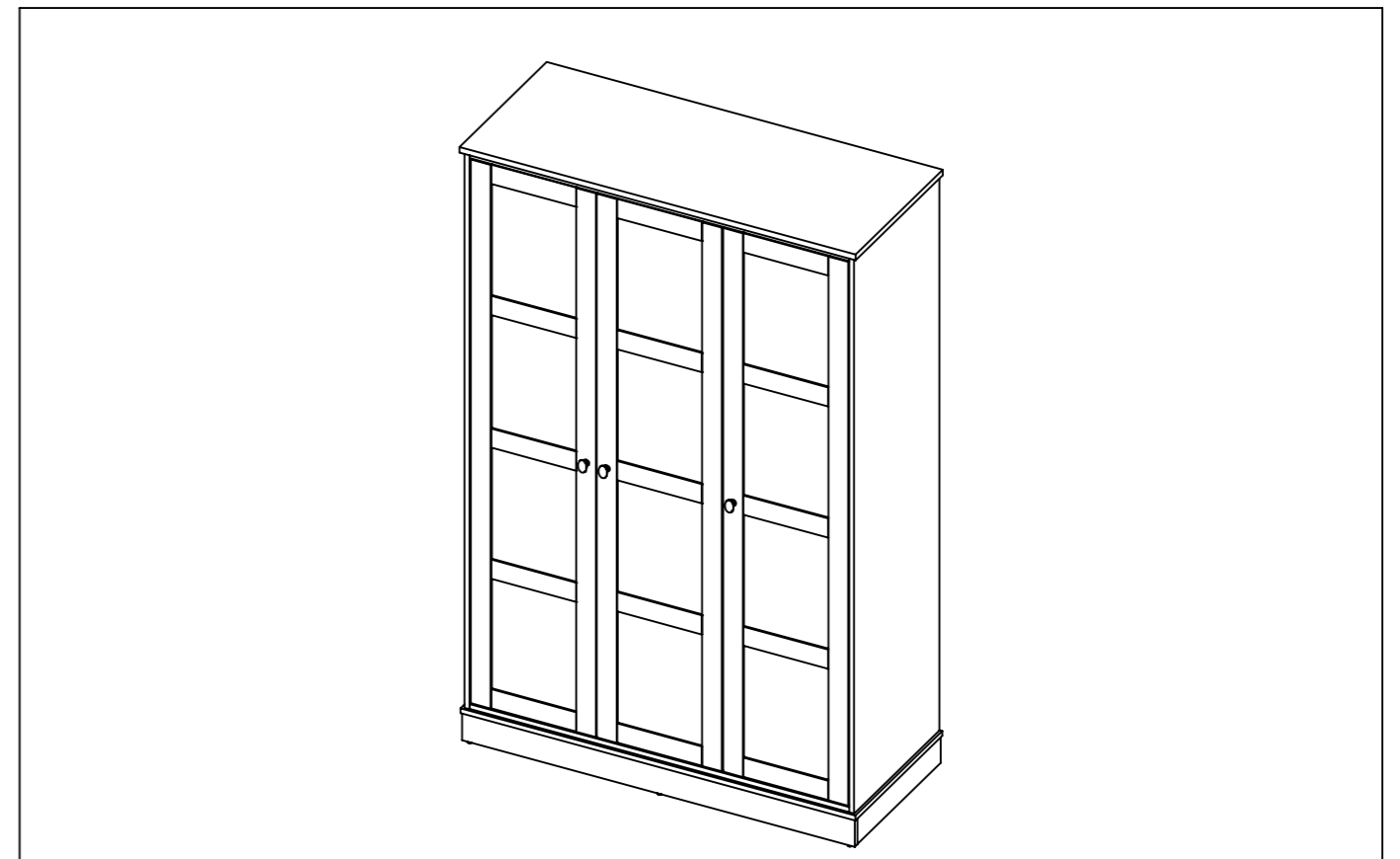
STEP29: Insert pipe $\varnothing 3/4$ "x747 mm (HW15) into Bracket Hanger (HW9). Insert Adjustable Shelf (22) into position as shown in picture.



STEP30: Setting Door Stopper Into position as shown in picture.



STEP31: Attach Cover Cap Sticker (HW12) to the panel that has lamination



STEP2: Assembly is complete.

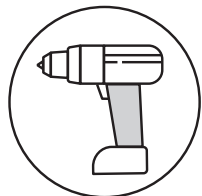


ANTI-TIP RESTRAINT INSTALLATION

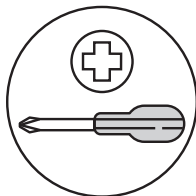
! WARNING!

Children have died from furniture tipover.
To reduce the risk of furniture tipover:

- ALWAYS install tipover restraint provided.
- NEVER allow children to stand, climb or hang on drawers, doors, or shelves.
- NEVER open more than one drawer at a time.
- Place heaviest items in the lower drawers.

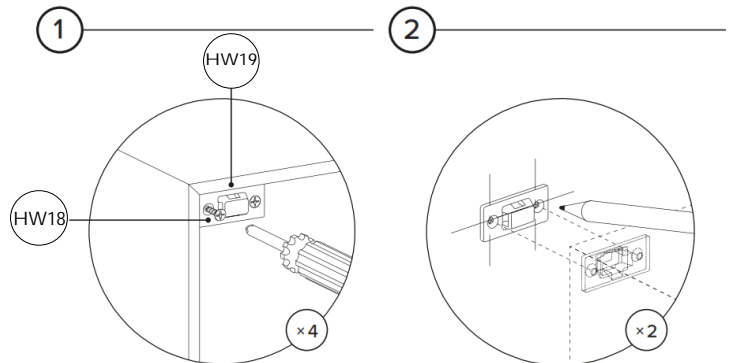


REQUIRED TOOL
8MM / 5/16" DRILL BIT



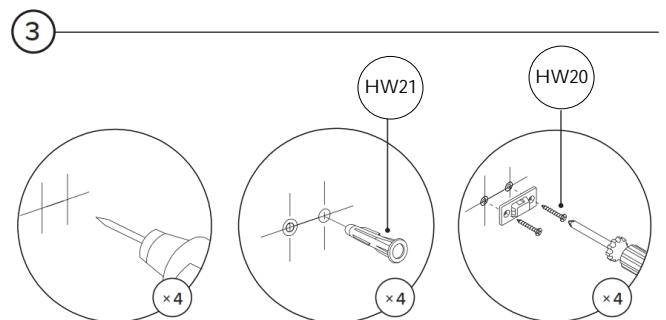
REQUIRED TOOL

! Hardware (HW11 / HW7) to attach brackets to wall is designed for drywall. To attach this unit to another type of wall, consult with your local hardware store.

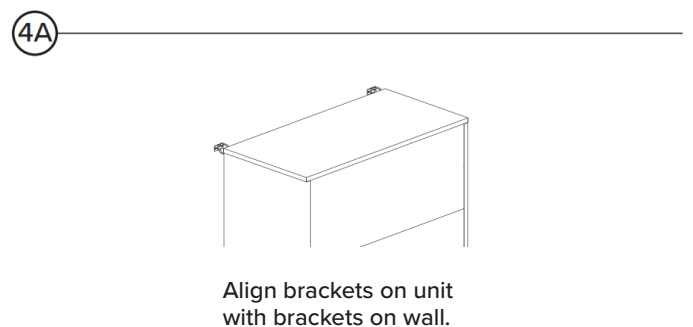


Attach pair of brackets to "Top Panel" of the unit. Note there are no existing pilot holes on the product.

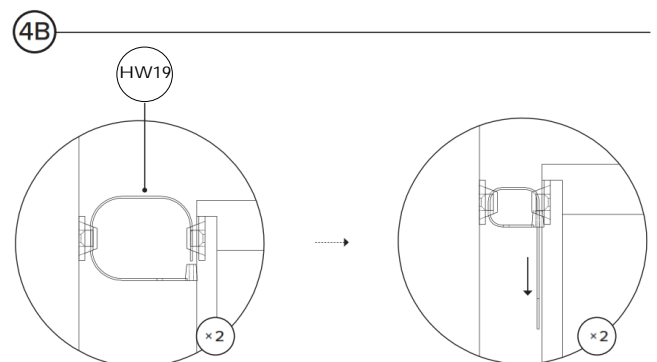
Mark on wall where second pair of brackets should be placed.



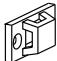
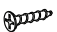
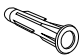
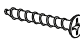

Drill holes in wall using 8mm / 5/16" drill bit.



Align brackets on unit with brackets on wall.



Pull strap down until it snap-locks.

ANTI-TIP RESTRAINT PACK			
ID	DESCRIPTION		QTY
HW19	BRACKET		4
HW18	M6 × 15MM SCREW		4
HW21	M8 × 35MM		4
HW20	M10 × 50MM SCREW		4
HW19	STRAP		2