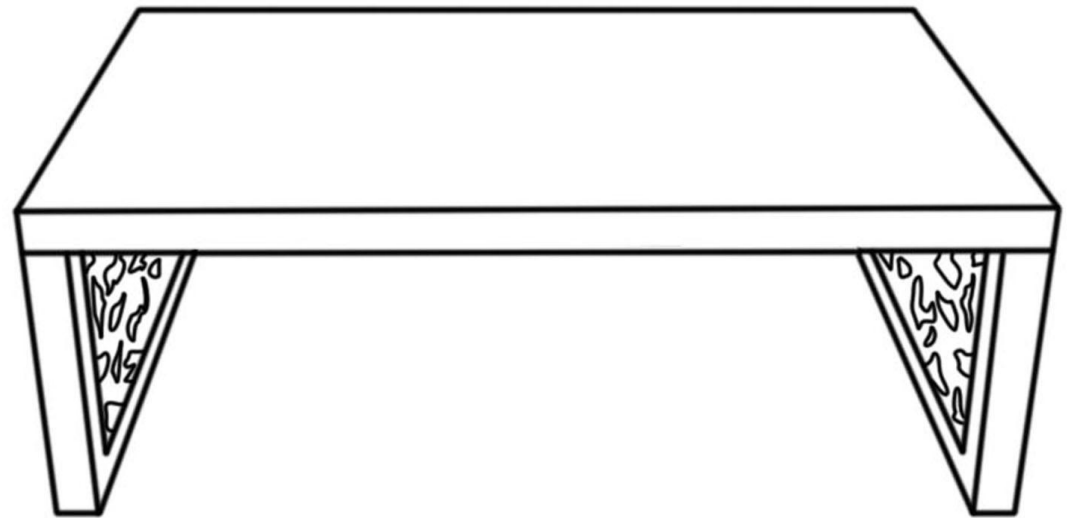

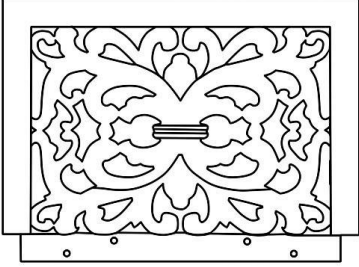
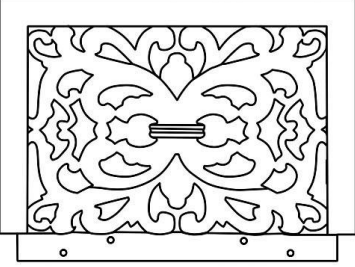





Assembly Instructions



Part List

 <p>Ⓐ X1</p>	 <p>Ⓑ X1</p>
 <p>Ⓒ X1</p>	 <p>① X8</p>
 <p>② X8</p>	 <p>③ X1</p>

Only 1 step

