

COFFEE TABLE

ASSEMBLY INSTRUCTION



ASSEMBLY INSTRUCTION

ASSEMBLY TIPS:

- 1.Remove hardware from box and sort by size.
- 2.Please check to see that all hardware and parts are present prior to start of assembly.
- 3.Please follow attached instructions in the same sequence as numbered to assure fast & easy assembly.

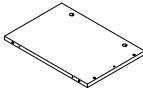
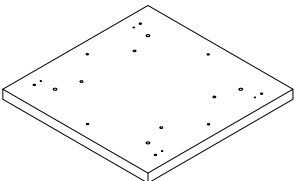
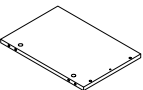
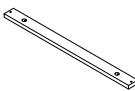
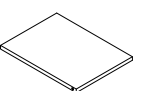
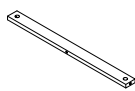
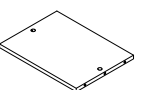
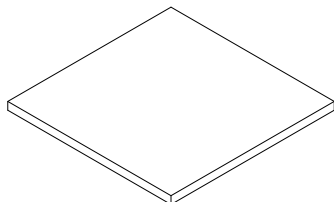


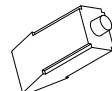

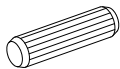
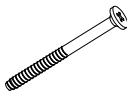
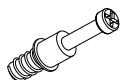
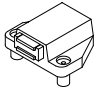
Warning !

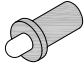
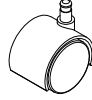
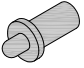
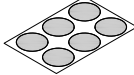

- 1.Don't attempt to repair or modify parts that are broken or defective.Please contact the store immediately.
- 2.This product is for home use only and not intended for commercial establishment.

ASSEMBLY TIME PER UNIT: 30 MINUTES

PARTS IDENTIFICATION:

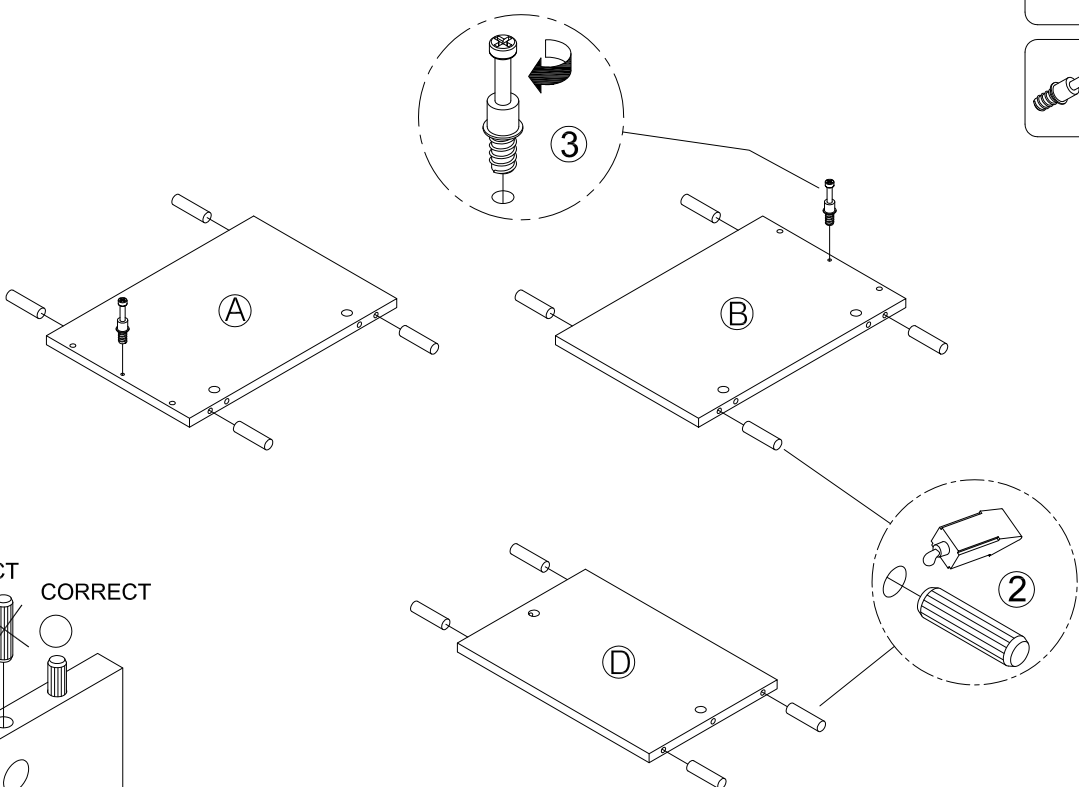
(A) LEFT SIDE PANEL		1 PC	(E) BOTTOM PANEL		1 PC
(B) RIGHT SIDE PANEL		1 PC	(F) LONG CROSS BRACE		2 PCS
(C) DOOR		1 PC	(G) SHORT CROSS BRACE		2 PCS
(D) BACK PANEL		1 PC	(H) TOP PANEL		1 PC

Z HARDWARE PACKAGE							
NO	DESCRIPTION	FIGURE	Q'TY	NO	DESCRIPTION	FIGURE	Q'TY
1	GLUE 40g		1 PC	4	CAM LOCK ϕ 15x12mm		14 PCS
2	WOODEN DOWEL ϕ 8x30mm		20 PCS	5	BOLT ϕ 9.5x55mm		4 PCS
3	CAM BOLT ϕ 7x35.5mm		14 PCS	6	SINGLE MAGNETIC CATCH		1 PC

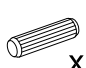
Z							
HARDWARE PACKAGE							
NO	DESCRIPTION	FIGURE	Q'TY	NO	DESCRIPTION	FIGURE	Q'TY
7	FLEXIBLE DOOR DAMPER		1 PC	10	CASTER		4 PCS
8	FIXED DOOR DAMPER		1 PC	11	STICKER $\phi 20\text{mm}$		3 PCS
9	SCREW FOR DOOR		1 PC				

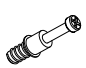
Z10 not included in blister packaging.

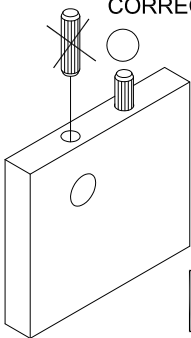
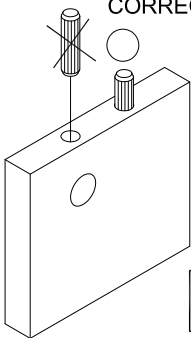
STEP 1 :



The diagram illustrates the assembly of a door panel. It shows four wooden dowels (A, B, C, D) being inserted into the panel. Hardware 2 (flexible door damper) and hardware 3 (fixed door damper) are being installed. A callout shows hardware 3 being inserted into a hole. Another callout shows hardware 2 being inserted into a hole. A legend indicates that hardware 2 is required in a quantity of 12 (x 12) and hardware 3 is required in a quantity of 2 (x 2).

 **2**
x 12

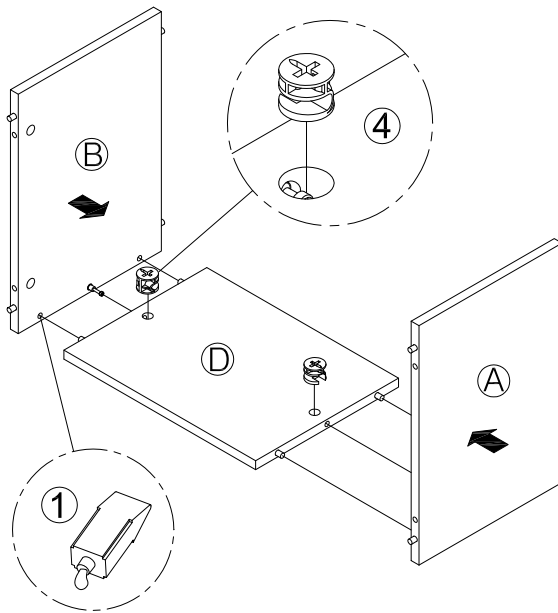
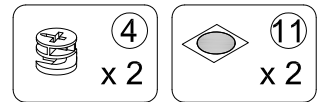
 **3**
x 2

INCORRECT  **CORRECT** 

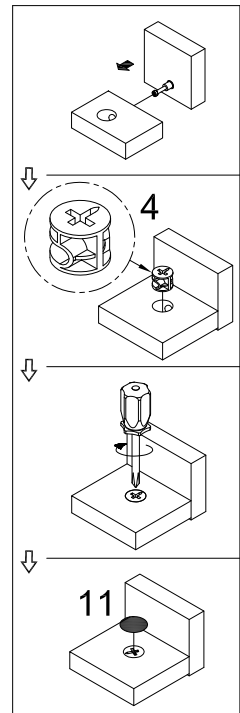
Apply glue on all wooden dowels to ensure integrity of the structure.

ASSEMBLY INSTRUCTION

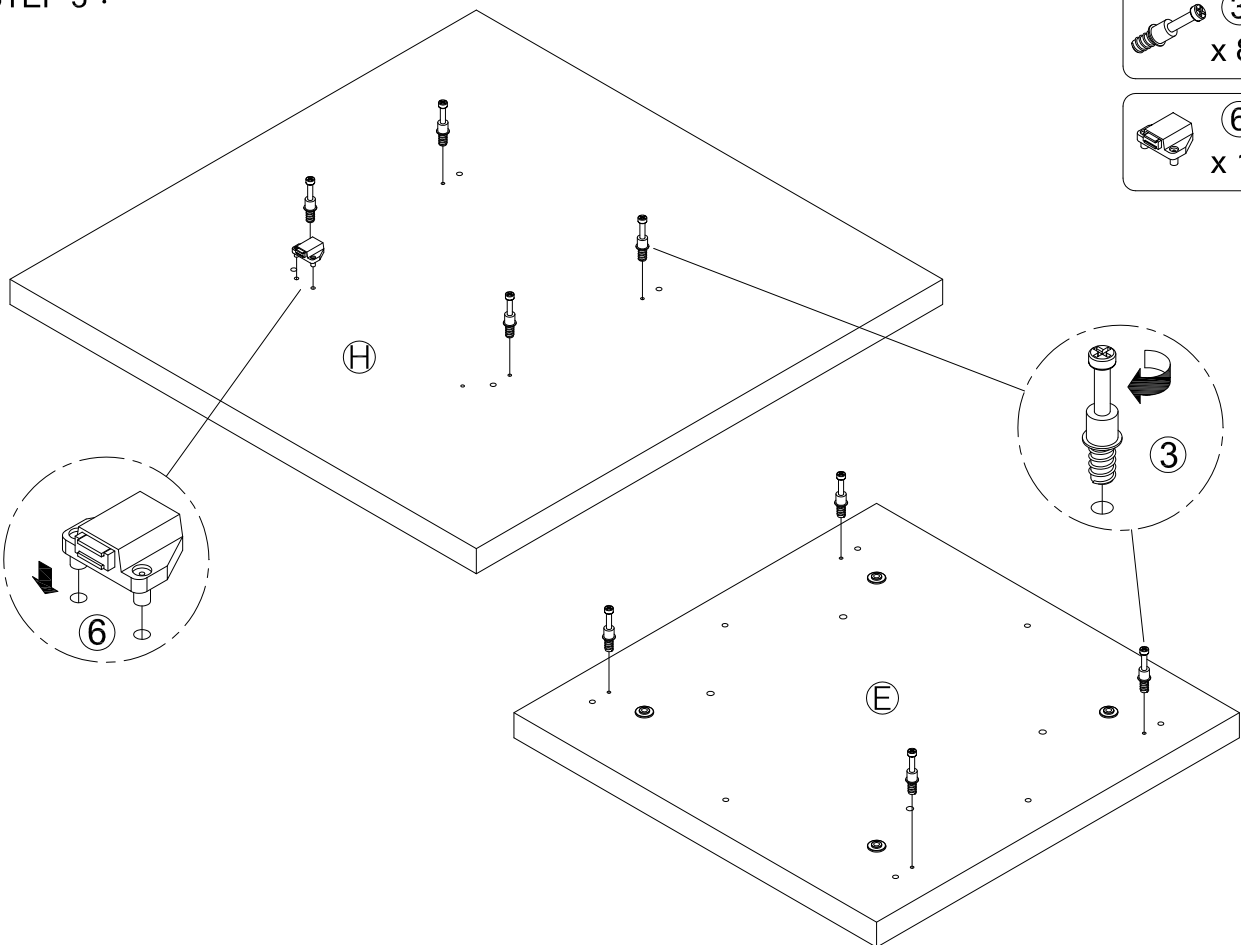
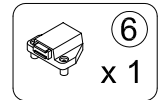
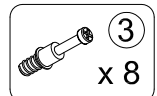
STEP 2 :



Apply glue on all wooden dowels to ensure integrity of the structure.

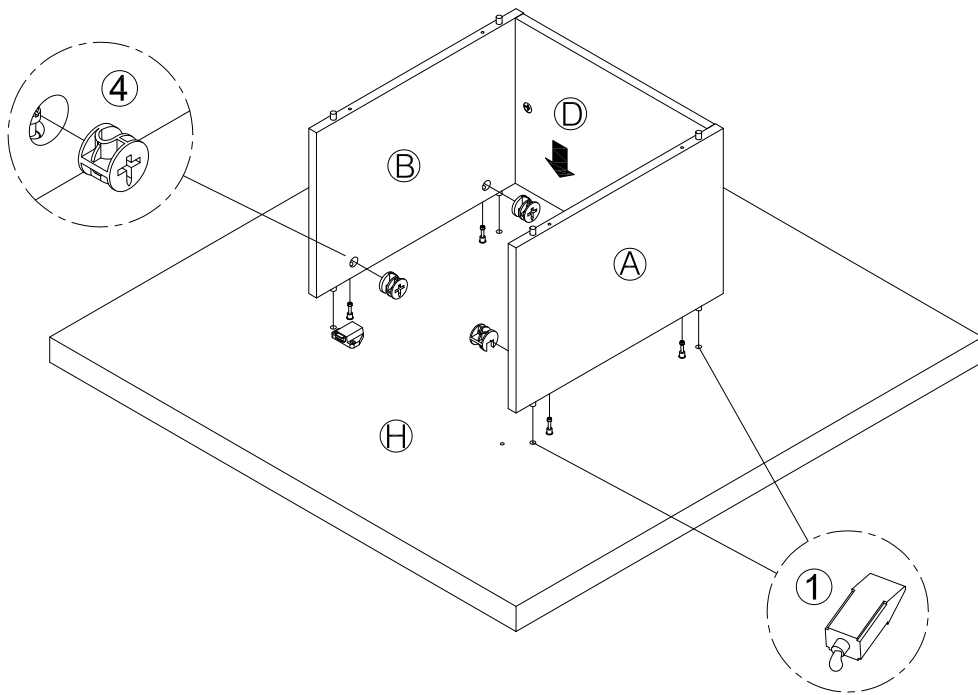
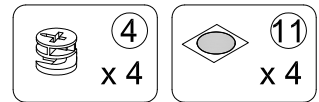


STEP 3 :



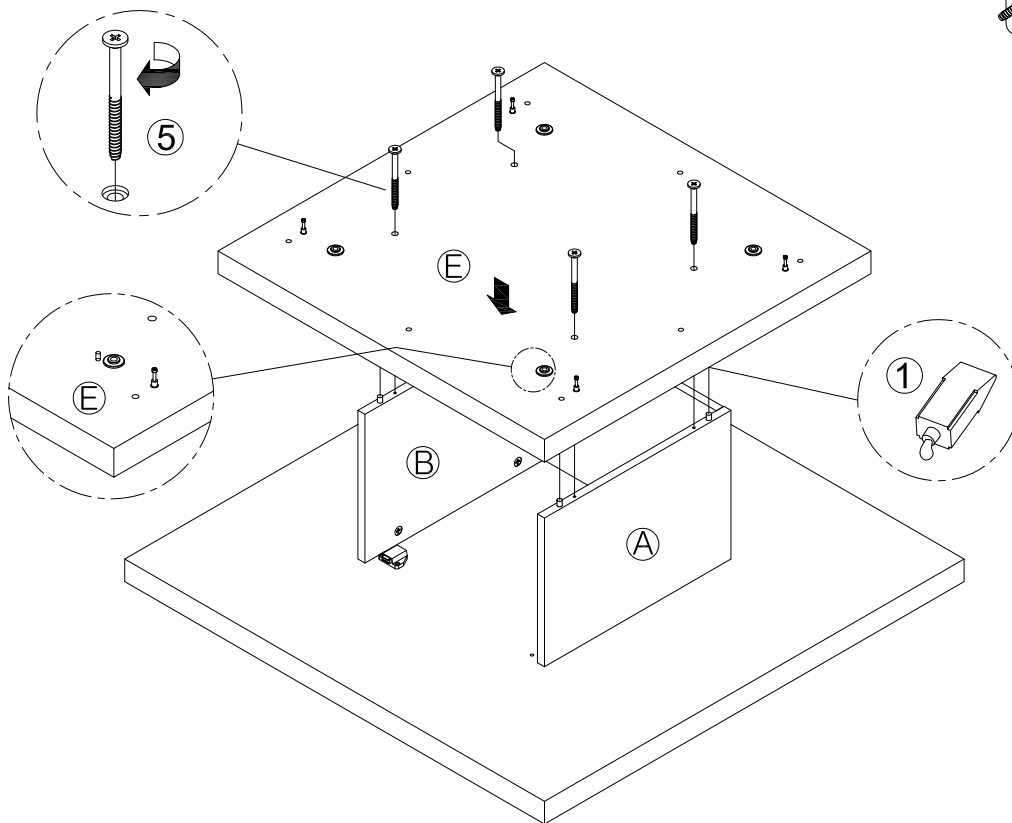
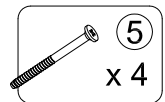
ASSEMBLY INSTRUCTION

STEP 4 :



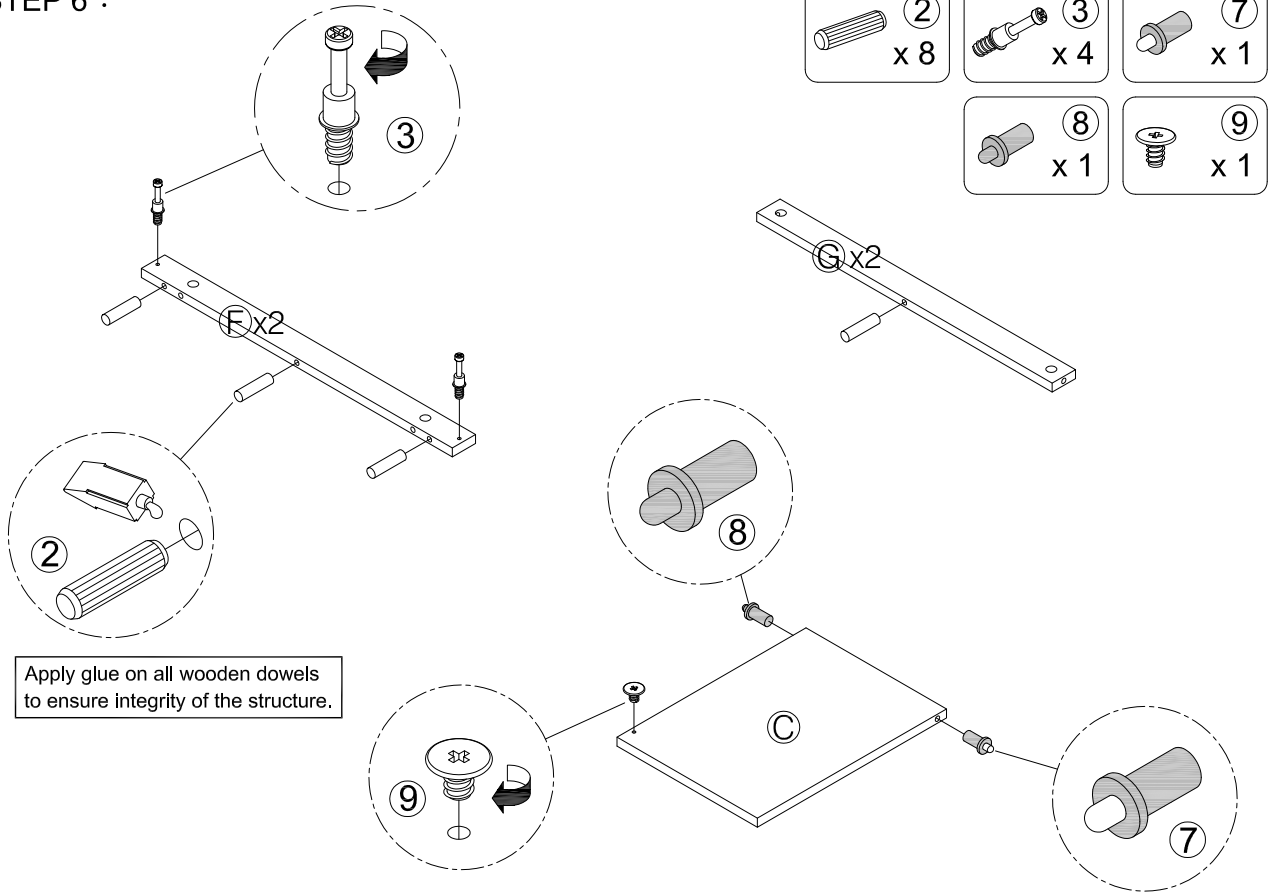
Apply glue on all wooden dowels to ensure integrity of the structure.

STEP 5 :

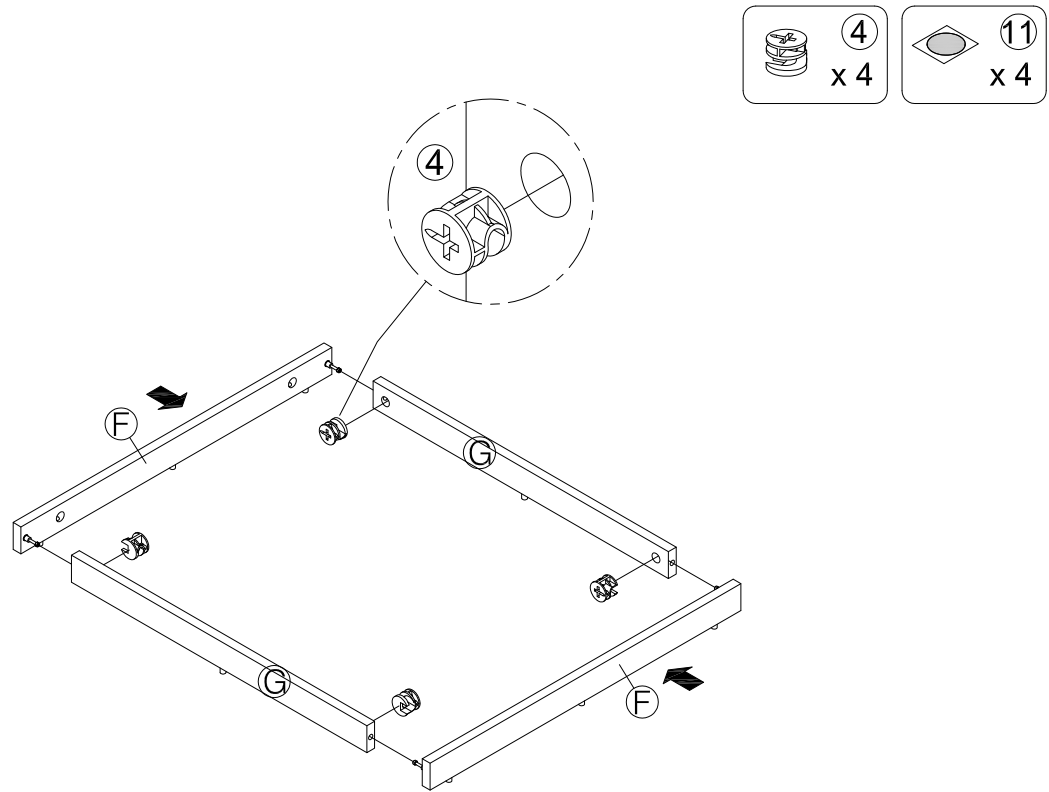


ASSEMBLY INSTRUCTION

STEP 6 :

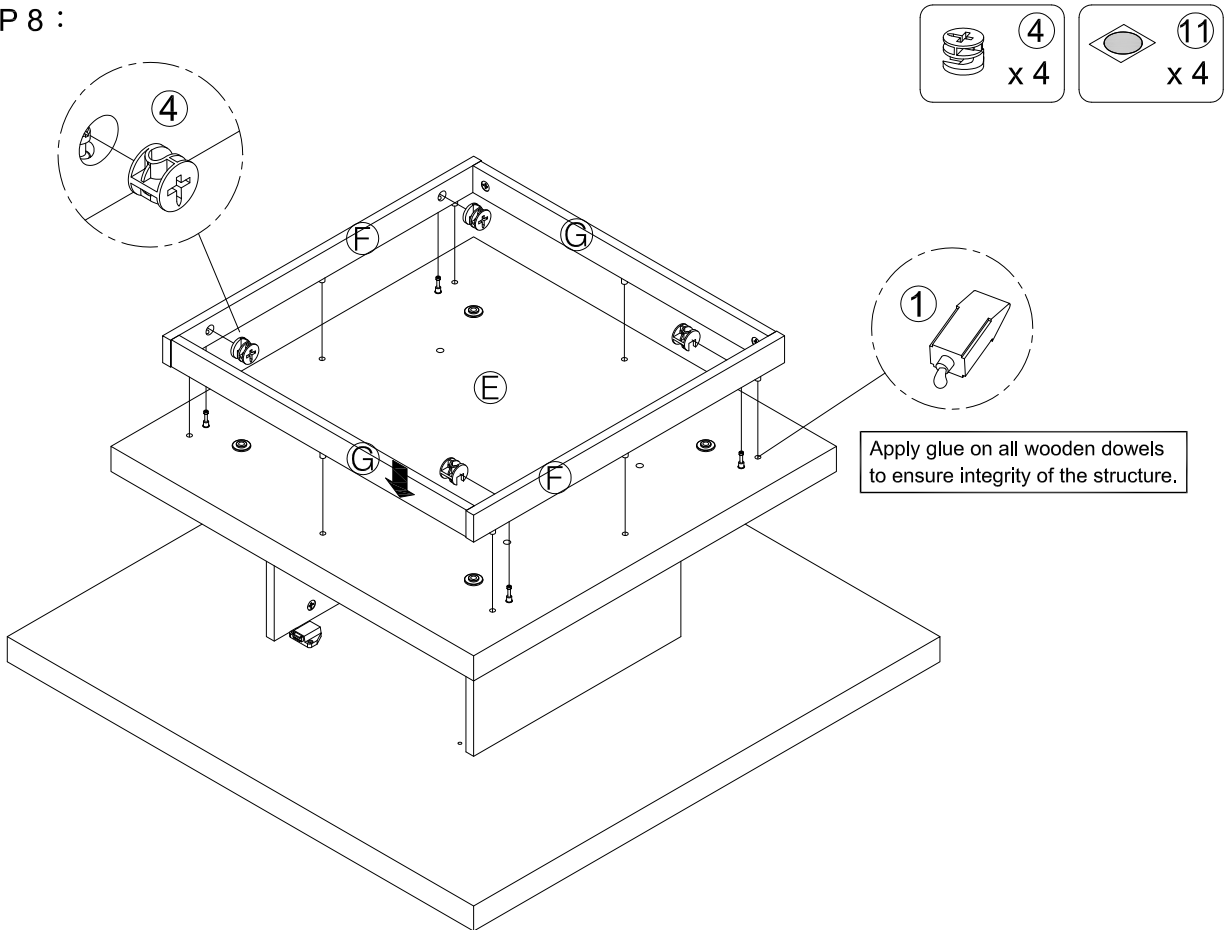


STEP 7 :

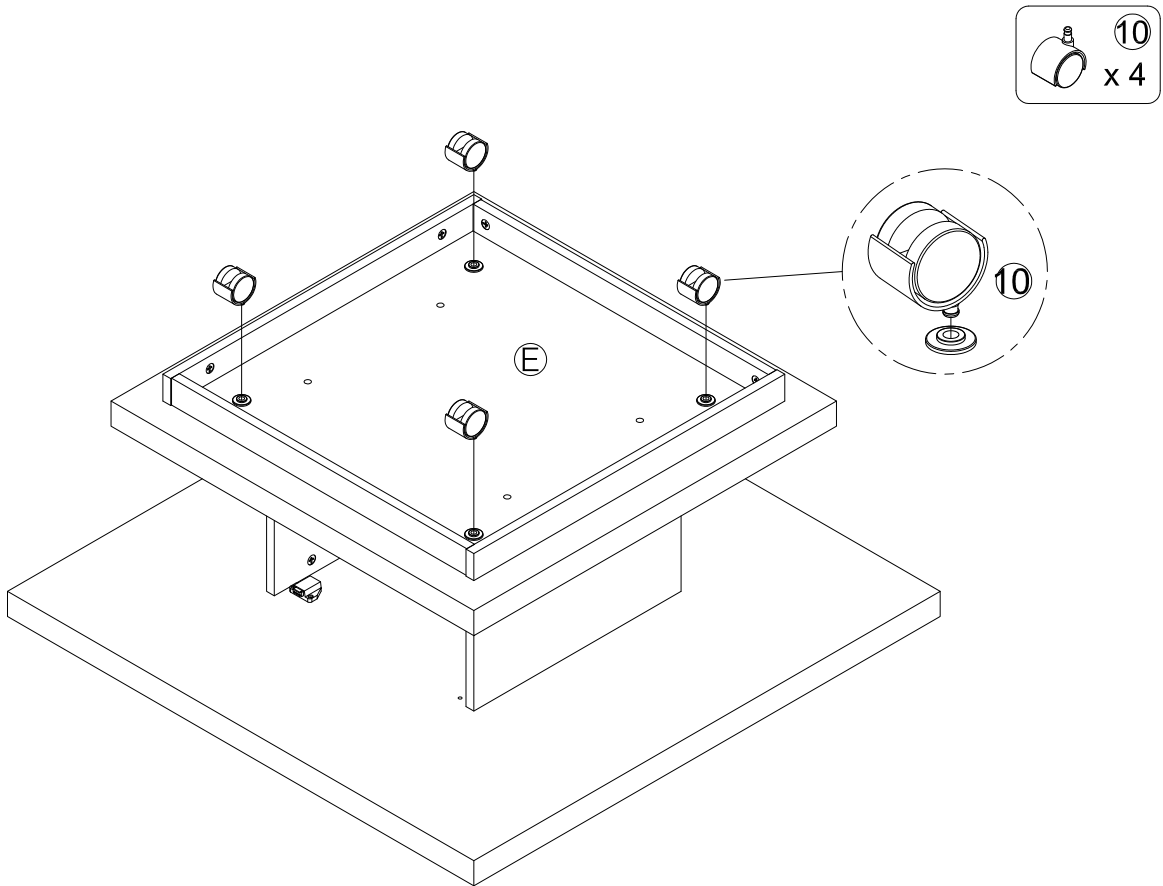


ASSEMBLY INSTRUCTION

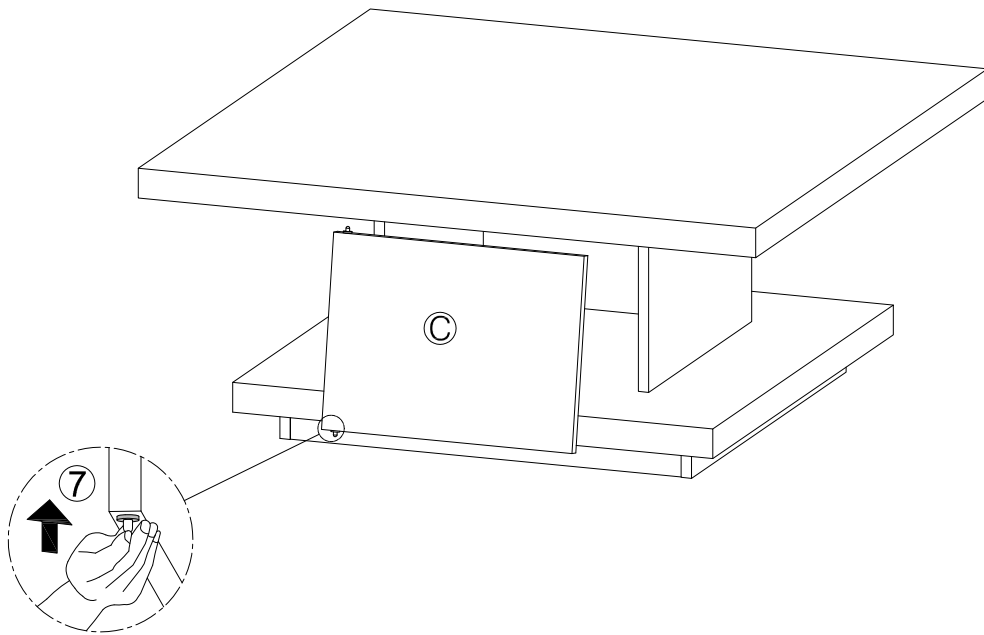
STEP 8 :



STEP 9 :



STEP 10 :



FINISH

