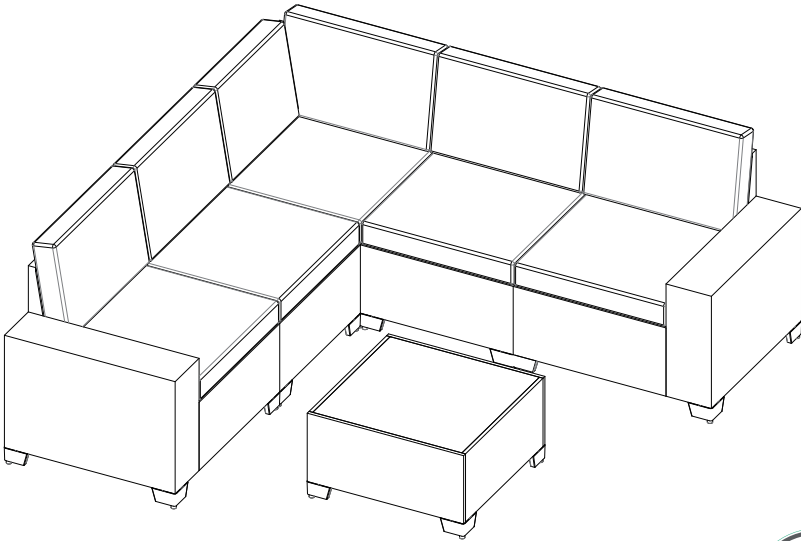


# Steel wicker sofa set



## Thank you for choosing us!

Our goal is to provide high quality outdoor furniture with outstanding customer service-all at an affordable price.

Please let us know how we are doing!

## Problems?

(Missing pieces, wrong pieces...)

We will fix it immediately. Send us an email

## Happy?

Please leave us a review!

You can make others happy too!



Tip: We recommend flattening the boxes to use as a protective work surface, or setting up your new furniture on a soft floor like a carpet.



**IMPORTANT, RETAIN FOR  
FUTURE REFERENCE:  
READ CAREFULLY.**

## **Safety**

- For domestic use only.
- Always use on firm level ground.
- Don't tighten all the bolts before the product is fully assembled.
- It would be useful to ask someone to help you assemble the product.
- Periodic structural checks of this product should be undertaken, do not use if you have any doubts about its fitness for purpose.
- Do not stand on the seat.
- Do not let children play with this product.
- Maximum load per seat: 250 lbs.

## **At the beginning of the season**

- Check to ensure that all components and fixings of this product are secure, do not use if you have any doubts about its fitness for purpose.

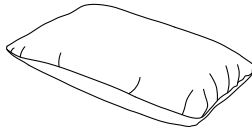
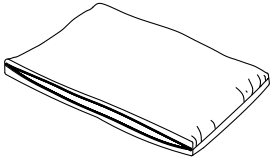
## **At the end of the season**

- This product should be stored under cover during prolonged spells of adverse weather (wet or cold) and also during the winter (ideally in a garden shed or garage).
- Always clean and dry thoroughly before storage.

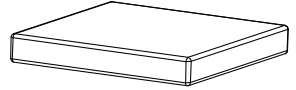
# How to Put on the Cushion Cover

---

1

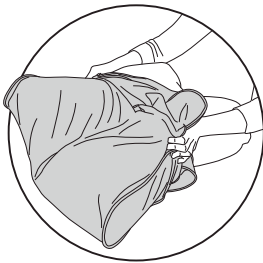


OR



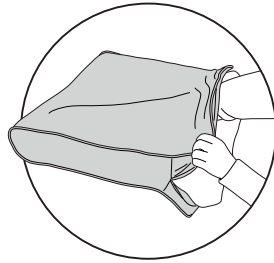
1. Take the cushion covers and inners out of the carton.

2



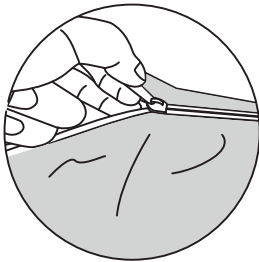
2. Fold the inner in half, pushing the sides together, then begin to slide the cover onto it.

3



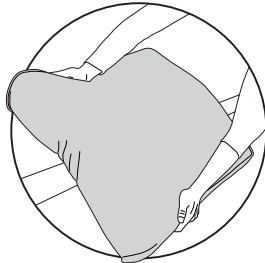
3. Align both far corners, then gently compress insert while fitting cover around it.

4



4. To avoid a stuck zipper, please pull the fabric away from the zipper before moving forward.

5



5. When all done, please pat the cushion or give it a little shake to make it more flat.

## Care & Cleaning Guidelines

The covers are machine washable. Before washing, please zip the cover up to avoid catching other clothes. You can clean the dust on the chair / table / footstool with a damp cloth.

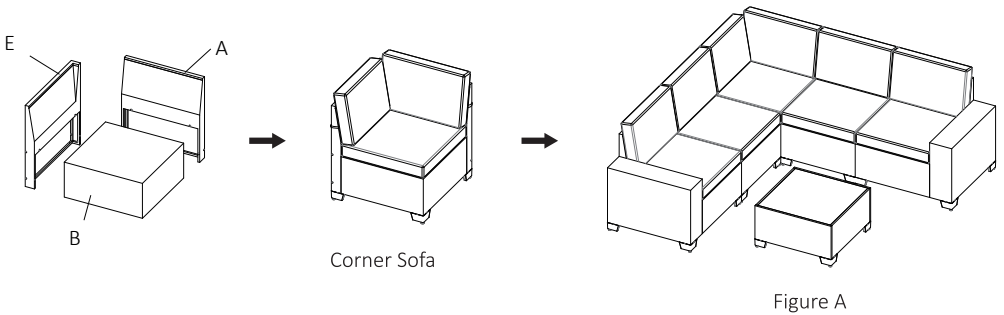
# IMPORTANT

Please make a decision which model you want to put modules together, because you have to use different parts to make it either a corner sofa or an armless sofa.

**Option 1:** Seat Base(B)+Back Panel(A)+Back Panel(E), can be assembled as the corner sofa, then you can put them together as corner sofa set model (Figure A).

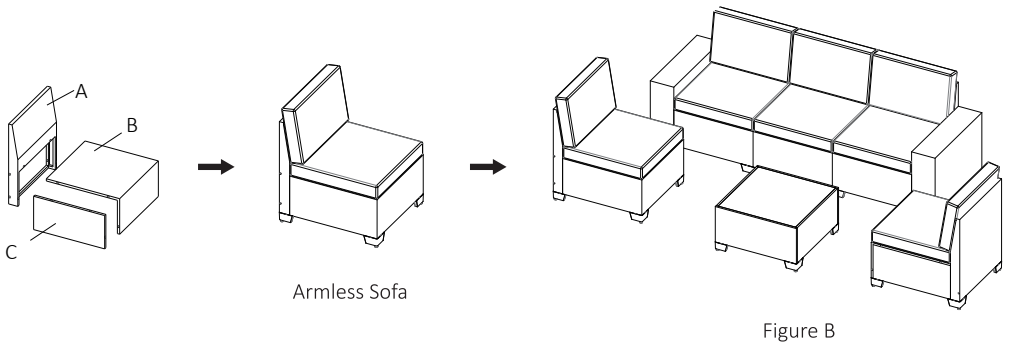
**Option 2** Seat Base(B)+Back Panel(A)+Side Panel (C) can be assembled as the third armless sofa, then you can put them together as living sofa set model (Figure B).

## Option 1




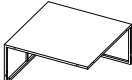
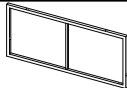
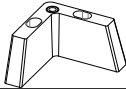
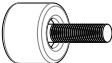



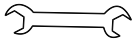

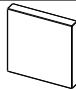
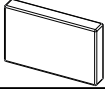
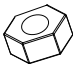

**6 Pcs Corner Sofa Model**

## Option 2



**6 Pcs Living Sofa Model**

## COMPONENT LIST - ARMLESS SOFA X 2

| Item no. | Reference Image   | Description             | Qty. |
|----------|---|-------------------------|------|
| A        |    | Back Panel              | 1    |
| B        |    | Seat Base               | 1    |
| C        |    | Side Panel              | 1    |
| O        |    | High L-Shaped Feet      | 4    |
| P        |    | Screw Feet              | 4    |
| Q        |    | M6*45<br>Head Cap Screw | 4    |
| S        |    | M6*30<br>Head Cap Screw | 3    |
| L        |    | M6*25<br>Head Cap Screw | 8    |
| V        |   | Wrench                  | 1    |
| W        |  | Allen Key               | 1    |
| Z        |  | Seat Cushion<br>Foam    | 1    |
| Y        |  | Long Back<br>Cushion    | 1    |
| R        |  | Nut                     | 4    |
| T        |  | Washer                  | 11   |

**NOTE:**

Do NOT tighten any screws fully first until you have tightened all the screws.

This may cause the frame to warp.

If there is still wobbles or screw holes cannot be aligned, loosen the screws and tighten sequentially.

If the Sofa is not stable it could lead to damage to the product.

01

Q



M6\*45 Screw x3

R

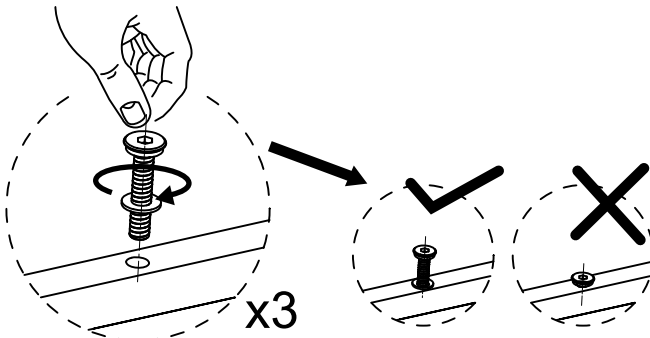
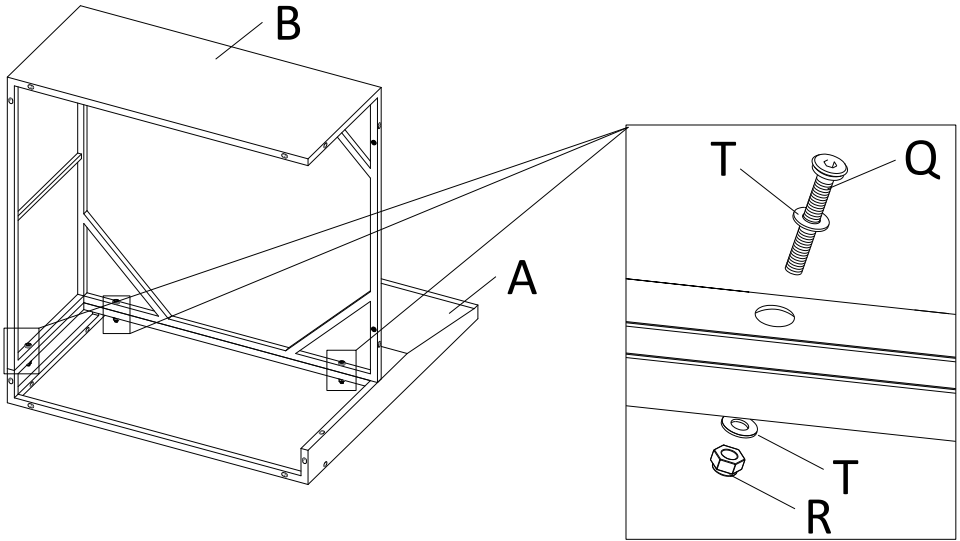


Nut x3

T



Washer x6



**NOTE:DO NOT TIGHTEN THE SCREWS COMPLETELY.**

# 02

Q



M6\*45 Screw x1

S



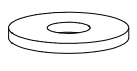
M6\*30 Screw x3

R

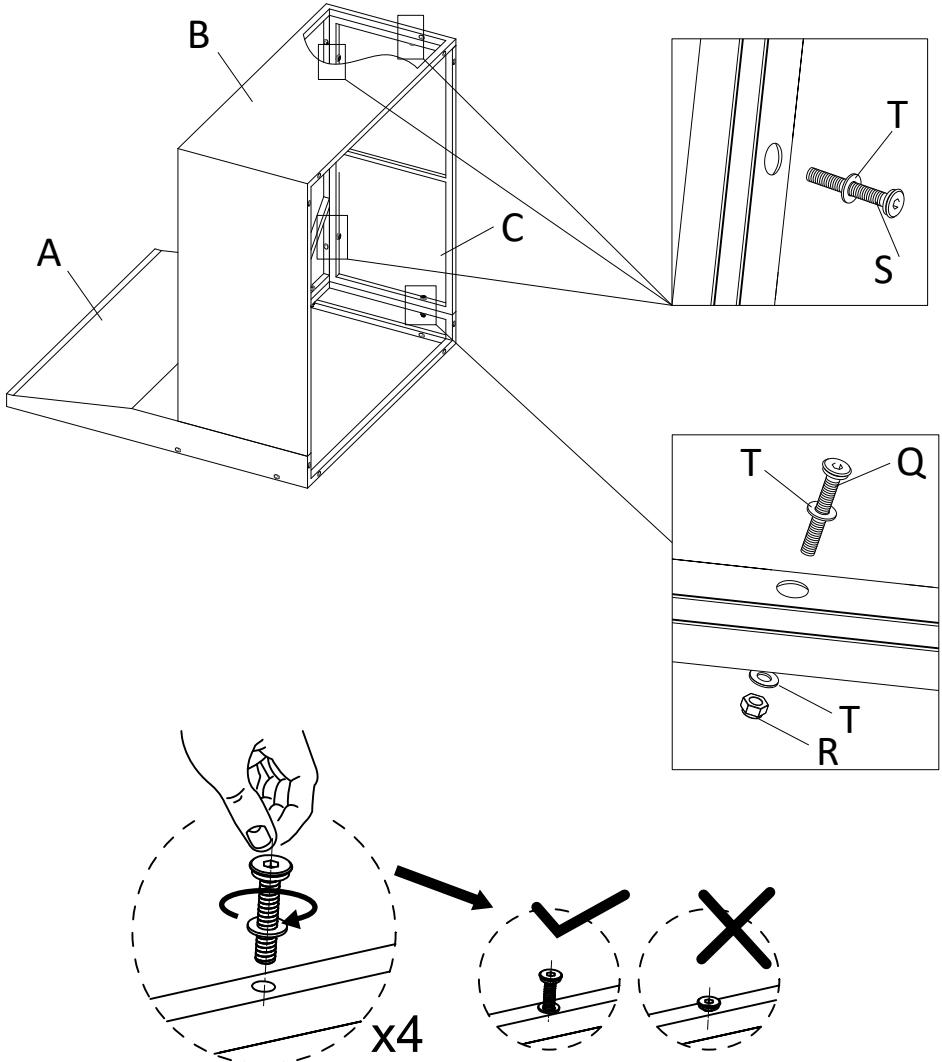


Nut x1

T



Washer x5



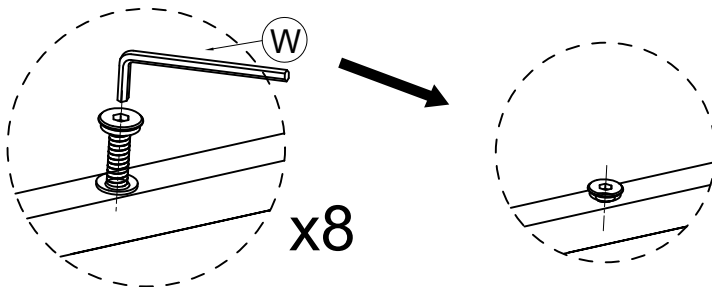
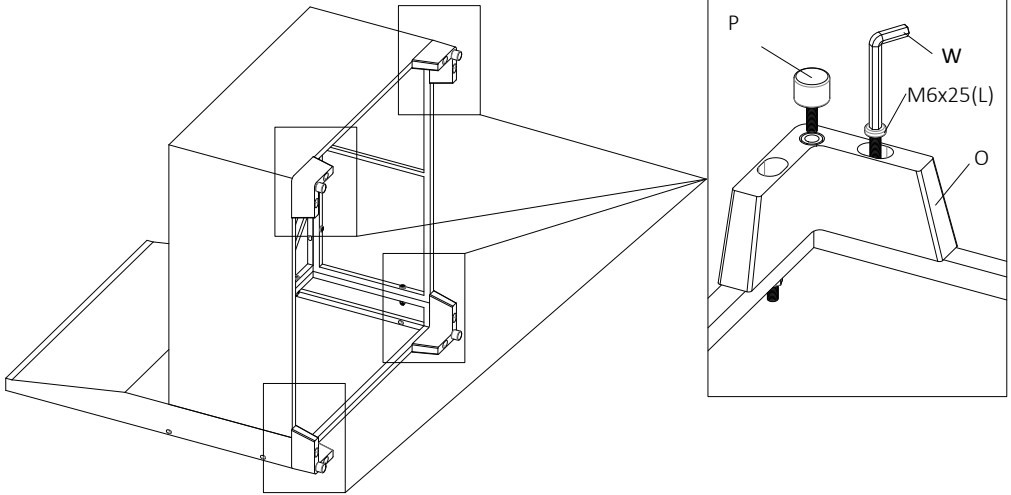
**NOTE: DO NOT TIGHTEN THE SCREWS COMPLETELY.**

# 03

(L)

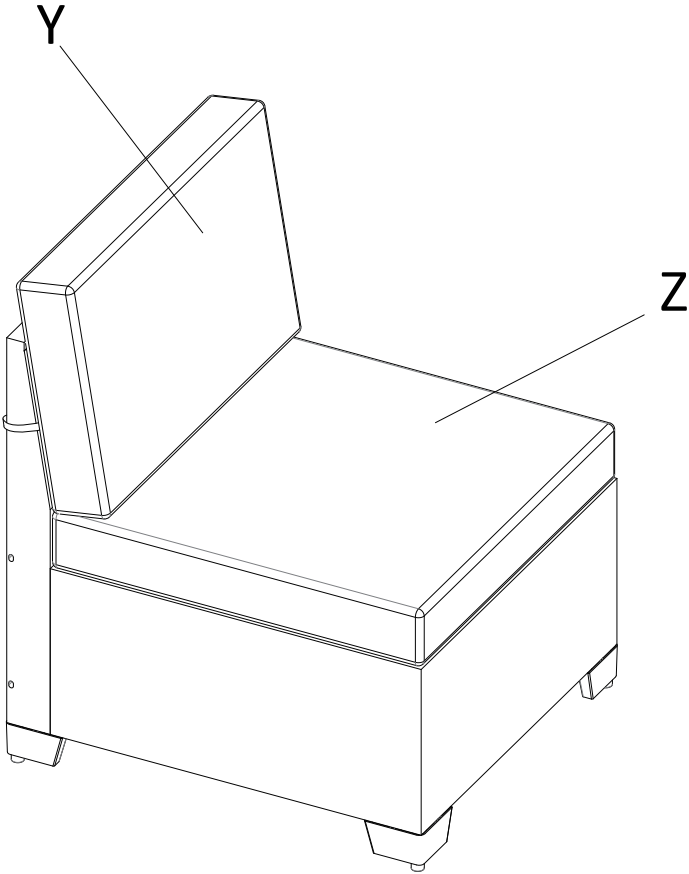


M6\*25 Screw x8

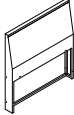
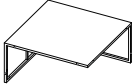
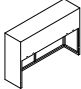
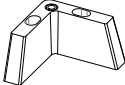
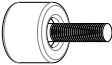


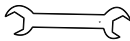

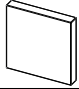
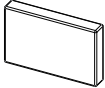




**NOTE:**IF ANY SCREW HOLES CANNOT BE ALIGNED, LOOSEN ALL THE SCREWS AND GO BACK STEP 1 AND RESTART ASSEMBLY.

04



## COMPONENT LIST - LEFT CORNER SOFA

| Item no. | Reference Image   | Description             | Qty. |
|----------|---|-------------------------|------|
| A        |    | Back Panel              | 1    |
| B        |    | Seat Base               | 1    |
| D        |    | Armrest                 | 1    |
| O        |    | High L-Shaped Feet      | 4    |
| P        |    | Screw Feet              | 4    |
| Q        |    | M6*45<br>Head Cap Screw | 7    |
| L        |    | M6*25<br>Head Cap Screw | 8    |
| V        |    | Wrench                  | 1    |
| W        |  | Allen Key               | 1    |
| Z        |  | Seat Cushion<br>Foam    | 1    |
| Y        |  | Long Back<br>Cushion    | 1    |
| R        |  | Nut                     | 7    |
| T        |  | Washer                  | 14   |

**NOTE:**

Do NOT tighten any screws fully first until you have tightened all the screws.

This may cause the frame to warp.

If there is still wobbles or screw holes cannot be aligned, loosen the screws and tighten sequentially.

If the Sofa is not stable it could lead to damage to the product.

01

Q



M6\*45 Screw x3

R

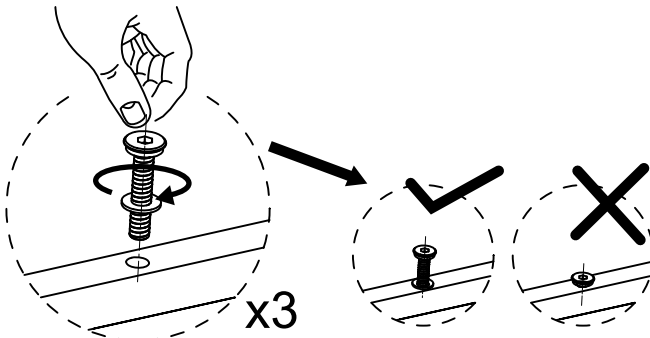
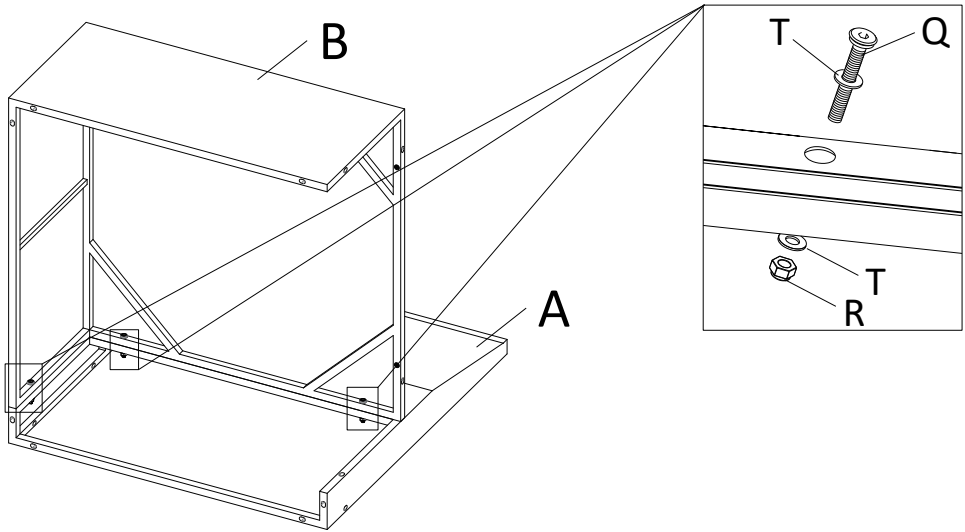


Nut x3

T



Washer x6



**NOTE:DO NOT TIGHTEN THE SCREWS COMPLETELY.**

# 02

Q



M6\*45 Screw x4

R

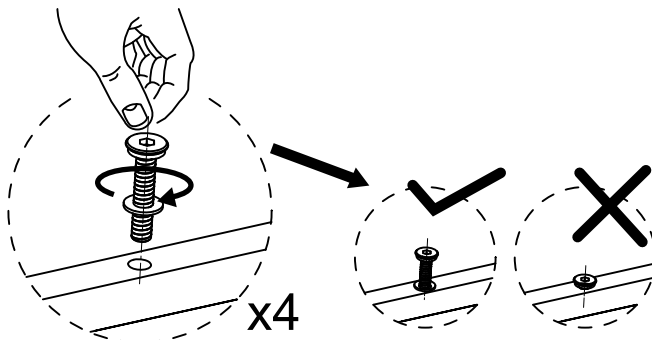
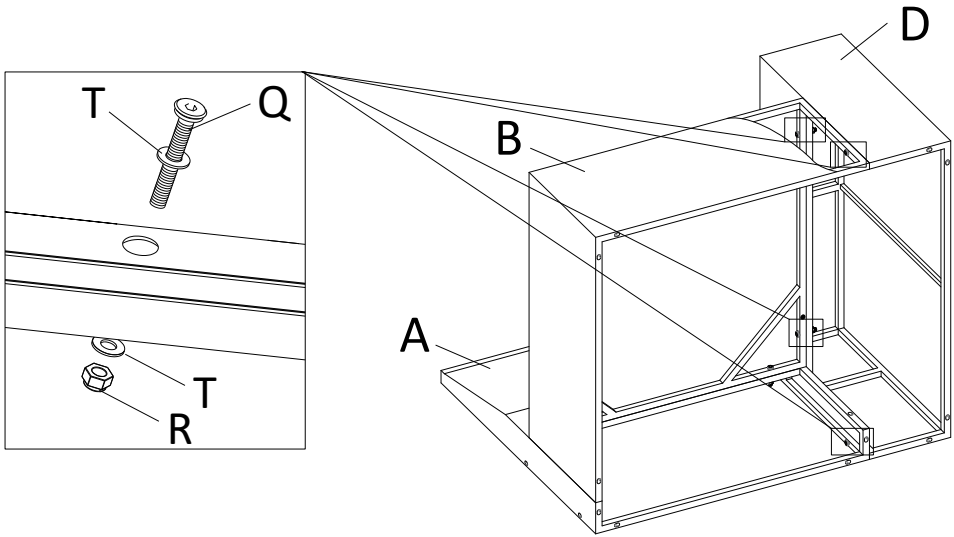


Nut x4

T



Washer x8



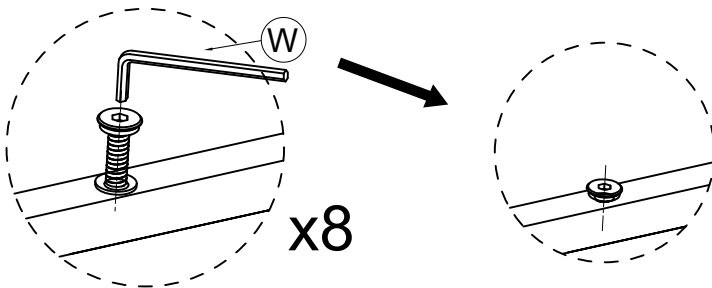
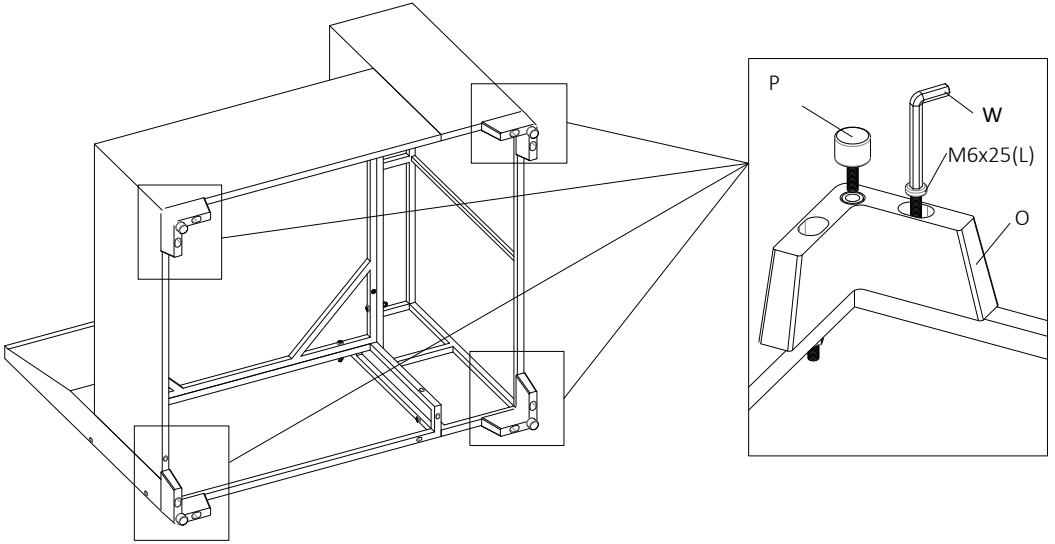
**NOTE: DO NOT TIGHTEN THE SCREWS COMPLETELY.**

# 03

(L)

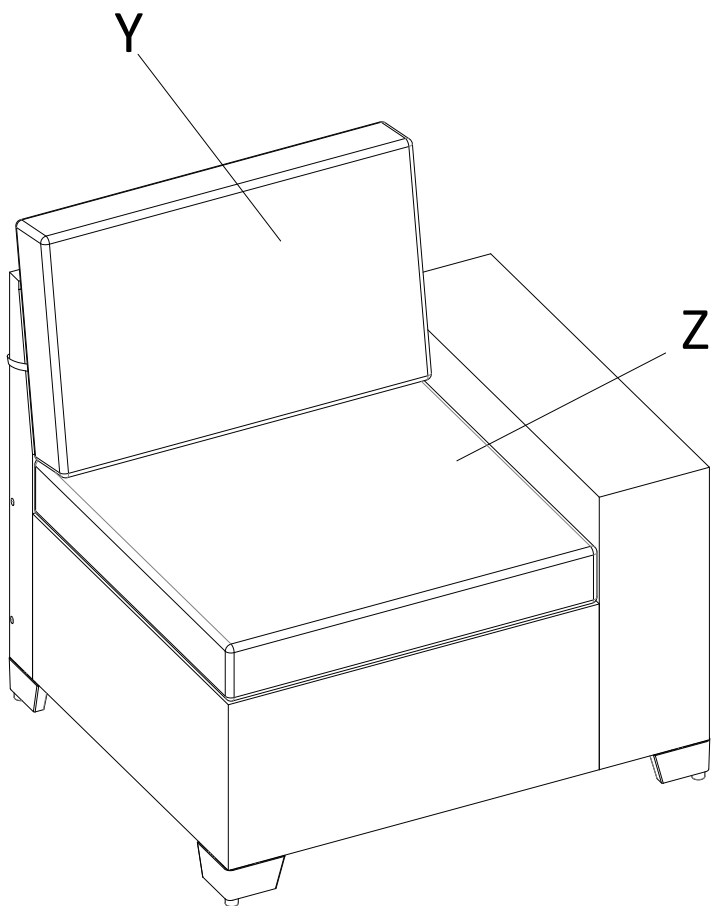


**M6\*25 Screw x8**

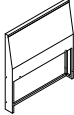
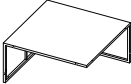
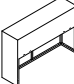
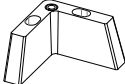
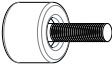


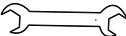

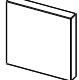





**NOTE:**IF ANY SCREW HOLES CANNOT BE ALIGNED, LOOSEN ALL THE SCREWS AND GO BACK STEP 1 AND RESTART ASSEMBLY.

04



## COMPONENT LIST - RIGHT CORNER SOFA

| Item no. | Reference Image   | Description             | Qty. |
|----------|---|-------------------------|------|
| A        |    | Back Panel              | 1    |
| B        |    | Seat Base               | 1    |
| D        |    | Armrest                 | 1    |
| O        |    | High L-Shaped Feet      | 4    |
| P        |    | Screw Feet              | 4    |
| Q        |    | M6*45<br>Head Cap Screw | 7    |
| L        |    | M6*25<br>Head Cap Screw | 8    |
| V        |    | Wrench                  | 1    |
| W        |  | Allen Key               | 1    |
| Z        |  | Seat Cushion<br>Foam    | 1    |
| Y        |  | Long Back<br>Cushion    | 1    |
| R        |  | Nut                     | 7    |
| T        |  | Washer                  | 14   |

**NOTE:**

Do NOT tighten any screws fully first until you have tightened all the screws.

This may cause the frame to warp.

If there is still wobbles or screw holes cannot be aligned, loosen the screws and tighten sequentially.

If the Sofa is not stable it could lead to damage to the product.

01

Q



M6\*45 Screw x3

R

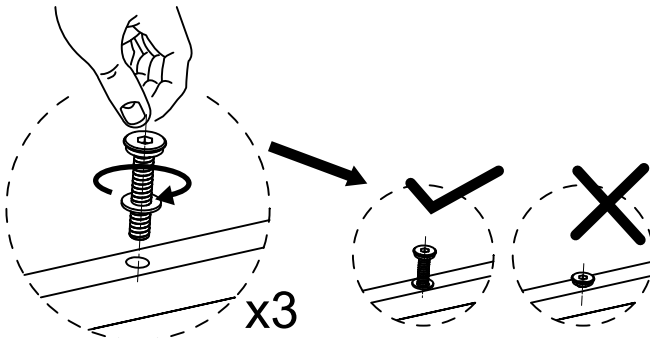
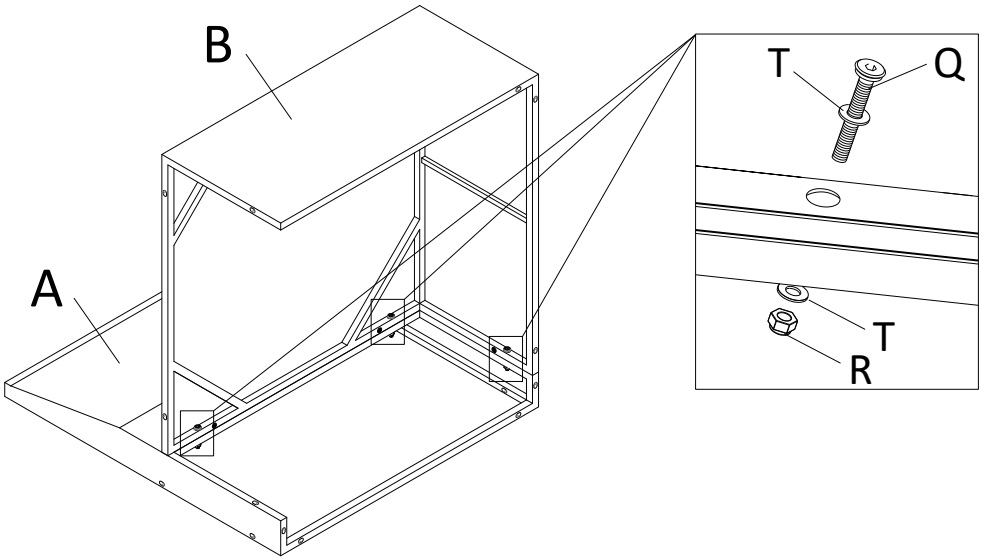


Nut x3

T



Washer x6



**NOTE:DO NOT TIGHTEN THE SCREWS COMPLETELY.**

# 02

Q



M6\*45 Screw x4

R

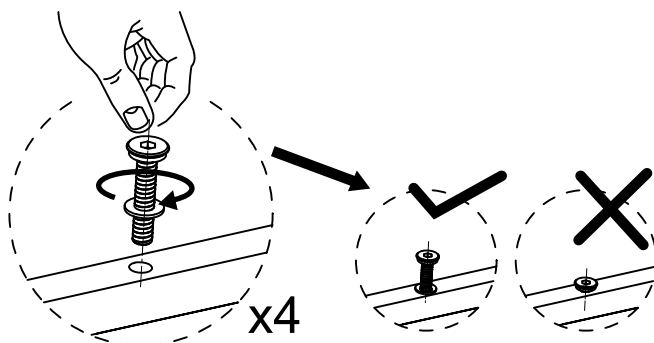
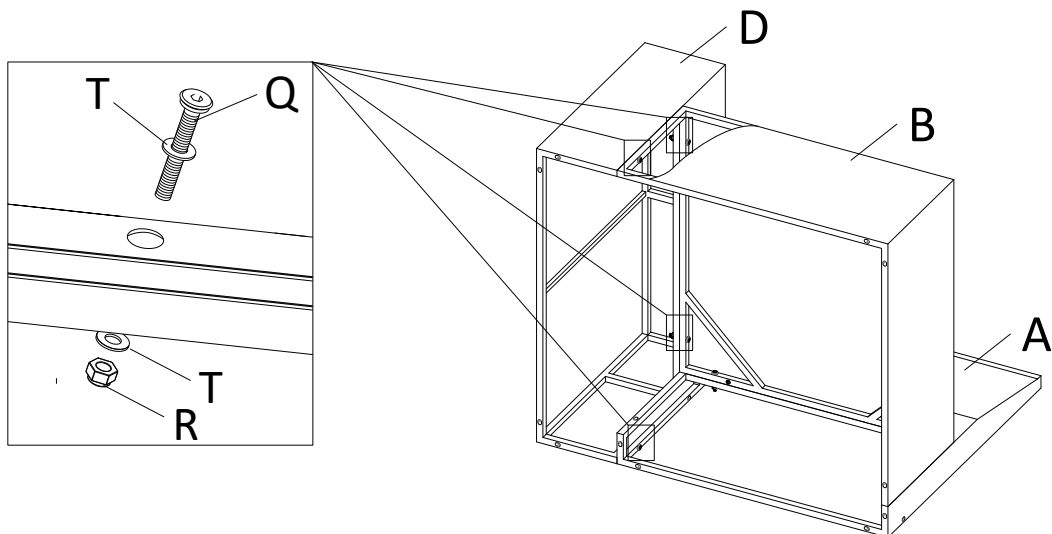


Nut x4

T



Washer x8



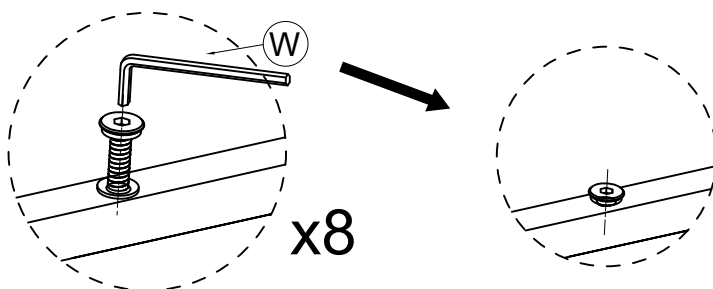
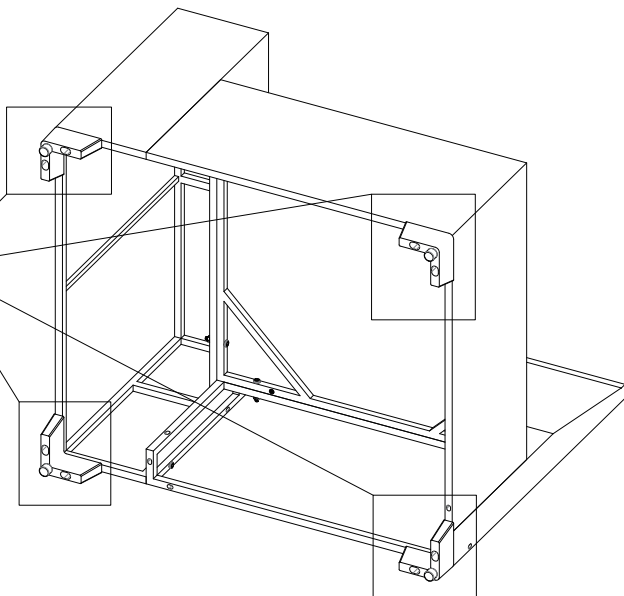
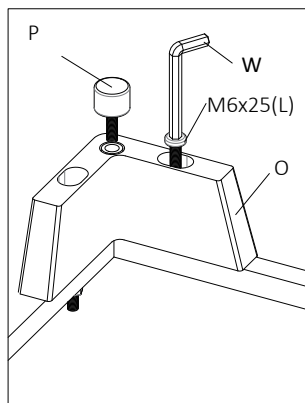
**NOTE: DO NOT TIGHTEN THE SCREWS COMPLETELY.**

# 03

(L)

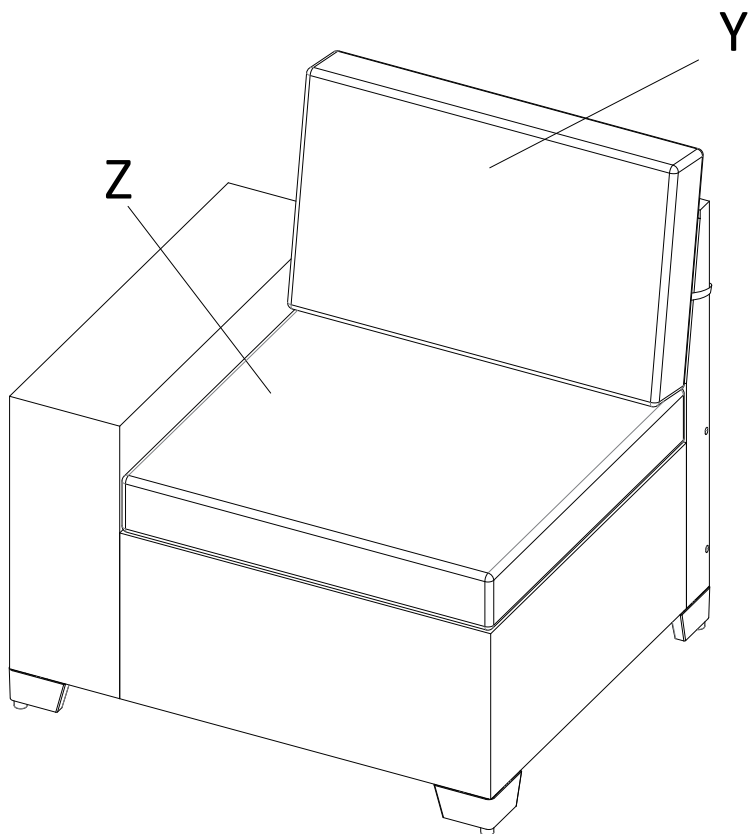


**M6\*25 Screw x8**

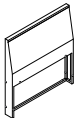
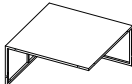

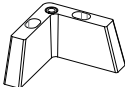
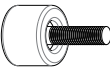


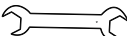

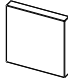
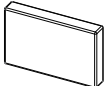
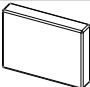




**NOTE:**IF ANY SCREW HOLES CANNOT BE ALIGNED, LOOSEN ALL THE SCREWS AND GO BACK STEP 1 AND RESTART ASSEMBLY.

04



## COMPONENT LIST - CORNER SOFA

| Item no. | Reference Image   | Description             | Qty. |
|----------|---|-------------------------|------|
| A        |    | Back Panel              | 1    |
| B        |    | Seat Base               | 1    |
| E        |    | Back Panel              | 1    |
| O        |    | High L-Shaped Feet      | 4    |
| P        |    | Screw Feet              | 4    |
| Q        |    | M6*45<br>Head Cap Screw | 8    |
| L        |    | M6*25<br>Head Cap Screw | 8    |
| V        |    | Wrench                  | 1    |
| W        |  | Allen Key               | 1    |
| Z        |  | Seat Cushion<br>Foam    | 1    |
| Y        |  | Long Back<br>Cushion    | 1    |
| Y1       |  | Short Back<br>Cushion   | 1    |
| R        |  | Nut                     | 8    |
| T        |  | Washer                  | 16   |

**NOTE:**

Do NOT tighten any screws fully first until you have tightened all the screws.

This may cause the frame to warp.

If there is still wobbles or screw holes cannot be aligned, loosen the screws and tighten sequentially.

If the Sofa is not stable it could lead to damage to the product.

01

Q



M6\*45 Screw x3

R

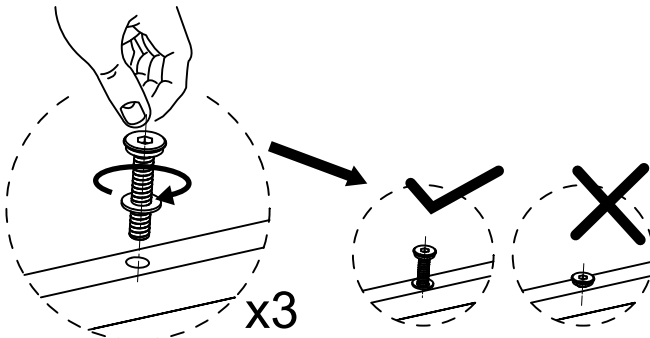
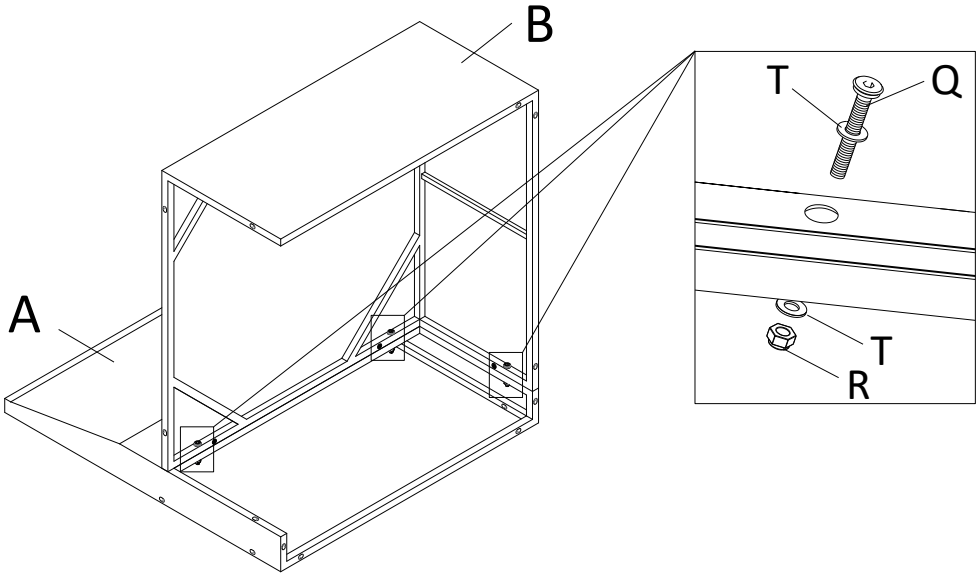


Nut x3

T



Washer x6



**NOTE:DO NOT TIGHTEN THE SCREWS COMPLETELY.**

# 02

Q



M6\*45 Screw x5

R

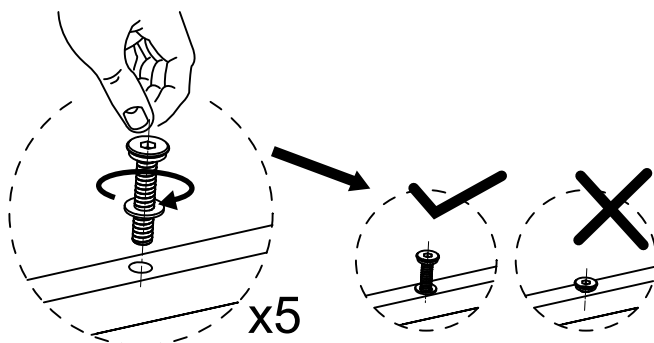
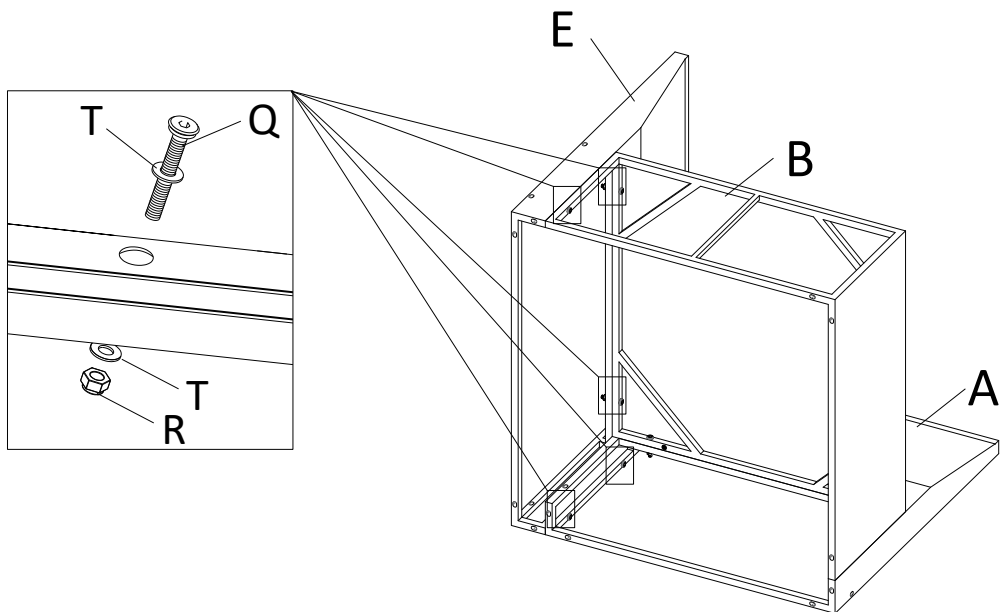


Nut x5

T



Washer x10



x5

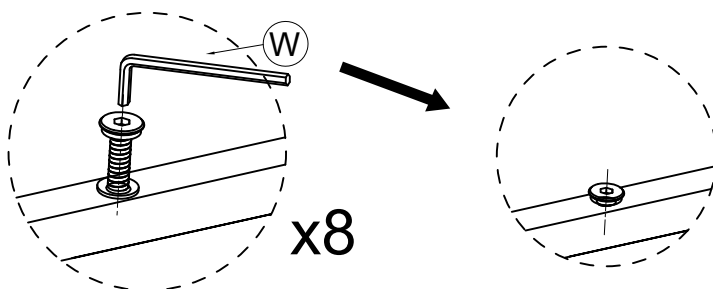
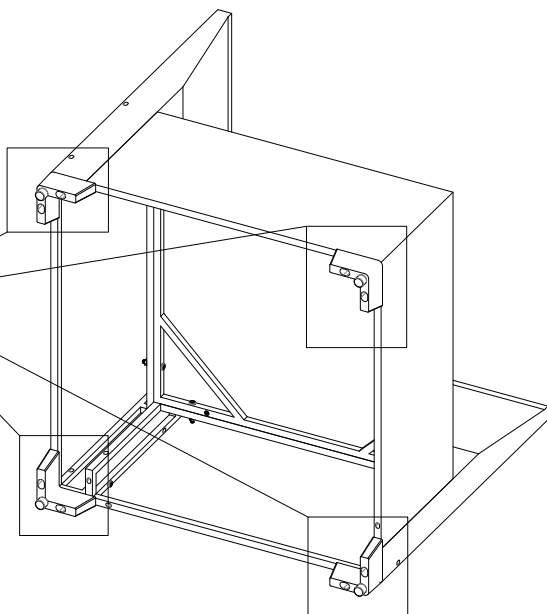
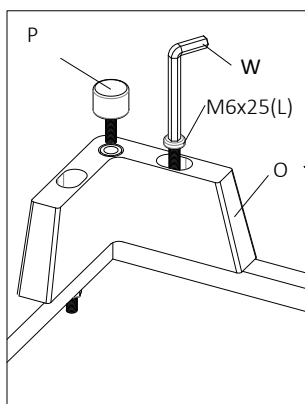
**NOTE: DO NOT TIGHTEN THE SCREWS COMPLETELY.**

# 03

(L)

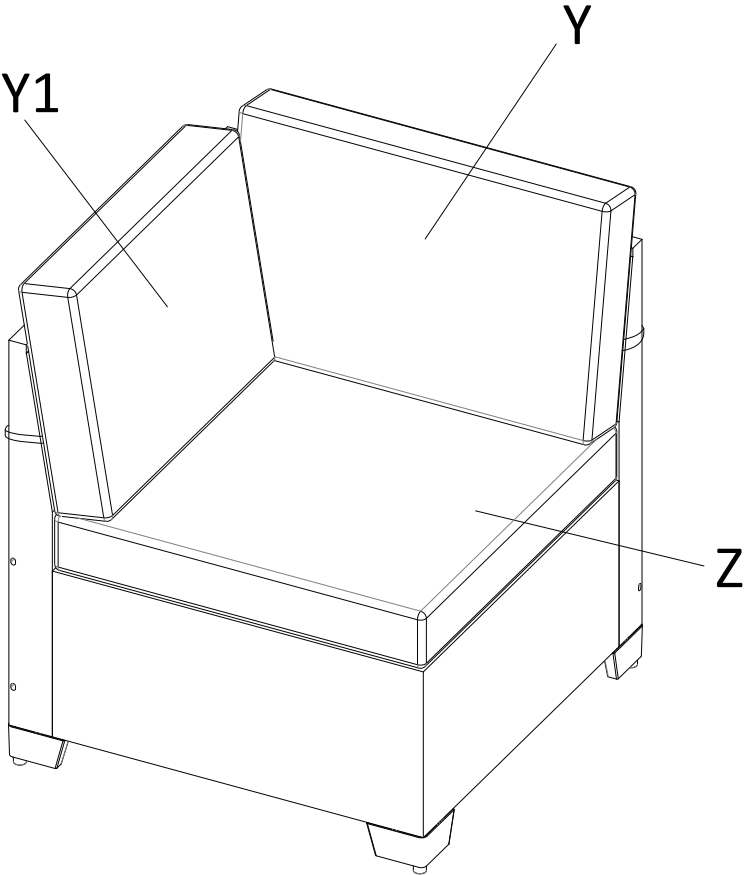


**M6\*25 Screw x8**

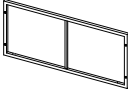
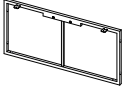
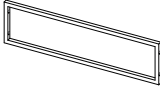
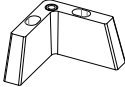
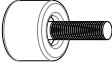


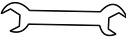





**NOTE:**IF ANY SCREW HOLES CANNOT BE ALIGNED, LOOSEN ALL THE SCREWS AND GO BACK STEP 1 AND RESTART ASSEMBLY.

04



## COMPONENT LIST -TABLE

| Item no. | Reference Image   | Description             | Qty. |
|----------|---|-------------------------|------|
| H        |    | Side Panel              | 2    |
| I        |    | Side Panel              | 2    |
| K        |    | Table Connector         | 1    |
| O        |    | High L-Shaped Feet      | 4    |
| P        |    | Screw Feet              | 4    |
| S        |    | M6*30<br>Head Cap Screw | 12   |
| L        |    | M6*25<br>Head Cap Screw | 8    |
| V        |    | Wrench                  | 1    |
| W        |  | Allen Key               | 1    |
| G        |  | Glass                   | 1    |
| T        |  | Washer                  | 12   |

**NOTE:**

Do NOT tighten any screws fully first until you have tightened all the screws.

This may cause the frame to warp.

If there is still wobbles or screw holes cannot be aligned, loosen the screws and tighten sequentially.

If the Table is not stable it could lead to damage to the product.

01

(S)

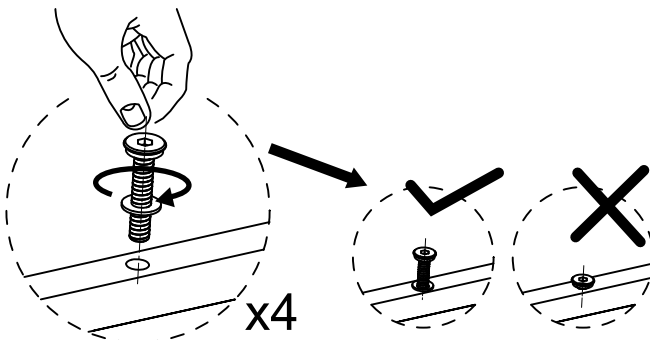
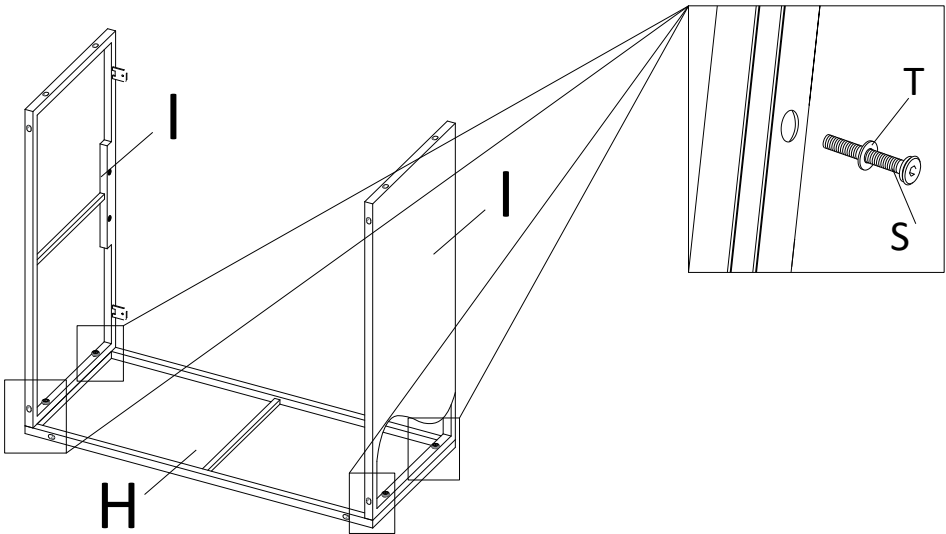


M6\*30 Screw x4

(T)



Washer x4



**NOTE:DO NOT TIGHTEN THE SCREWS COMPLETELY.**

# 02

(S)

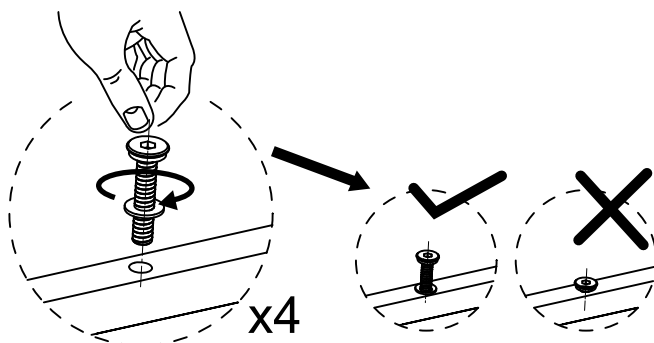
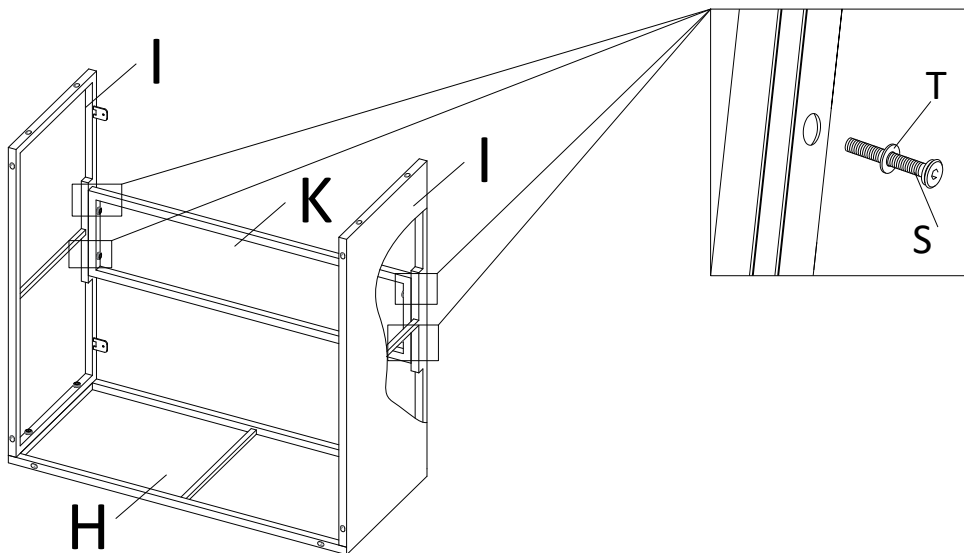


**M6\*30 Screw x4**

(T)



**Washer x4**



**NOTE: DO NOT TIGHTEN THE SCREWS COMPLETELY.**

03

(S)

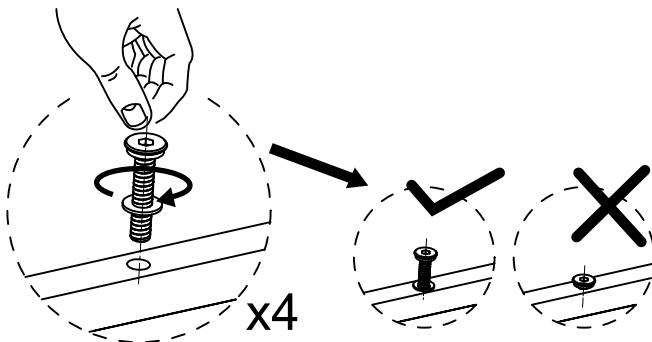
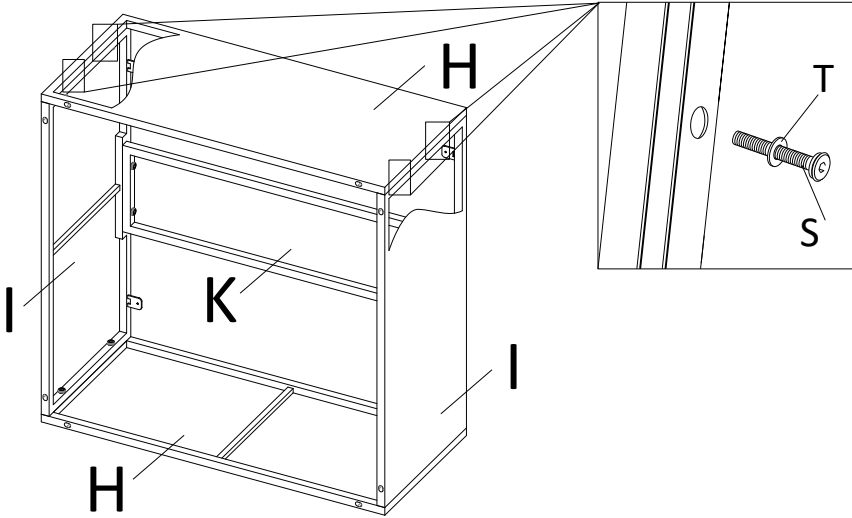


M6\*30 Screw x4

(T)

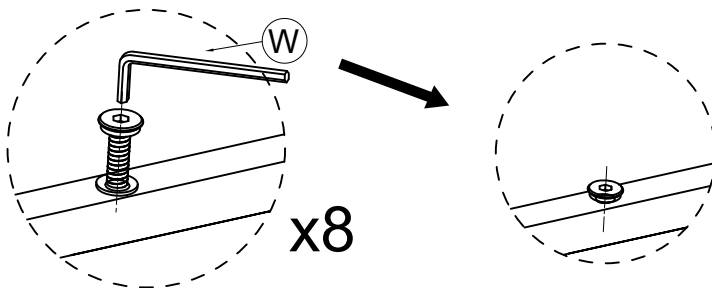
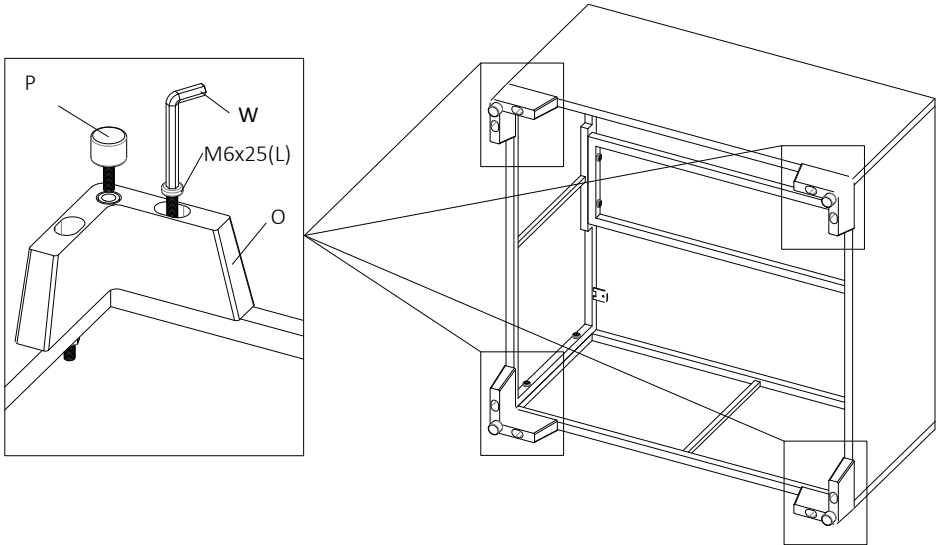


Washer x4



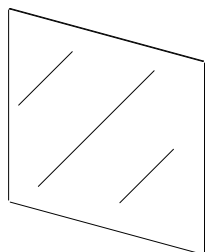
**NOTE:DO NOT TIGHTEN THE SCREWS COMPLETELY.**

# 04

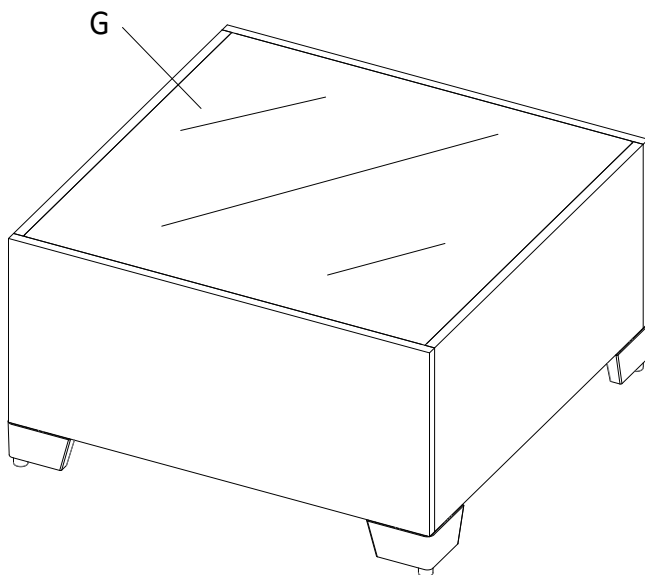


**NOTE:**IF ANY SCREW HOLES CANNOT BE ALIGNED, LOOSEN ALL THE SCREWS AND GO BACK STEP 1 AND RESTART ASSEMBLY.

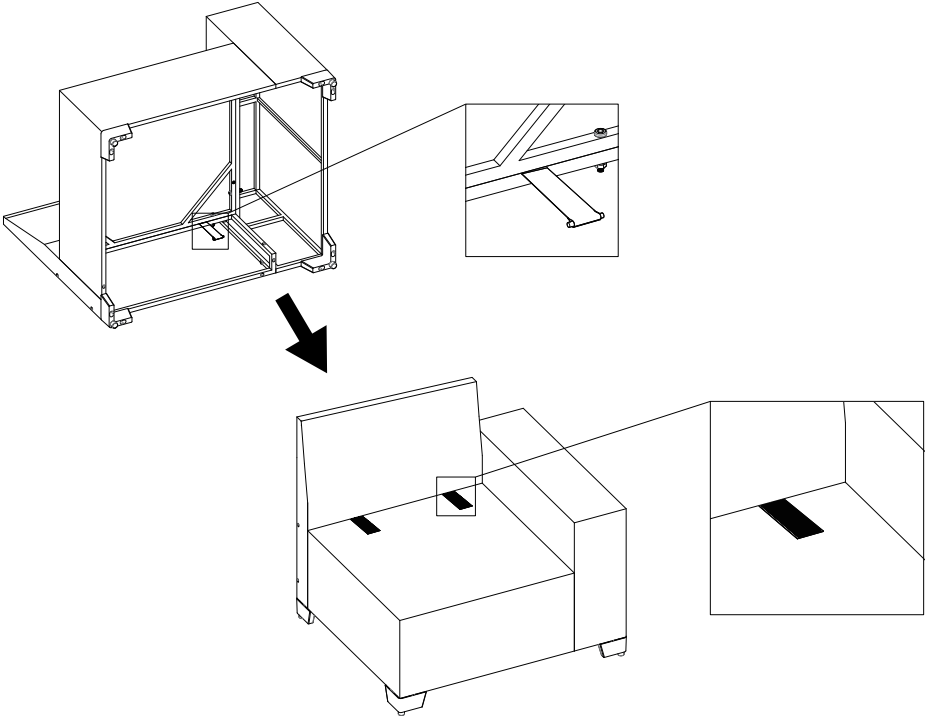
# 05



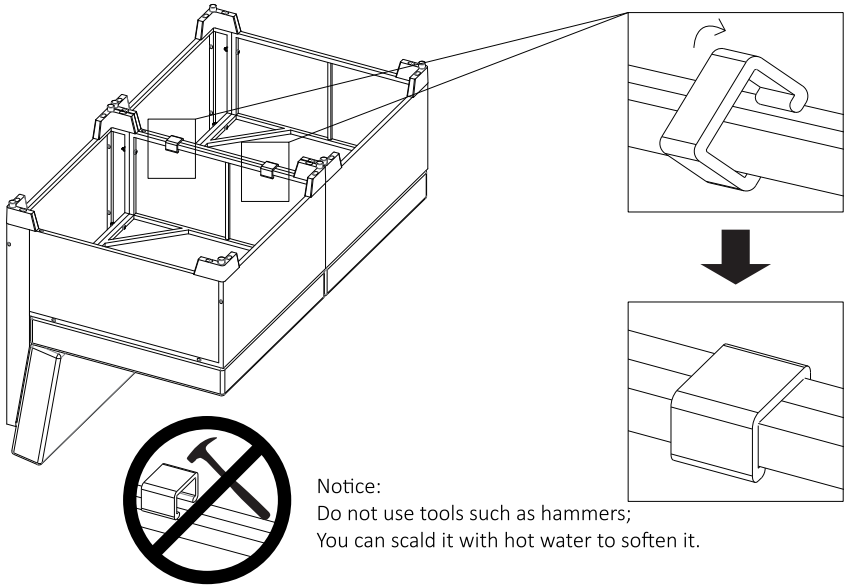
Glass Top x 1



Step 1: Tuck the prickly tie out of the seam at the bottom of the sofa. Pull out the prickly tie from the surface of the sofa to spread out and adjust to the right position.



# U-Shaped Connector



# How to Assemble End Cap

You can cover all the holes by press in the end caps.

