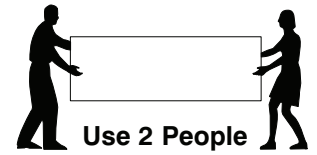
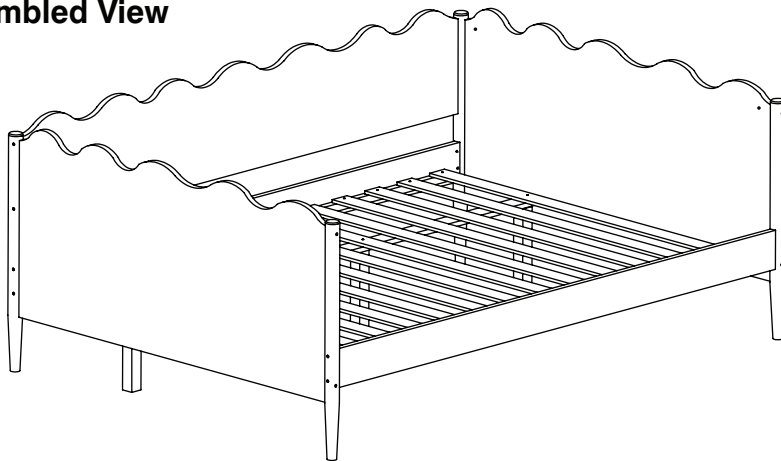


# 0239-1 Full Day Bed

## Assembly Instructions

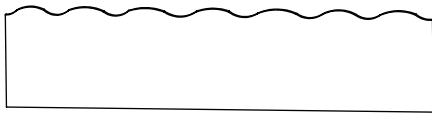
WII-0524

### 1 Assembled View

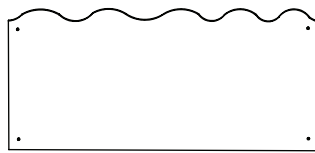


**Note:** Do not assemble using power tools. This can cause the bolts to be overtightened

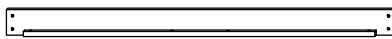
### 2 Parts in this Box



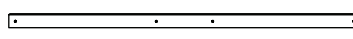
**A** Rear Panel x 1



**B** Side Panel x 2



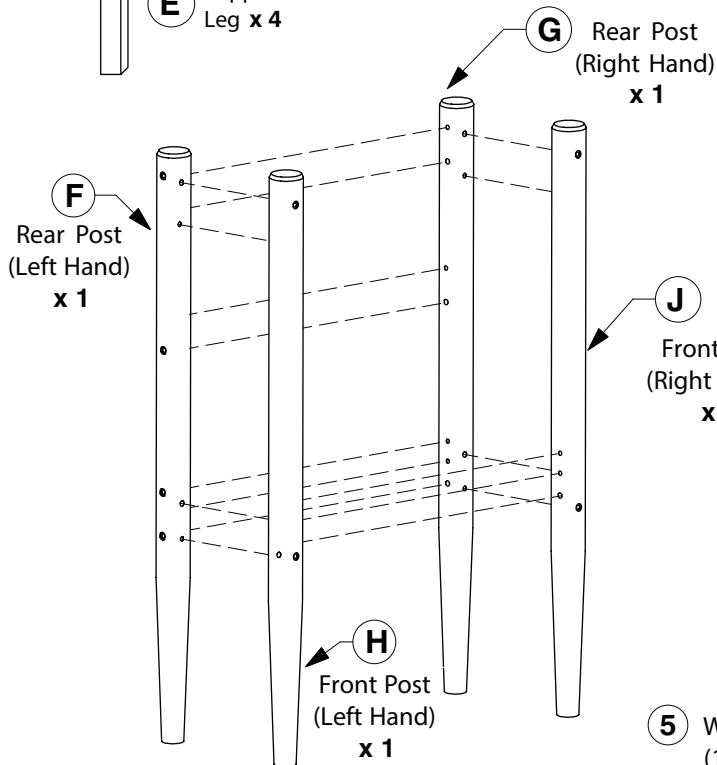
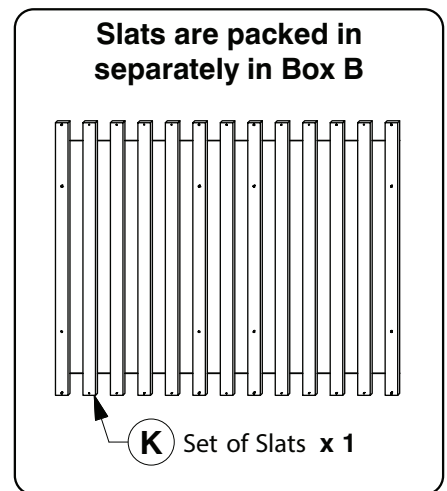
**C** Side Rail x 2



**D** Long Support x 1



**E** Support Leg x 4



**F** Rear Post (Left Hand) x 1

**G** Rear Post (Right Hand) x 1

**J** Front Post (Right Hand) x 1

**H** Front Post (Left Hand) x 1

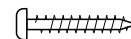
### 3 Hardware in this Box



**1** M6 x 90mm JCB x 24



**2** M6 x 40mm JCB x 8



**3** Wood Screw (M4 x 32mm) x 18



**4** Barrel Nut x 24



**5** Wood Dowel (10 x 40mm) x 16



**6** Allen Key x 1



**7** Adjustable Foot x 4

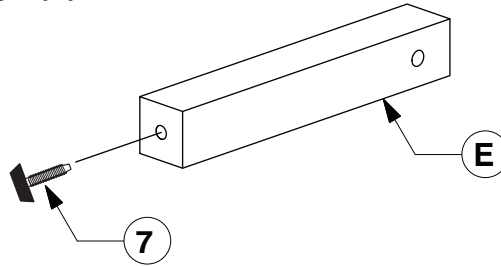
# 0239-1 Full Day Bed

## Assembly Instructions

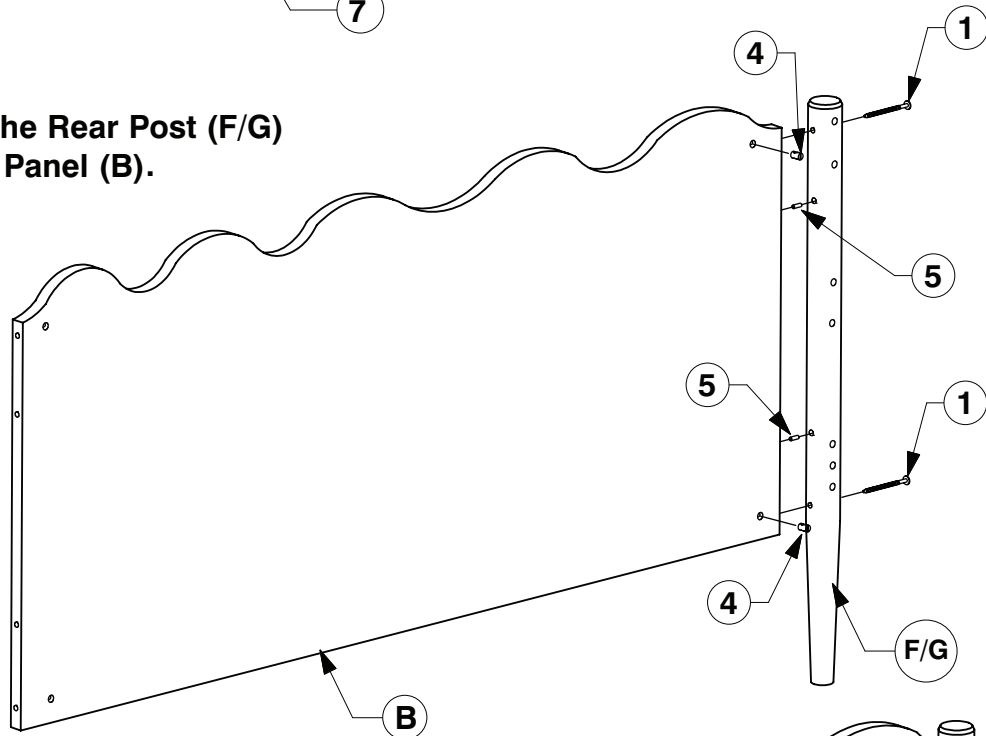
WII-0524

- 4** Fit the Adjustable foot to the bottom of the Support Legs (E).

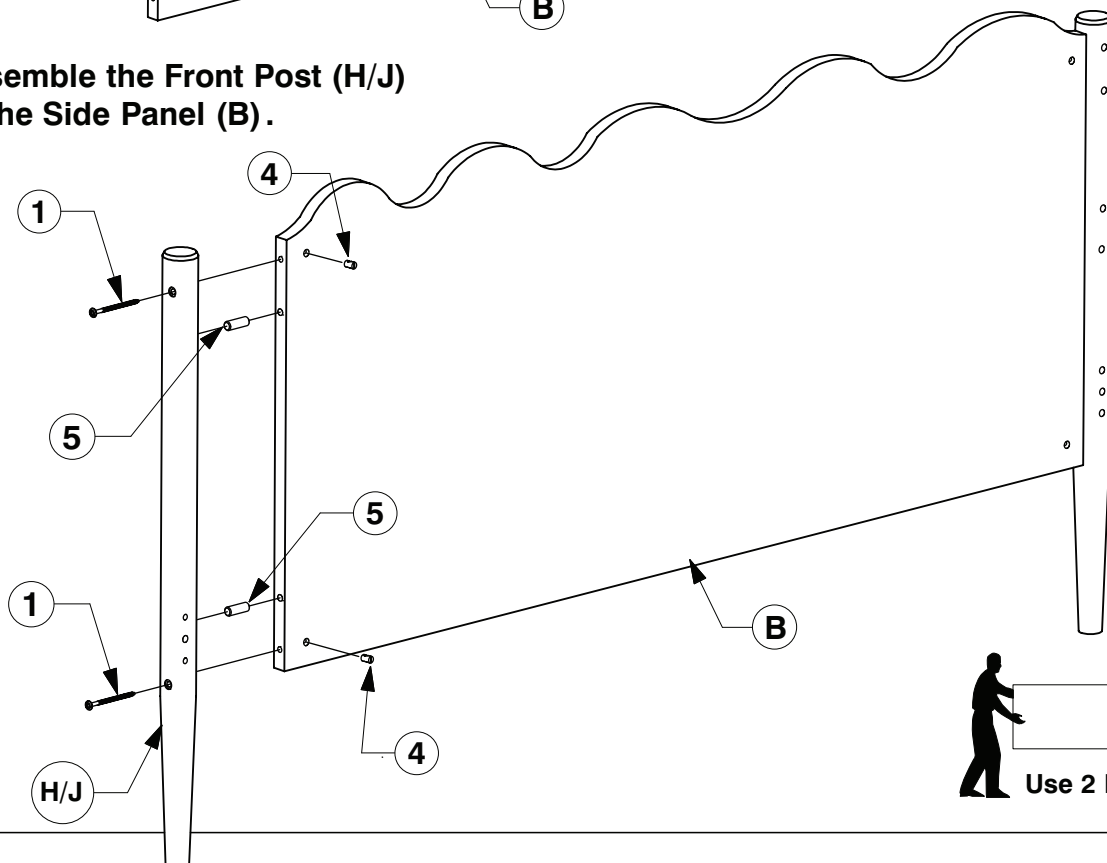
x4



- 5** Assemble the Rear Post (F/G) to the Side Panel (B).



- 6** Assemble the Front Post (H/J) to the Side Panel (B).

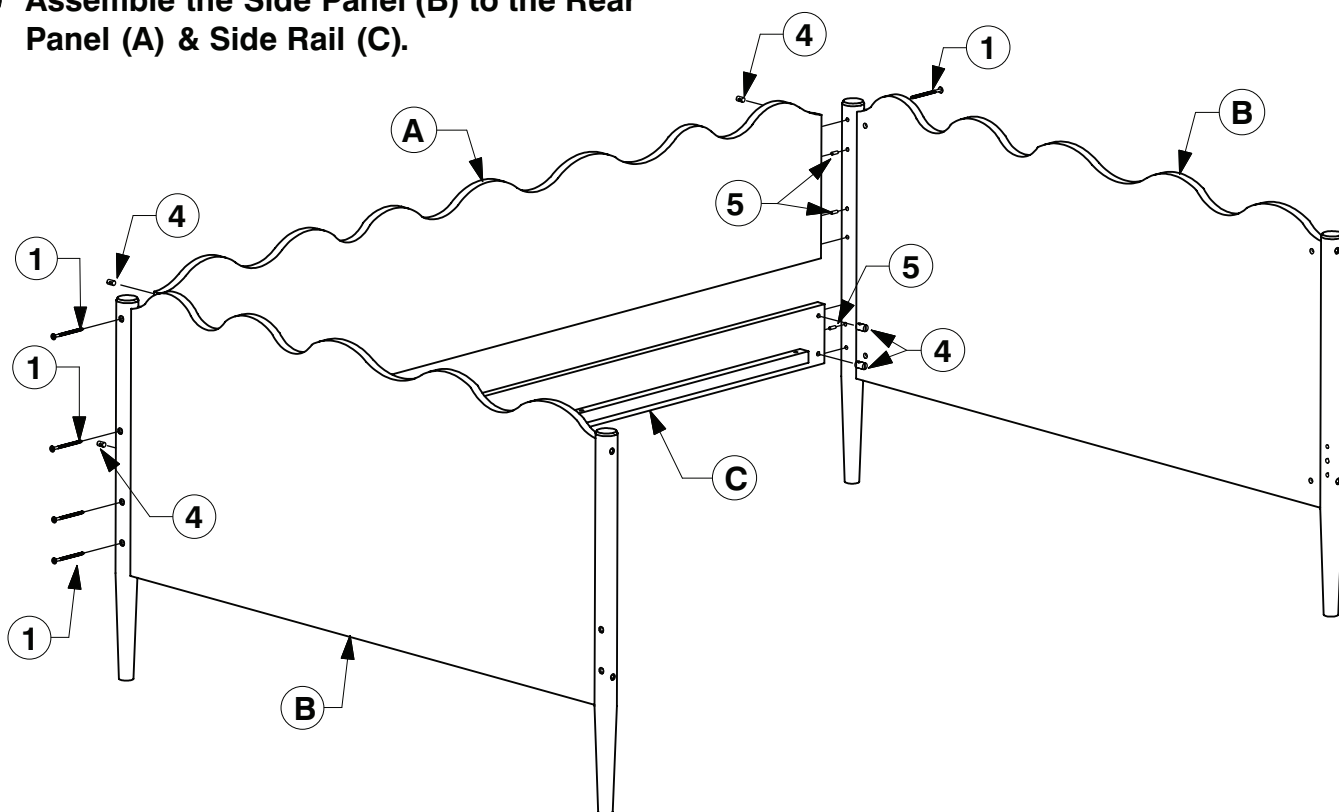


# 0239-1 Full Day Bed

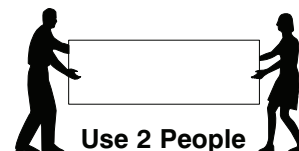
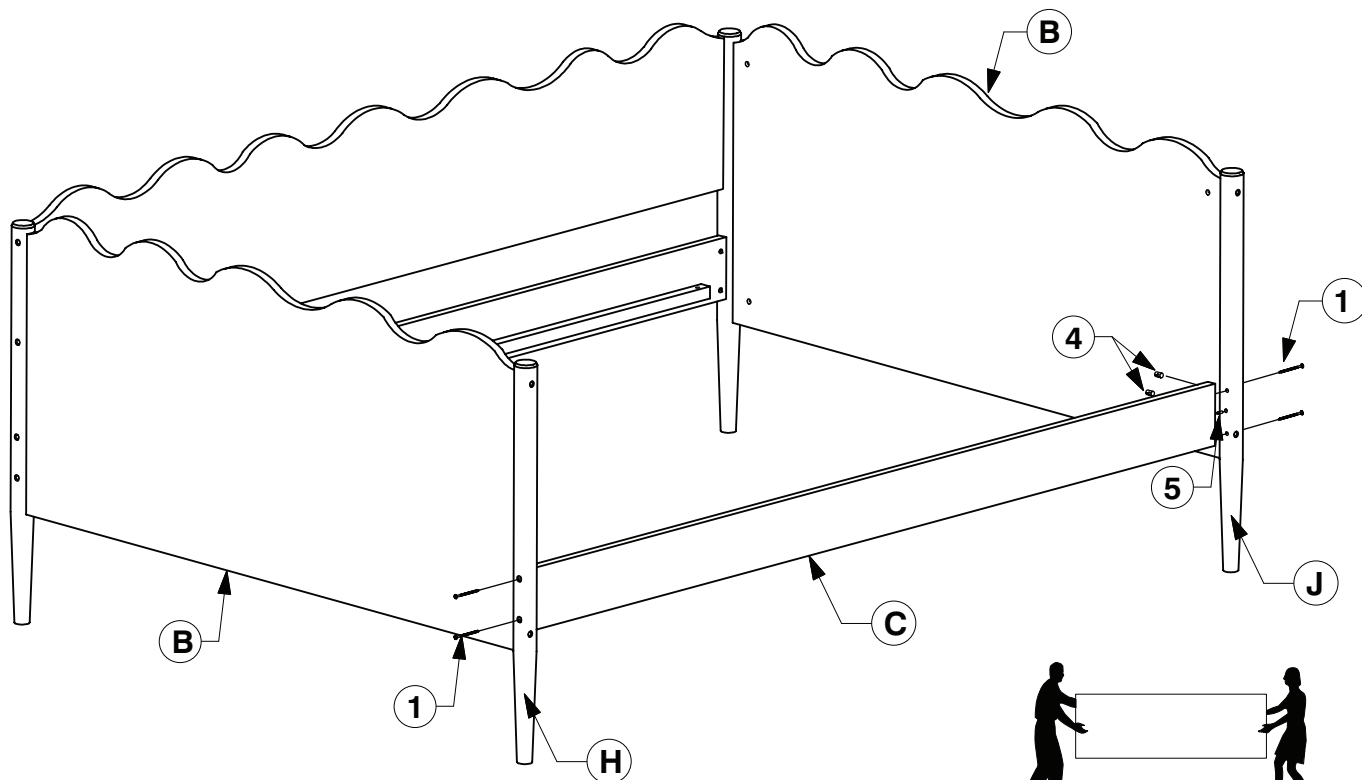
## Assembly Instructions

WII-0524

- 7** Assemble the Side Panel (B) to the Rear Panel (A) & Side Rail (C).



- 8** Assemble the Side Rail (C) to the Front Post (H/J).

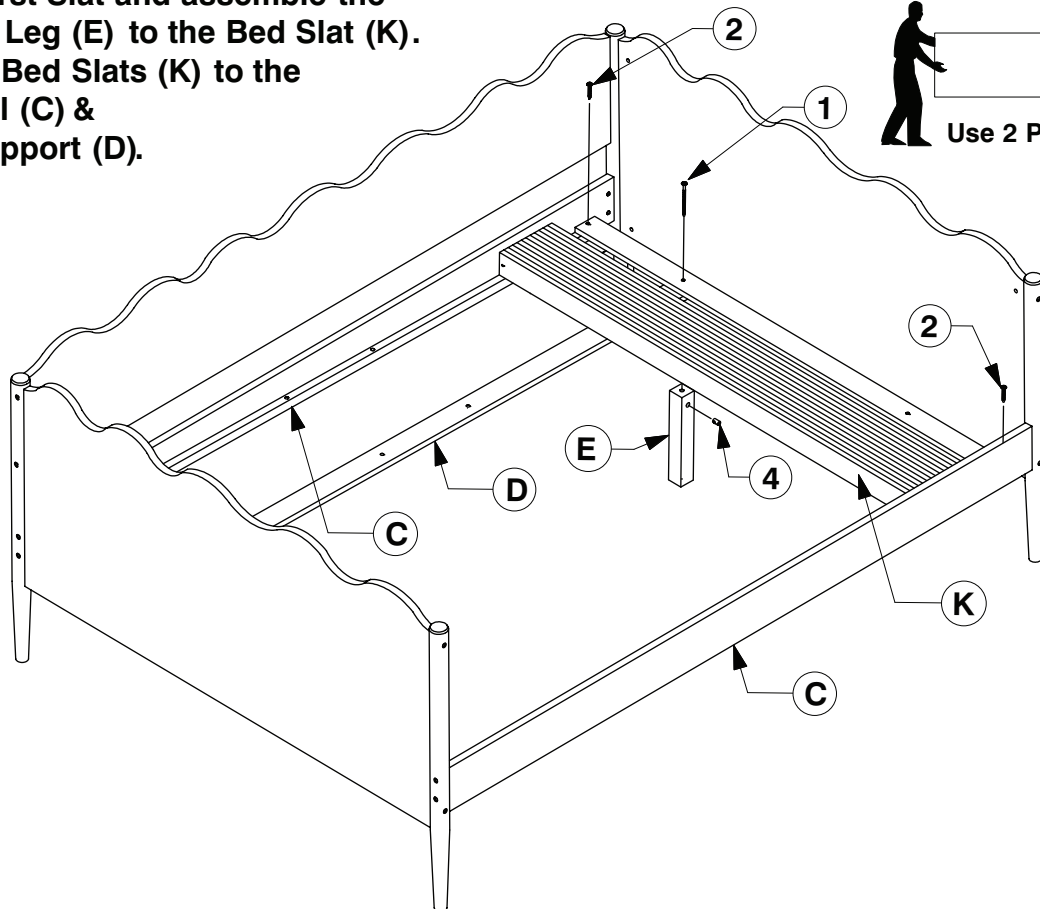
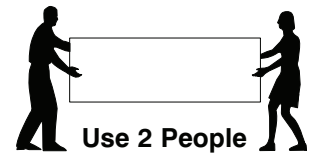


# 0239-1 Full Day Bed

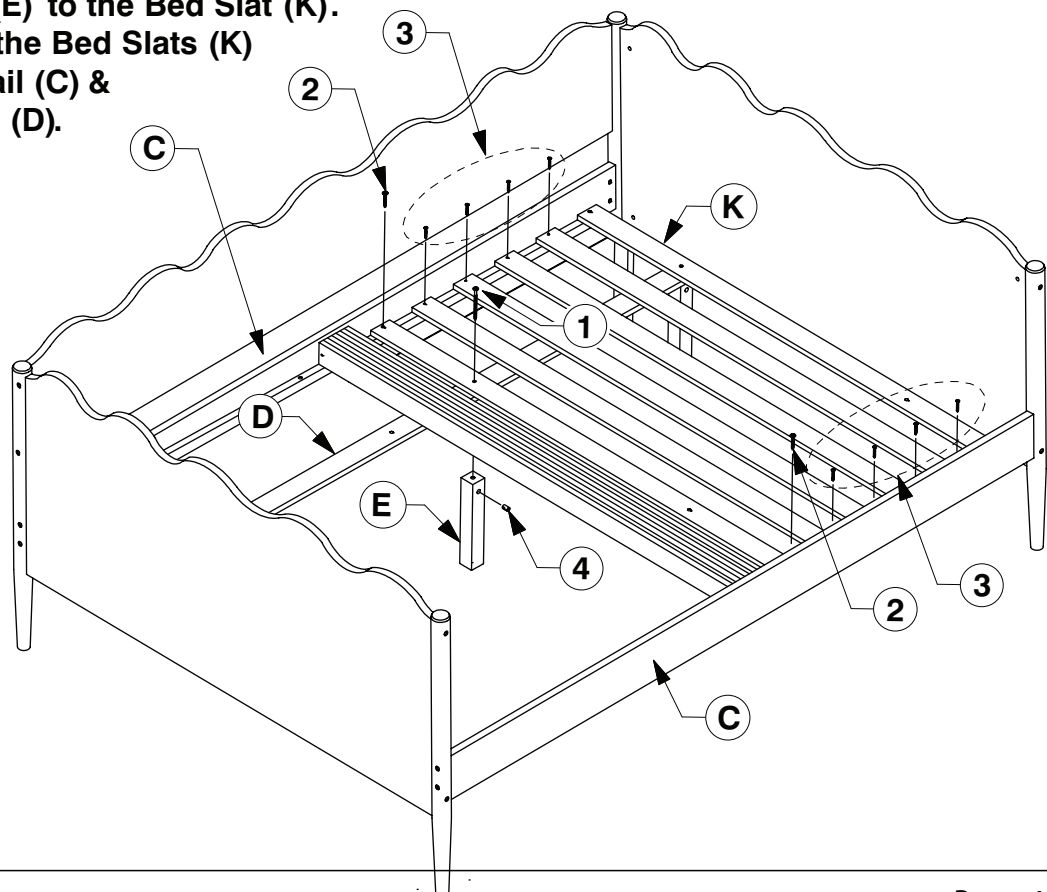
## Assembly Instructions

WII-0524

- 9** Fit the first Slat and assemble the Support Leg (E) to the Bed Slat (K). Bolt the Bed Slats (K) to the Side Rail (C) & Long Support (D).



- 10** Fit the other Slats out and assemble the Support Leg (E) to the Bed Slat (K). Bolt & screw the Bed Slats (K) to the Side Rail (C) & Long Support (D).

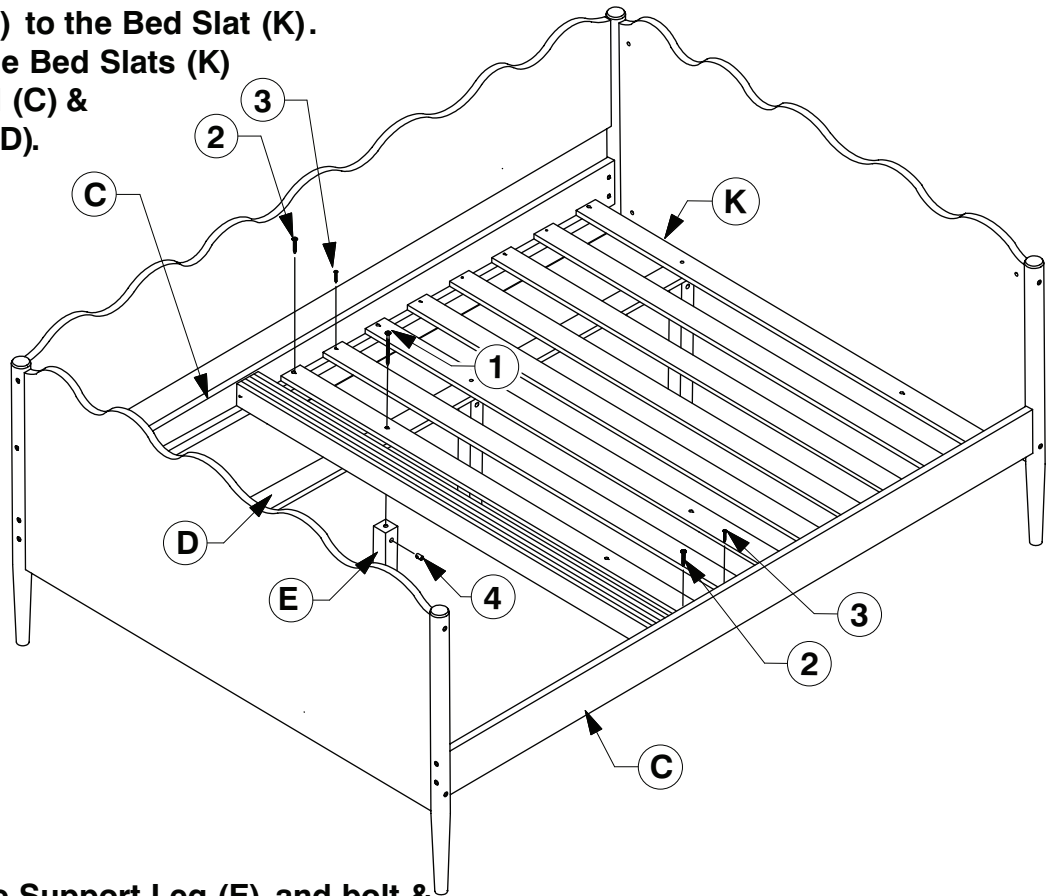


# 0239-1 Full Day Bed

## Assembly Instructions

WII-0524

- 11** Fit the other Slats out and assemble the Support Leg (E) to the Bed Slat (K). Bolt & screw the Bed Slats (K) to the Side Rail (C) & Long Support (D).



- 12** Assemble the Support Leg (E) and bolt & screw the remaining Bed Slats (K) to the Side Rail (C) & Long Support (D).

