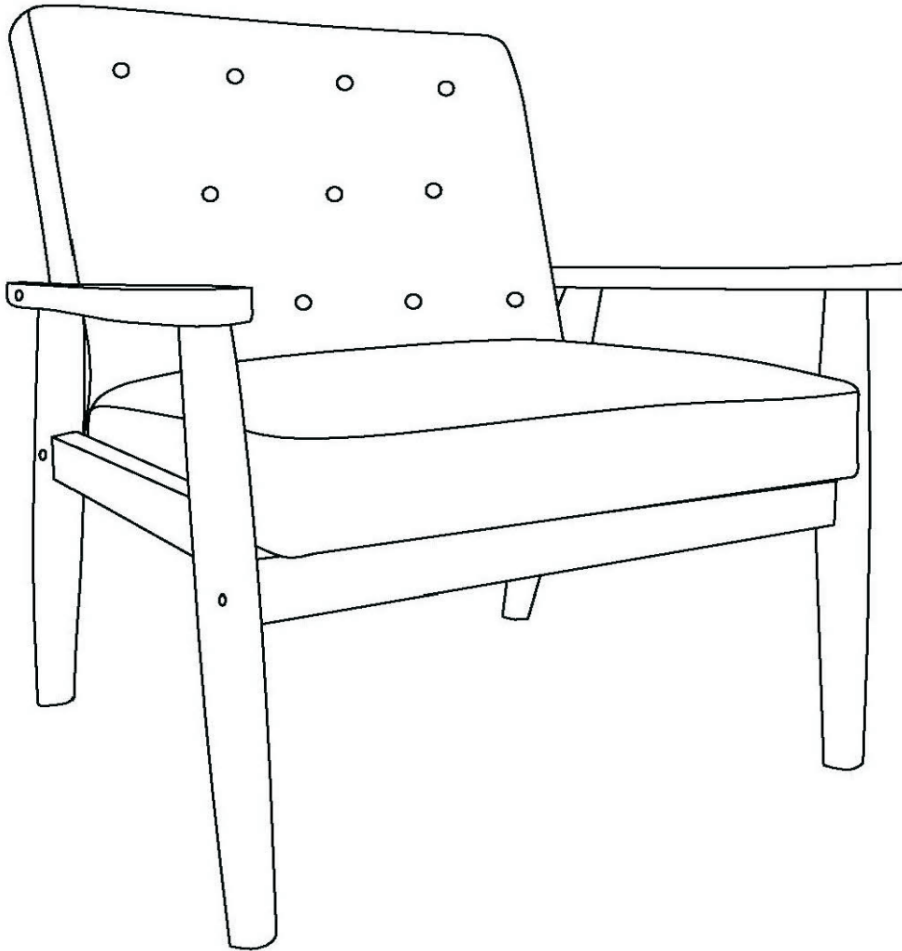


Assembly Instruction

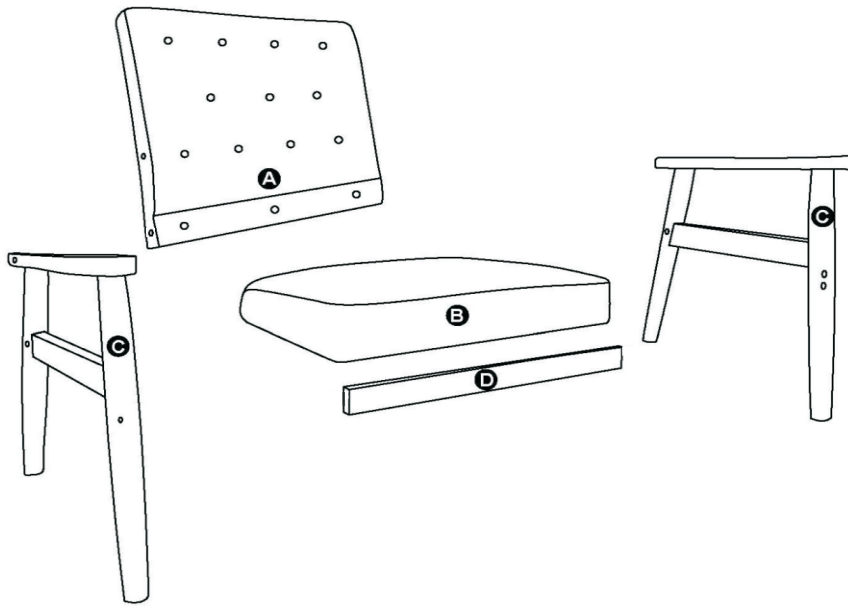


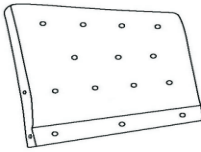

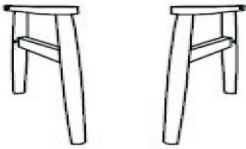

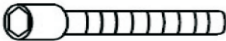


Thank you for your purchase.



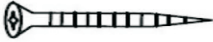


If you have difficulty with assembly or find a part is missing or damaged, please don't hesitate to contact us for solution.

Customer Service team will work hard to put a smile back on your face.

Components



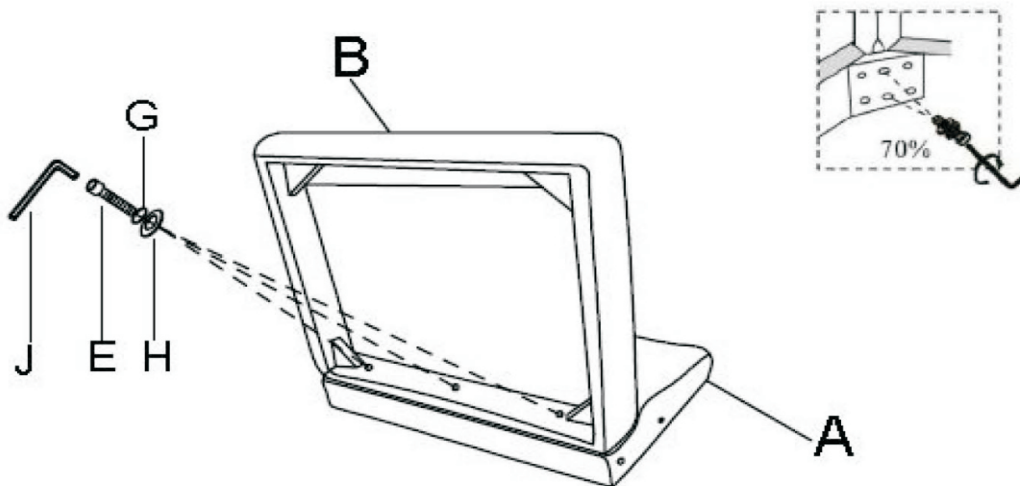
NO	PARTS	QTY	DESCRIPTION
A		1 pc	Back Cushion
B		1 pc	Cushion
C		2 pcs	Arm-rest frame
D		1 pc	Crosspiece
E		7 pcs	M8x60mm SCREW
F		2 pcs	M8x70mm SCREW
G		3 pcs	SPRING WASHER

H		3 pcs	M8x22mm FLAT WASHER
J		1 pc	ALLEN KEY
K		2 pcs	M4x60mm SCREW
L		6 pcs	COVER
N		2 pcs	Dowel

Note:

1. Please lay a soft carpet on floor before assemble to protect the paint of chair.
2. When installing the screws, the screws only need to be screwed to 70%. After all the screws are installed, tighten them one by one.

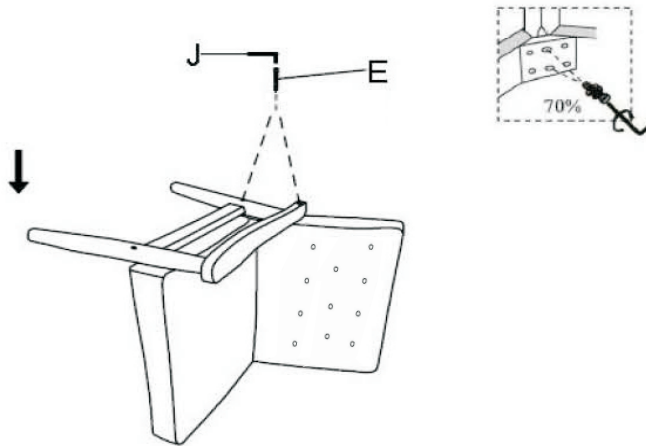
STEP 1



1. Connect BACK(A) to SEAT(B) ;
2. Stack SPRING WASHER(G) on FLAT WASHER(H) and use SCREW(E) to pass SPRING WASHER(G) and FLAT WASHER(H);
3. Using ALLEN KEY(J), rotate SCREW(E), SPRING WASHER(G), and FLAT WASHER(H) to the hole position of SEAT(B).

Note: When installing the screw, the screw only needs to be screwed to 70%.

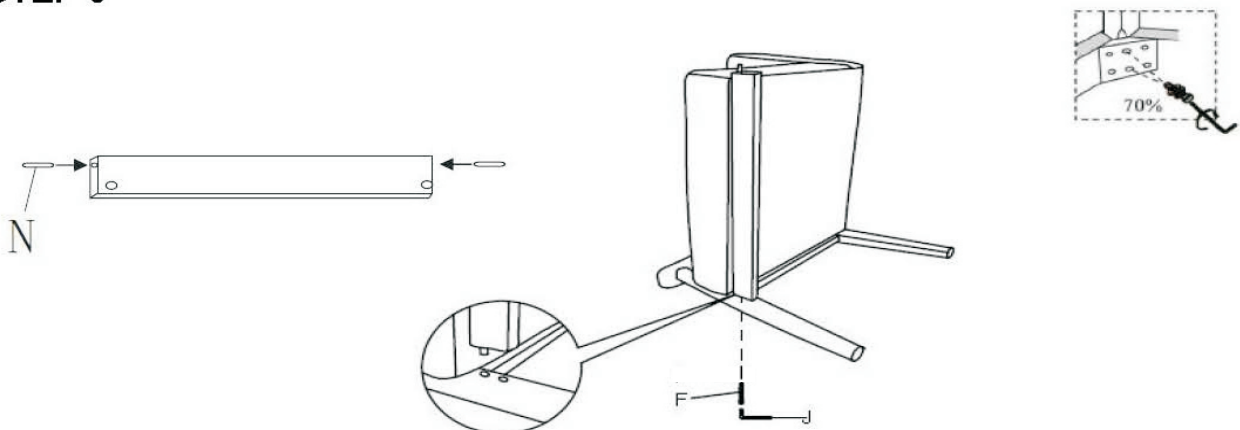
STEP 2



1. Compare ARMREST (C), separate the left and right handrails, and then take out an ARMREST (C) and connect BACK (A) as shown in the figure;
2. Use ALLEN KEY(J) to screw SCREW(E) into the hole of BACK(A).

Note: When installing the screw, the screw only needs to be completed to 70%

STEP 3

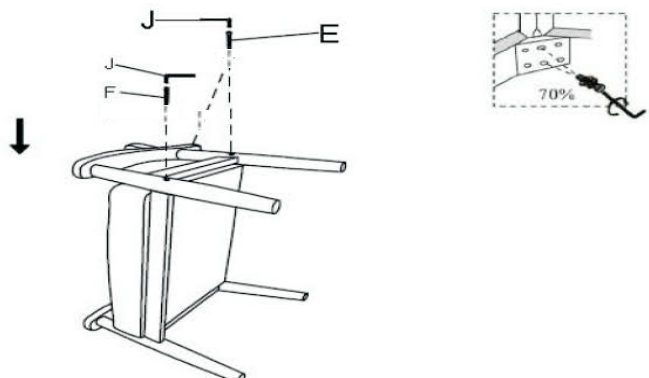


1. Insert Part (N) into the hole of Part (D), observe Part(D), separate the front and back, and then connect Part(D) to ARMREST(C) as shown in the figure;
2. Use ALLEN KEY(J) to screw SCREW(F) into the hole of CROSSPIECE(D)

Note: When installing the screw, the screw only needs to be completed to 70%

STEP 4

1. Connect another ARMREST(C) to BACK(A) and SEAT(B) as in STEP 3

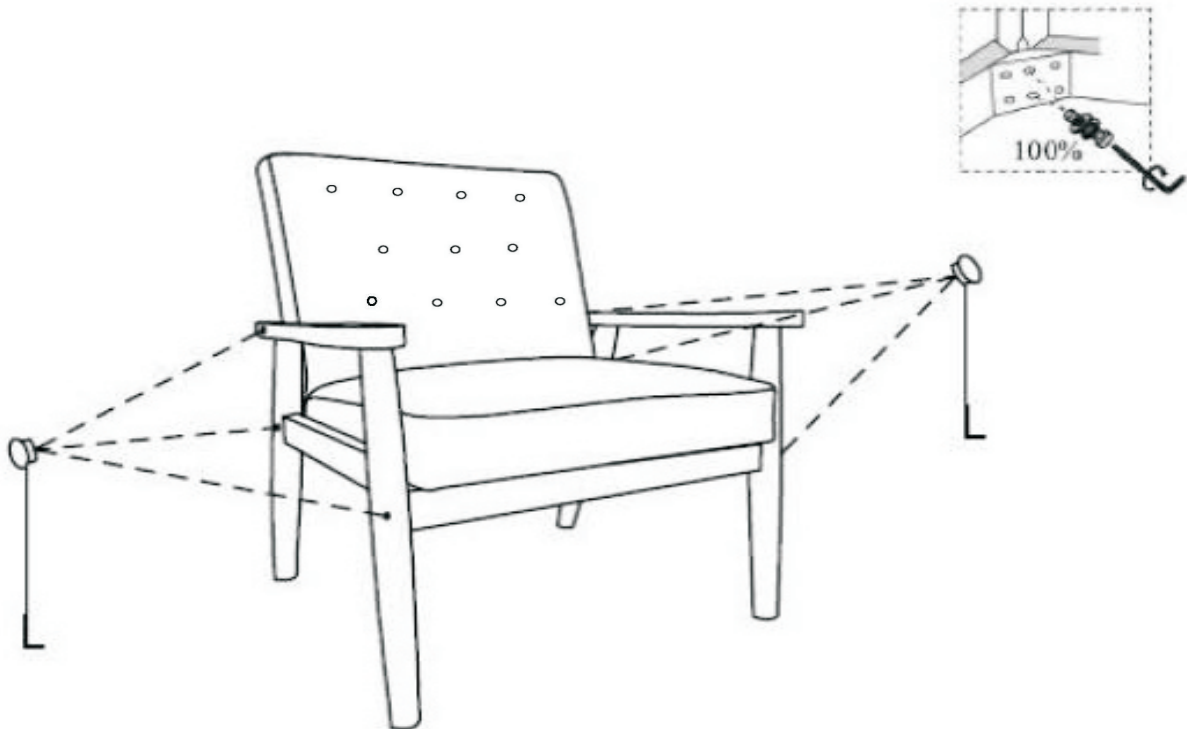


STEP 5

Screw SCREW(K) onto CROSSPIECE(D)



STEP 6



1. Screw all screws one by one to 100%
2. Place 6 COVER(L) on ARMREST(C).

Product assembly completed !