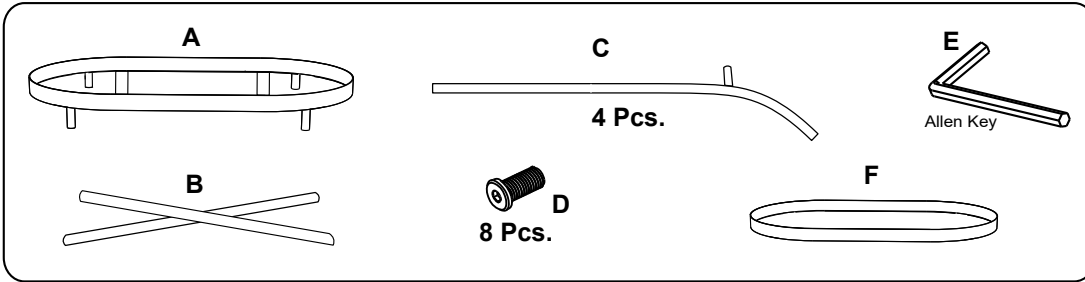


BREKX Iron Beverage Tub Stand - OvalSTANDx1

Assembly Instructions

For any assembly questions or concerns,
please contact us: sales@brekx.com

Parts For Assembly:

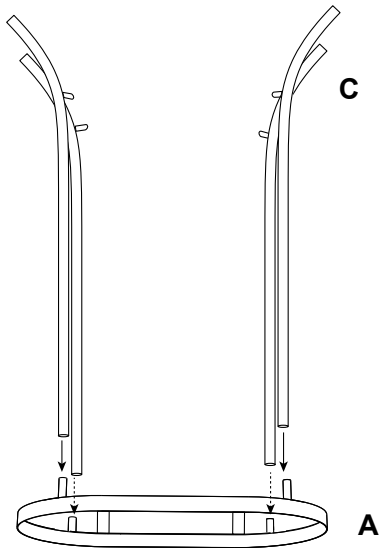


Scan QR code for additional help.



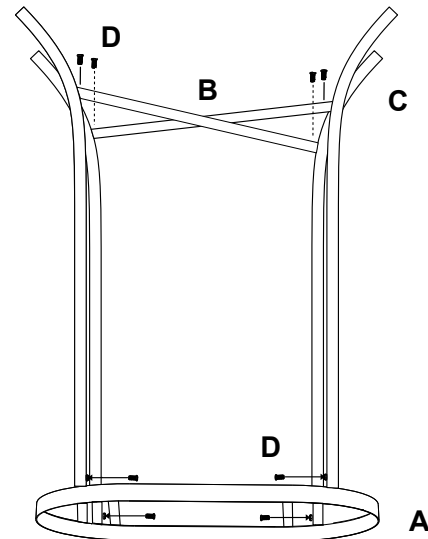
Step.1

Place top part (A) upside down, with the pegs facing up, on a flat level surface. Fit 4pcs of legs (C) over the provided pegs. **DO NOT SECURE WITH SCREWS YET.**



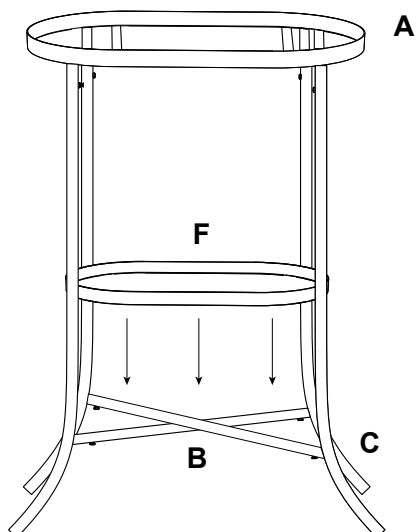
Step.2

Fit ends of crossbars (B) over the provided pegs found on each leg (C). Then, first secure crossbars (B) to legs (C) with 4pcs screws (D), using allen key (E). Last, secure legs (C) to top part (A) with 4pcs screws (D), using allen key (E).



Step.3

Turn stand right side up and slide tray (F) into place.



Fully Assembled

