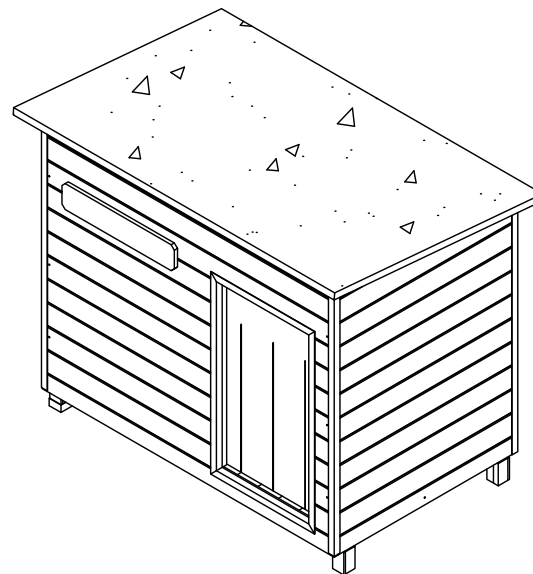


ASSEMBLY INSTRUCTIONS  
PLEASE RETAIN THESE INSTRUCTIONS FOR FUTURE USE



TIME ASSEMBLE : 30-60 minutes



NUMBER OF PERSON: 2

Greeting!  
So here I am

## *your new pet house*

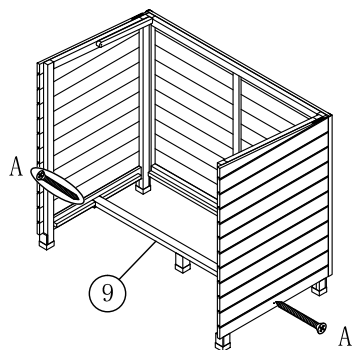
- ▶ Thanks for letting me be a home for your furry friend(s).
- ▶ They'll be cozy and protected from the weather when they're with me.
- ▶ Just remember to take care of me too, so I can last a long time.
- ▶ When you first get me, you might smell a funny smell. Don't worry it's not dangerous.
- ▶ Just let me air out for a few days and the smell will go away.
- ▶ Be careful when you're putting me together because some of my parts can be sharp or heavy.
- ▶ Make sure to start by loosely putting in screws, and then tighten them all before using me.
- ▶ If you notice anything broken or missing, stop using me until it's fixed. and please follow the instructions from the maker so your warranty stays good.
- ▶ You can use me both inside and outside, but if you put me outside, make sure to give me an extra cover to keep me from getting moldy.
- ▶ I like to be on a level surface so my doors work smoothly.
- ▶ Keep me away from fire and dangerous chemicals.
- ▶ Clean me with a damp, soapy sponge without corrosive agents.
- ▶ Dry me with a soft, clean, dry cloth.
- ▶ Do not use a high pressure cleaner on me.
- ▶ Do not use bleach, acids, solvents, or abrasive cleaners on me.
- ▶ Check that all my bolts, screws, and knobs are tight every 90 days.



## **HELP CENTER**

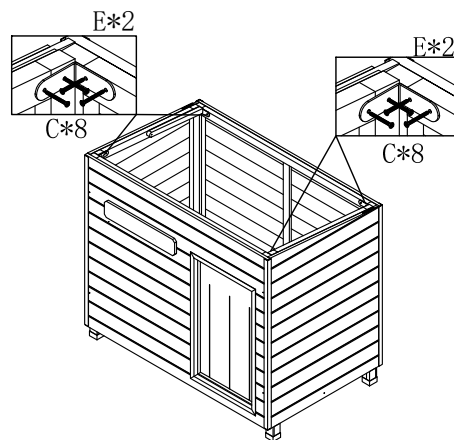
- ▶ Your full satisfaction is our **FIRST** priority
- ▶ We hope you enjoy it and have a good shopping experience.
- ▶ We are committed to resolve any situation when it does not meet your expectations.
- ▶ Please feel free to contact us through order detail page, we will get back to you and solve them within 24 hours.

A M4.0\*50 2PCS



Fix ⑨Supporter of Bottom panel with screws.

C M3.0\*16 16PCS E 4PCS

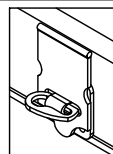


Fix (E)\*4 Angle iron on 4 corners with screws.

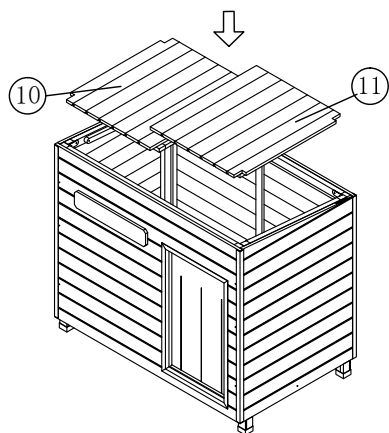
STEP 5

STEP 6

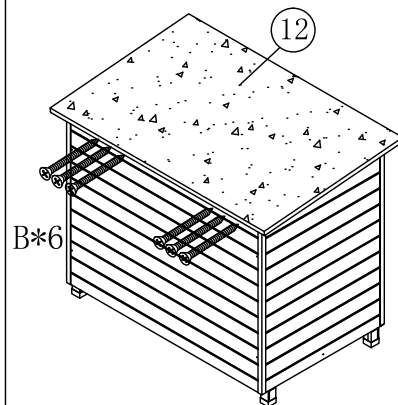
B M3.0\*18 6PCS



Please put the lock on before fix the hinge.



Insert ⑩Bottom panel, ⑪Bottom panel.



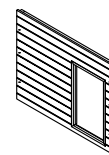
Fix ⑫Roof with screws.

STEP 7

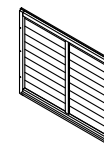
STEP 8

# ASSEMBLY INSTRUCTION

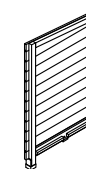
Tool Required: Electric Drill Phillips Screwdriver



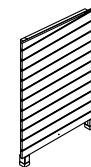
① Front panel



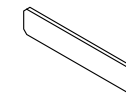
② Back panel



③ Left panel



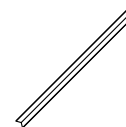
④ Right panel



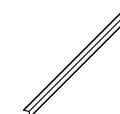
⑤ Wooden nameplate



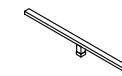
⑥ Door curtain



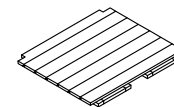
⑦ \*2 Aluminum wrap of front panel



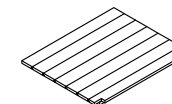
⑧ \*2 Aluminum wrap of back panel



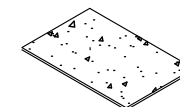
⑨ Supporter of Bottom panel



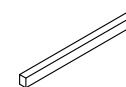
⑩ Bottom panel



⑪ Bottom panel



⑫ Roof


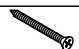




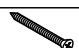


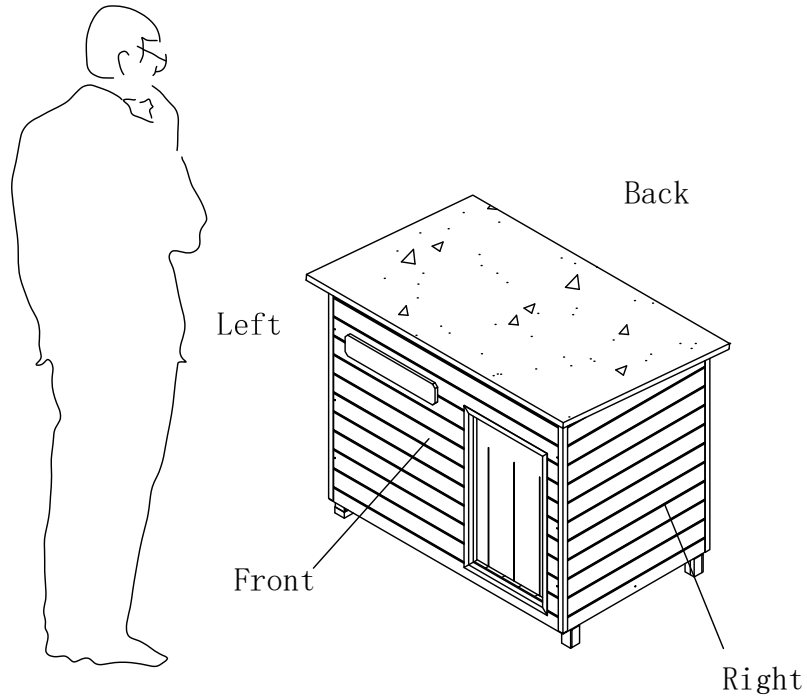
⑬ Wooden supporter

# ASSEMBLY INSTRUCTION

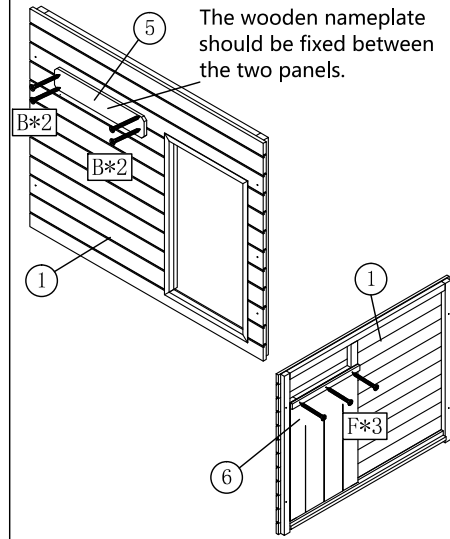
Tool Required:  Electric Drill  Phillips Screwdriver

## Parts Description

	A	M4. 0*50	14PCS+1
	B	M3. 0*18	10PCS+1
	C	M3. 0*16	28PCS+1
	D	M4. 0*35	1PC+1
	E		4PCS
	F	M3. 0*25	3PCS+1



B M3. 0\*18 4PCS F M3. 0\*25 3PCS

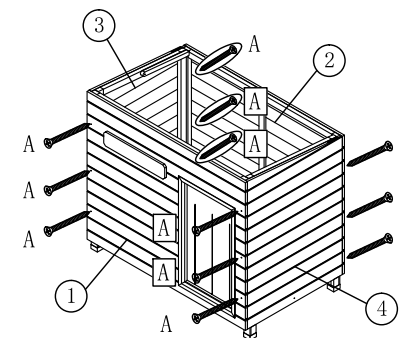


The wooden nameplate should be fixed between the two panels.

Fix ⑤ Wooden nameplate, ⑥ Door curtain on ① Front panel with screws.

STEP 1

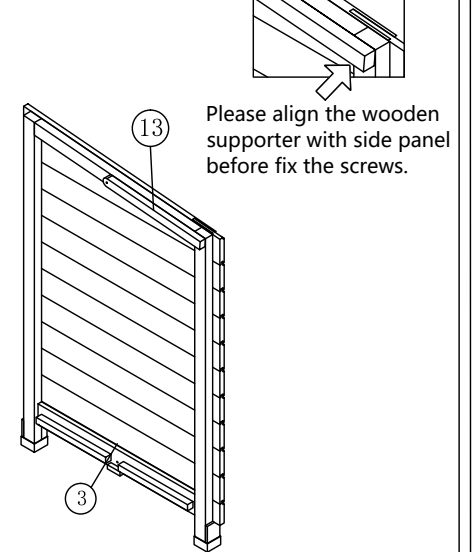
A M4. 0\*50 12PCS



Fix ① Front panel, ② Back panel, ③ Left panel, ④ Right panel with screws.

STEP 3

D M4. 0\*35 1PC

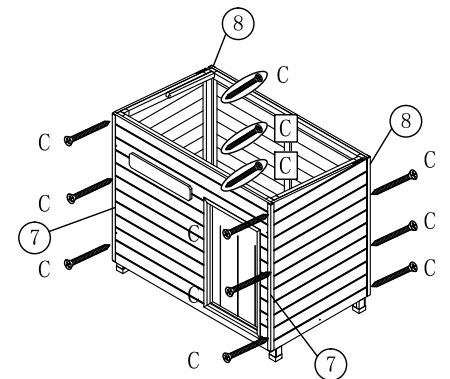


Please align the wooden supporter with side panel before fix the screws.

Fix ⑬ Wooden supporter on ③ Left panel with screw.

STEP 2

B M3. 0\*16 12PCS



Fix ⑦\*2 Aluminum wrap of front panel, ⑧\*2 Aluminum wrap of back panel with screws.

STEP 4