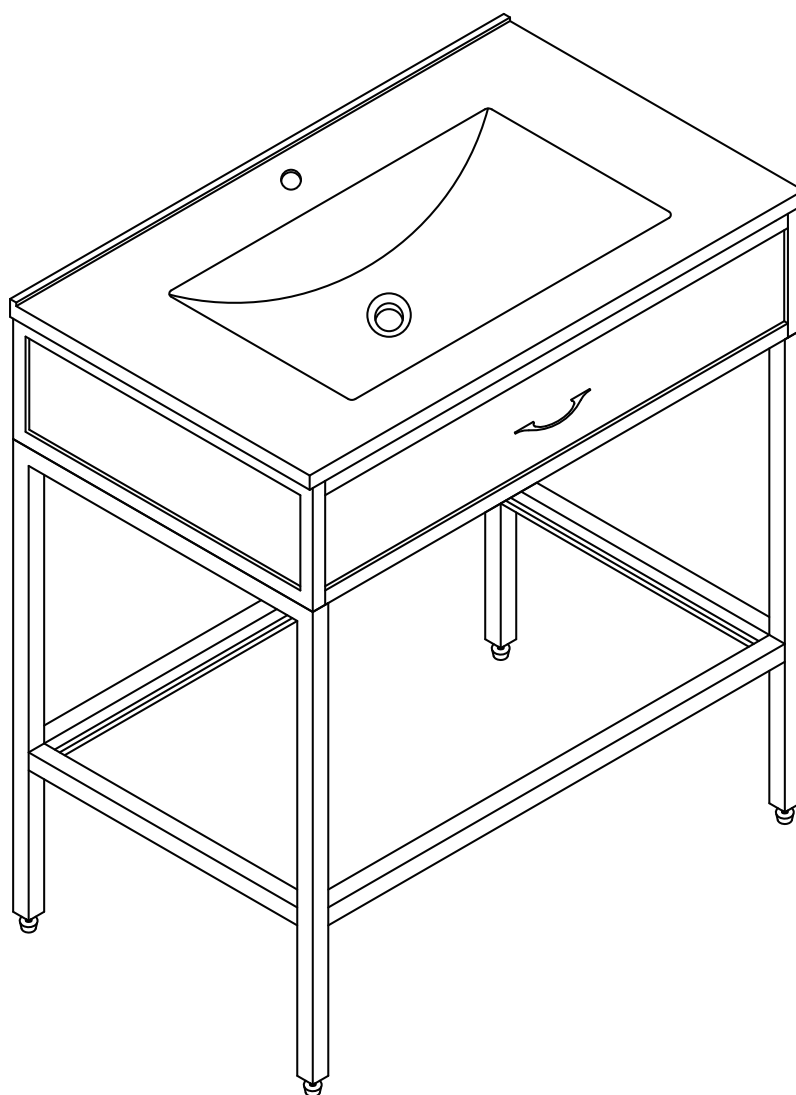


# INSTALLATION MANUAL





## **PROFESSIONAL INSTALLATION REQUIRED - CONTRACTOR AND PLUMBER needed for Installation.**

- Please read all instructions carefully before assembling.
  - For your safety, assembly by two or more adults is strongly recommended.
  - Keep instructions for future use.
  - Use only vendor supplied hardware to assemble. Using unauthorized hardware could jeopardize the structural integrity of the item.
  - The Vanity Base must be secured to the wall.
- Note: Consoles usually need to be leveled and mounted to both wall and floor.
- Note: Some cutting of the baseboard, and drilling may be necessary to mount console base to wall.

### **PRE-ASSEMBLY:**

- Do not dispose of any packaging or contents of the shipping carton until assembly is completed to avoid accidentally discarding small parts or hardware.
- Use the parts and hardware lists below to identify and separate each of the pieces included.
- The illustrations provided allow for easier assembly when used in conjunction with the assembly instructions.
- Keep all parts out of the reach of children.

### **THE VANITY MUST BE SECURED TO THE WALL.**

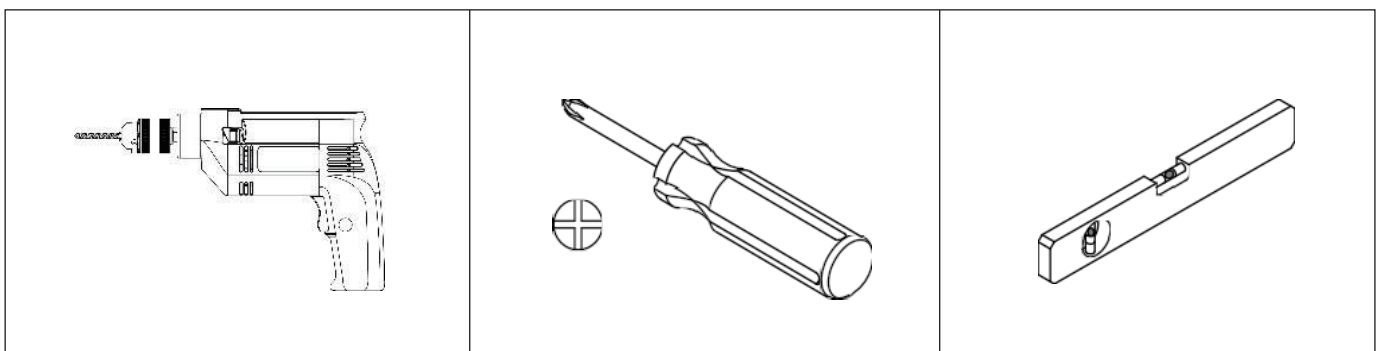
NOTE: For safe mounting it is essential to use the proper hardware for your wall type.

Measure the location of the plumbing in the wall. Mark the back panel of the case corresponding to the location of the plumbing. Cut holes in the back panel for the plumbing to pass through.

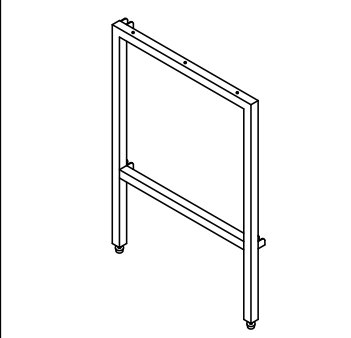
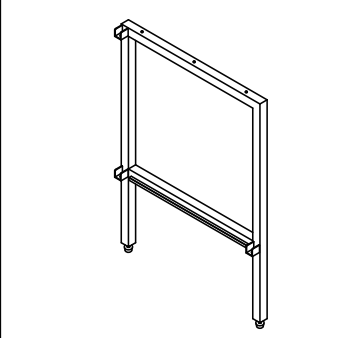
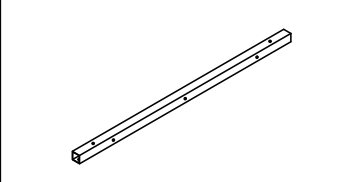
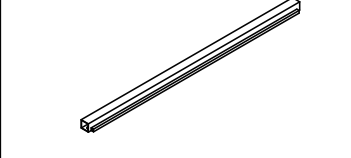
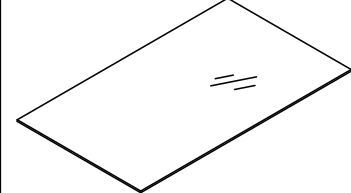
Move the BASE to the desired placement against the wall. Use a sharp pencil or a screw to mark the wall through the holes on top rail.

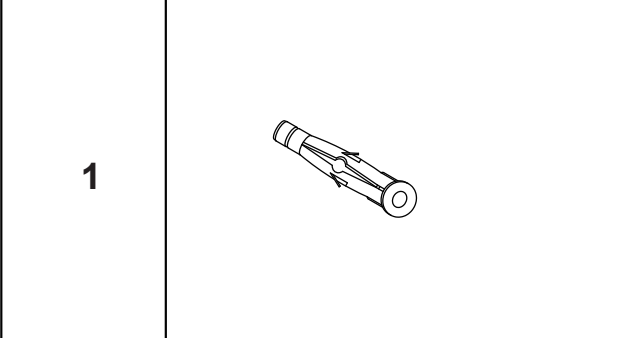
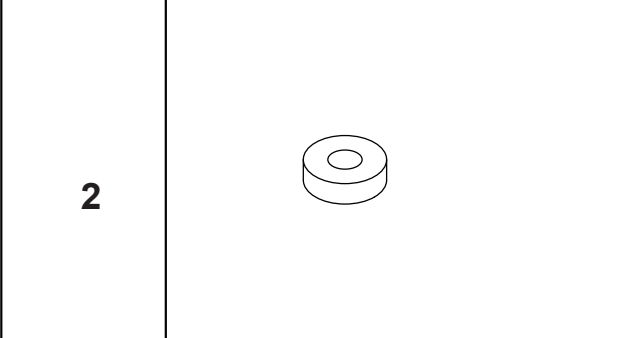
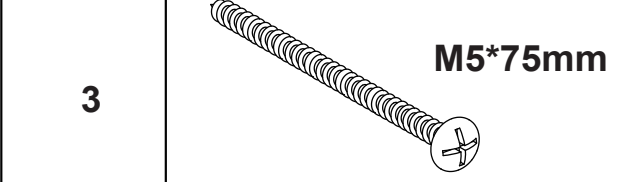
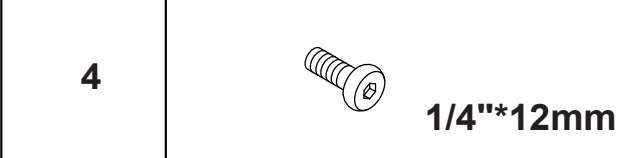
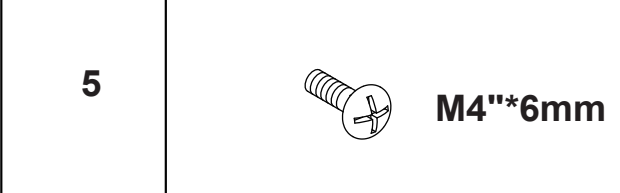
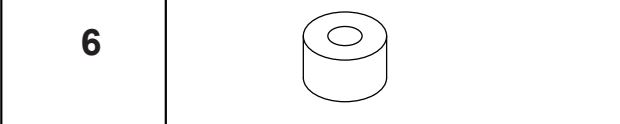
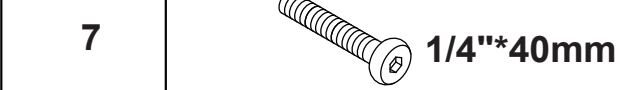
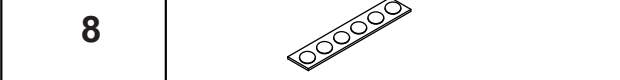
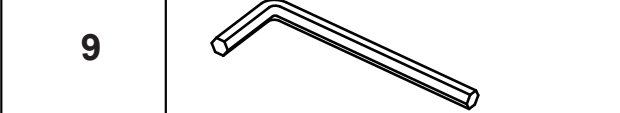
NOTE: New holes can be drilled in the top back rail of the vanity to properly align with the wood studs.

### **Tools Required (not included)**



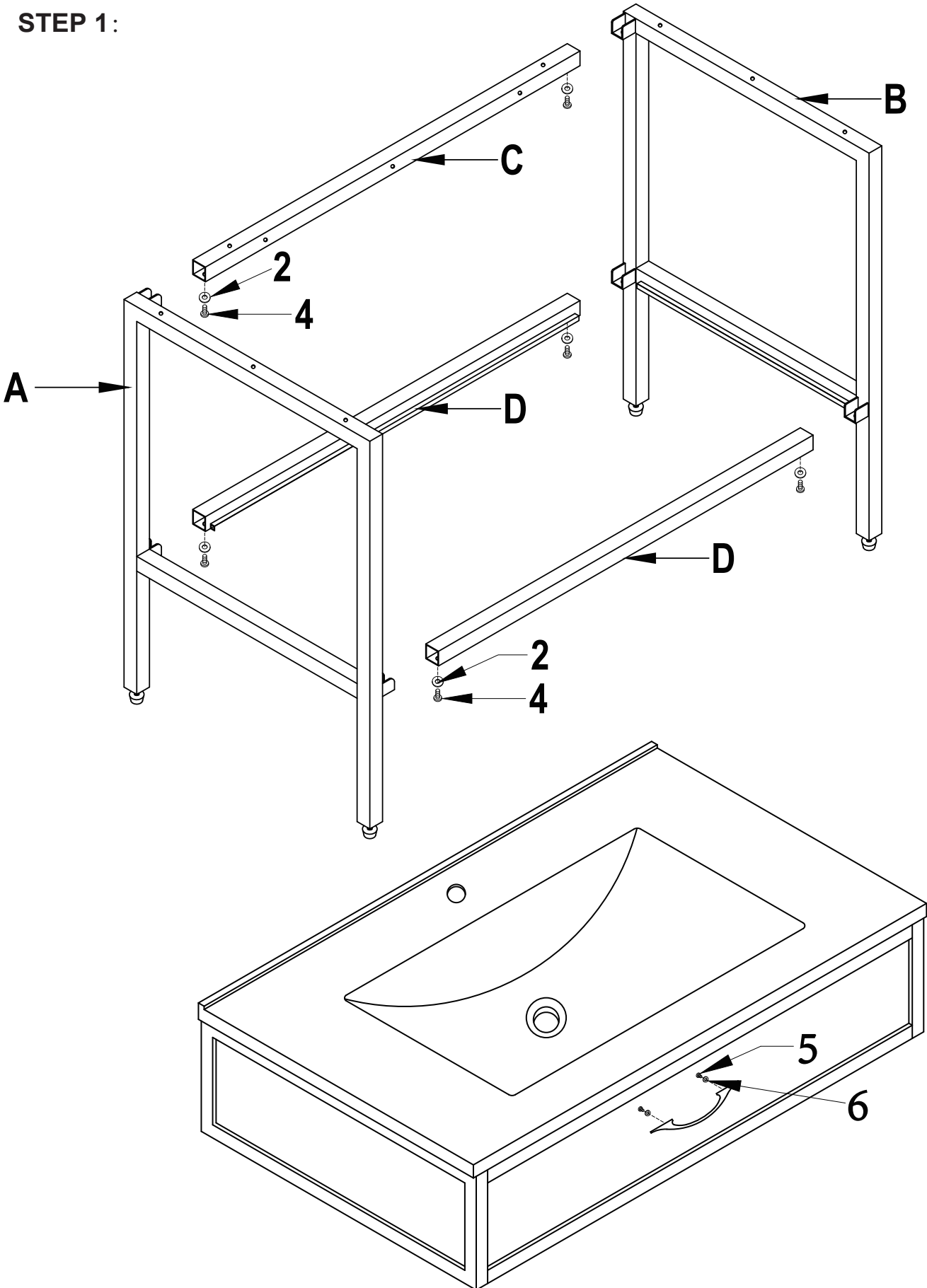
# PART LIST:

NO.	SKETCH	Q'TY
A		1
B		1
C		1
D		2
E		1

NO.	SKETCH	Q'TY
1		3
2		14
3	 <b>M5*75mm</b>	3
4	 <b>1/4"*12mm</b>	6
5	 <b>M4"*6mm</b>	2
6		2
7	 <b>1/4"*40mm</b>	8
8		1
9		1

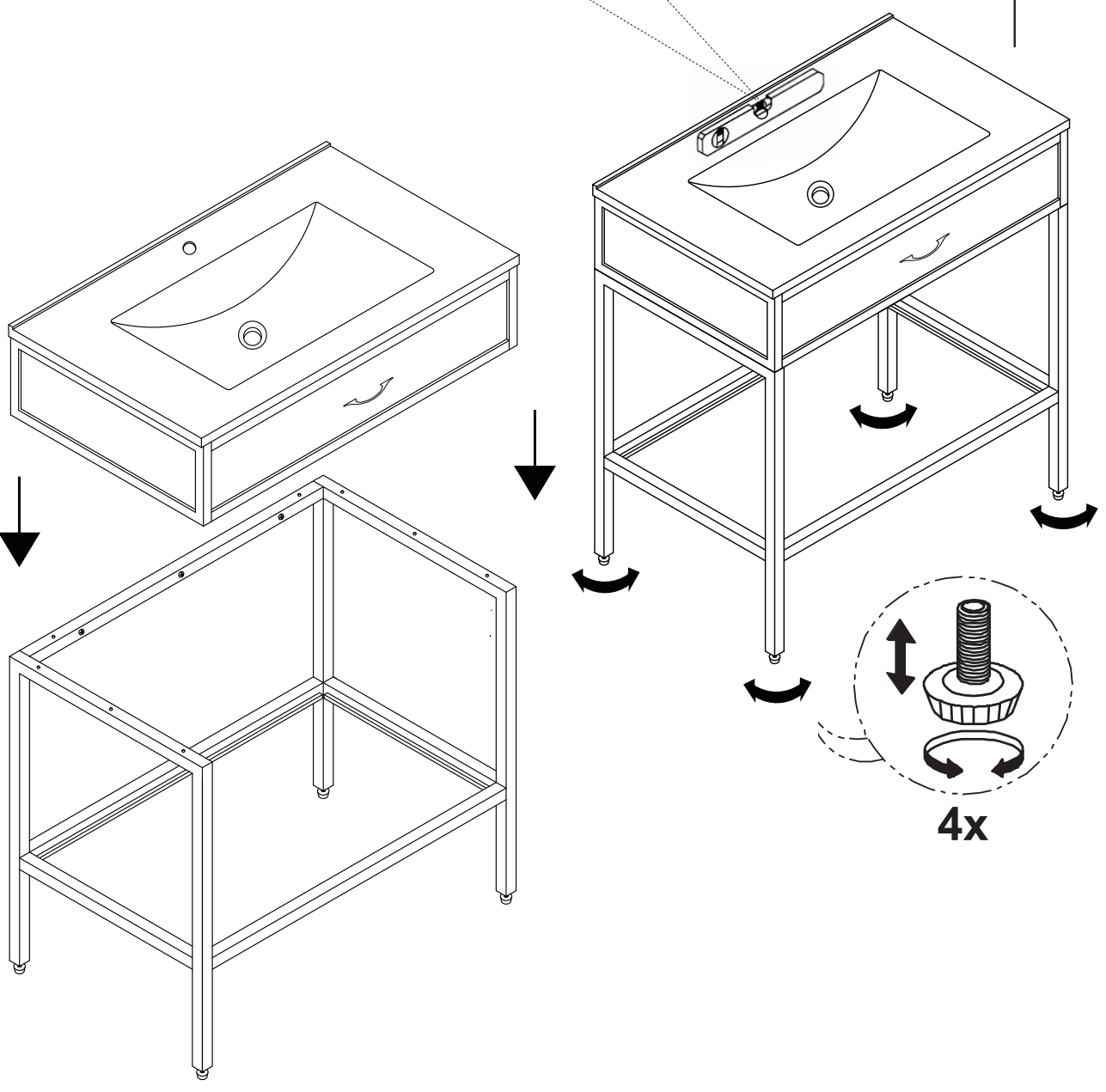
# ASSEMBLING INSTRUCTION

STEP 1:

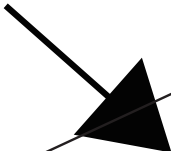
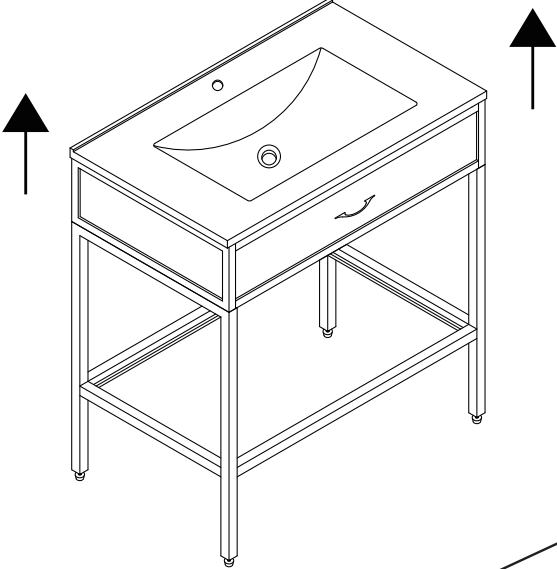


**STEP 2:**

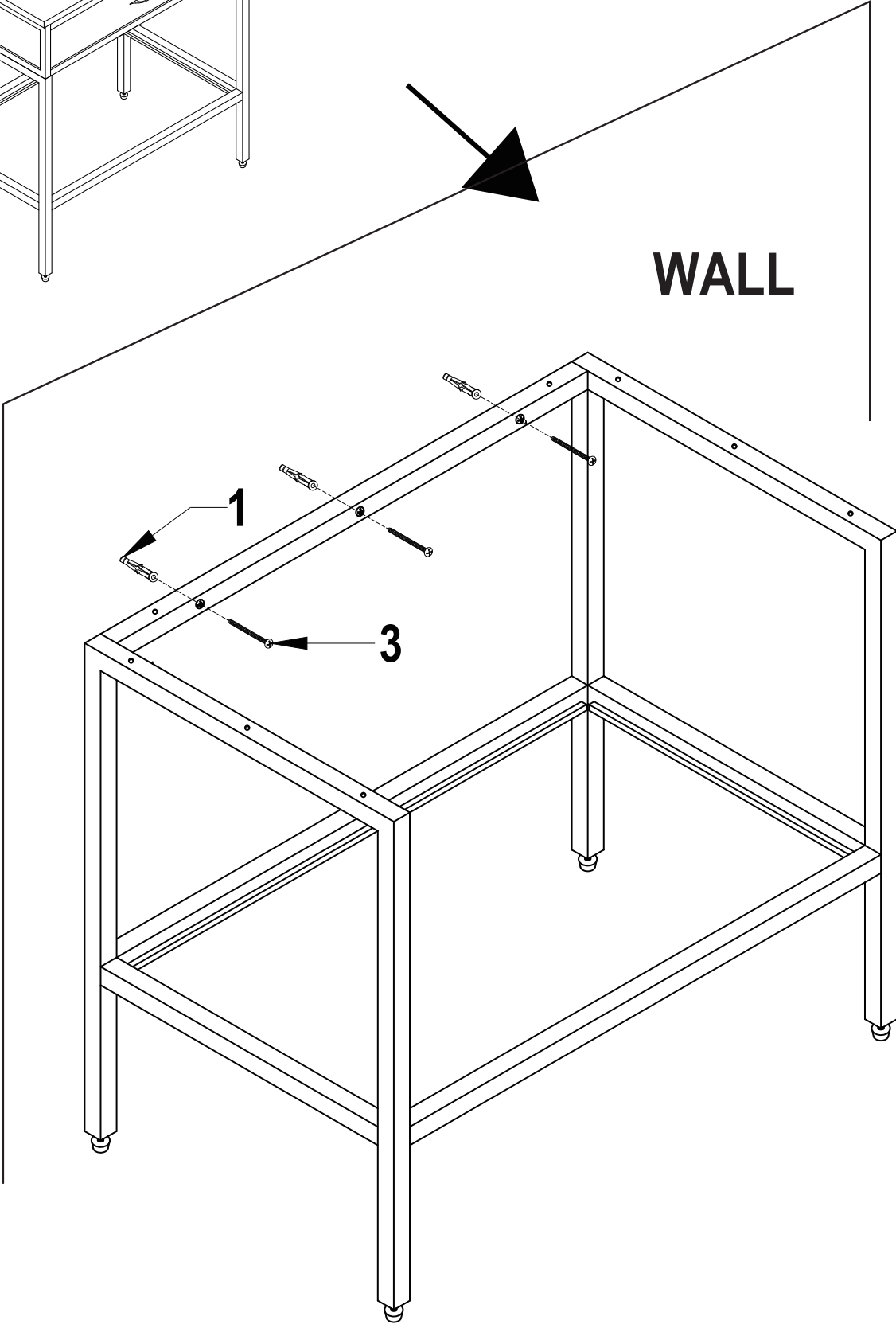
**WALL**



**STEP 3:**

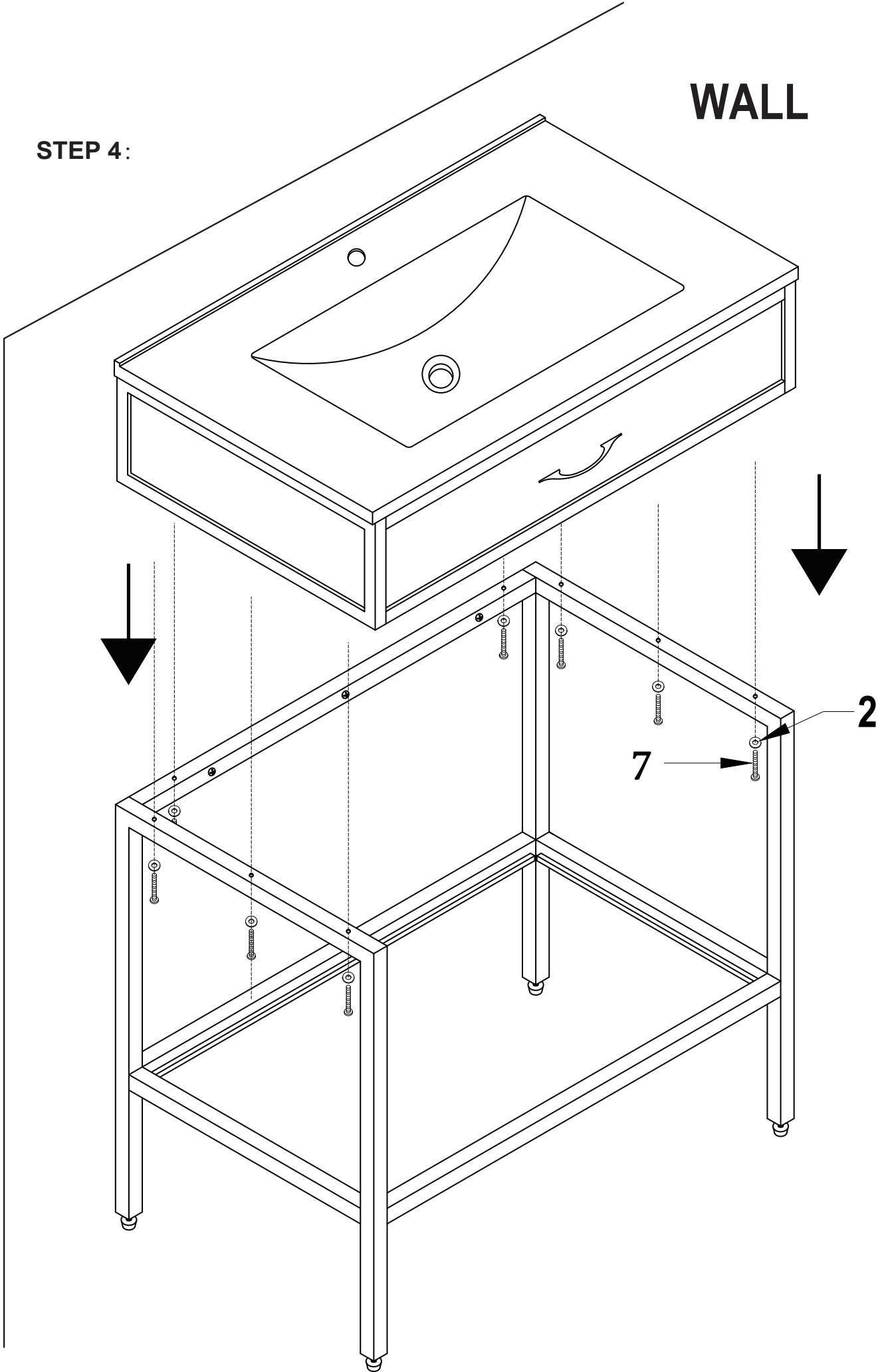


**WALL**



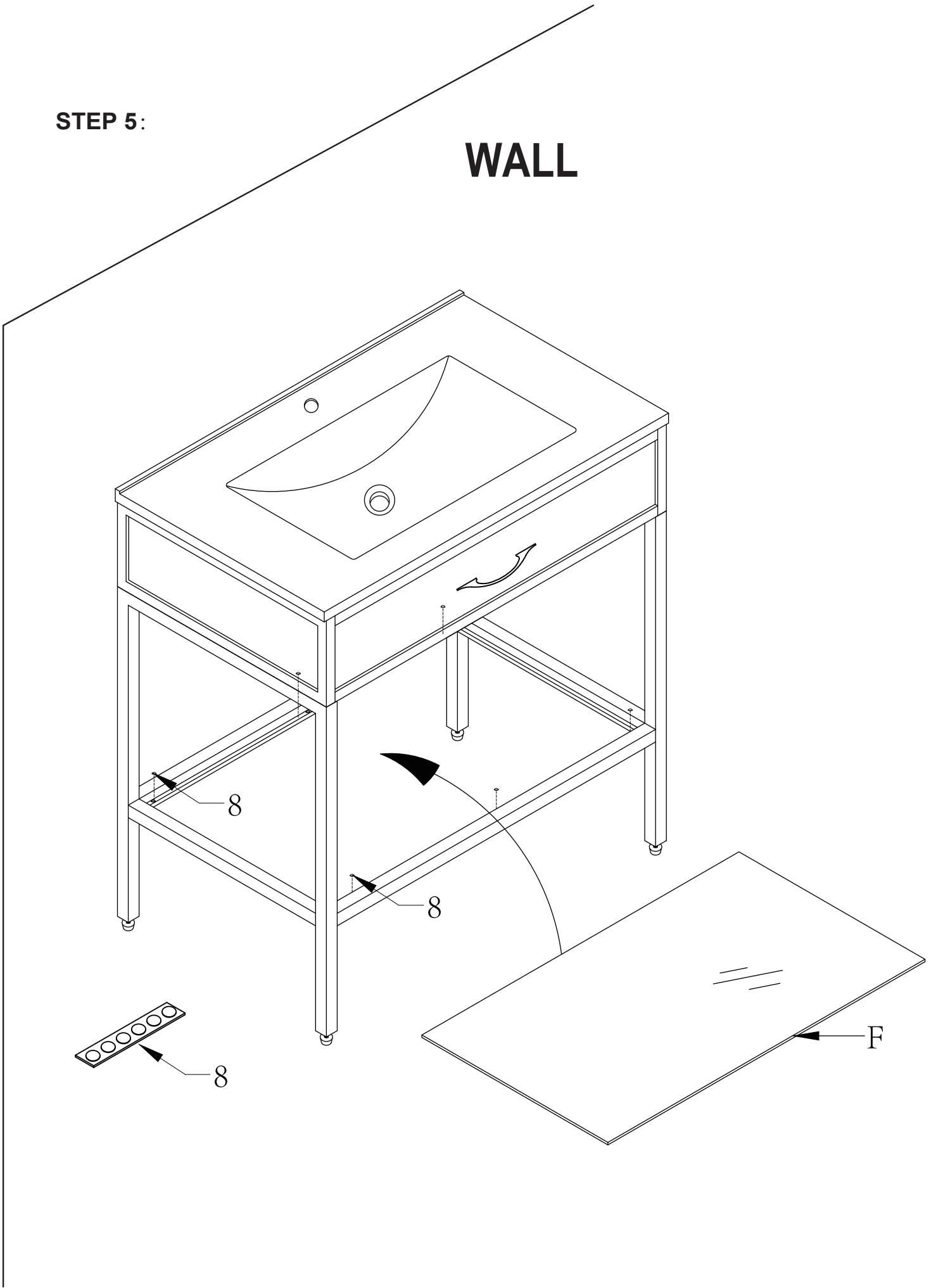
**WALL**

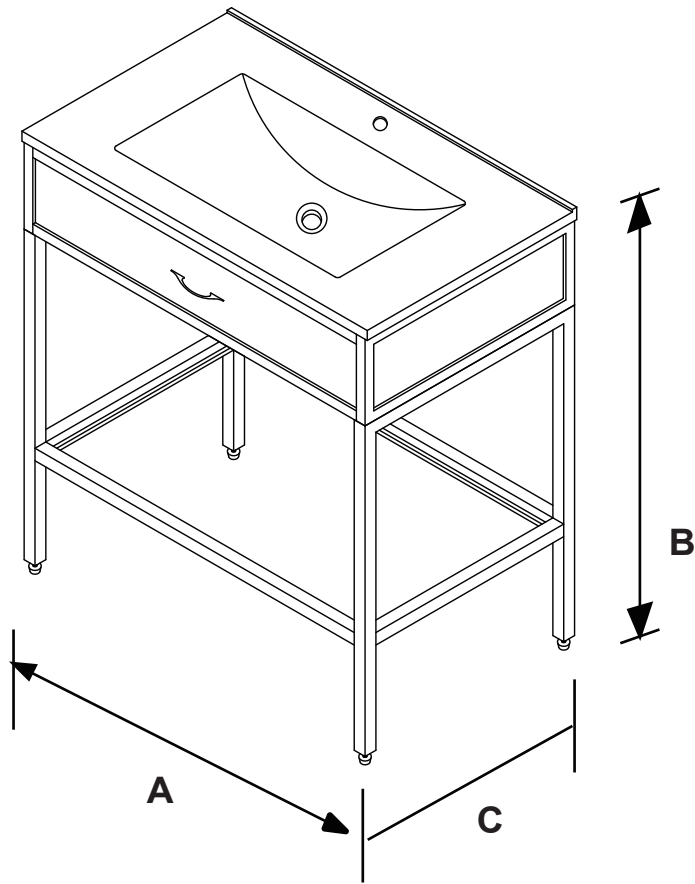
**STEP 4:**



**STEP 5:**

**WALL**





**A** - Width  
**B** - Height  
**C** - Depth

Unit: Inch

SKU#	A	B	C
AS-VT24-BLK	25	33.5	19
AS-VT24-WHT	25	33.5	19
AS-VT30-BLK	31	33.5	19
AS-VT30-WHT	31	33.5	19
AS-VT36-BLK	37	33.5	19
AS-VT36-WHT	37	33.5	19

*Note: All dimensions & specifications are approximate and subject to change without notice.*

**Customer Service:**

For any questions or queries regarding our products, please contact our support team:  
 Email : [cs@hbezon.com](mailto:cs@hbezon.com)