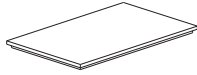


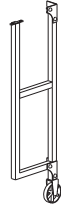
ASSEMBLY INSTRUCTION

COUNTER HEIGHT DESK

A Table Top **B** Right Leg **C** Left Leg **D** Table Panel **E** Shelf



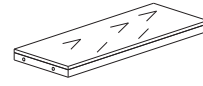
1 pc



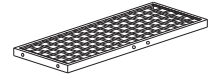
2 pcs



2 pcs



2 pcs



2 pcs

F Cross Bar



1 pc

G Bolt With
Lock Washer
And Flat
Washer
1/4", 5/8"



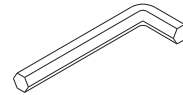
20 pcs

H Flat Head
Bolt
1/4", 1"

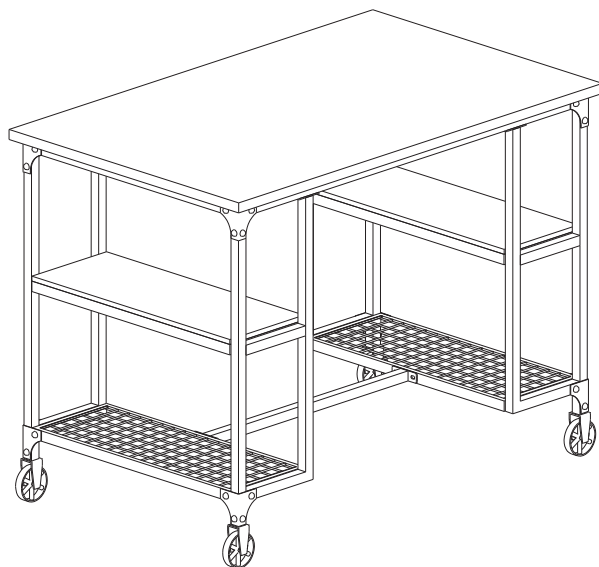


16 pcs

I Allen Key
3/16"

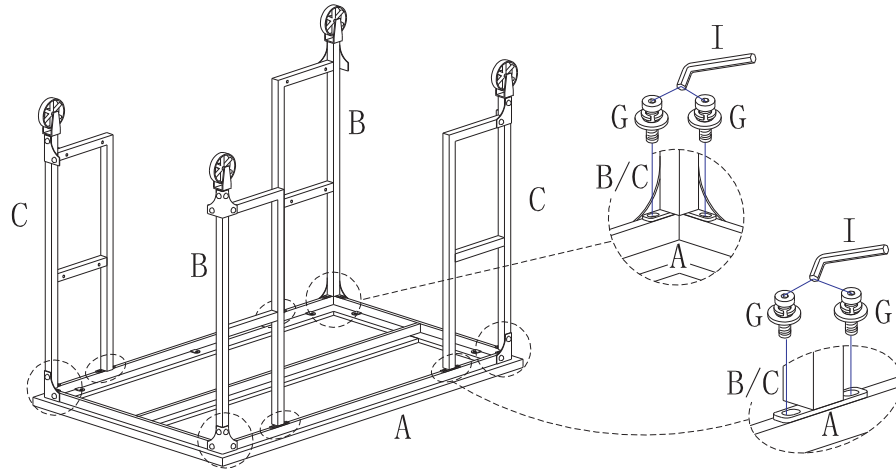


1 pc

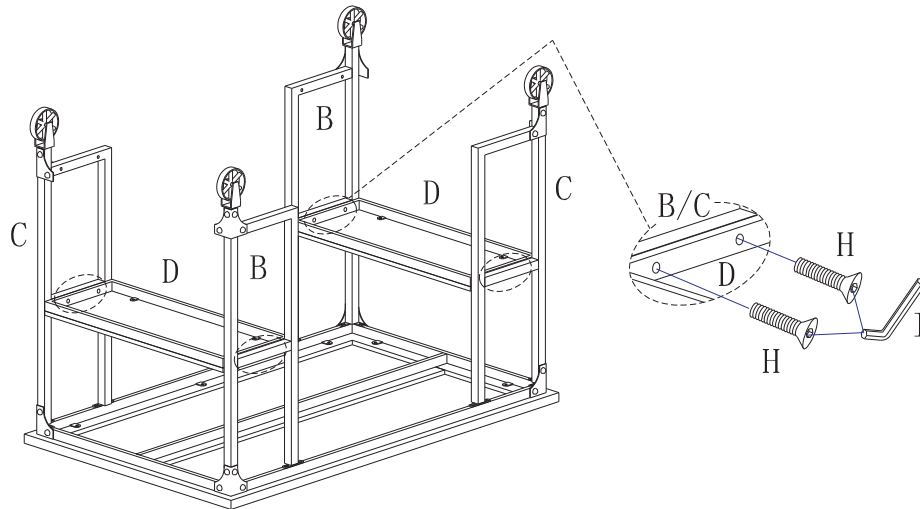


This page lists all the contents included in the box. Please take the time to identify the hardware as well as the individual components to this product. As you unpack and prepare for assembly, place the contents on a carpeted or padded area to protect them from damage.

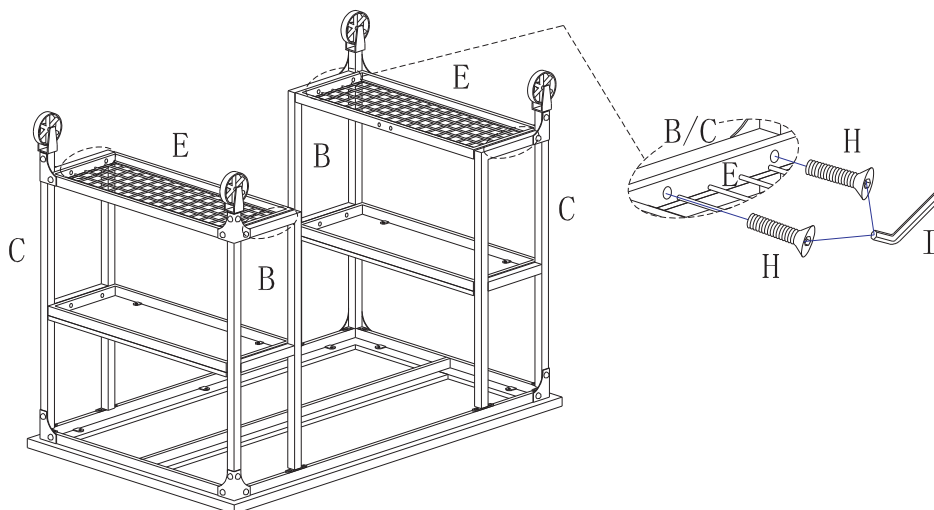
- 1** Put the Table Top (A) on a smooth and stable working stand. Attach the Right Leg (B) and Left Leg (C) to the Table Top (A), using Bolt With Lock Washer And Flat Washer (G) and Allen Key (I) to tighten.



- 2** Attach the Table Panel (D) to the Left Leg (C) and Right Leg (B), using Flat Head Bolt (H), and Allen Key (I) to tighten.

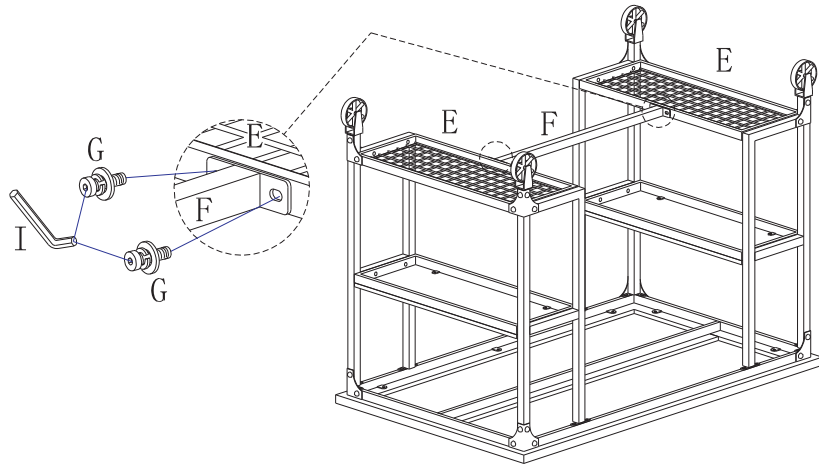


- 3** Attach Shelf (E) to the Right Leg (B) and Left Leg (C), using Flat Head Bolt (H) and Allen Key (I) to tighten.

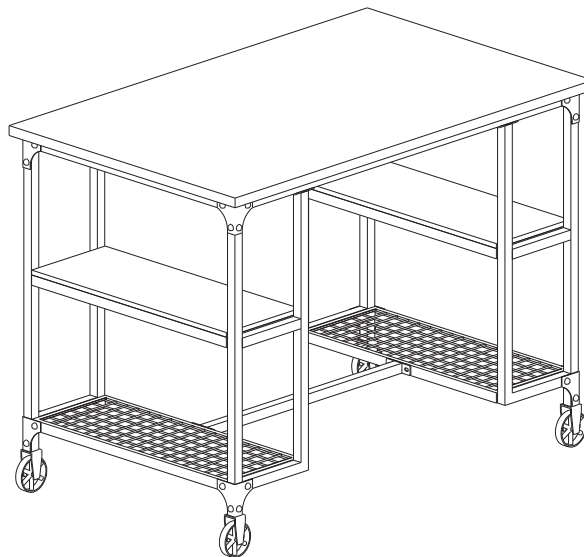


4

Attach the Cross Bar (F) to the Shelf (E), using Bolt With Lock Washer And Flat Washer (G) and Allen Key (I) to tighten.

**5**

Turn the table up.



Cleaning & Care

Treat surface with care. Surface is resistant to scratches but is not scratch resistant. Clean surfaces with a dry or damp soft cloth. Do not use abrasive cleaners. Hardware may loosen over time. Periodically check that all connections are tight.