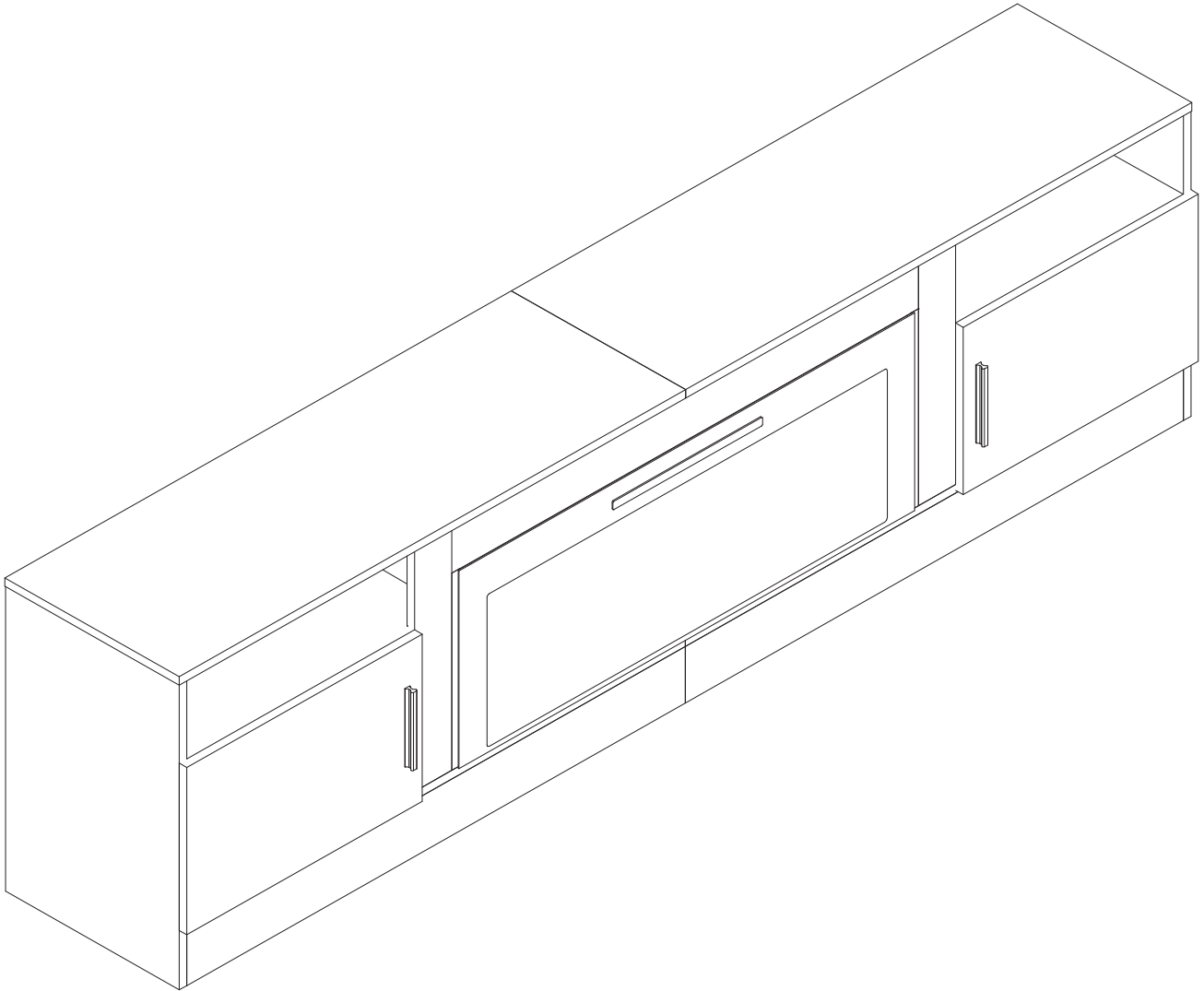


Installation & Assembly



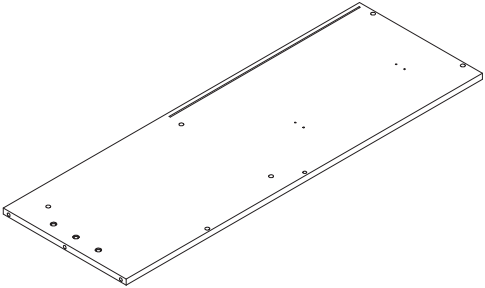
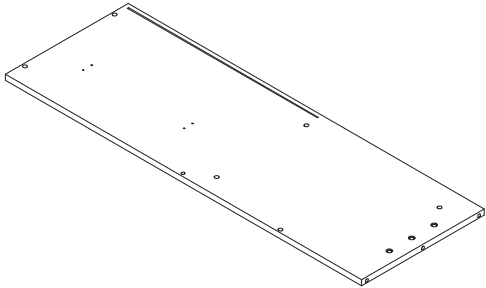
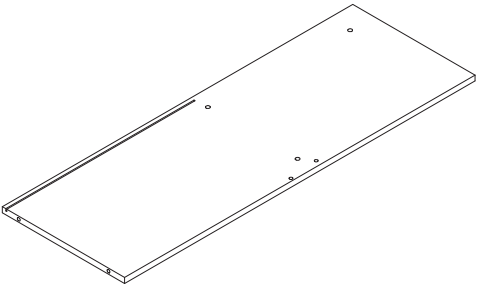
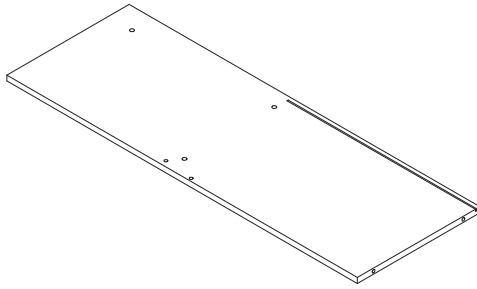
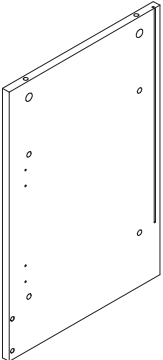
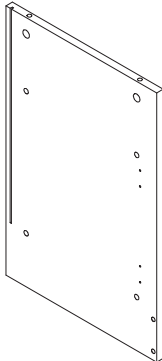
Attention: The Fireplace and TV stand come in two packages. May deliver on different days.

Attention: The LED light strip comes with fireplace. Please install the light strip after receive all the two packages. Thanks.

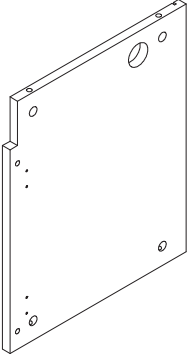
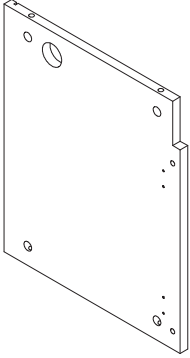
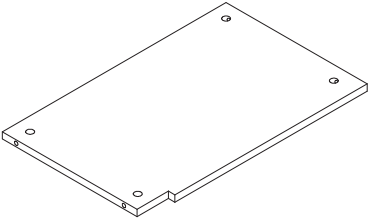
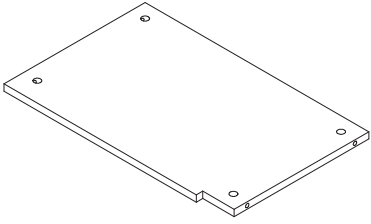
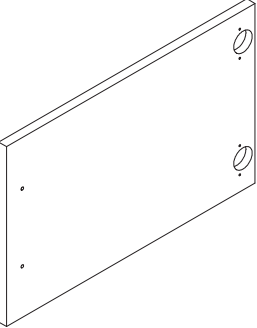

Missing parts, damages, and any problems in the installation process, please contact us by text or email.

Please choose SMS or email as your first choice for communicating with us.


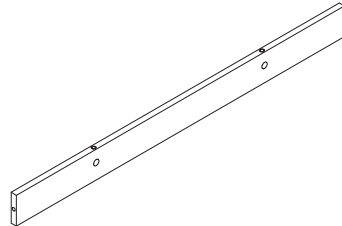
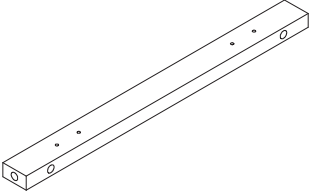
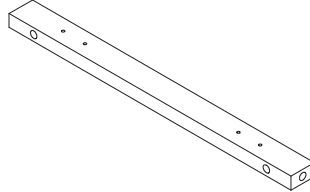

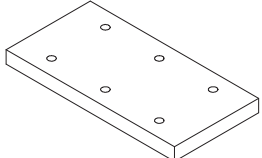
Parts list

<p>①</p>  <p>1PC</p>	<p>②</p>  <p>1PC</p>
<p>③</p>  <p>1PC</p>	<p>④</p>  <p>1PC</p>
<p>⑤</p>  <p>1PC</p>	<p>⑥</p>  <p>1PC</p>

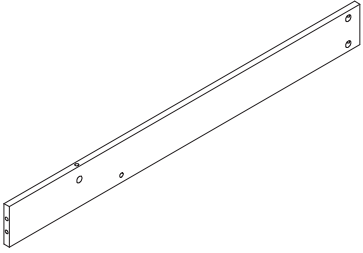
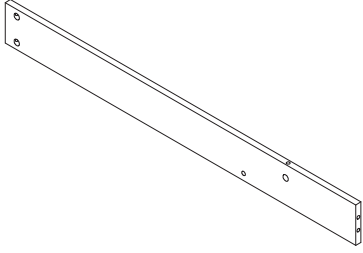
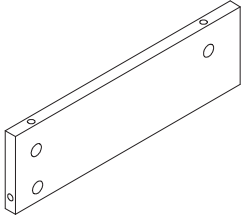
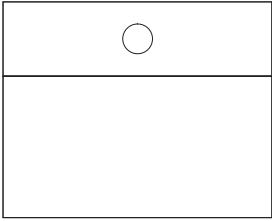
Parts list

<p>⑦</p>  <p>1PC</p>	<p>⑧</p>  <p>1PC</p>
<p>⑨</p>  <p>1PC</p>	<p>⑩</p>  <p>1PC</p>
<p>⑪</p>  <p>2PCS</p>	<p>⑫</p>  <p>1PC</p>

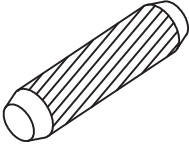

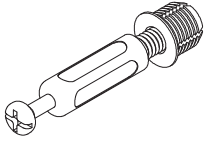
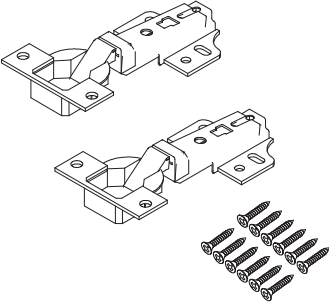

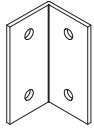
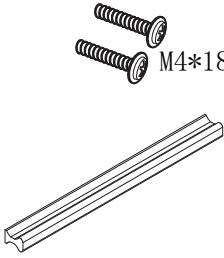
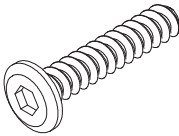
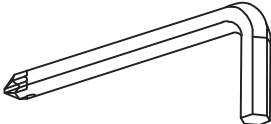
Parts list

<p>⑬</p>  <p>1PC</p>	<p>⑭</p>  <p>1PC</p>
<p>⑮</p>  <p>1PC</p>	<p>⑯</p>  <p>1PC</p>
<p>⑰</p>  <p>1PC</p>	<p>⑱</p>  <p>2PCS</p>

Parts list

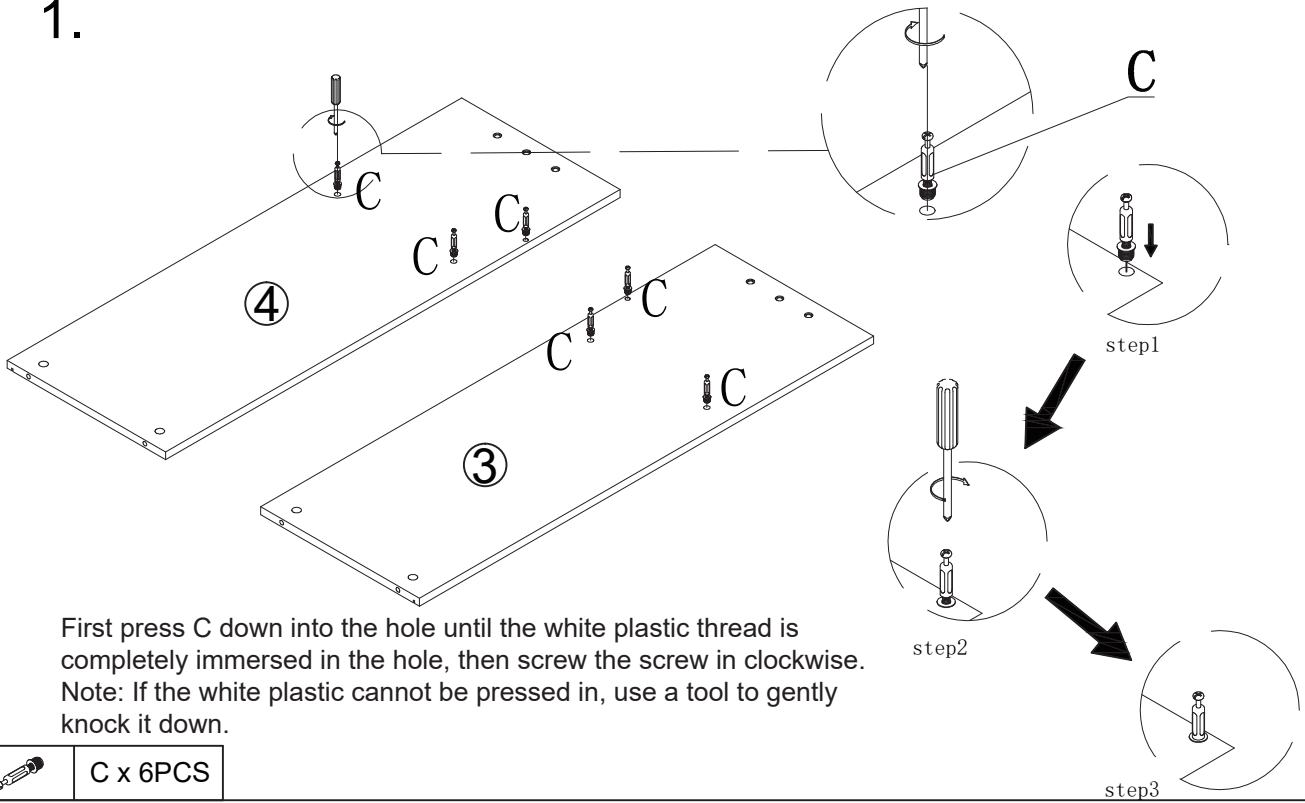
<p>①9</p>  <p>1PC</p>	<p>②0</p>  <p>1PC</p>
<p>②1</p>  <p>2PCS</p>	<p>②2</p>  <p>2PCS</p>

Parts list

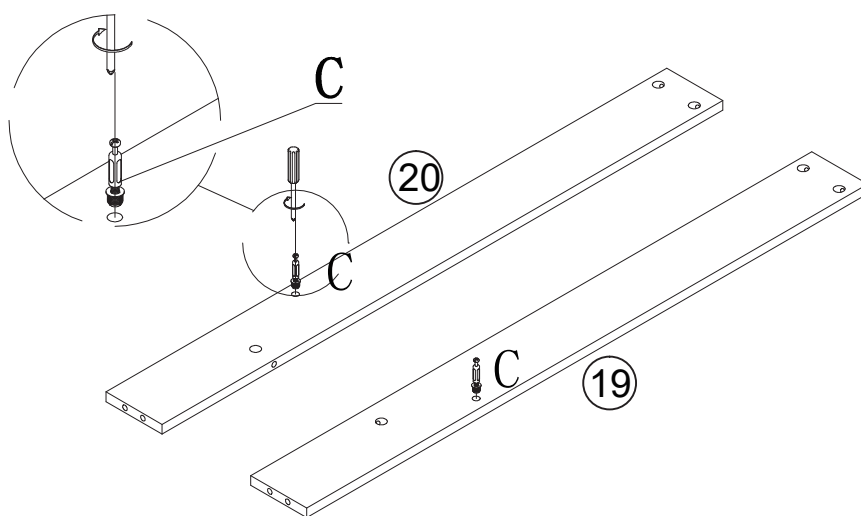
<p>A</p>  <p>ϕ 8*30mm</p> <p>20+1PCS</p>	<p>B</p>  <p>ϕ 15*12mm</p> <p>46+1PCS</p>	<p>C</p>  <p>ϕ 6*43mm</p> <p>46+1PCS</p>
<p>D</p>  <p>2PCS</p>	<p>E</p>  <p>K3.5*14mm</p> <p>22+1PCS</p>	<p>F</p>  <p>4PCS</p>
<p>G</p>  <p>M4*18mm</p> <p>2PCS</p>	<p>H</p>  <p>M6*25mm</p> <p>12+1PCS</p>	<p>I</p>  <p>M4</p> <p>1PC</p>

Installation steps


1.



2.

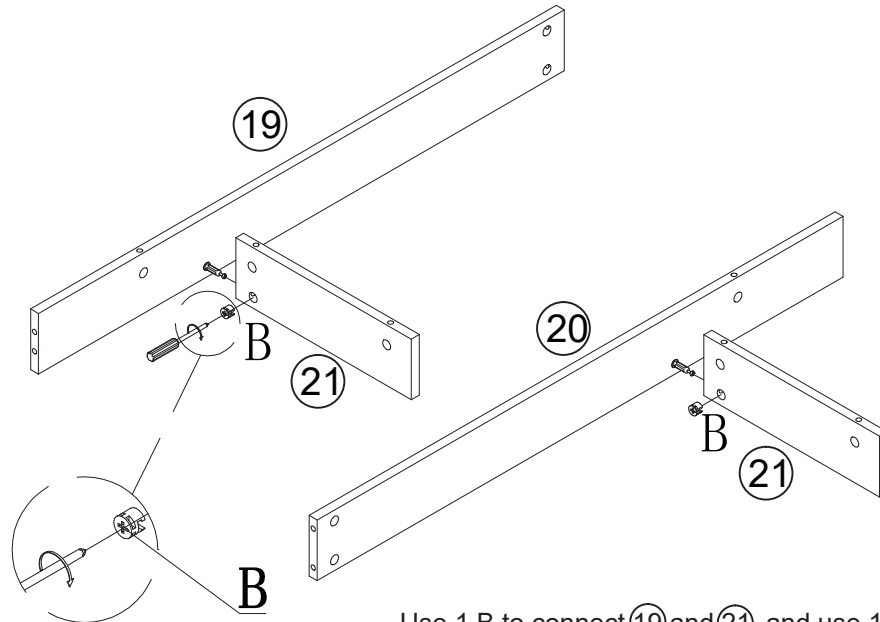


Install 1 C on (19), and install 1 C on (20) in the same way.

	C x 2PCS
---	----------

Installation steps

3.

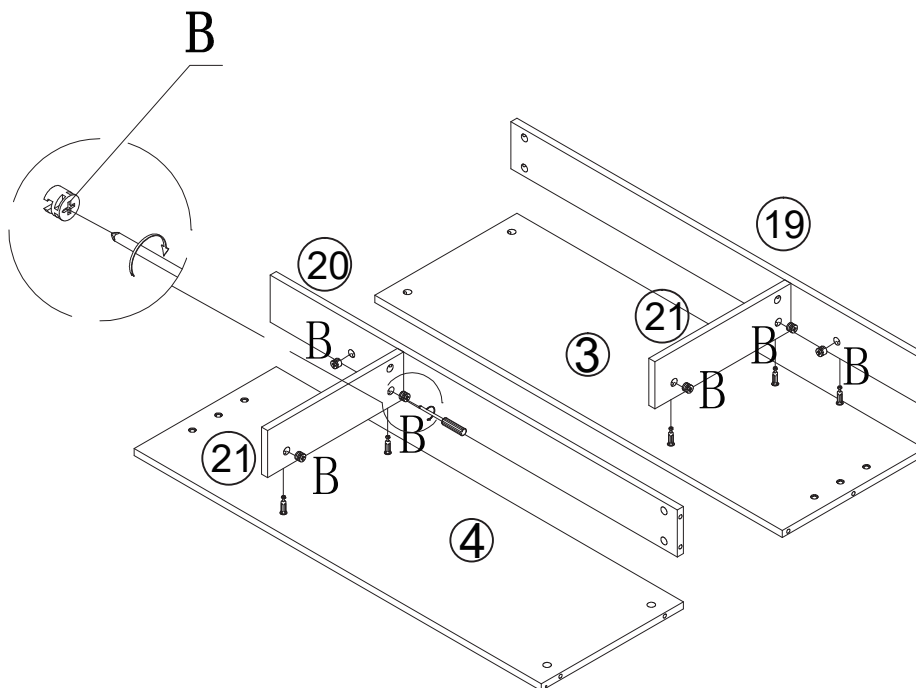


Use 1 B to connect ①⑨ and ②①, and use 1 B to connect ②① and ②①.



B x 2PCS

4.



Use B to connect ③ with ①⑨ and ②①. In the same way, use B to connect ④ with ②① and ②①.

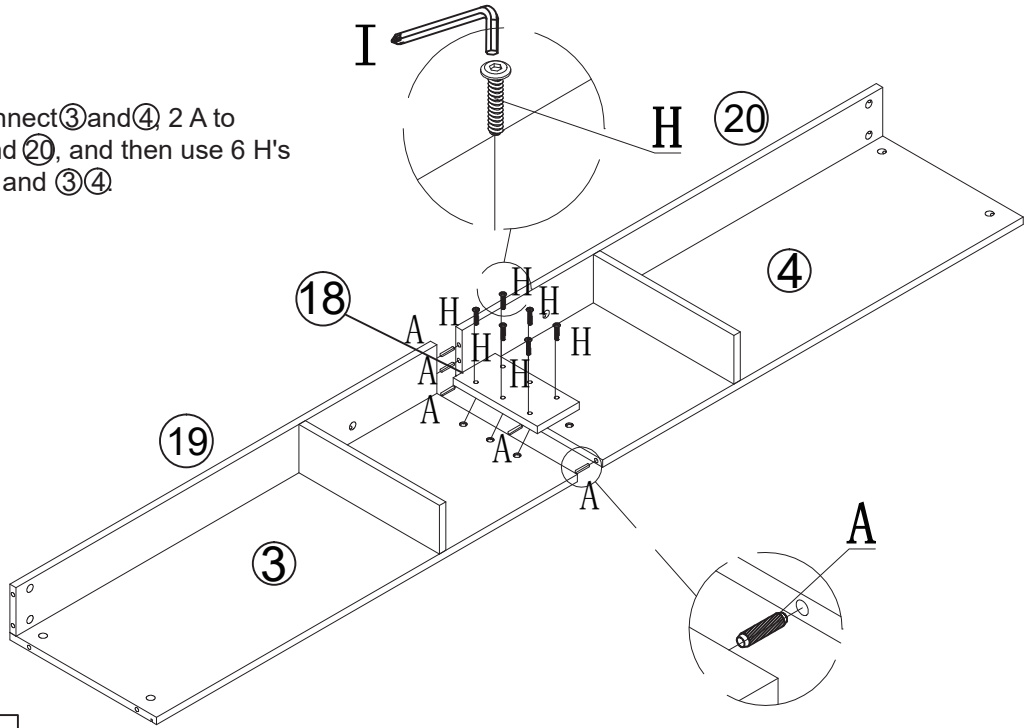


B x 6PCS

Installation steps

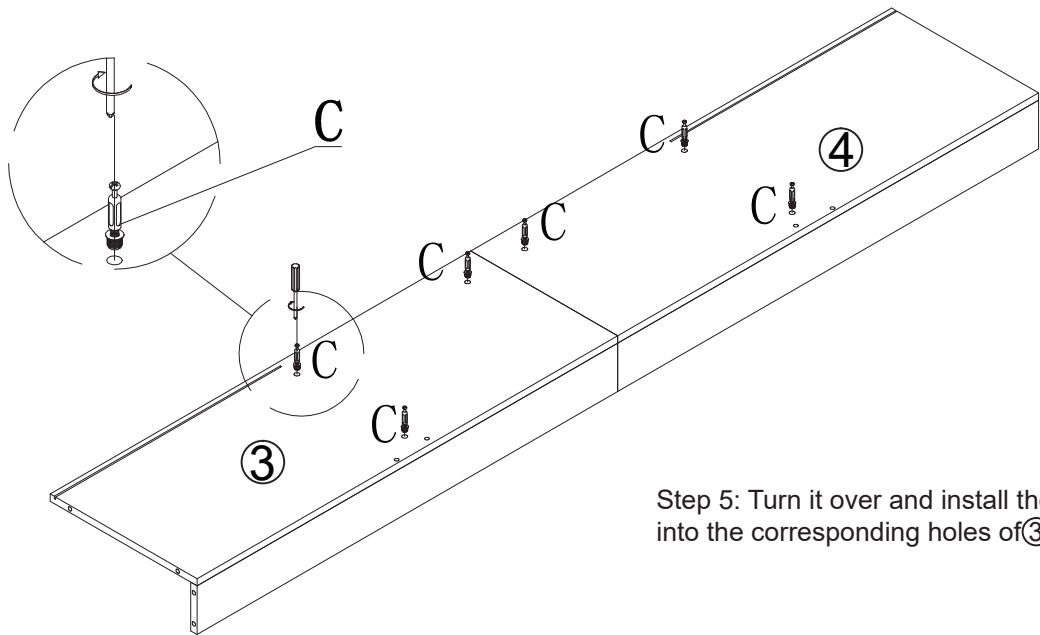
5.

Use 3 A to connect ③ and ④. 2 A to connect ①⑨ and ②⑩, and then use 6 H's to connect ①⑧ and ③④.




	A x 5PCS
	H x 6PCS

6.

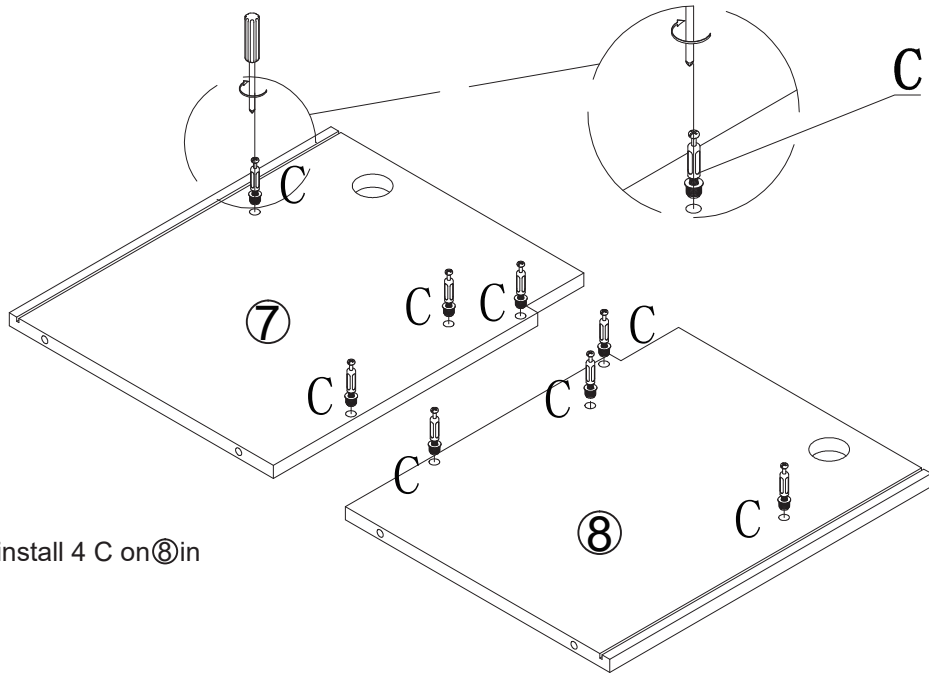


Step 5: Turn it over and install the 6 C into the corresponding holes of ③ and ④.

	C x 6PCS
---	----------

Installation steps

7.

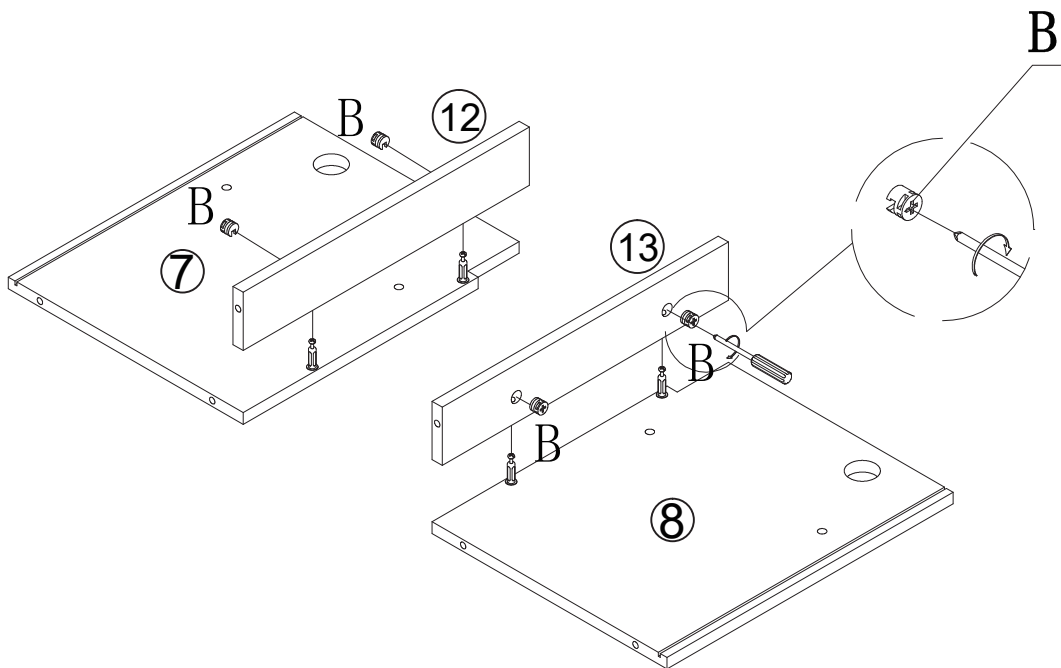


Install 4 C on ⑦ and install 4 C on ⑧ in the same way.



C x 8PCS

8.

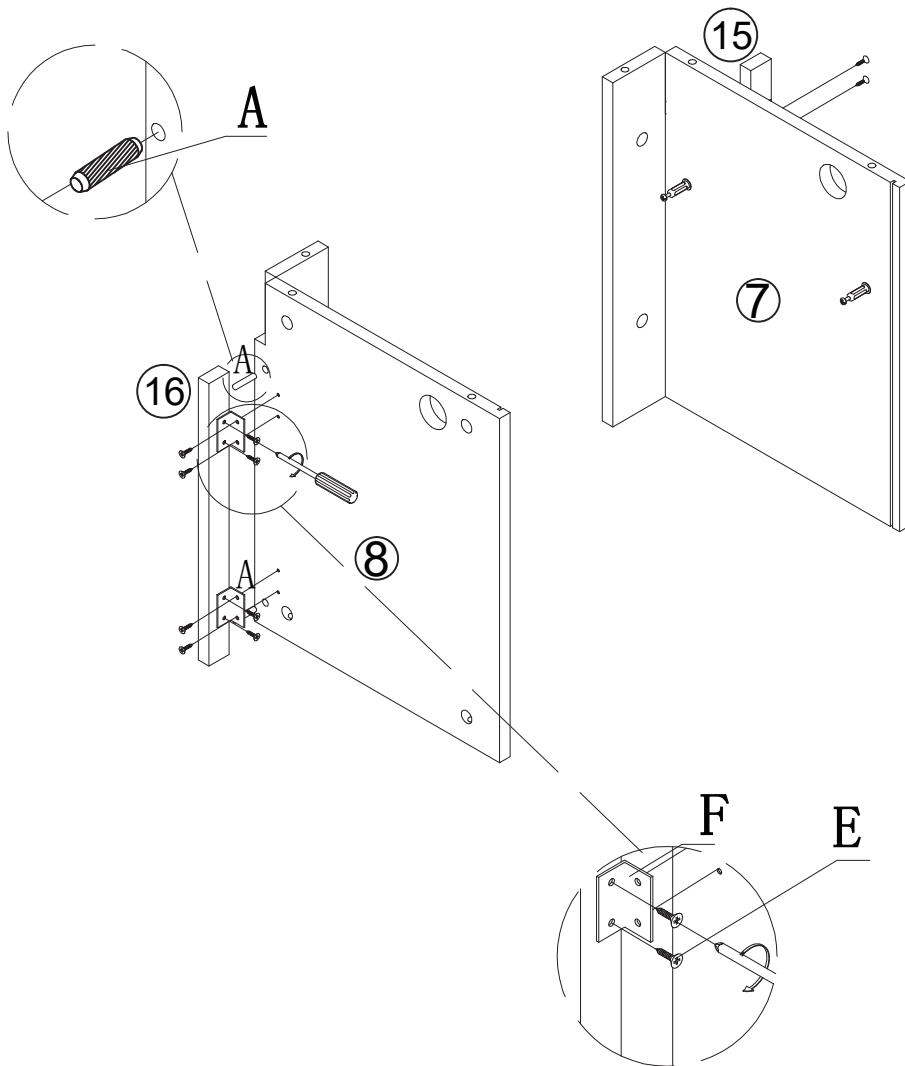





B x 4PCS

Installation steps

9.

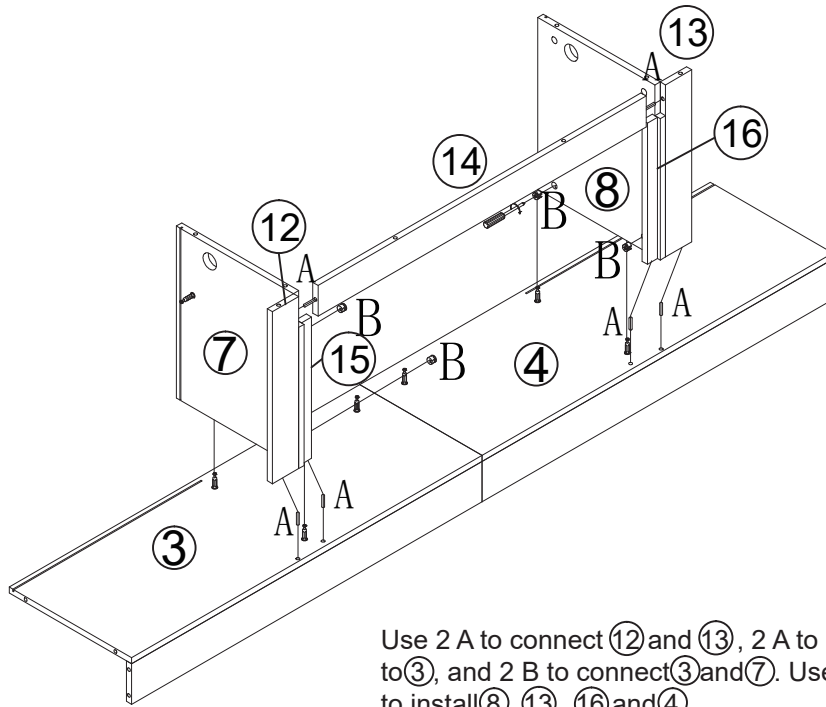
Use 2 A's to connect ⑧ and ⑬, and use E and F to reinforce ⑧ and ⑬. Connect ⑦ and ⑮ in the same way.



	A x 4PCS
	E x 16PCS
	F x 4PCS

Installation steps

10.



Use 2 A to connect ⑫ and ⑬, 2 A to connect ⑫ and ⑮ to ③, and 2 B to connect ③ and ⑦. Use the same method to install ⑧, ⑬, ⑯ and ④.

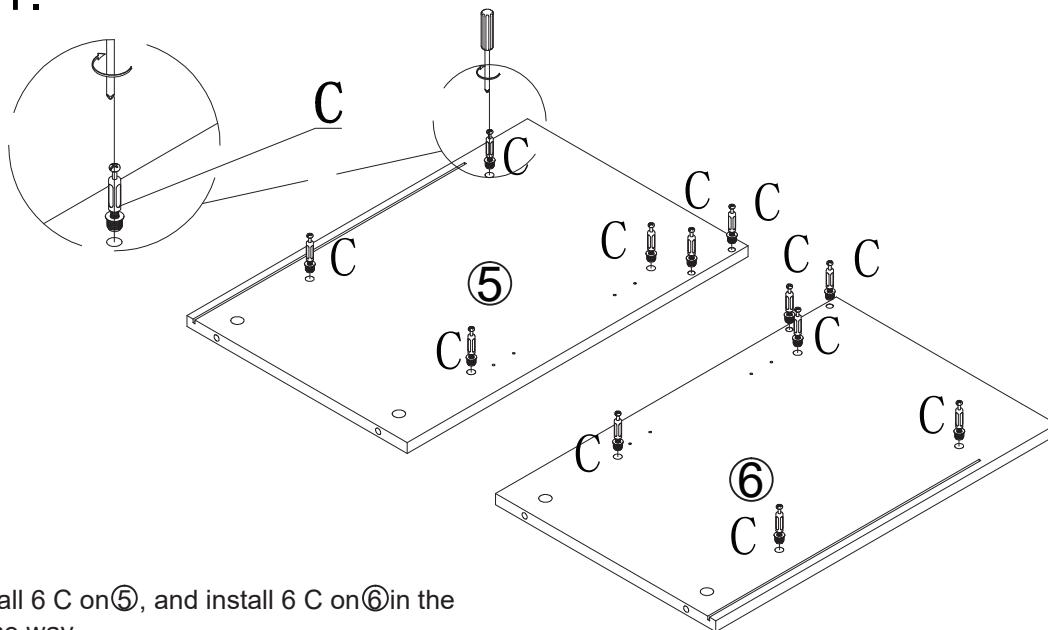


A x 6PCS



B x 4PCS

11.



Install 6 C on ⑤, and install 6 C on ⑥ in the same way.

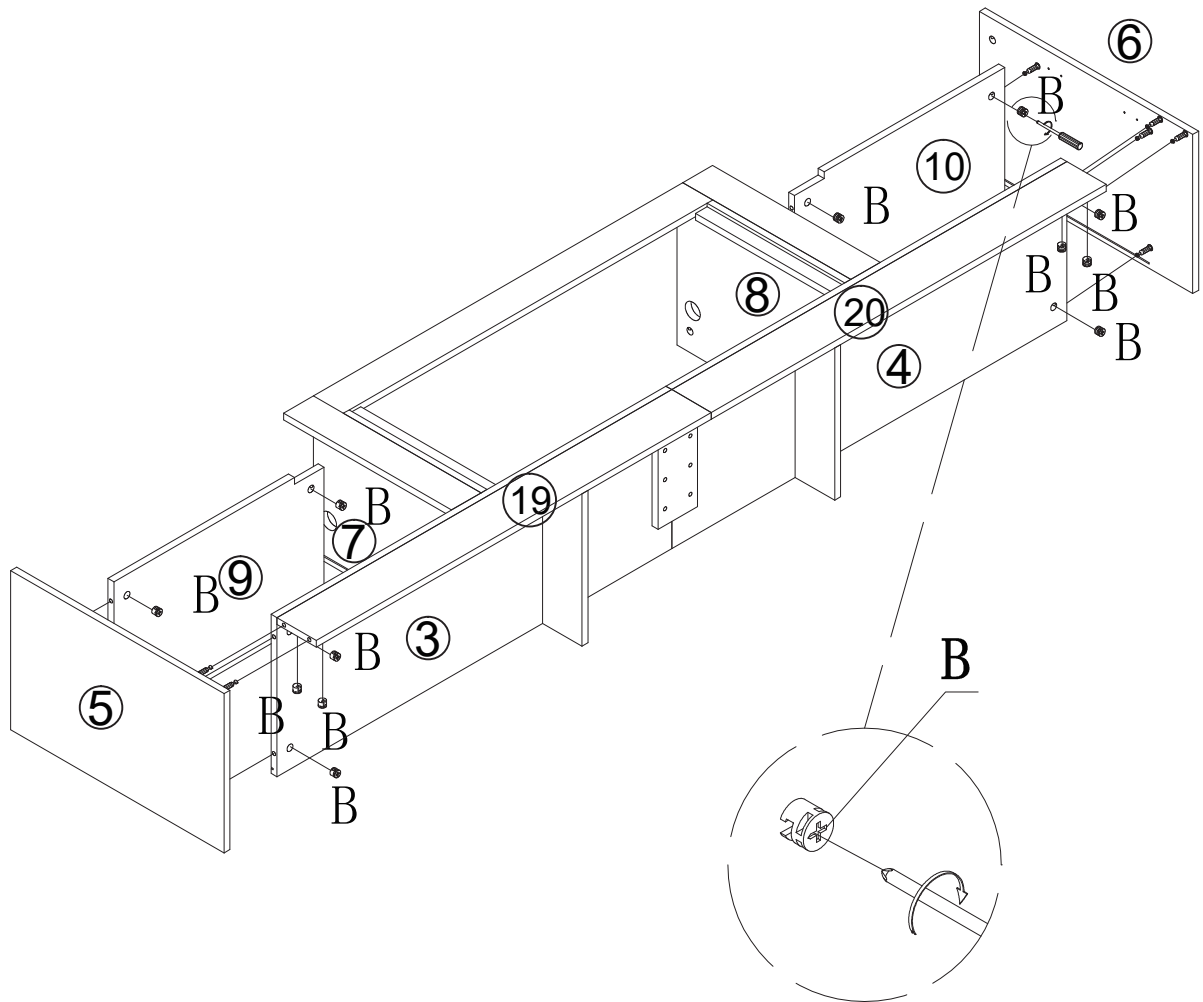


C x 12PCS

Installation steps

12.

- First, match the hole ⑨ to the hardware C of ⑦.
- Then match the hardware C of ⑤ to the holes of ③, ⑨ and ⑱, and then use the hardware B to connect ⑦ to ⑨, and ⑤ to ③, ⑨, and ⑱.
- Use the same method to connect ⑧ with ⑩, and ⑥ with ④, ⑩ and ⑳.

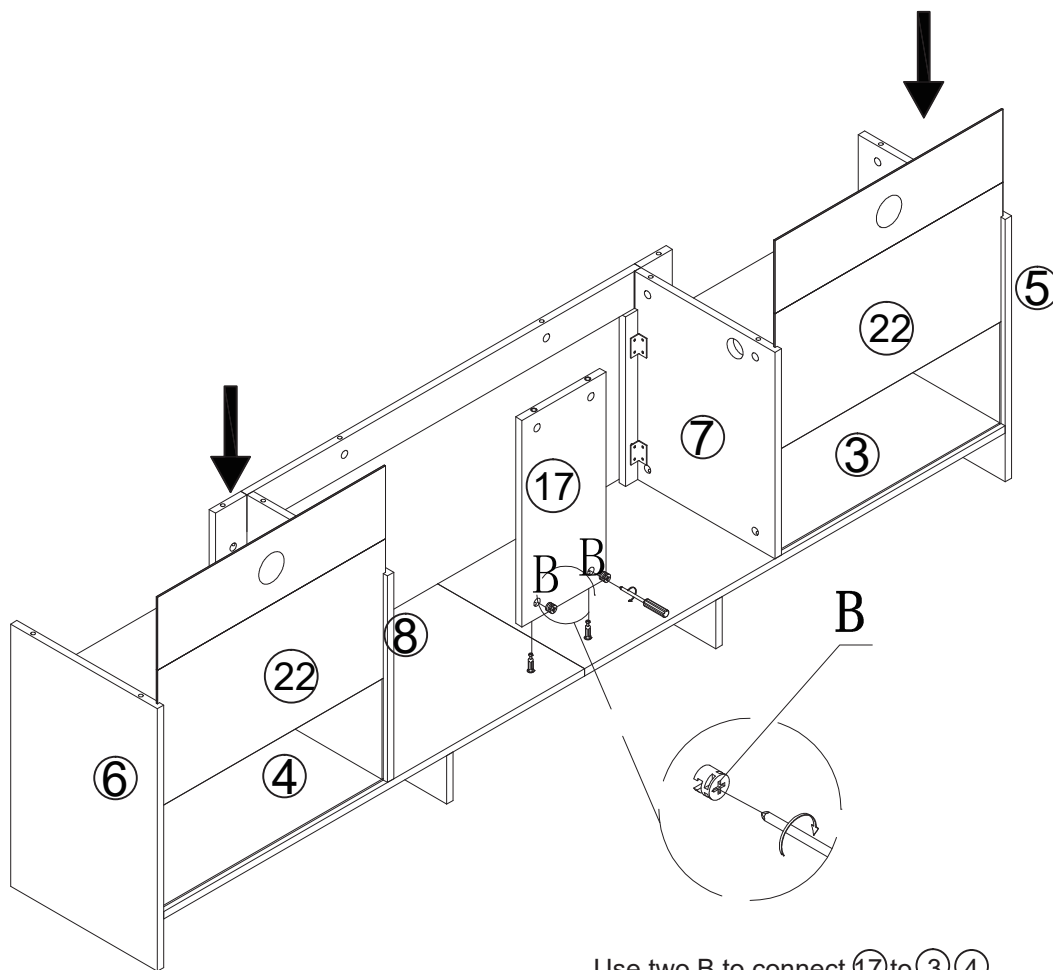


B x 16PCS

Installation steps

13.

Push ②② along the slot to the bottom, and note that it needs to be inserted into the slots of ③ and ④ when it reaches the bottom.
Note: The end of ②② with the round hole faces upwards.



Use two B to connect ①⑦ to ③ ④.

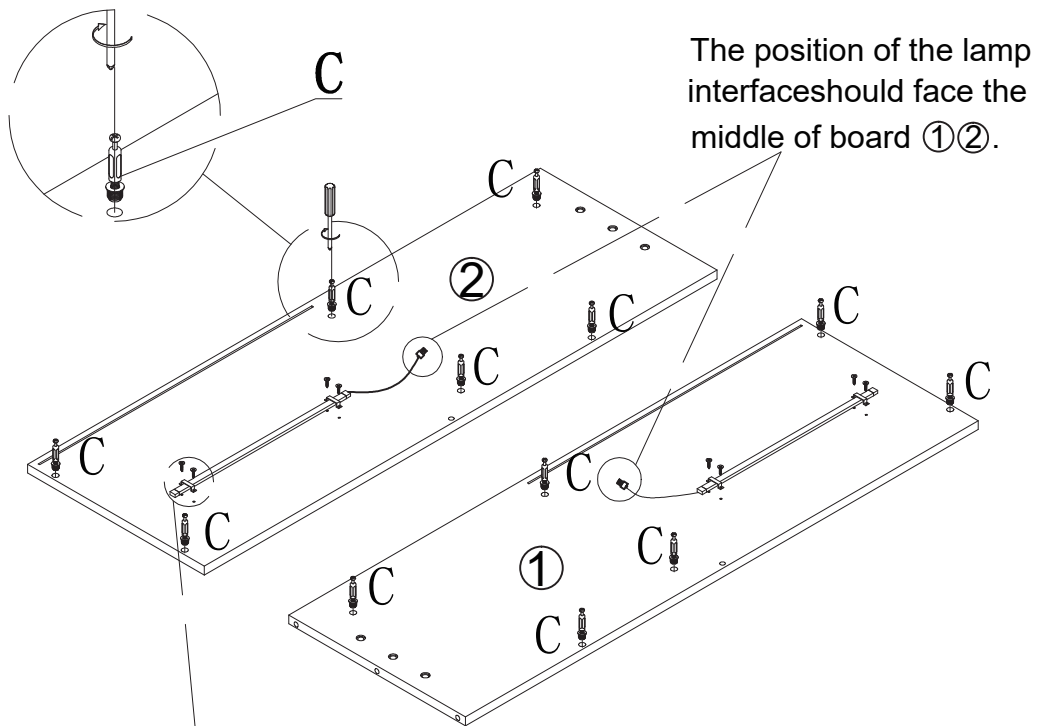


B x 2PCS

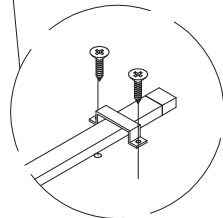
Installation steps

14.

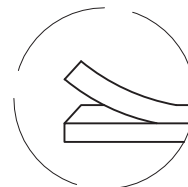
Attention: The Fireplace and TV stand come in two pack-ages.
May deliver on different days.







Attention: The LED light strip comes with fireplace in other package. Please install the light strip after receive all the two packages. Thanks.



Use the buckle to clamp the light strip and tighten the screws.



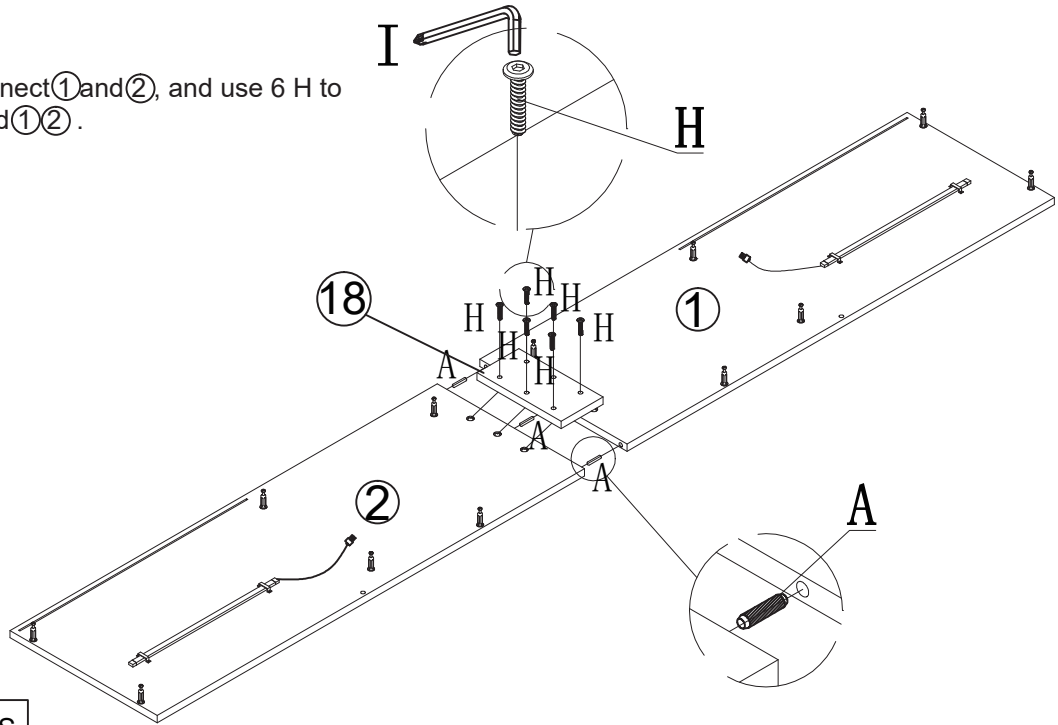
Tear off the double-sided tape of the light strip and stick it on the board.



	C x12PCS		4PCS
	8PCS		2PCS

Installation steps

15.

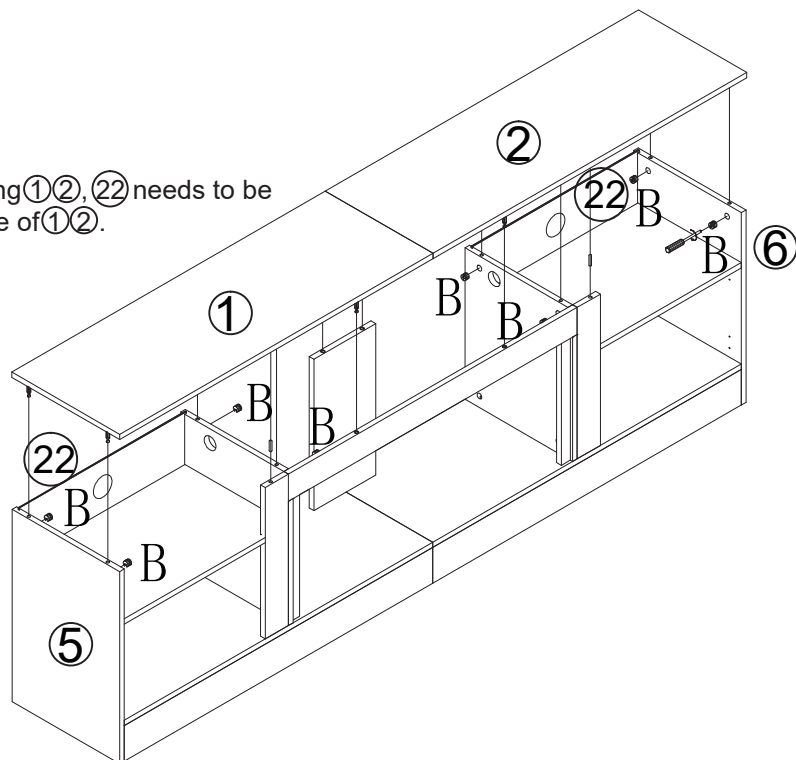
Use 3 A to connect ① and ②, and use 6 H to connect ⑱ and ①②.




	A x 5PCS
	H x 6PCS

16.

Note that when installing ①②, ⑳ needs to be inserted into the groove of ①②.

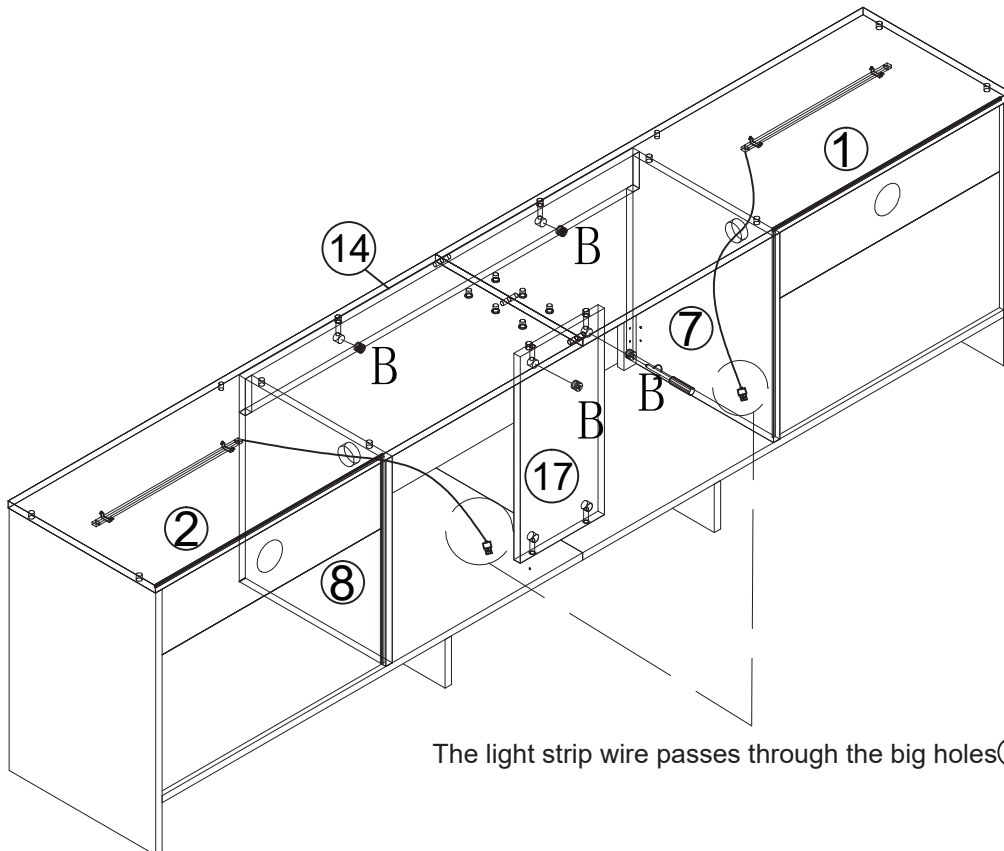


	B x 8PCS
---	----------

Installation steps

17.

Use 2 B to connect 14 and ①② , and use 2 B to connect ①⑦ and ①② .



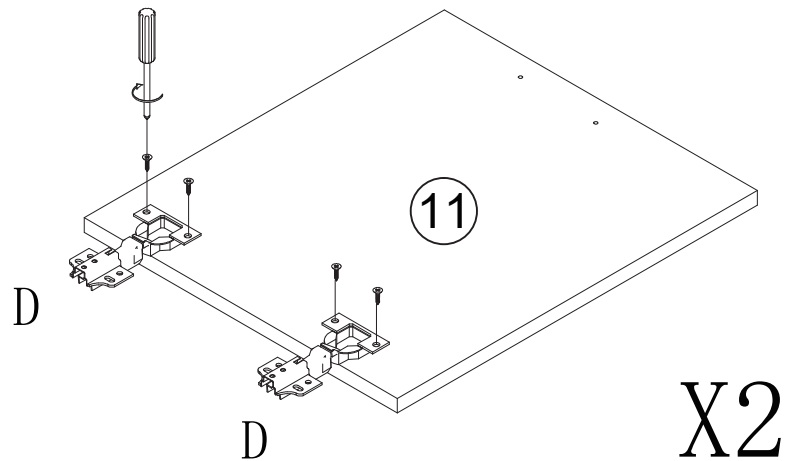
The light strip wire passes through the big holes ⑦⑧.



B x 4PCS

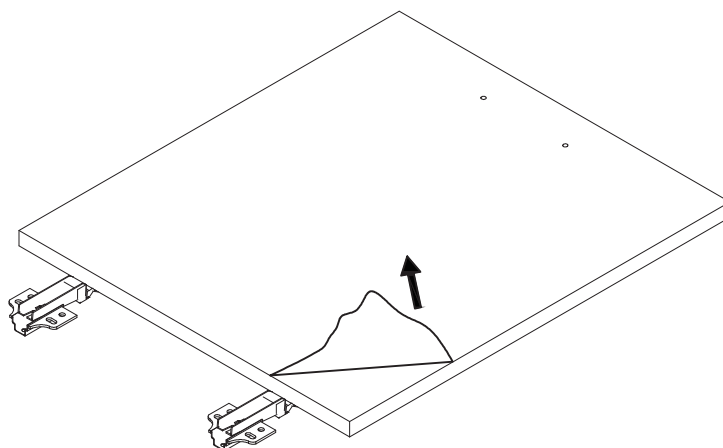
Installation steps

18.



D x 2PCS

19.

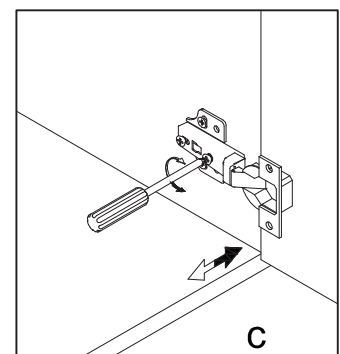
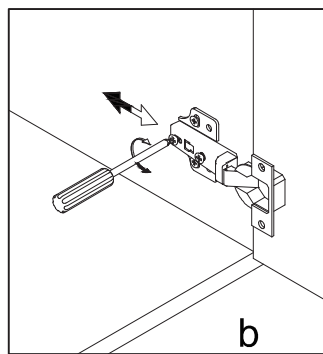
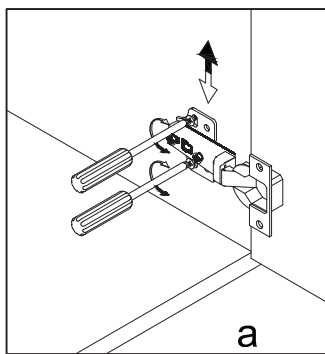
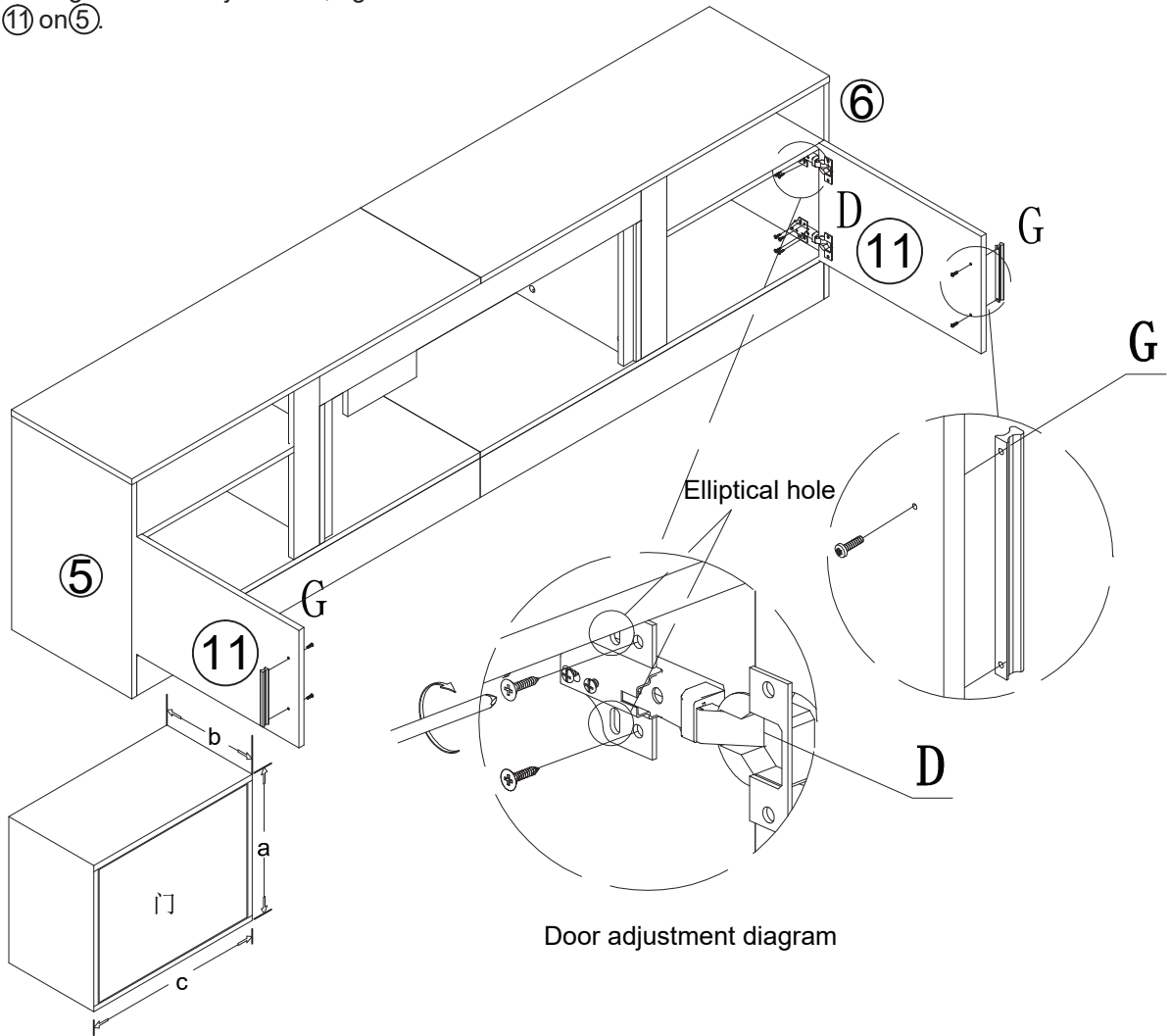


After installing D, tear off the film on the front of the door panel. If there are any residual traces, just wipe it with a wet towel after the cabinet is installed.

Installation steps

20.

When installing ⑪ to ⑥, first install the 4 screws of the oval holes of D (corresponding to the four small holes of ⑥), close ⑪, and see if the position of ⑪ is appropriate. If not, adjust the position of ⑪ as shown in the figure. After adjustment, tighten the screws of the 4 round holes of D. Use the same method to install ⑪ on ⑤.



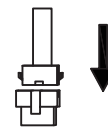
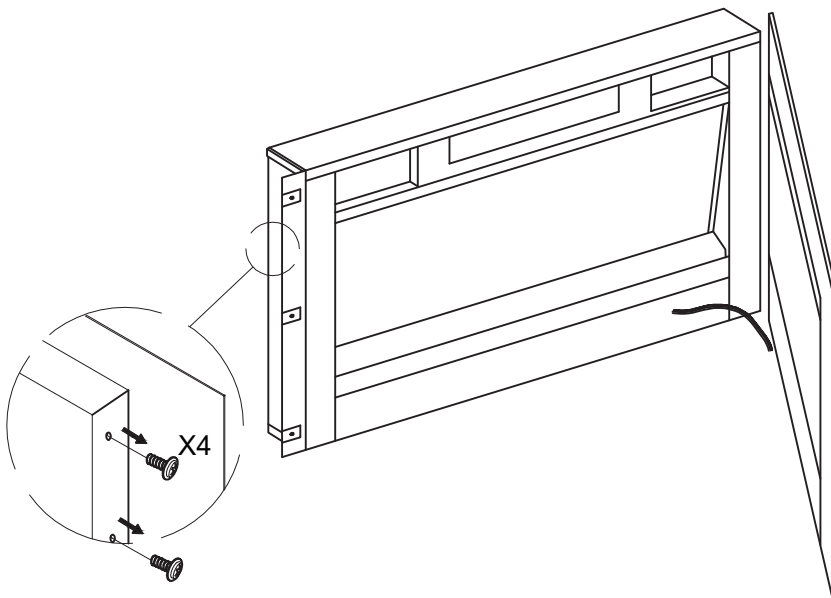
D x 2PCS



G x 2PCS

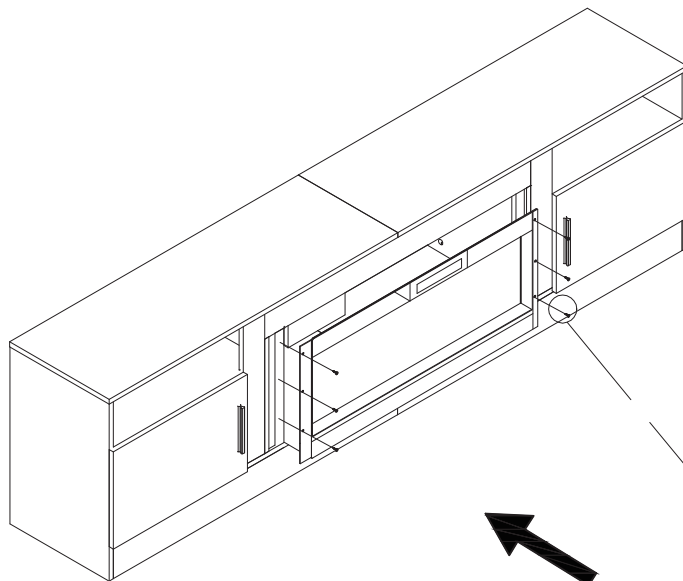
Installation steps

- 21.
- Remove the fixed screw in the side plate
 - Lift the glass frame 1-2 cm vertically. Then the entire glass frame can be removed from the front.
 - Take the glass frame 10-20 cm away from the appliance, pull out the data cable connector with the help of others or put the glass panel down on the ground before complete separation.

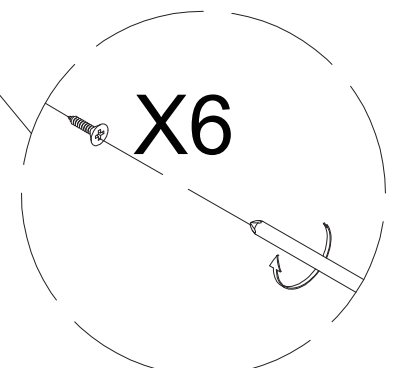


Press this button
and pull out the
data cable connector

22.



Fix the fireplace on the TV cabinet according to the hole position of the fireplace.
Fix the appliance to the TV stand with 6 black screws according to the hole position.



Installation steps

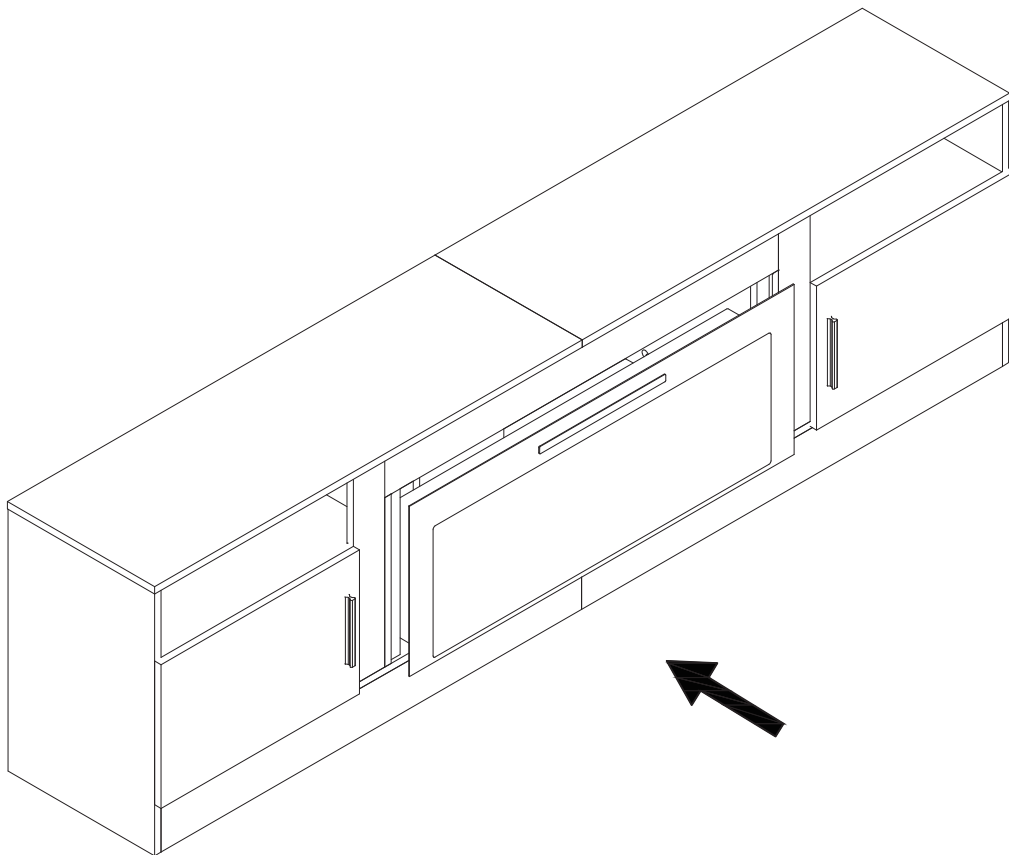
23.

-Carefully place crystal (together with the appliance) or other decoration into the bottom tray on the front of the appliance.

NOTE: Media bed kits may have sharp edges, need to wear goggles and gloves when handling.

-Connect the data cable connector before hanging the glass frame on the appliance.

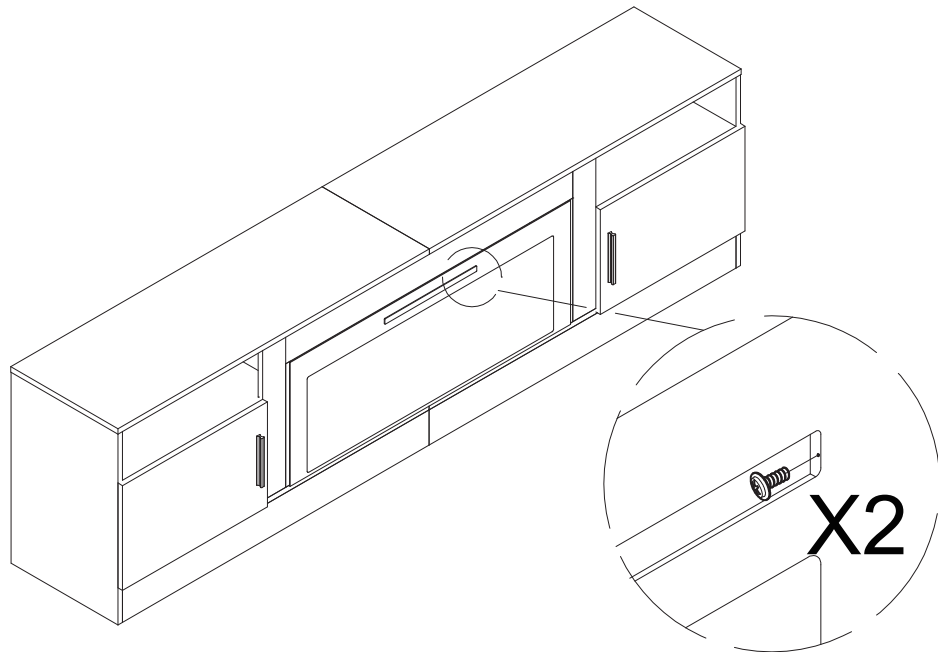
-Gently push on the glass panel by aligning the 4 hooks until it snaps into position (sinks down 1-2 cm)



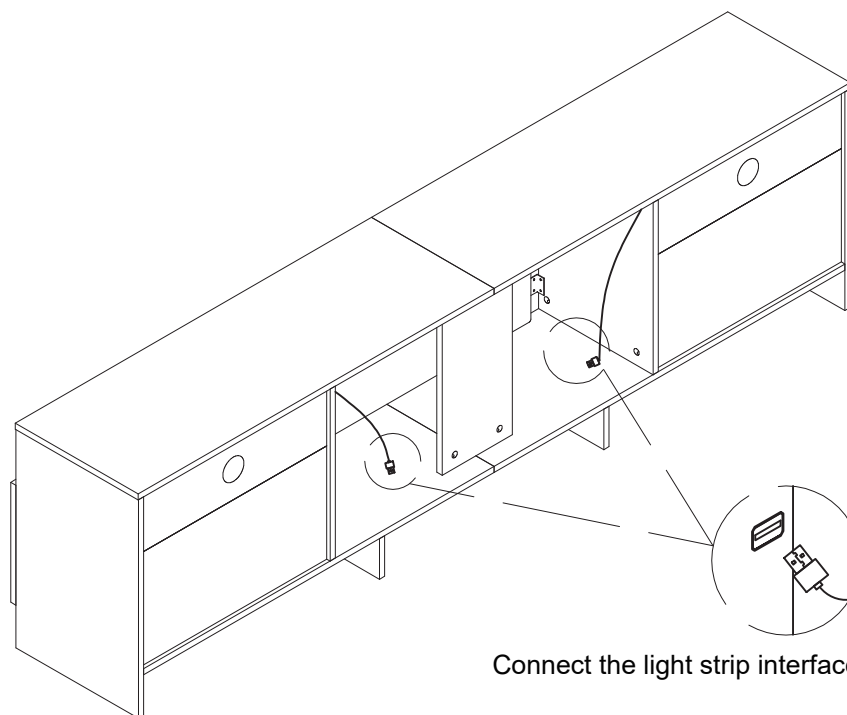
Installation steps

24.

- Put the M4 X 12 screws into the holes on the glass panel.



25.



Connect the light strip interface to the fireplace.

Done

