

# ASSEMBLY INSTRUCTION

Thank you for purchasing this quality product. Be sure to check all packing material carefully for small parts which may have come loose inside the carton during shipment. Separate, identify and count all parts and hardware. Compare with the parts list to be sure all parts are present.

**IMPORTANT : PLEASE READ INSTRUCTION BEFORE STARTING THE ASSEMBLY.**

**"DO NOT TIGHTEN SCREWS UNTIL COMPLETELY ASSEMBLED"**

**"DO NOT OVERTIGHT ANY HARDWARE"**

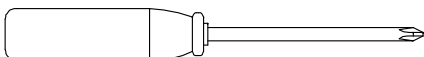
**WARNING : SMALL PARTS AND HARDWARE NOT FOR CHILDREN UNDER 3 YEARS. ADULT ASSEMBLY REQUIRED.**

## TABLE OF CONTENTS

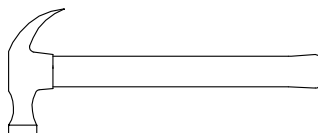
HARDWARES LIST	PAGE 2 - 3
PARTS LIST	PAGE 4 - 5
PARTS' LOCATION	PAGE 6
ASSEMBLY STEPS	PAGE 7 - 20
ASSEMBLY COMPLETED	PAGE 20
ANTI-TIPPING INSTALLMENT INSTRUCTIONS	PAGE 21
PAY ATTENTION ITEMS	PAGE 22

## ASSEMBLY TOOLS REQUIRED

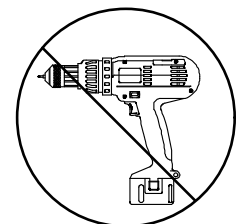
### 1. Screwdriver (not provide)



### 2. Hammer (not provide)


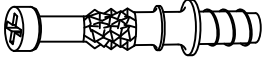


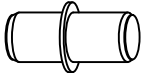
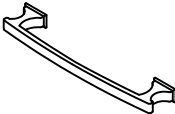
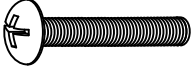

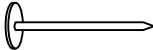


Skip the power trip this time.



# ASSEMBLY INSTRUCTION

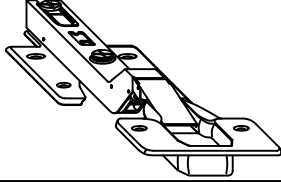

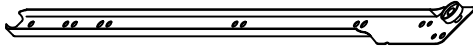
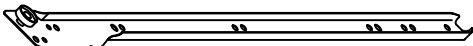

## HARDWARES LIST

ITEM	DESCRIPTION	DRAWING	QTY
A	MINIFIX CAM LOCK		34 PCS
B	MINIFIX CAM BOLT		34 PCS
C	WOOD DOWEL (M8 x 25MM)		16 PCS
D	WOOD DOWEL (M6 x 25MM)		24 PCS
E	SHELF SUPPORT (M5 x 16mm)		8 PCS
F	HANDLE		5 PCS
G	TRUSS M-SCREW (28MM)		10 PCS
H	PLASTIC STRIP (H SHAPE)		1 PC
I	6/8" NAIL		26 PCS

MORE HARDWARES DETAIL IN NEXT PAGE...

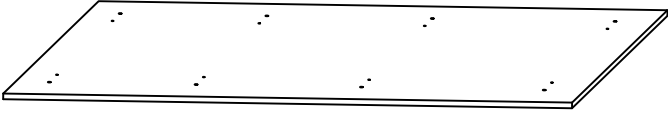

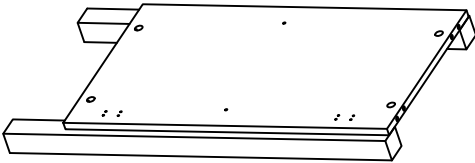

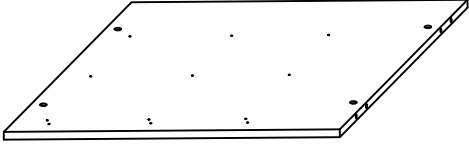
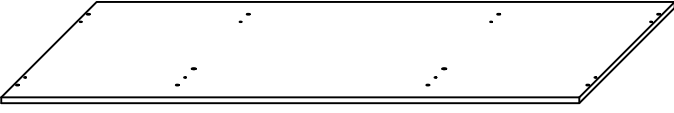
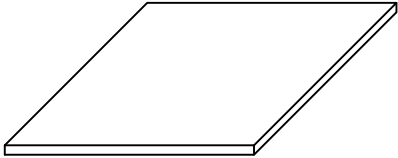

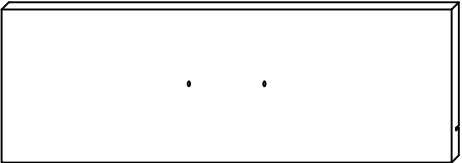
# ASSEMBLY INSTRUCTION

## HARDWARES LIST

ITEM	DESCRIPTION	DRAWING	QTY
J	SOFT-CLOSE HINGES		4 PCS
K	CSK C/B SCREW (M4 x 16MM)		24 PCS
M	LEFT DRAWER SLIDE		3 PCS
N	RIGHT DRAWER SLIDE		3 PCS
O	CSK SCREW M3 x 10mm		24 PCS

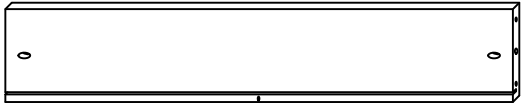

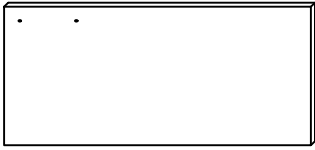

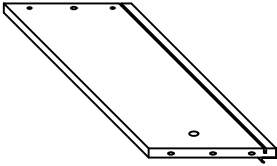
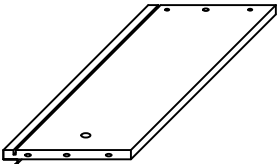
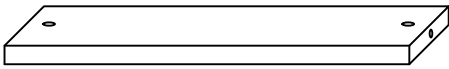
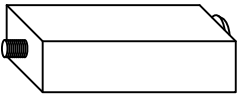
# ASSEMBLY INSTRUCTION

## PARTS LIST

ITEM	DESCRIPTION	DRAWING	QTY
1	TOP PANEL		1 PC
2	LEFT PANEL		1 PC
3	RIGHT PANEL		1 PC
4	CENTRE PANEL - LEFT		1 PC
5	CENTRE PANEL - RIGHT		1 PC
6	BOTTOM PANEL		1 PC
8	COMPARTMENT PANEL		2 PCS
9	BACK PANEL		2 PCS
10	DRAWER HEAD		3 PCS

# ASSEMBLY INSTRUCTION

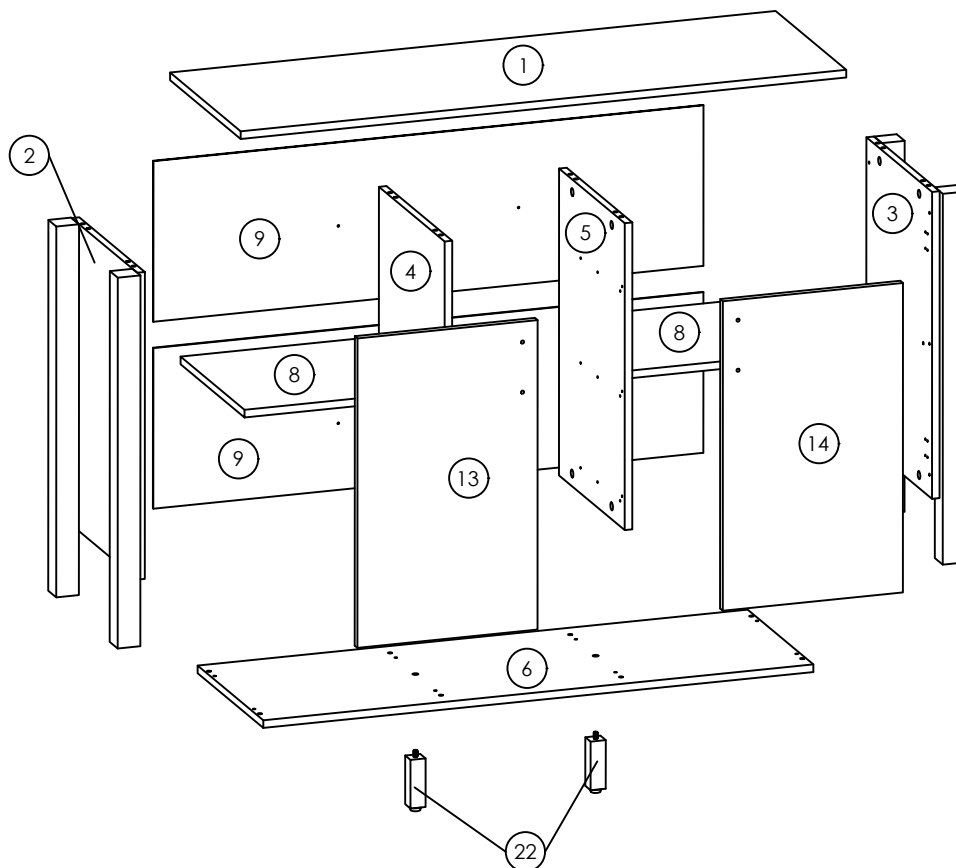
## PARTS LIST

ITEM	DESCRIPTION	DRAWING	QTY
11	DRAWER BACK PANEL		3 PCS
12	DRAWER BOTTOM PANEL		3 PCS
13	DOOR LEFT		1 PC
14	DOOR RIGHT		1 PC
19	DRAWER LEFT PANEL		3 PCS
20	DRAWER RIGHT PANEL		3 PCS
21	DRAWER BOTTOM SUPPORT RAIL		3 PCS
22	CENTRE SUPPORT LEG		2 PCS

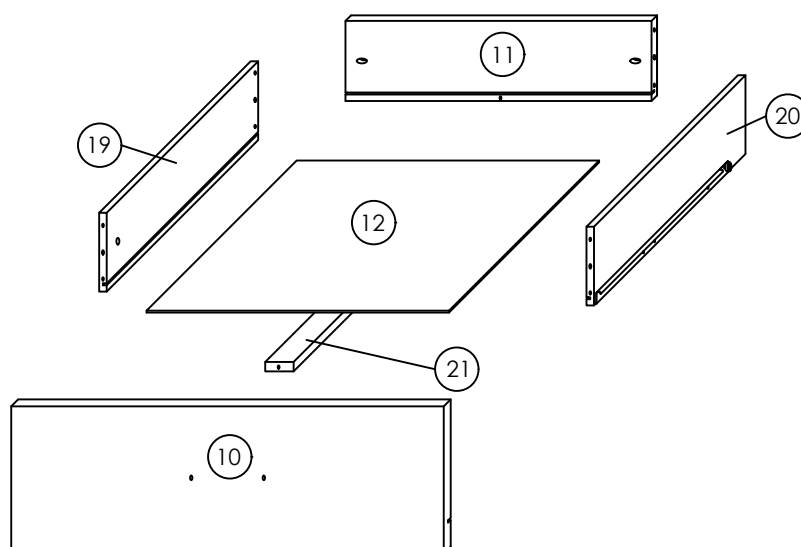
# ASSEMBLY INSTRUCTION

## PARTS ' LOCATION

### SIDE BOARD x 1 PC



### DRAWER x 3 PCS

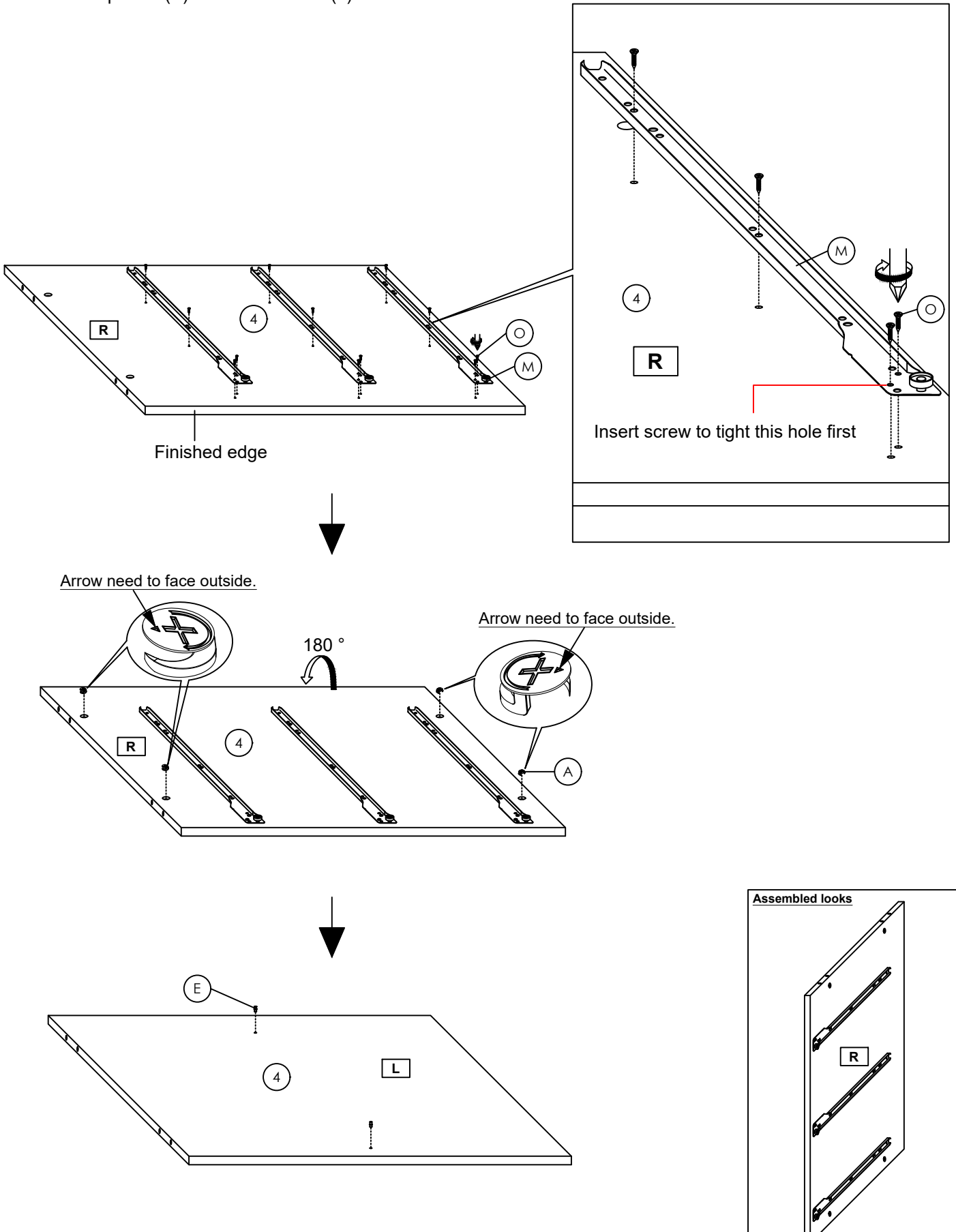


# ASSEMBLY INSTRUCTION

## ASSEMBLY STEPS

### STEP 1

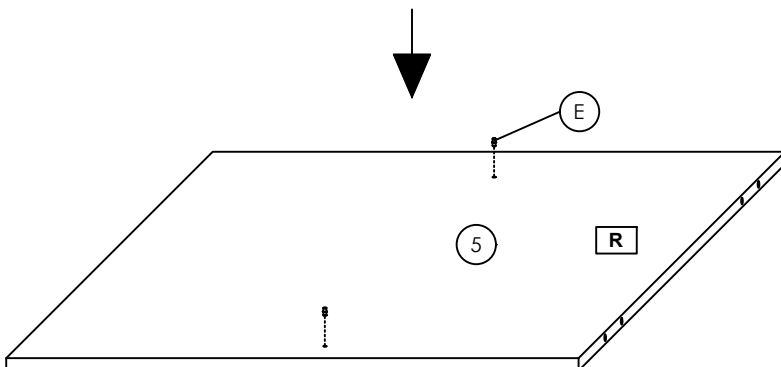
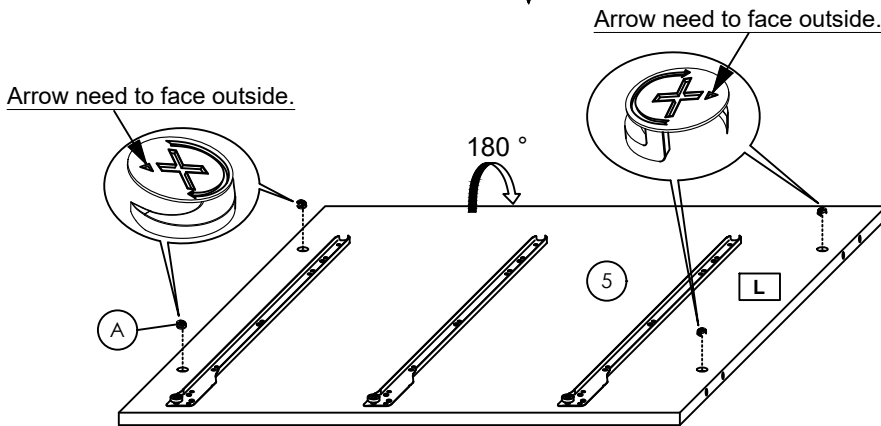
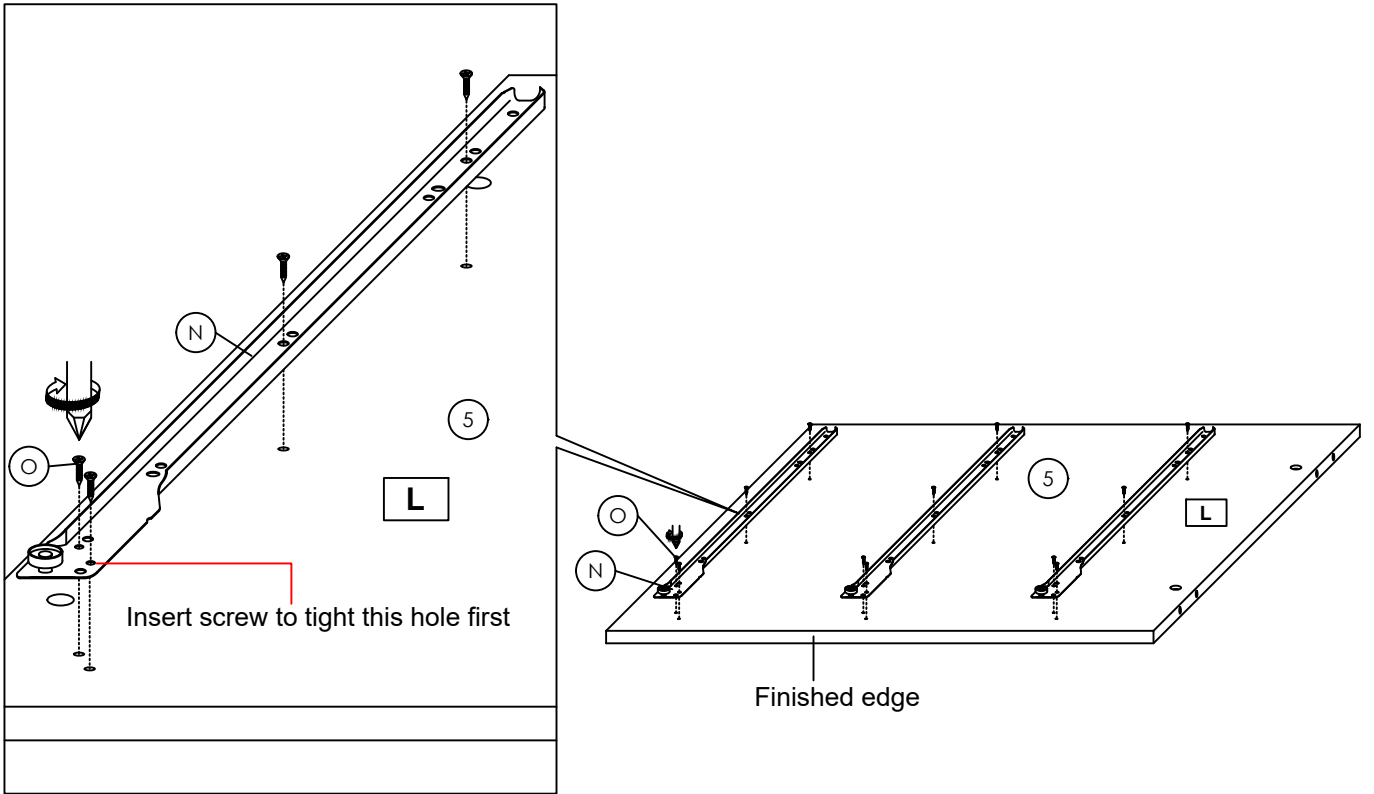
Fix the 3 pieces (M) to the right side of (4) by using 12 pieces (O), and insert 4 pieces (A) as shown. Then insert 2 pieces (E) to the left side of (4) as shown.



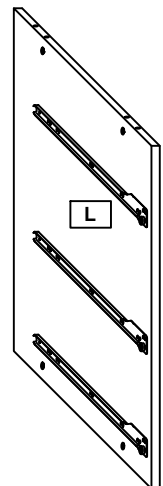
# ASSEMBLY INSTRUCTION

## STEP 2

Fix the 3 pieces (N) to the left side of (5) by using 12 pieces (O) ,and insert 4 pieces (A) as shown.  
Then insert 2 pieces (E) to the left side of (4) as shown.



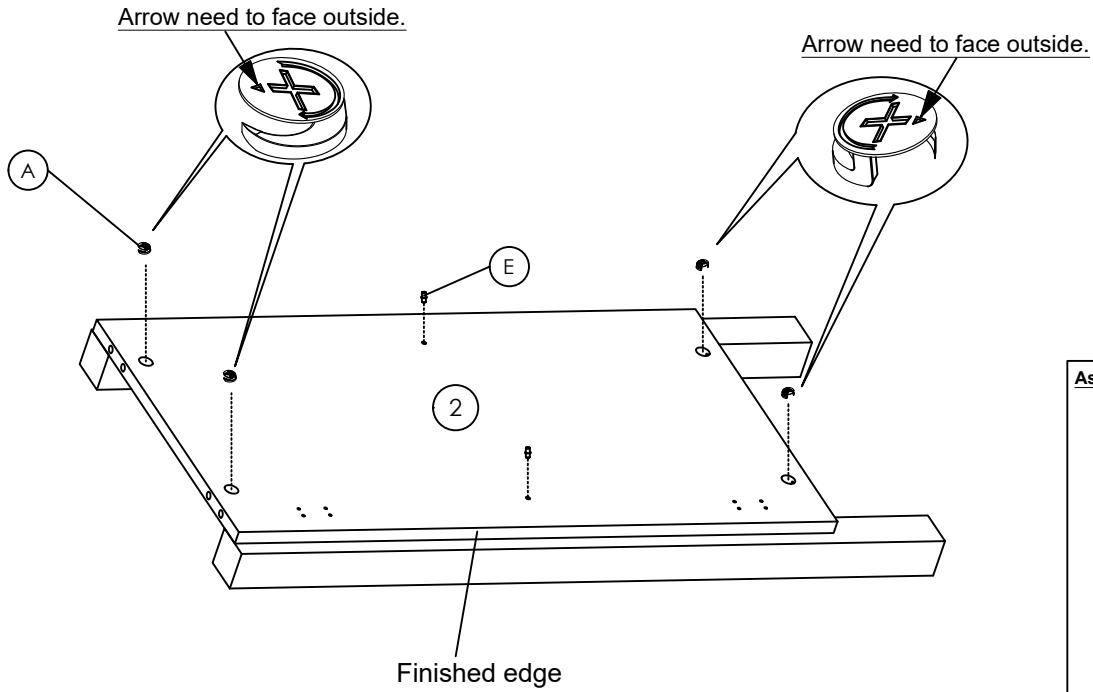
Assembled looks



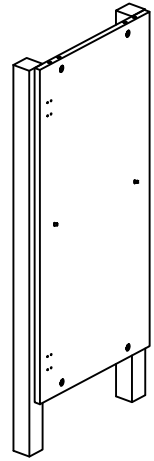
# ASSEMBLY INSTRUCTION

## STEP 3

Insert 4 pieces (A) and 2 pieces (E) to the (2) as shown.

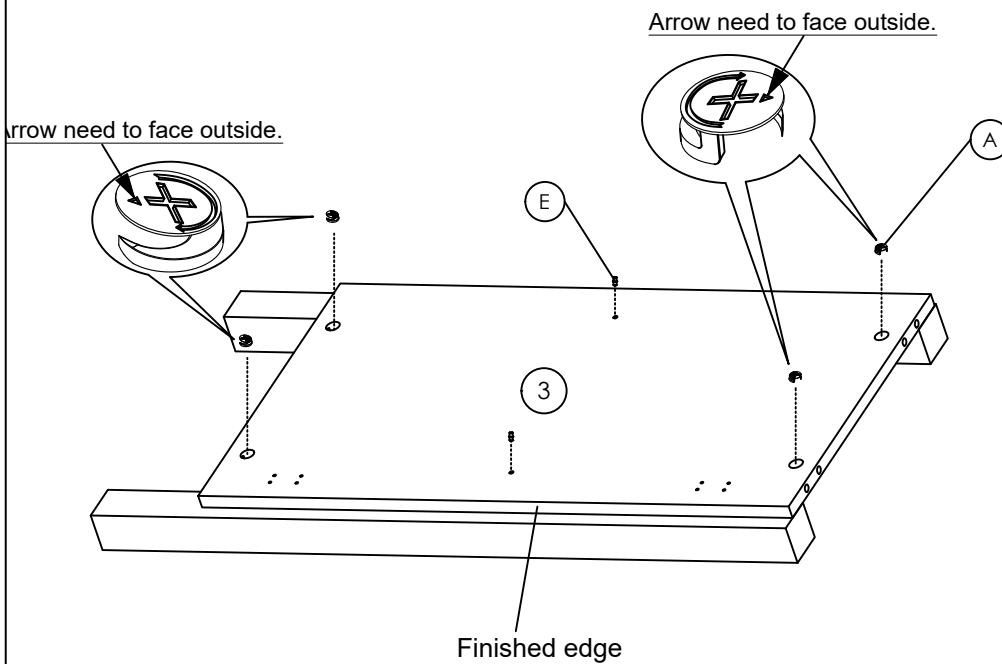


Assembled looks

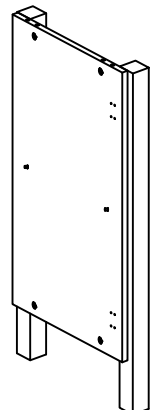


## STEP 4

Insert 4 pieces (A) and 2 pieces (E) to the (3) as shown.



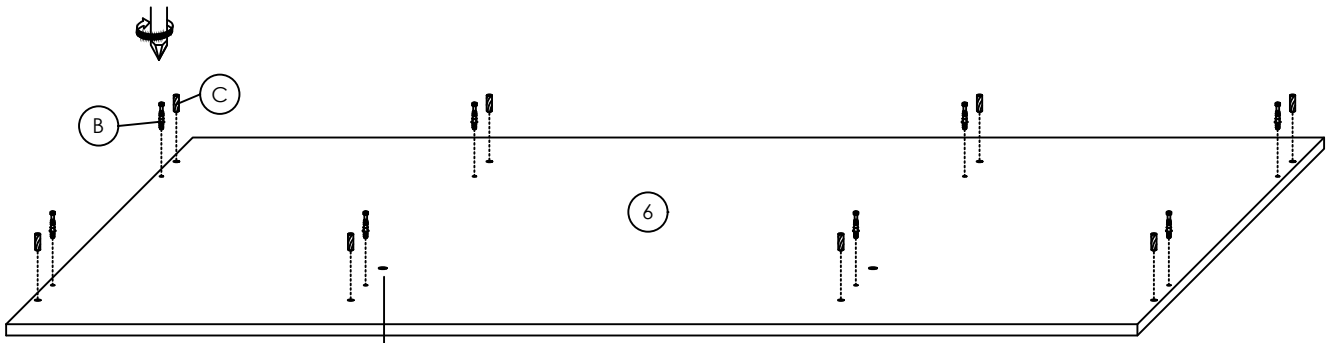
Assembled looks



# ASSEMBLY INSTRUCTION

## STEP 5

Insert 8 pieces (B) and (C) to the (6) as shown.



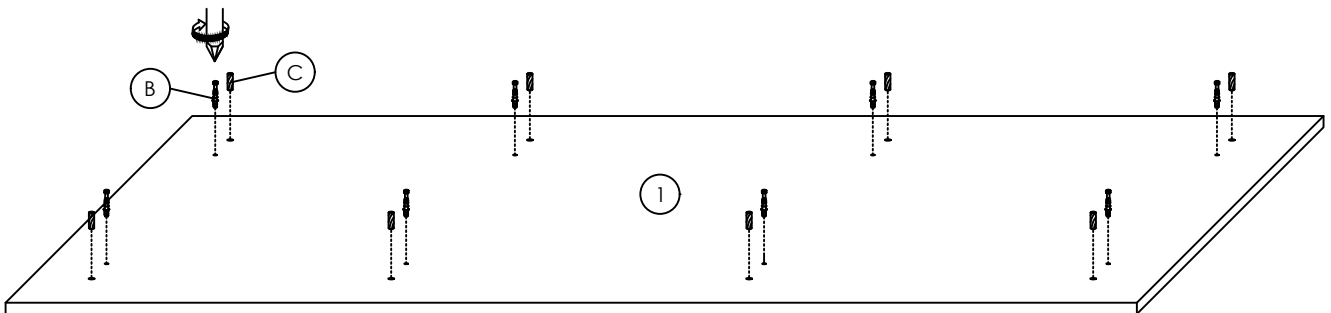
THIS SIDE CLOSER TO THE HOLE WITH NUT NEED TO FACE FRONT SIDE DURING ASSEMBLY .

Assembled looks



## STEP 6

Insert 8 pieces (B) and (C) to the (1) as shown.



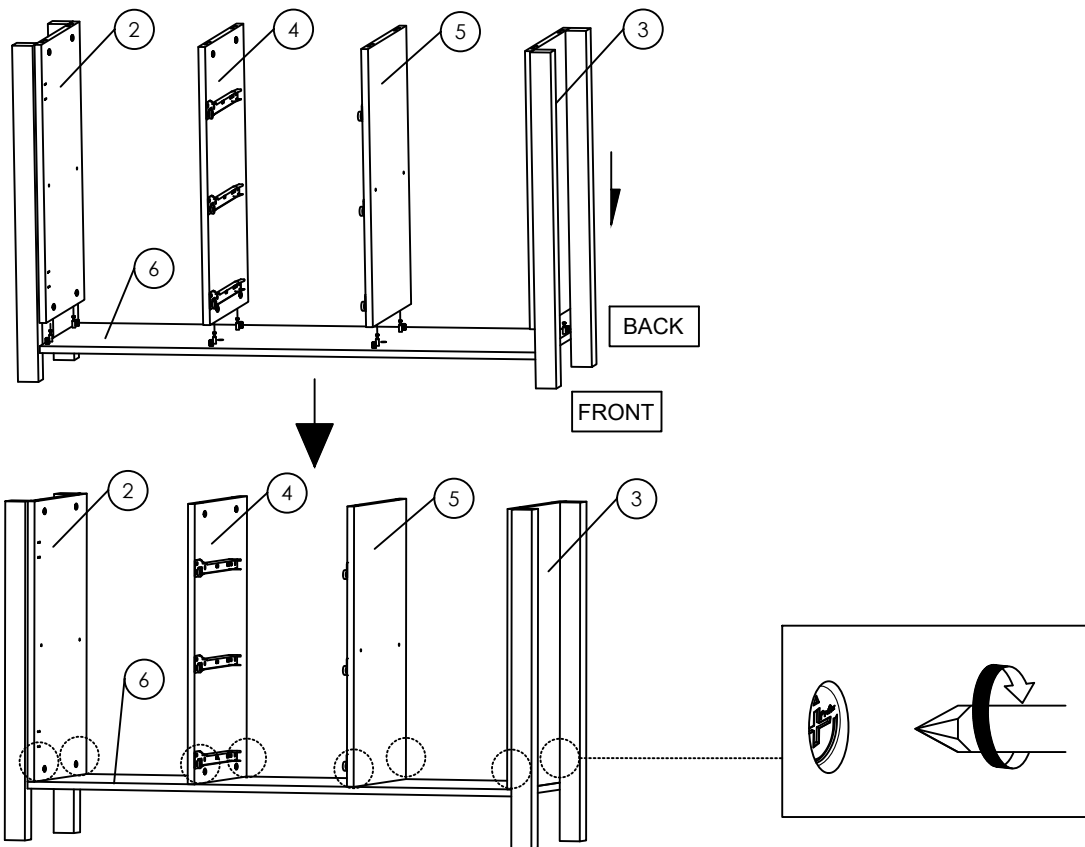
Assembled looks



# ASSEMBLY INSTRUCTION

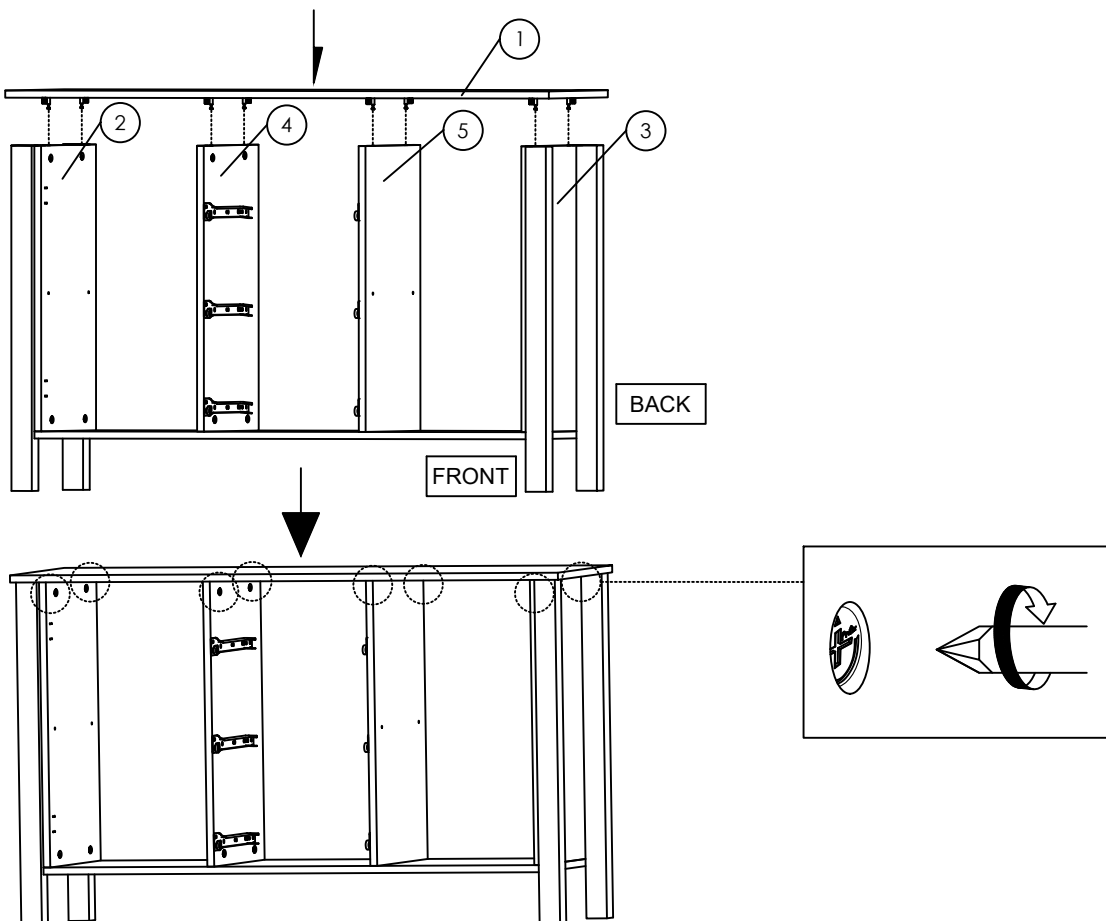
## STEP 7

Combine the (2),(3),(4),(5) to the (6) then tighten the 8 pieces (A)-(pre insert in step 1 to 4) as shown.



## STEP 8

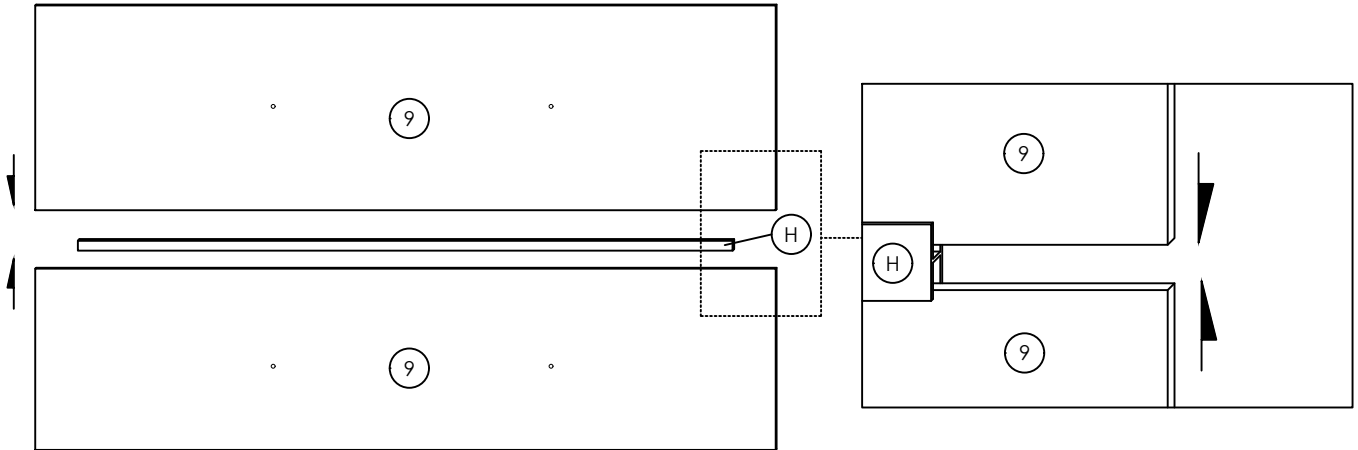
Combine the (1) to the (2),(3),(4),(5) then tighten the remaining 8 pieces (A)-(pre insert in step 1 to 4) as shown.



# ASSEMBLY INSTRUCTION

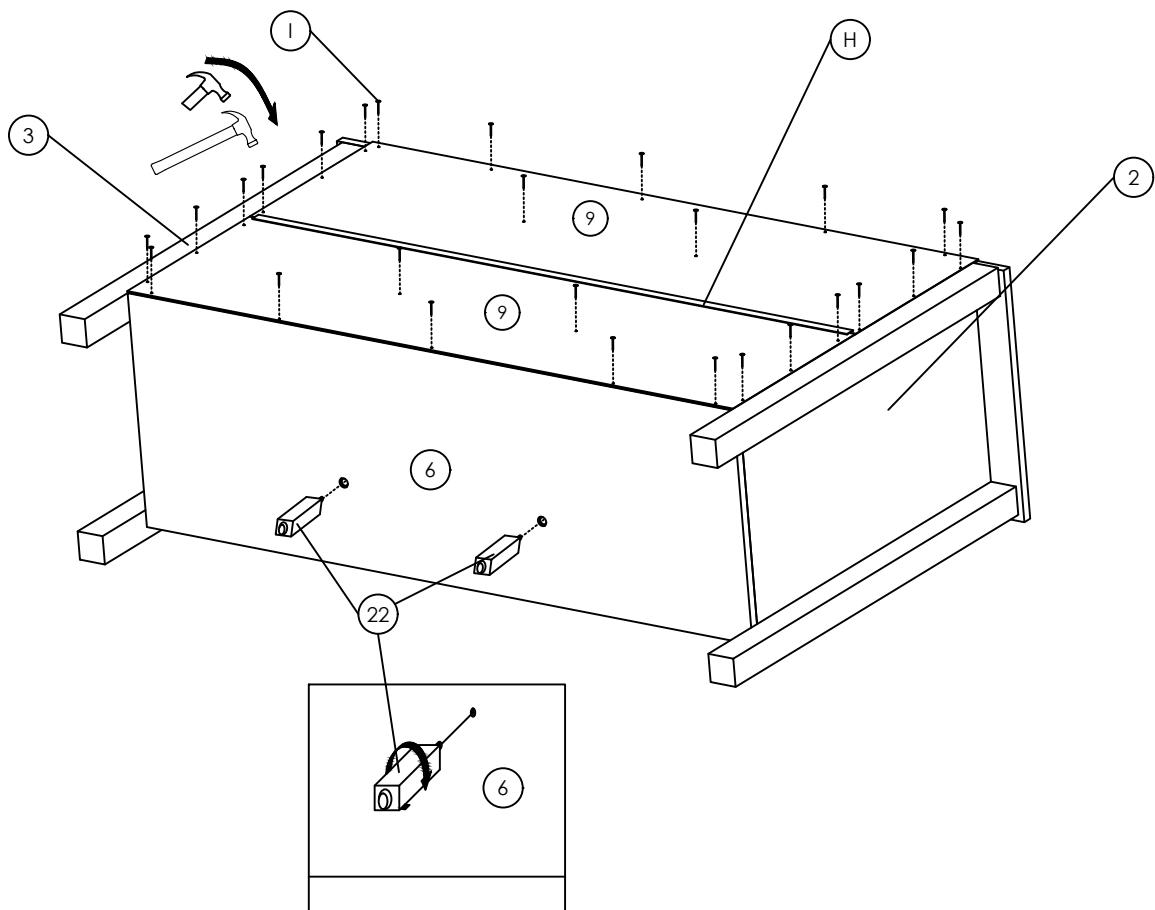
## STEP 9

Put the 2 pieces (9) to the gap of (H) as shown. Direction of the side with colored paper must be the same.



## STEP 10

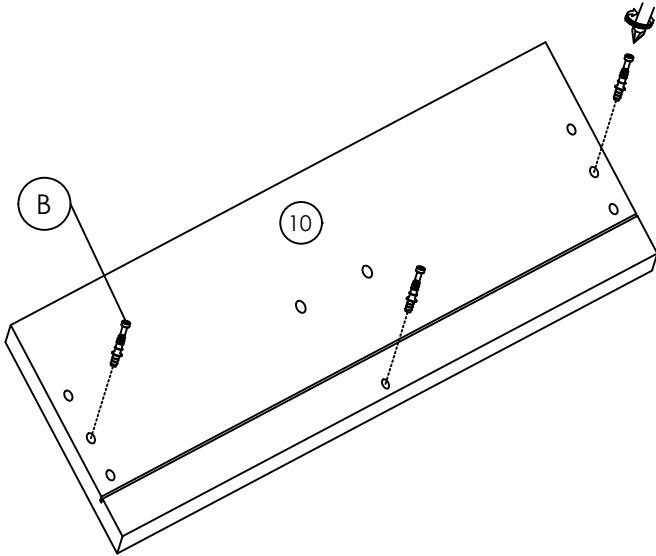
Insert the 26 pieces (1) to fix the 2 piece (9) as shown. Colored paper face to inside.  
To prevent blocking (2) and (3), make sure the (H) at the middle of 2 pieces (9), do not over left or right.  
Then, turn (22) clockwise to combine to the (6) as shown.



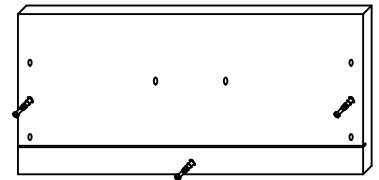
# ASSEMBLY INSTRUCTION

## STEP 11

Insert 3 pieces (B) to the (10) as shown. This step needs to be **done three times**.

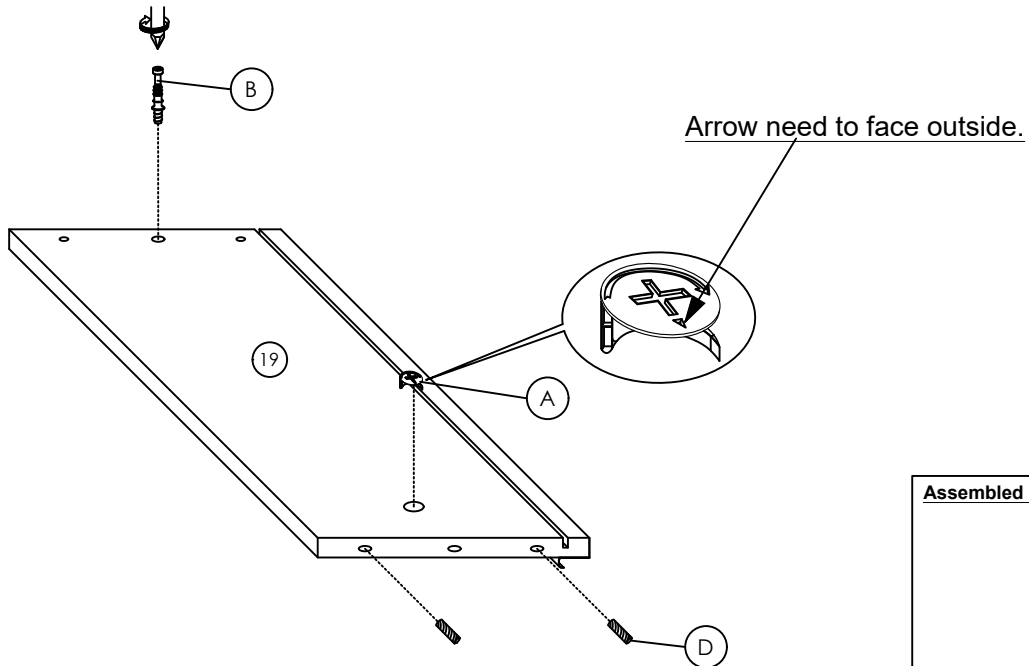


**Assembled looks**

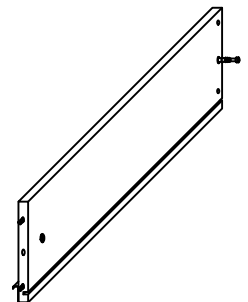


## STEP 12

Insert 1 piece (A), (B) and 2 pieces (D) to (19) as shown. This step needs to be **done three times**.



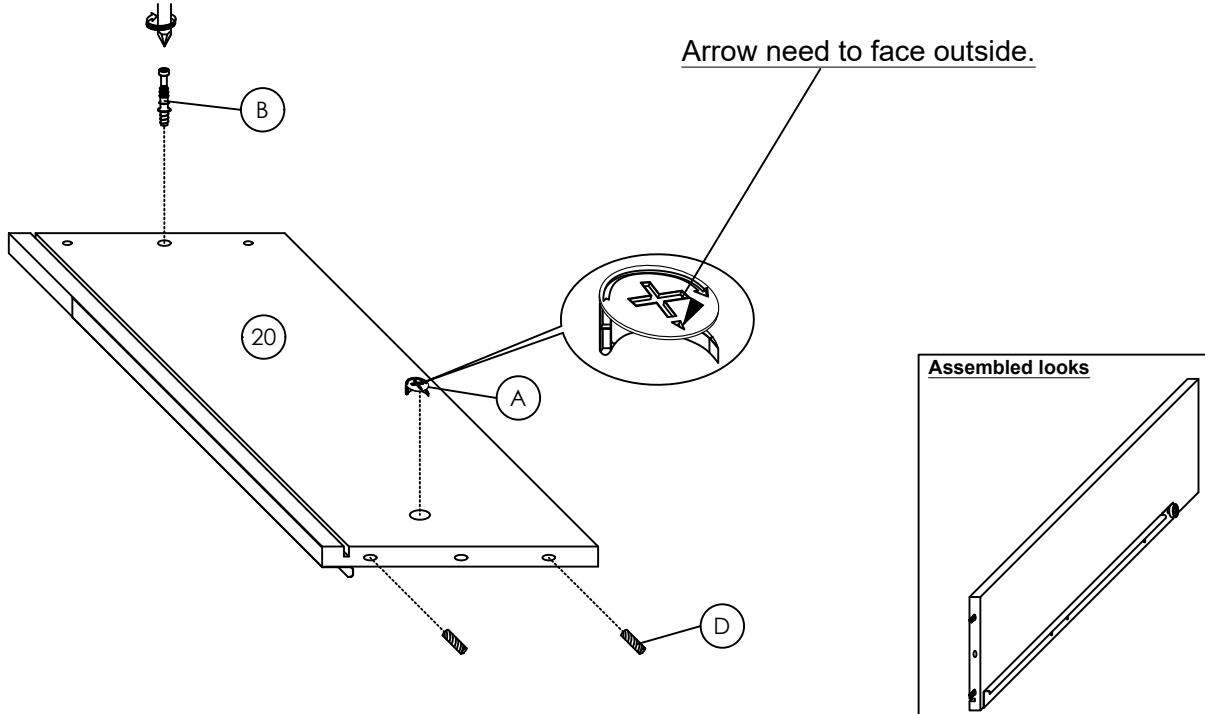
**Assembled looks**



# ASSEMBLY INSTRUCTION

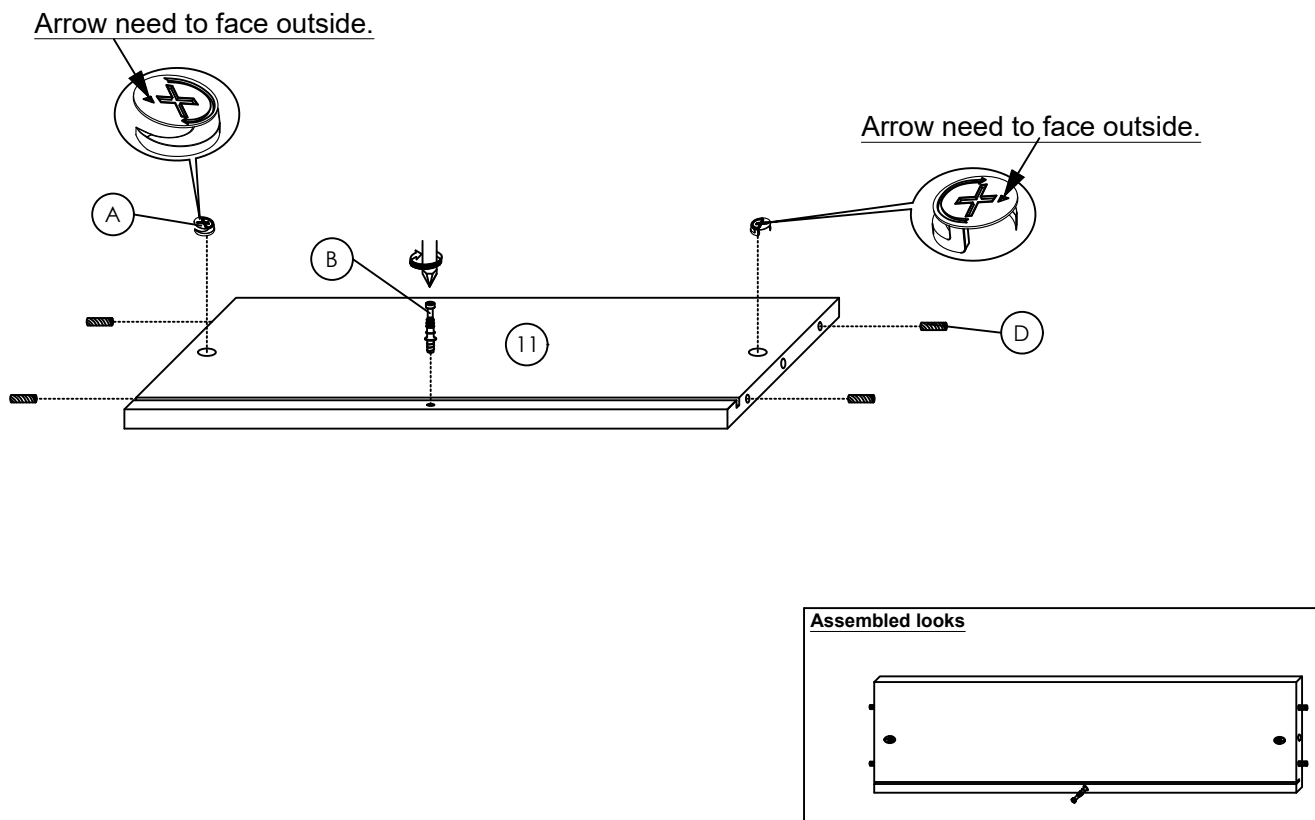
## STEP 13

Insert 1 piece (A),(B) and 2 pieces (D) to (20) as shown. This step needs to be **done three times**.



## STEP 14

Insert 2 pieces (A) , 1 piece (B) and 4 pieces (D) to (11) as shown. This step needs to be **done three times**.

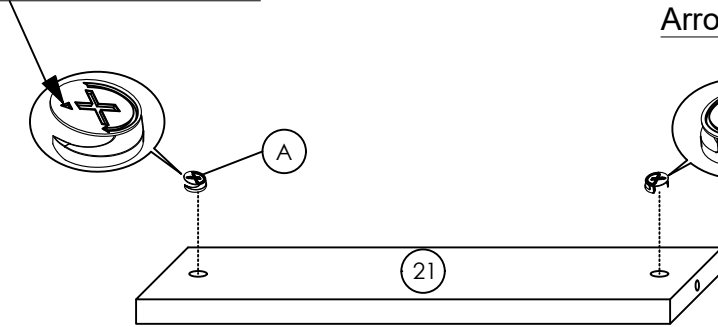


# ASSEMBLY INSTRUCTION

## STEP 15

Insert 2 pieces (A) to (21) as shown. This step needs to be **done three times**.

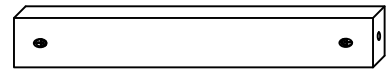
Arrow need to face outside.



Arrow need to face outside.

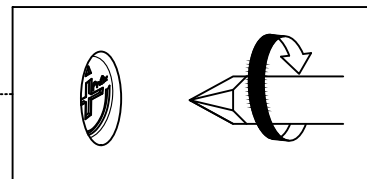
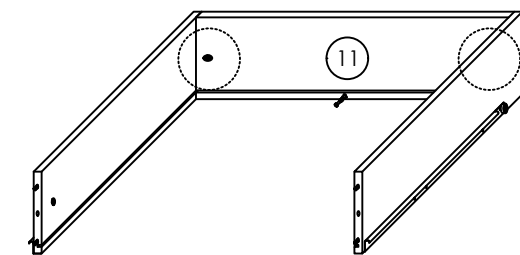
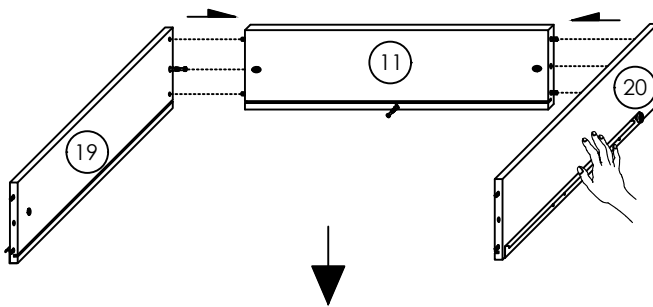


**Assembled looks**



## STEP 16

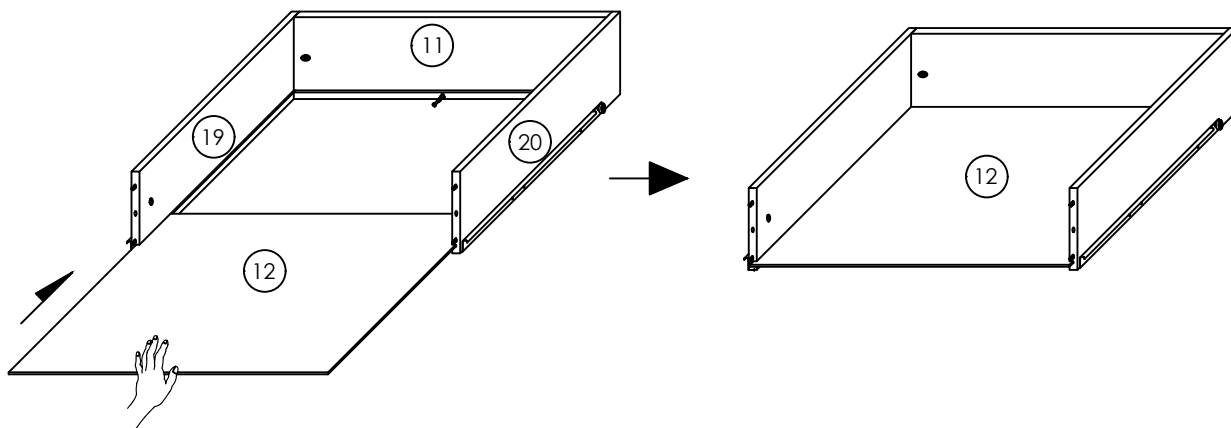
Combine the (19) and (20) to the (11). Then tighten the 2 pieces (A)-(pre-insert in step 14) as shown. This step needs to be **done three times**.



# ASSEMBLY INSTRUCTION

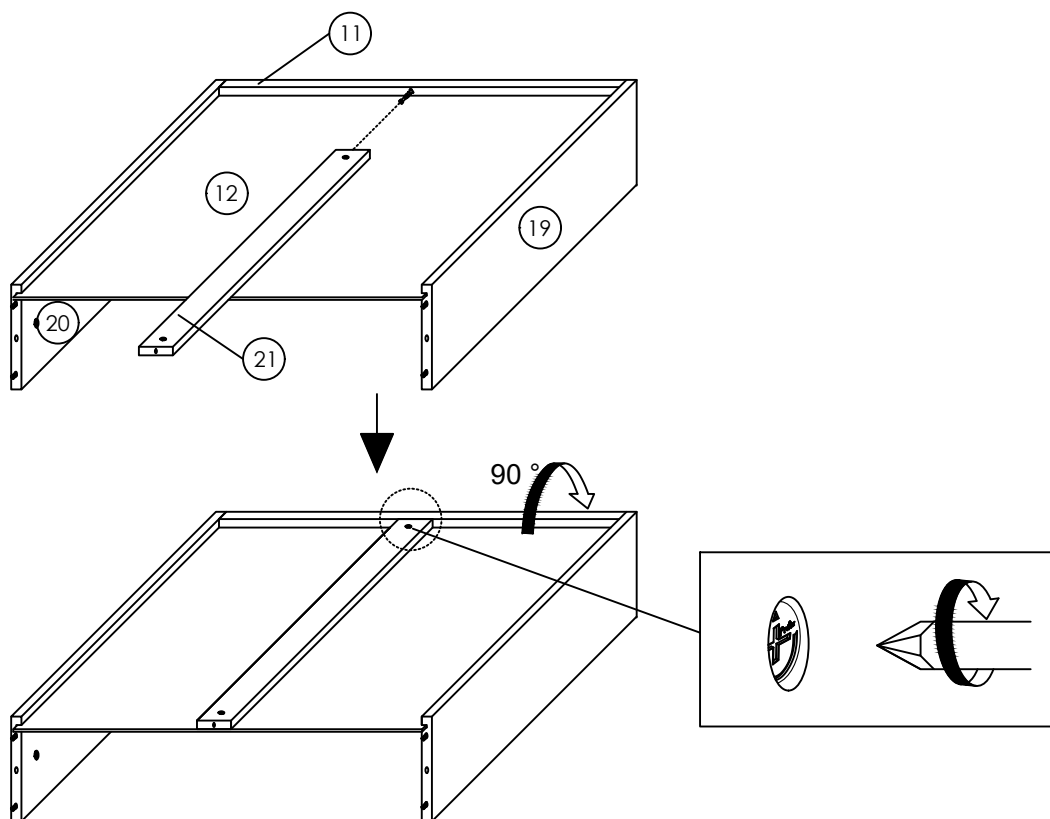
## STEP 17

Put the (12) into the gap of (19),(20) and (11) as shown. This step needs to be **done three times**.



## STEP 18

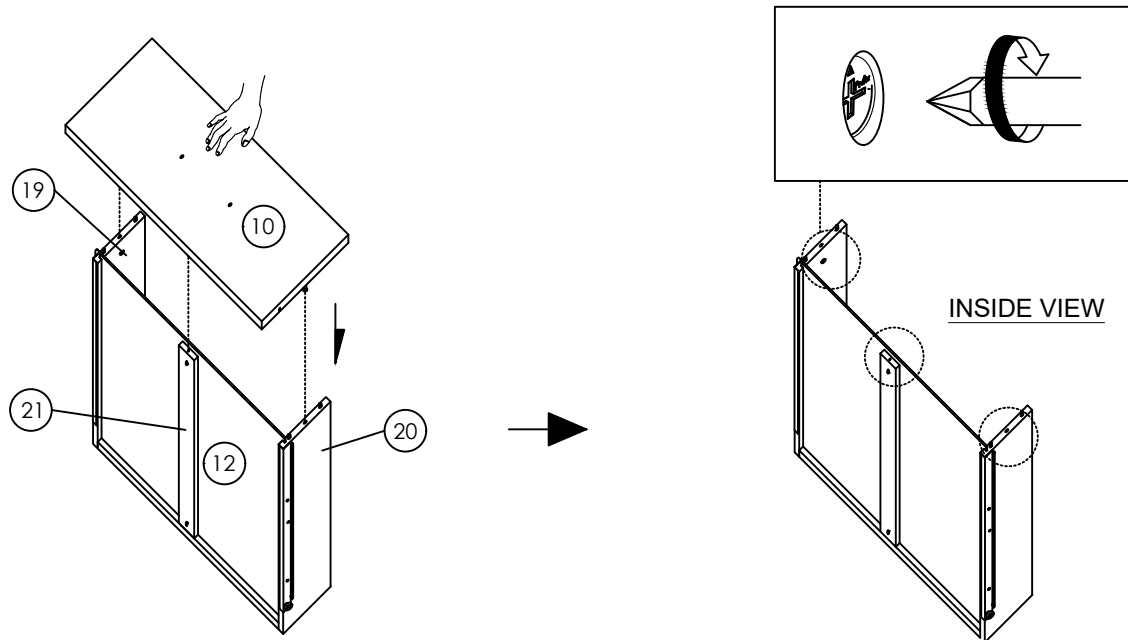
Combine the (21) to the (11) then tighten the 1 piece (A)-(pre-insert in step 15) as shown. This step needs to be **done three times**.



# ASSEMBLY INSTRUCTION

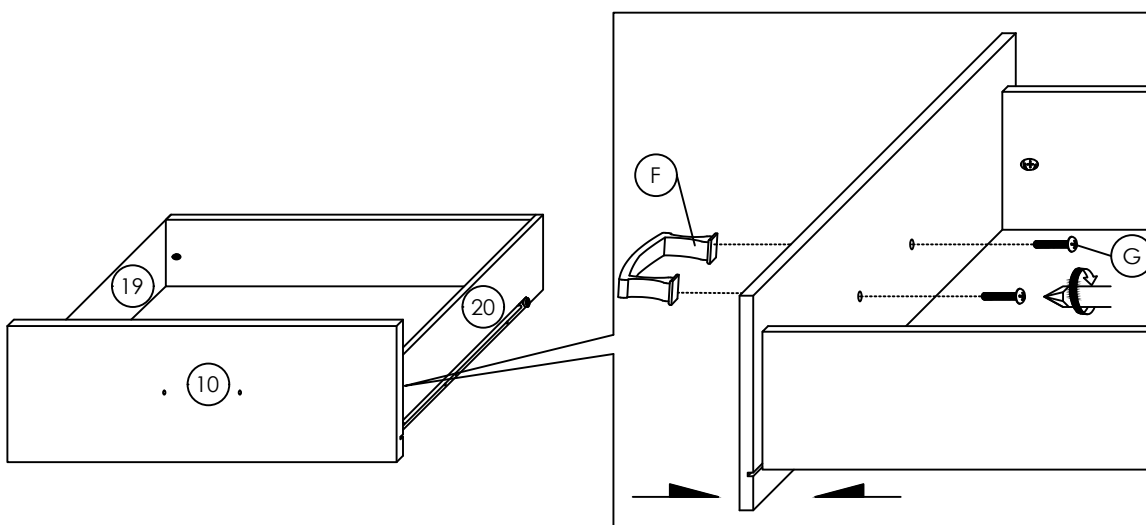
## STEP 19

Combine the (10) to the drawer frame. Then tighten the 3 pieces (A)-(pre-insert in step 12, 13 and 15) as shown. This step needs to be **done three times**.



## STEP 20

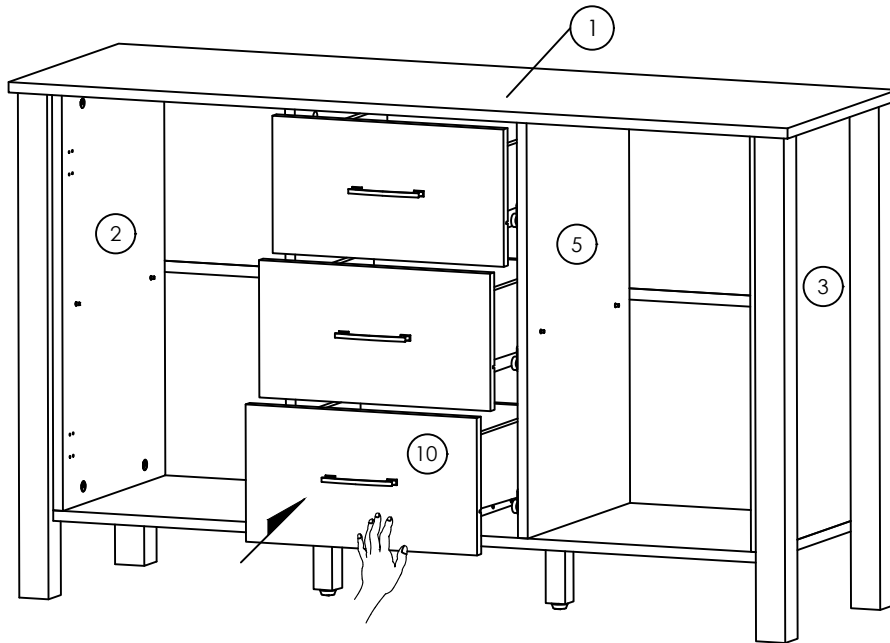
Insert 2 pieces (G) fix the (F) as shown. This step needs to be **done three times**.



# ASSEMBLY INSTRUCTION

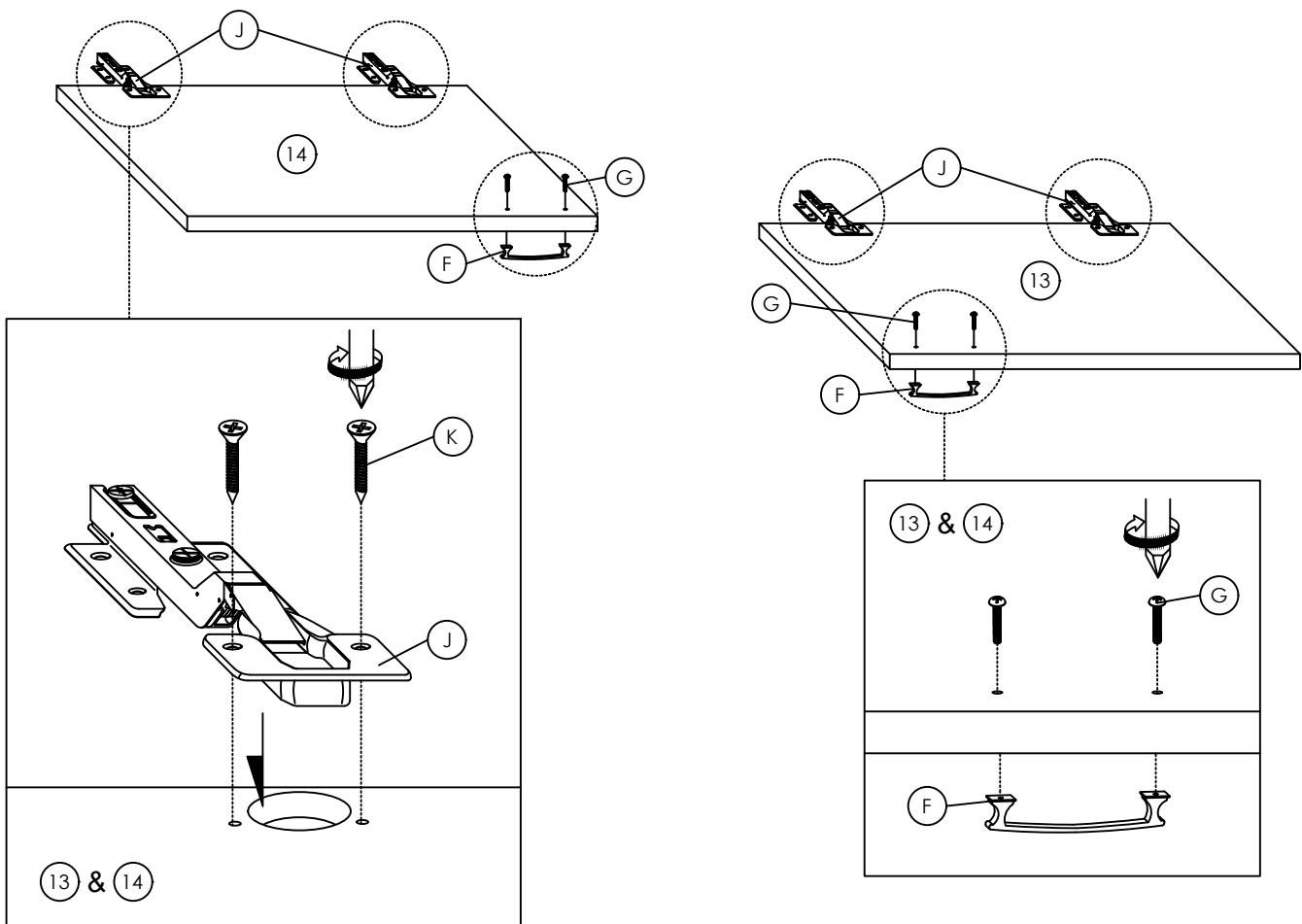
## STEP 21

Align the position then push the 3 pieces drawer to inside exactly by your hand as shown.



## STEP 22

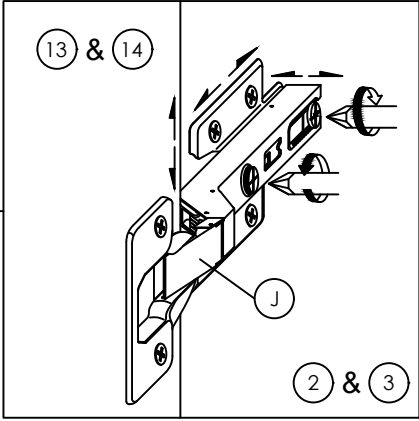
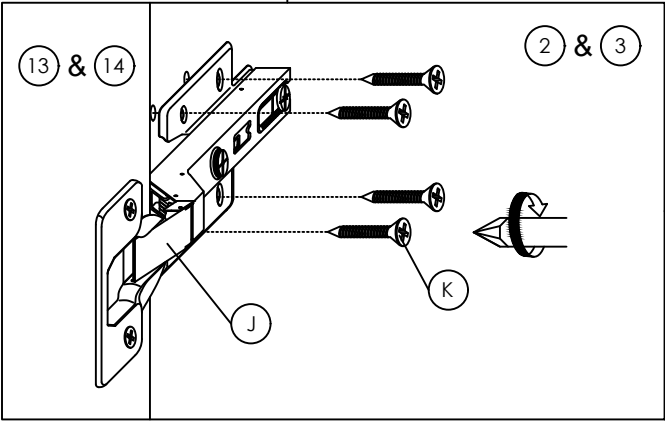
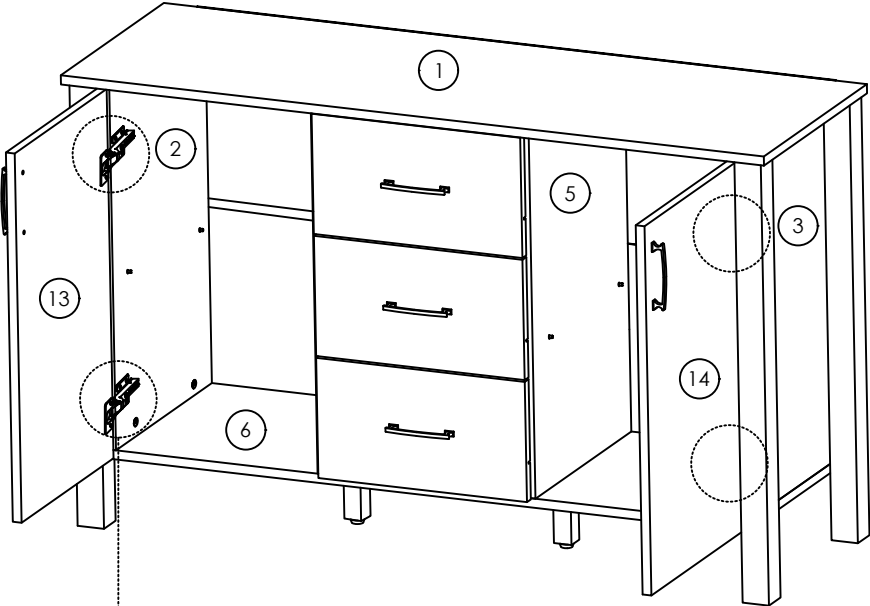
Insert 8 pieces (K) to fix the 4 pieces (J) to the (13) and (14). Then insert 4 pieces (G) to fix the 2 pieces (F) as shown.



# ASSEMBLY INSTRUCTION

## STEP 23

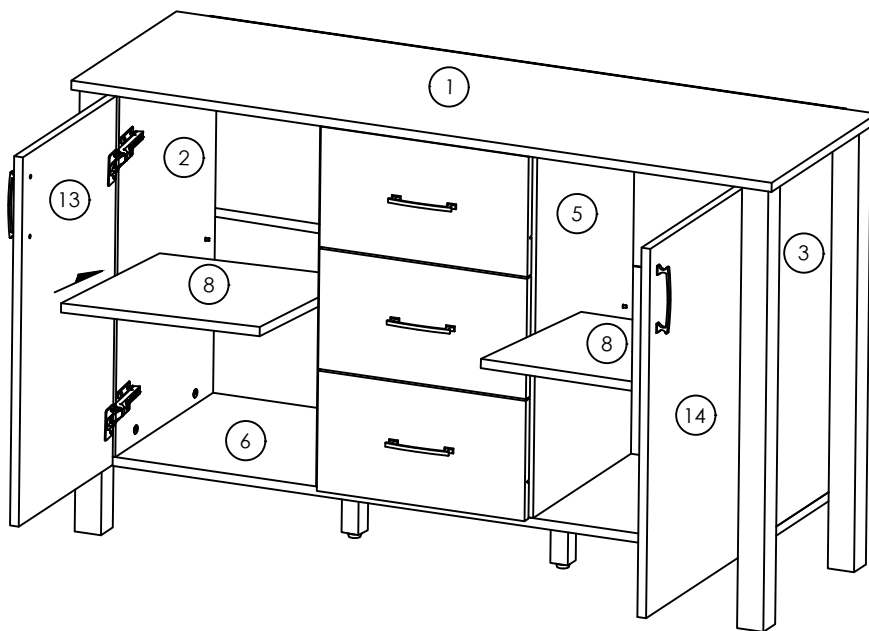
Insert the 16 pieces (K) to fix the (J) of (13) and (14) to the (2) and (3) as shown.  
Then adjust the (J) then tighten the 8 pieces adjuster screws as shown.



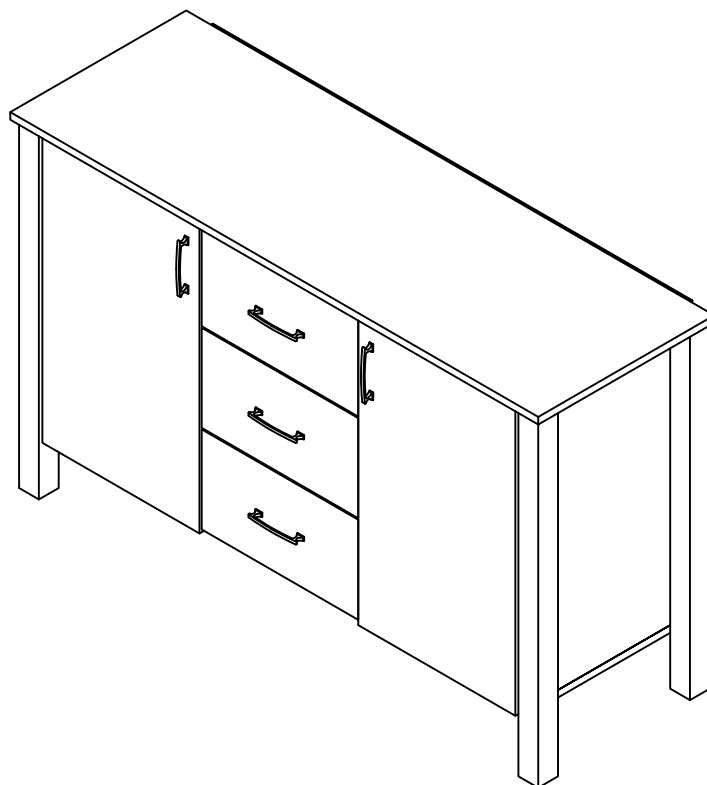
# ASSEMBLY INSTRUCTION

## STEP 25

Put the (8) on the (E) which between (2),(3),(4) and (5) as shown.



## STEP 26

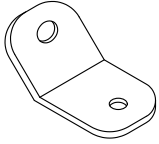


**ASSEMBLY COMPLETED**

# WALL STUD

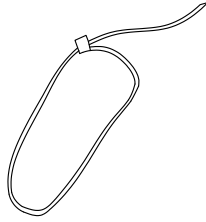
## SAFETY BRACKET INSTRUCTIONS

Part Enclosed :  
A) Bracket



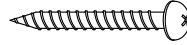
2x

B) Safety Strap



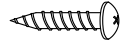
1x

C) 50mm Pan Head Screw



1x

D) 17mm Pan Head Screw



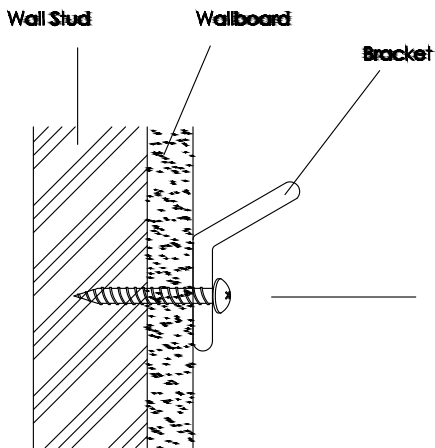
1x

**IMPORTANT:** Tipping can injure young children. Use of this safety hardware is highly recommended. This safety hardware, when properly installed, can provide furniture protection against unexpected accidental tipping of furniture due to improper use.

### Step 1

Attach a bracket to the wall board with the 2" screw provided:

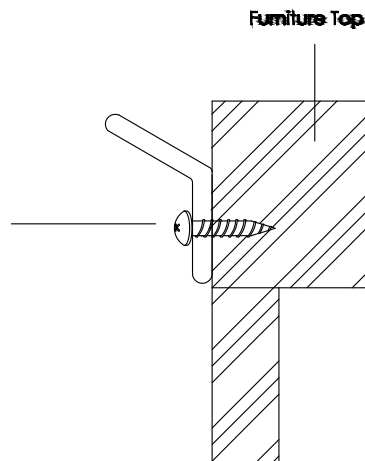
- It is recommended that you locate a wall stud behind the furniture unit. If the wall stud is not used, a suitable "Hollow-Wall Anchor Bolt" (not provided) should be used in lieu of the wall stud.
- Position the wall bracket on the stud about 1" below the top of furniture piece.
- Mark the position for the bracket placement on the wall and drill a pilot hole into the stud.
- Attach the bracket to the back of the furniture with the 2" screws provided.



### Step 2

To attach a bracket to the Furniture Frame below to top with the short screws provided :

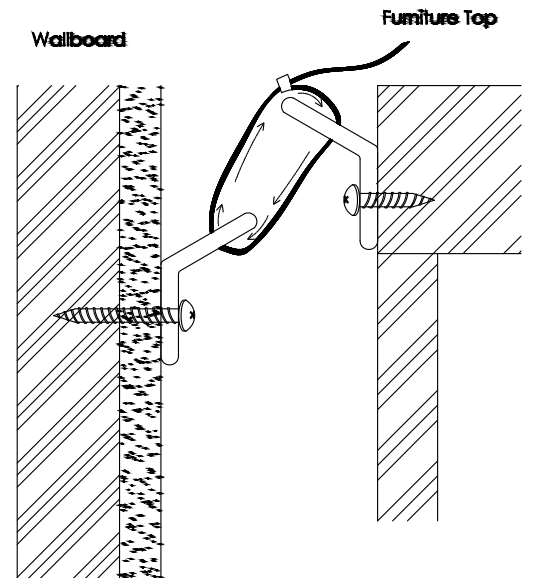
- Move the furniture piece temporarily to its final position to the wall.
- Mark the location of the bracket on the back of the furniture in relation to the previously mounted wall bracket.
- Move the furniture piece away from the wall mounted bracket and place the other bracket on the mark position on the back of the furniture piece.
- Drill a pilot hole as shown in the figure or into the back furniture frame.
- Caution:** Make sure you do not drill completely through the back of the furniture.
- Attach the bracket to the back of the furniture with the 5/8" screws provided.



### Step 3

To Attach the safety strap:

- Move the furniture back to its final position.
- Thread the safety strap through both of the mounted brackets as shown in the illustration.
- Tighten the strap unit snug.
- Do not over tighten.



**IMPORTANT:** Make sure the brackets are firmly attached to the wall stud and furniture frame and the safety strap is snug.

**Warning:** This product is not be a substitute for proper parental supervision which is the only proper deterrent to prevent improper use of this unit. The manufacturer assumes no liability for improper installation or excessive loads placed on the safety straps, bracket or mounting screws. This hardware will not insure against tipping.

**Note:** For taller or heavier pieces of furniture, two safety brackets may be installed.

This sticker was stucked at one of the DRAWER LEFT PANEL(19).



Place the drawer which stucked a warning label in the top as shown.

