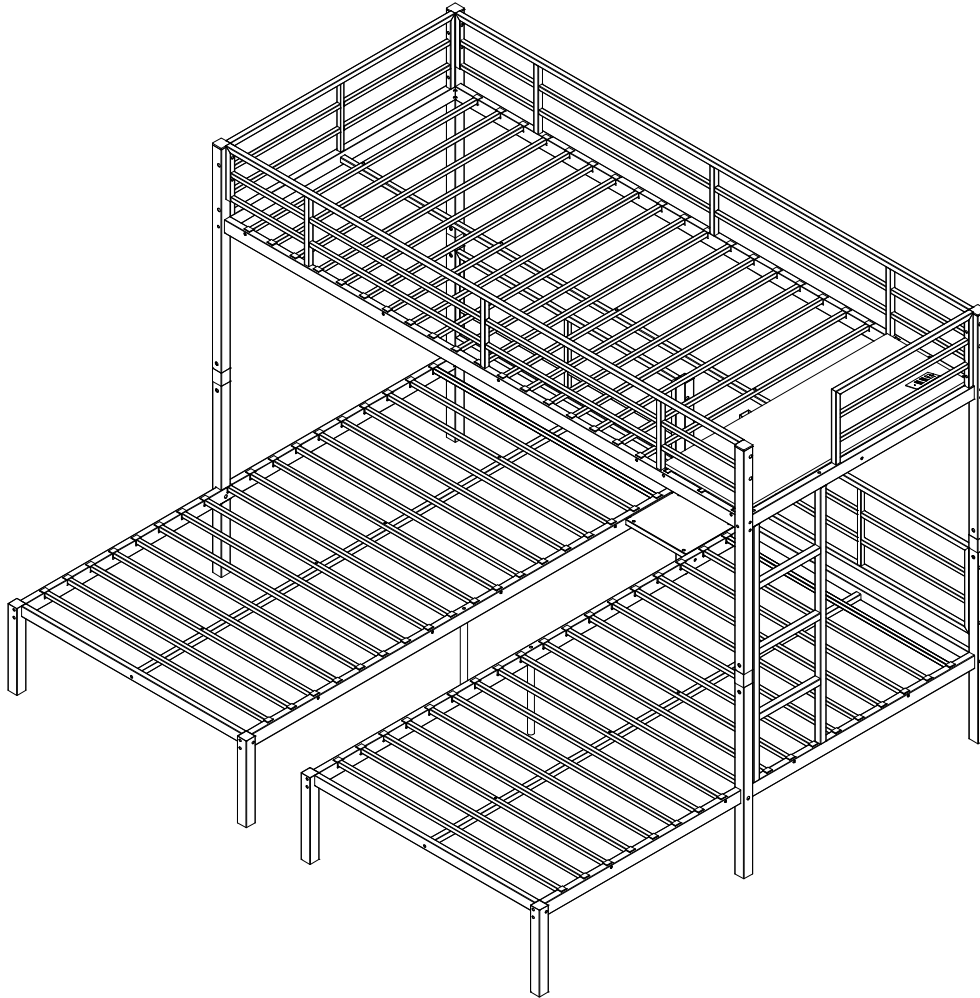


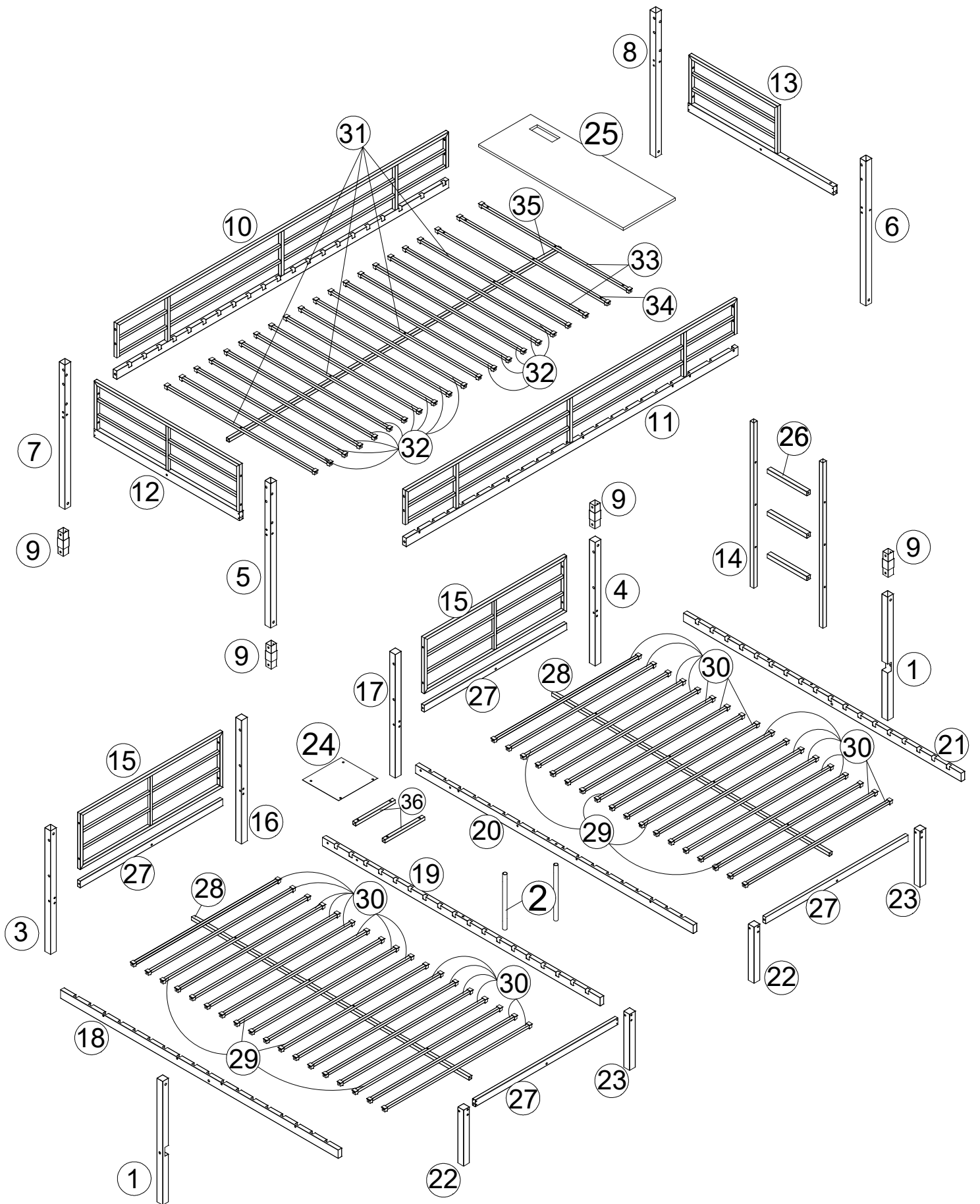
ASSEMBLY INSTRUCTION

4-B



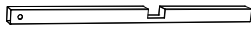
IMPORTANT NOTE

1. Please check that all parts are complete before installation.
2. Please strictly follow the installation steps to install.
3. Please install the bed on a clean and smooth surface to prevent any damage
4. Please do not use the power tools to assemble the bed.
5. Please periodically check all the fittings and re-tighten as necessary.
6. Please do not use the bed unless all bolts and screw are firmly secured



Components List

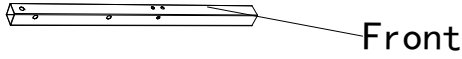
① x2



② x2



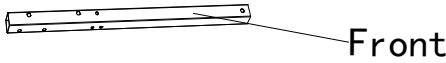
③ x1 The Lower Left Back Leg#1x1



④ x1 The Lower Right Back Leg#1x1



⑤ x1 The Upper Left Front Leg#1x1



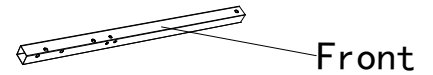
⑥ x1 The Upper Right Front Leg#1x1



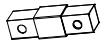
⑦ x1 The Upper Left Back Leg#1x1



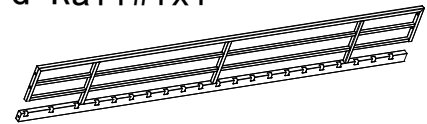
⑧ x1 The Upper Right Back Leg#1x1



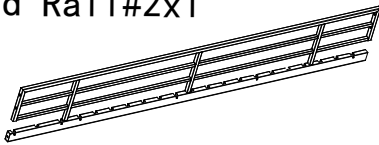
⑨ Connecting rod#1x4



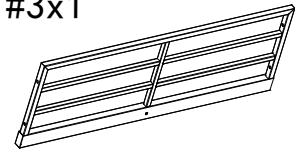
⑩ Guard Rail#1x1



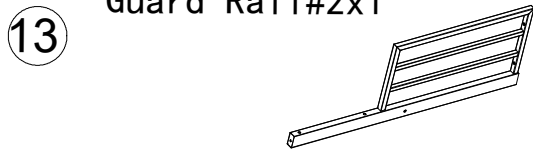
⑪ Guard Rail#2x1



⑫ Guard Rail#3x1



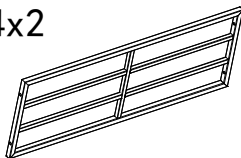
⑬ Guard Rail#2x1



⑭ x2



⑮ Guard Rail#4x2



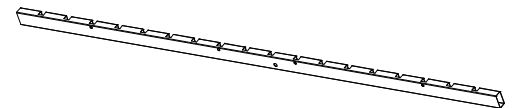
⑯ x1



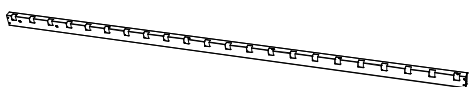
⑰ x1



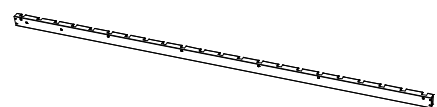
⑱ x1



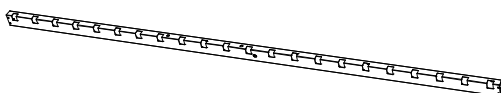
⑲ x1



⑳ x1



㉑ x1



㉒ x2

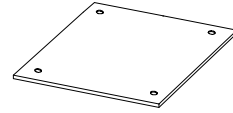


Components List

23 x2

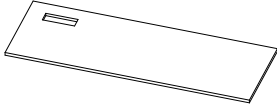


24 x1



265x245

25 x1

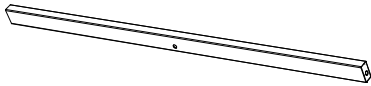


985x355x12

26 x3



27 x4

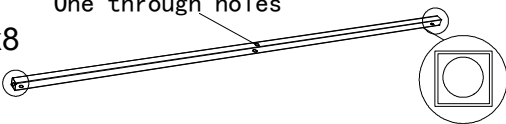


28 x2



29 x8

One through holes

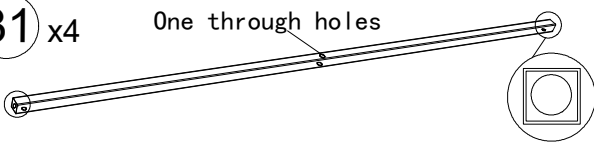


30 x28

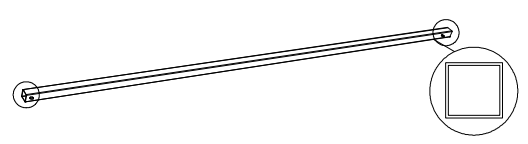


31 x4

One through holes



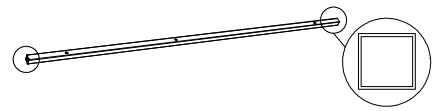
32 x14



33 x2



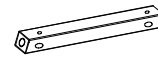
34 x1



35 x1

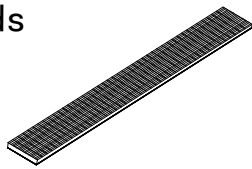


36 x2

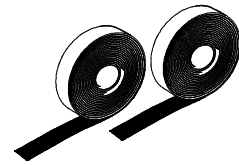


37 x3

Bubble Pads

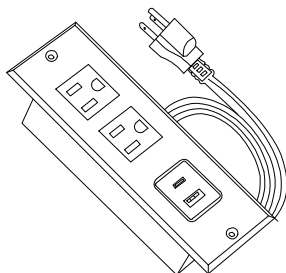


38



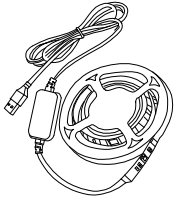
Sound Insulation Cotton

39



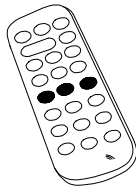
Components List

40



This LED light Strip

41

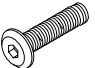
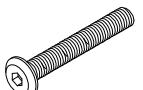
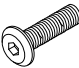
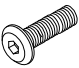

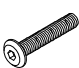
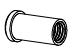






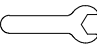
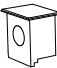

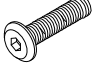

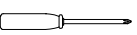


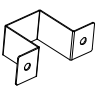

This LED light Strip

* This LED light strip can be cut to any length.

* This LED light strip controller supports multiple lighting modes

Hardwares List


Item	Description	Qty
A	 M8x60	36
B	 M8x70	4
C	 M8x40	16
D	 M8x30	10
E	 M4x12 Screw	11
F	 M6x40	40
G	 M6x12	4
H	 M8x25	32
J	 M6 Allen key	2
K	 M8 Allen key	2

Item	Description	Qty
L	 M8x16	2
M		1
N		114
P	 M6x12	4
Q	 M8x50	22
R	 M6 Nuts	12
S		1
T	 M6x35 Screw	4
U		4
V		2
Y		8

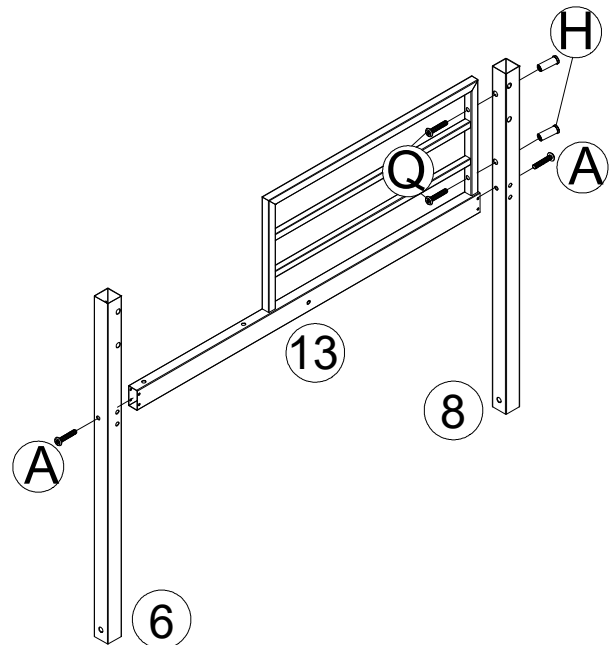
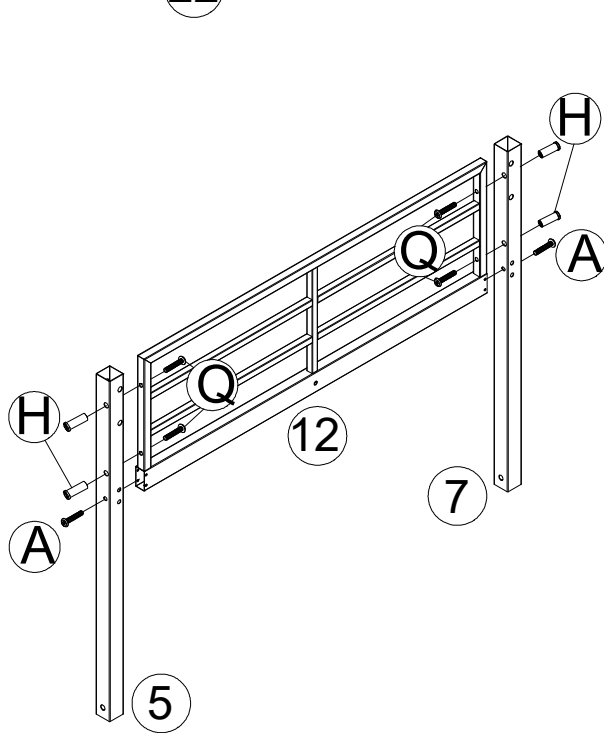
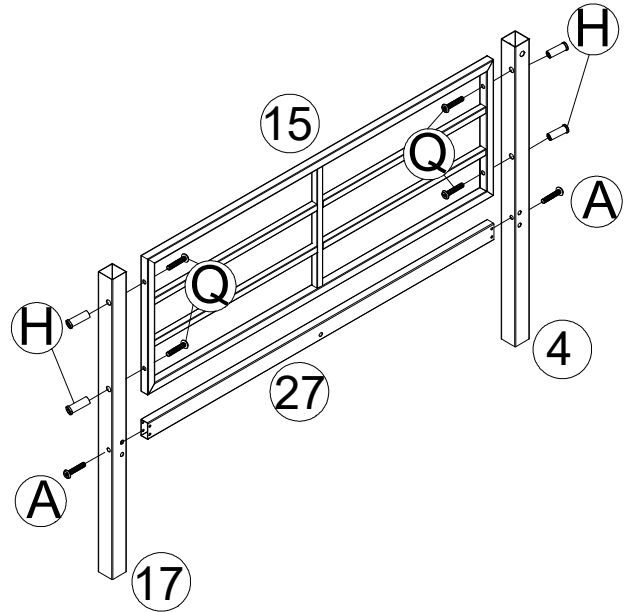
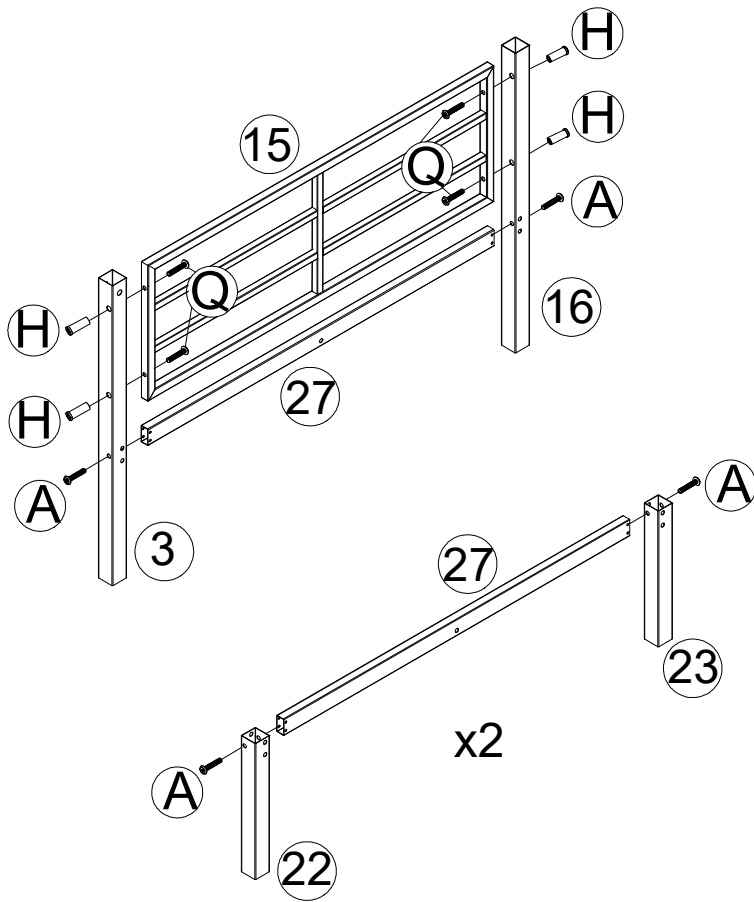
STEP 1

A		M8x60	12
----------	---	-------	----

H		M8x25	14
----------	---	-------	----

K		M8 Allen key	2
----------	---	--------------	---

Q		M8x50	14
----------	---	-------	----




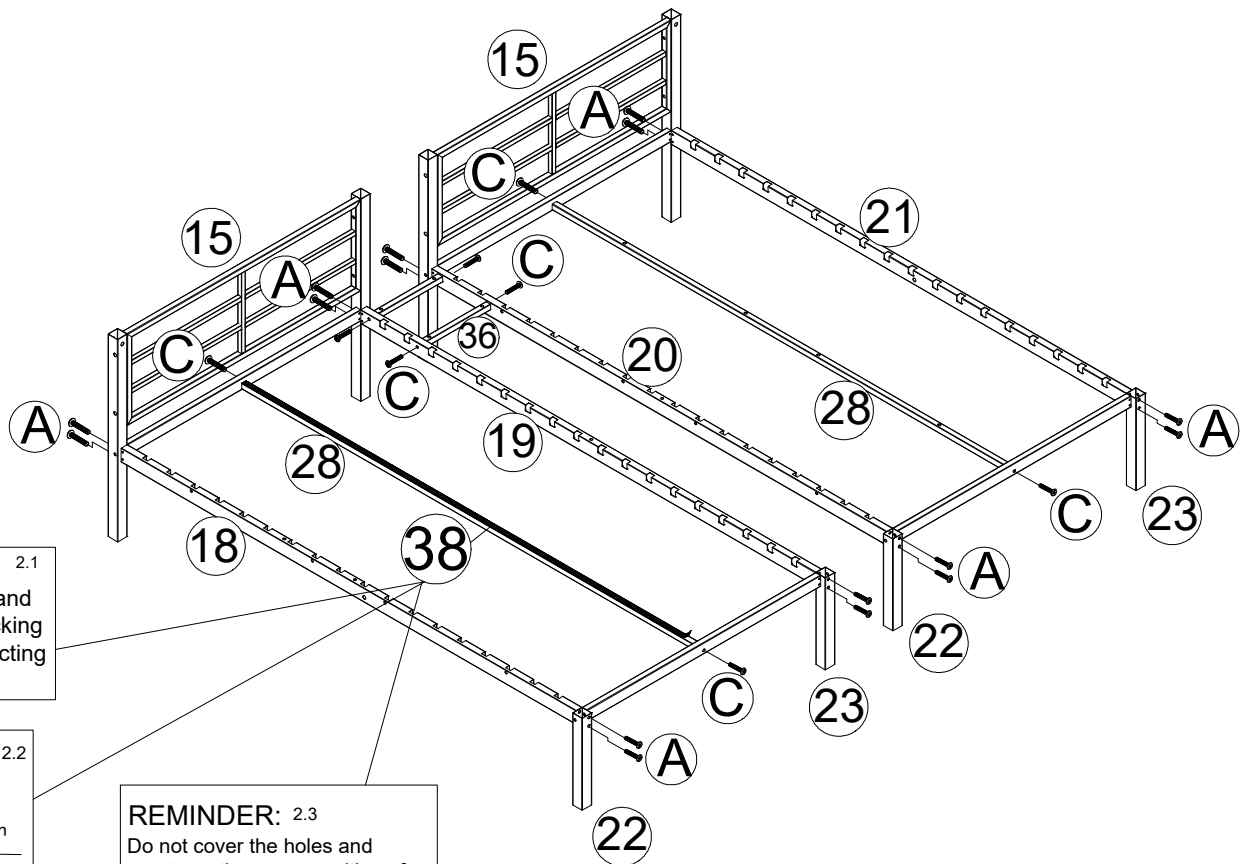
Please install the bed on a clean and smooth surface to prevent any damage!

STEP2

A		M8x60	16
----------	---	-------	----


C		M8x40	8
----------	---	-------	---

K		M8 Allen key	1
----------	---	--------------	---




REMARK: 2.1
Clean the sticking part and keep it clean before sticking the velcro, to avoid affecting the stickiness.

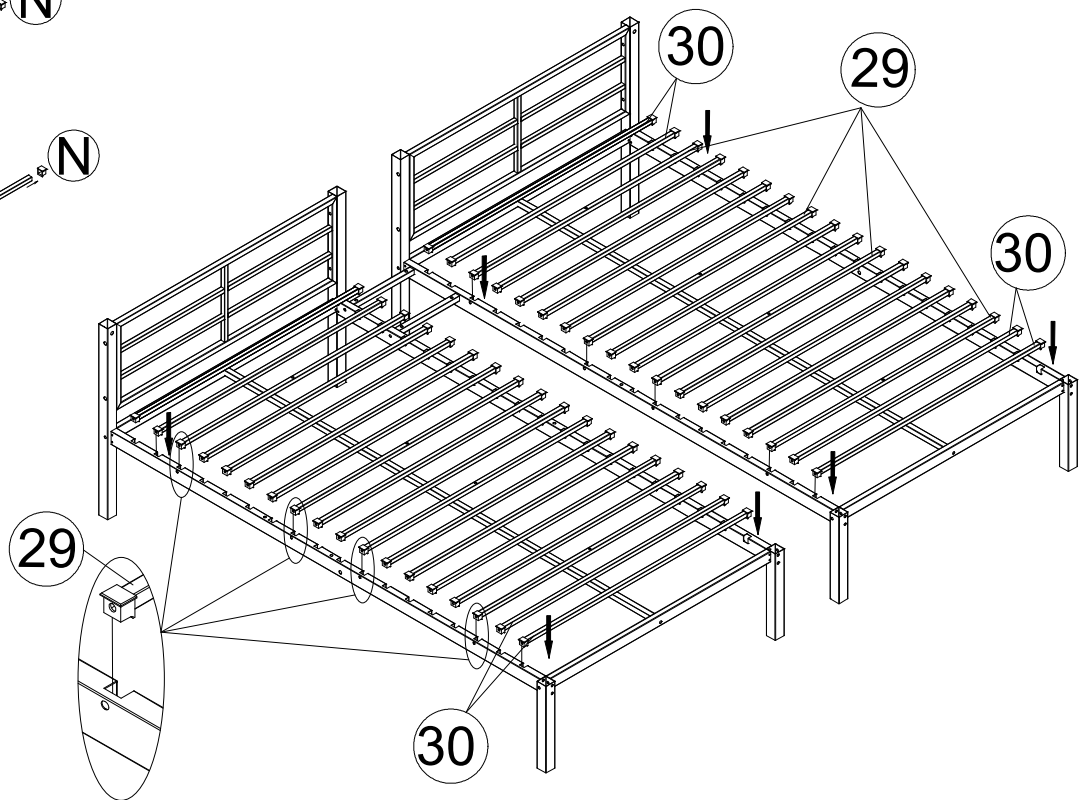
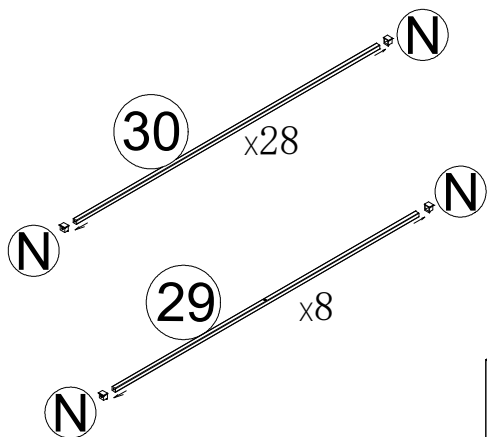
REMARK: 2.2
Tear off the white isolation paper on the back of Sound Insulation Cotton







REMINDER: 2.3
Do not cover the holes and paste on the upper position of the view of the rail as shown.



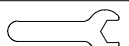
STEP3


N		72
----------	---	----

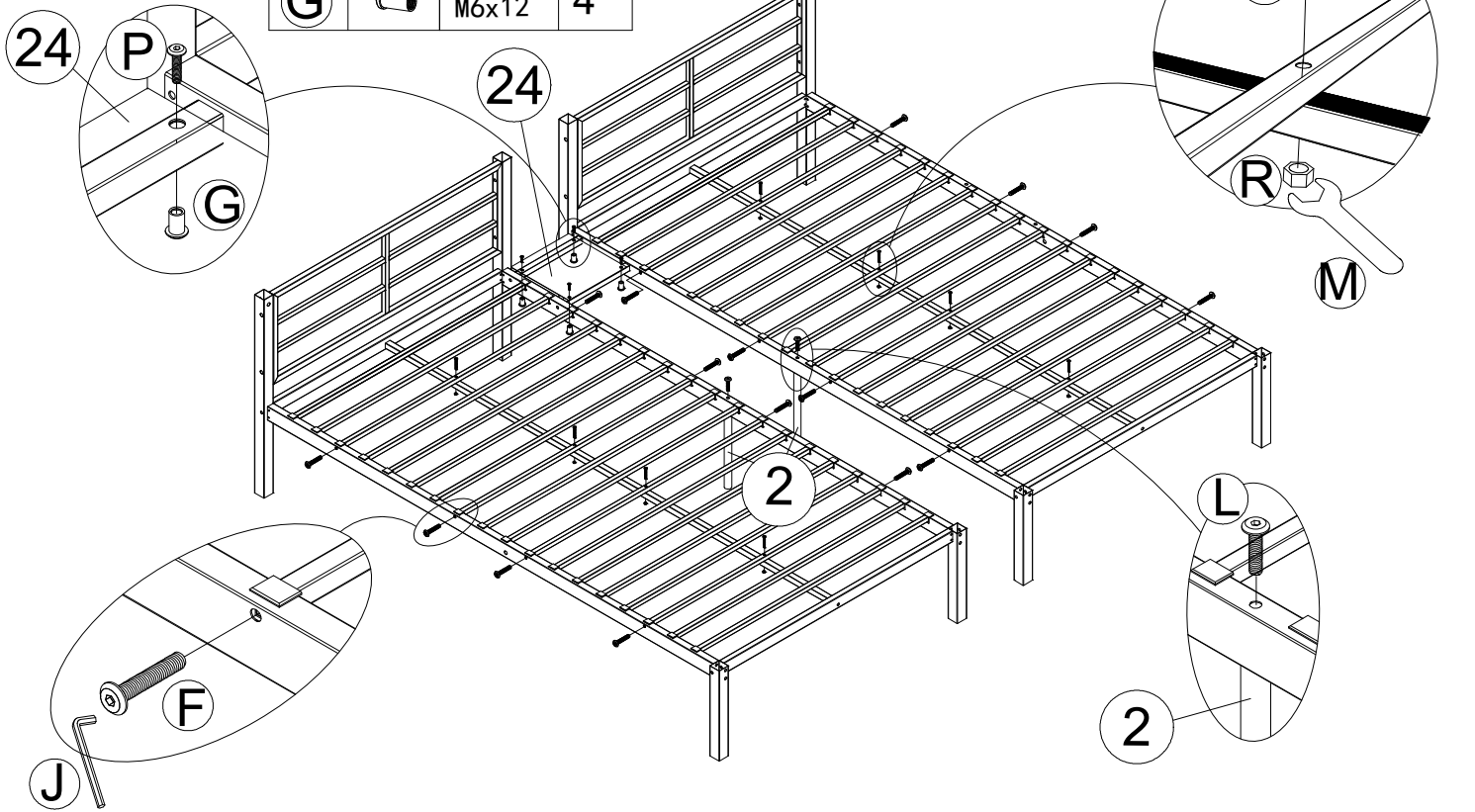


STEP4





(F)		M6x40	24
(L)		M8x16	2
(R)		M6 Nuts	8
(G)		M6x12	4


(J)		M6 Allen key	2
(P)		M6x12	4
(M)			1

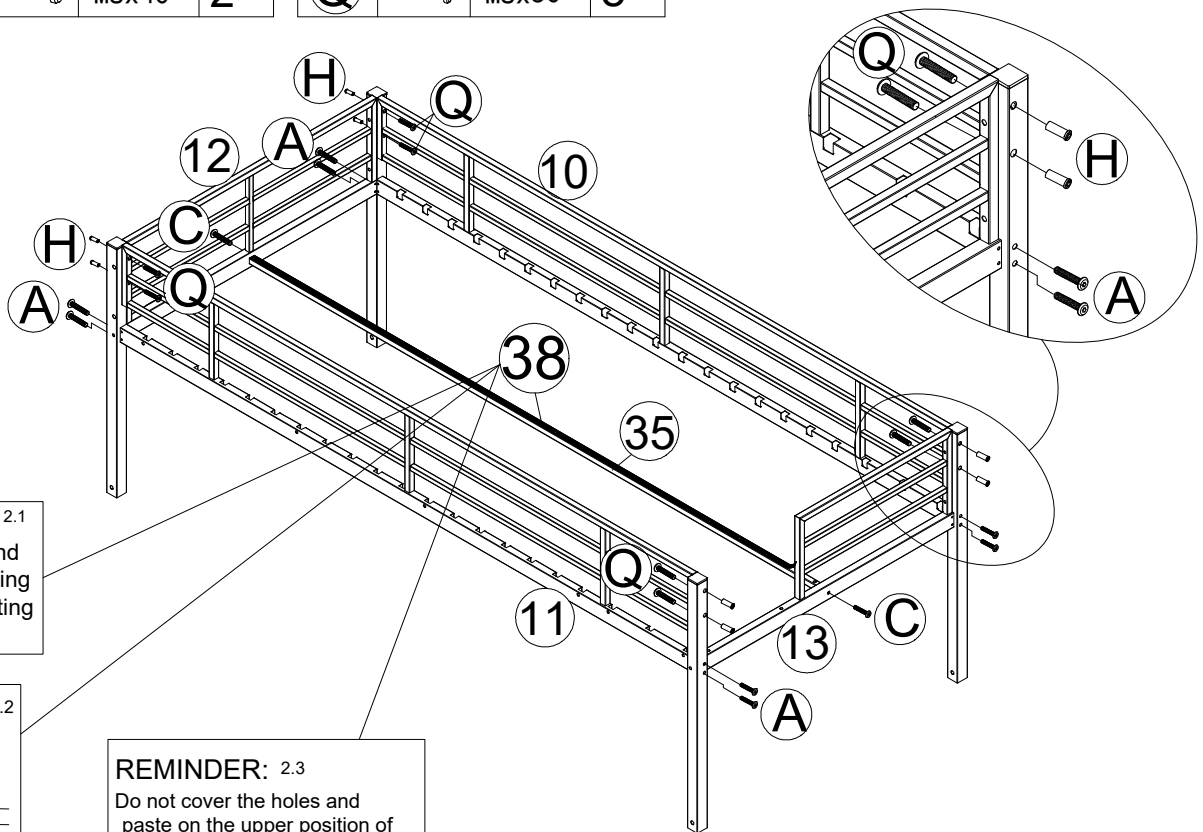
(K)		M8 Allen key	1
-----	--	--------------	---



STEP5


(A)		M8x60	8
(C)		M8x40	2
(H)		M8x25	8
(Q)		M8x50	8

(K)		M8 Allen key	2
-----	---	--------------	---




REMARK: 2.1
Clean the sticking part and keep it clean before sticking the velcro, to avoid affecting the stickiness.

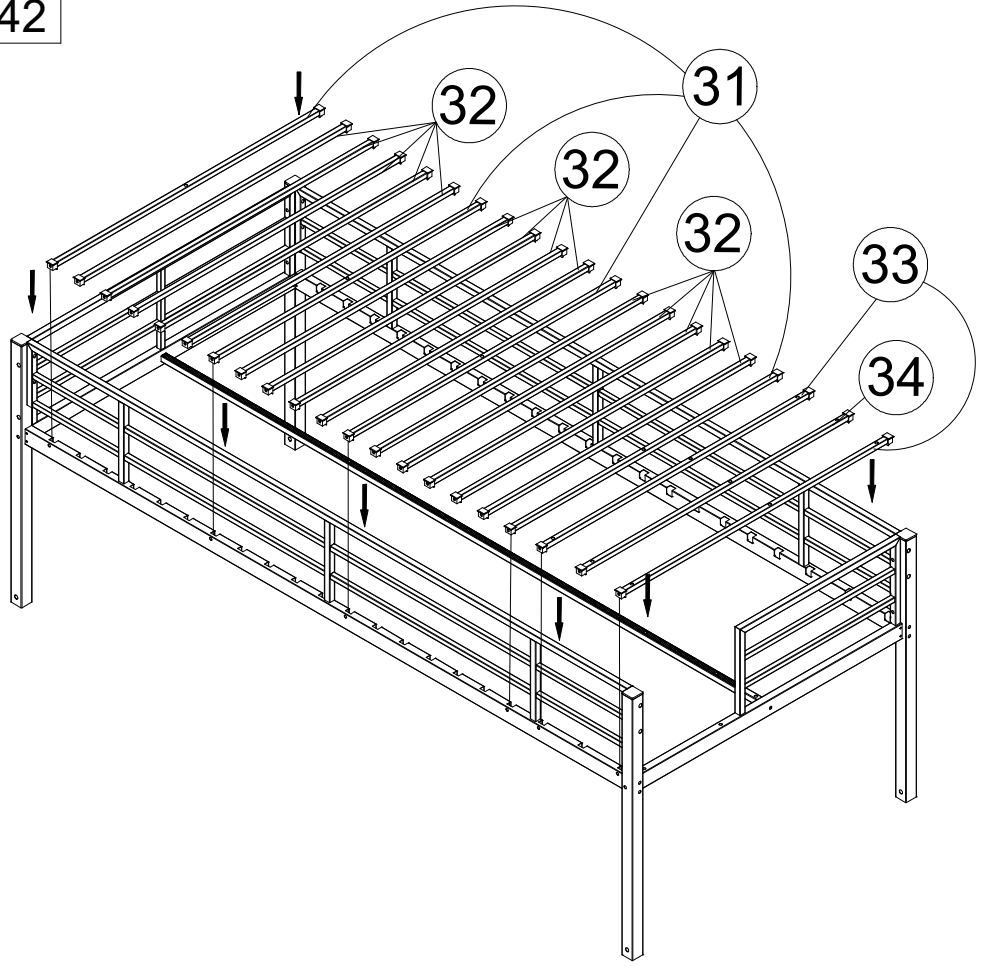
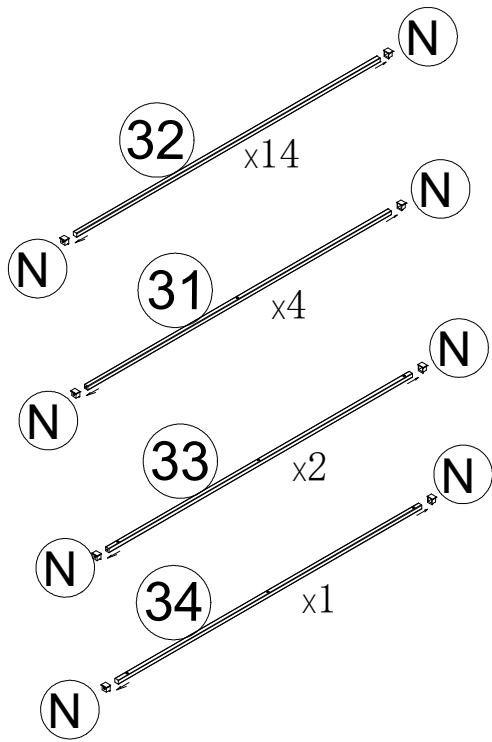
REMARK: 2.2
Tear off the white isolation paper on the back of Sound Insulation Cotton



REMINER: 2.3
Do not cover the holes and paste on the upper position of the view of the rail as shown.


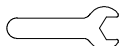
STEP 6

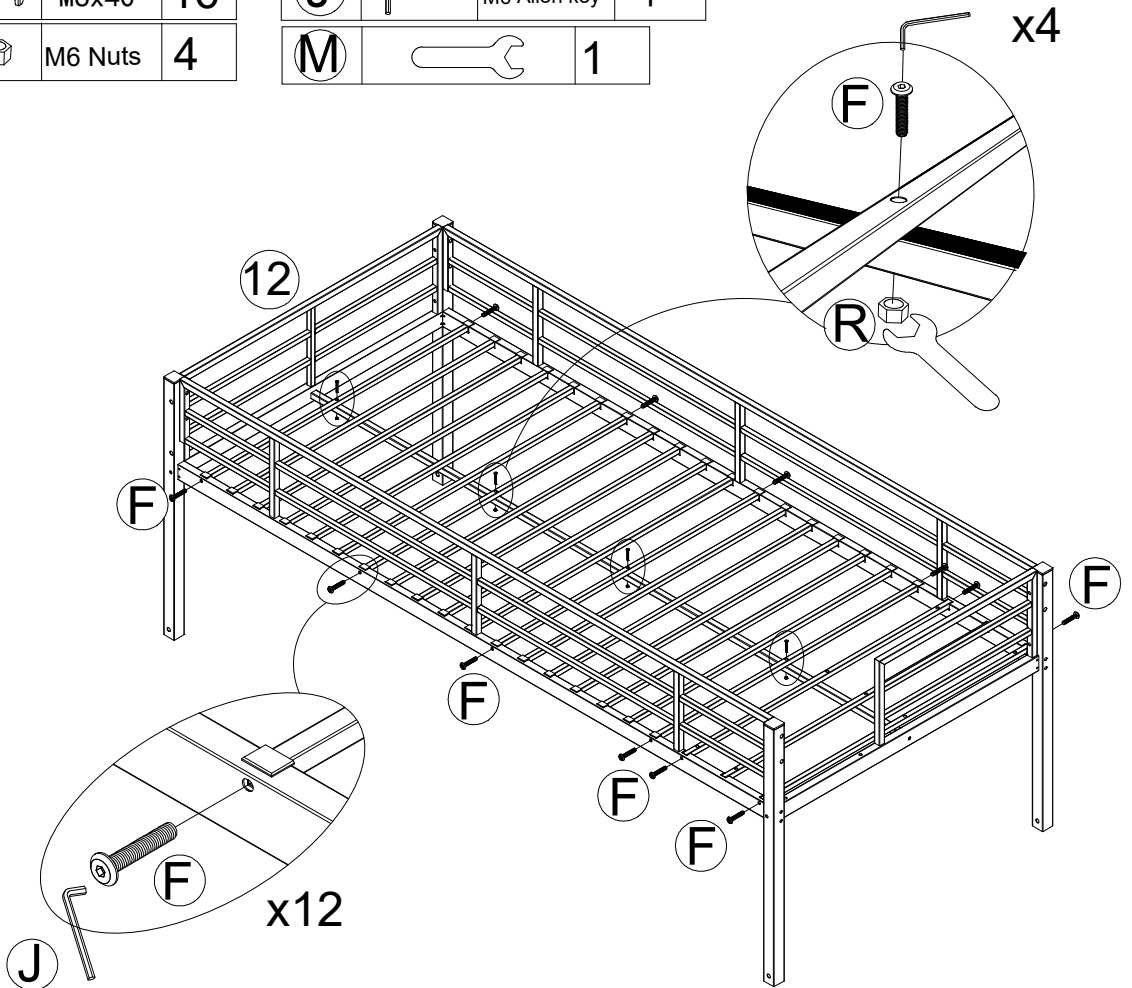
(N)		42
-----	--	----






STEP 7

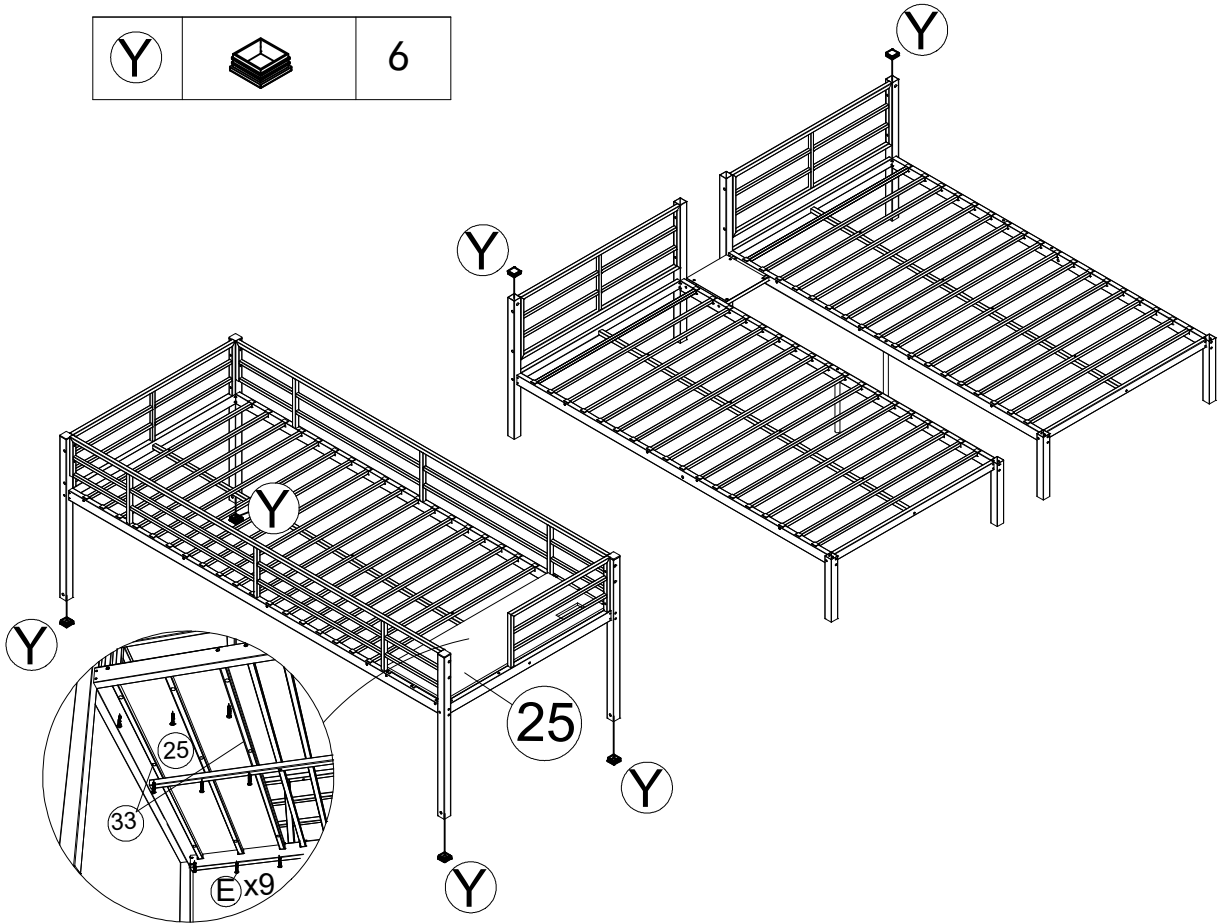
(F)		M6x40	16
(R)		M6 Nuts	4

(J)		M6 Allen key	1
(M)			1






STEP8

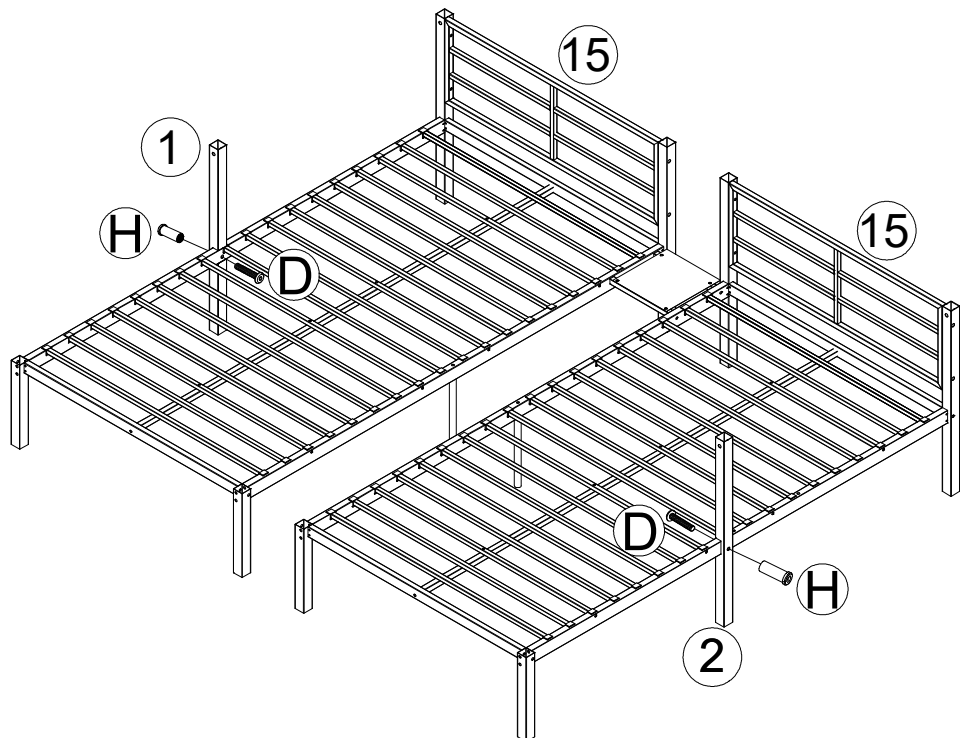
E		4x12 Screw	9	S		1
Y			6			





if you plan to become 3 dividual metal bed,please follow below step1 to 8 above . Otherwise please jump to step 9

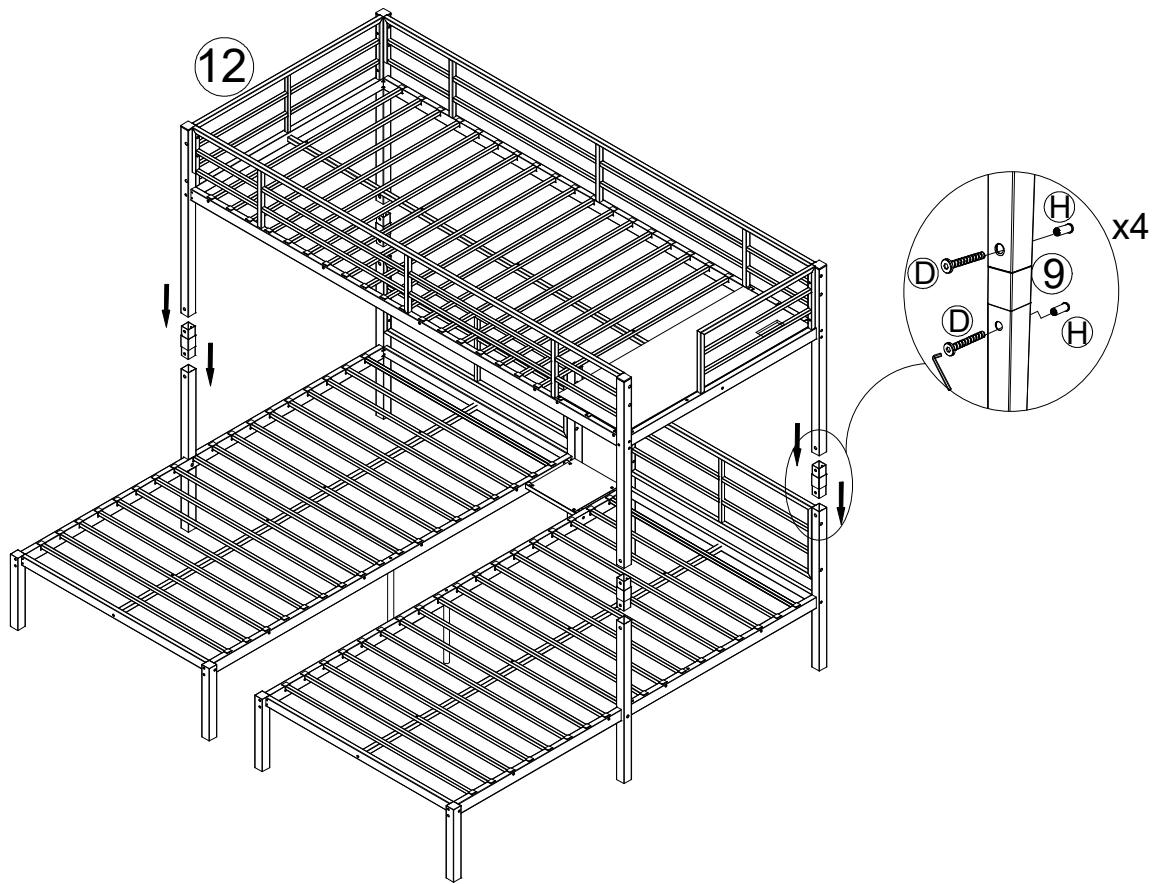
STEP9

D		M8x30	2	H		M8x25	2	K		M8 Allen key	2
----------	---	-------	---	----------	---	-------	---	----------	---	--------------	---









STEP10

D		M8x30	8	H		M8x25	8	K		M8 Allen key	2
----------	--	-------	---	----------	--	-------	---	----------	--	--------------	---



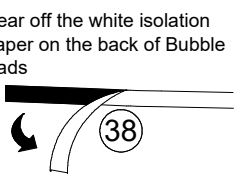
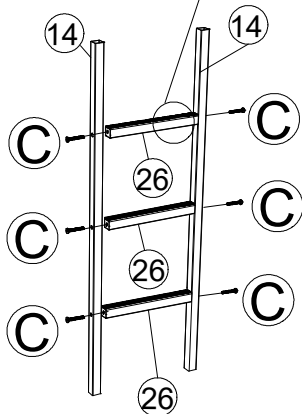
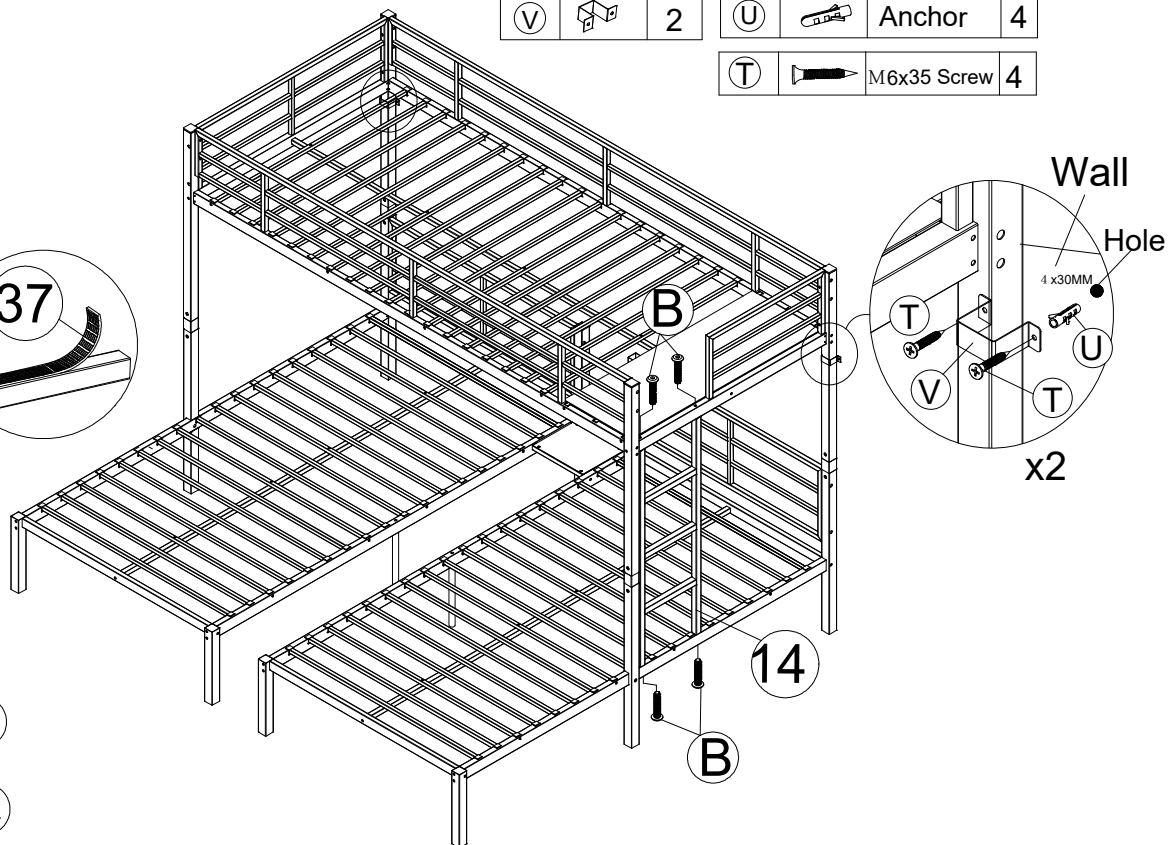
STEP11

C		M8x40	6	B		M8x70	4	K		M8 Allen key	1
----------	---	-------	---	----------	---	-------	---	----------	---	--------------	---

- | | | |
|----------|--|---|
| V |  | 2 |
|----------|--|---|
- | | | | |
|----------|---|--------|---|
| U |  | Anchor | 4 |
|----------|---|--------|---|
- | | | | |
|----------|---|-------------|---|
| T |  | M6x35 Screw | 4 |
|----------|---|-------------|---|

REMARK: 11.1
Clean the sticking part and keep it clean before sticking the velcro, to avoid affecting the stickiness.

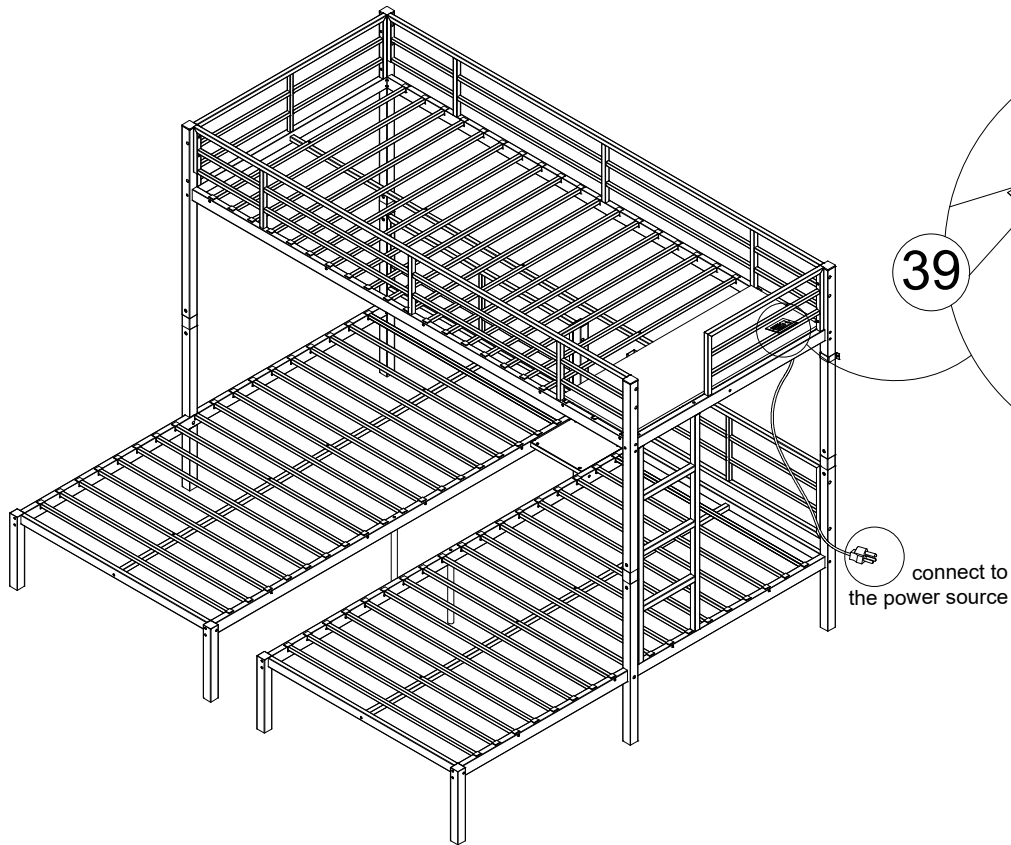
REMARK: 11.2
Tear off the white isolation paper on the back of Bubble Pads

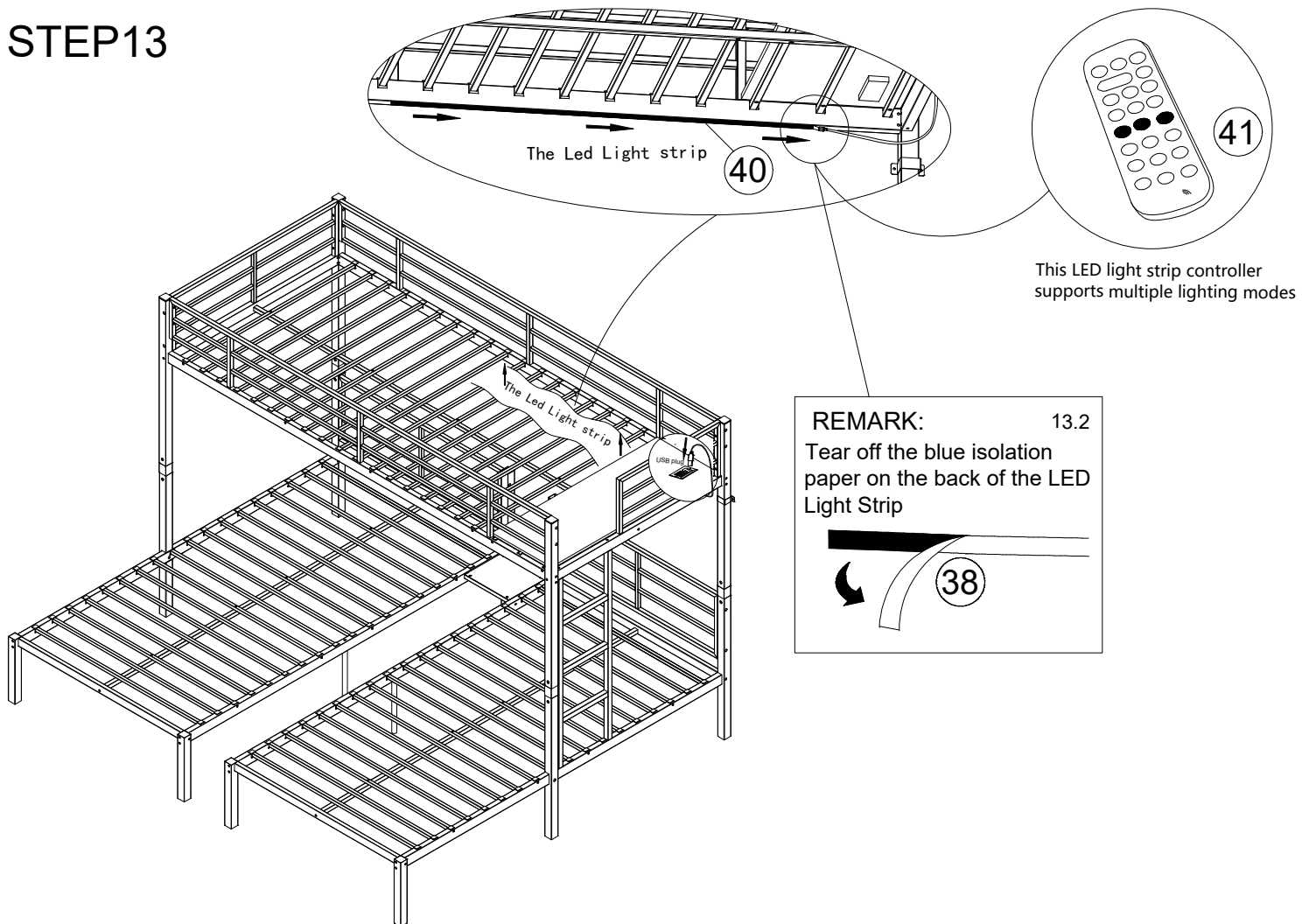
- <1> Place the hook to your desired location
- <2> Mark the hole location
- <3> Drill the holes with Diameter 4 x 30 mm in depth.
- <4> Inset the Anchor to the holes
- <5> Fasten the screws together with washers as illustration shown

STEP12

E		4x12 Screw	2	S		1
----------	--	------------	----------	----------	--	----------



STEP13



BUNK-BED ASSEMBLY INSTRUCTIONS

SAFETY WARNINGS AND GENERAL NOTES:

1. Follow the information on the warnings on the bunk bed end structure and on the carton. Do not remove the warning label from the bed.
 2. Always use the recommended size mattress support, or both, to help prevent the likelihood of entrapment or falls.
 3. Do not allow children under 6 years of age to use the upper bunk.
 4. Periodically check and ensure the guardrail, ladder and other components are in their proper position, free from damage, and all connectors are tight.
 5. Do not allow horseplay on or under beds.
 6. Always prohibit jumping on the upper bunk.
 7. Prohibit more than one person on the upper bunk.
 8. Always use the ladder for entering and leaving the upper bunk.
 9. Do not use substitute parts. Contact the manufacturer or dealer for replacement parts.
 10. Use of a night-tight may provide added safety precaution for a child using the upper bunk.
 11. Always use guardrails on both long sides of the upper bunk.
 12. If the bunk bed will be placed next to a wall, the guardrail that runs the full length of the bed should be placed against the wall to prevent entrapment between the bed and the wall.
 13. The use of water or flotation mattresses is prohibited.
- STRANGULATION HAZARD**—Never attach or hang items to any part of the bunk bed that are not designed for use with the bed.
14. Keep these instructions for future reference.
 15. We recommend assembling your bunk bed on the shipping carton to protect your floor or carpet.
 16. Be certain all staples are out of the box before beginning assembly on the shipping carton.
 17. USE ONLY MATTRESSES WHICH ARE AS THE TABLE BELOW ON UPPER AND ON LOWER BUNKS.

Bed type	Length	Width	Thickness
Twin Standard	74" - 75"	38 ½"	6"

18. SURFACE OF MATTRESS MUST BE AT LEAST 5" (127MM) BELOW THE UPPER EDGE OF GUARDRAIL