

WARRANTY

We strive to offer high-quality products, and we also try our best to satisfy each and every customer that orders from us with product or service as needed.

Each customer must provide a record of their order such as the order number, or item receipt for any items that are out of the warranty period you may also still receive replacement parts by purchasing them with our company if they are available.

**Are you having difficulty
with assembly? Missing parts?**

Please contact us : info@firstopintl.com

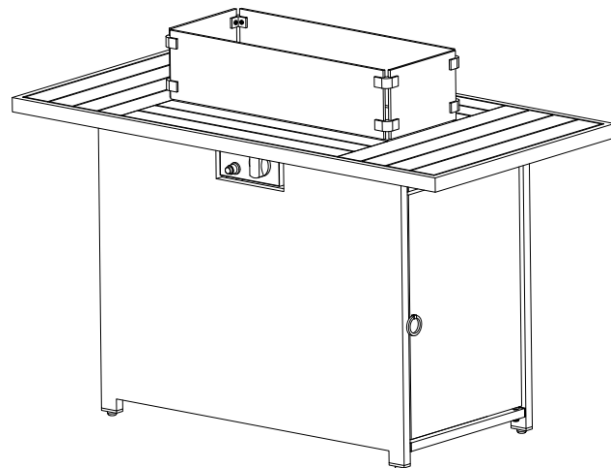
telephone No.:5627813327

send email with your order No. to

**For return, please check the return policy with
the retailer or market place you bought from.**

Appreciate your purchasing from us.

Pop up your life by our goods!

The logo for Wixe, featuring the word "wixe" in a bold, lowercase, sans-serif font. The letter "i" is stylized with a grey dot and a grey shadow to its right.

ITEM NO. FOP-ODF518882701

NOTE:

This brochure contains IMPORTANT safety info. Please read and keep for future reference.

MAINTAINANCE AND WARNING

WARNING BEFORE ASSEMBLY

-Retain this manual for future reference

⚠ WARNING:

Improper installation, adjustment, alteration, service or maintenance can cause injury or property damage. Read the installation, operating and maintenance instructions thoroughly before installing or servicing this equipment.

⚠ DANGER

CARBON MONOXIDE HAZARD

This appliance can produce carbon monoxide which has no odour.

Using it in an enclosed space can kill you.

Never use this appliance in an enclosed space such as a camper, tent, car or home.



⚠ WARNING:

Do not store or use gasoline, or other flammable vapors and liquids, in the vicinity of this or any other appliance.

An LP-cylinder not connected for use shall not be stored in the vicinity of this or any other appliance.

⚠ DANGER:

FIRE OR EXPLOSION HAZARD

If you smell gas:

- Shut off gas to the appliance.
- Extinguish any open flame.
- If odor continues, leave the area immediately.
- After leaving the area, call you gas supplier or fire department.

Failure to follow these instructions could result in fire or explosion, which could cause property damage, personal injury, or death.

If this appliance is not in use, the gas must be turned off at the supply cylinder. Indoor storage of this appliance is permissible only if the cylinder is disconnected and removed from the appliance.





The gas pressure regulator provided with this appliance must be used, and must be the same model as supplied with the unit.





The cylinder supply system must be arranged for vapor withdrawal.

Cylinders used with this unit must have a collar to protect the cylinder valve.

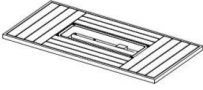

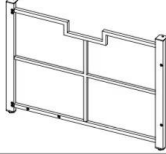
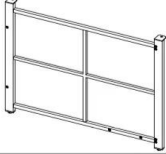




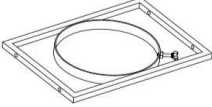


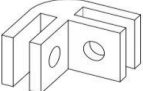
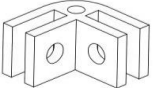
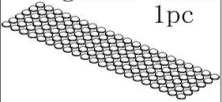
An approved LP-Cylinder stabilizer, such as the stabilizer ring included, must be used when the appliance is in use.

PARTS LIST

1	Bolt 	M6*15	12
3	Bolt 	M6*35	5
5	Washers 	φ6.5*14*3	1
7		Hex Wrench	1

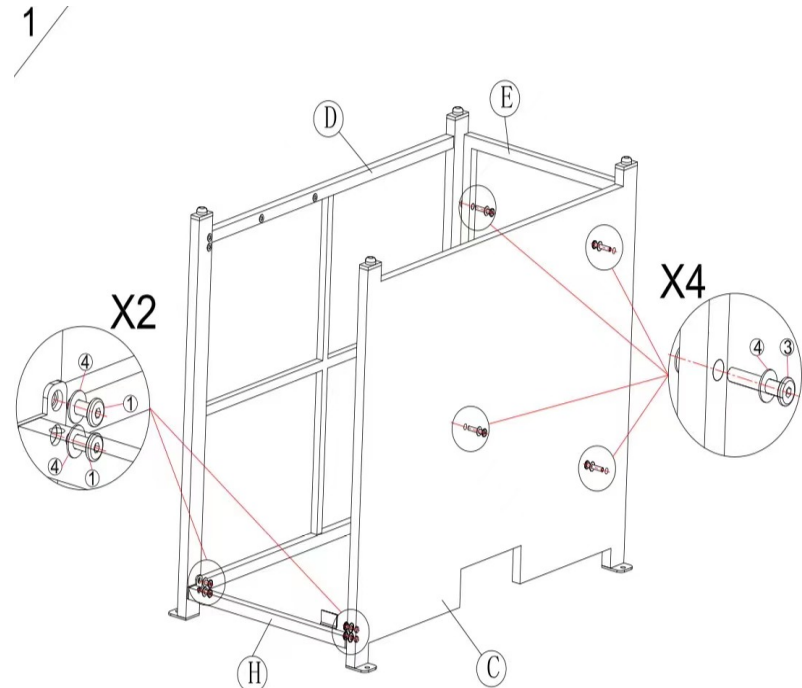
2	Bolt 	M6*30	4
4	Washer 	φ6*12	21
6		Hex Wrench	1
8	Screw 	M8*7	16

HARDWARE and TOOL LIST

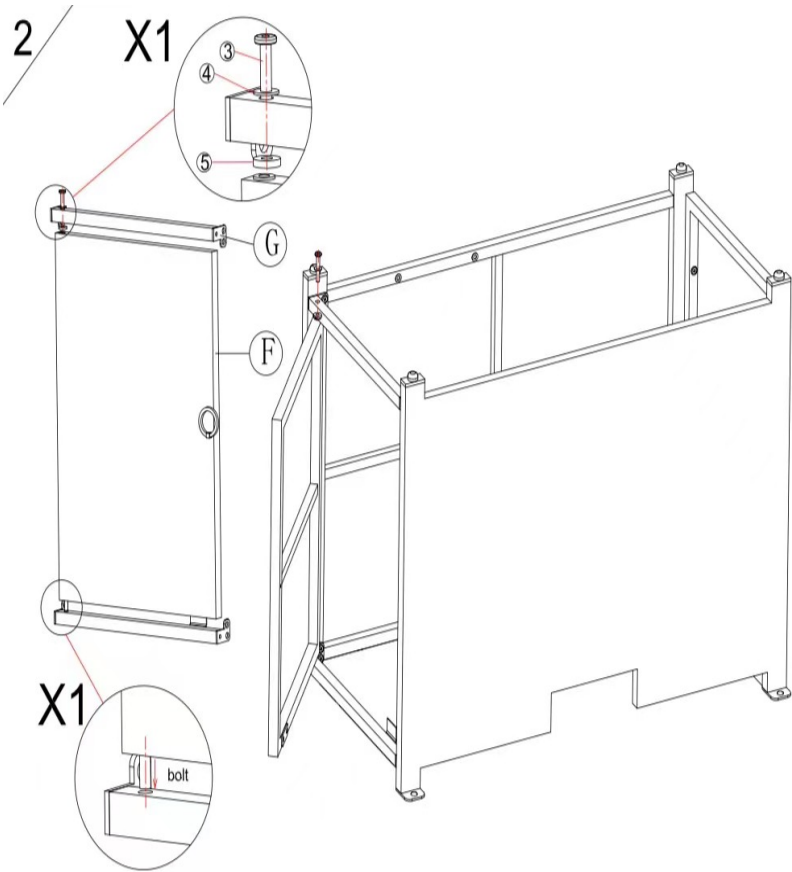
			
A x1	B x1	C x1	D x1
			
E x1	F x1	G x1	H x1
			
I x1	J x2	K x2	L x4
			
Q x4	R x1		

Be sure to check all packing materia fit the packing list. Carefully for small parts, which may have come loose inside the carton during shipment.

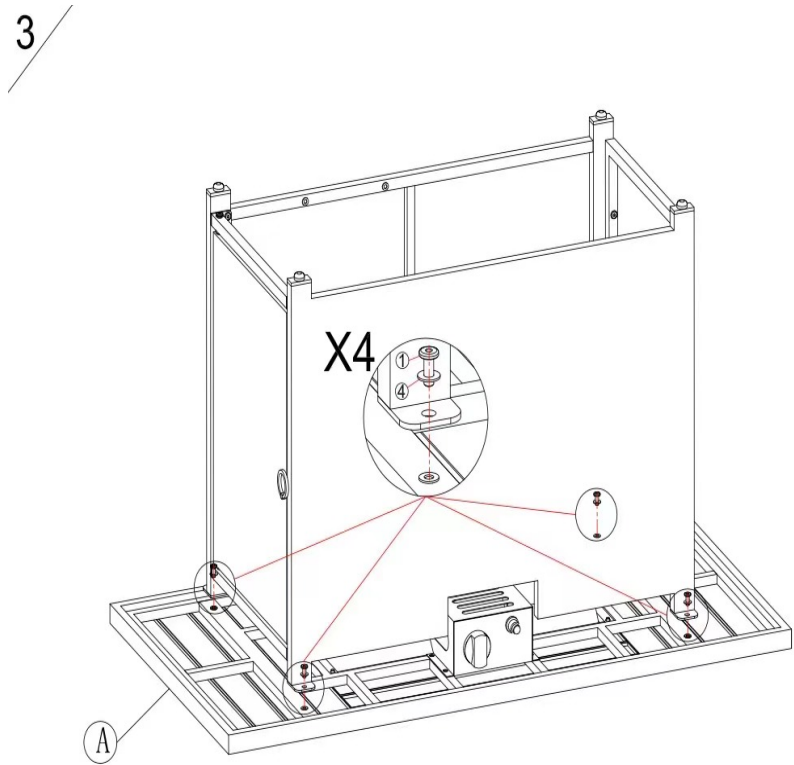
ASSEMBLY INSTRUCTIONS



STEP 1: Use side panels E to connect and assemble the overall frame.

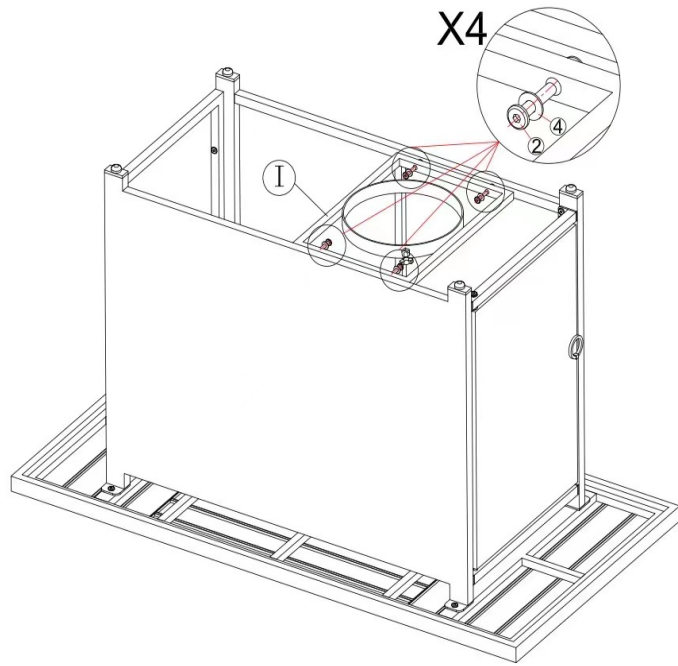


STEP 2: Use connecting rods to secure the door to the frame.



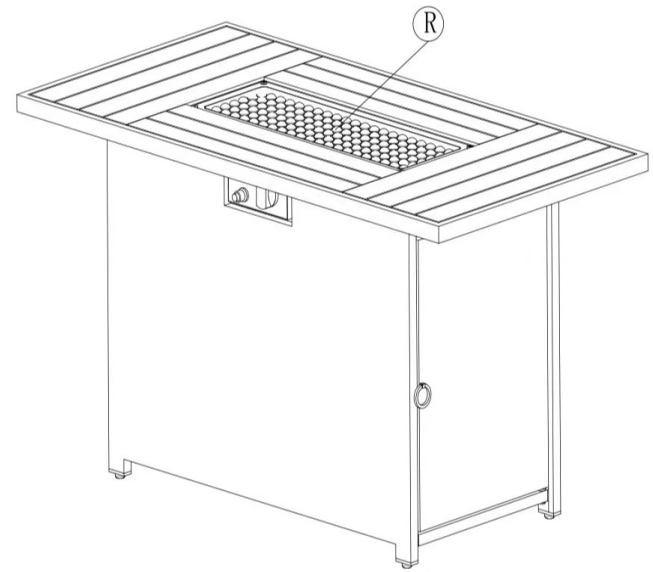
STEP 3: Fix the frame to the table.

4

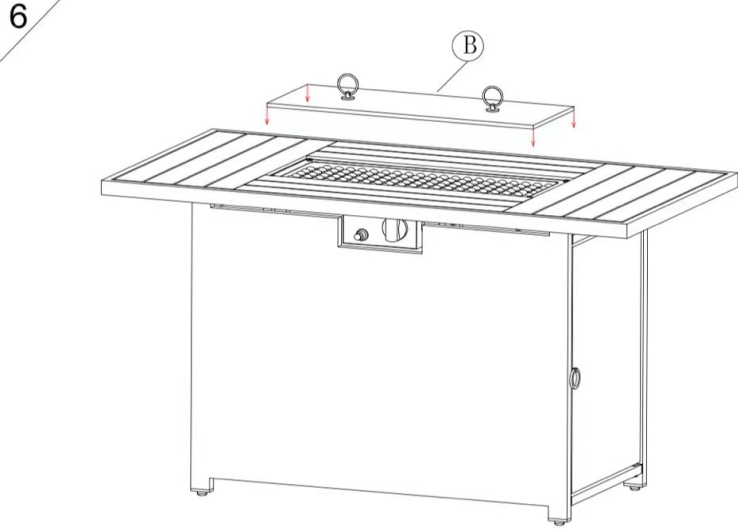


STEP 4: Install the cylinder holder on the frame.

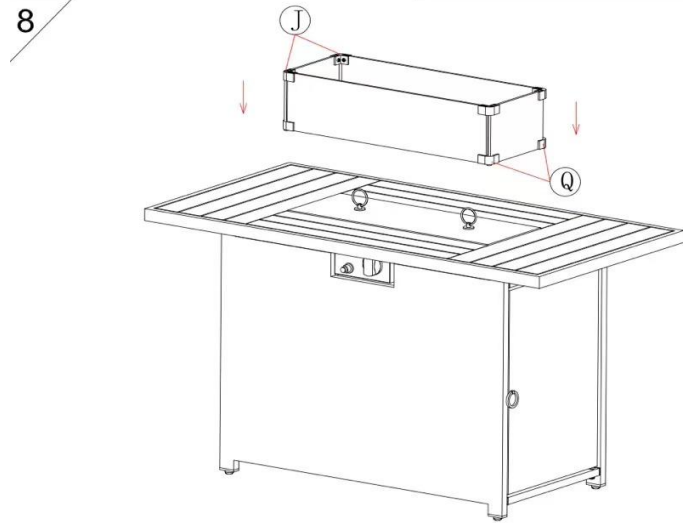
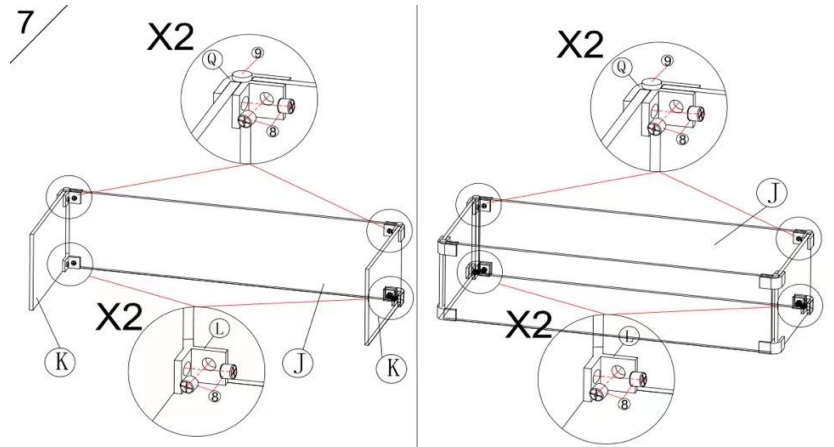
5



STEP 5: Place the glass stone R in the table stove.



STEP 6 :Place Cover B on the stove plate.



STEP 7 & 8 :Combine a long glass and a short glass as shown above, and fix the two pieces of glass using glass clasp L and Q, and then use screws to fix the glass clasp. Turn the side of the glass with the gasket down and place the glass cover on the table top.