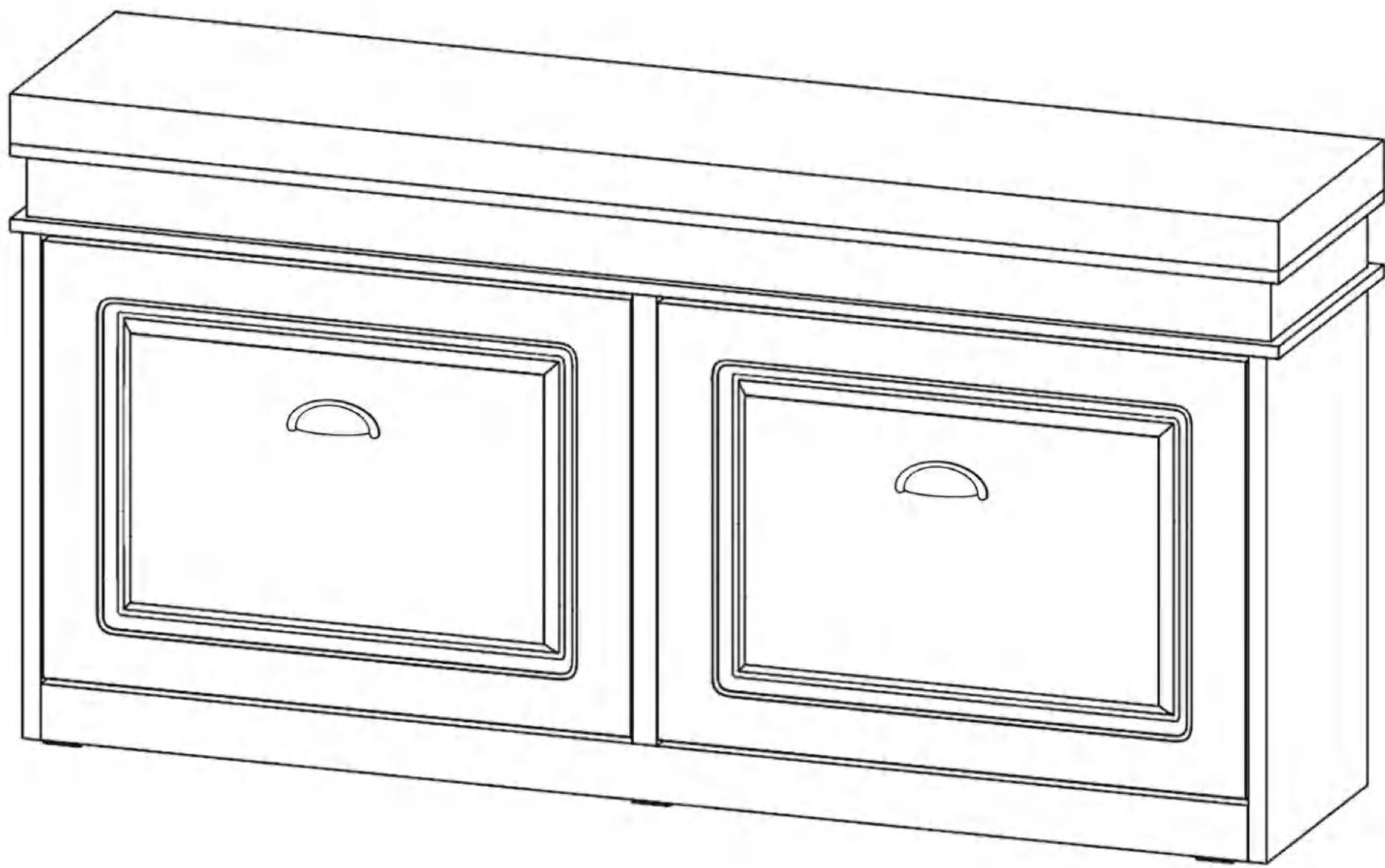
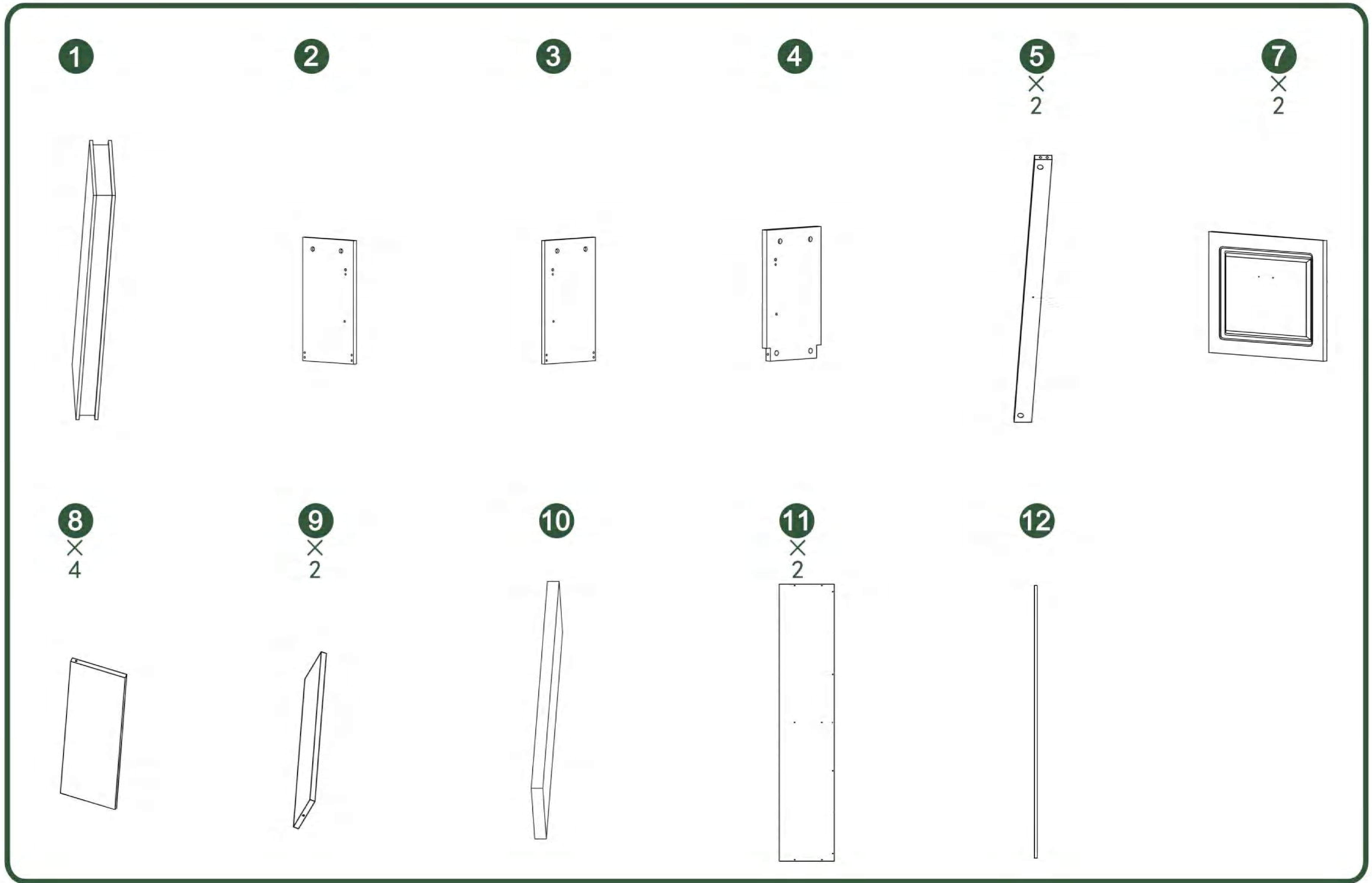
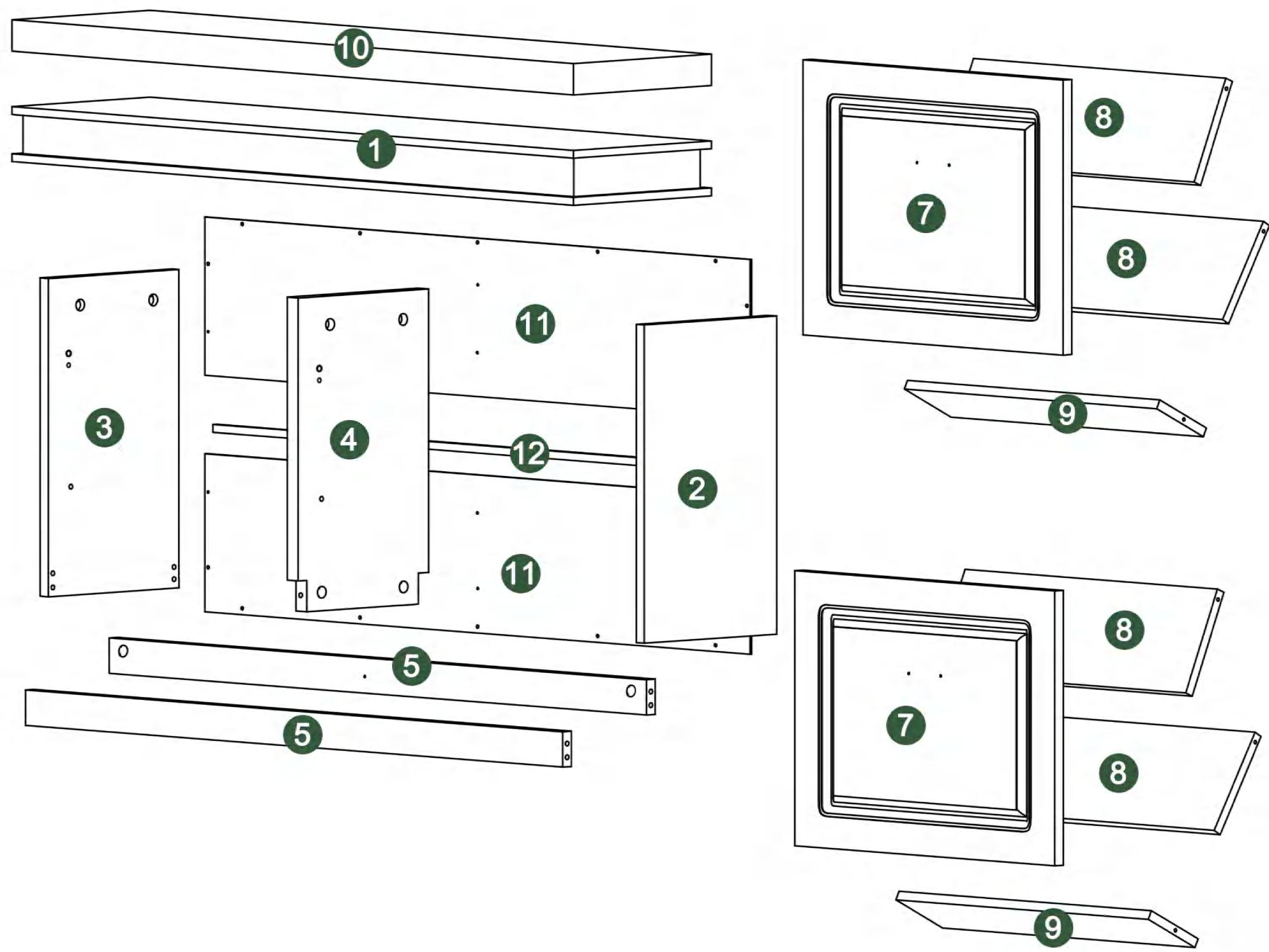


Installation & Assembly

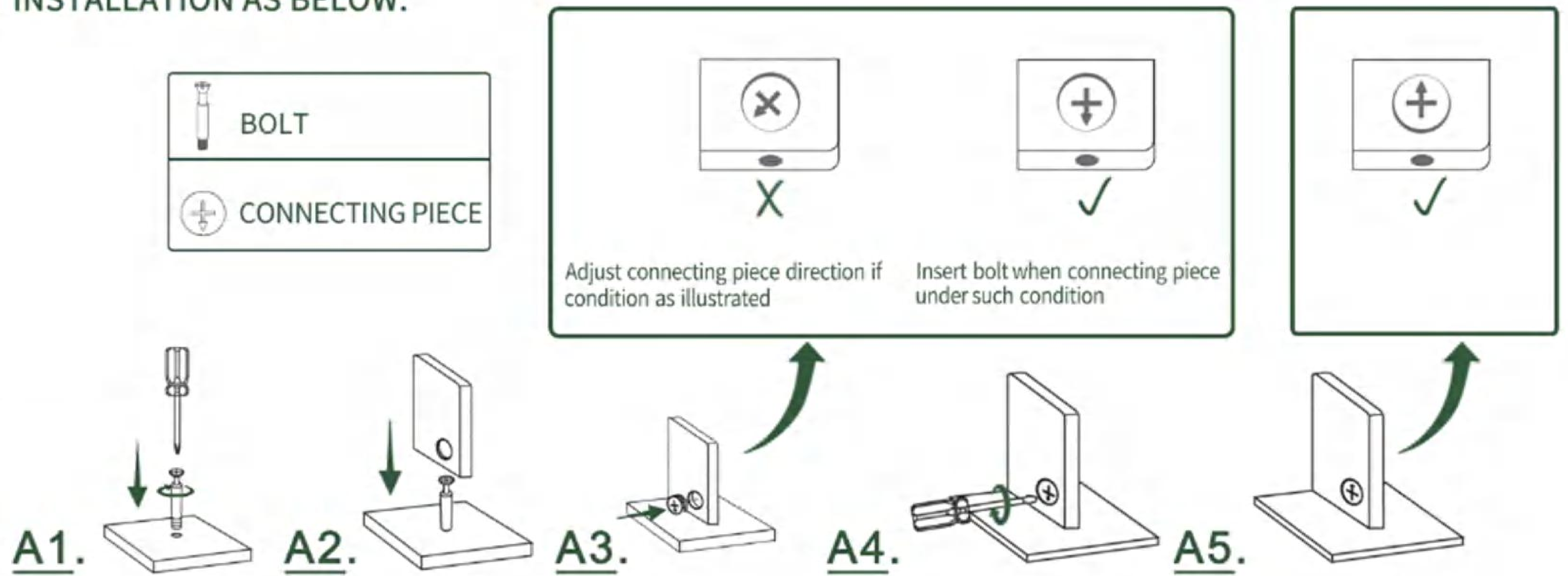


TOOLS:


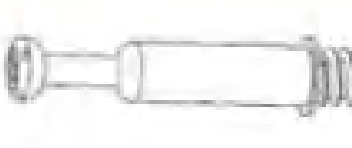




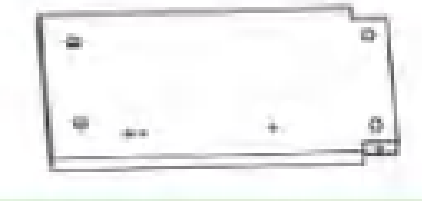


BOLT INSTALLATION AS BELOW:

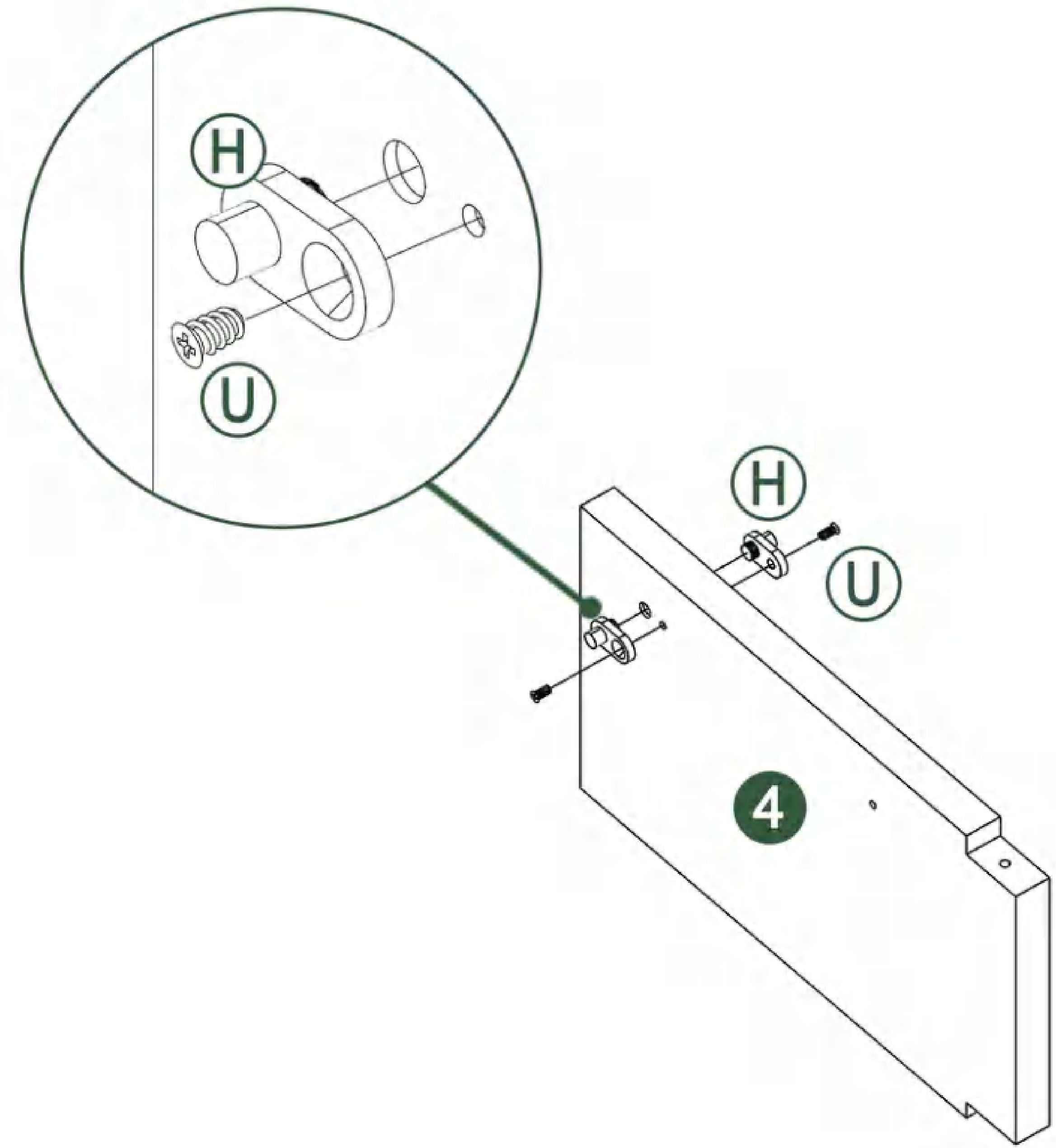
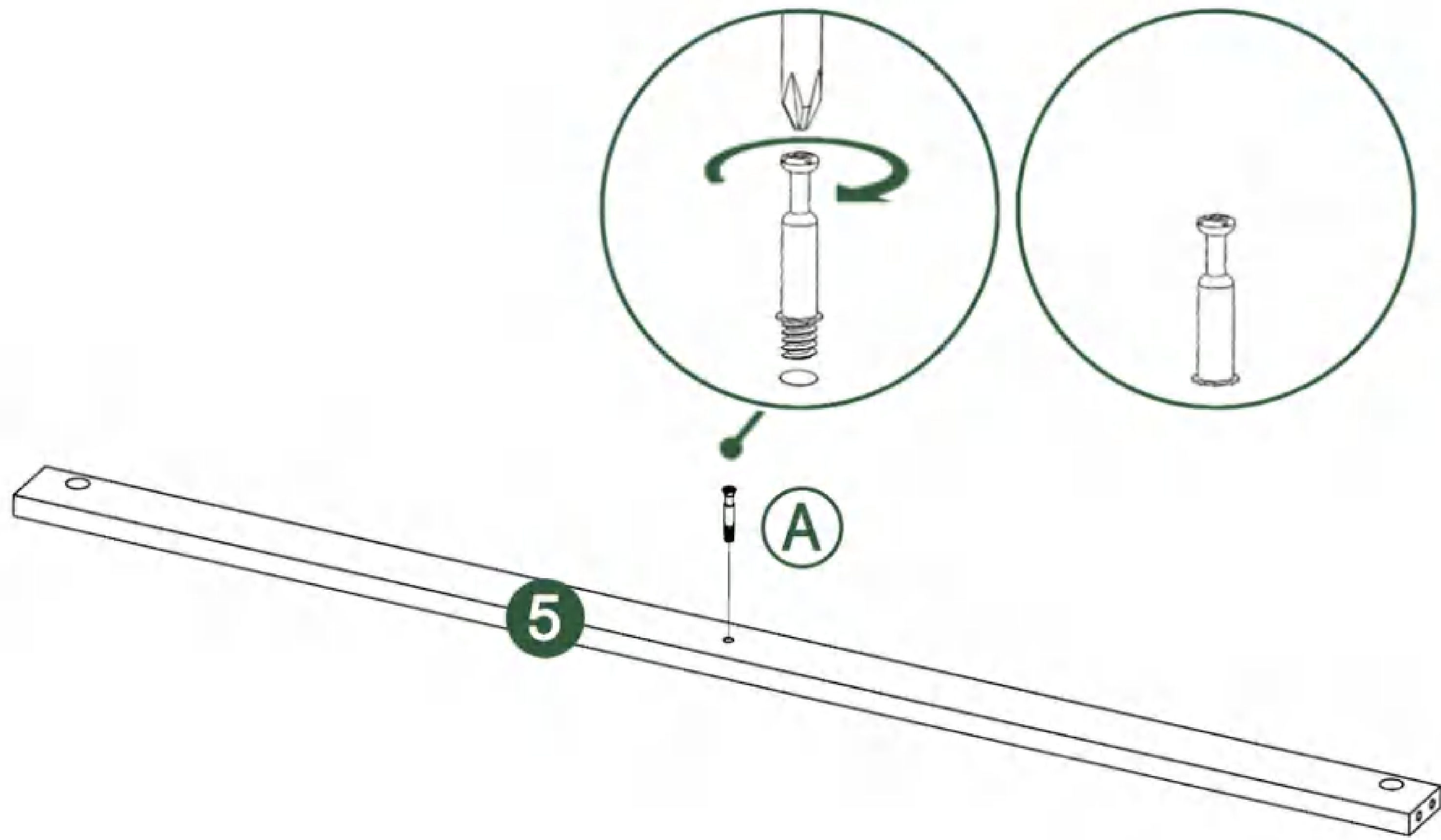


1(X2).


5		×2
A		×2

2.

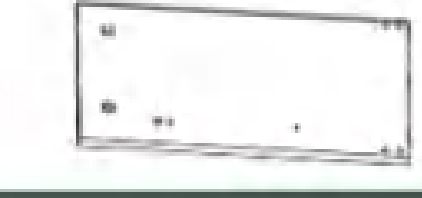




4		×1
H		×2
U		×2

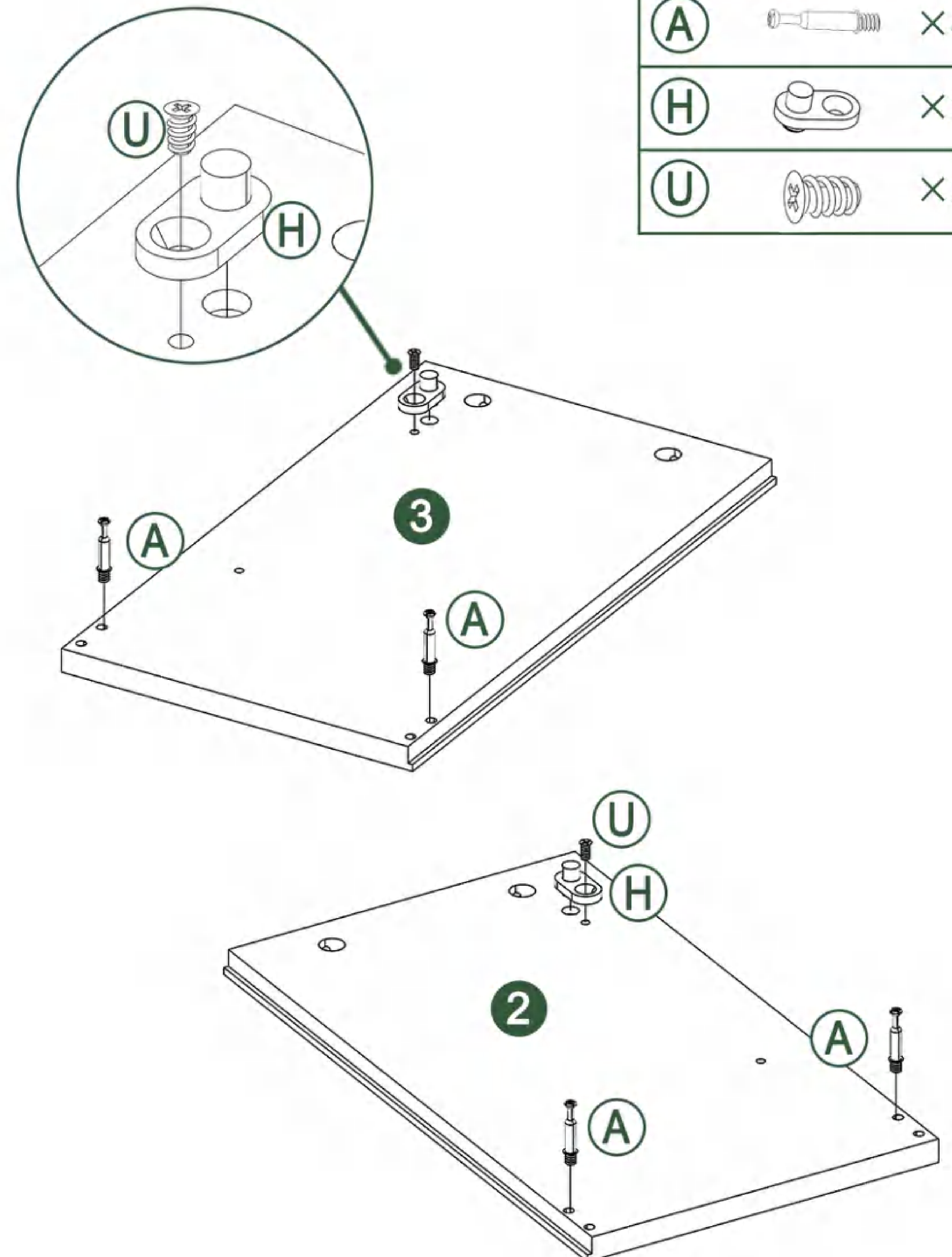
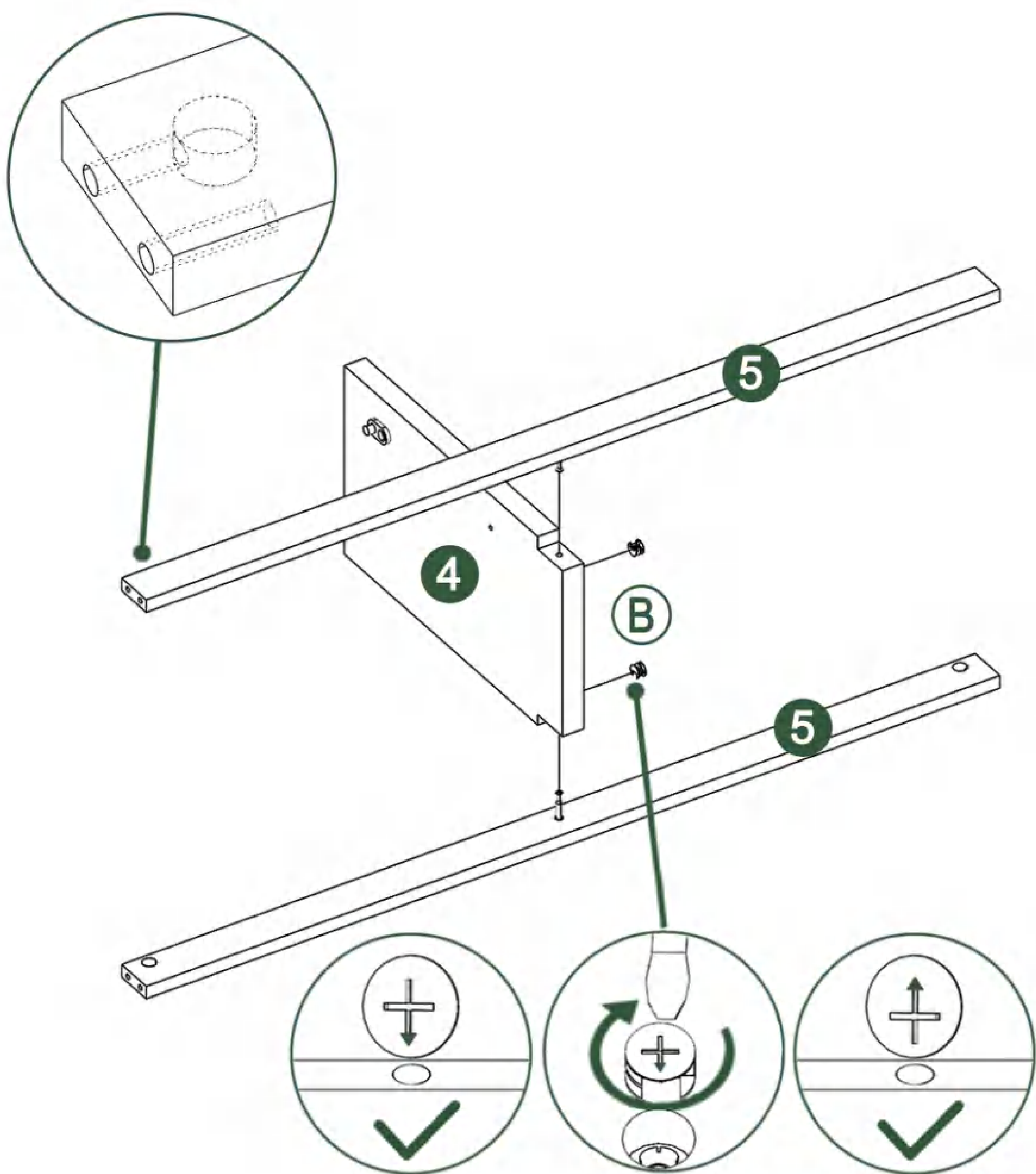


3.


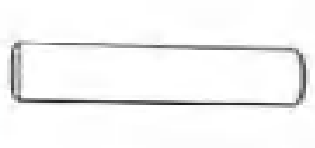
B		×2
---	---	----

4.


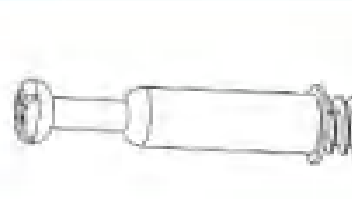
3		×1
2		×1
A		×4
H		×2
U		×2

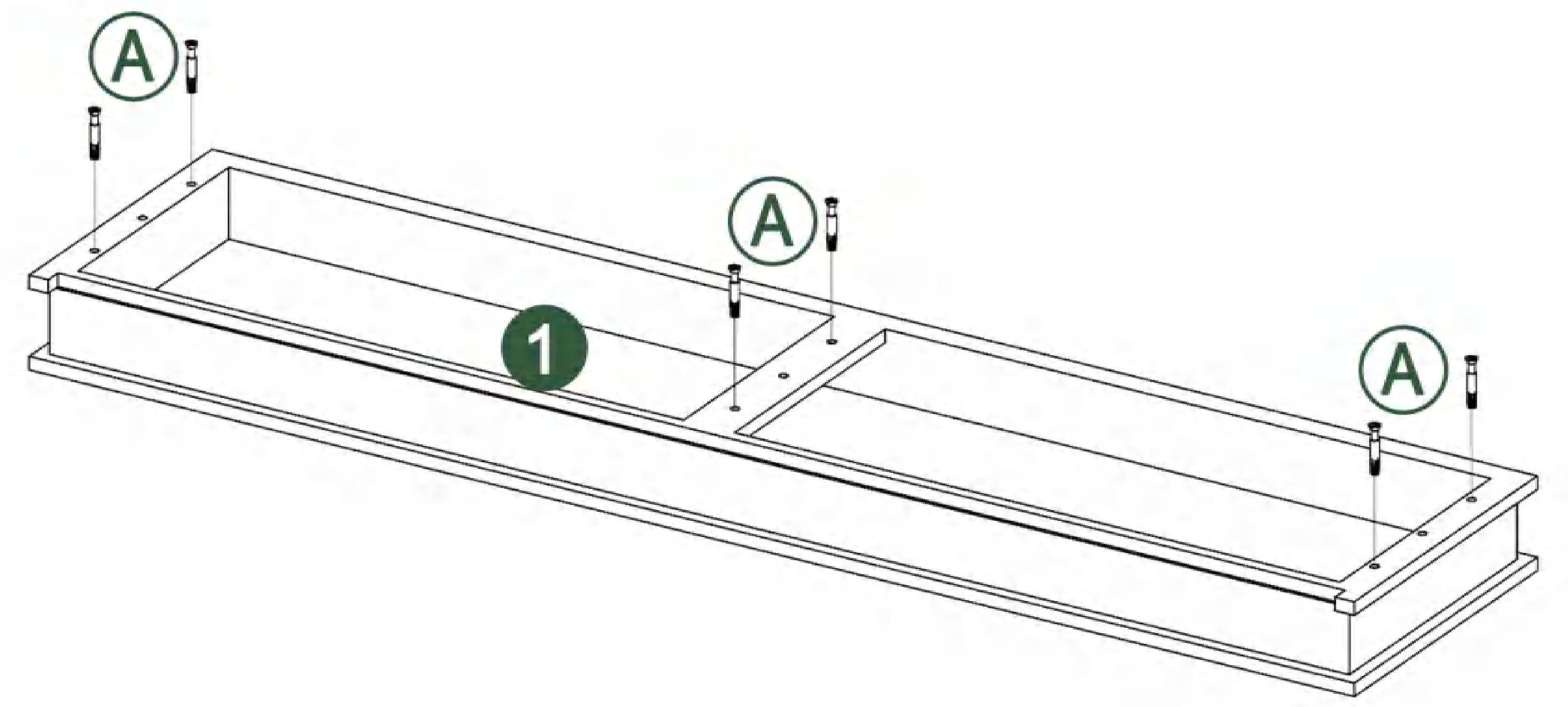
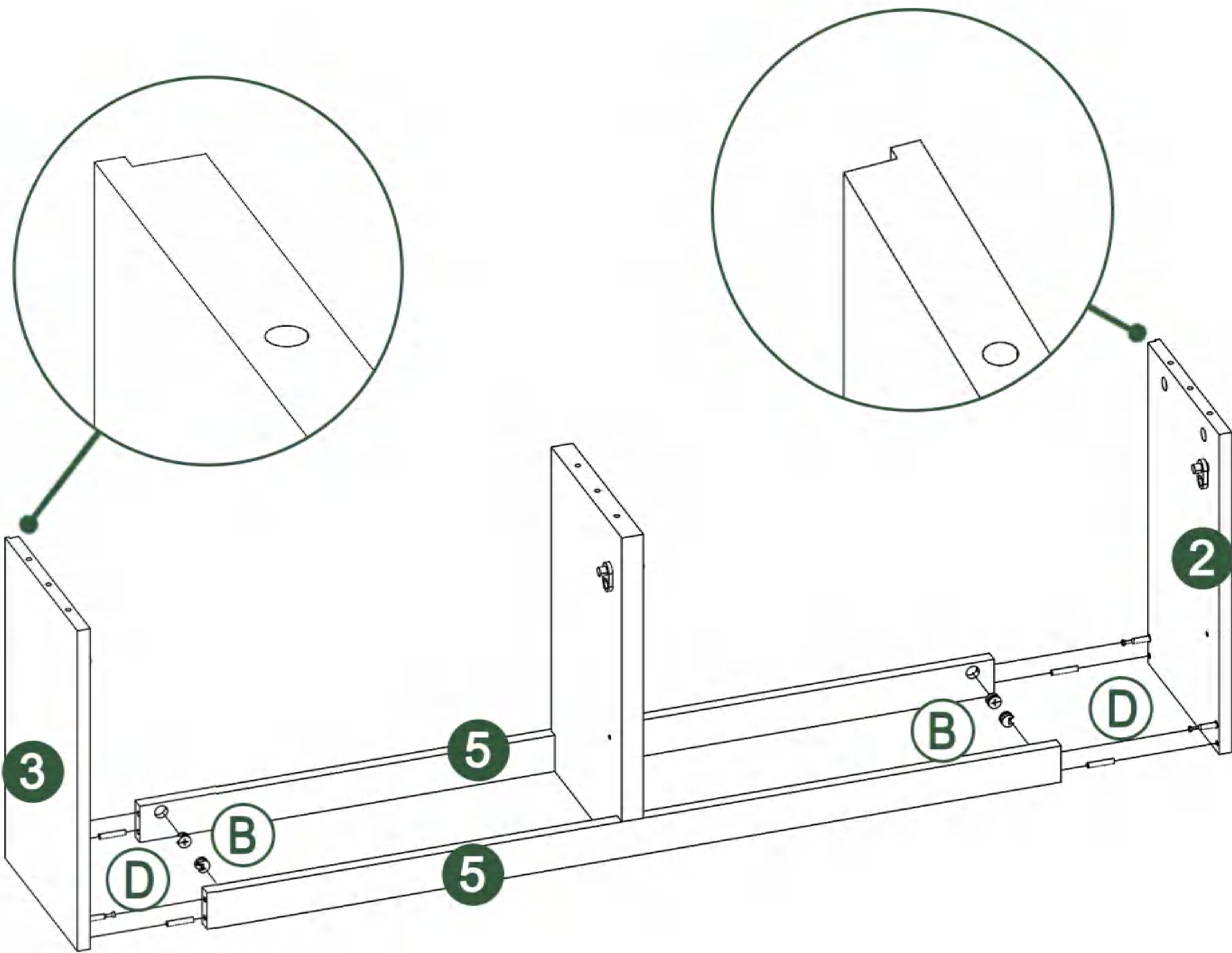


5.


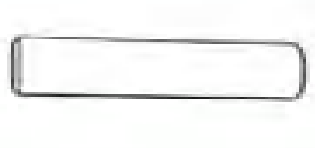
(B)		×4
(D)		×4

6.

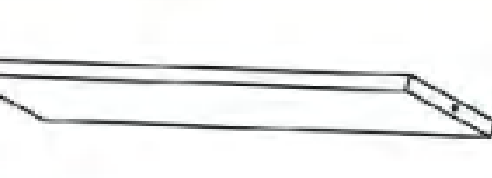

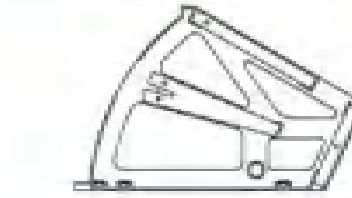

(1)		×1
(A)		×6

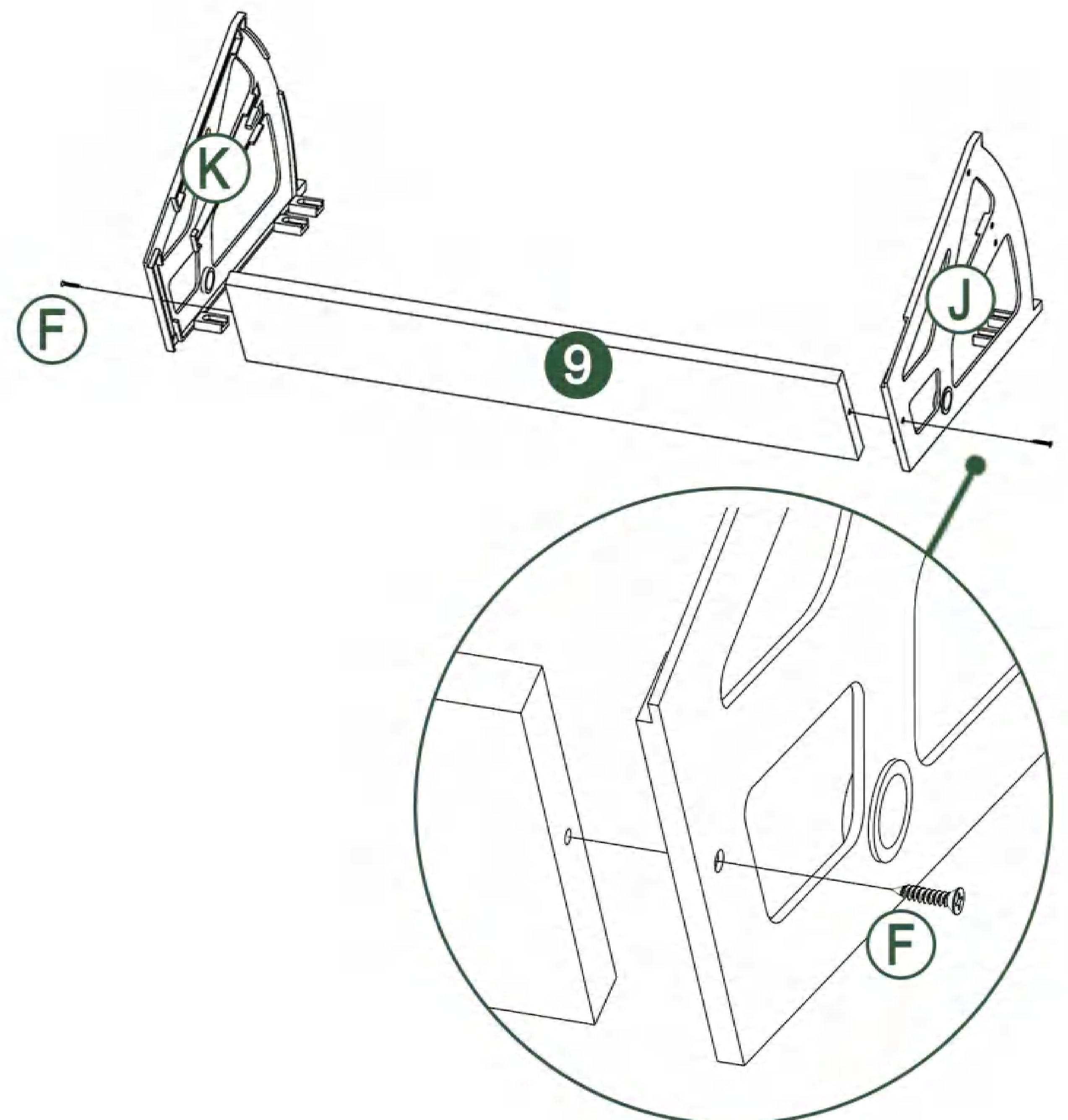
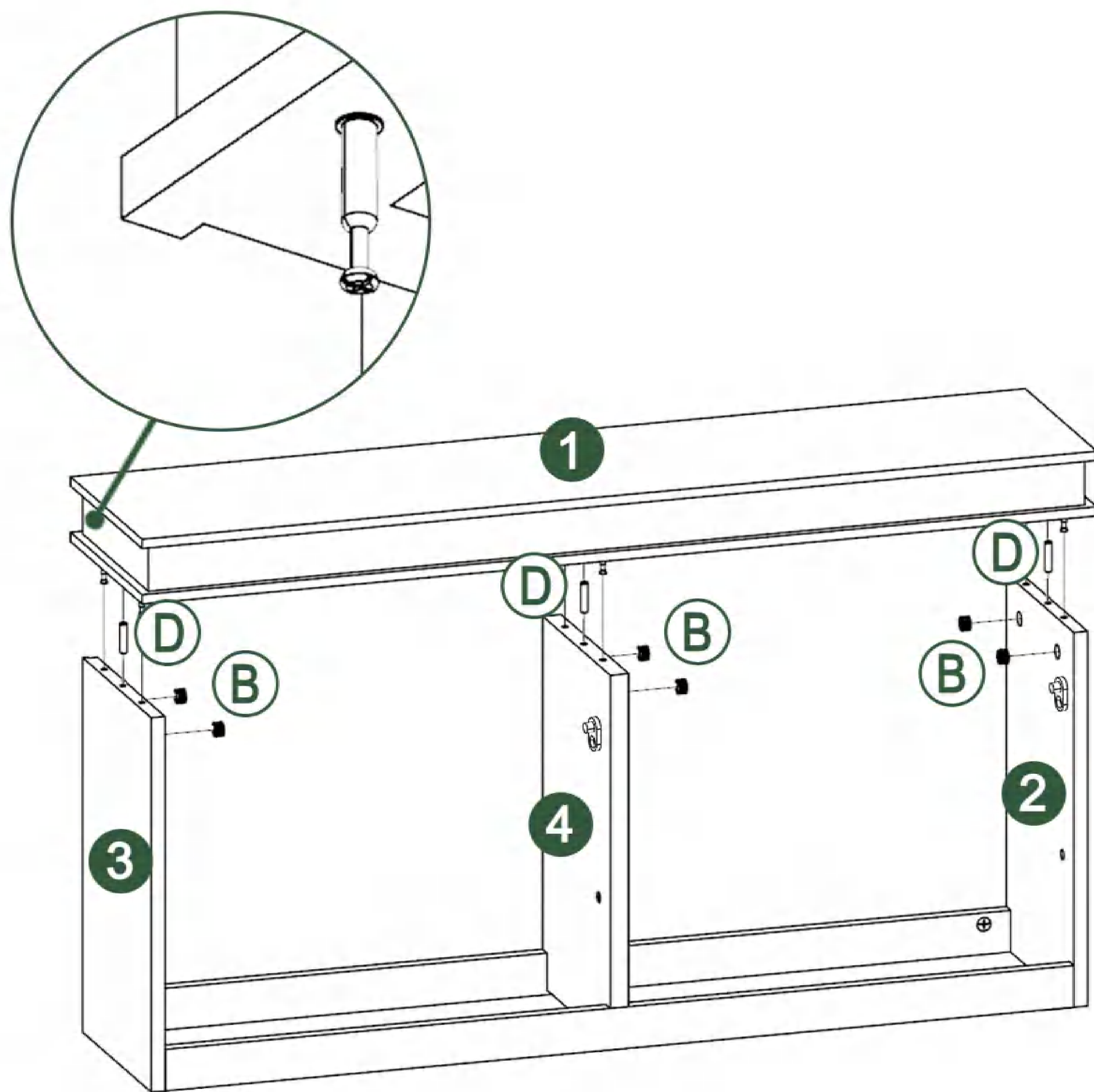


7.

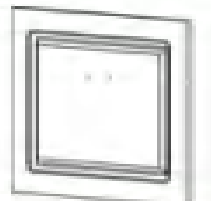

(B)		×6
(D)		×3

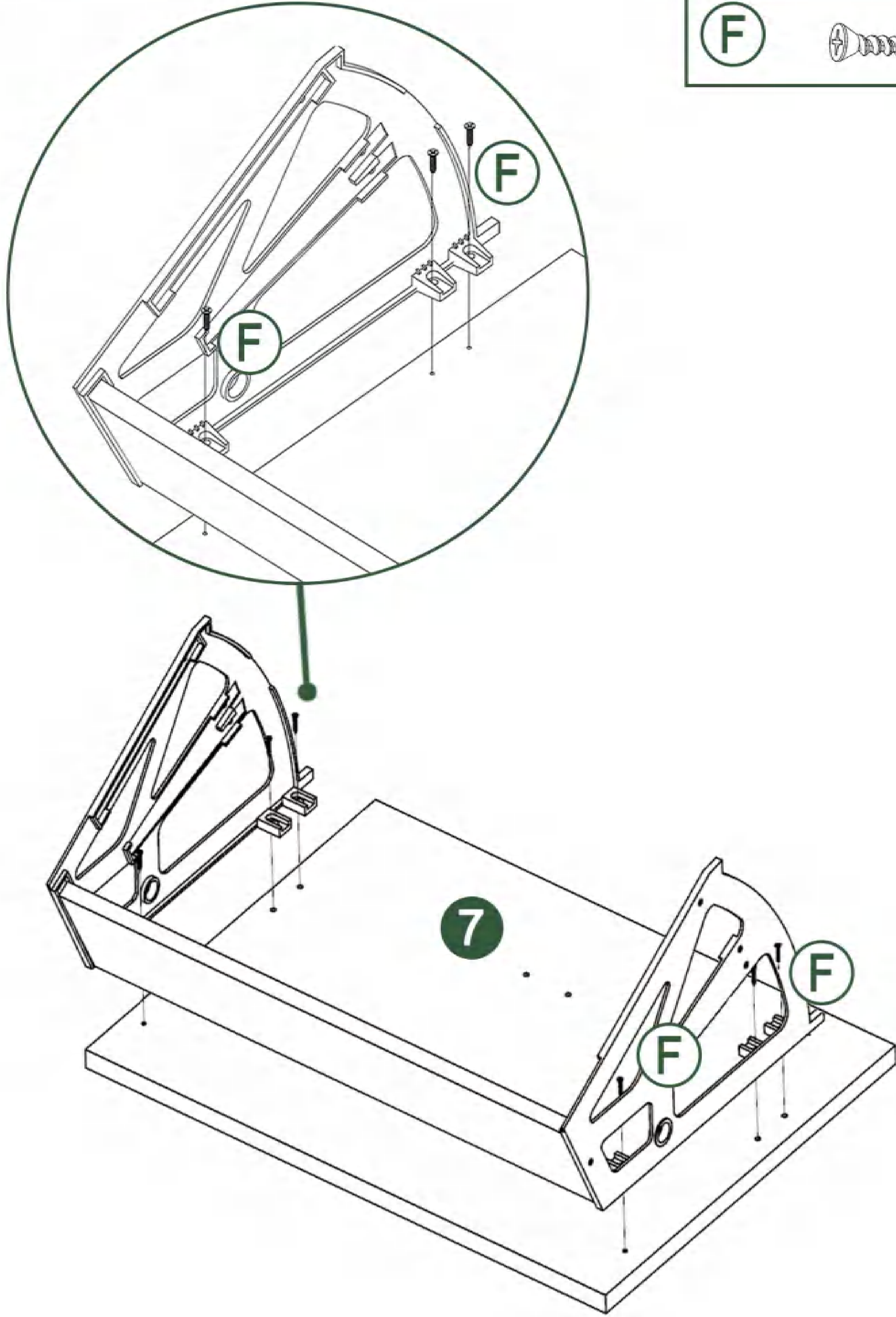
8(X2).

(9)		×2
(F)		×4
(J)		×2
(K)		×2

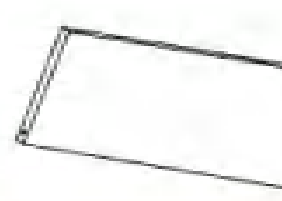



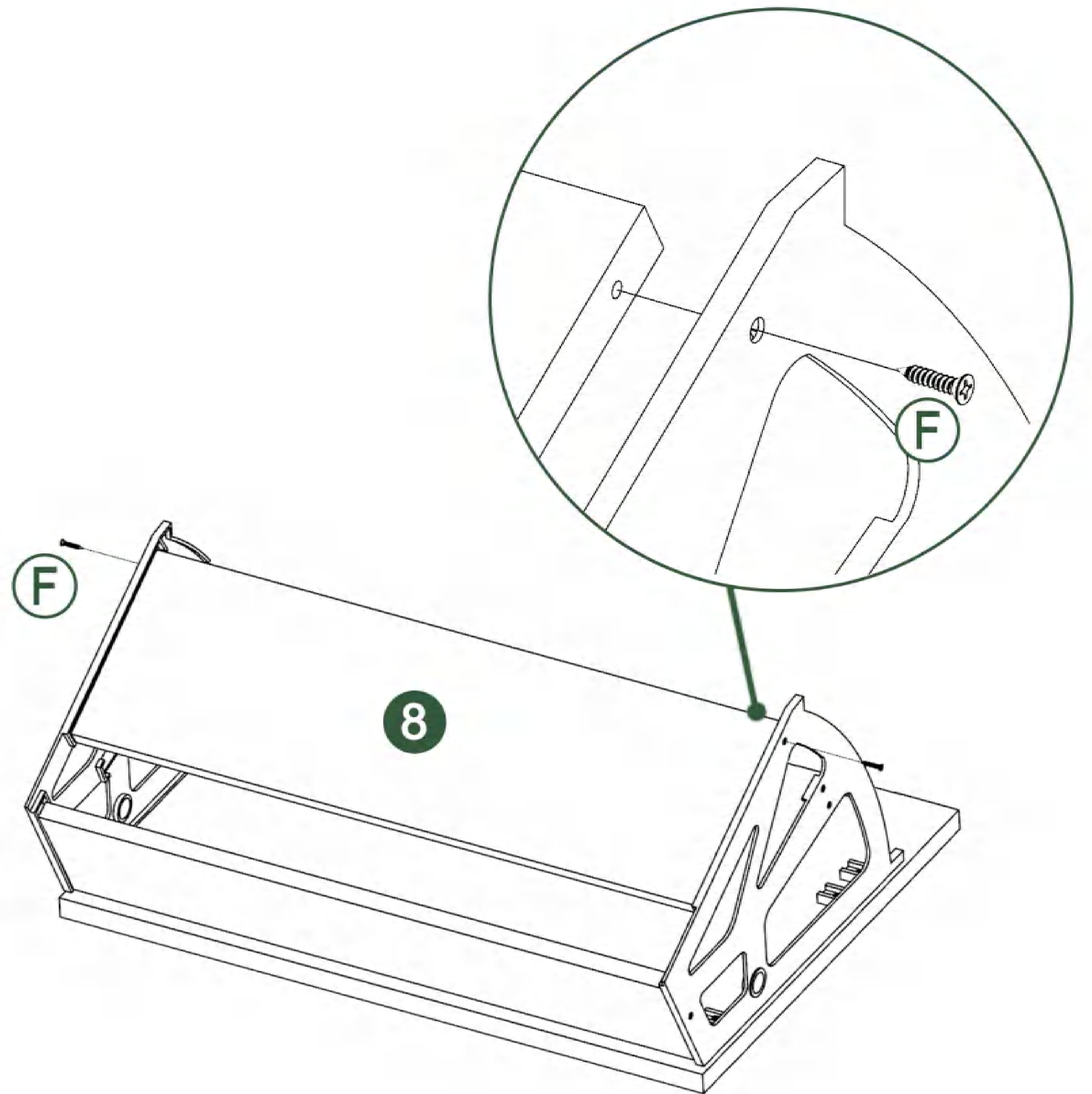
9(X2).

7		×2
F		×12

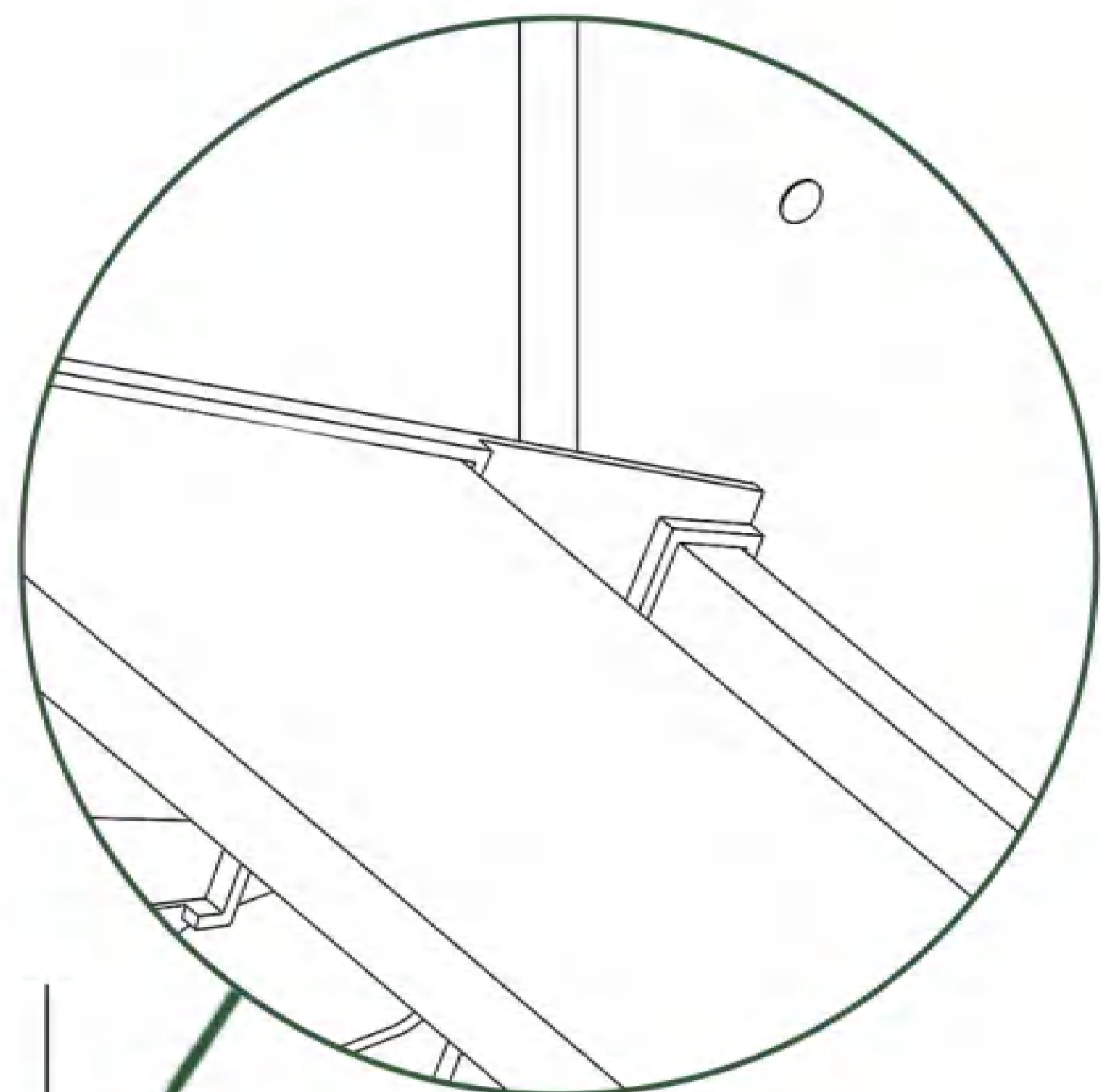


10(X2).

8		×2
F		×4

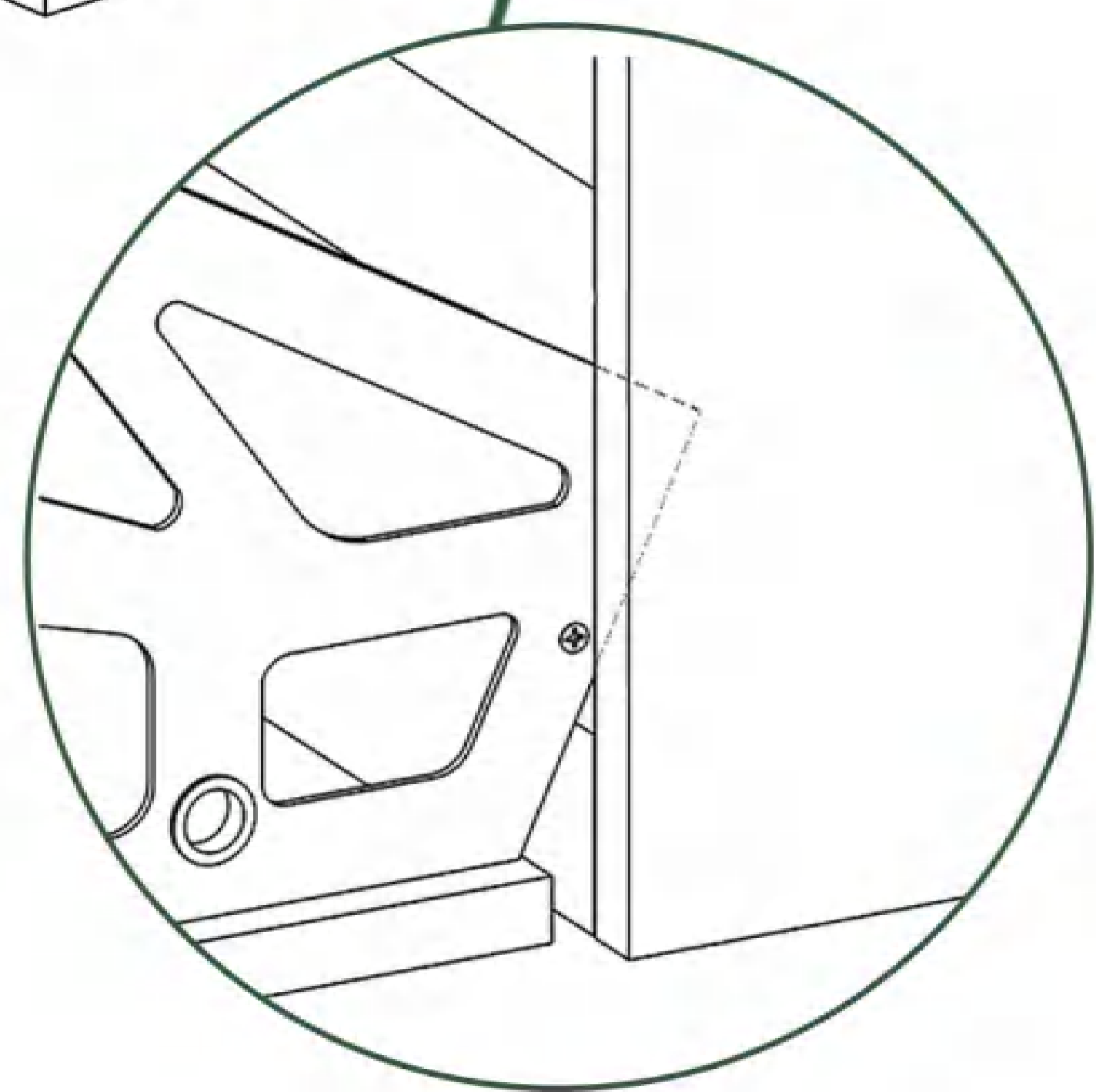
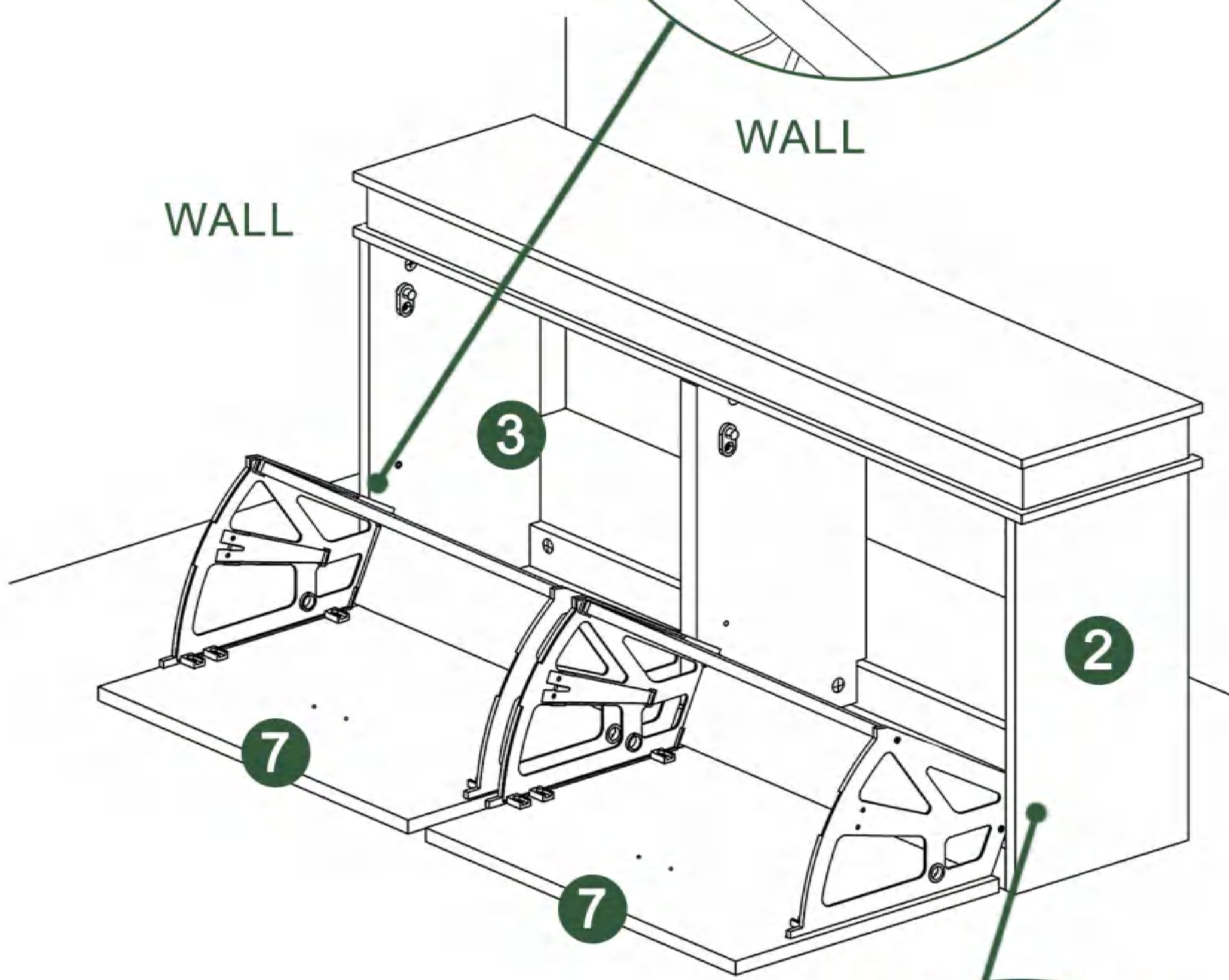


11.



WALL

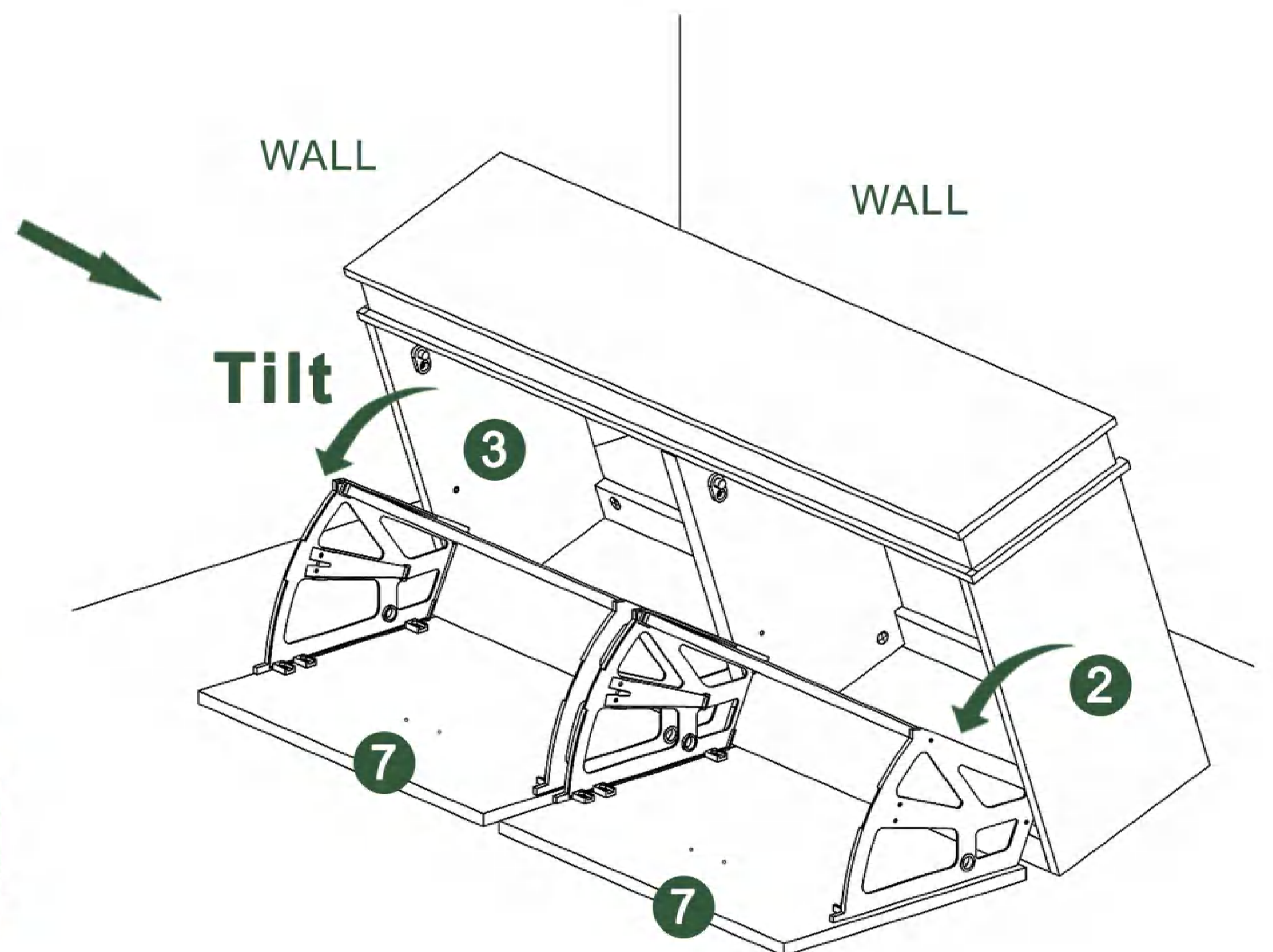
WALL





WALL

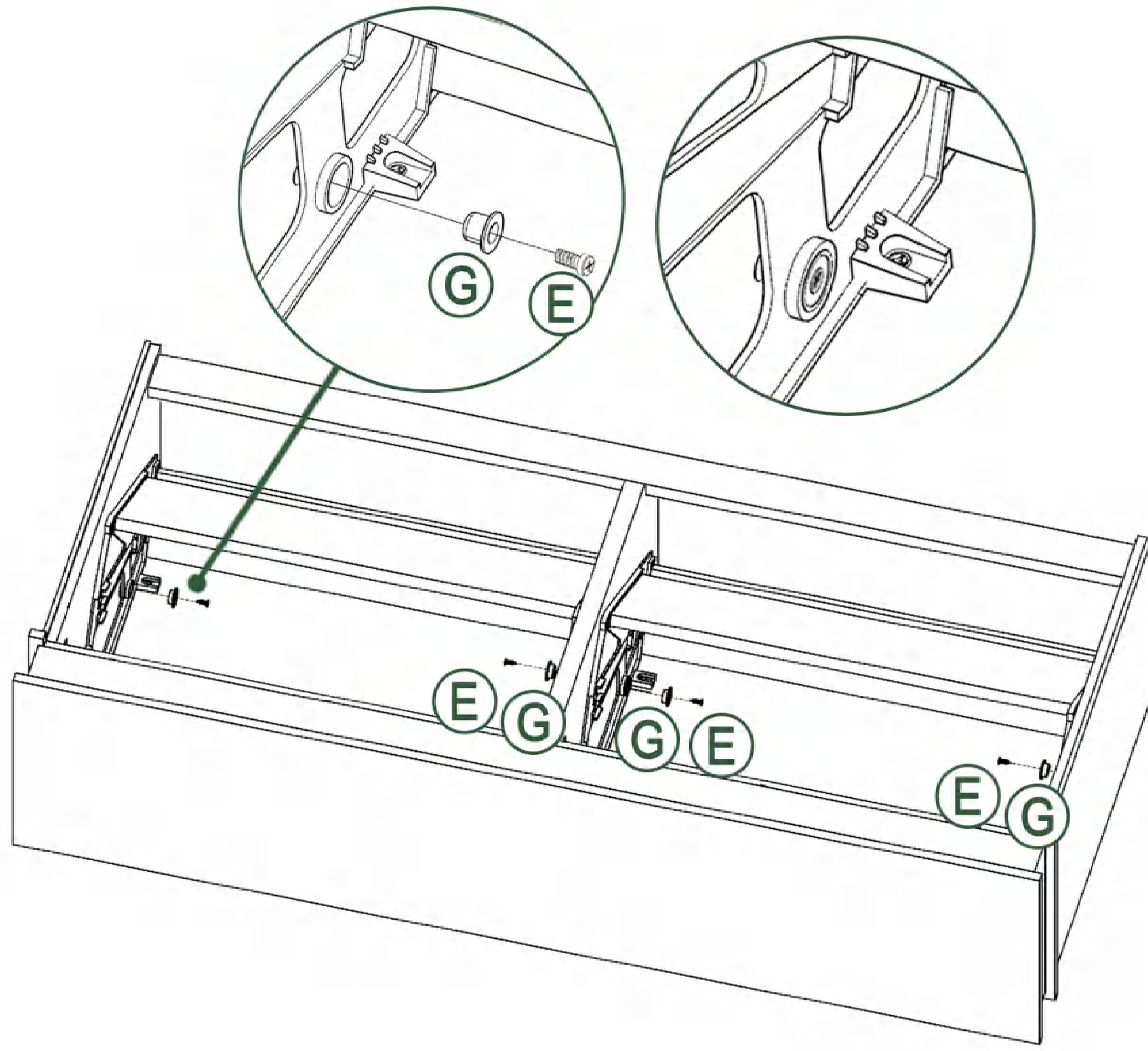
WALL

Tilt

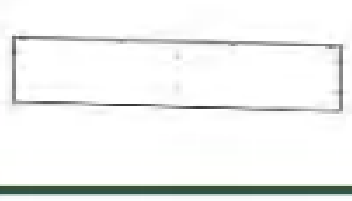
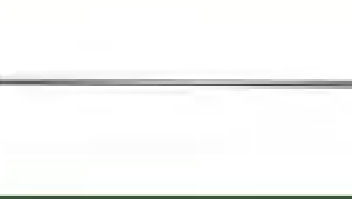


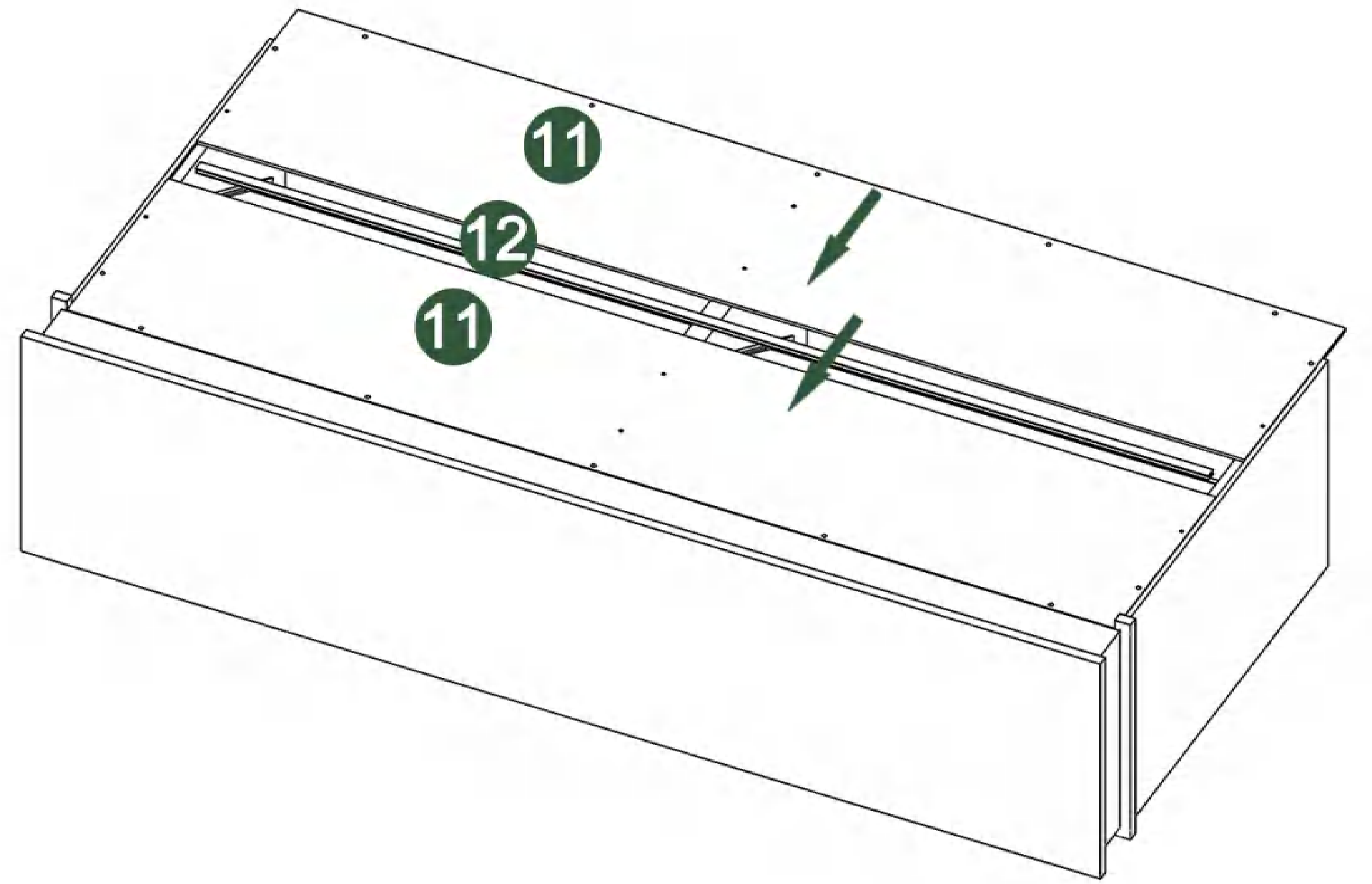
12.

G		×4
E		×4



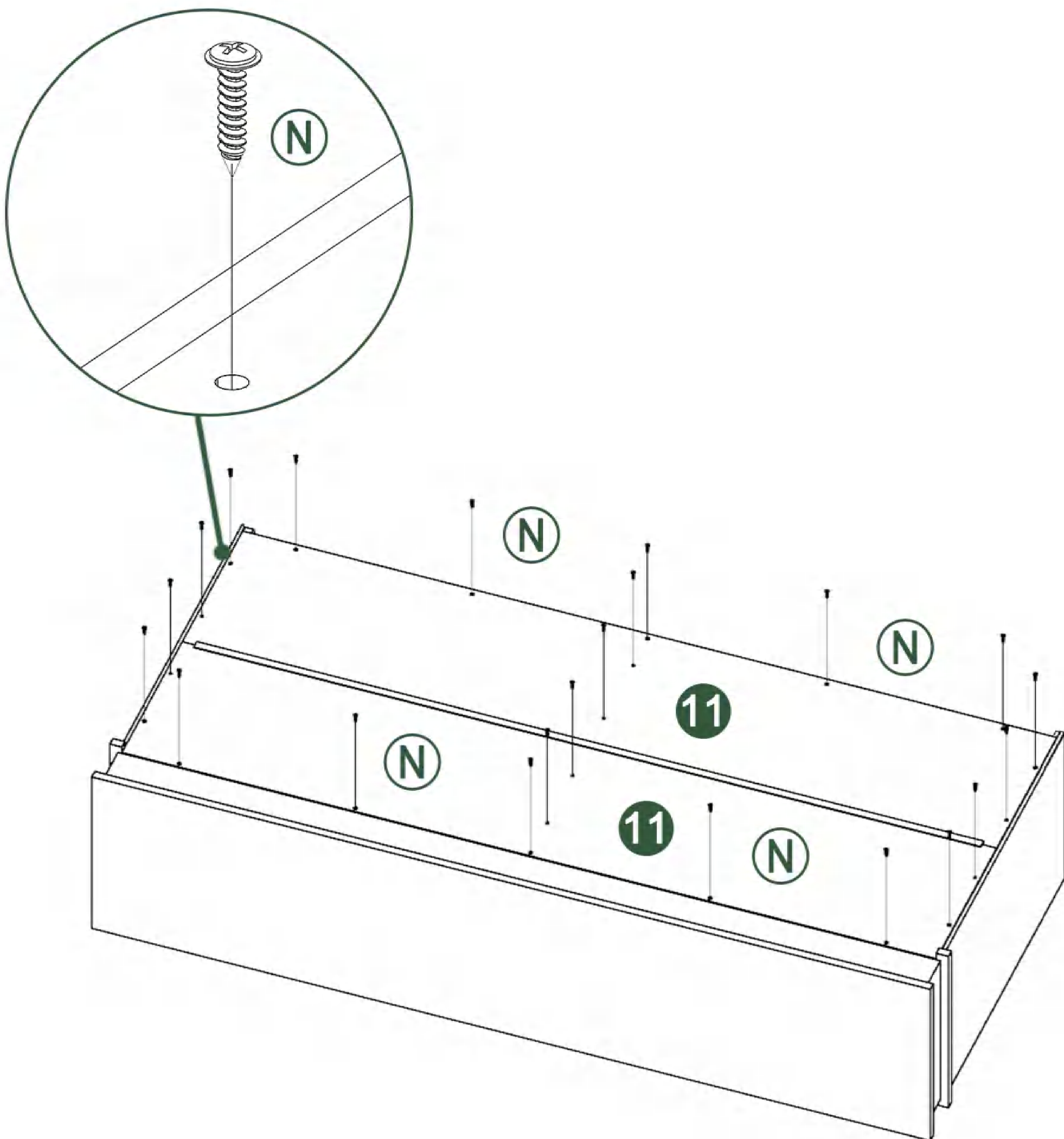
13.

11		×2
12		×1




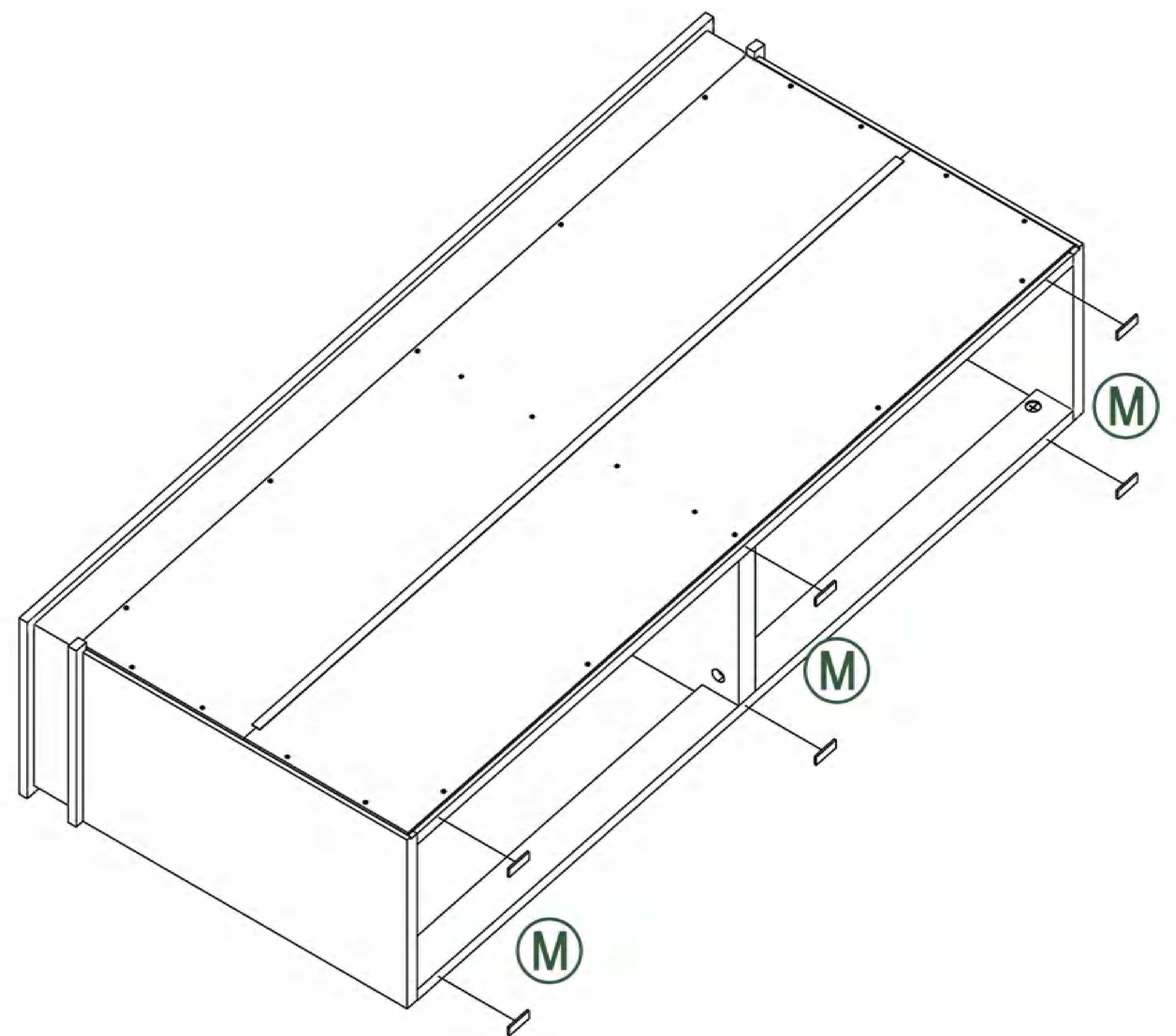
14.

N		×22
---	--	-----

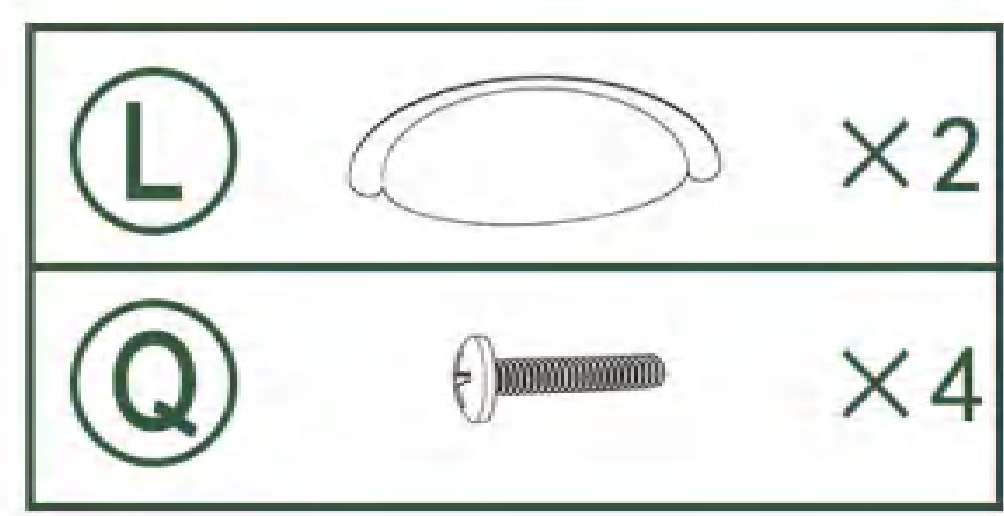


15.

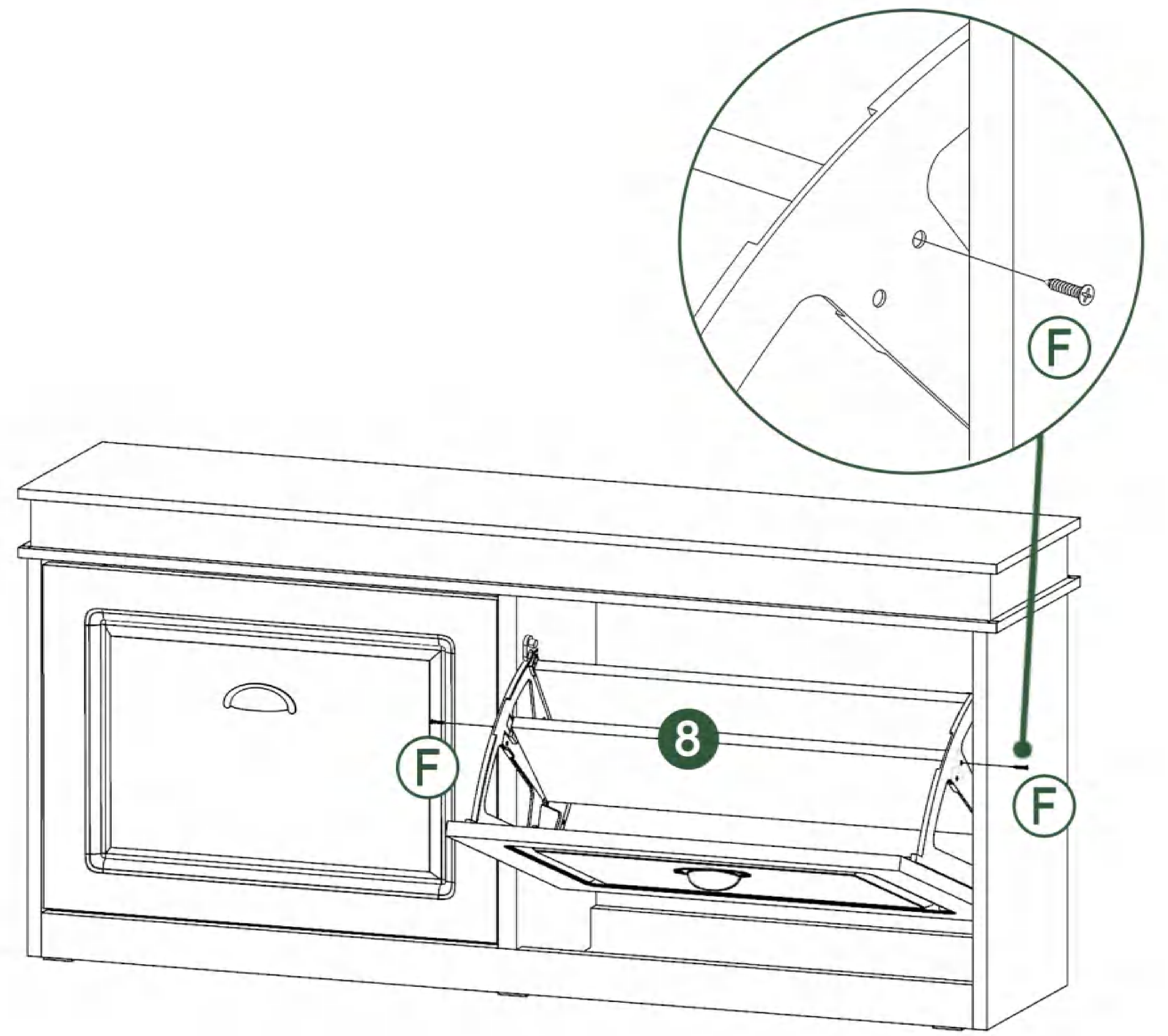
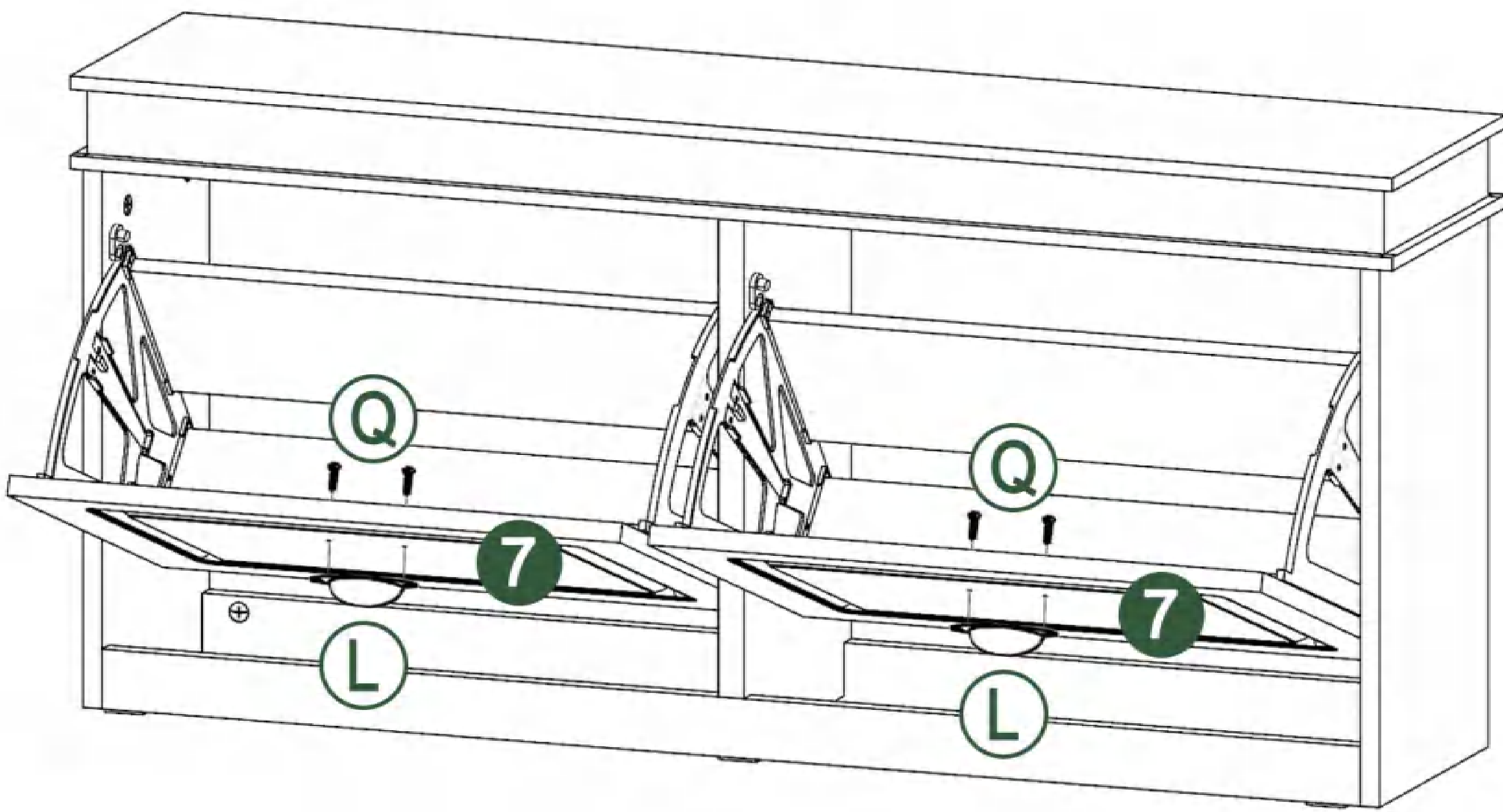
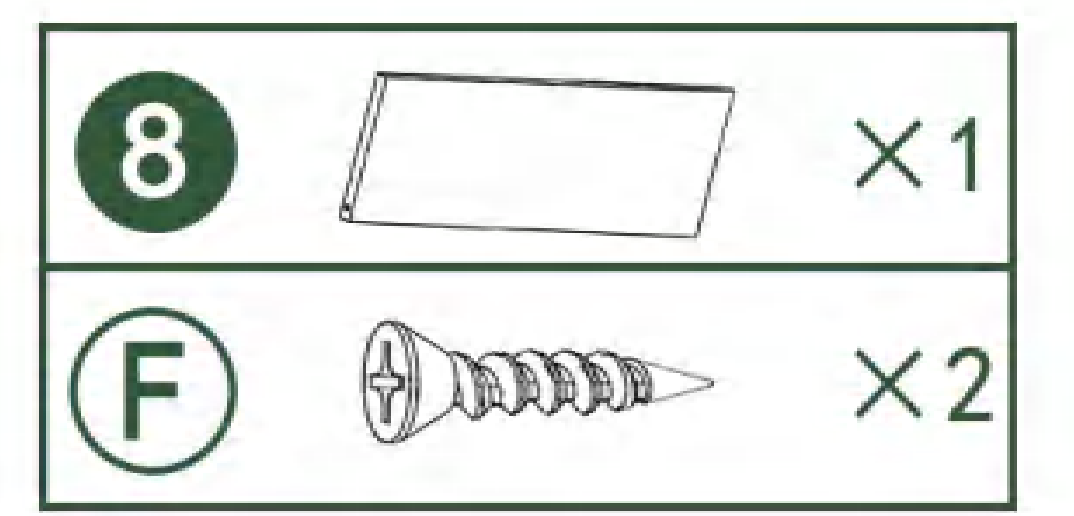
M		×6
---	---	----



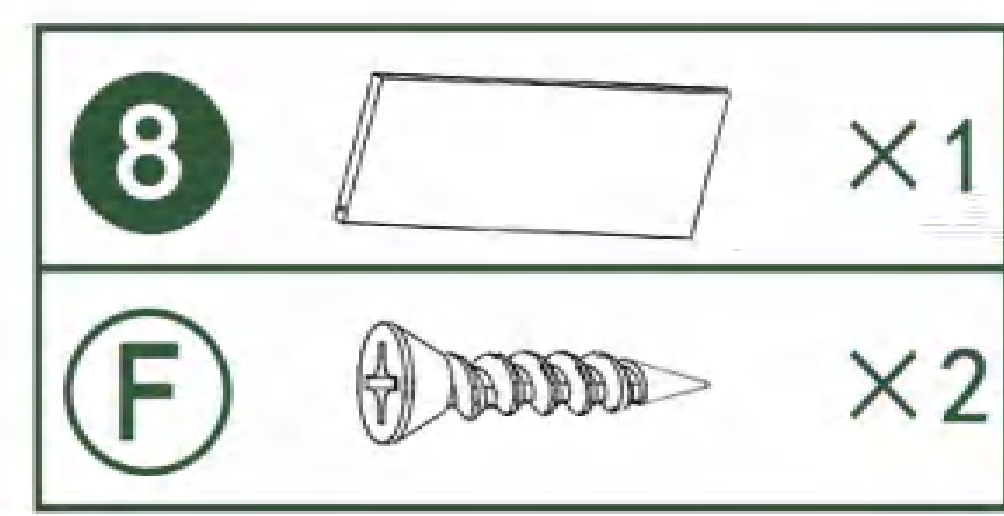
16.



17.



18.



19.

