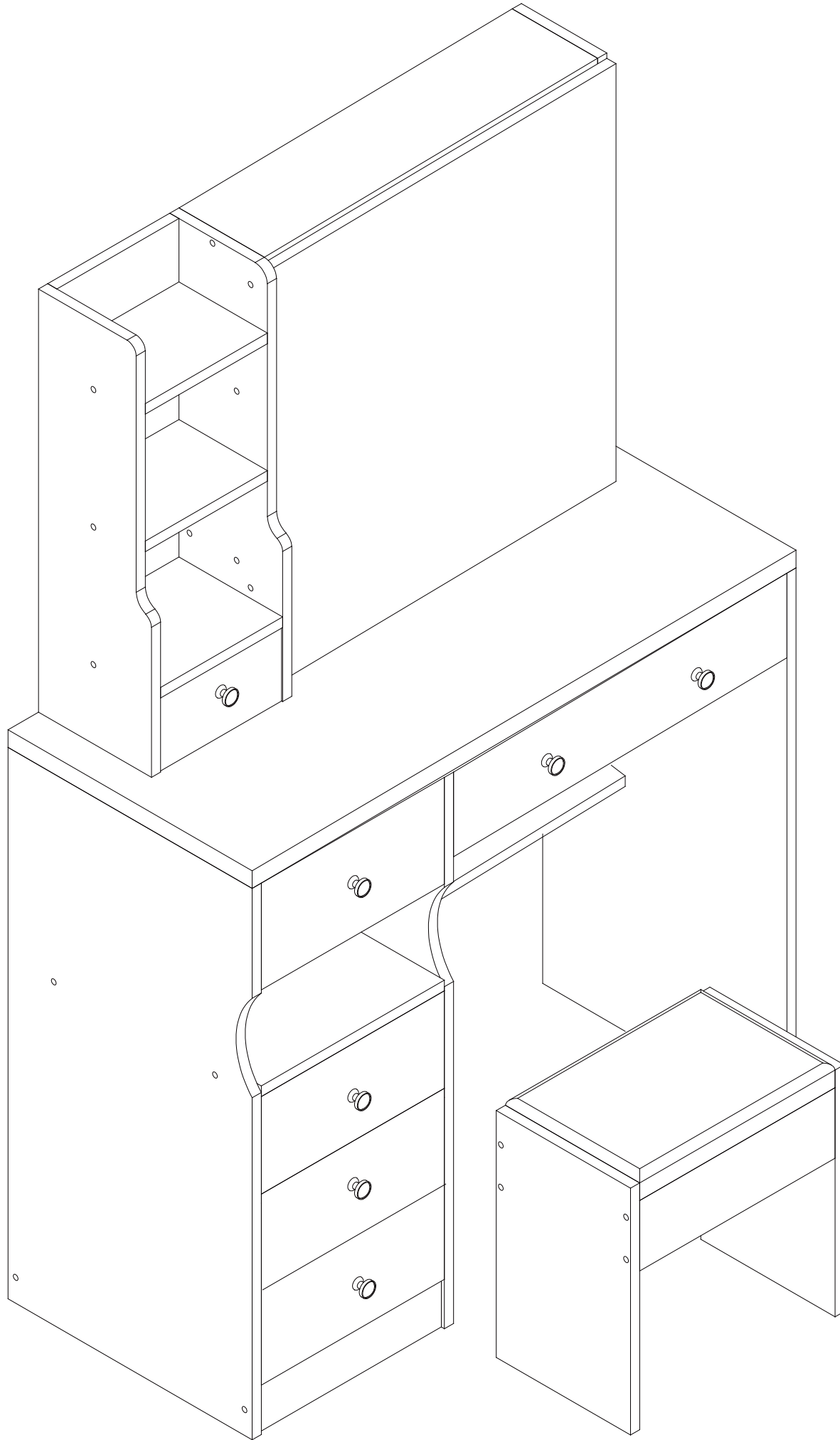
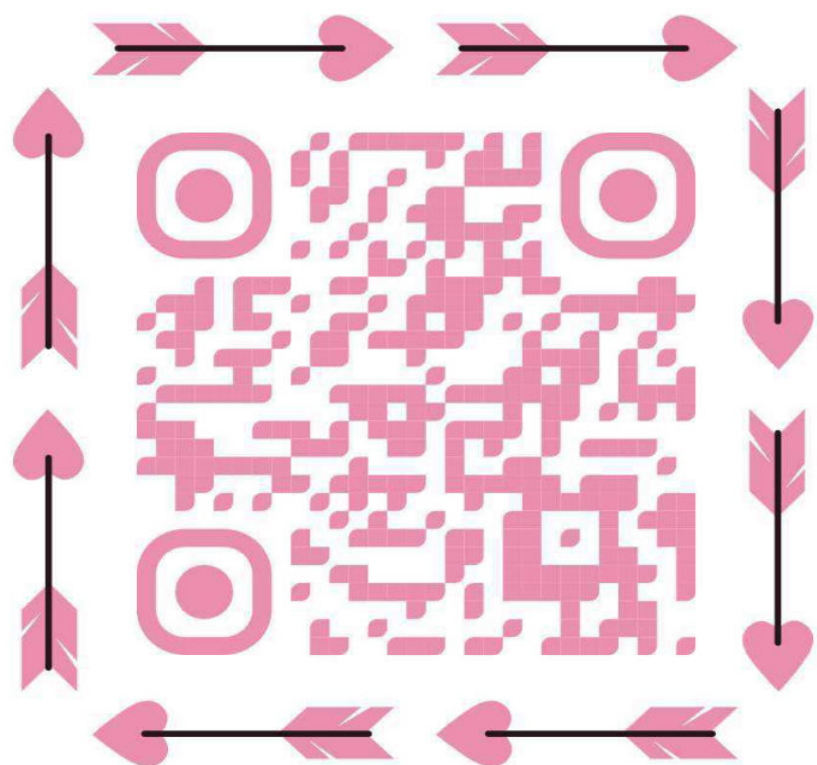


# vanity table

T68M-W, T68M-B

## INSTALLATION MANUAL





Before assembly please scan the code to get the installation video.



How to install the rail and mirror? please scan the code to get the video.



How to fix the mirror light problem? please scan the code to get the video



T68m real show

This is the unified installation manual for the T68M (middle size) dressing table, suitable for three versions: simple, basic, and luxury.

**Simple version:** There is no mirror light, built-in socket or hair dryer stand function, so there is no mirror light power plug (N), built-in socket (H) or hairdryer bracket (I) in the accessories.

**Basic version:** With mirror light function, no built-in socket or hair dryer stand function. Therefore, there is no built-in socket (H) or hair dryer bracket (I) in the accessories.

**Luxury version:** With mirror light, built-in socket, and hair dryer stand function, including all illustrated accessories.

**Also note that:**

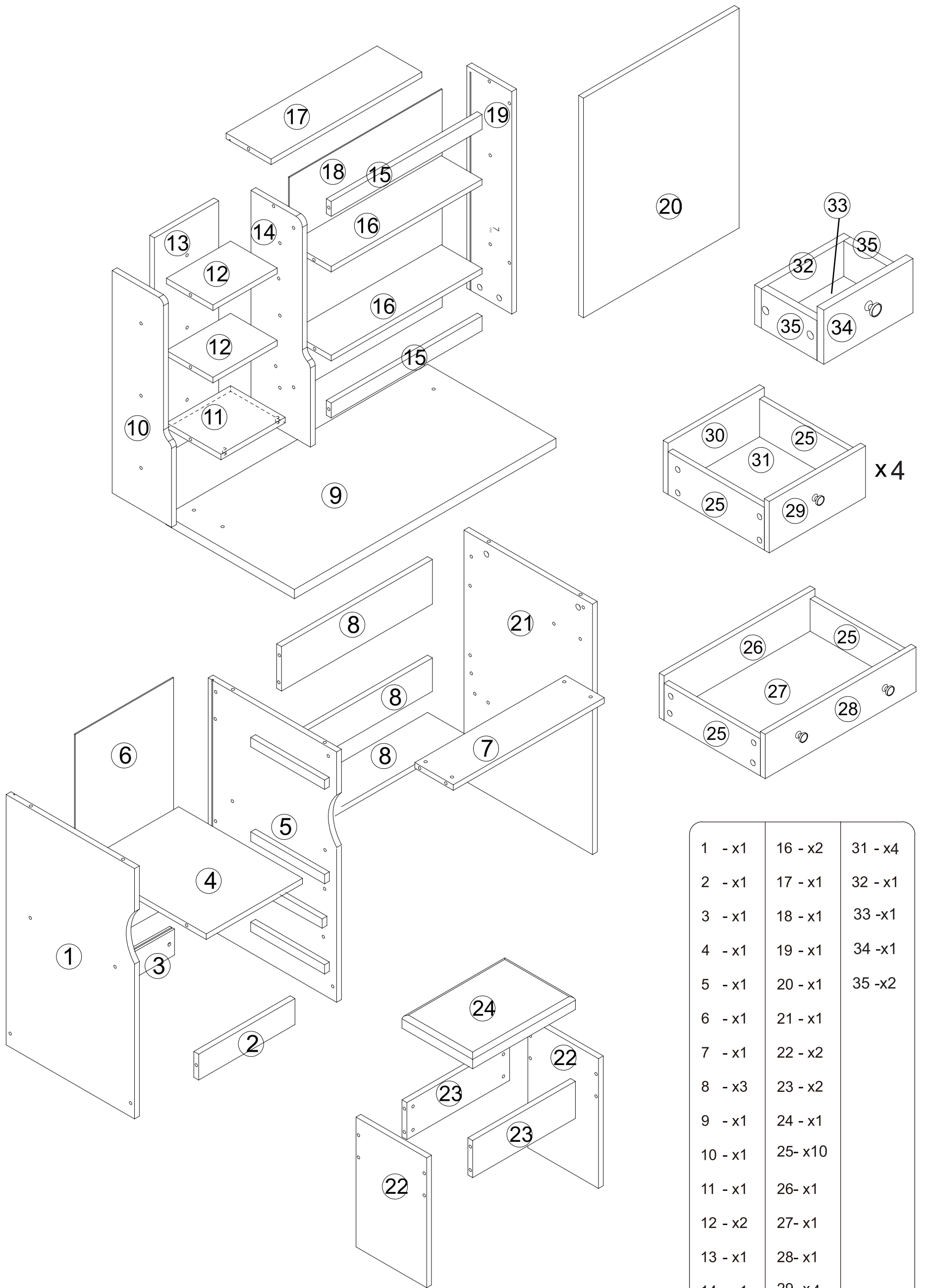
1. Screw G is a drawer positioning pin that prevents the drawer from falling off when opened. After installation, please confirm that all positioning screws G have been installed.



2. For luxury version, part 19 has rectangular hole for installing build-in socket, part 18 has wiring hole, and part 20 has mirror light; For basic version part 19 does not have rectangular hole for installing build-in socket, part 18 does not have wiring hole, but part 20 has mirror light; For simple version, part 19 does not have rectangular hole for installing build-in socket, part 18 does not have wiring hole, and part 20 does not have mirror light.

3. There are marked points where the track needs to be fixed. Please use 12mm screws to secure the track at the marked point.









**1 -x1**



**2 -x1**



**3 -x1**



**4 -x1**



**5 -x1**



**6 -x1**



**7 -x1**



**8 -x3**



**9 -x1**



**10 -x1**



**11 -x1**



**12 -x2**



**13 -x1**



**14 -x1**



**15 -x2**



**16 -x2**



**17 -x1**



**18 -x1**



**19 -x1**



**20 -x1**



**21 -x1**



**22 -x2**



**23 -x2**



**24 -x1**



**25 -x10**



**26 -x1**



**27 -x1**



**28 -x1**



**29 -x4**



**30 -x4**



**31 -x4**



**32 -x1**



**33 -x1**

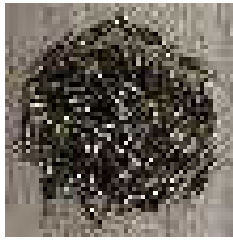


**34 -x1**

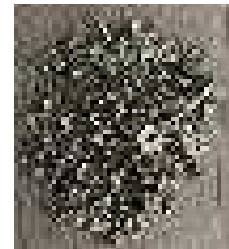


**35 -x2**

hardware



A 3 IN 1 SCREW x 58



B 3 IN 1 LOCK x 58



C 12MM SCREW x 16



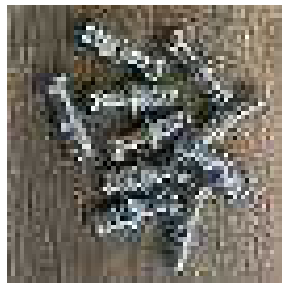
D GUIDE RAIL x 2



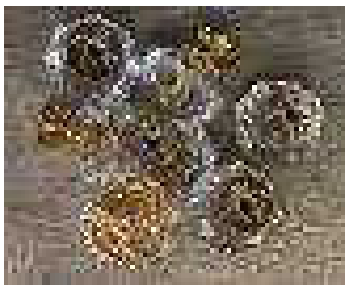
E HANDLE SCREW x 7



F L PLATE x 2



G DRAWER POSITIONING SCREW x 10



L DRAWER HANDLE x 7



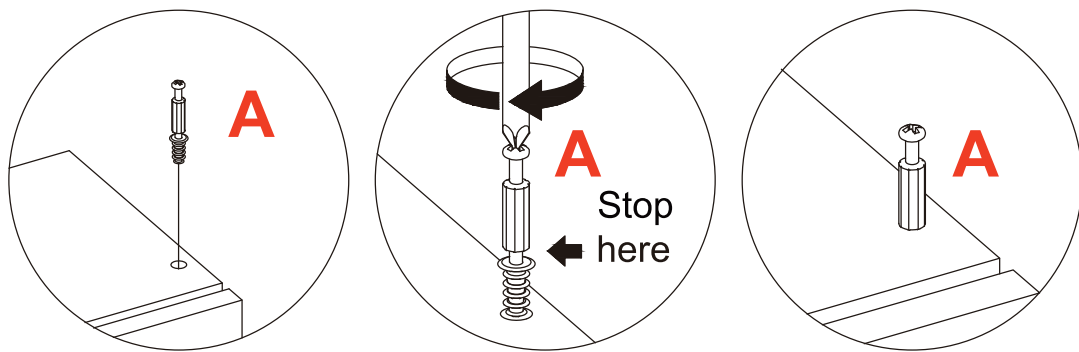
J 2 IN 1 SCREW x 48



K 2 IN 1 LOCK x 48

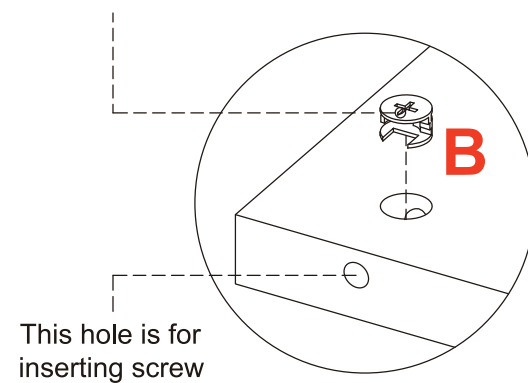
### 1. Screw installation method

When the screw is installed, please keep it in line with the board, and do not tighten it too tightly

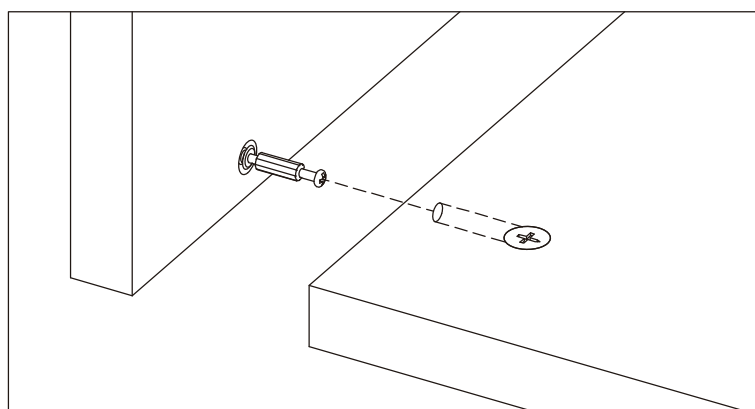


### 2. Check the Nut direction

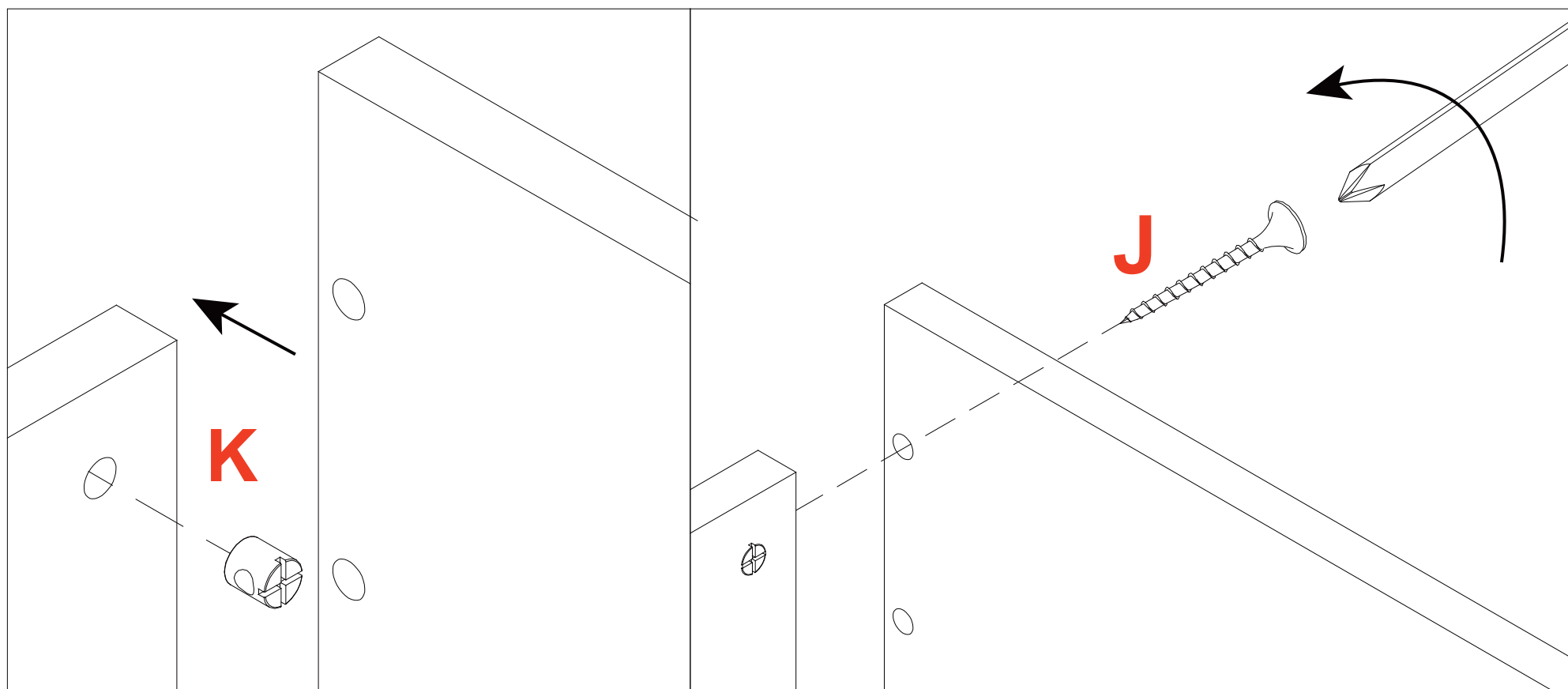
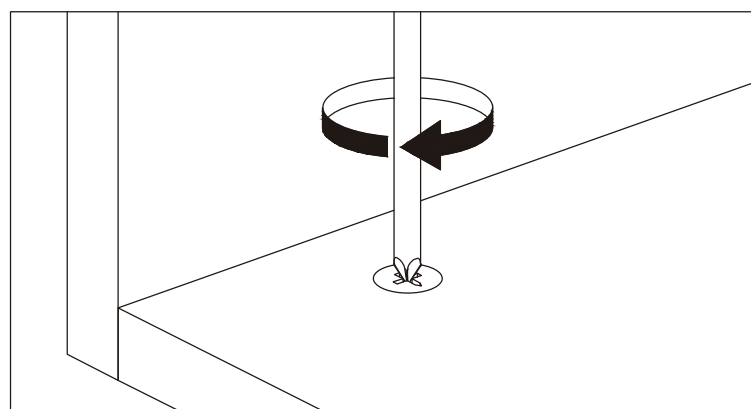
This direction of the marked nut is consistent with the direction in which the screw is inserted



### 3. Installation on the board with fixing screws

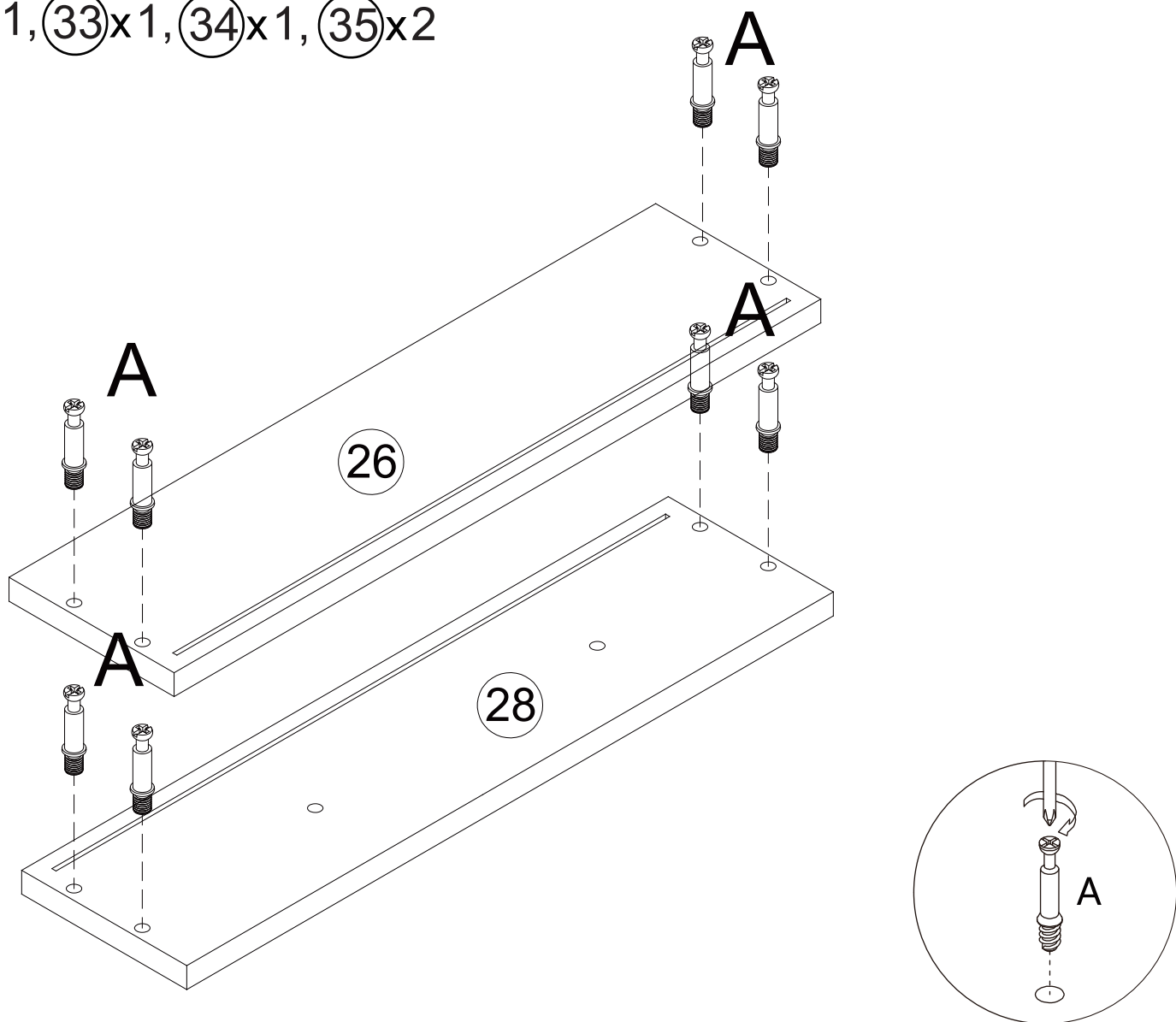


### 3. Rotate slowly until it stops

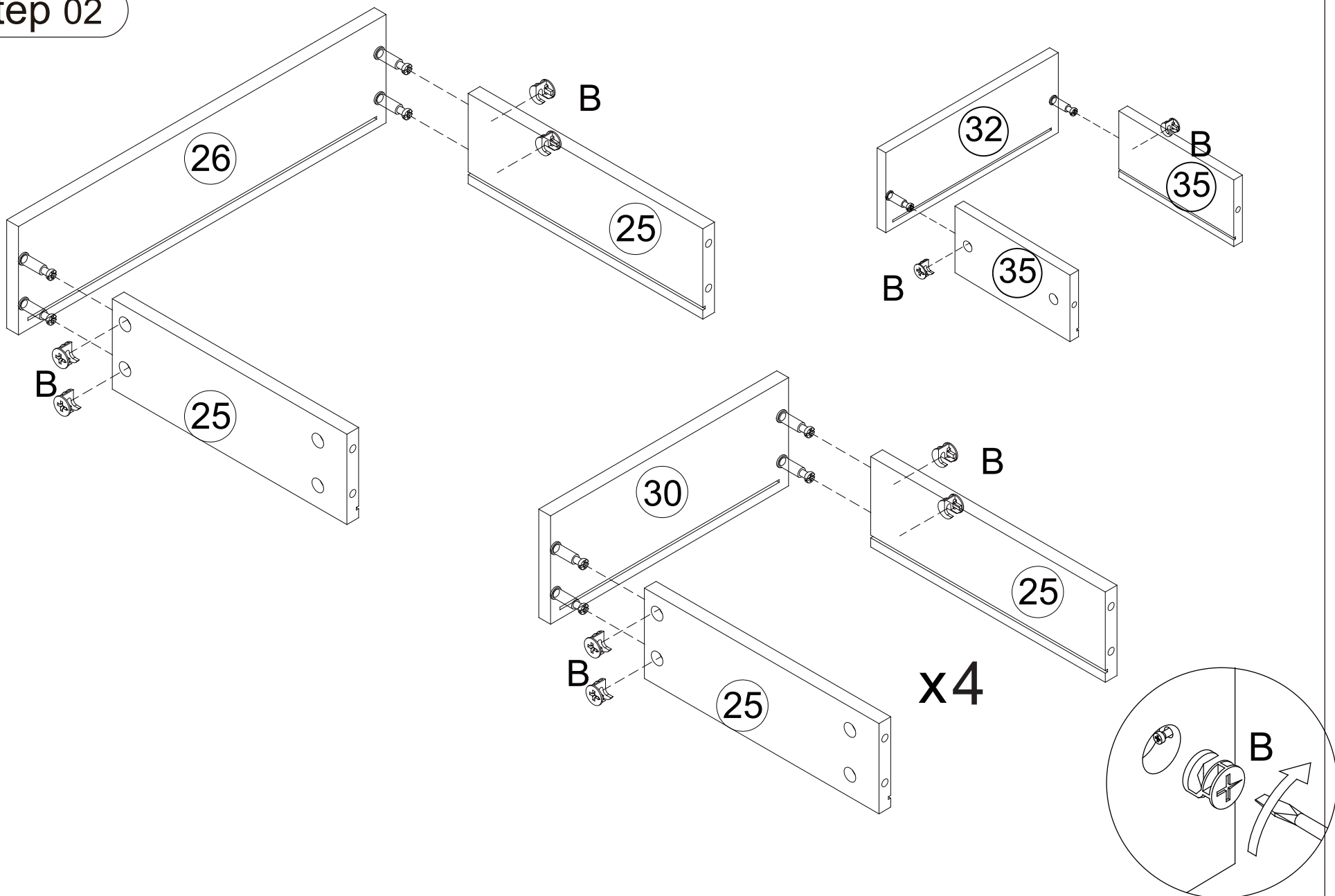


Step 01

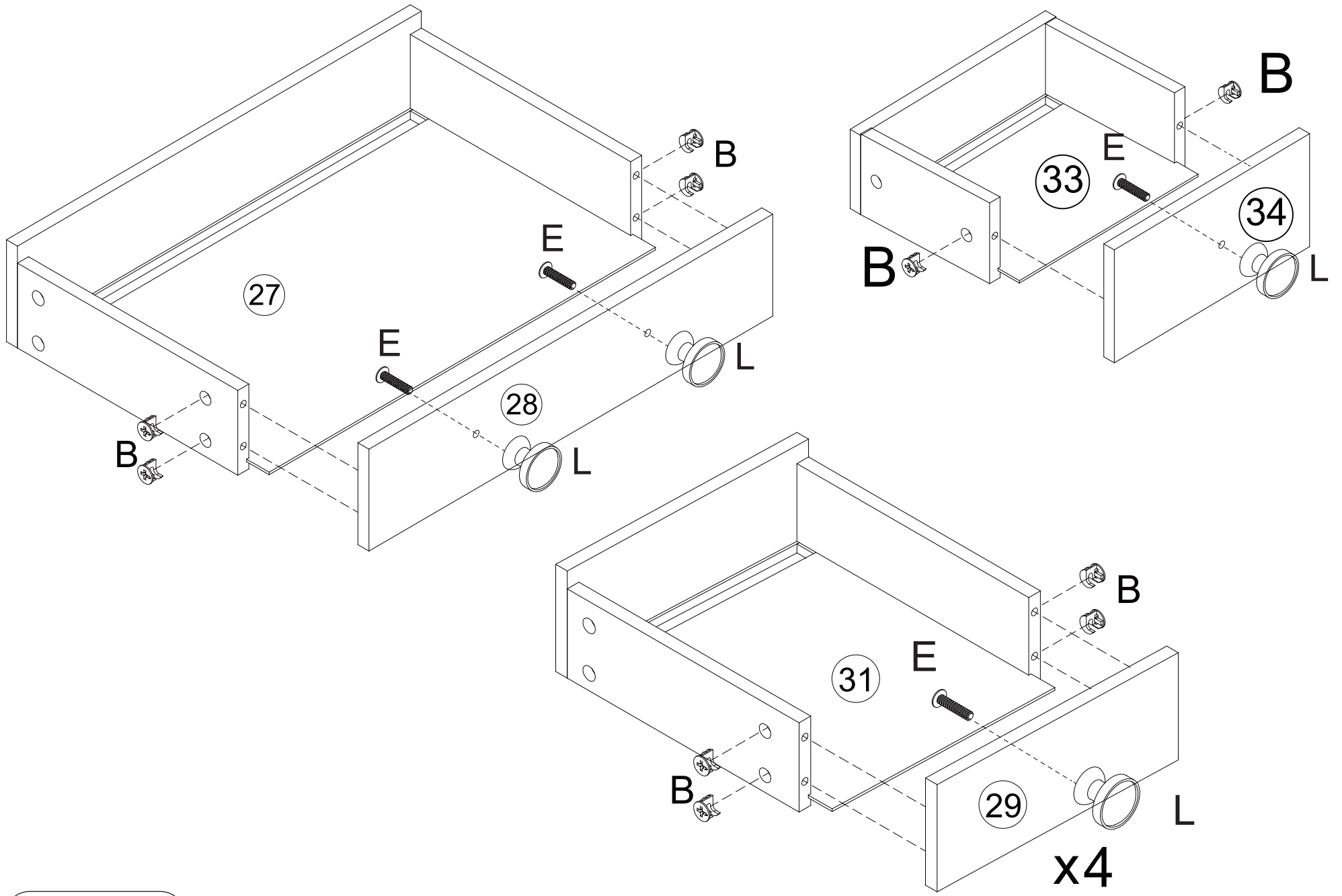
pick up (26) x1, (27) x1, (28) x1, (25) x2 and (29) x4, (30) x4, (31) x4, (25) x8  
(32) x1, (33) x1, (34) x1, (35) x2



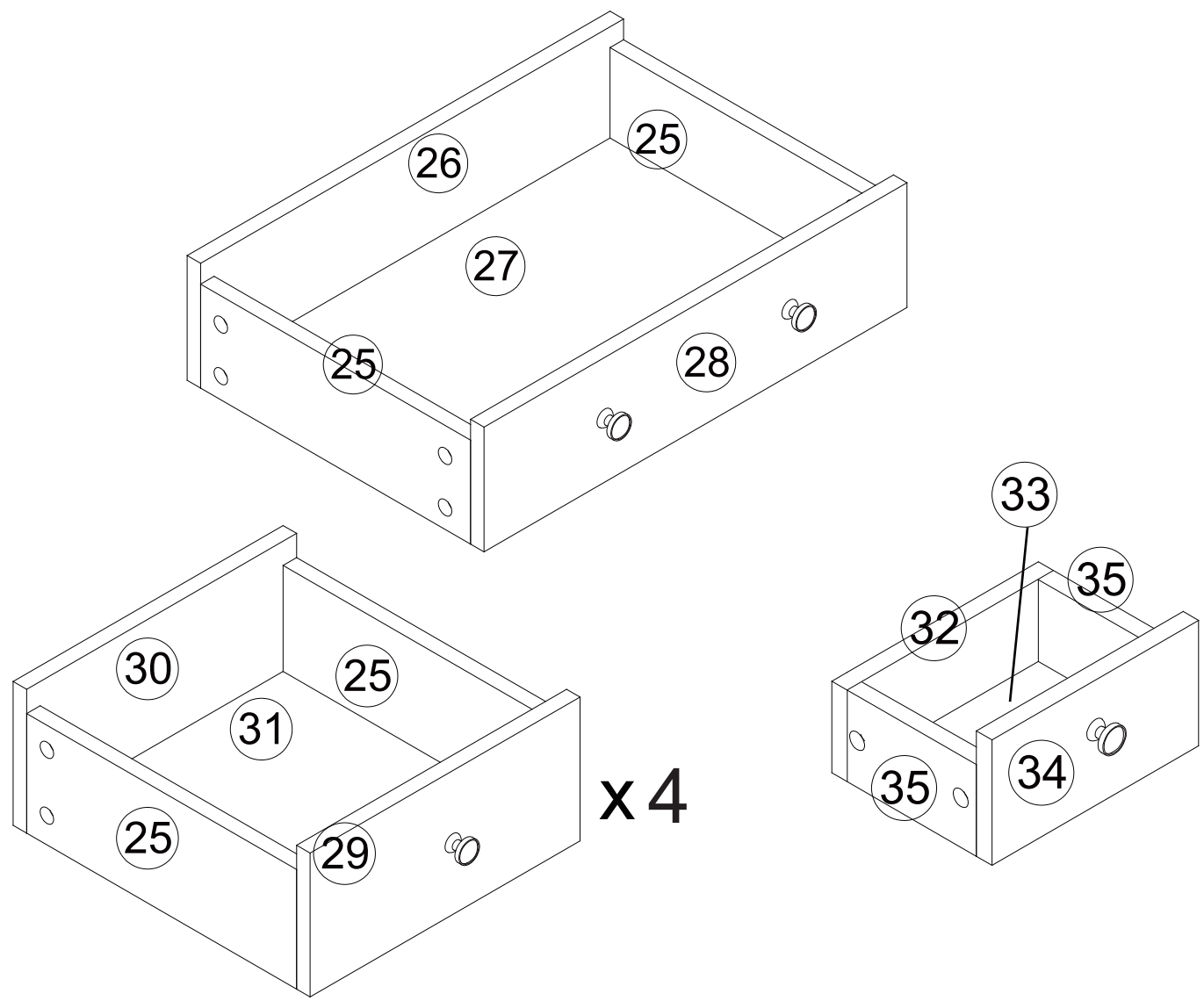
Step 02



Step 03

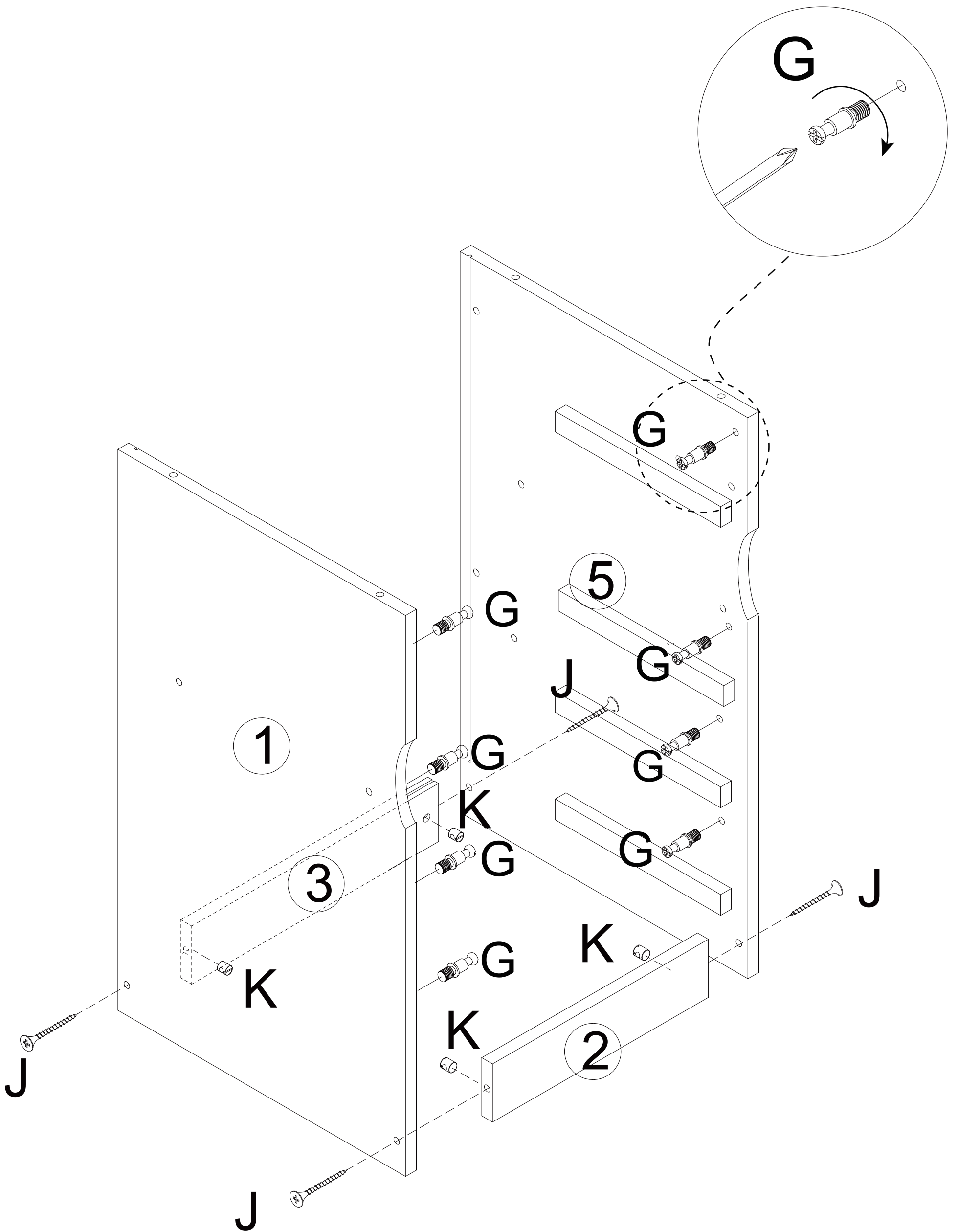


Step 04

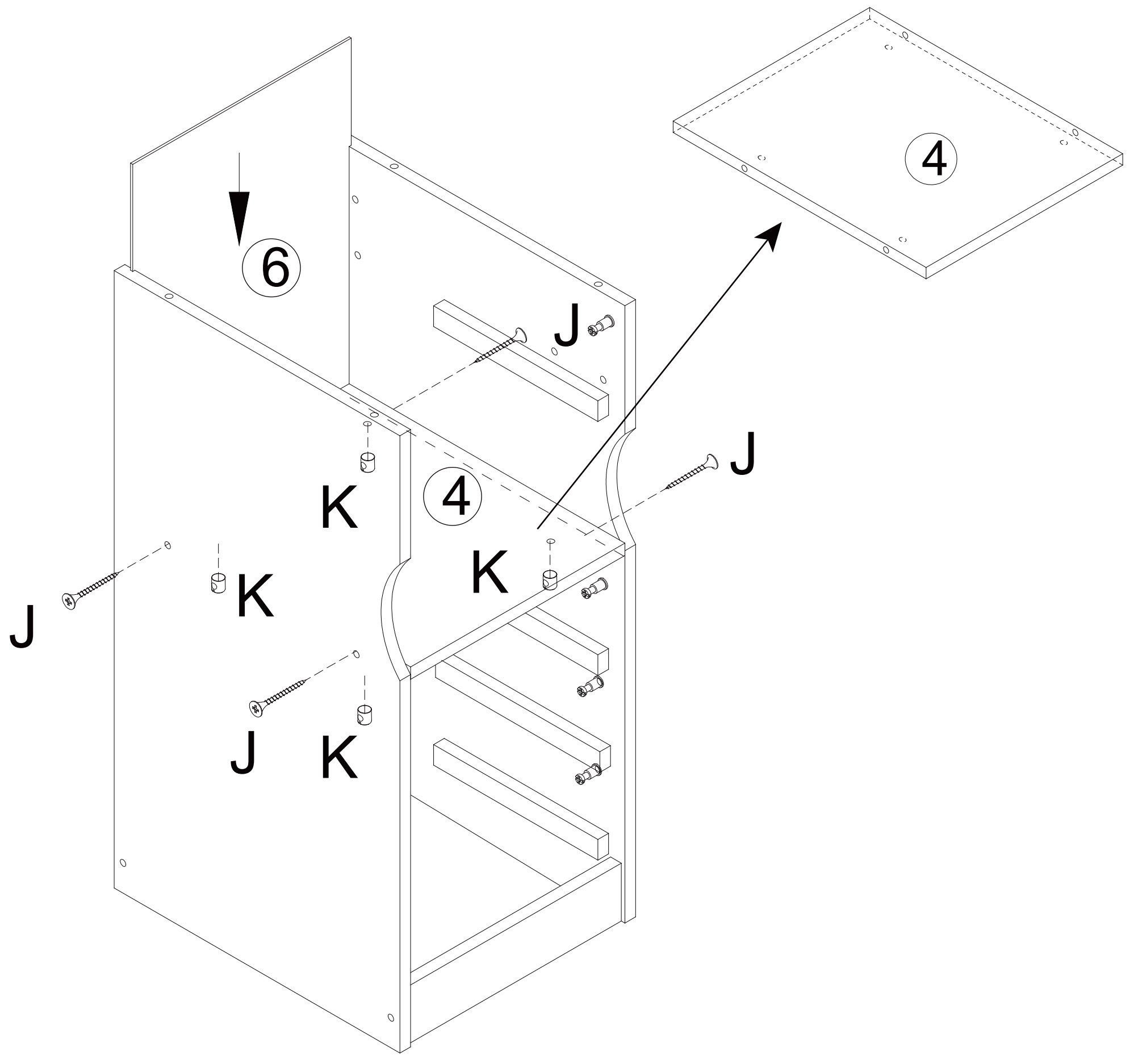


Step 05

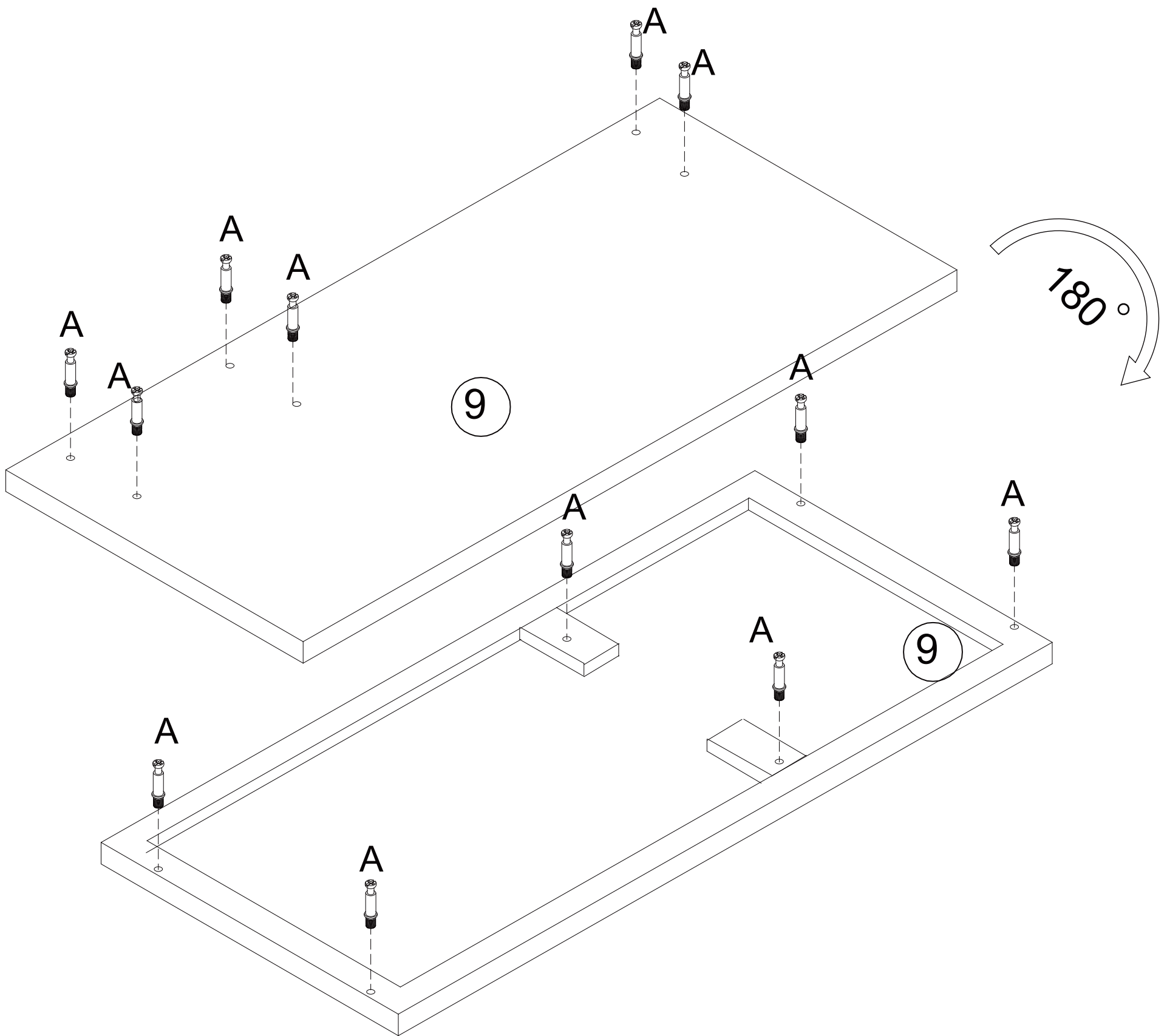
pick up ①x1, ②x1, ③x1, ⑤x1, ⑥x1, ④x1



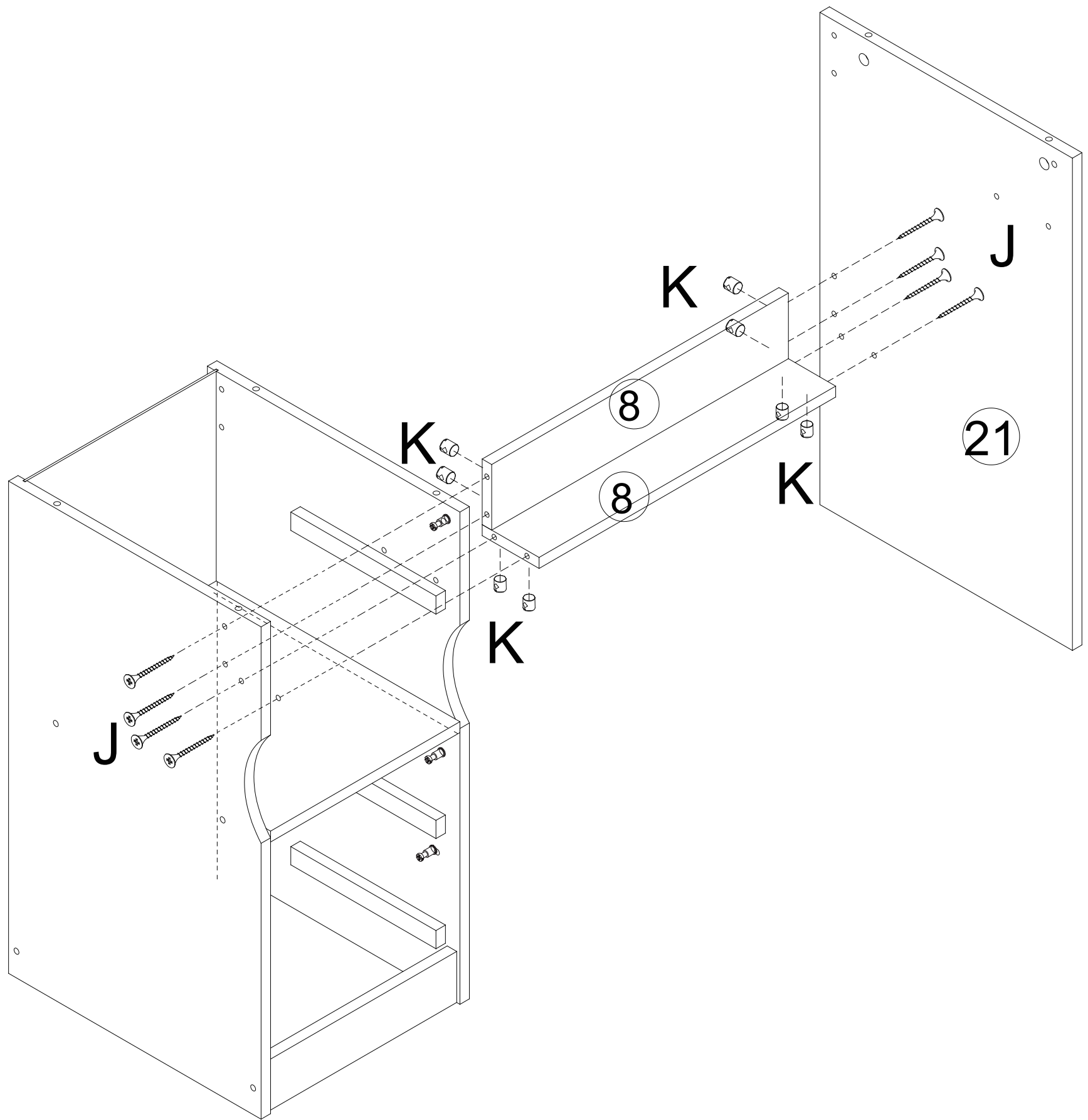
Step 06



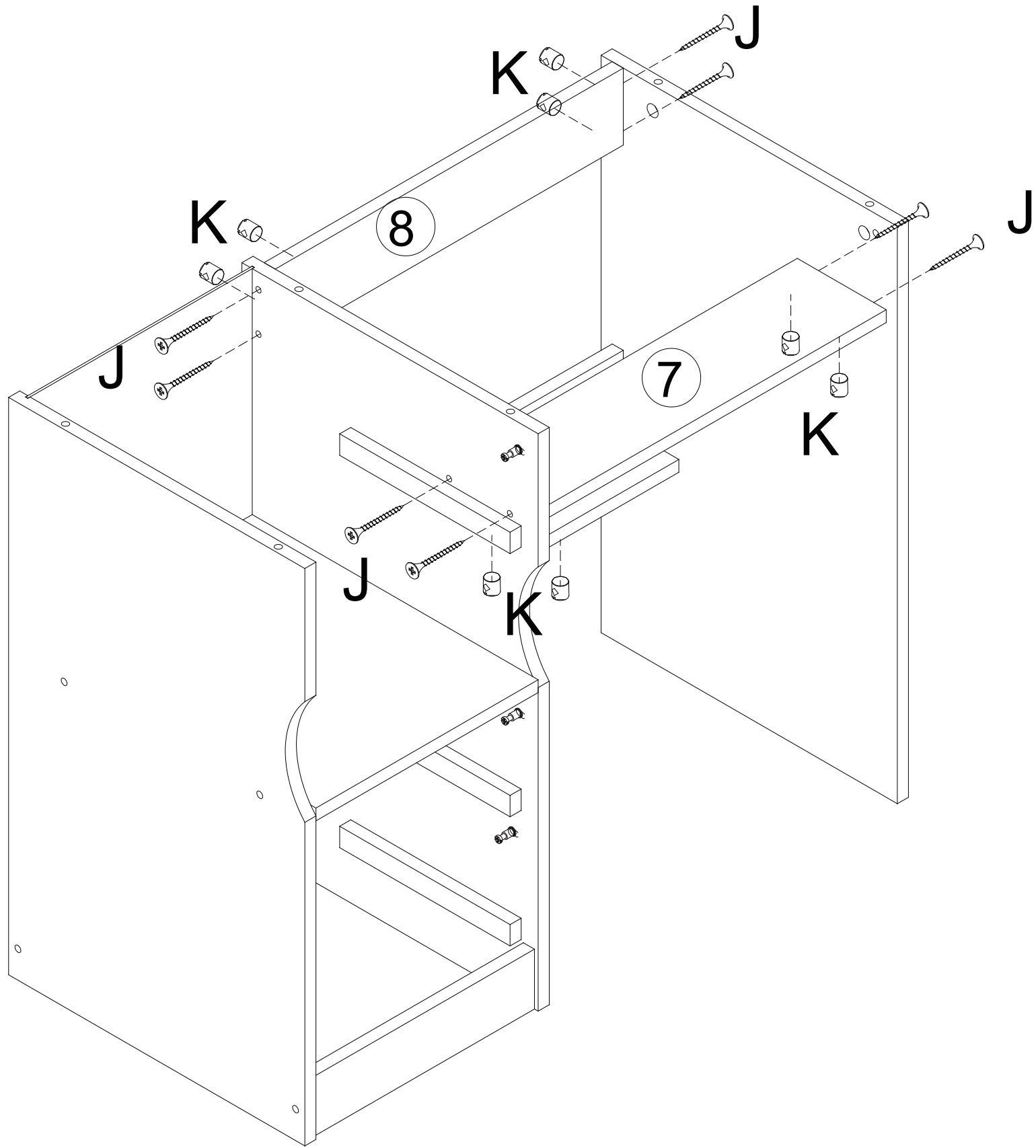
Step 07



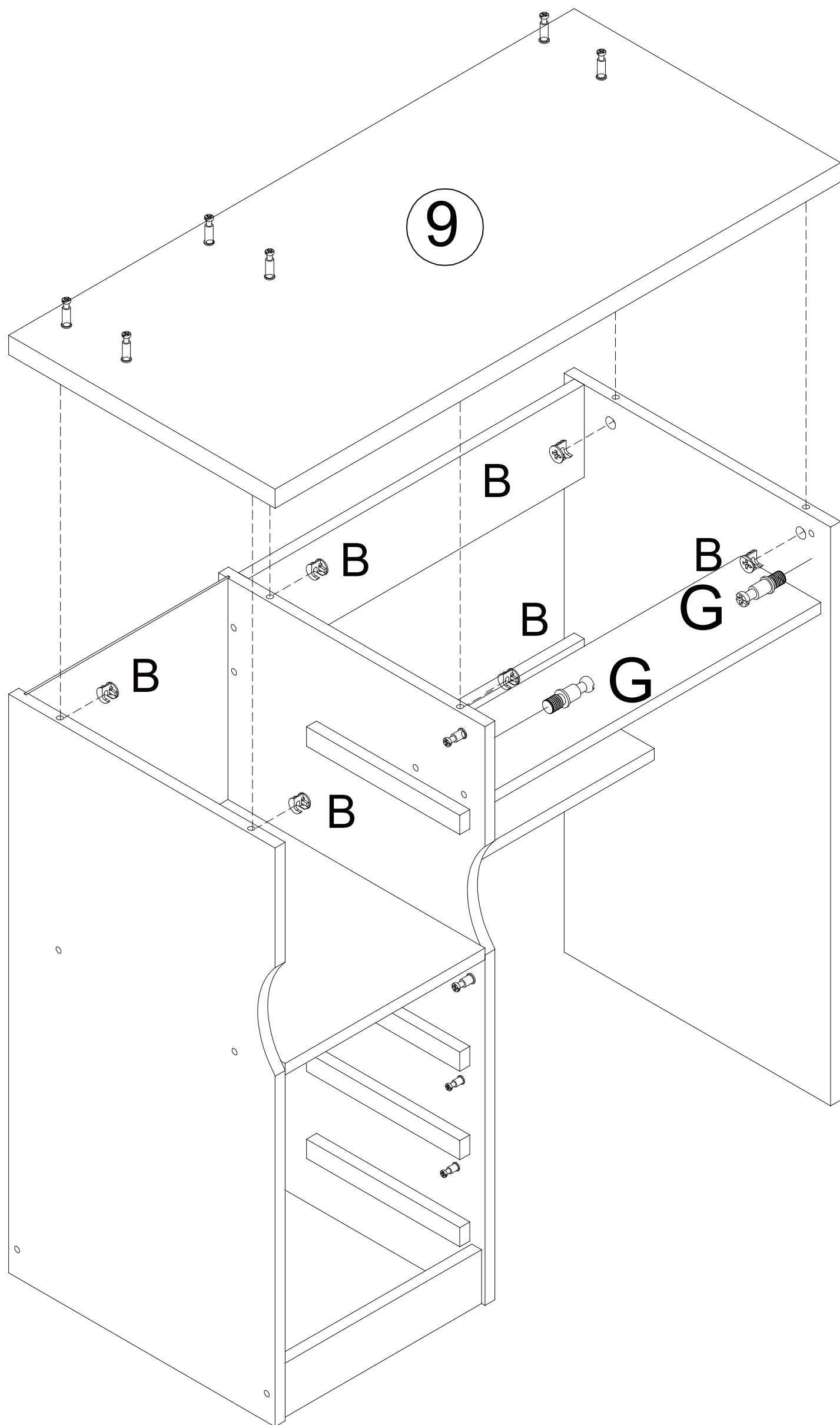
Step 08 pick up ⑦x1, ⑧x3, ②① x1, ⑨x1



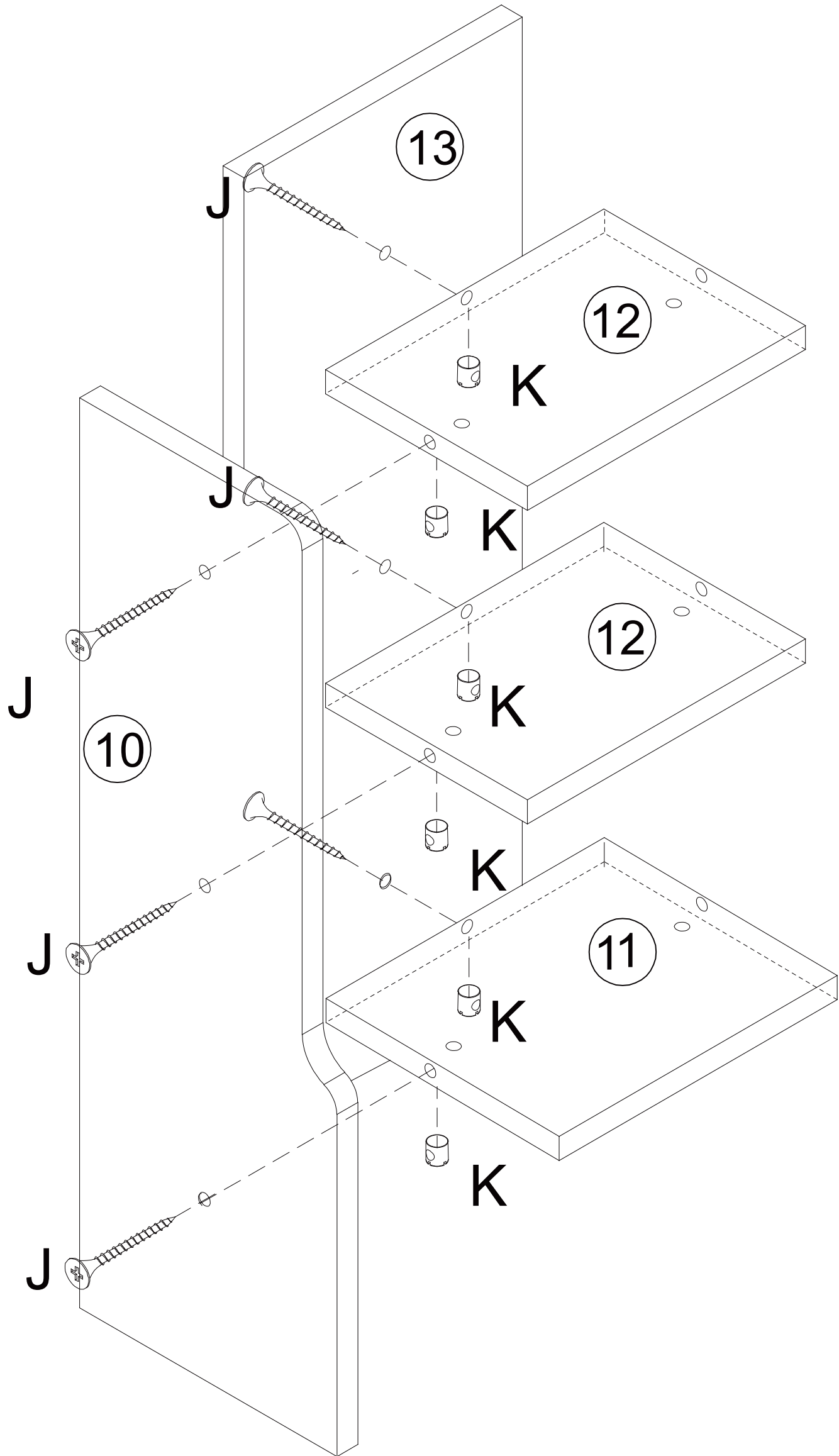
Step 09



Step 10

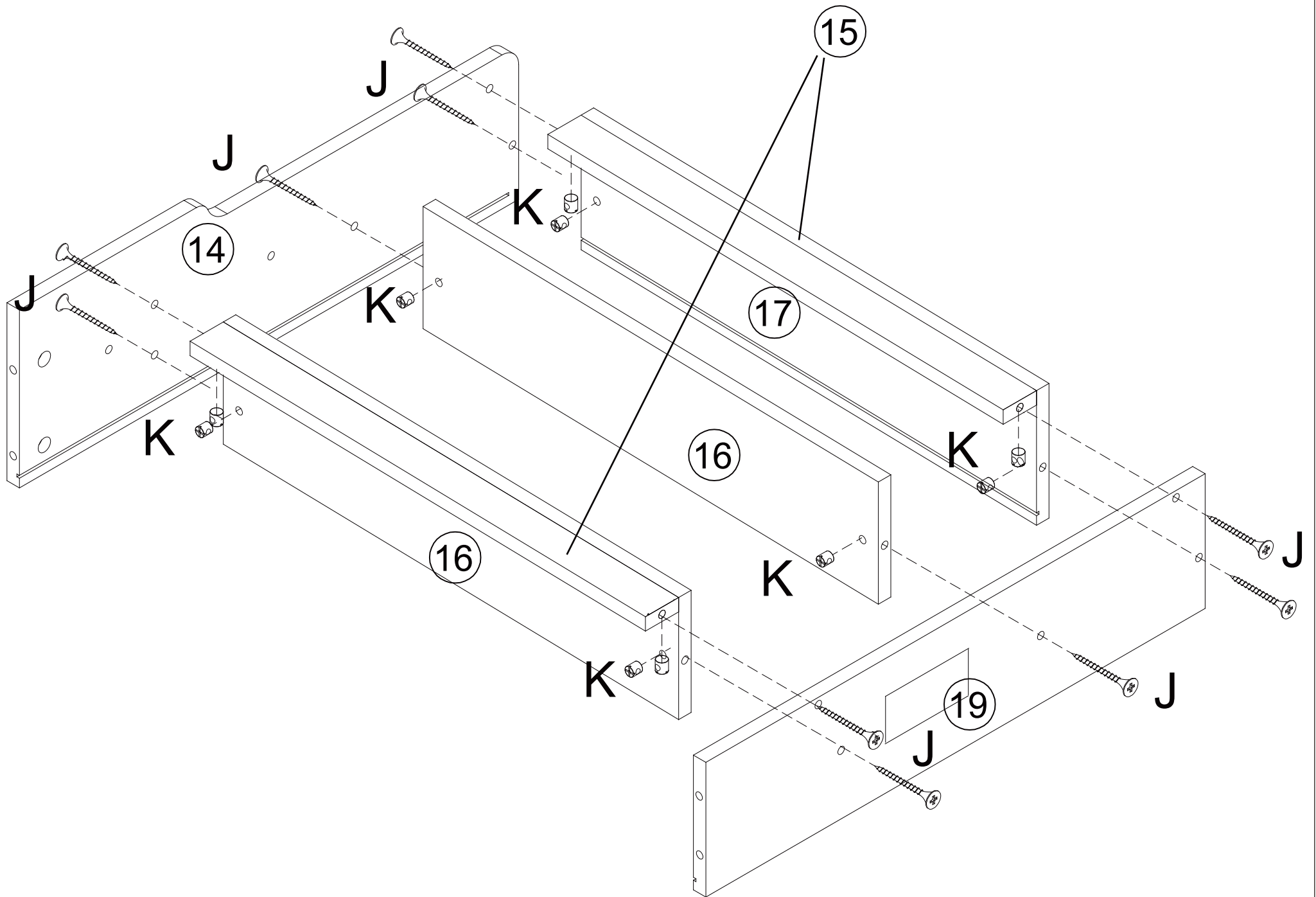


Step 11 pick up ⑩ x1, ⑪ x1, ⑫ x2, ⑬ x1

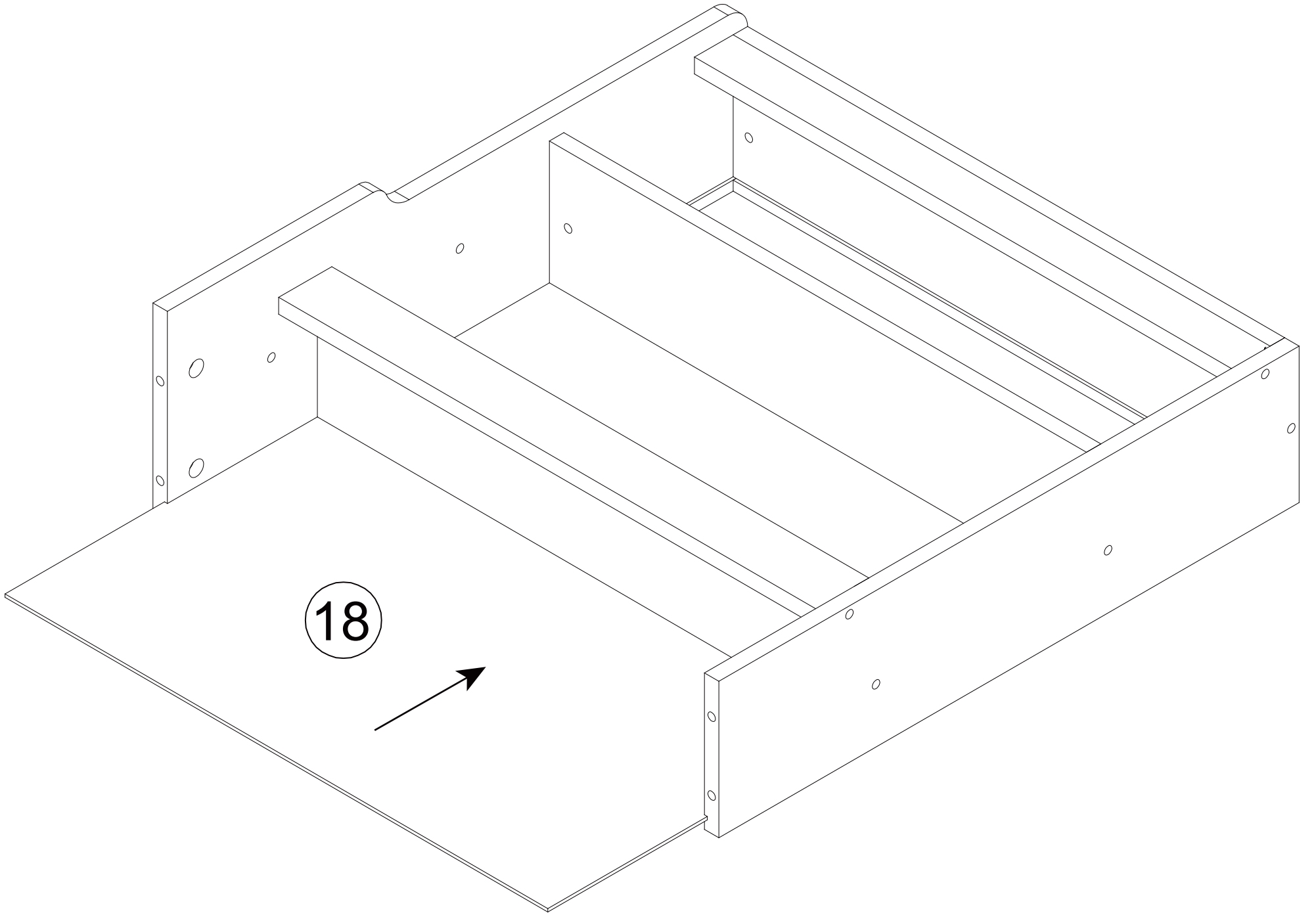


Step 12

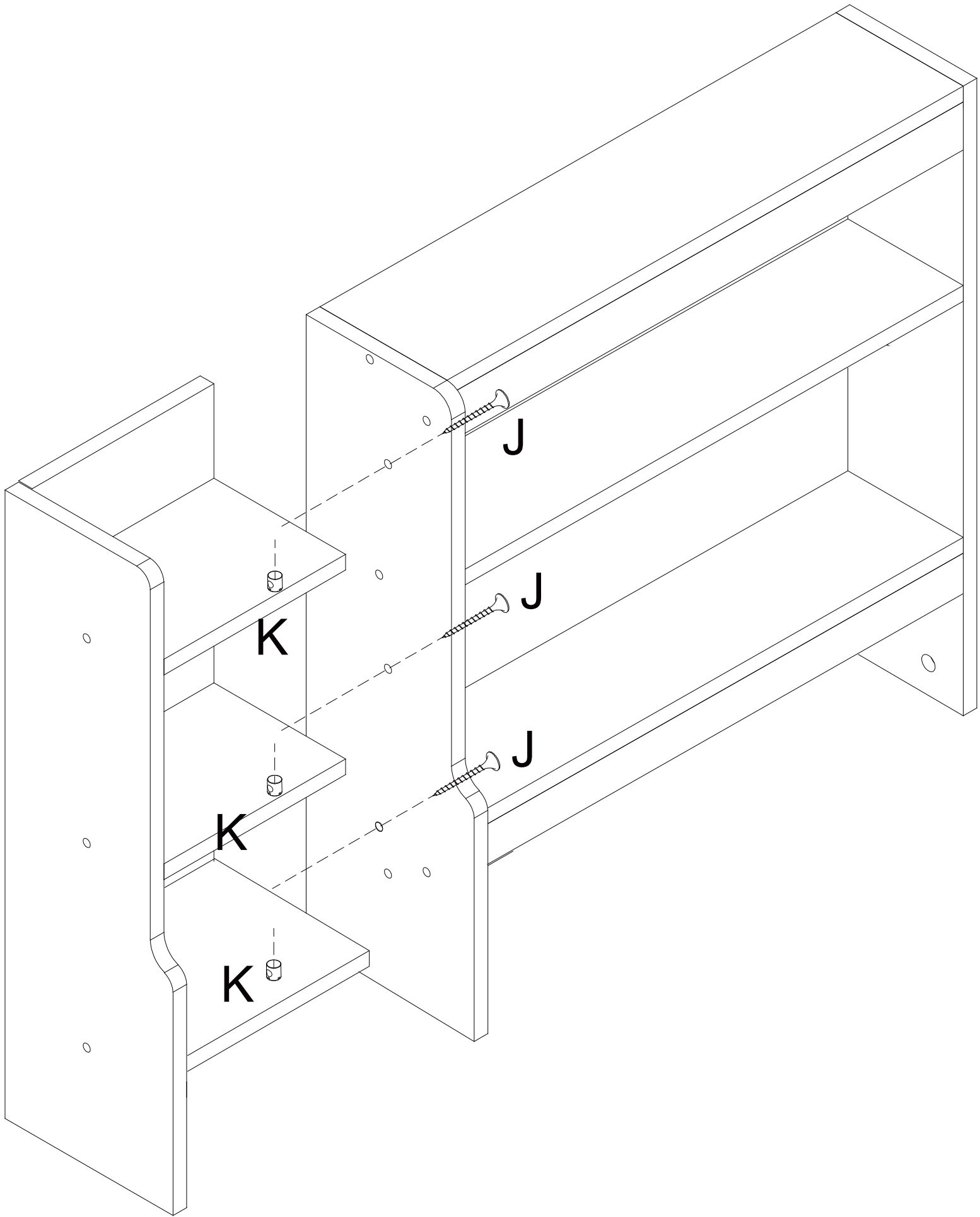
pick up ⑭ x1, ⑰ x1, ⑮ x2, ⑯ x2, ⑱ x1, ⑲ x1



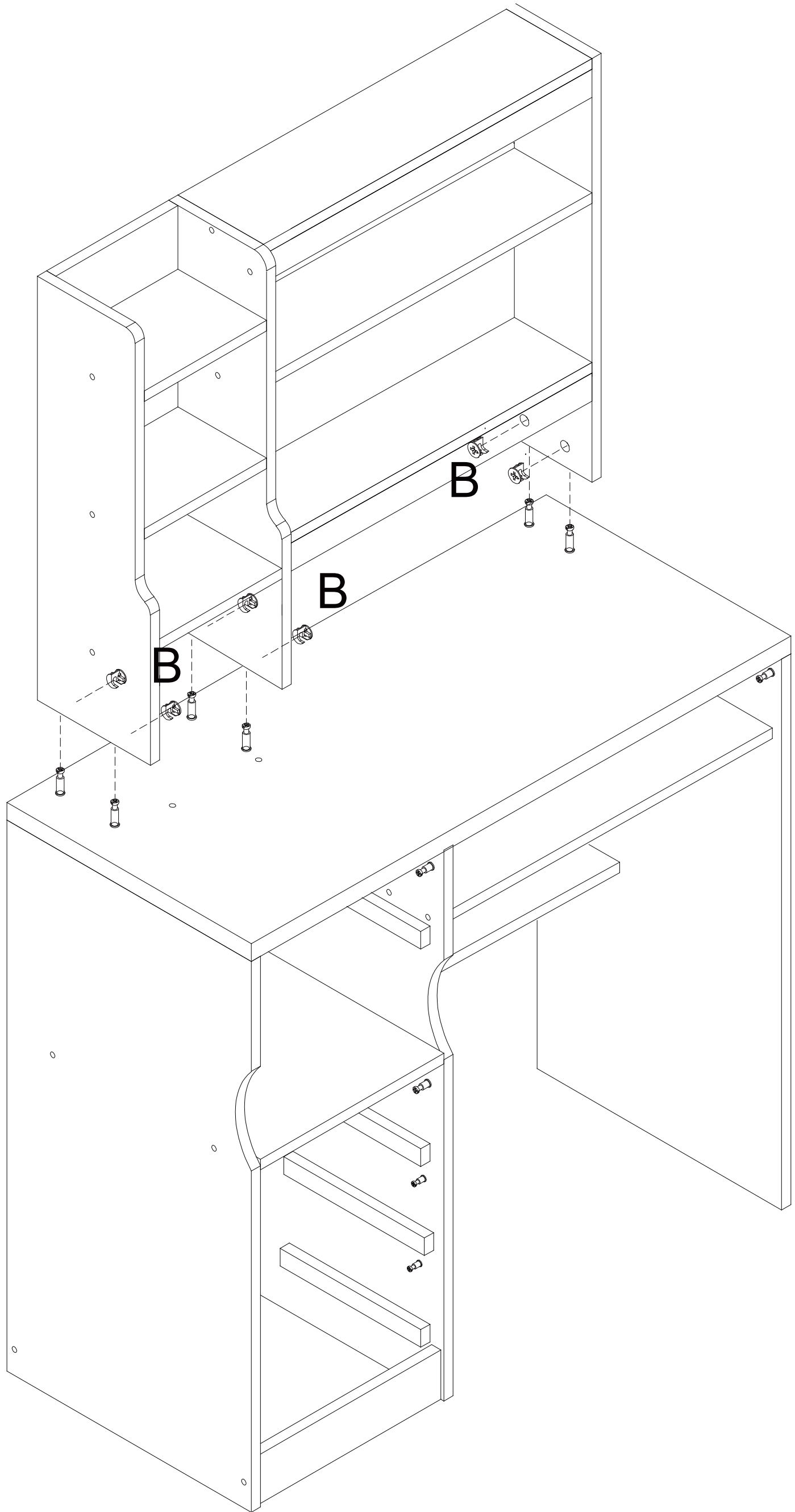
Step 13



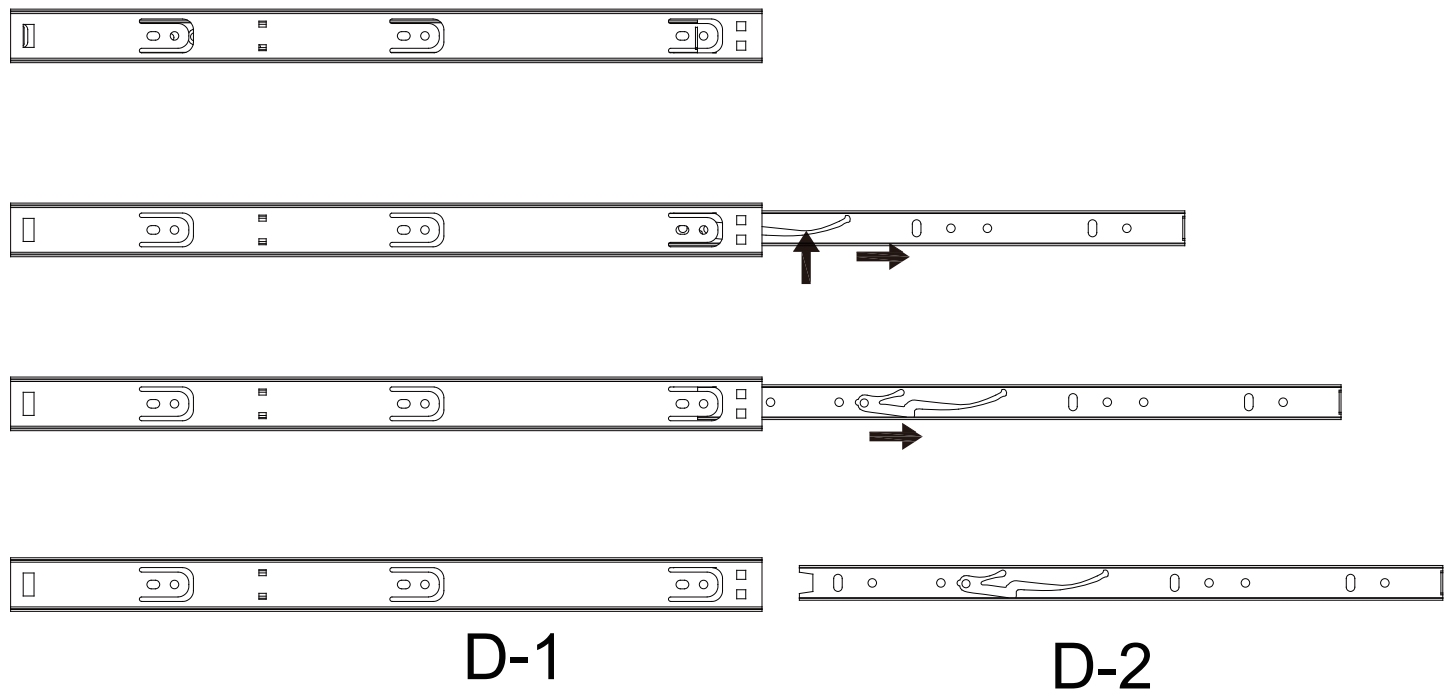
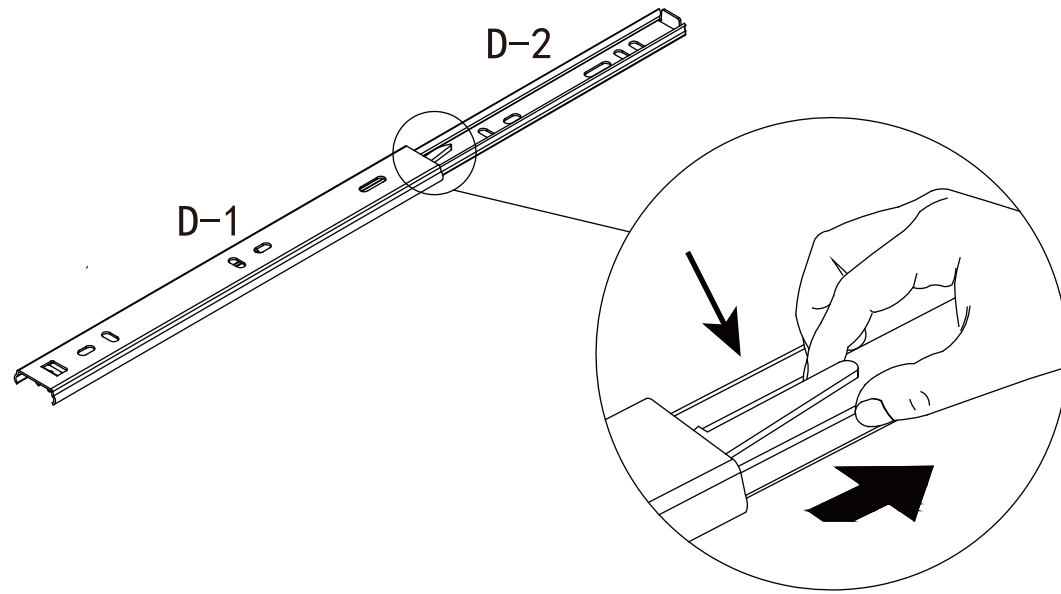
Step 14



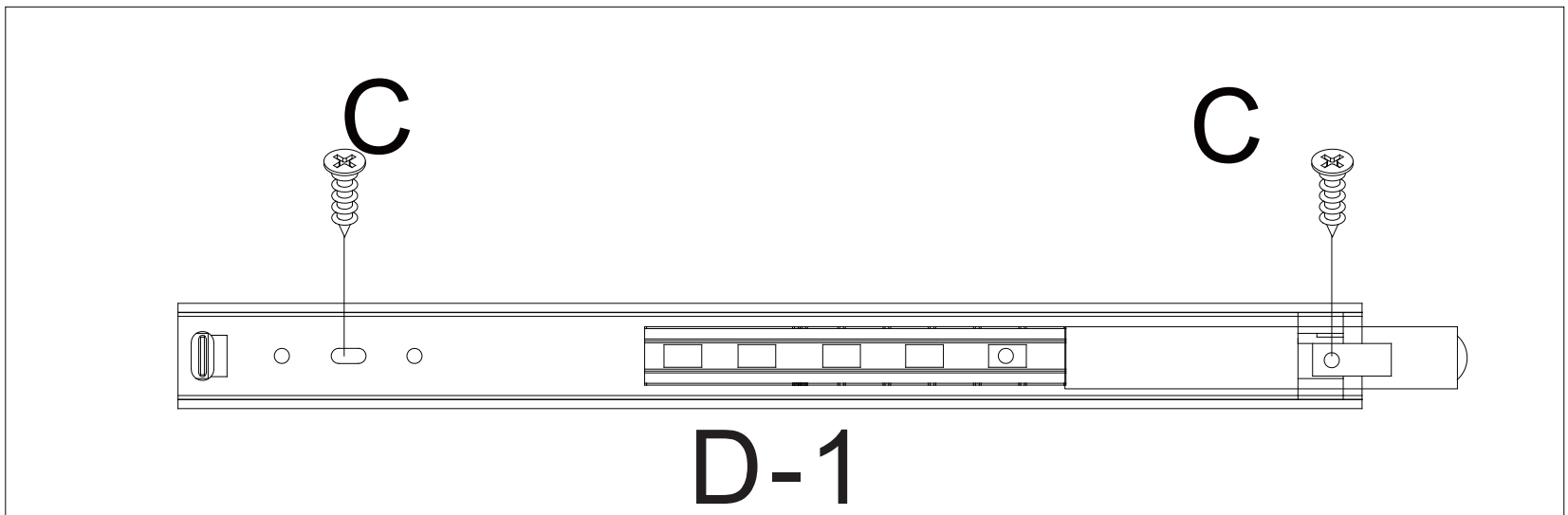
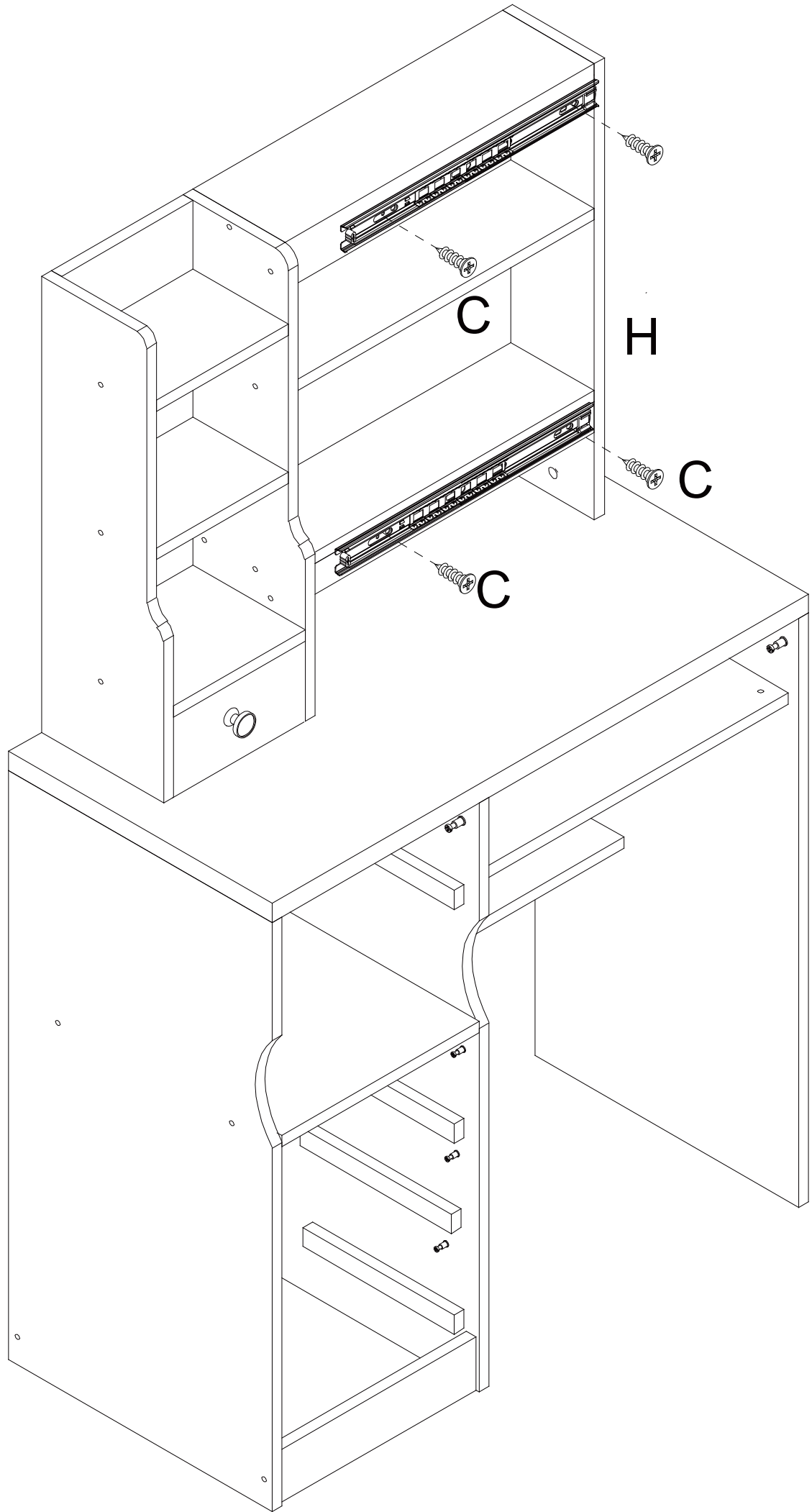
Step 15



Step 17

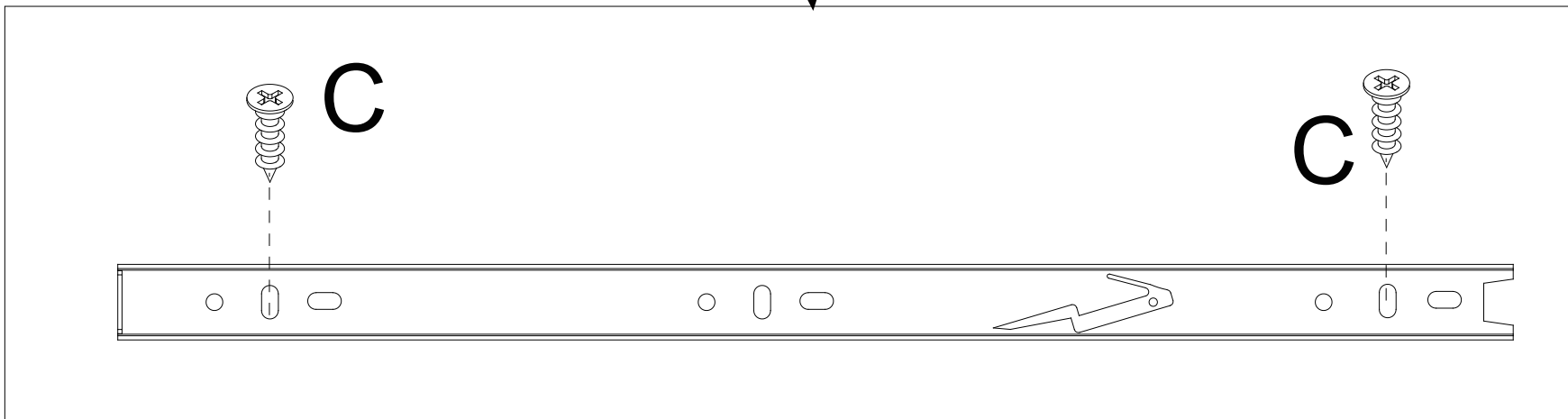
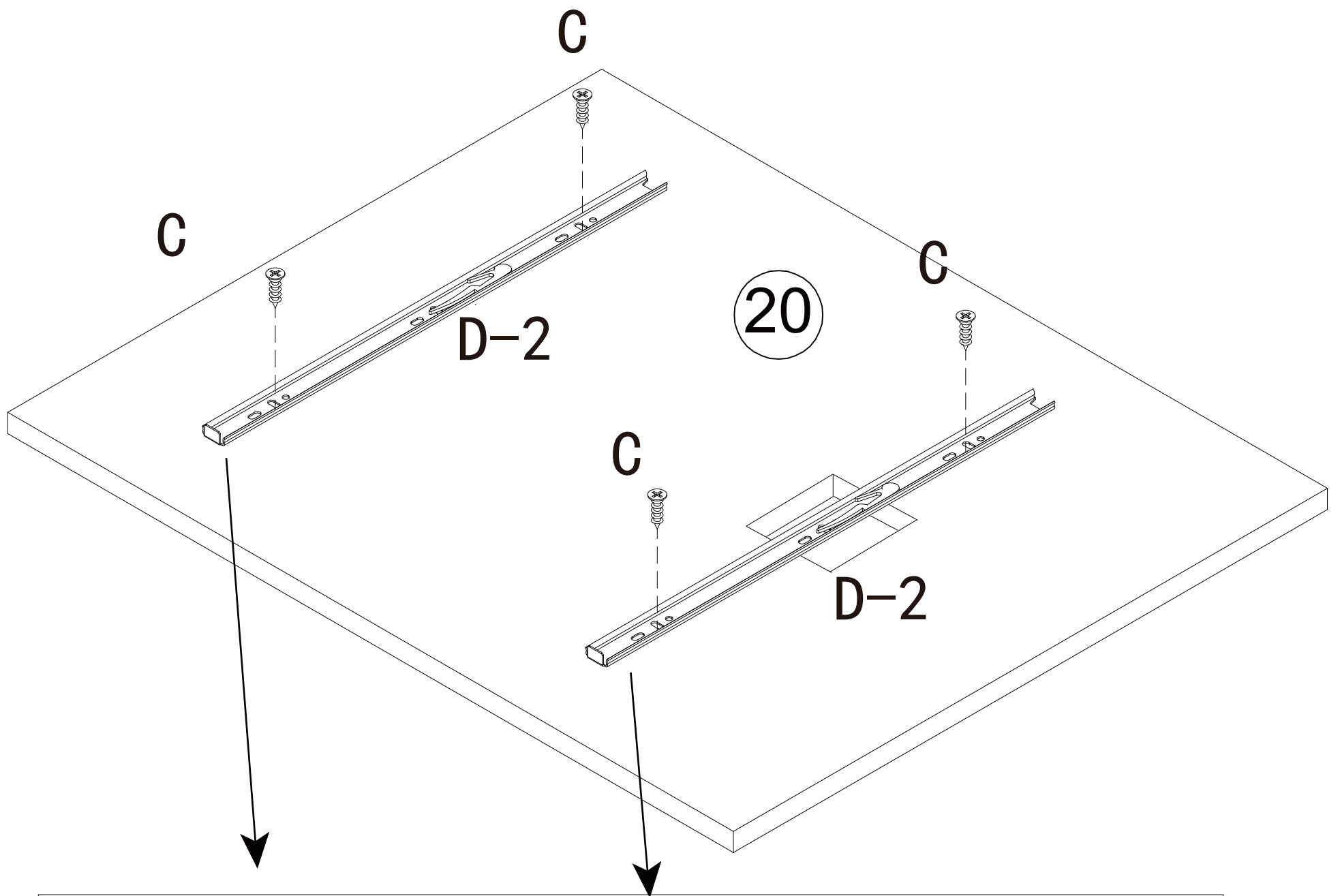


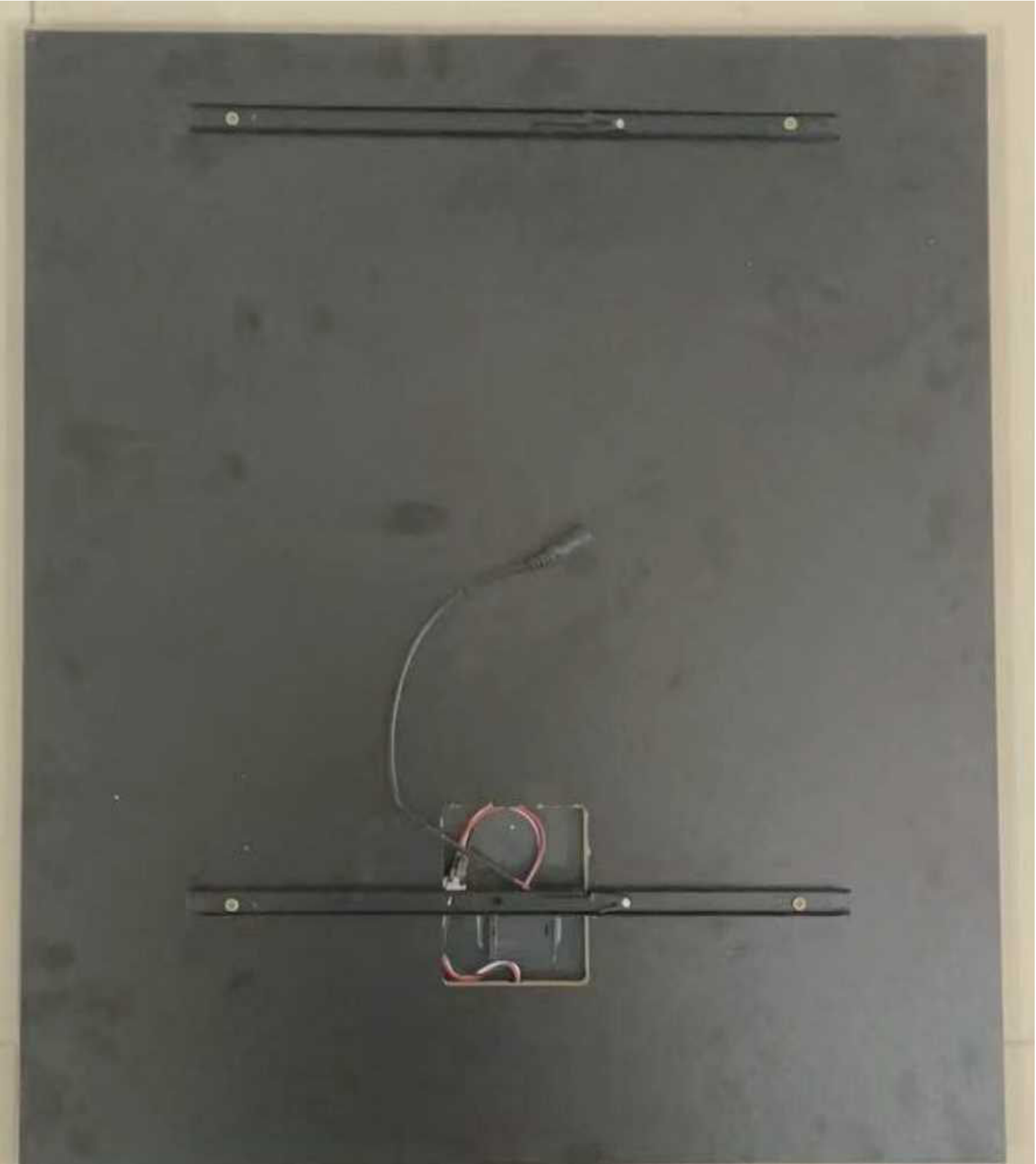
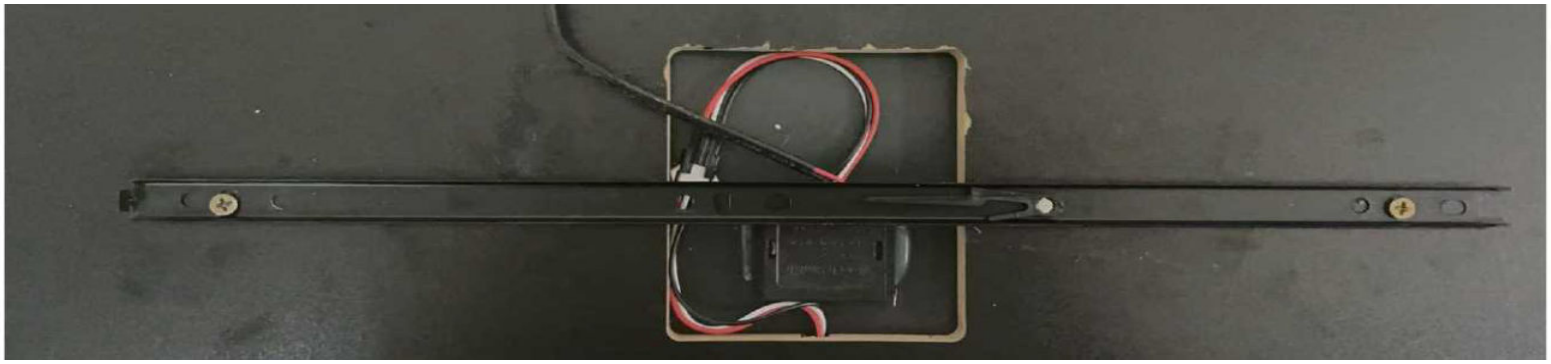
Step 18





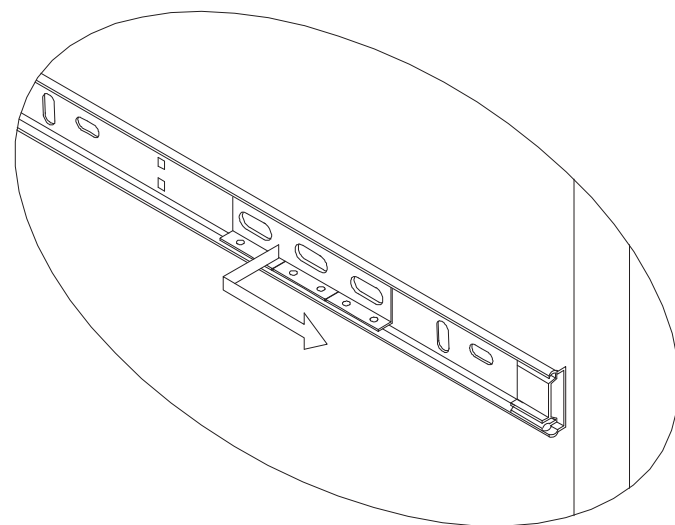
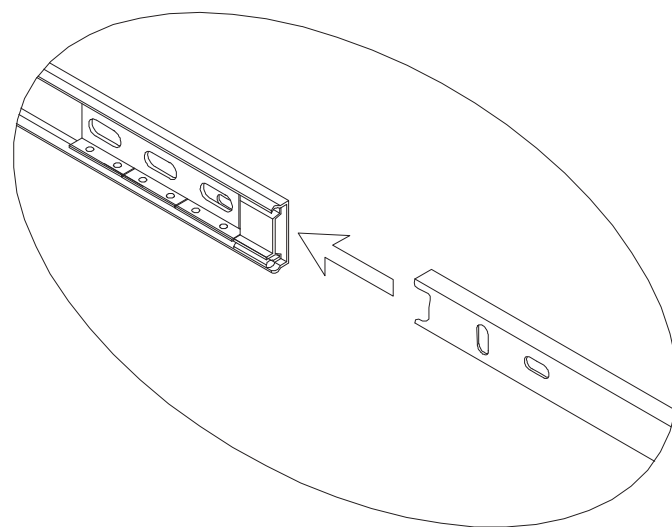
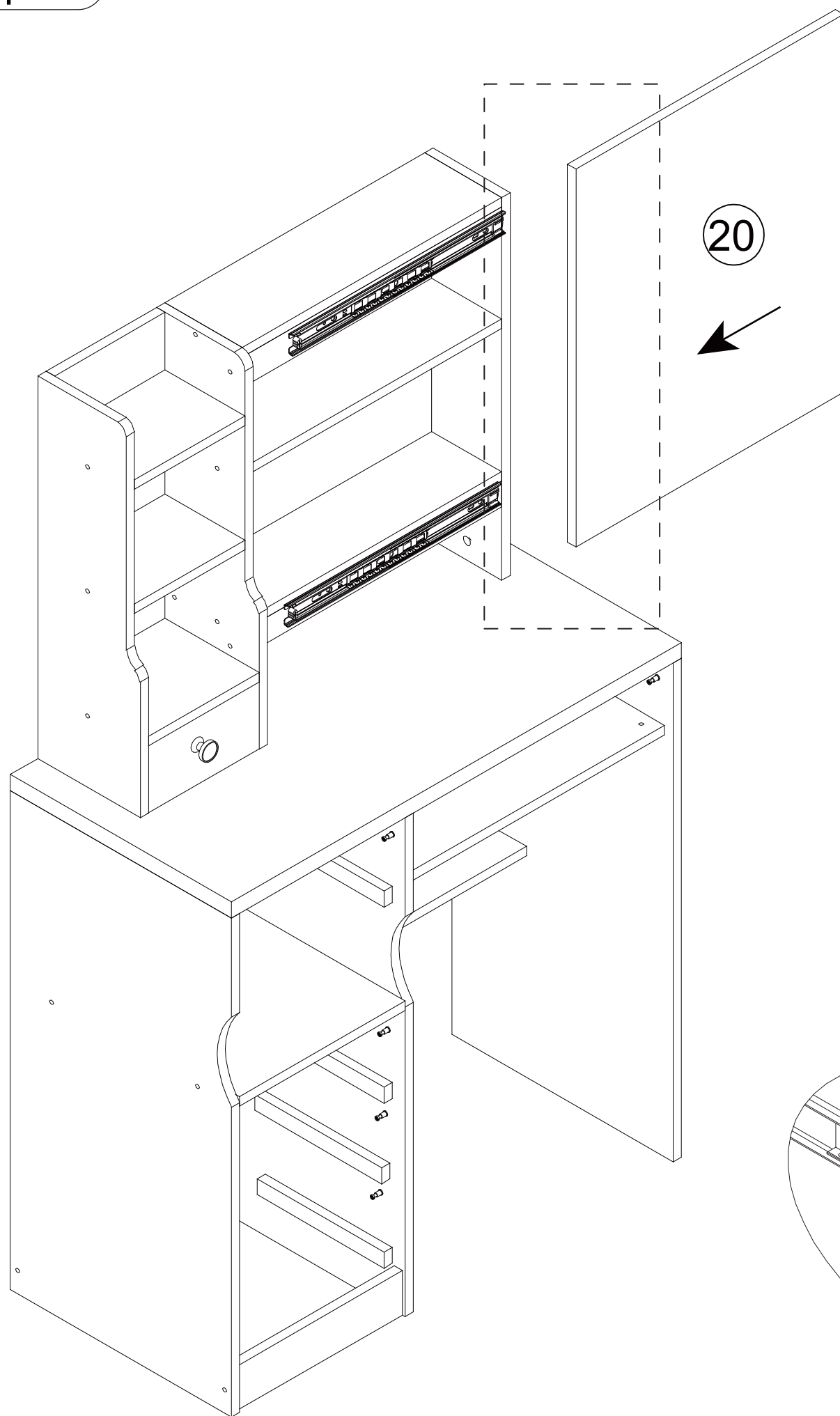
Step 19



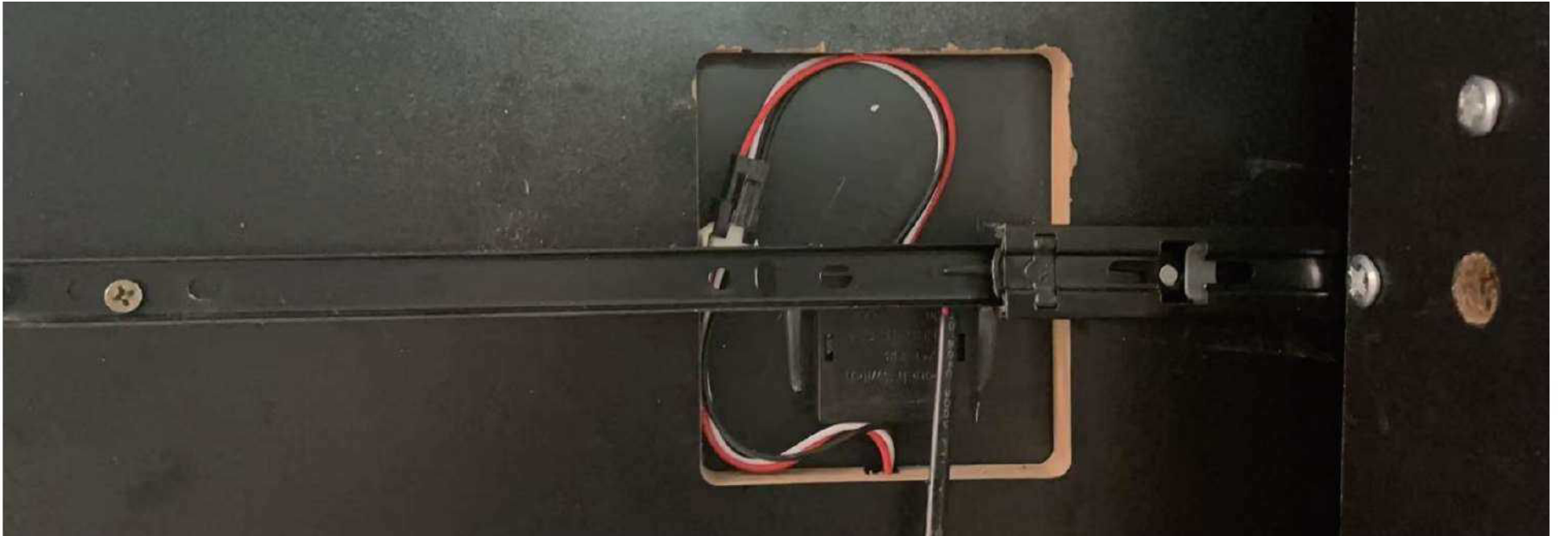


Simple version without touch switch and power cord

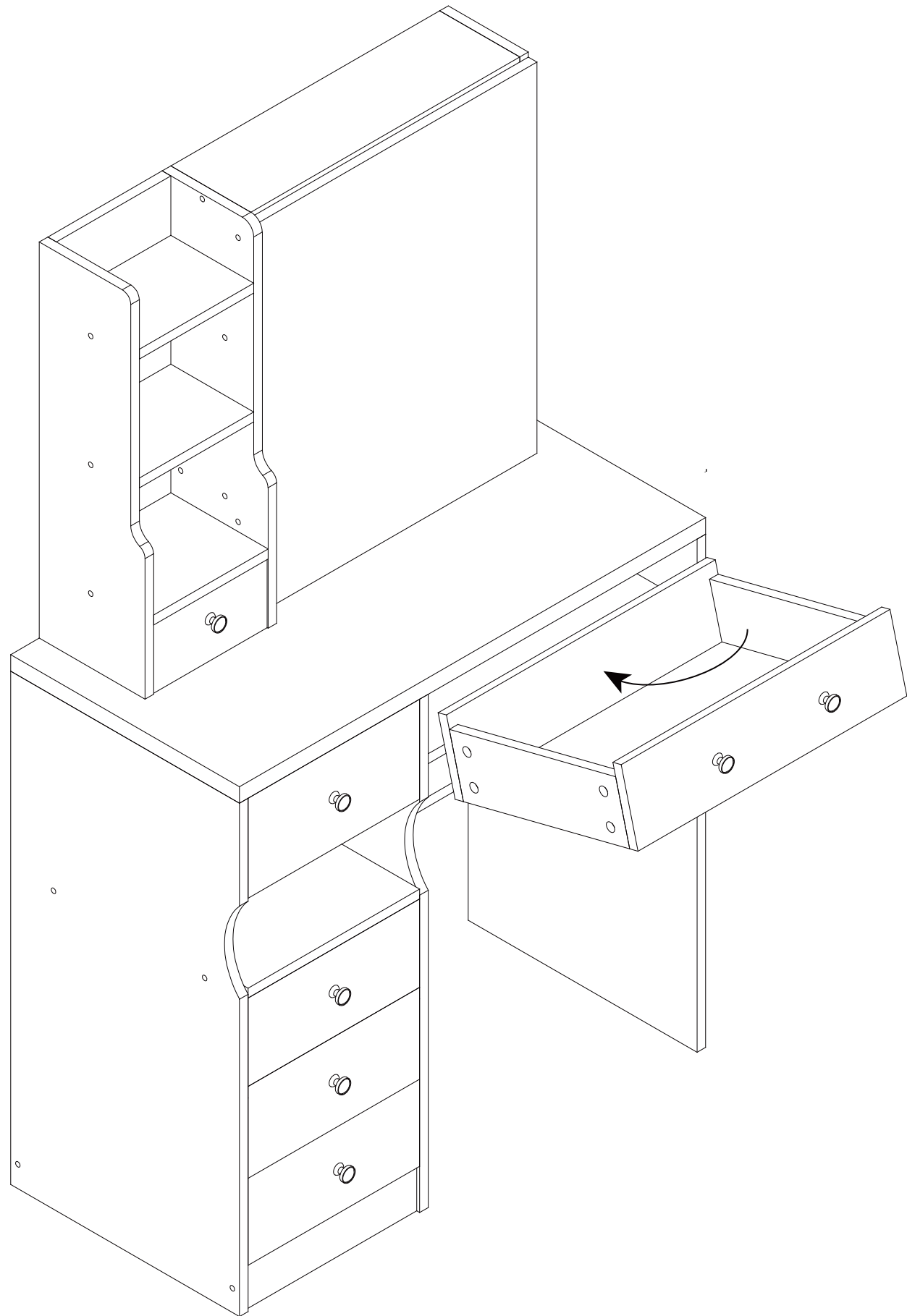
Step 20







## Step 21



Please note that when placing the drawer in, the drawer positioning pin will block the drawer. Therefore, please follow the diagram to first insert the inner edge of the drawer using a concave method, and then push the drawer flat.

Step 22

