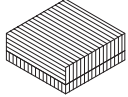




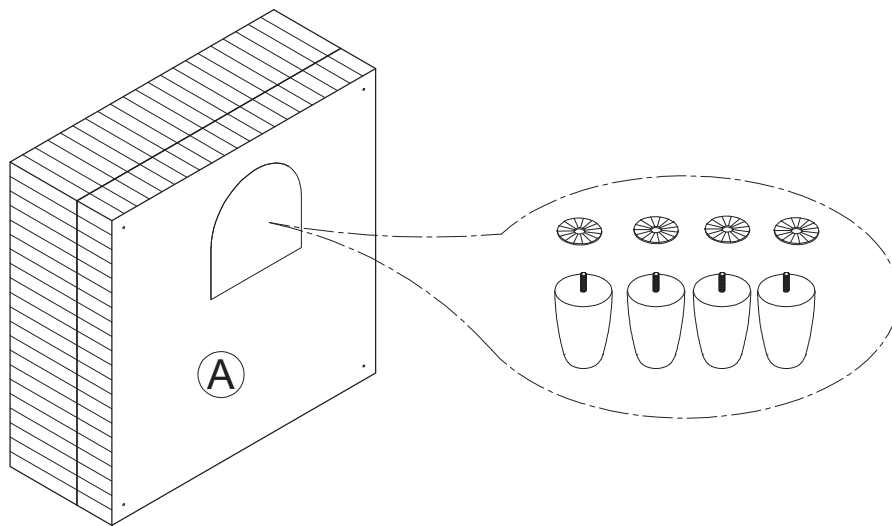
# ASSEMBLY INSTRUCTION

## OTTOMAN

LEGS, HARDWARE ARE STORED IN THE BOTTOM OF THE SEAT, PLEASE TAKE OUT FOR ASSEMBLY.

| NO. | PARTS LIST   | QTY | DESCRIPTION |
|-----|--|-----|-------------|
| A   |                     | 1   | Ottoman     |
| B   | <br>3-1/8" x 5-1/8" | 4   | Wooden Leg  |
| C   |                     | 4   | Washer      |

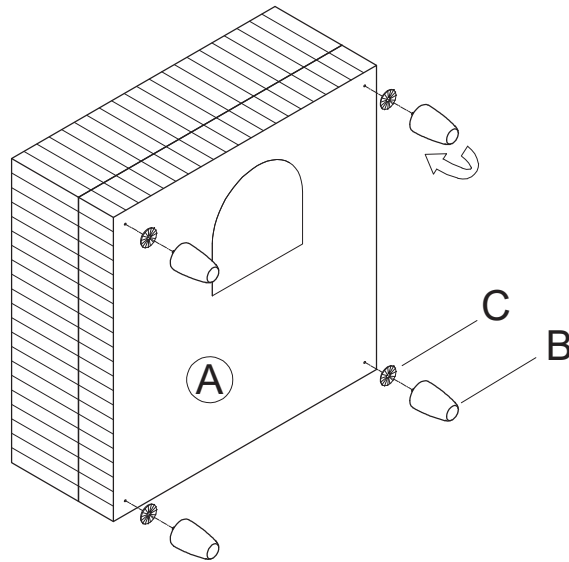
### STEP 1:



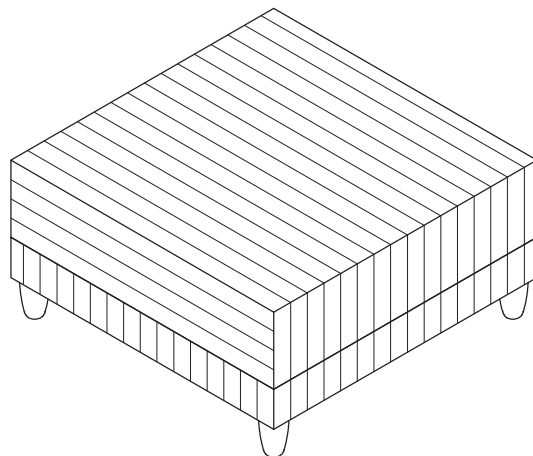
# ASSEMBLY INSTRUCTION

## OTTOMAN

### STEP 2:



### STEP 3 (Completed) :



#### CARE INSTRUCTION FOR FABRIC FURNITURE



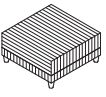
In order to maintain the original appearance of your fabric furniture, please follow below simple care procedures.

°Avoid exposing furniture directly to sunlight or heating and air conditioning outlets. Exposure to sunlight or heating and air conditioning outlets will fade/damage fabric.

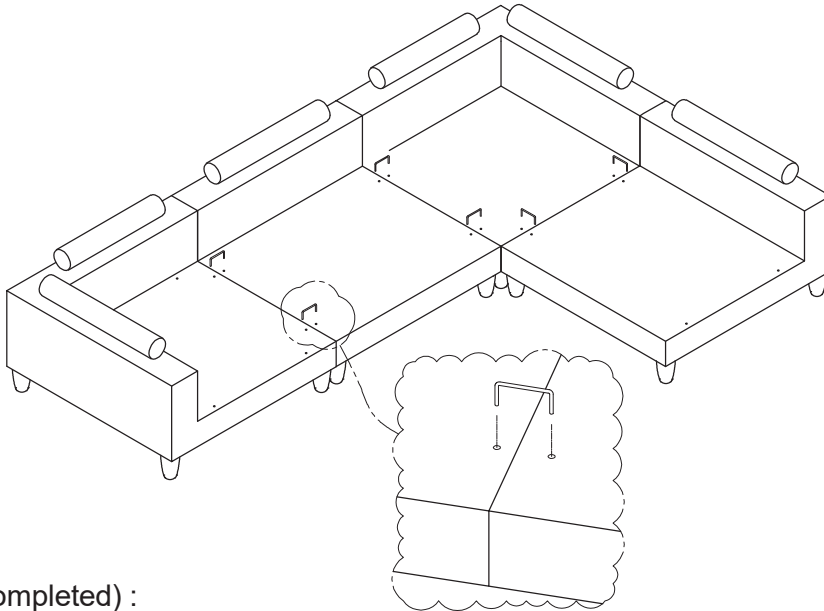
°Wipe gently with a damp soft cloth to remove dust, dirt and any grime build up.

# ASSEMBLY INSTRUCTION

## OTTOMAN

| NO. | PARTS LIST  | QTY | DESCRIPTION   |
|-----|---|-----|---------------|
| A   |  | 2   | ARMLESS CHAIR |
| B   |  | 2   | CORNER SEAT   |
| C   |  | 1   | OTTOMAN       |

STEP 1 :



STEP 2 (Completed) :

