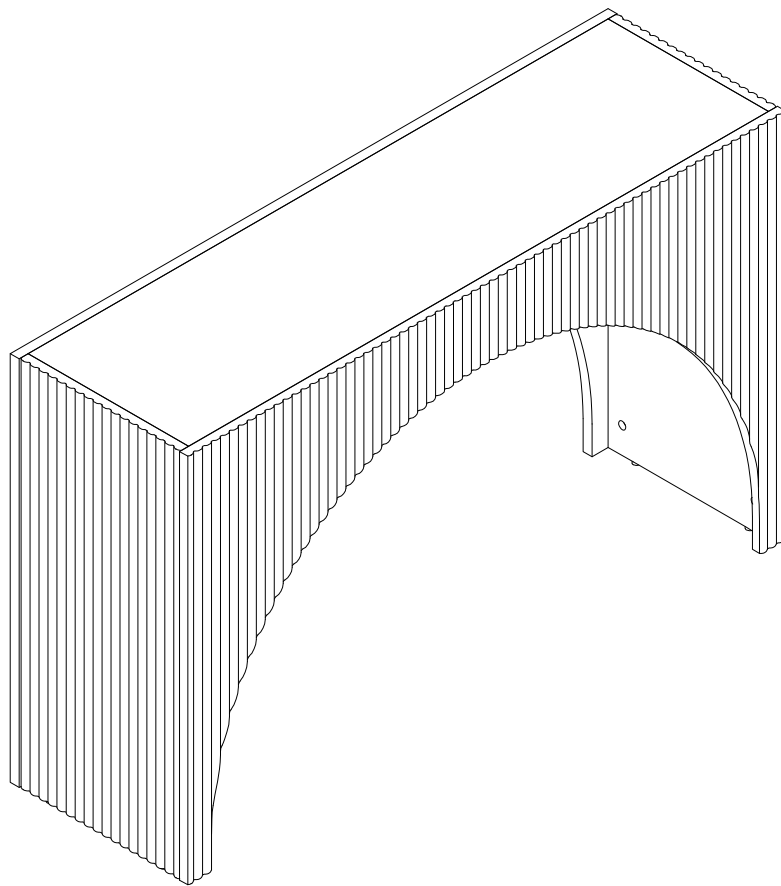


# Console table



## SAFETY WARNINGS

- ★ **CHOKING HAZARD:** Keep all small parts and packaging materials (plastic bags, foam, film, etc.) away from children and pets during and after assembly. Swallowing or inhaling small components can be fatal.
- ★ **TIP-OVER HAZARD:** Furniture can tip over if misused, causing serious or fatal injury. Never allow children to climb, stand, or hang on this product.
- ★ **GENERAL SAFETY:** To prevent injury or damage, keep sharp objects and corrosive substances away from the product and children.

## BEFORE YOU BEGIN

- ★ **Read First:** Carefully read through this entire manual before starting assembly.
- ★ **Inspect Parts:** Identify all parts using the illustrated list. If anything is missing or damaged, stop and contact us immediately. Do not proceed with assembly.
- ★ **Prepare Space:** Assemble on a clean, soft, and spacious surface (e.g., a carpet) to prevent scratches and damage to parts and your floor.
- ★ **Use Protection:** We recommend wearing the provided gloves during assembly to protect against sharp edges.

## ASSEMBLY INSTRUCTIONS

- ★ **Match Parts:** Correctly match all parts and hardware using the numbered/lettered codes provided in the manual.
- ★ **Fitting Issues:** If a part does not fit, do not force it. Double-check the code and diagram to ensure you have the correct component.
- ★ **Screwing Technique:** For a stable build, first align and hand-tighten all screws into their pre-drilled holes. Once all screws are in place, use the tool to firmly tighten them one by one.
- ★ **Final Check:** After assembly, ensure all screws and connectors are secure.

## USE & CARE

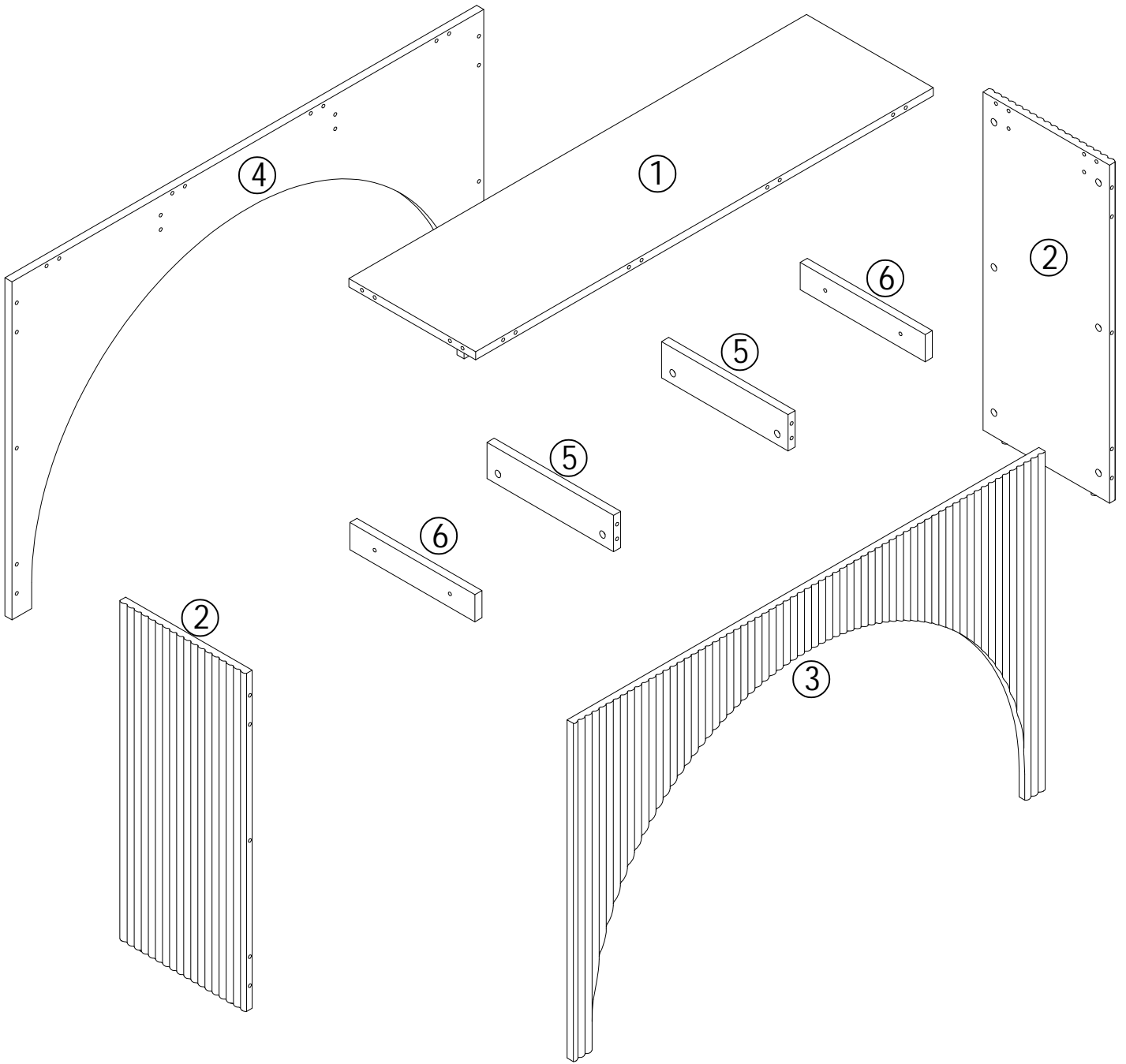
- ★ **Placement:** Always use the product on a level and solid ground.
- ★ **Stability Check:** Periodically (every few months) inspect and retighten screws and fittings to ensure long-term structural integrity.

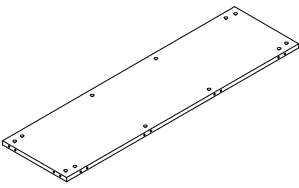
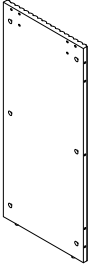
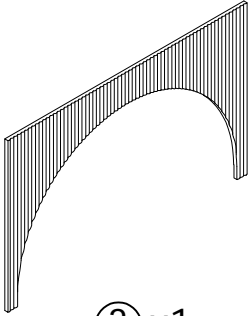
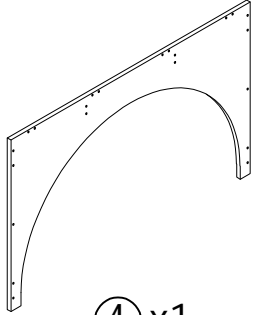
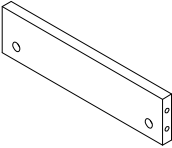
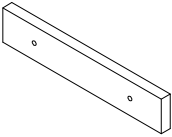
### Surface Care:


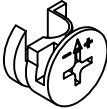
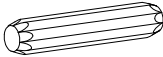
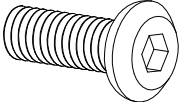
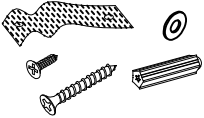
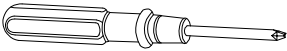
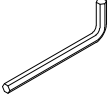
- ★ **Wipe spills immediately** with a dry, soft cloth.
- ★ **Do not place hot objects** directly on the surface.
- ★ **Avoid long-term exposure** to direct sunlight, high temperatures, and humid environments to prevent fading, warping, or mildew.
- ★ **General Care:** Keep the product away from sharp objects and corrosive chemicals to avoid damage.

## CONTACT US

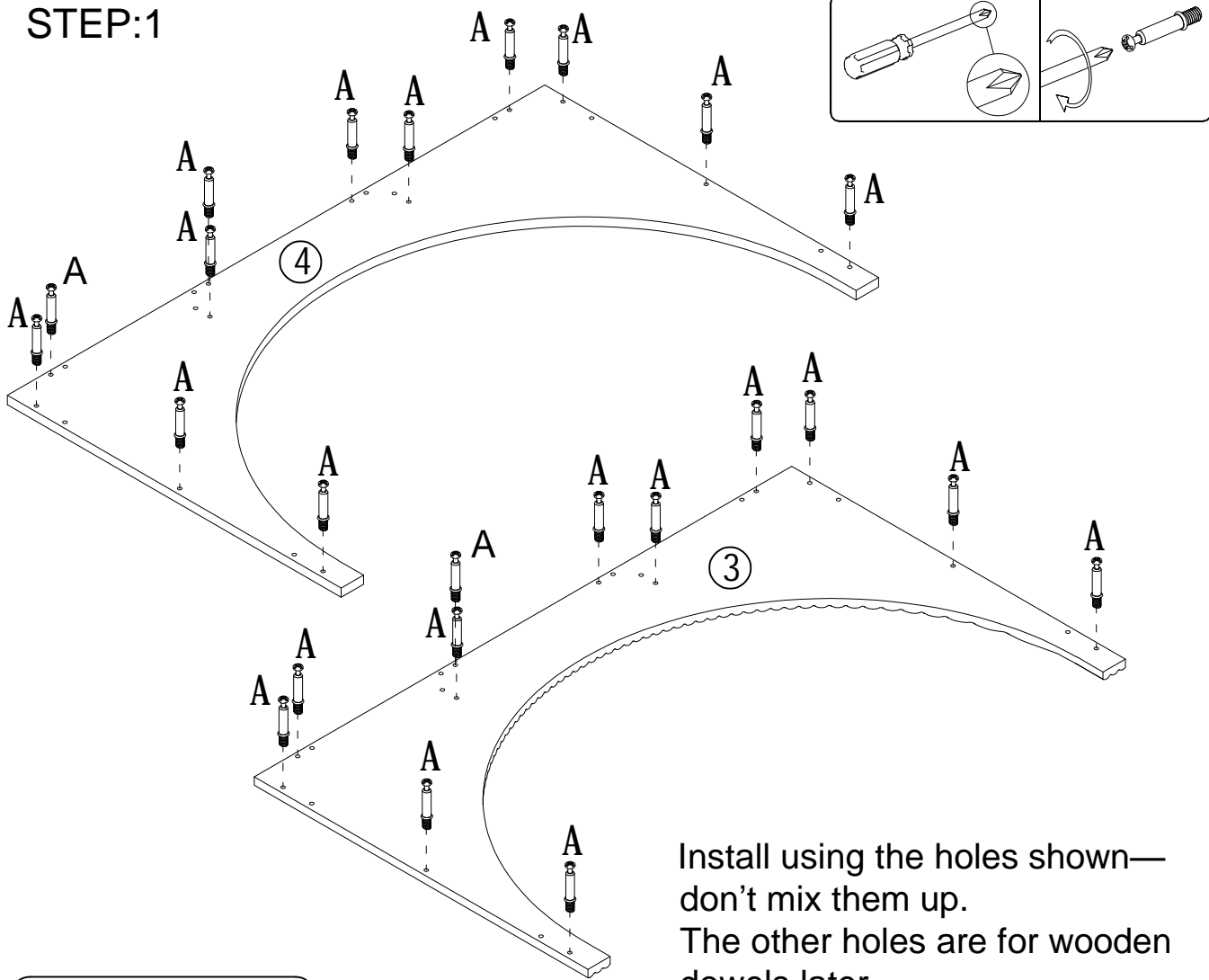
- ★ **We are here to help!** For any questions, missing parts, or further assistance, please get in touch with us directly through your order page.

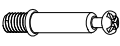


 <p>① x1</p>	 <p>② x2</p>	 <p>③ x1</p>	 <p>④ x1</p>
 <p>⑤ x2</p>	 <p>⑥ x2</p>		

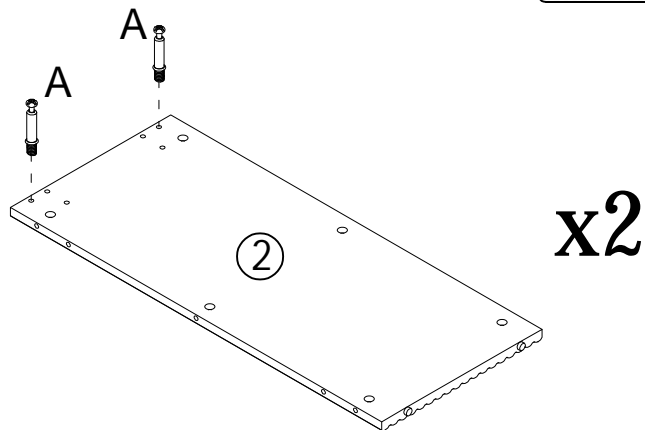
<p><b>A</b></p>  <p>28+2 pcs</p>	<p><b>B</b></p>  <p><math>\Phi 15 \times 9.5\text{mm}</math> 28+2 pcs</p>	<p><b>C</b></p>  <p>24+2 pcs</p>	<p><b>D</b></p>  <p>4+1 pcs</p>
<p><b>E</b></p>  <p>2 pcs</p>	<p><b>Installation tools</b></p>  <p>1 pcs</p>  <p>#4 1 pcs</p>		

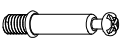
# STEP:1



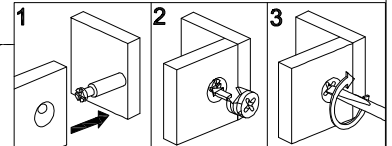
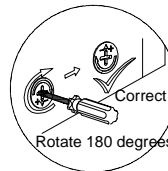
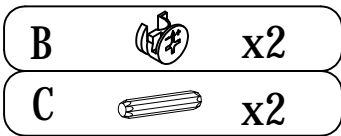
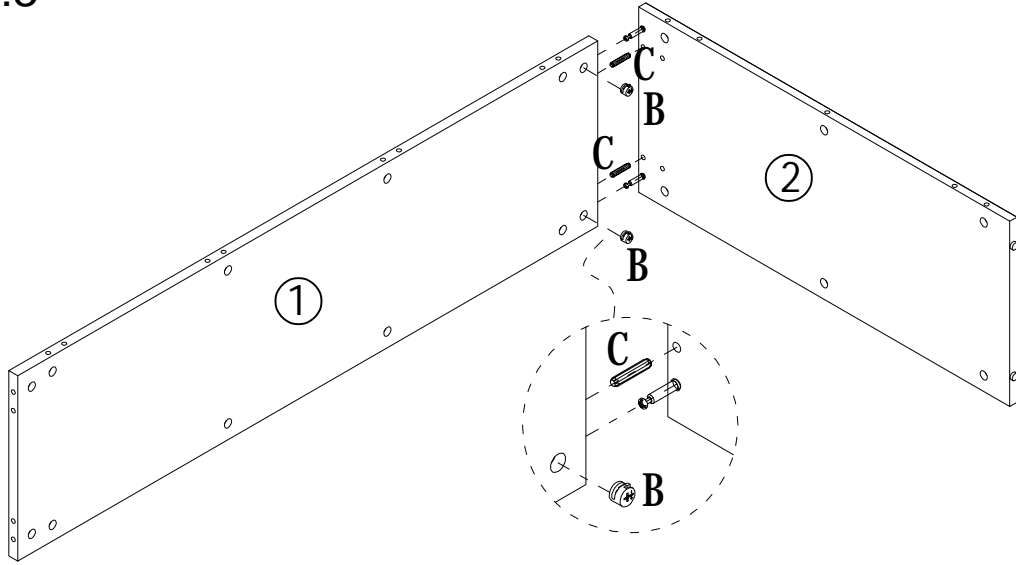
A  x24

# STEP:2

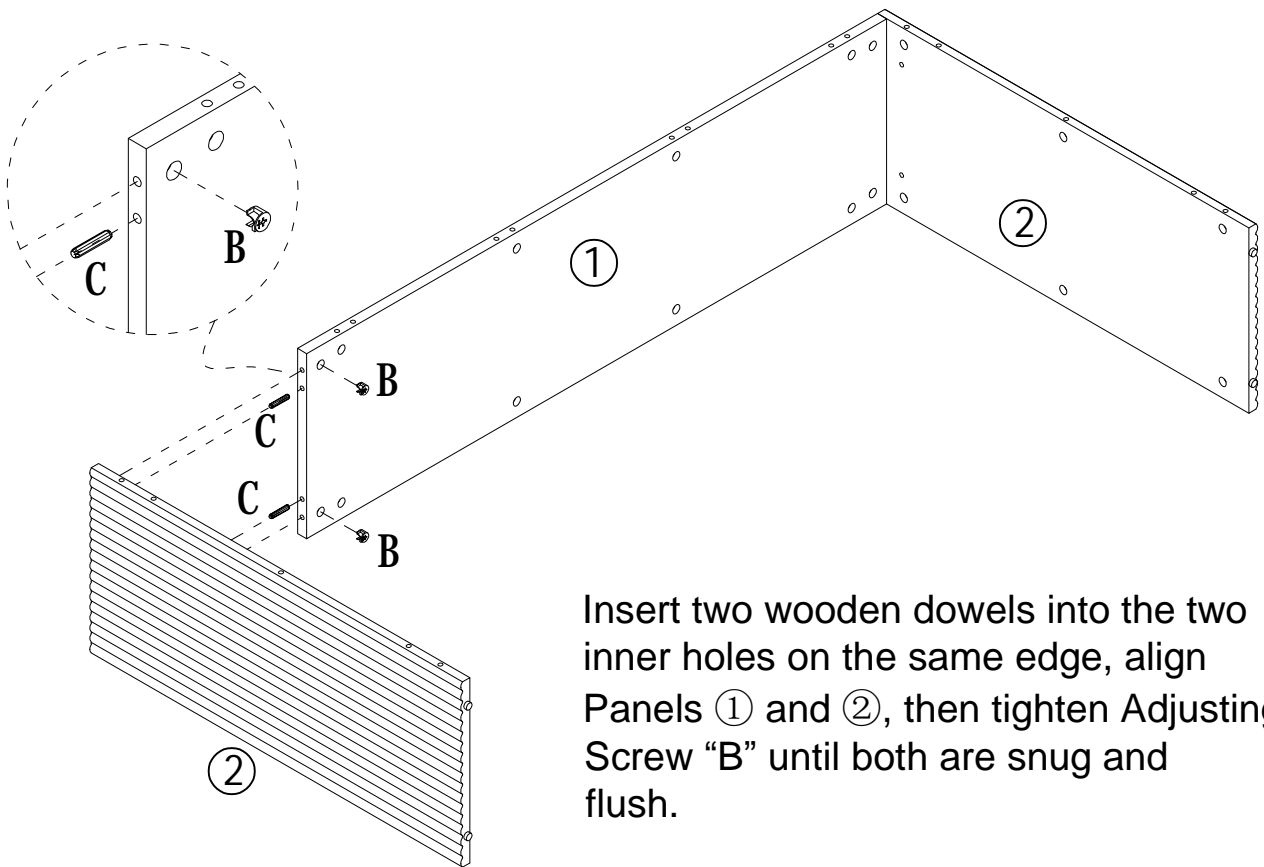


A  x4

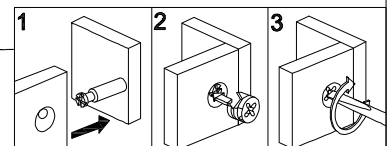
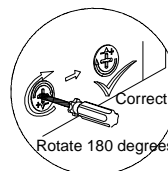
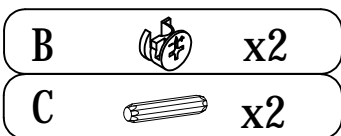
### STEP:3



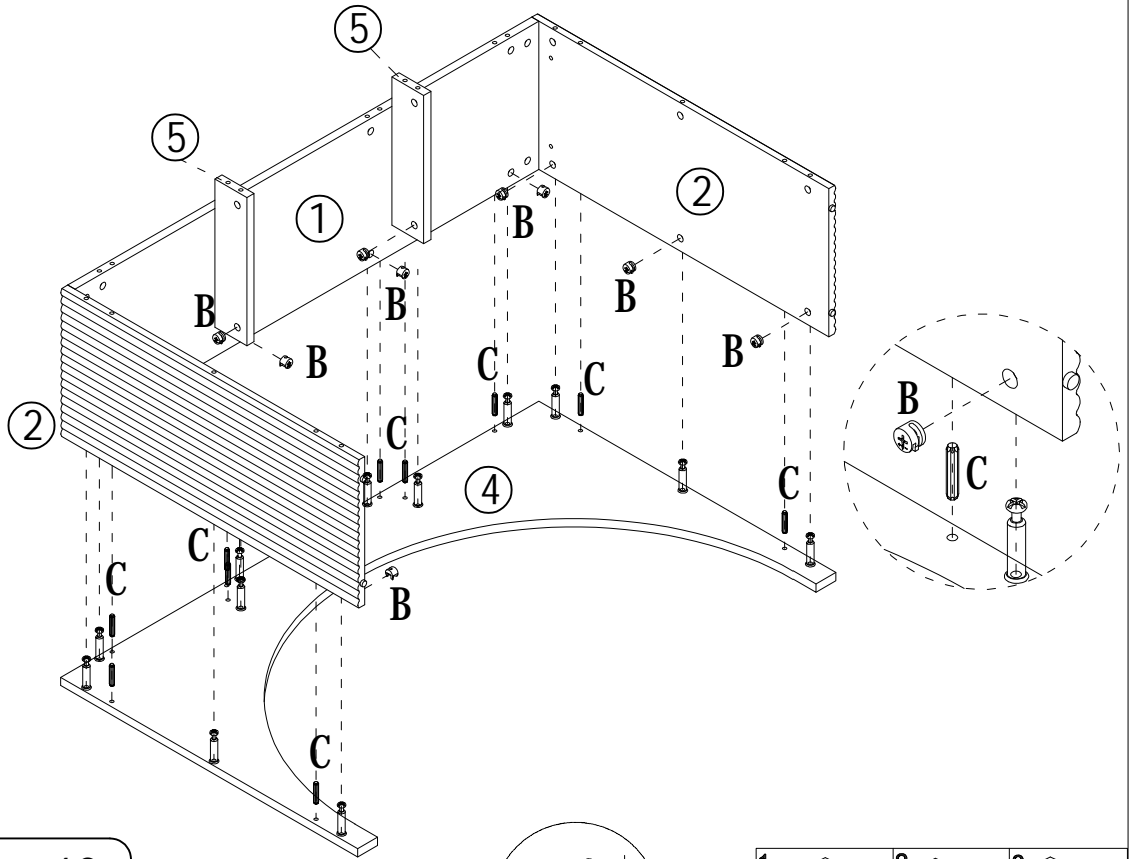
### STEP:4





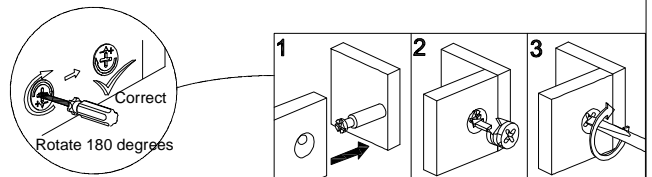
Insert two wooden dowels into the two inner holes on the same edge, align Panels ① and ②, then tighten Adjusting Screw "B" until both are snug and flush.



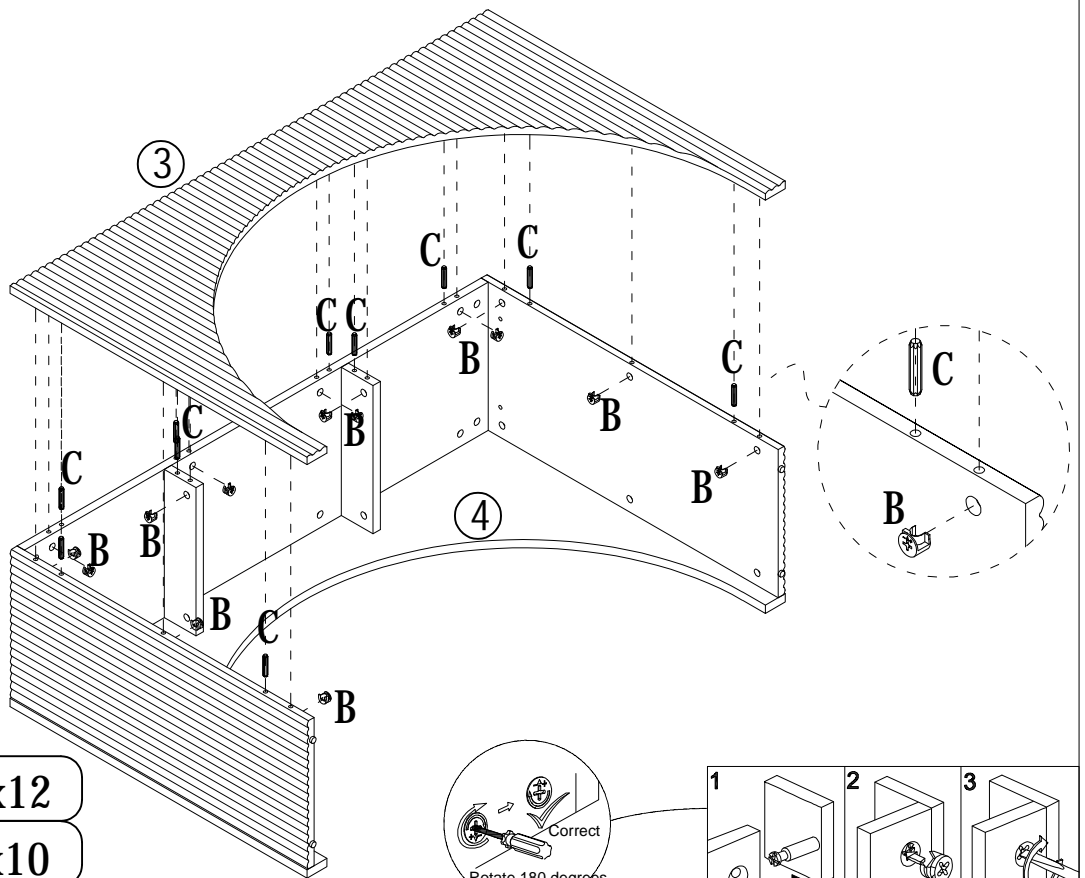
# STEP:5





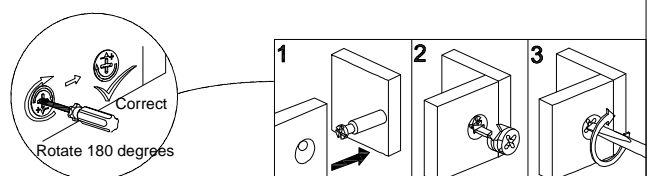
- B  x12
- C  x10



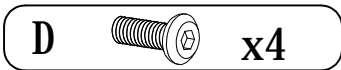
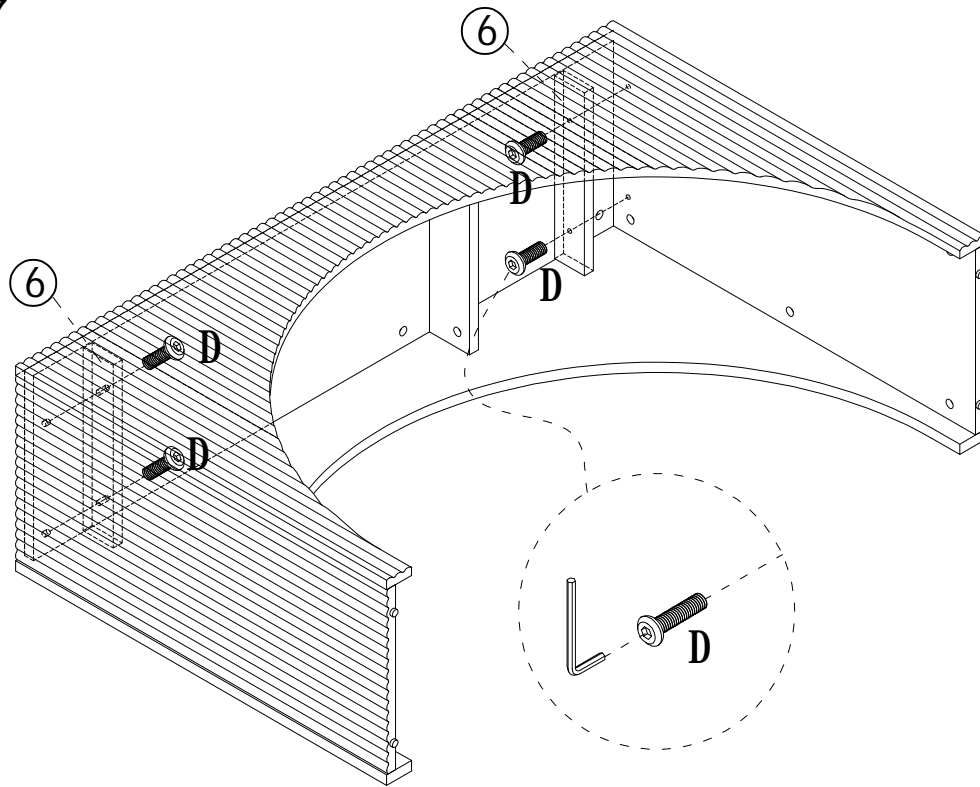
# STEP:6



- B  x12
- C  x10



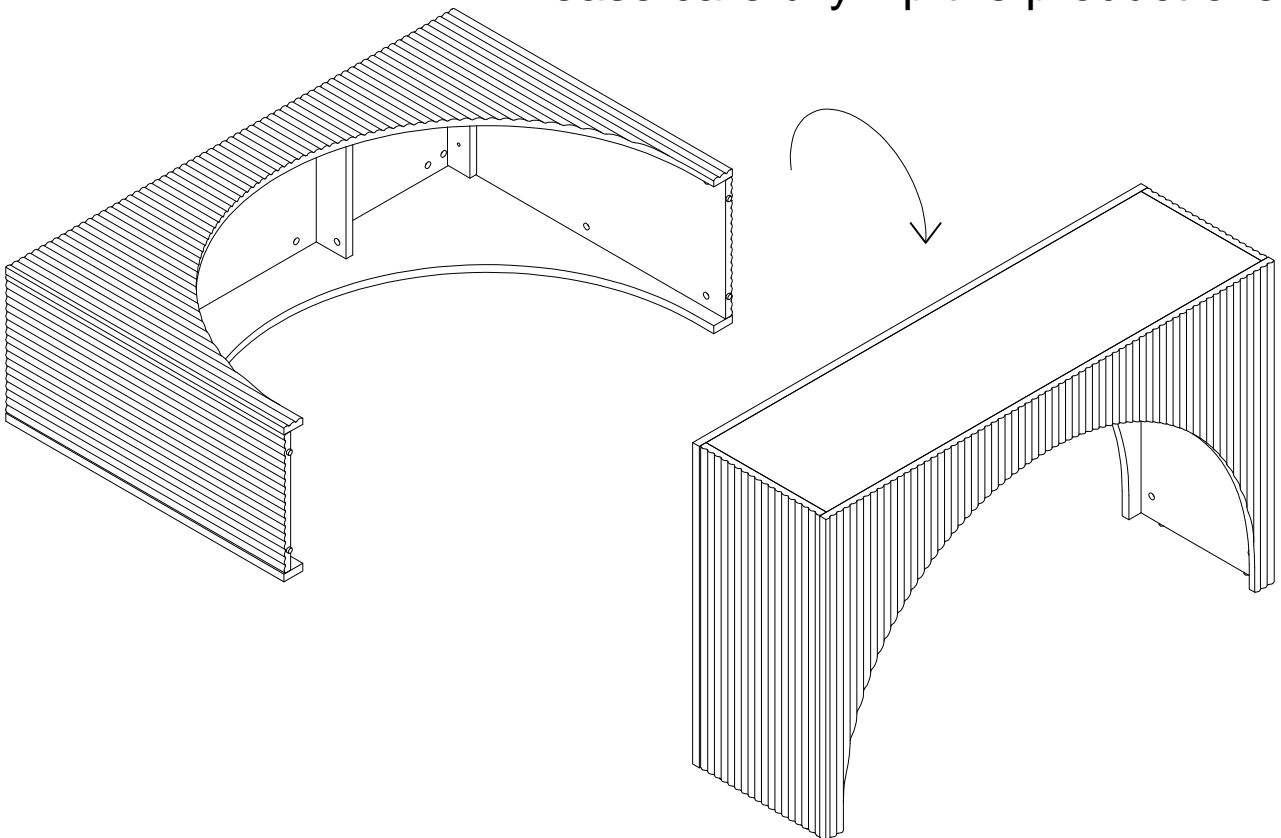
### STEP:7



Attach the two ⑥ slats to Panel ② with Screws D.

### STEP:8

Please carefully flip the product over



# STEP:9

Install the anti-tip device.

