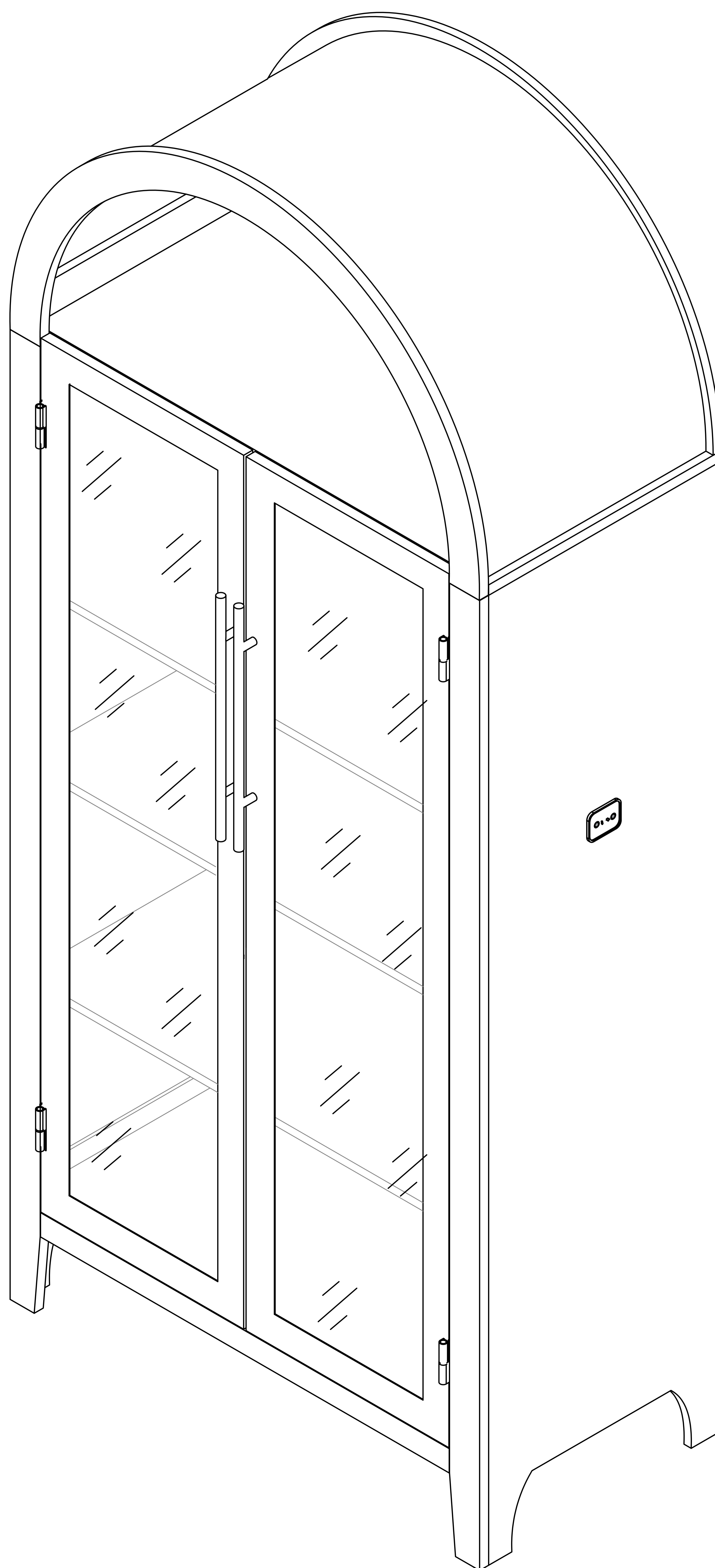
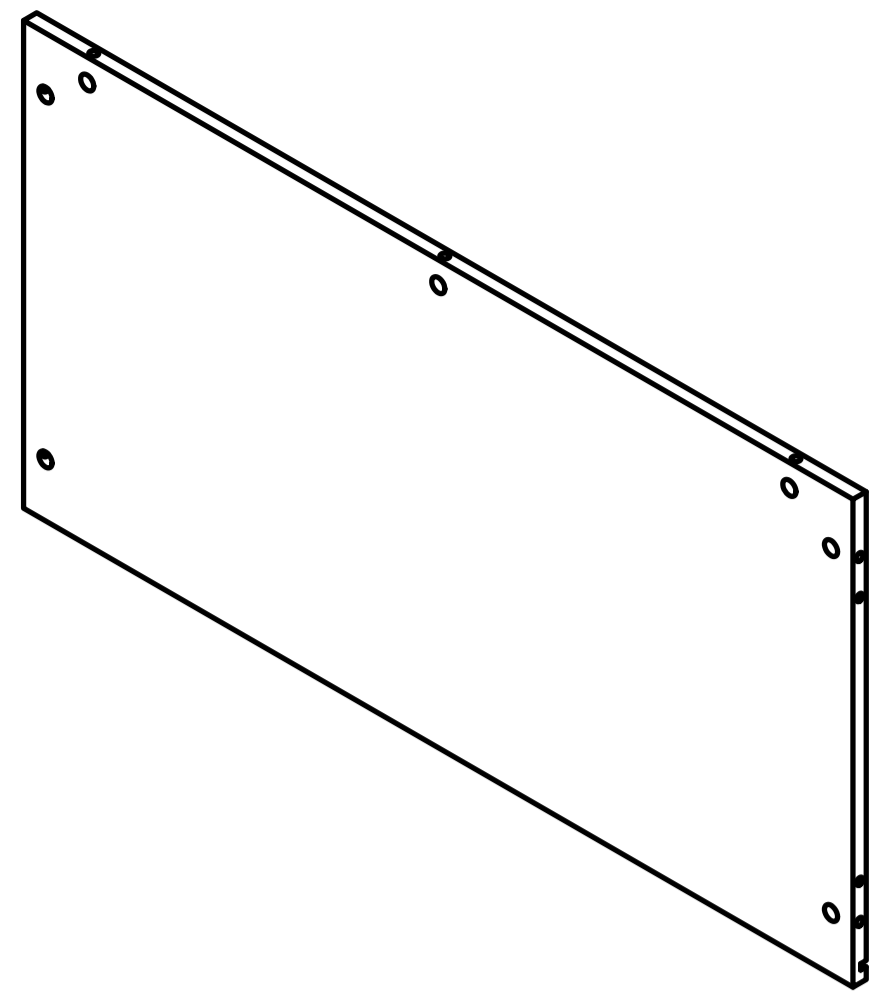
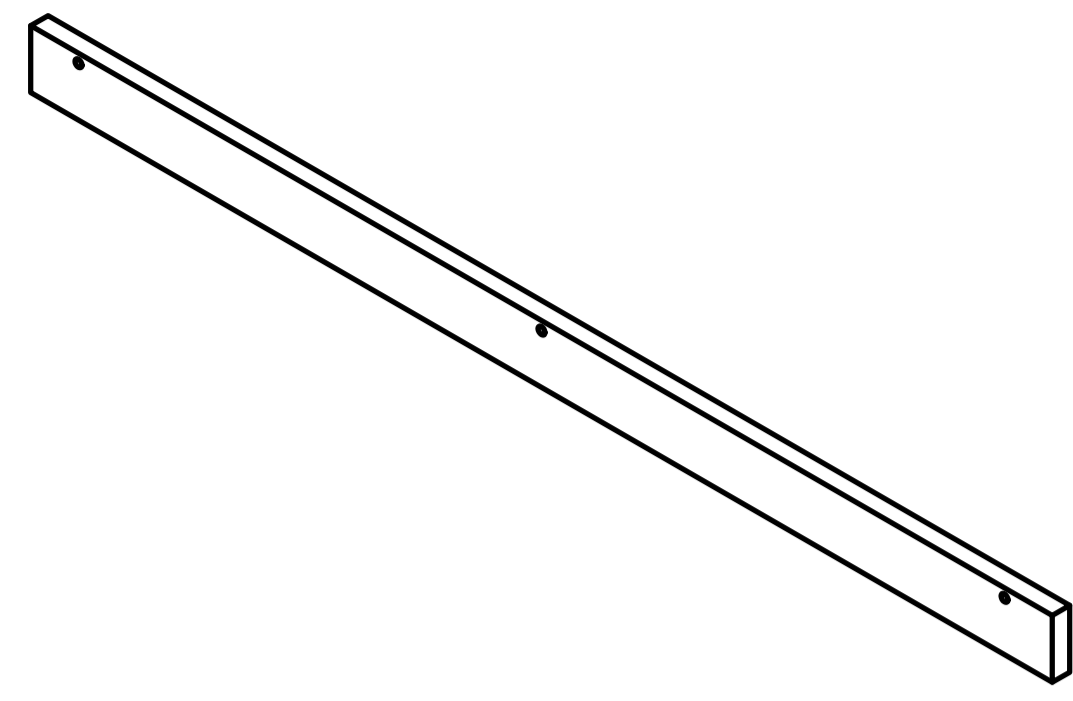


Product Installation Instructions

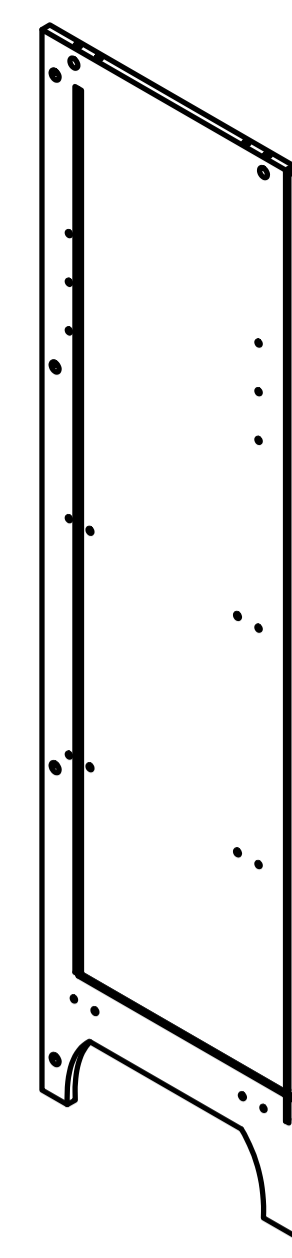




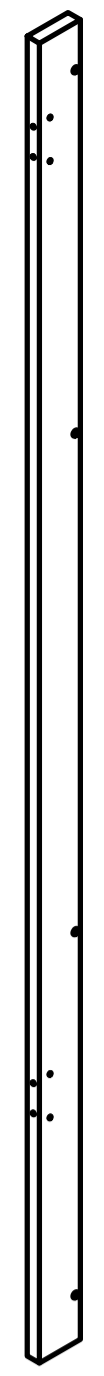
A x1



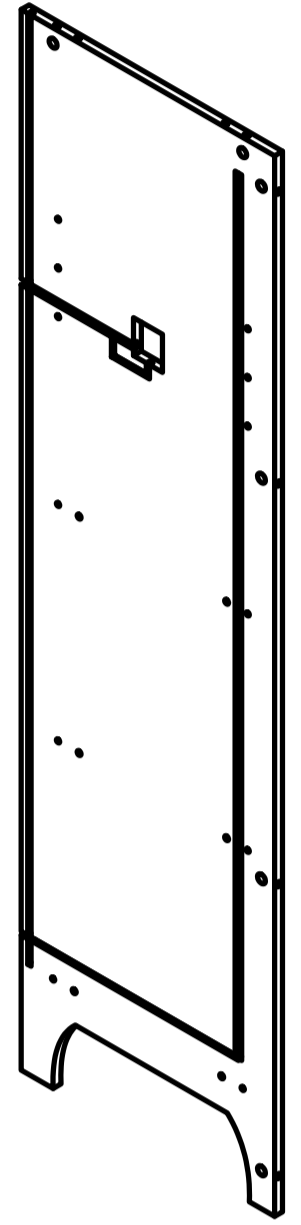
B x1



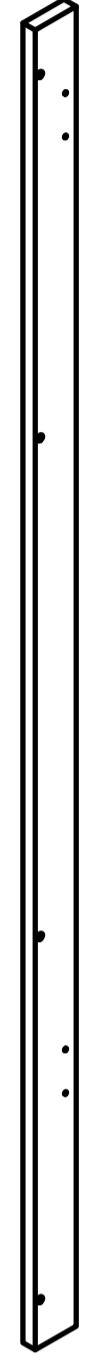
C x1



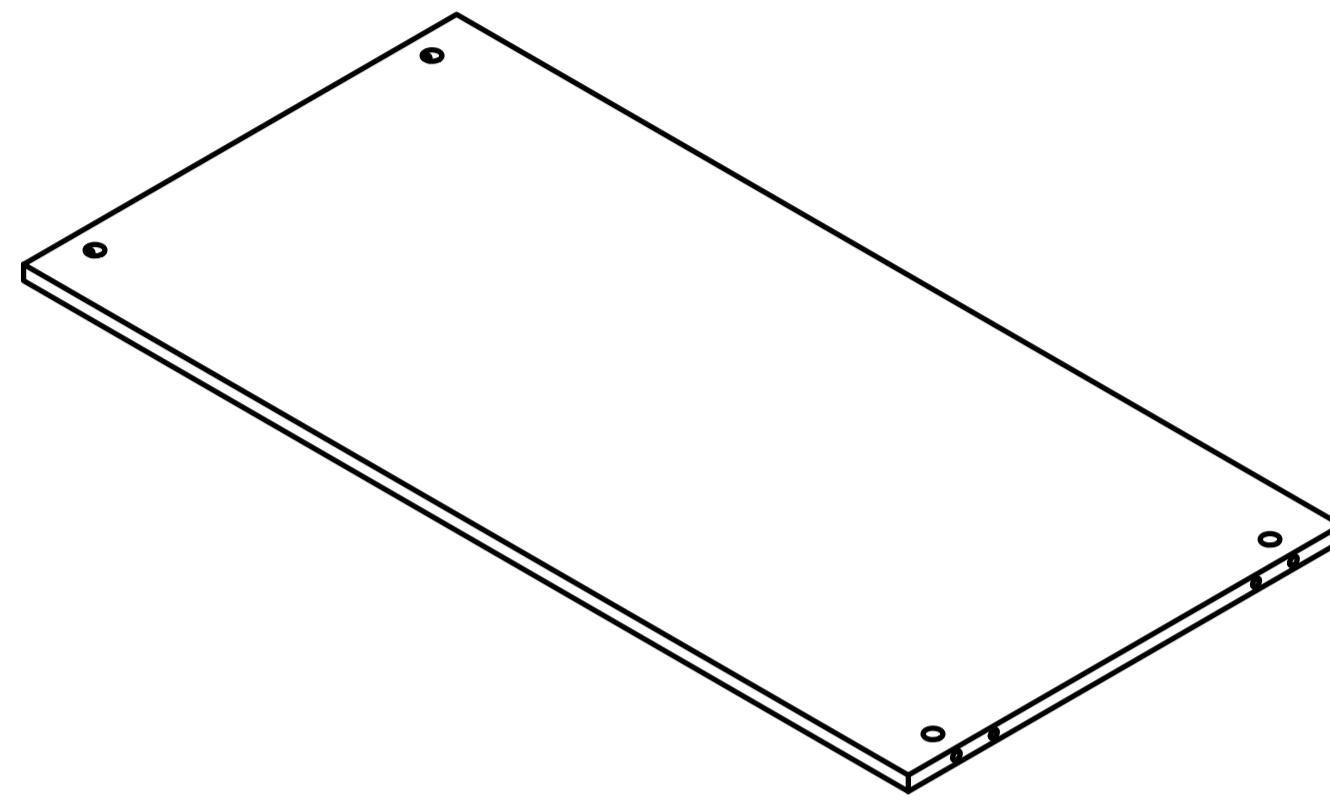
D x1



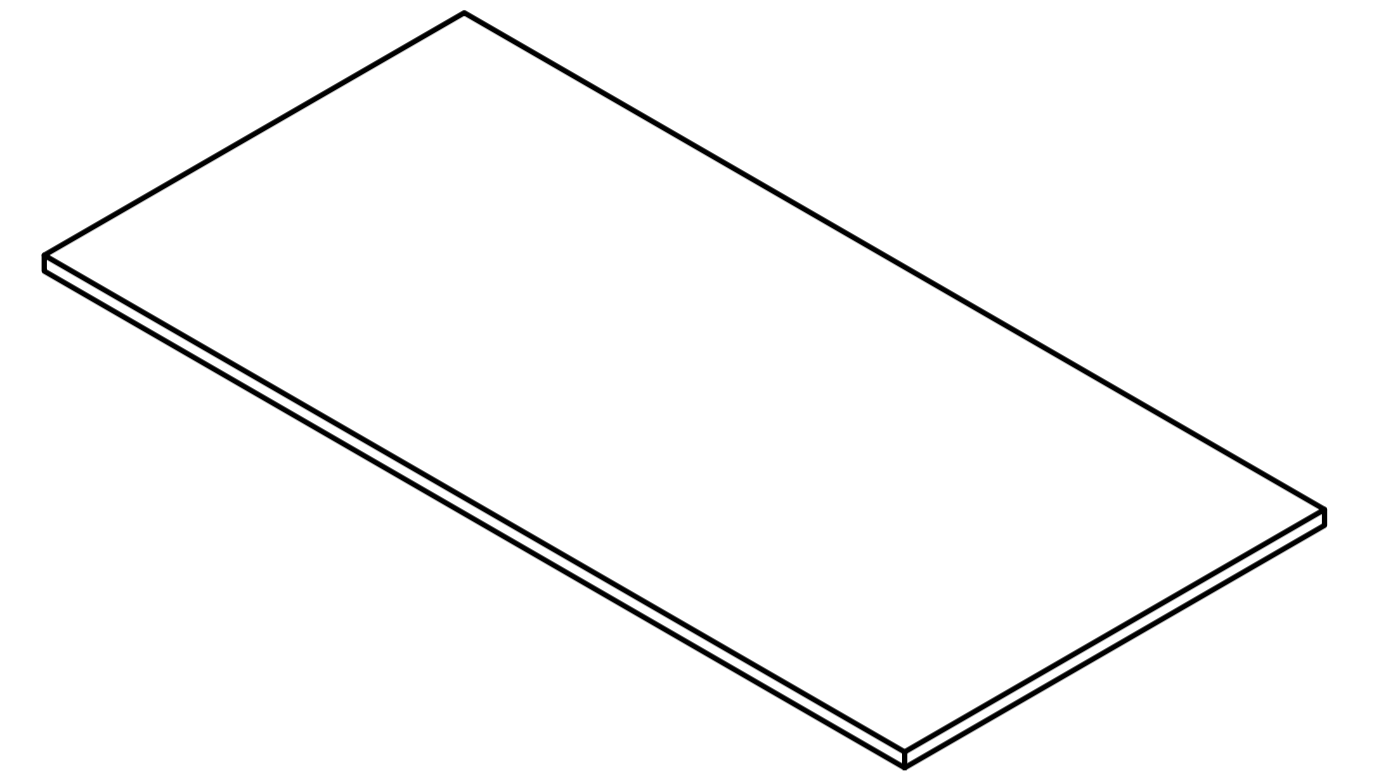
E x1



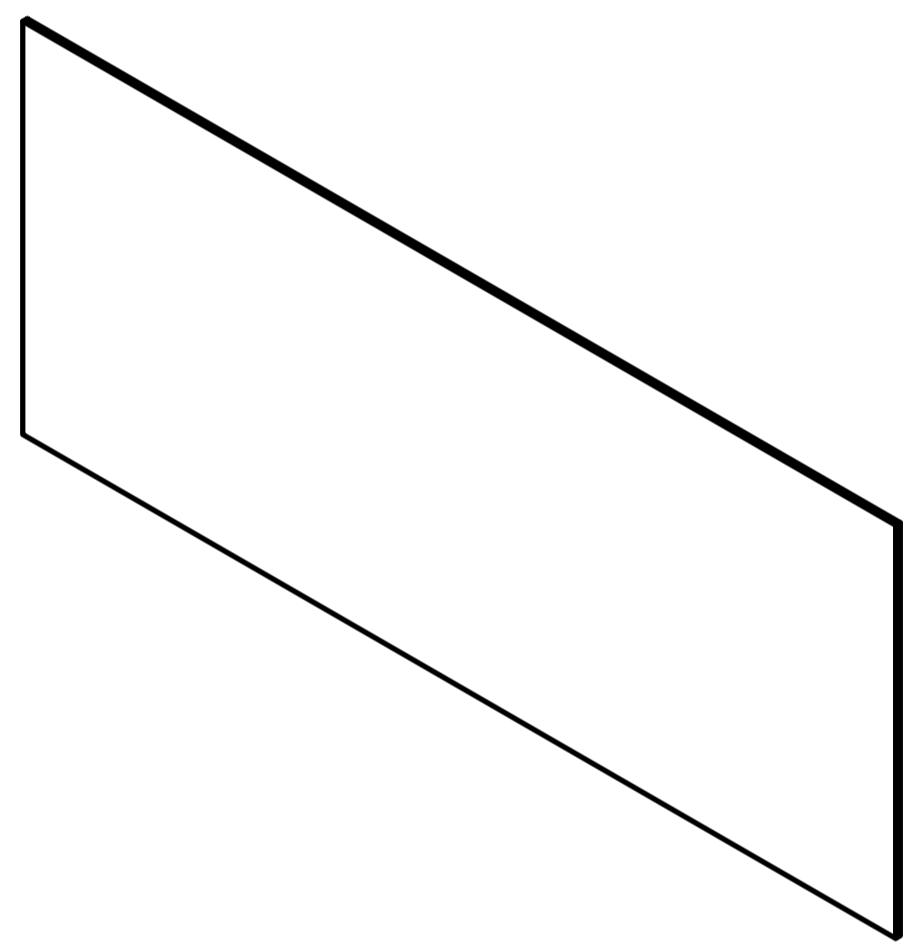
F x1



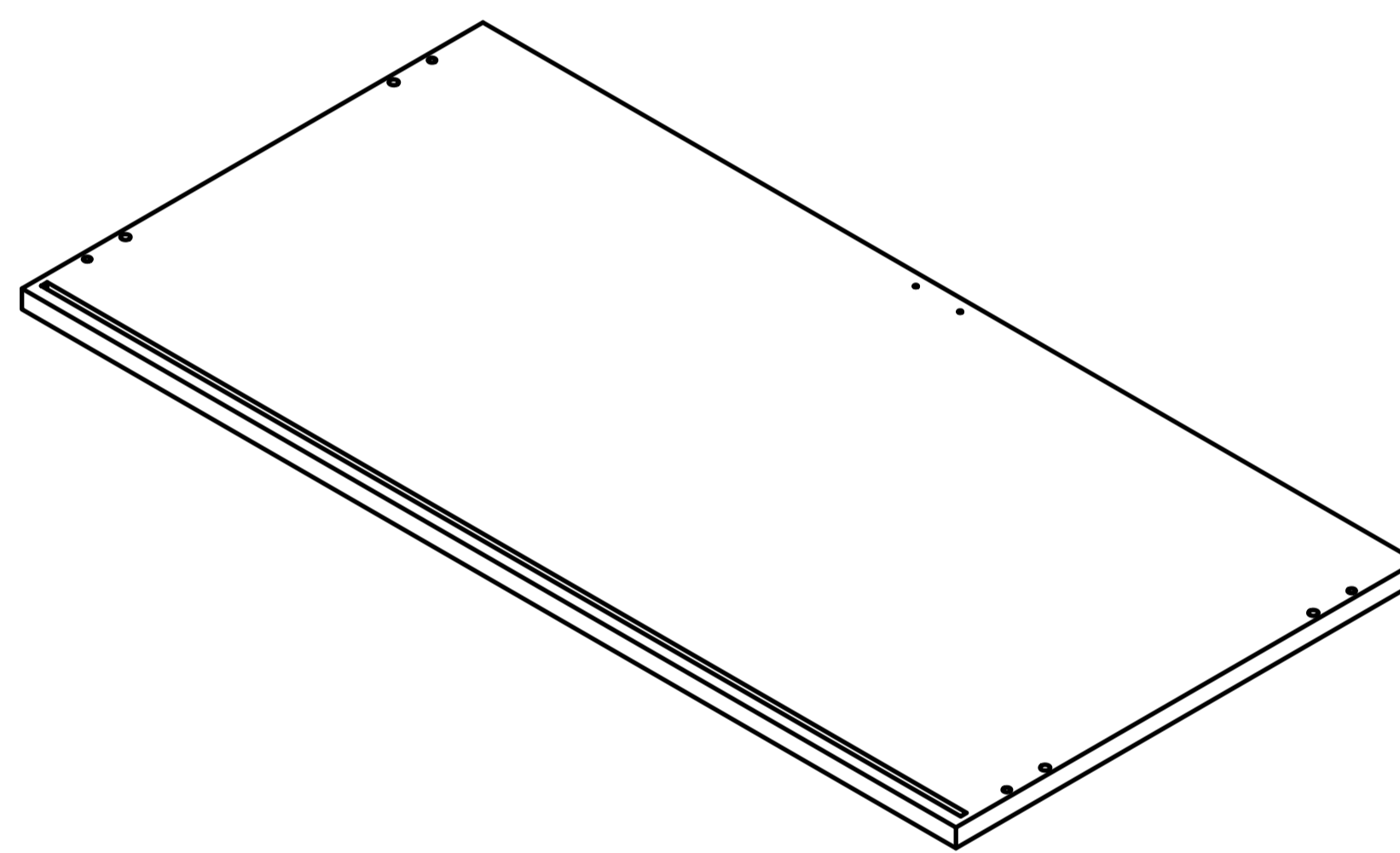
G x2



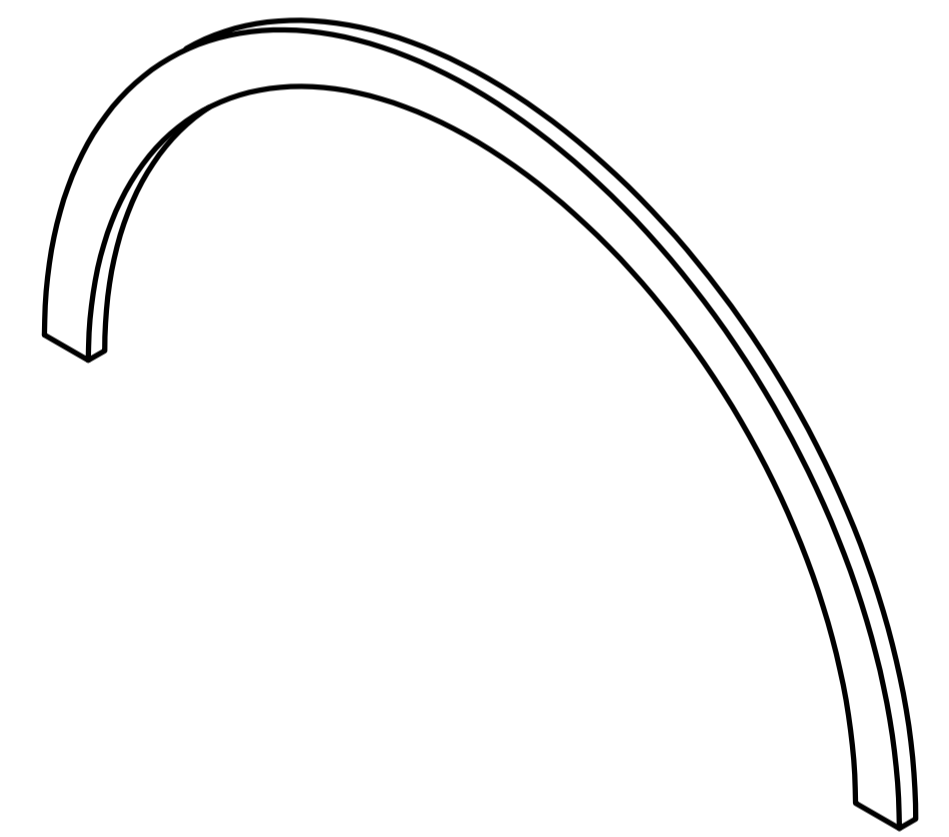
H x1



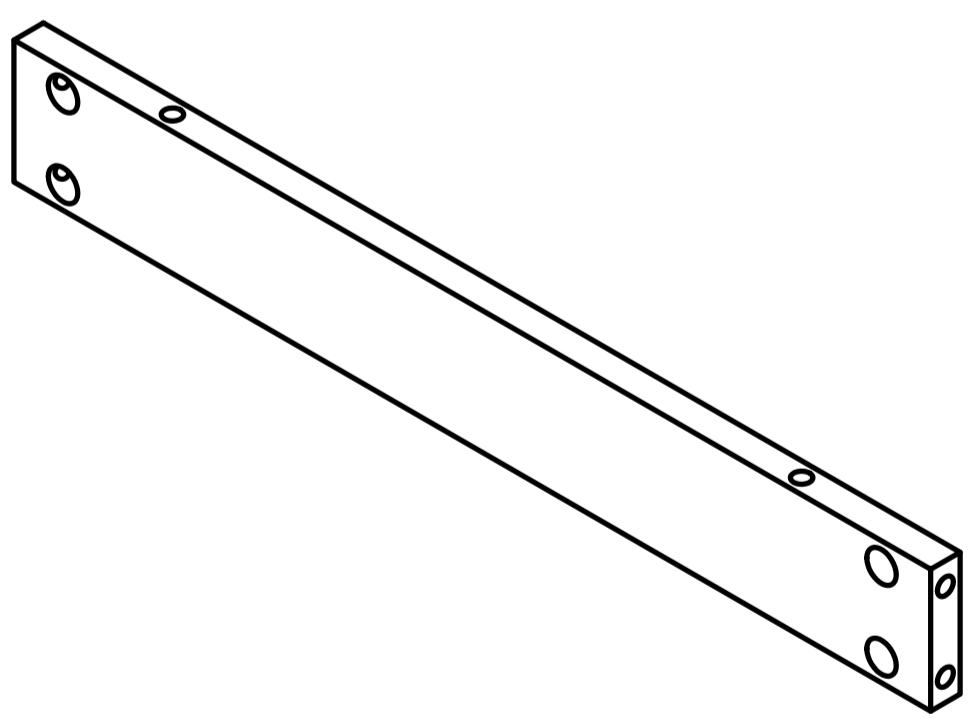
I x4



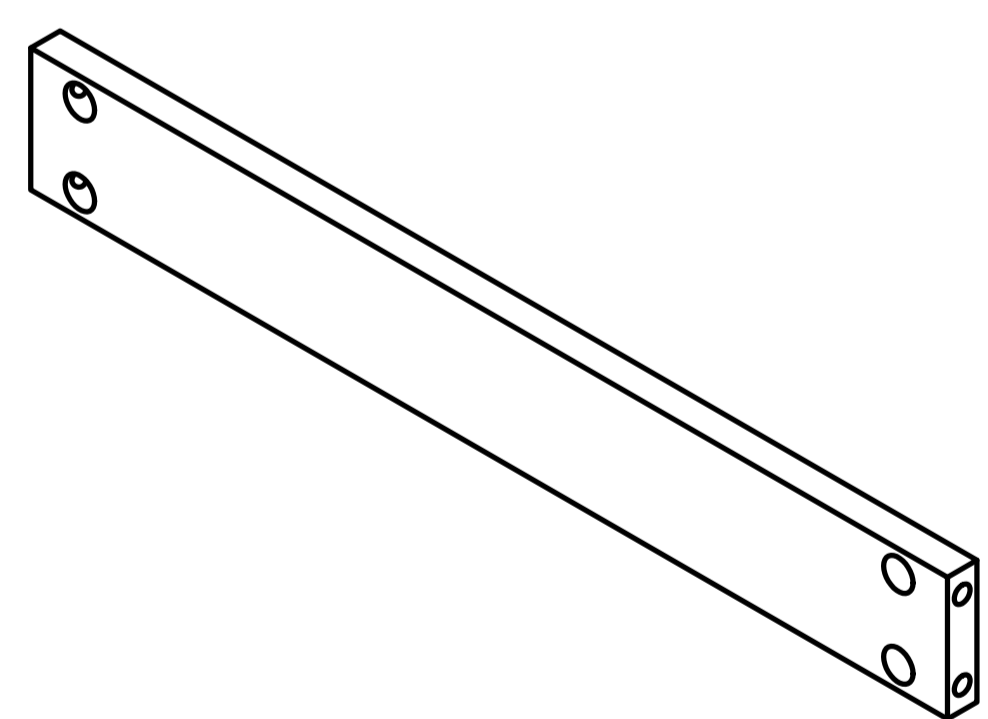
J x1



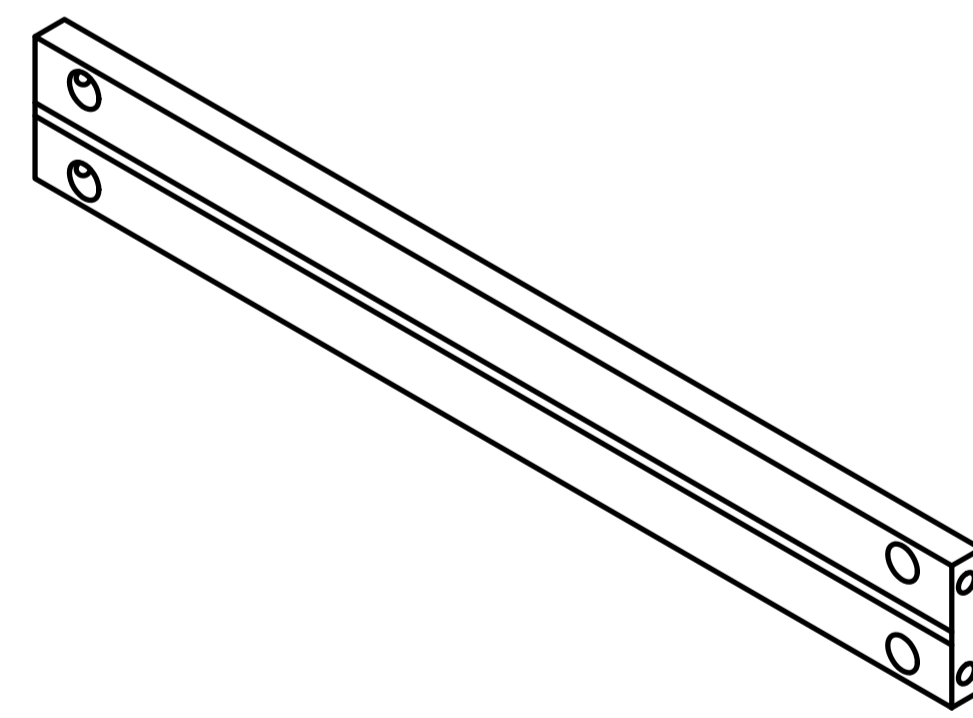
K x1



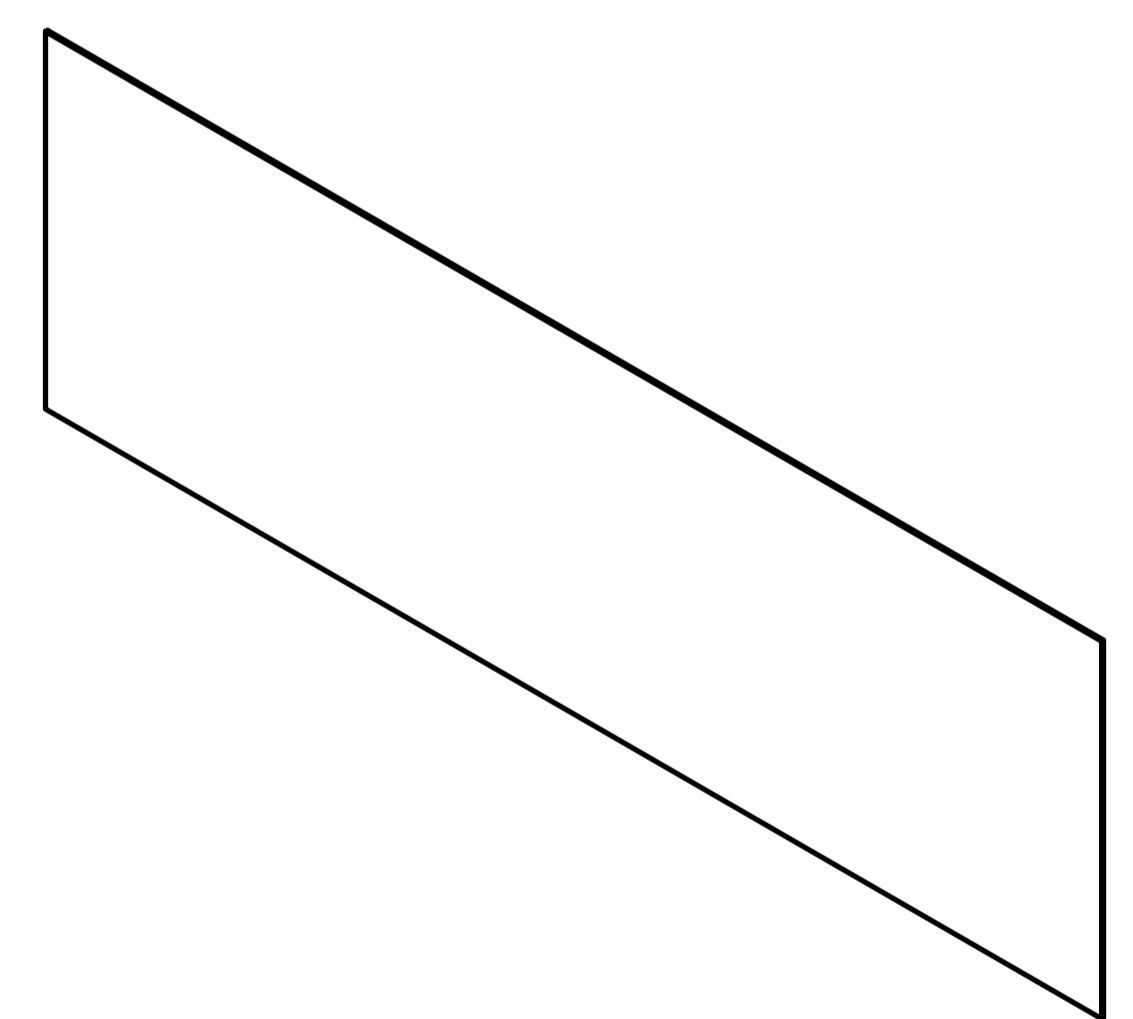
L x2



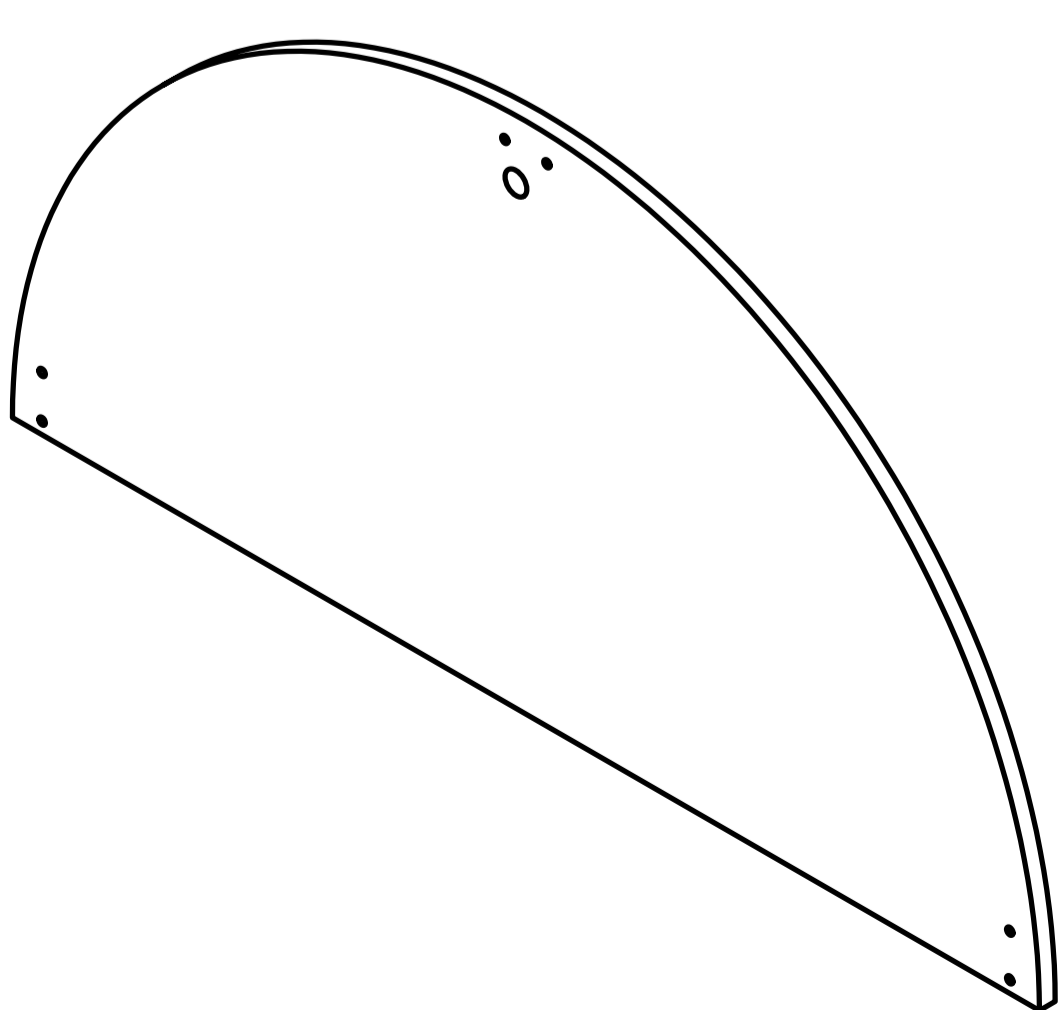
M₁ x1



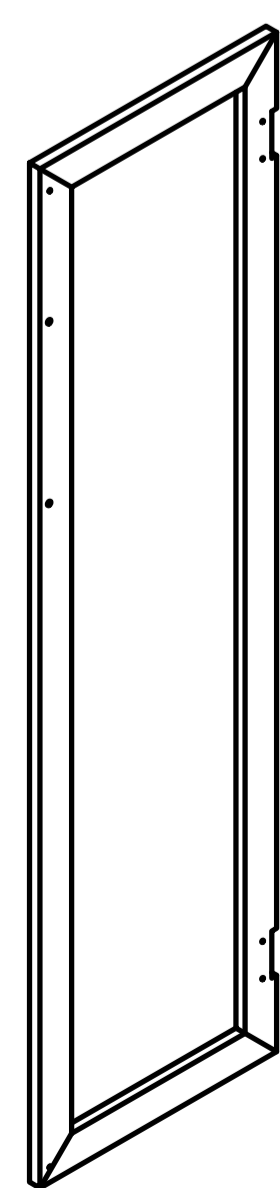
M₂ x1



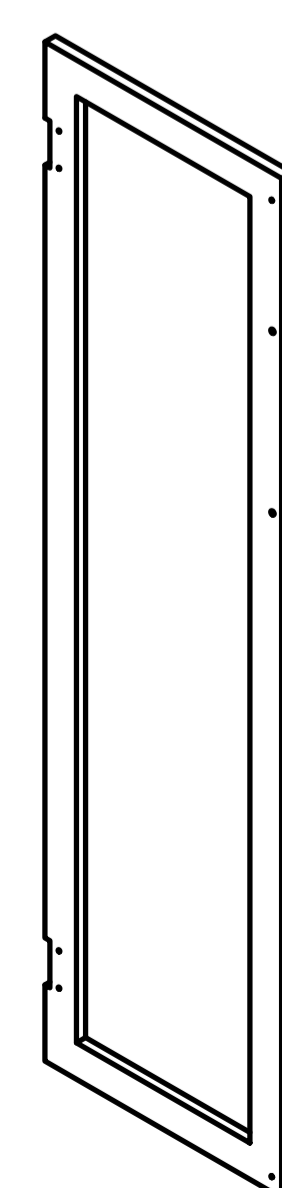
N x1



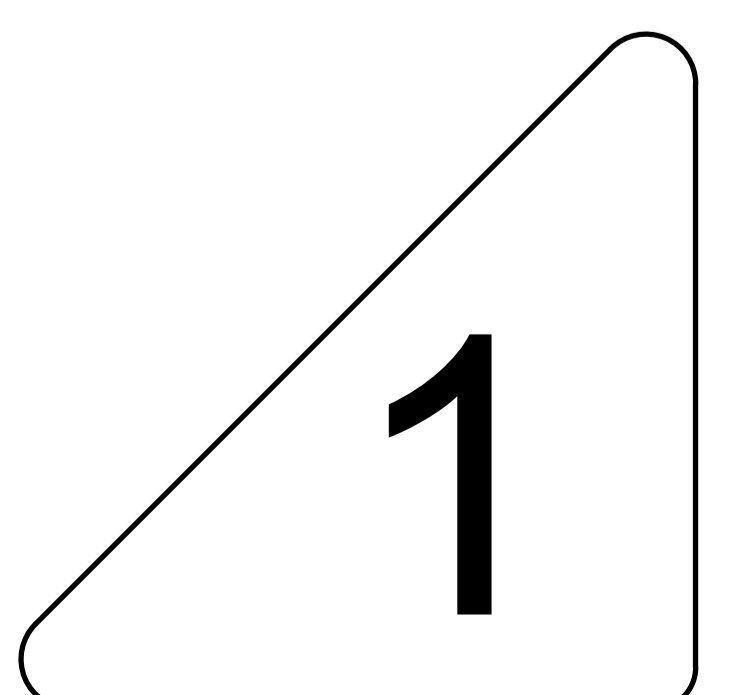
O x1



P x1

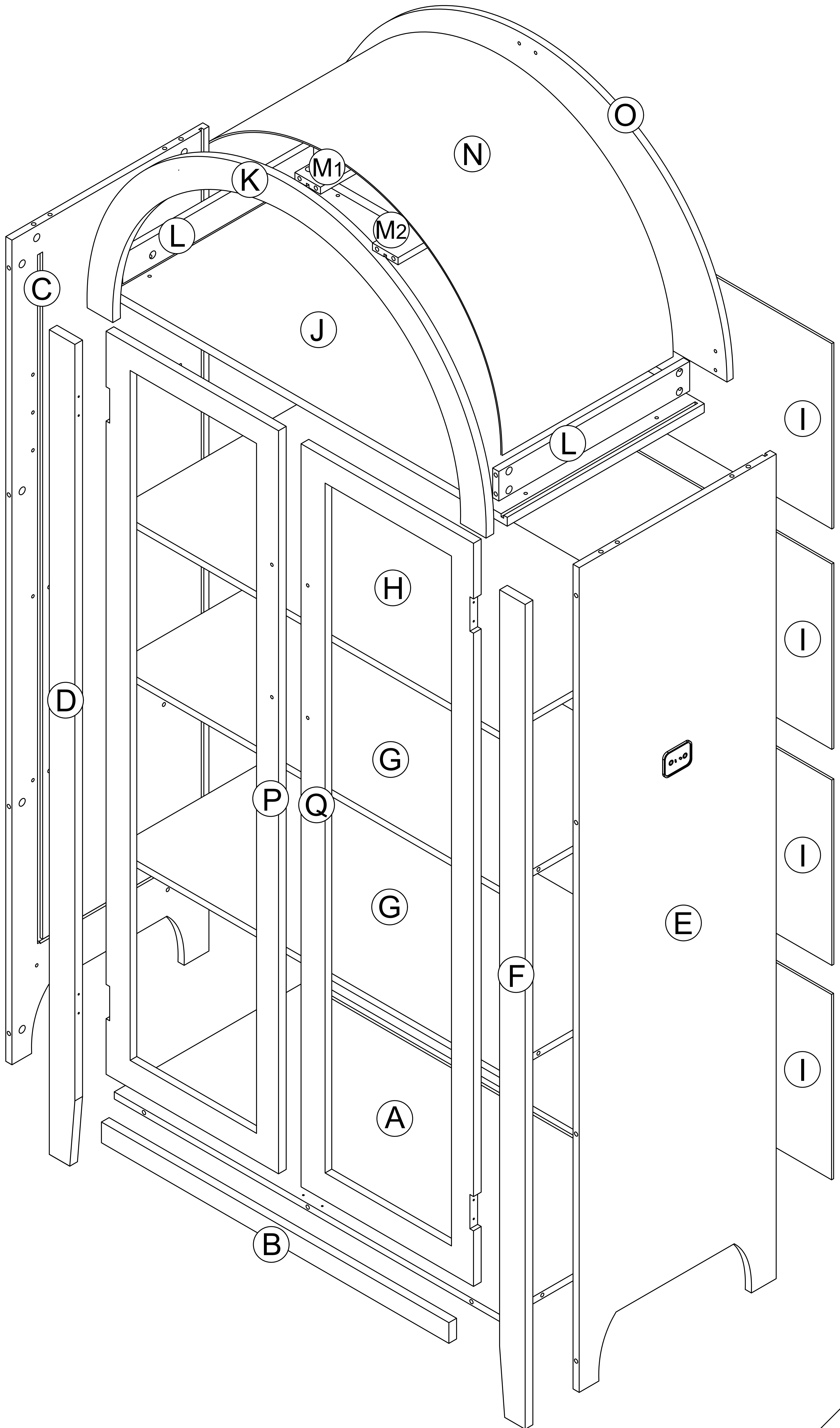


Q x1



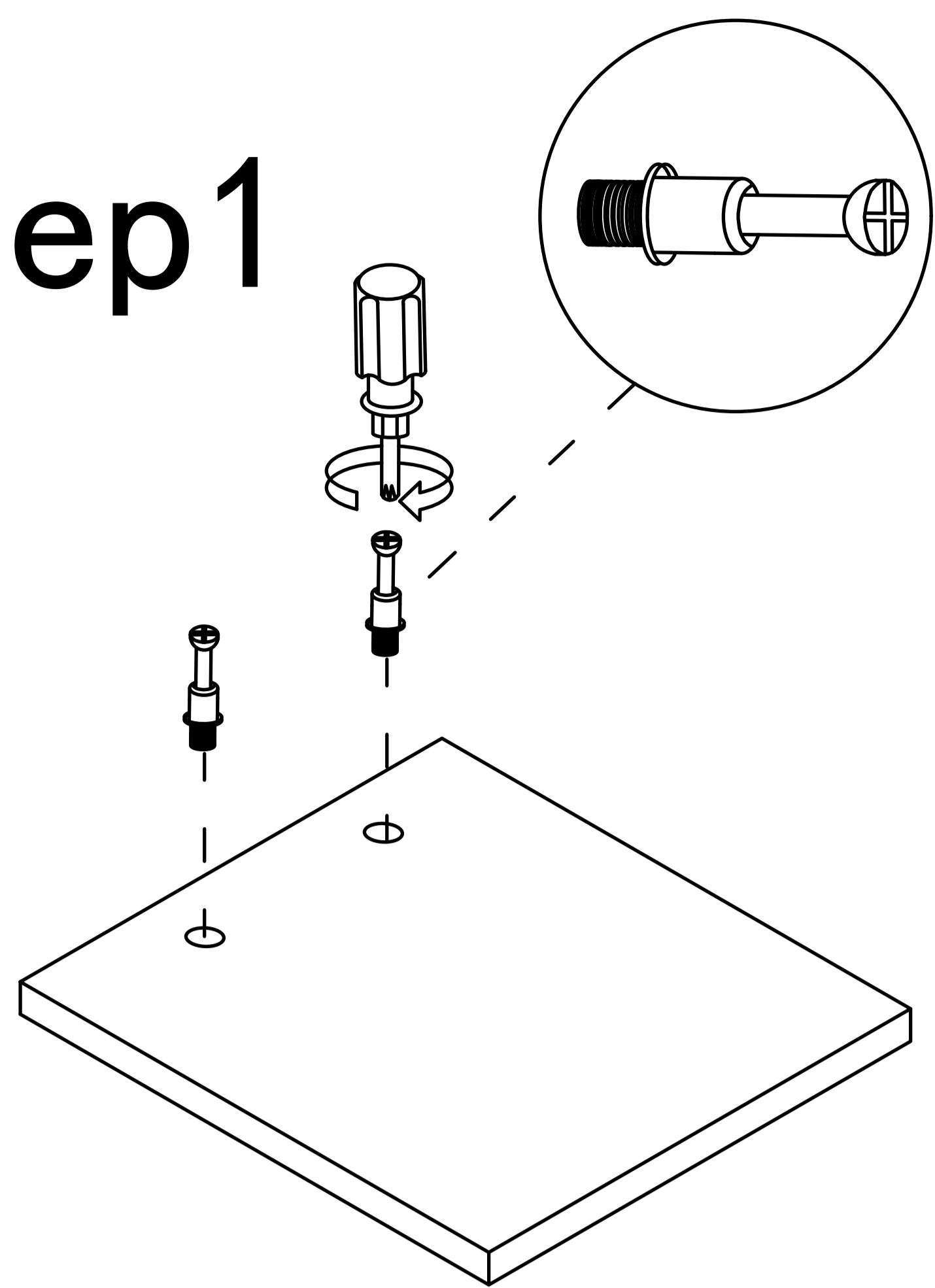
1

①		Two In One Screw (6x28mm)	50pcs +5pcs	
②		Two In One Nut (10x12mm)	50pcs +5pcs	
③		Wood Chipping (6x30mm)	16pcs +4pcs	
④		Left hinge & Screw (3.5x12mm)	2pcs / 16pcs +2pcs	
⑤		Right hinge & Screw (3.5x12mm)	2pcs / 16pcs +2pcs	
⑥		Non-slip pads	4pcs	
⑦		Magnets & Screw (3x12mm)	2pcs / 4pcs +1pcs	
⑧		Laminate support nail	4pcs +1pcs	
⑨		Sticker (L=371mm Ø20mm)	1pcs / 4pcs +1pcs	
⑩		Wire	1pcs	
⑪		Handle & screw (4x22mm)	2pcs / 4pcs +2pcs	
⑫		Magnetic Attraction & Screw (3x12mm)	4pcs / 4pcs +2pcs	
⑬		Fixing clip & screw (3x16mm)	8pcs +2pcs	
⑭		Forked line	1pcs	
⑮		Backboard H-bar	1pcs	
⑯	Anti Fall Hardware 		AC/DC Adapter (12V = 2.0A)	1pcs
	 		Double-head screwdriver, use as required	

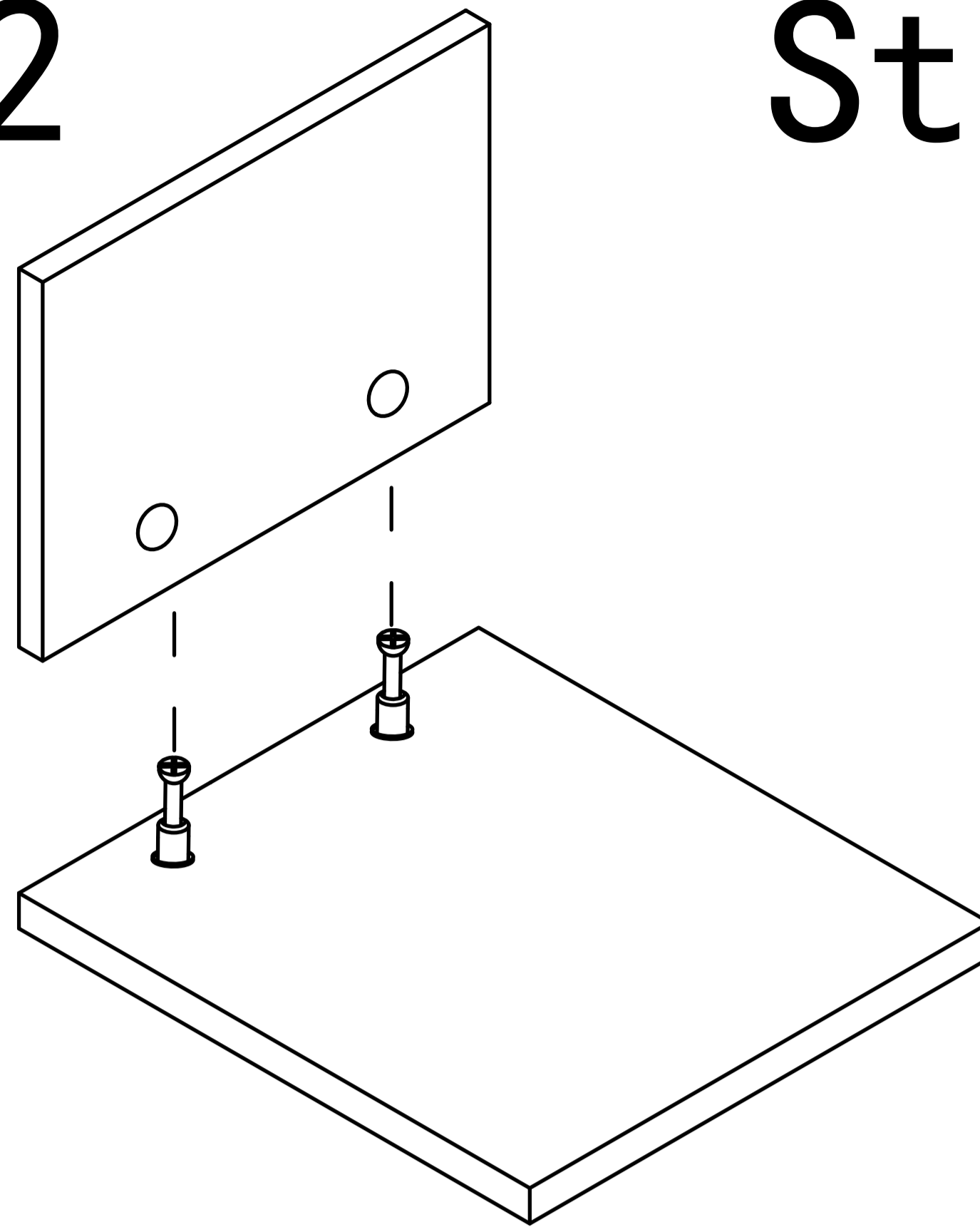


Screw installation method

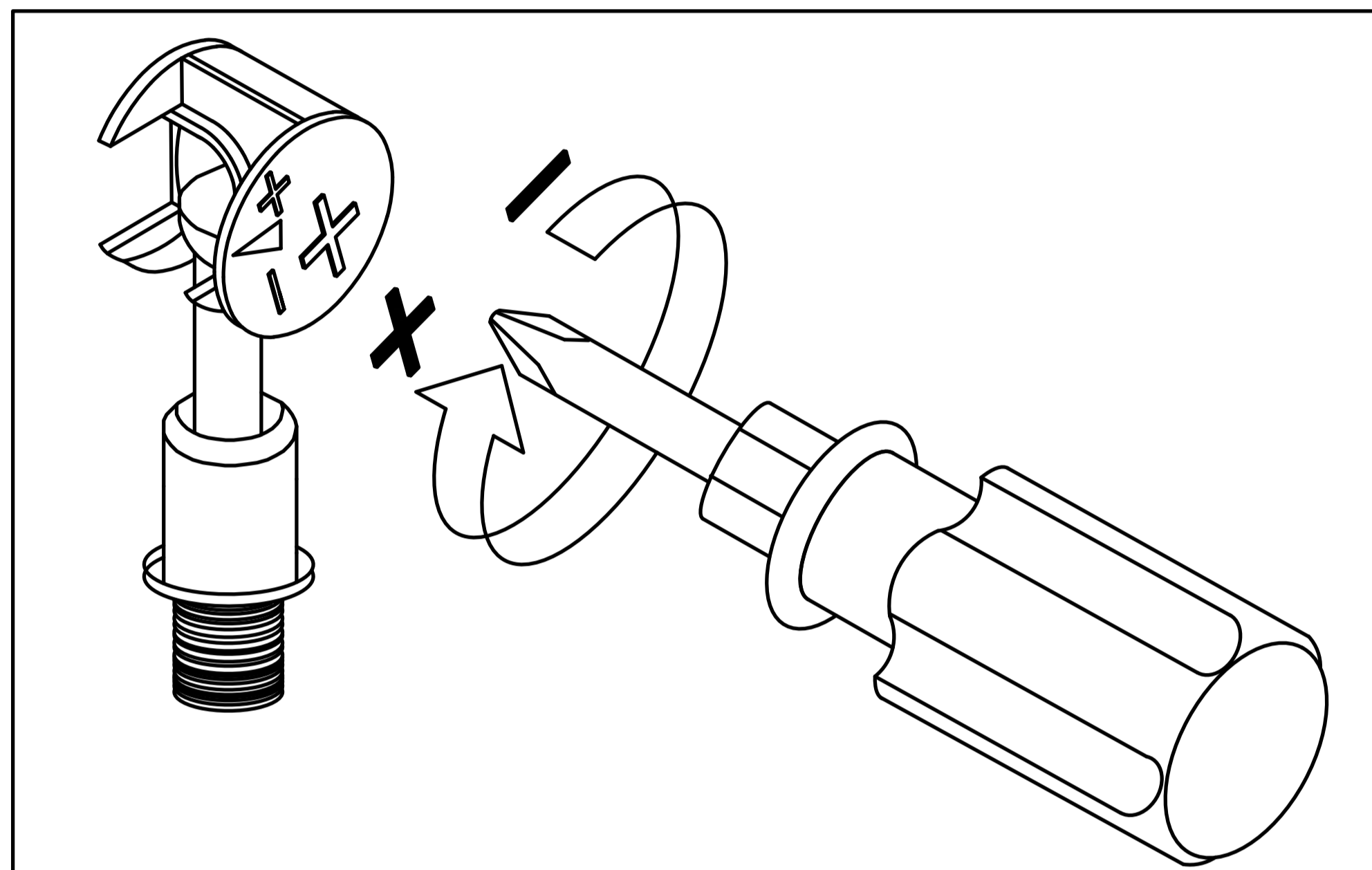
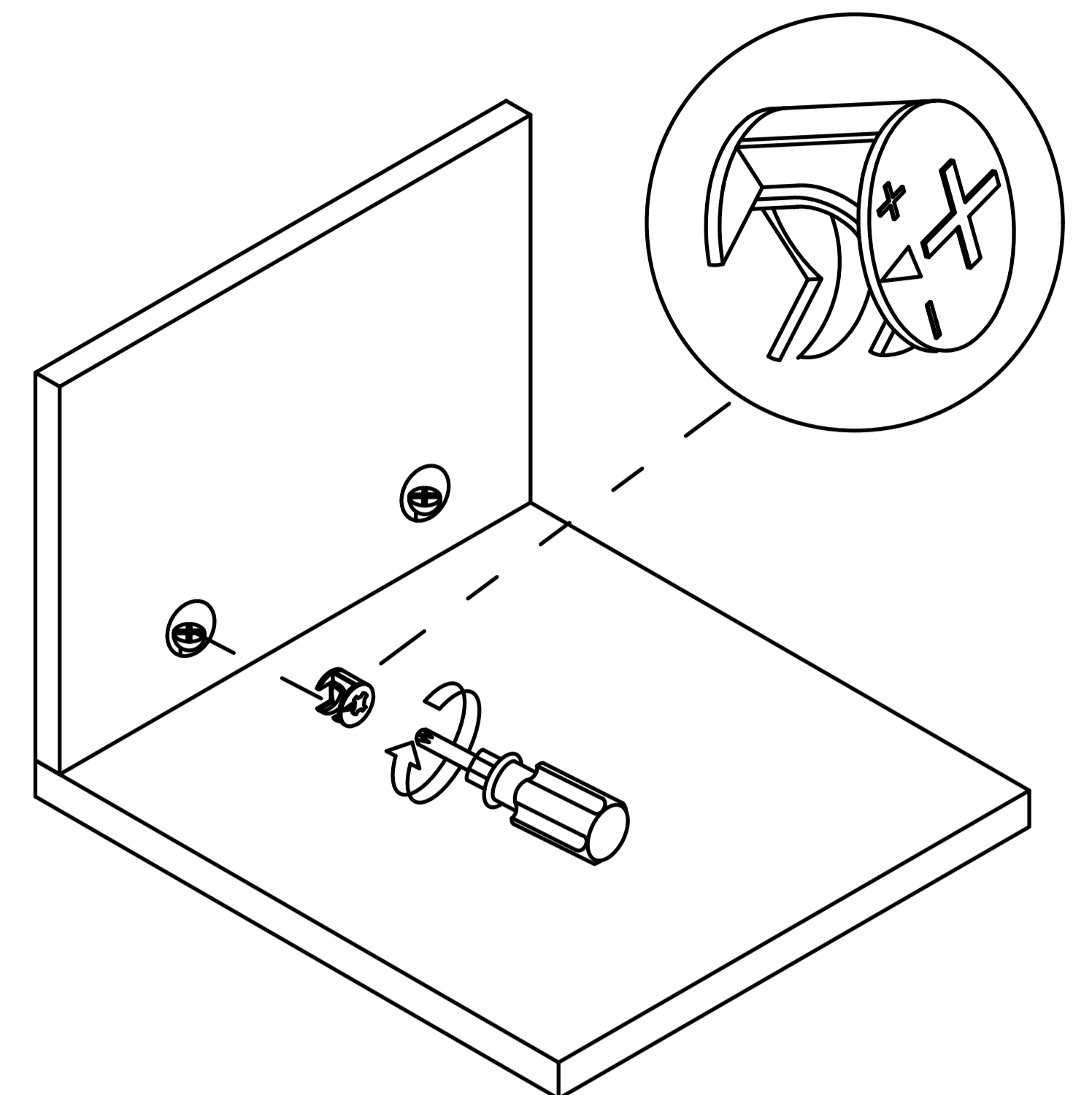
Step 1



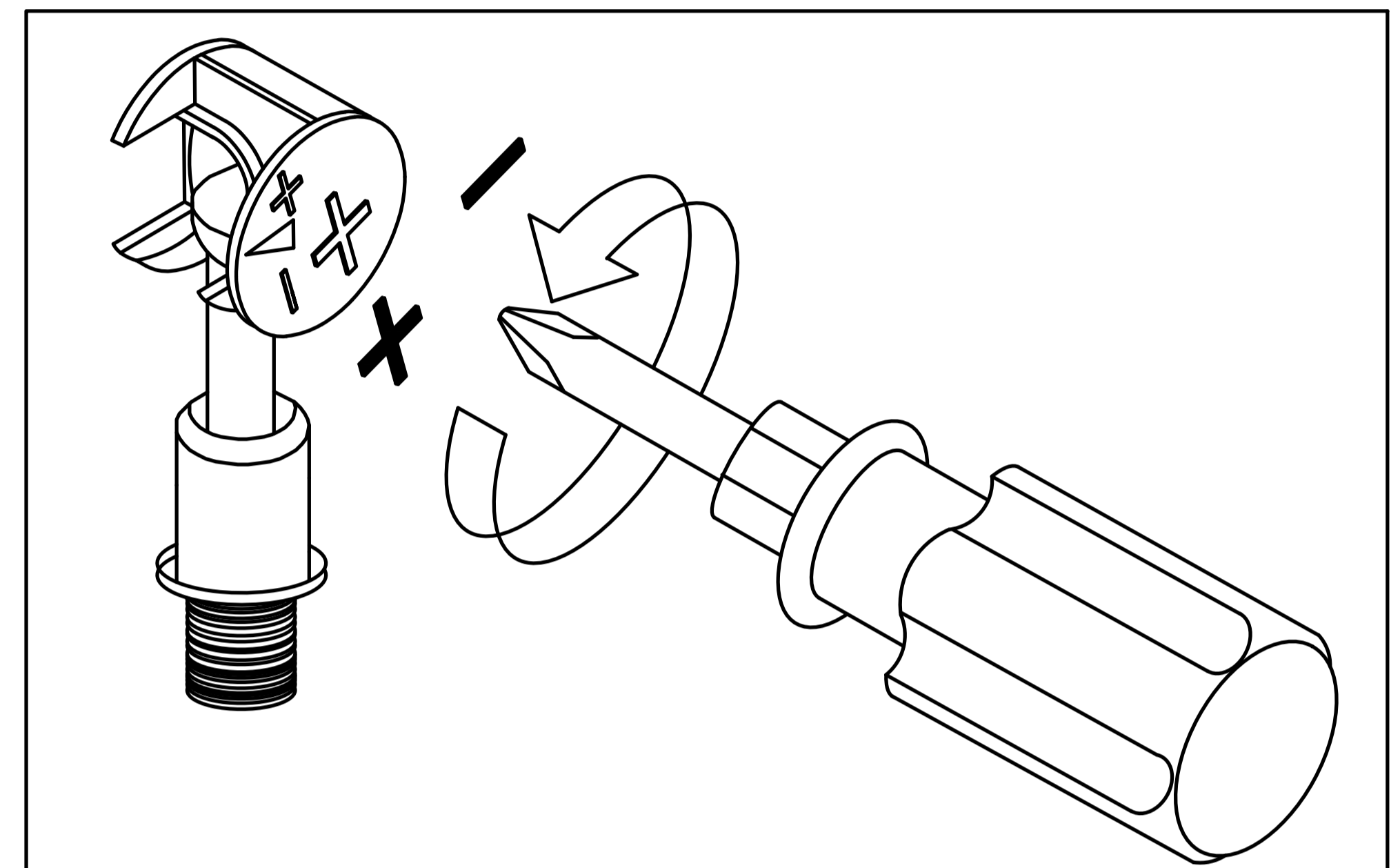
Step 2



Step 3

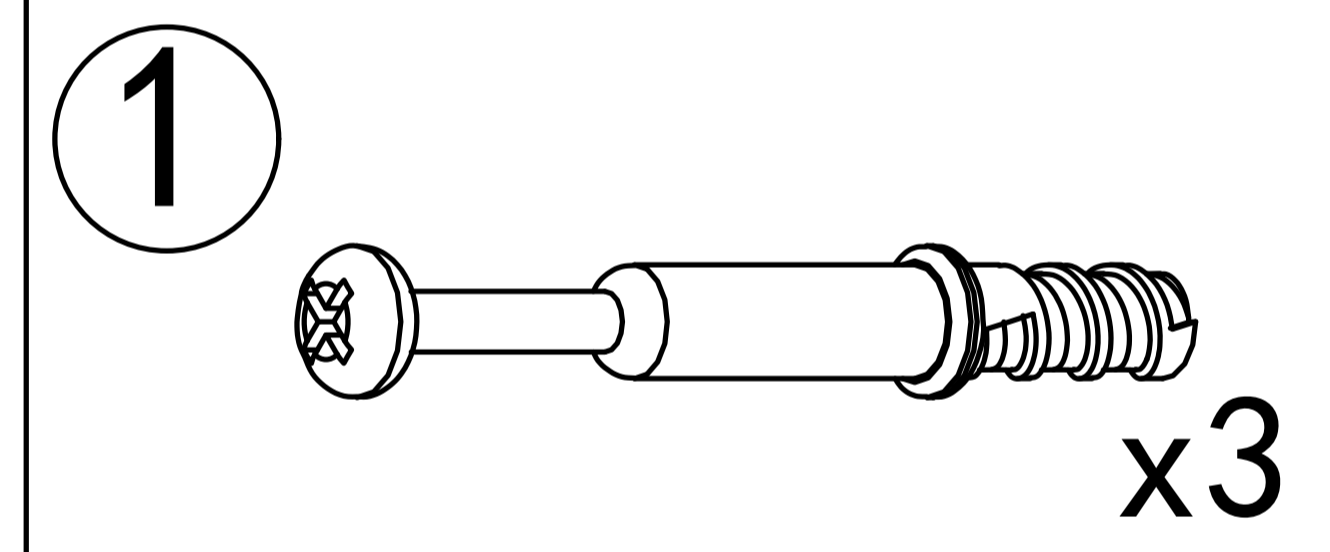
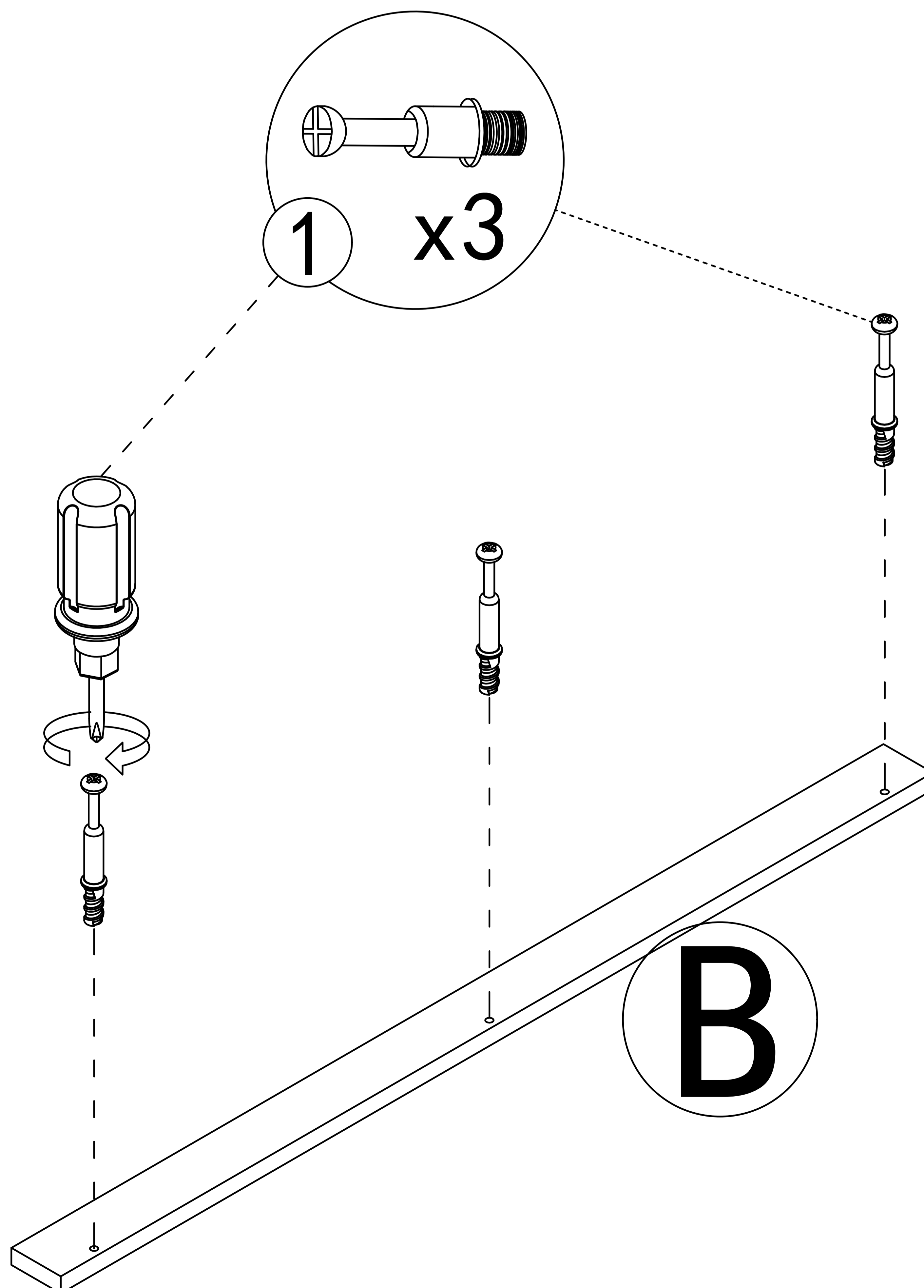


Use a screwdriver to lock in the direction of the "+" sign



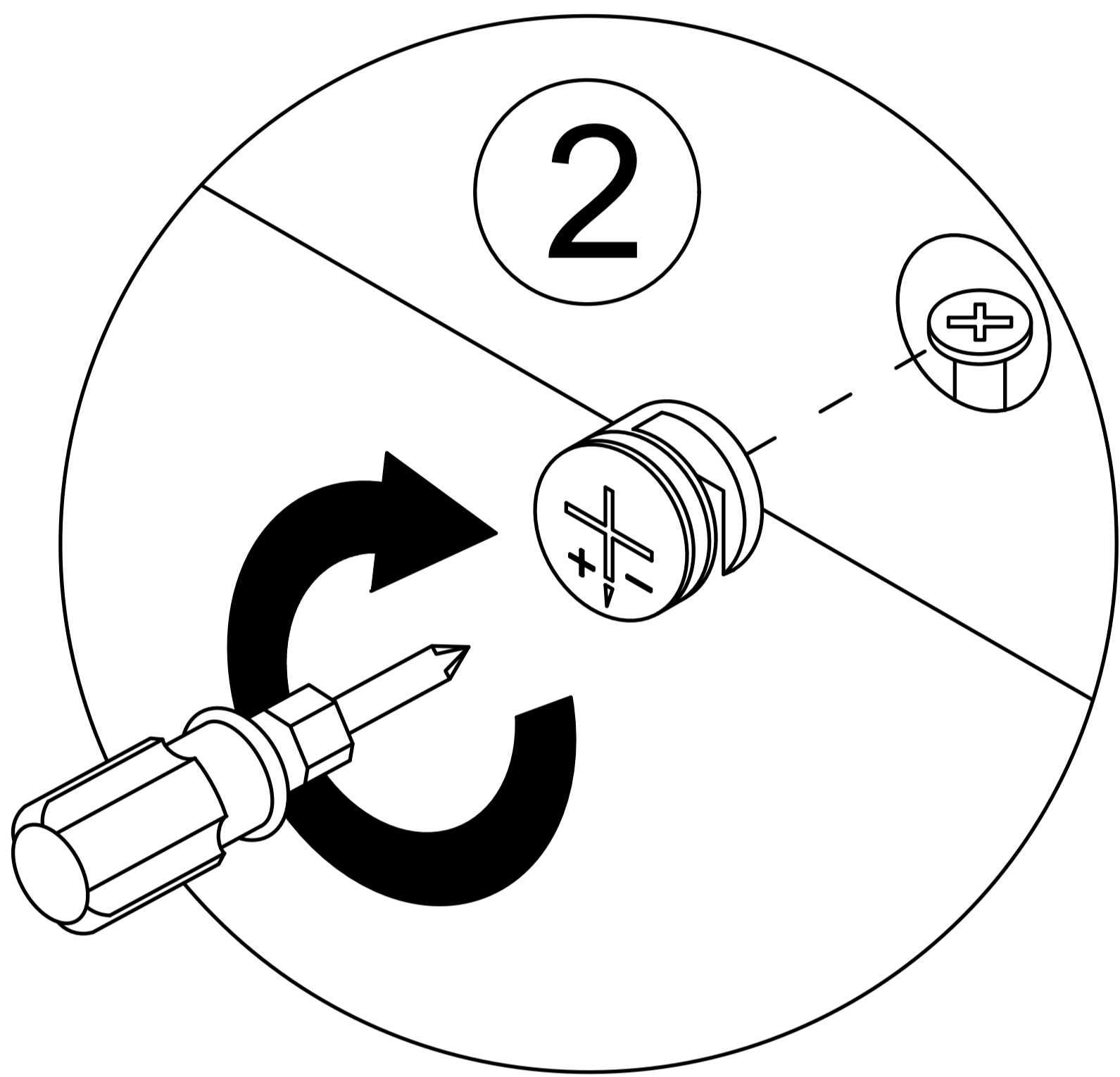
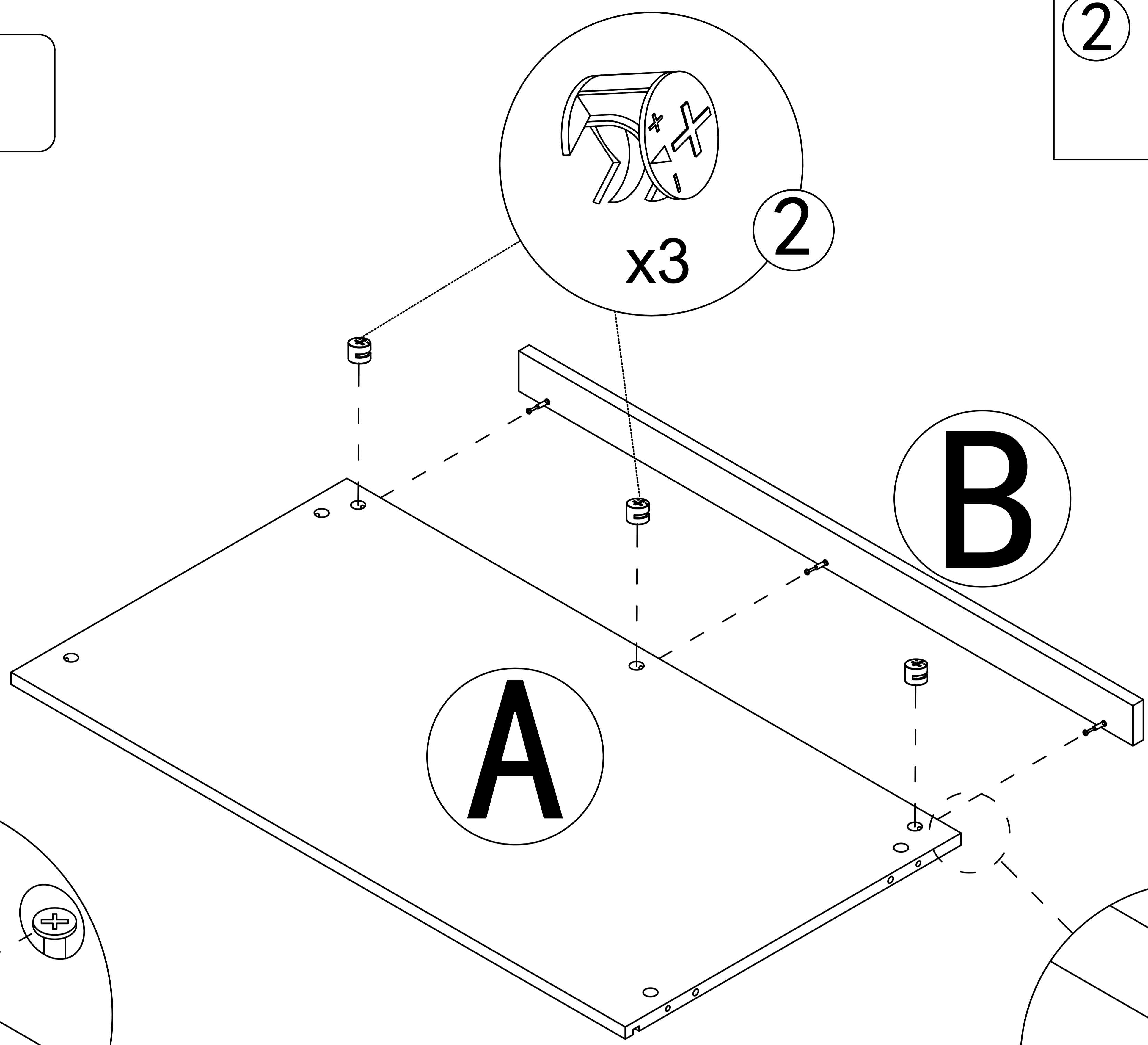
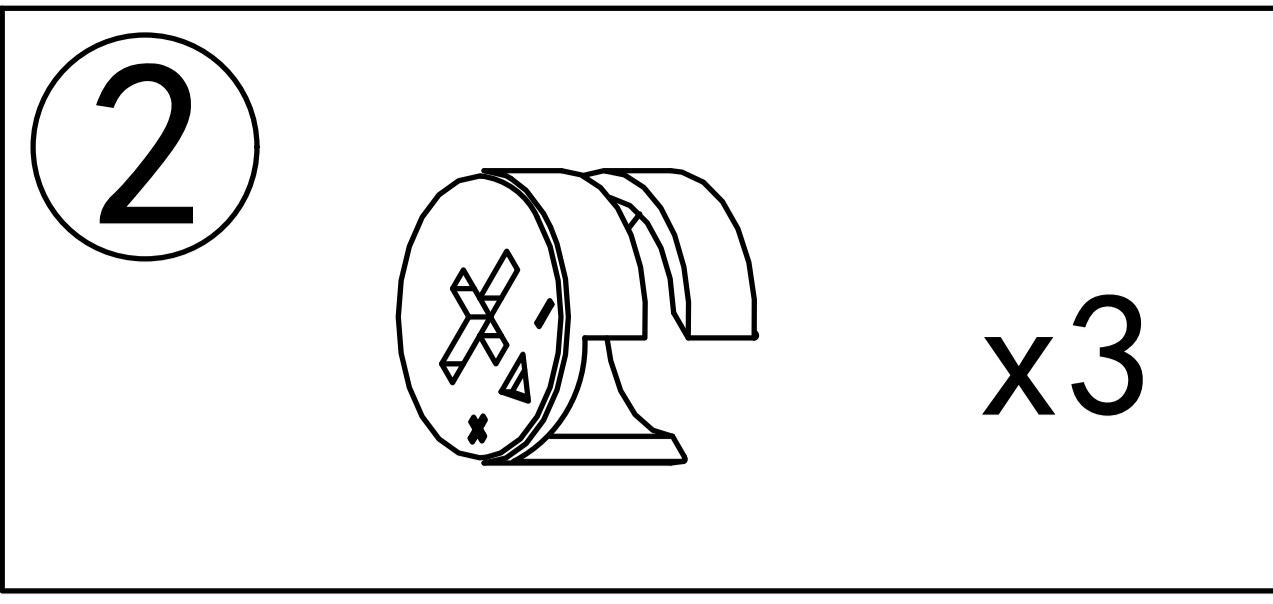
Disassemble along the direction of "-" sign

Step 1

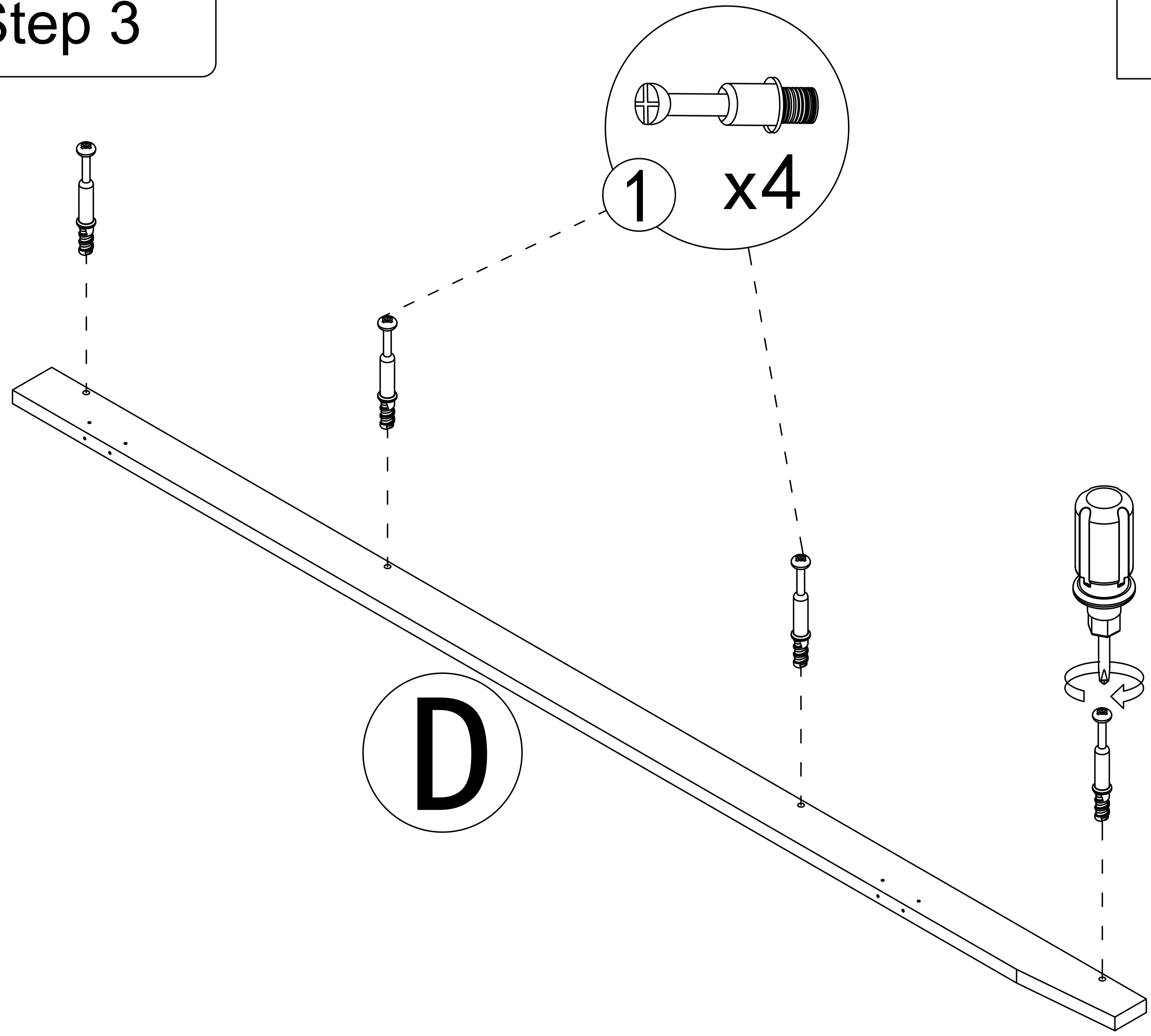
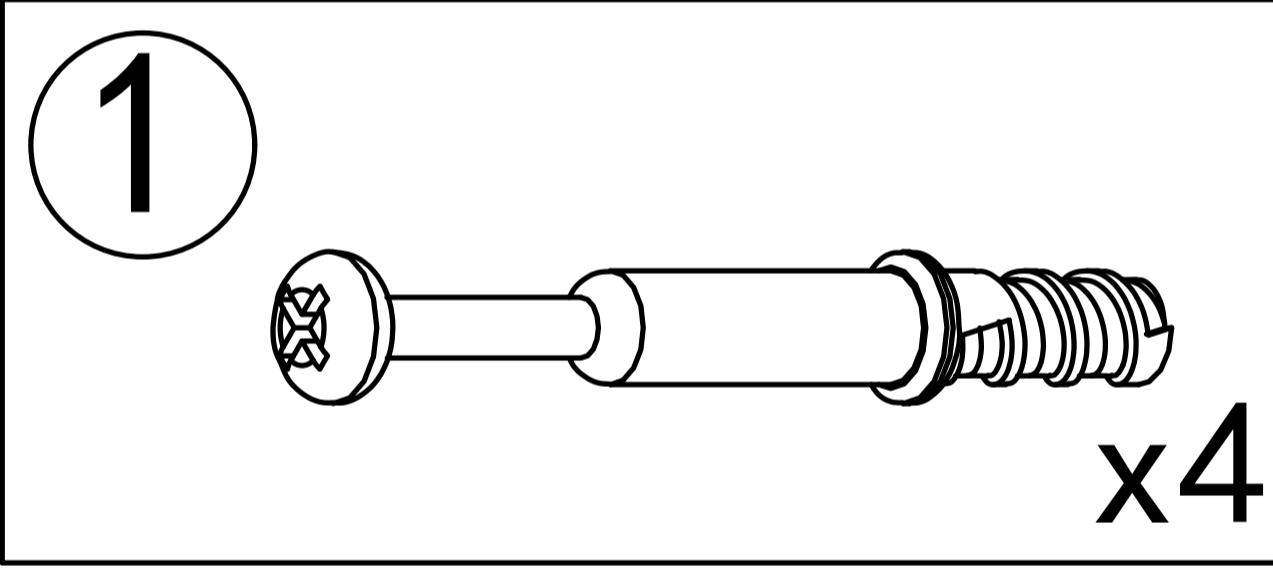


4

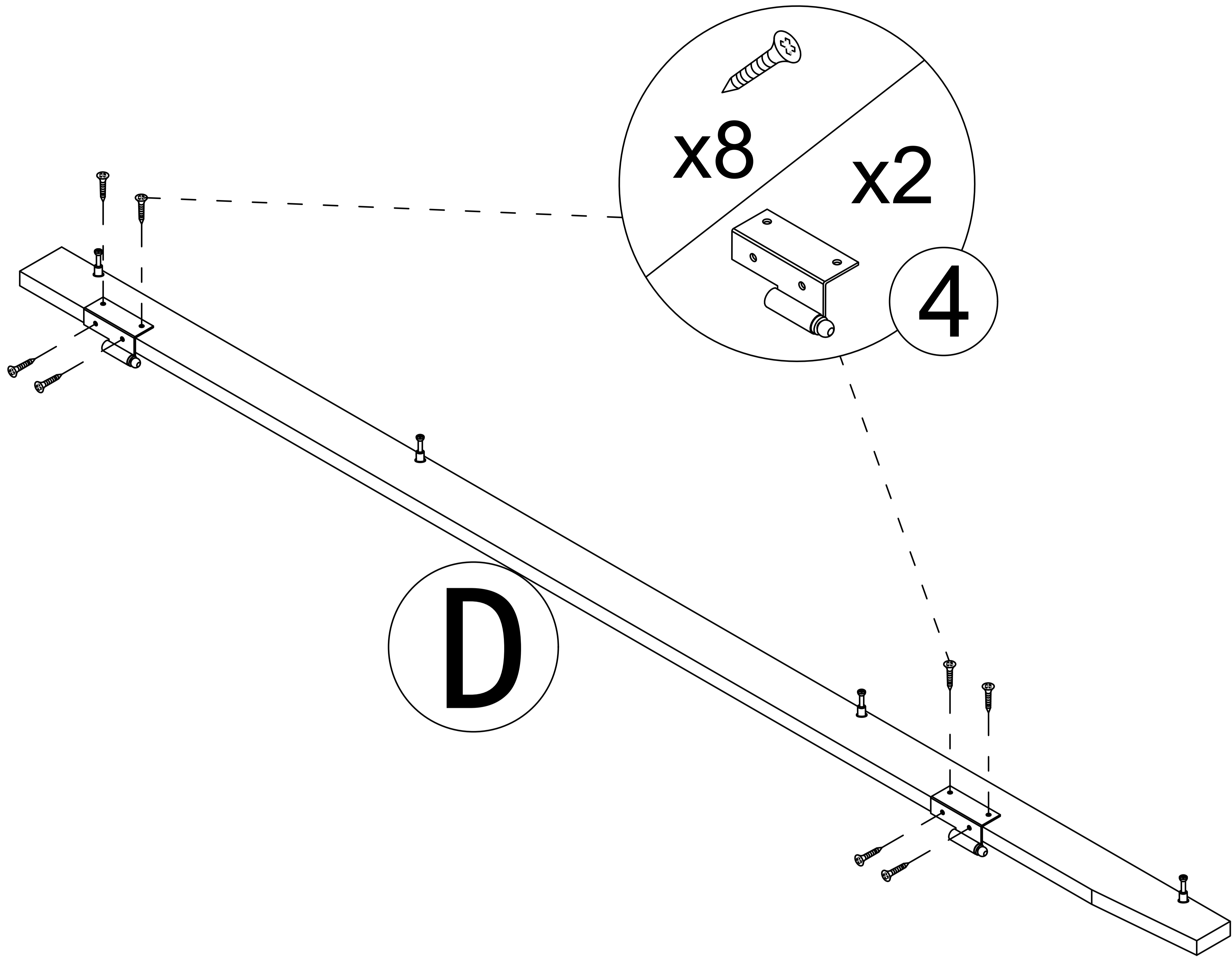
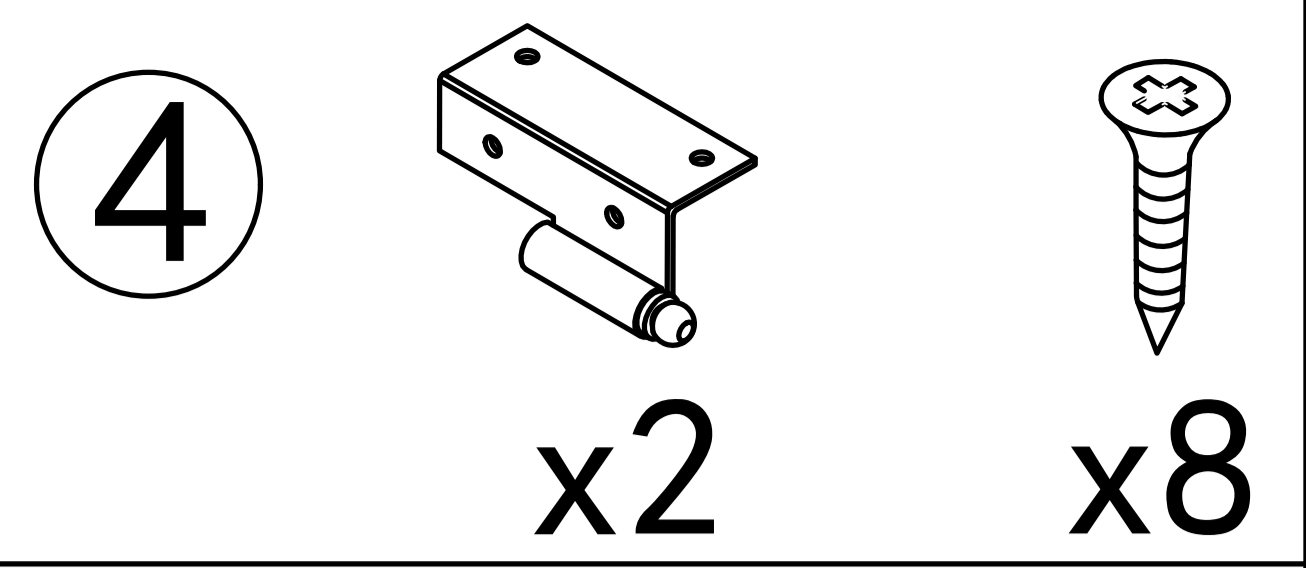
Step 2



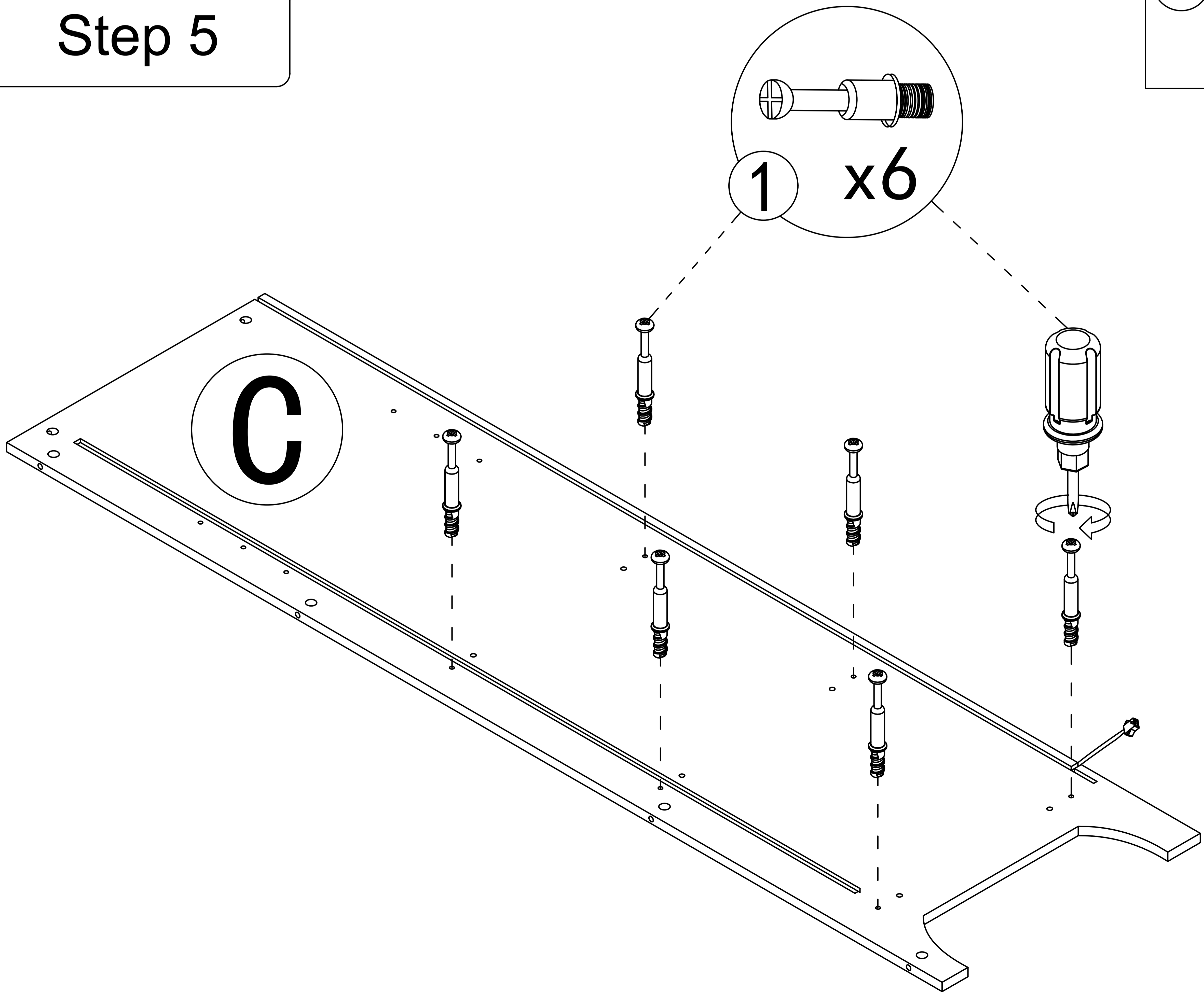
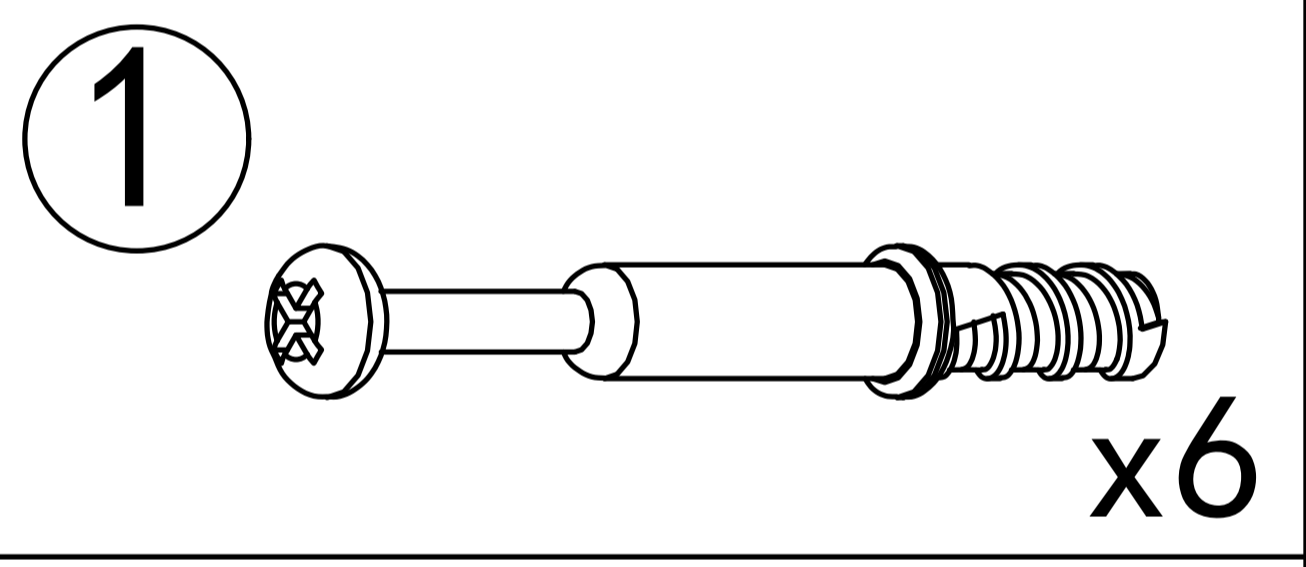
Step 3



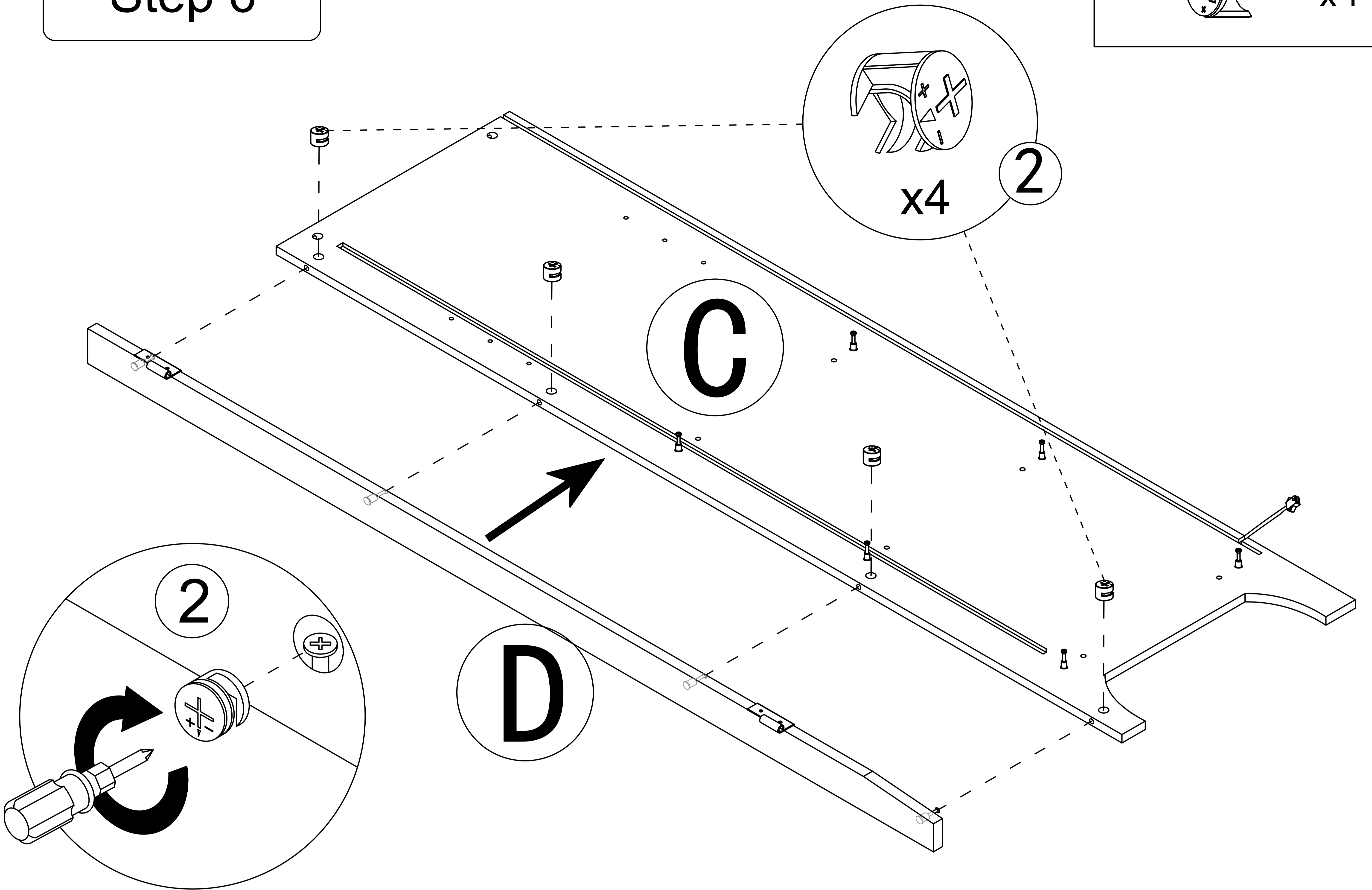
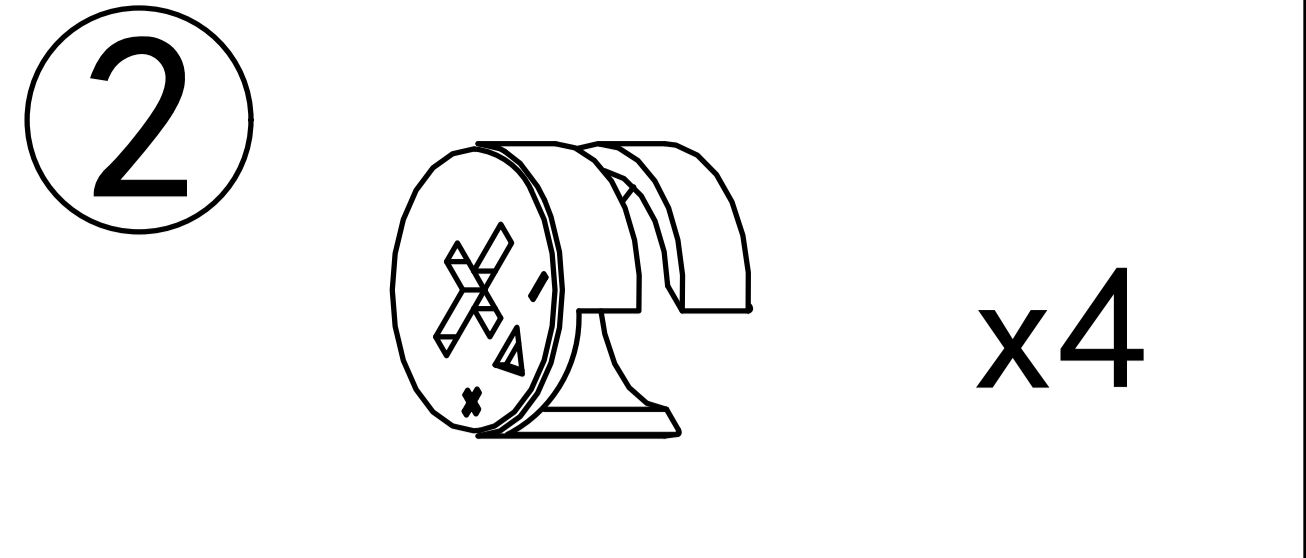
Step 4



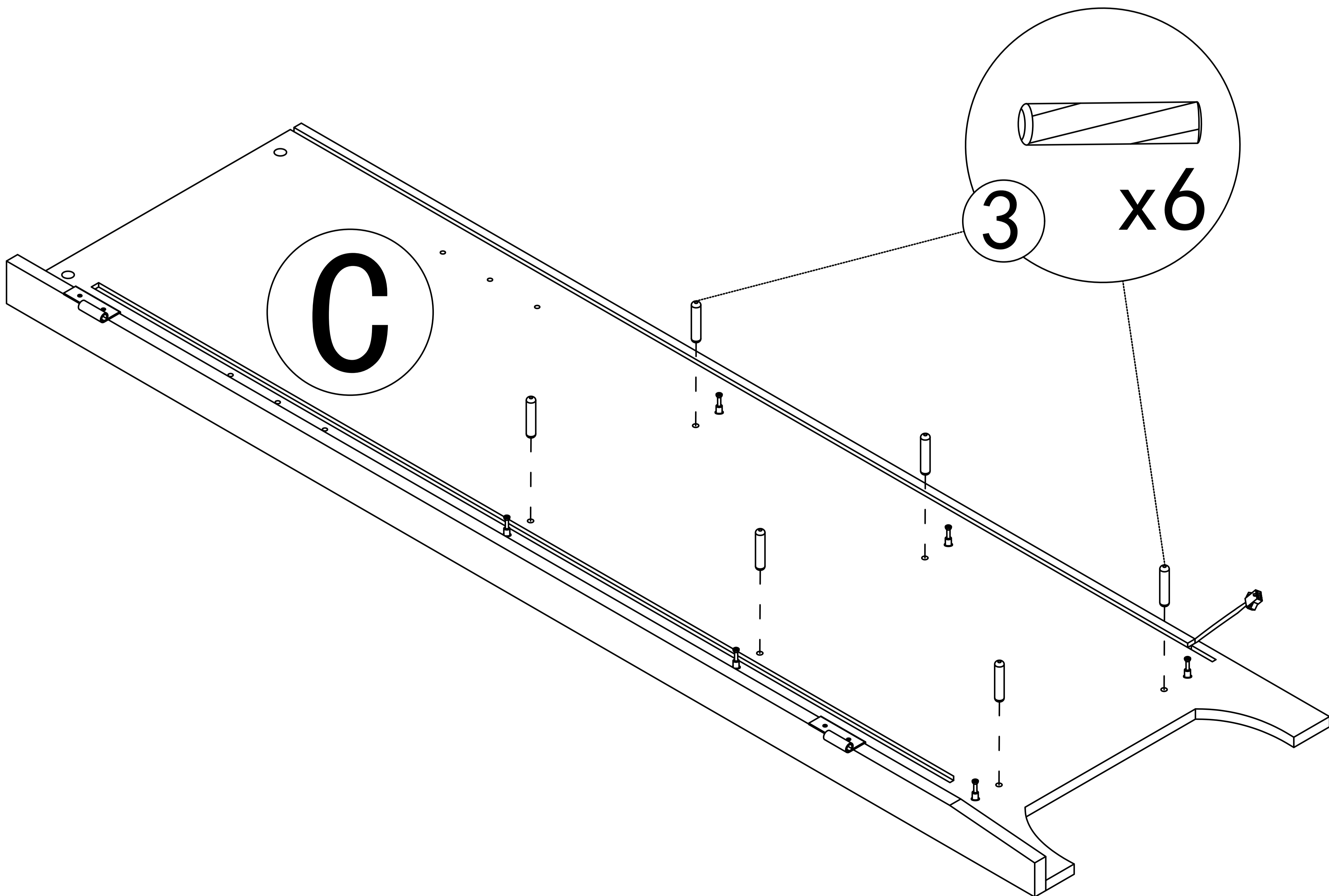
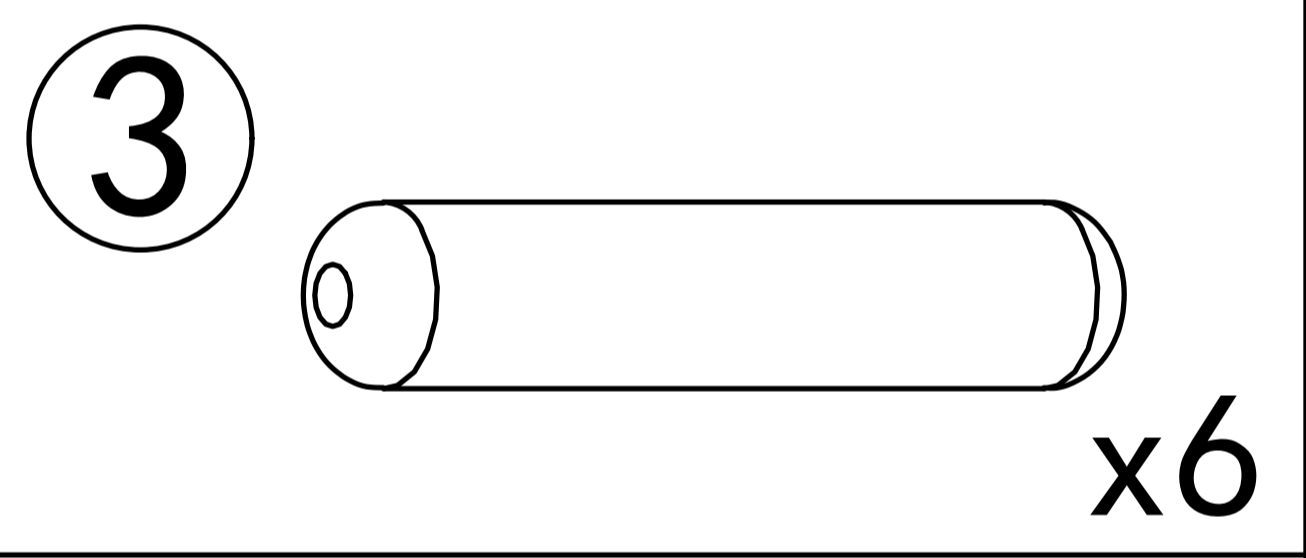
Step 5



Step 6

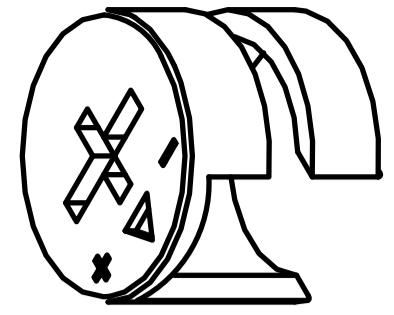


Step 7

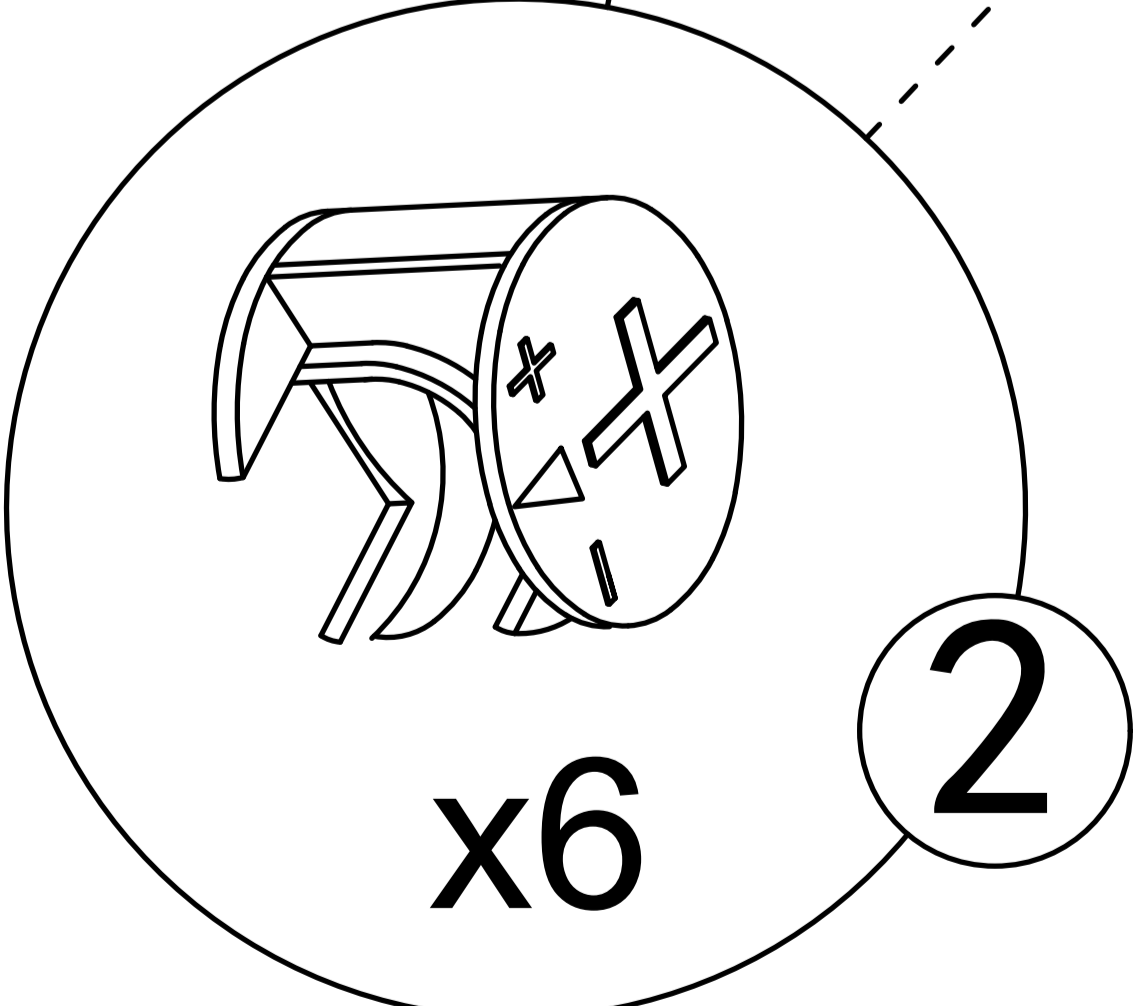
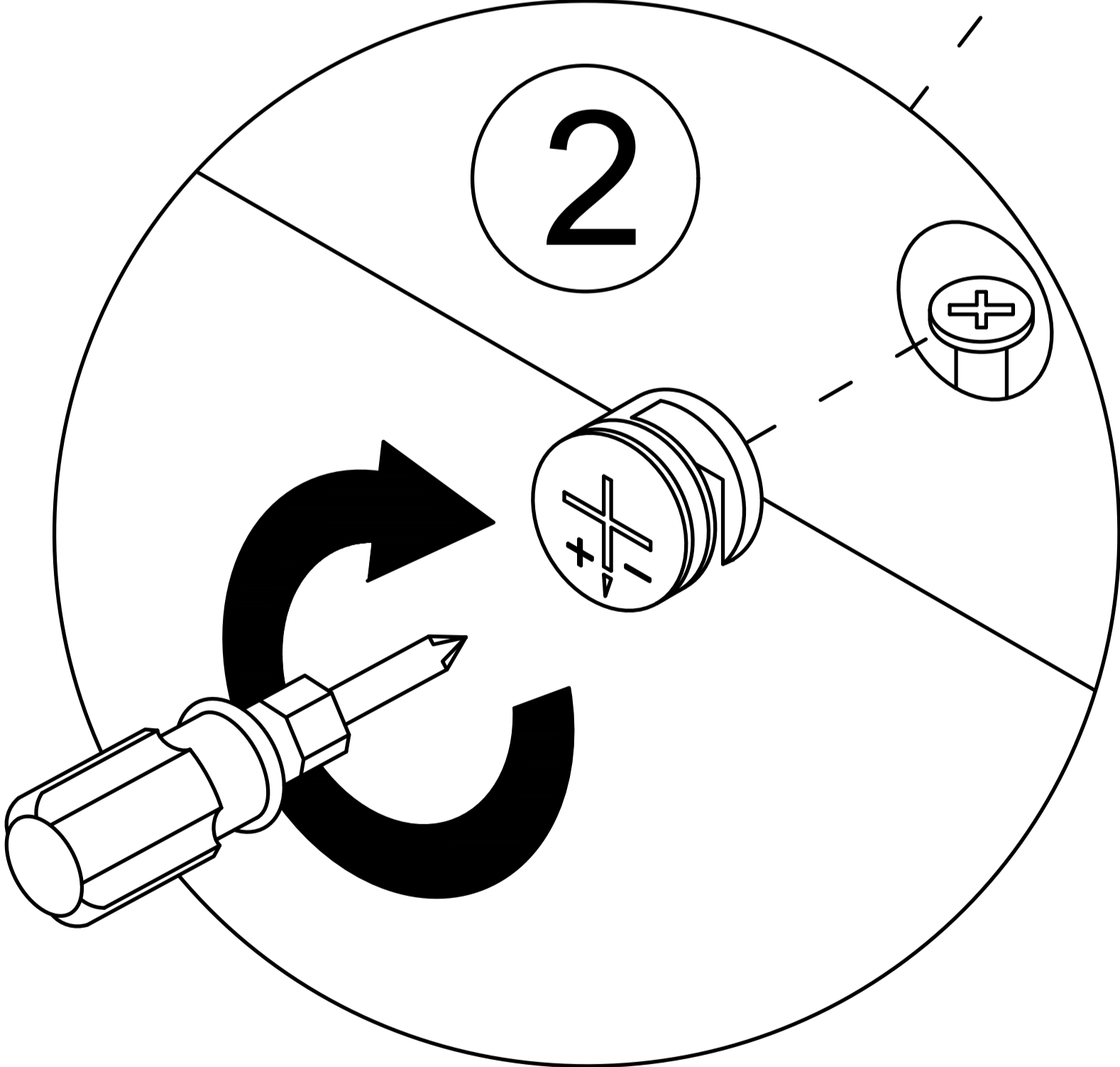
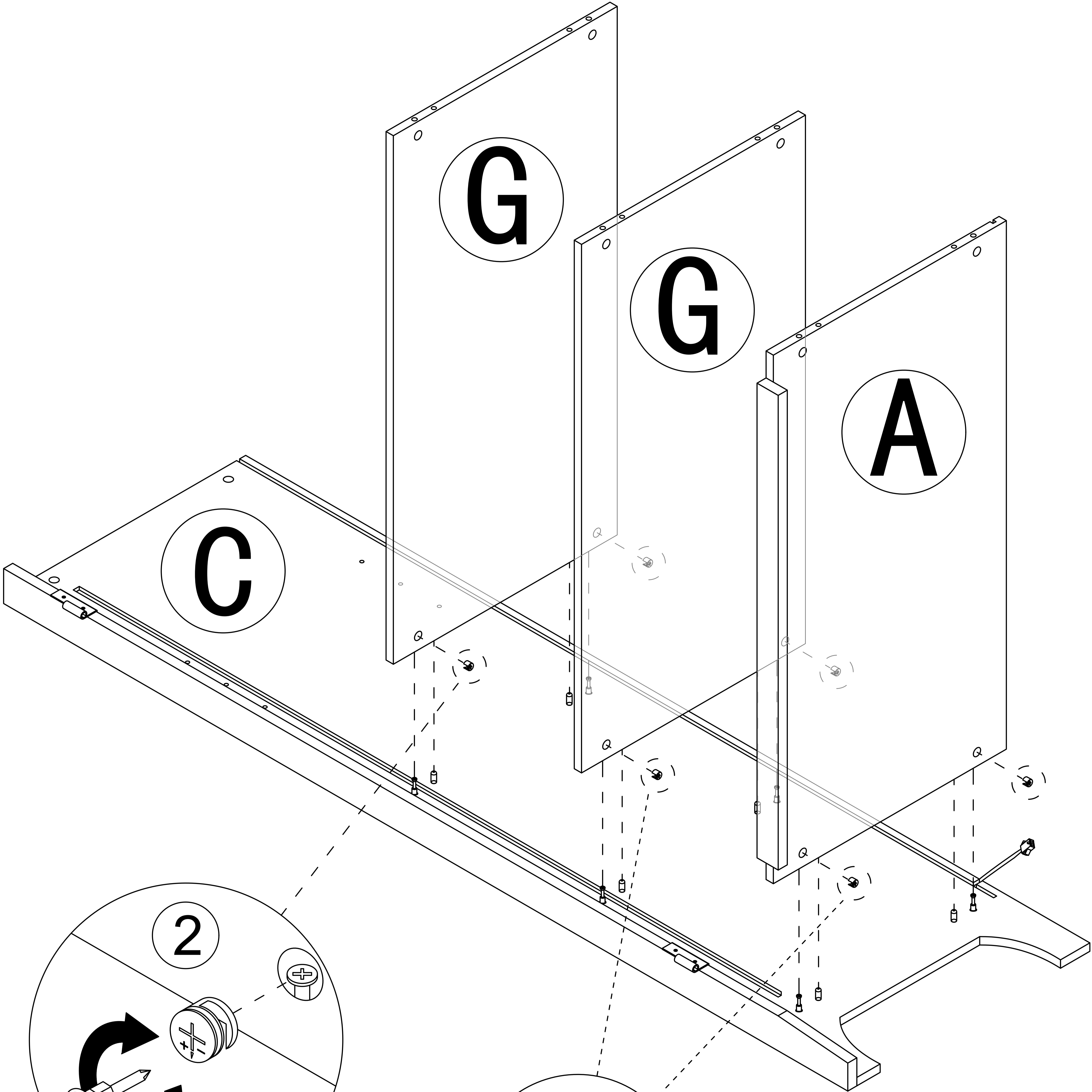


Step 8

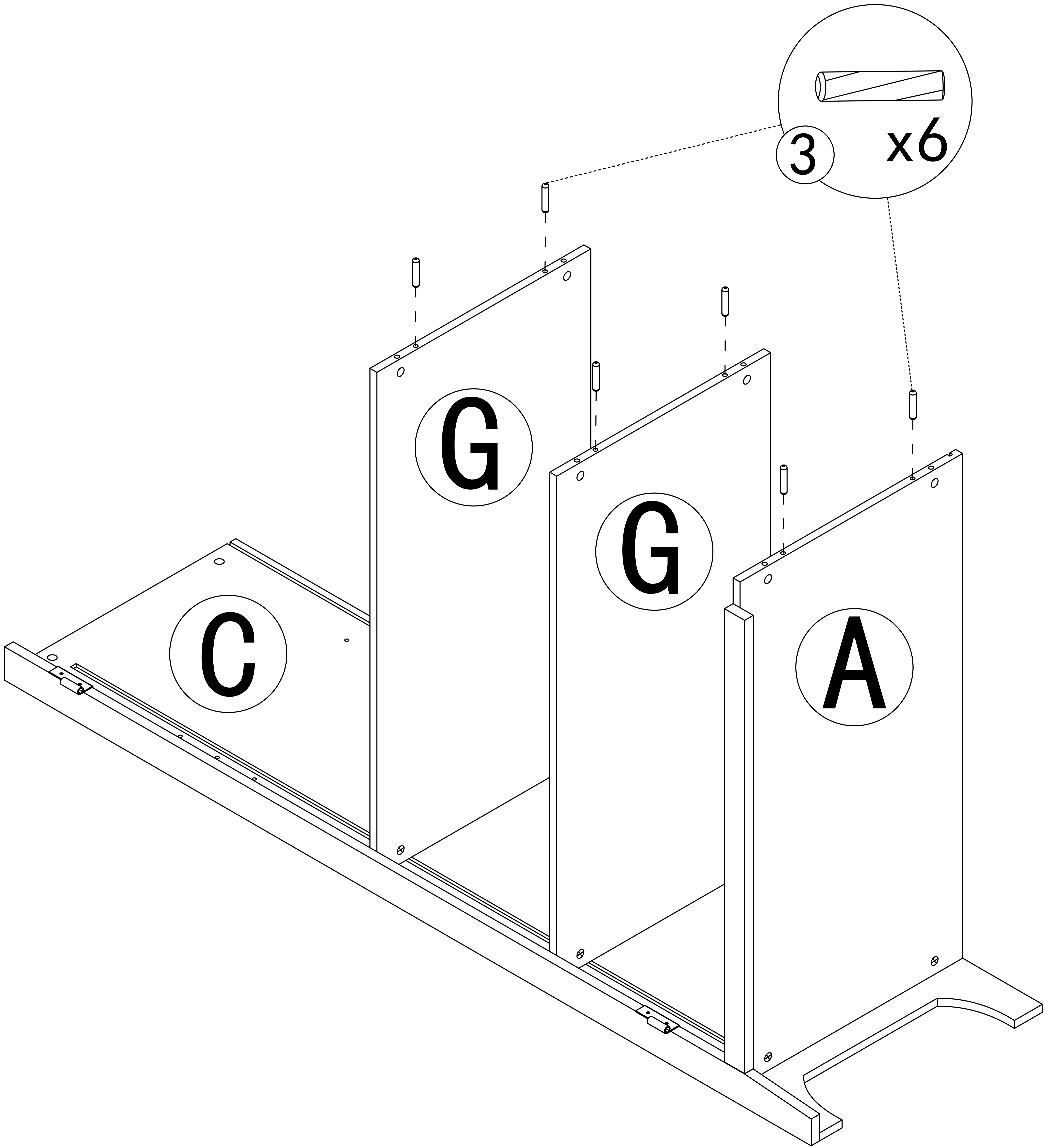
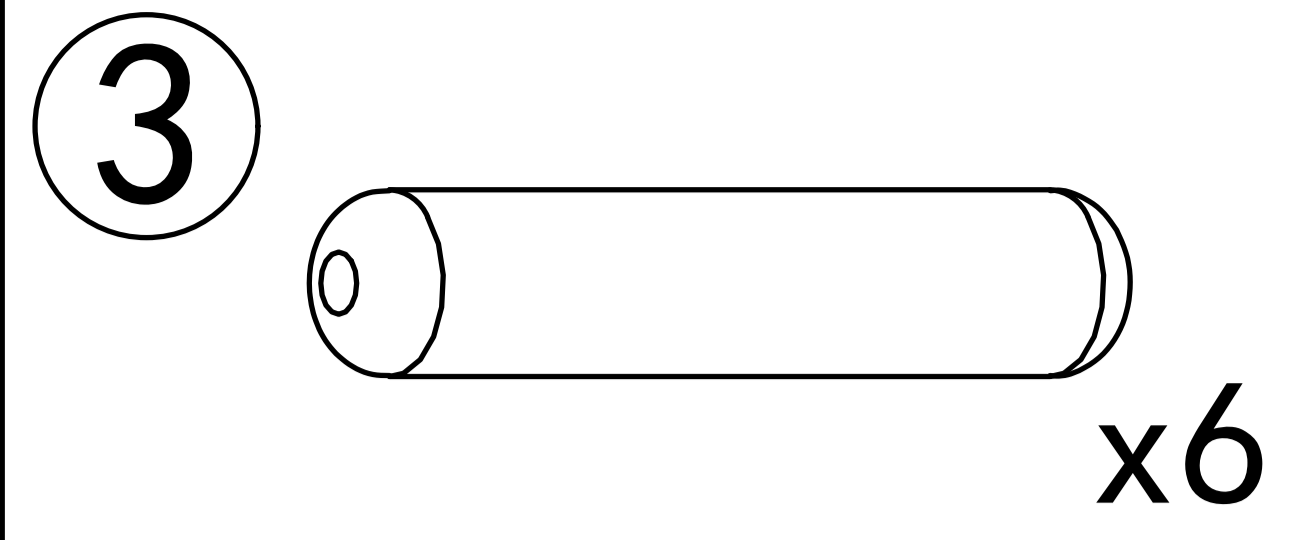
2



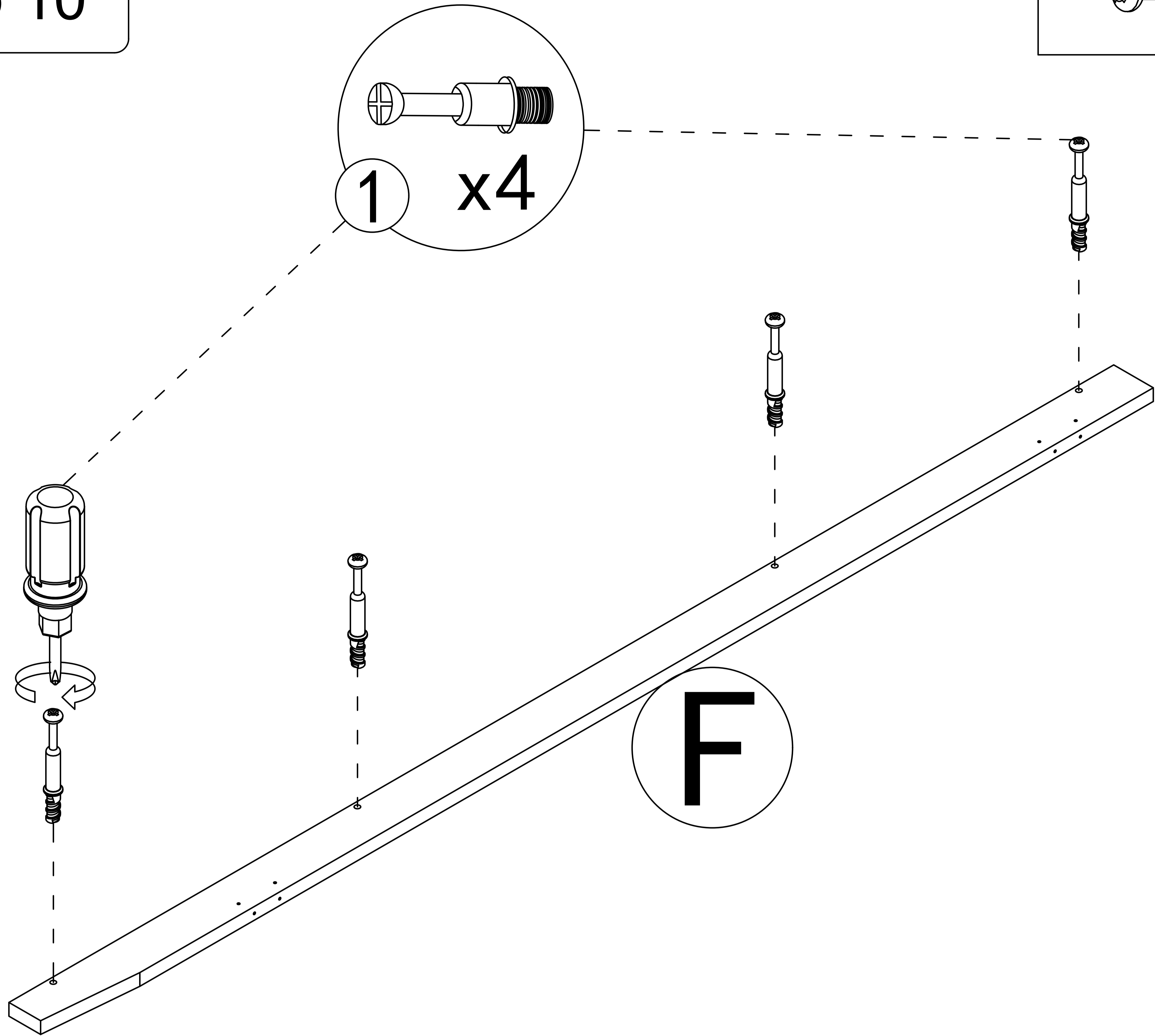
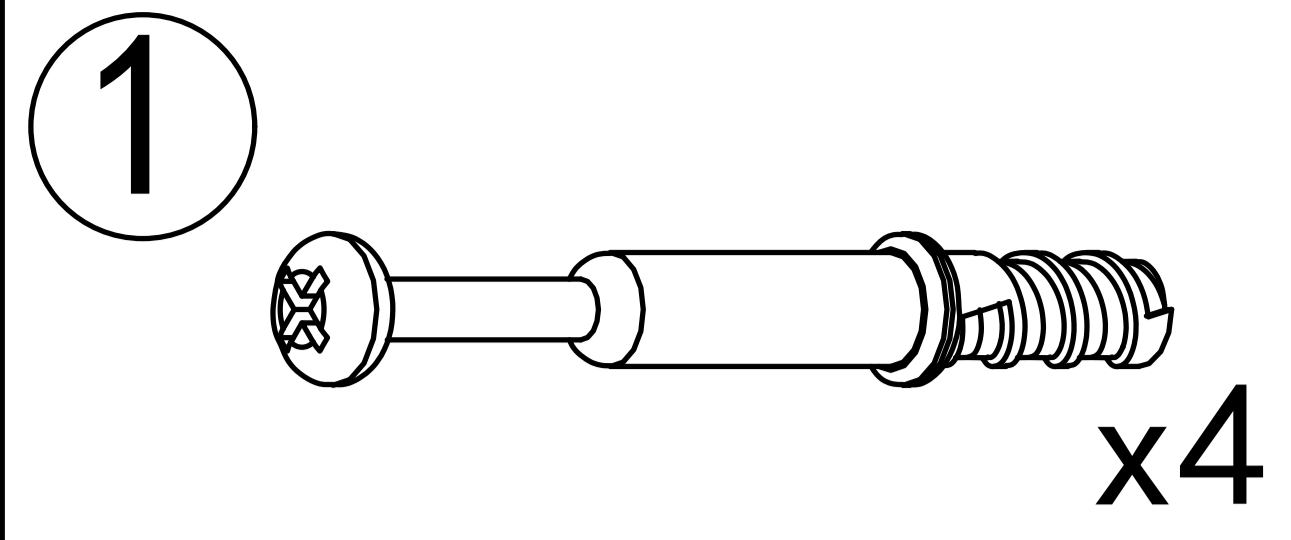
x6



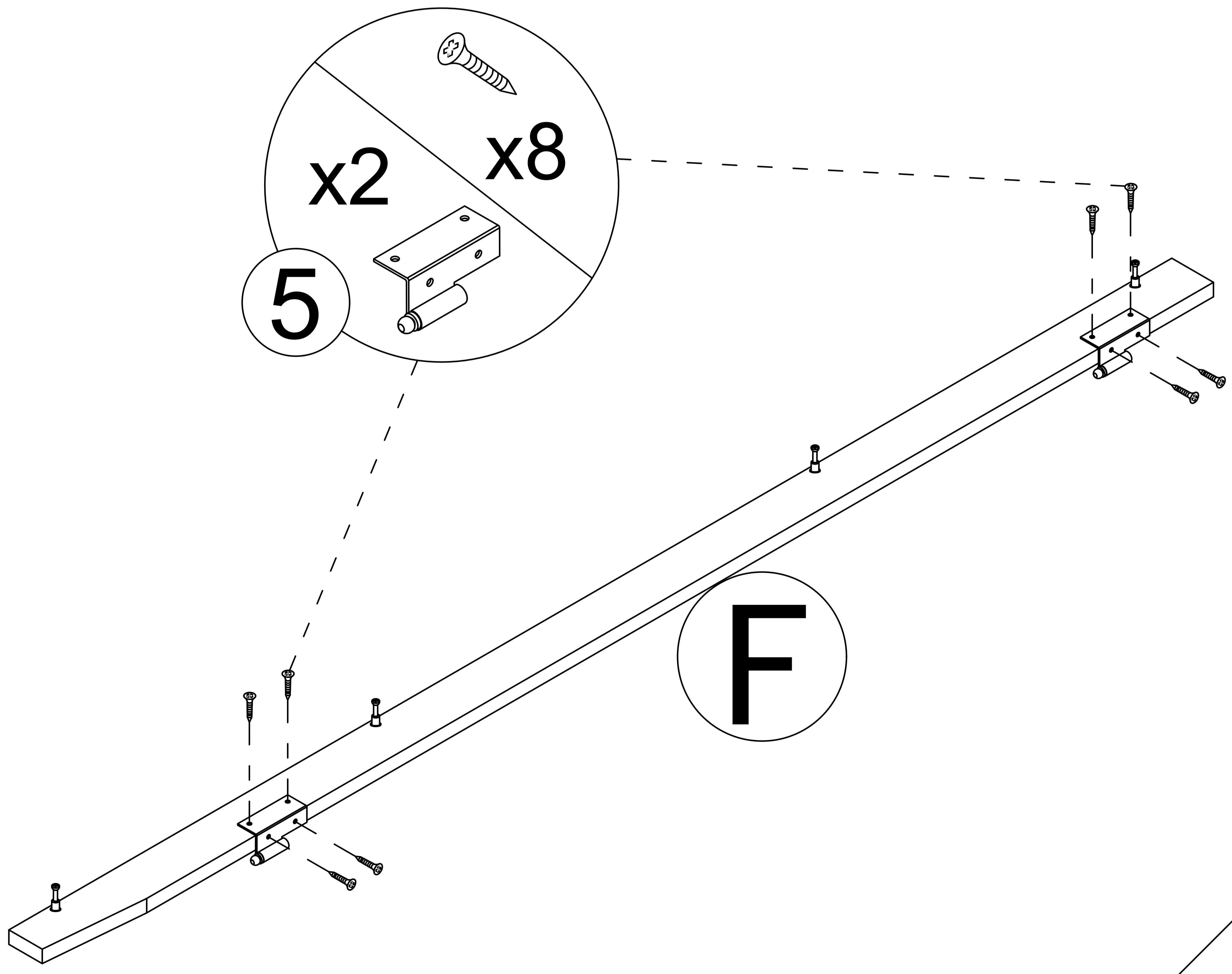
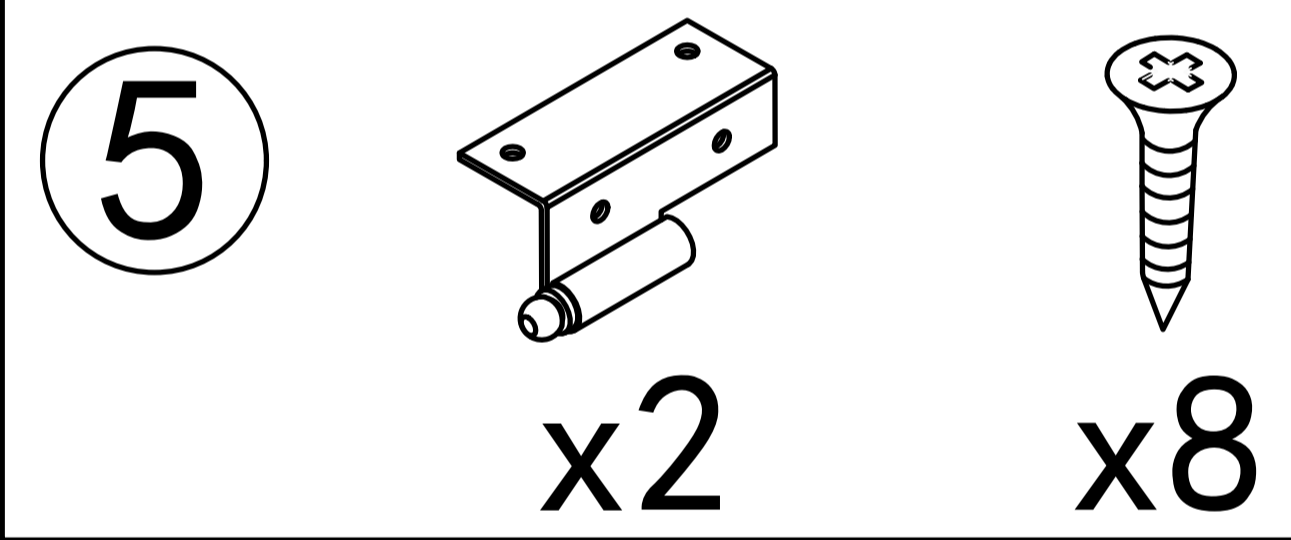
Step 9



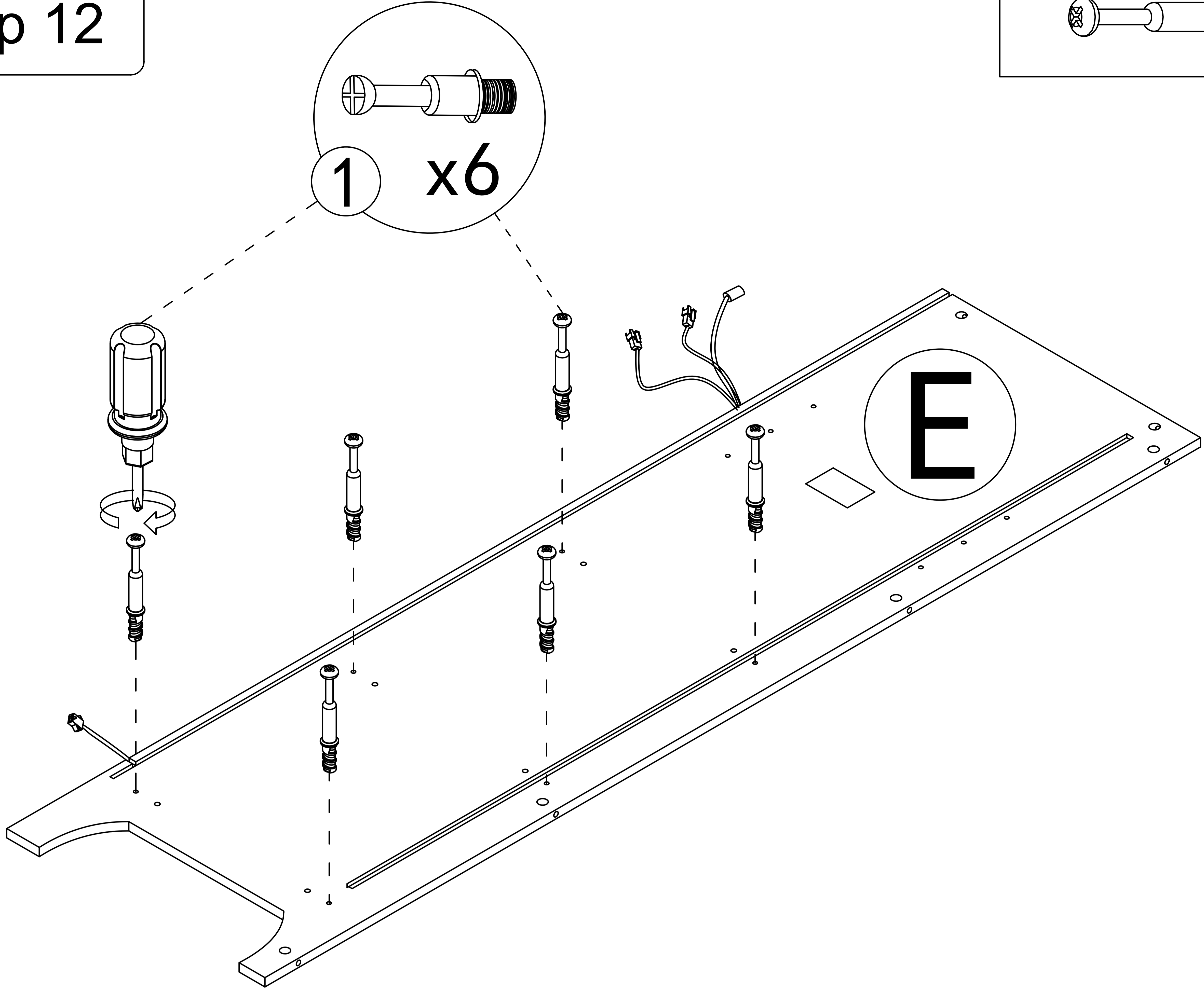
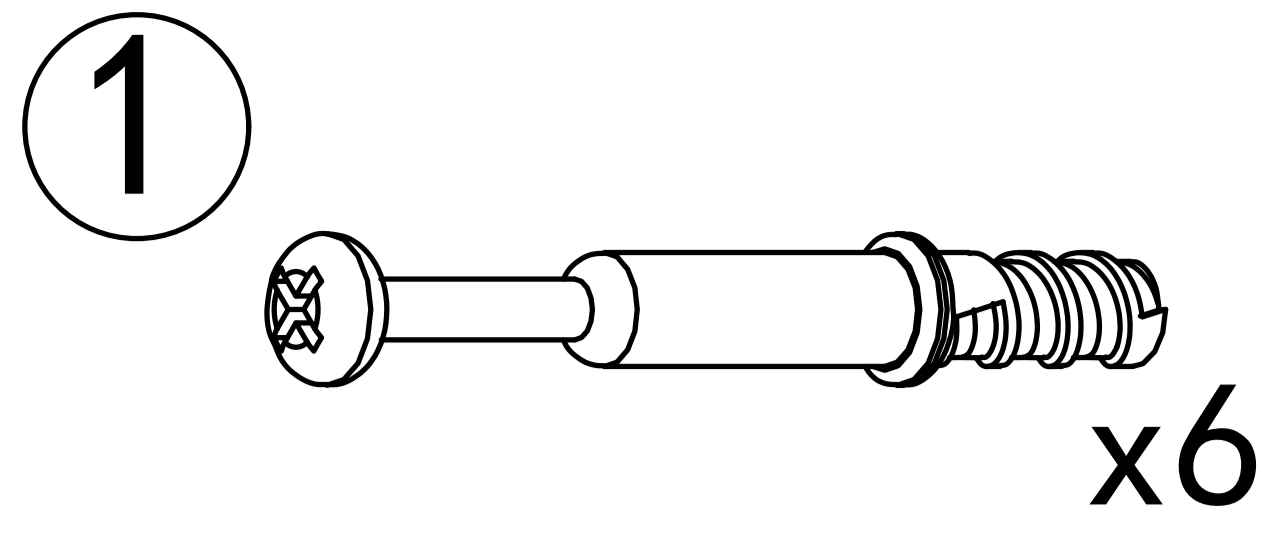
Step 10



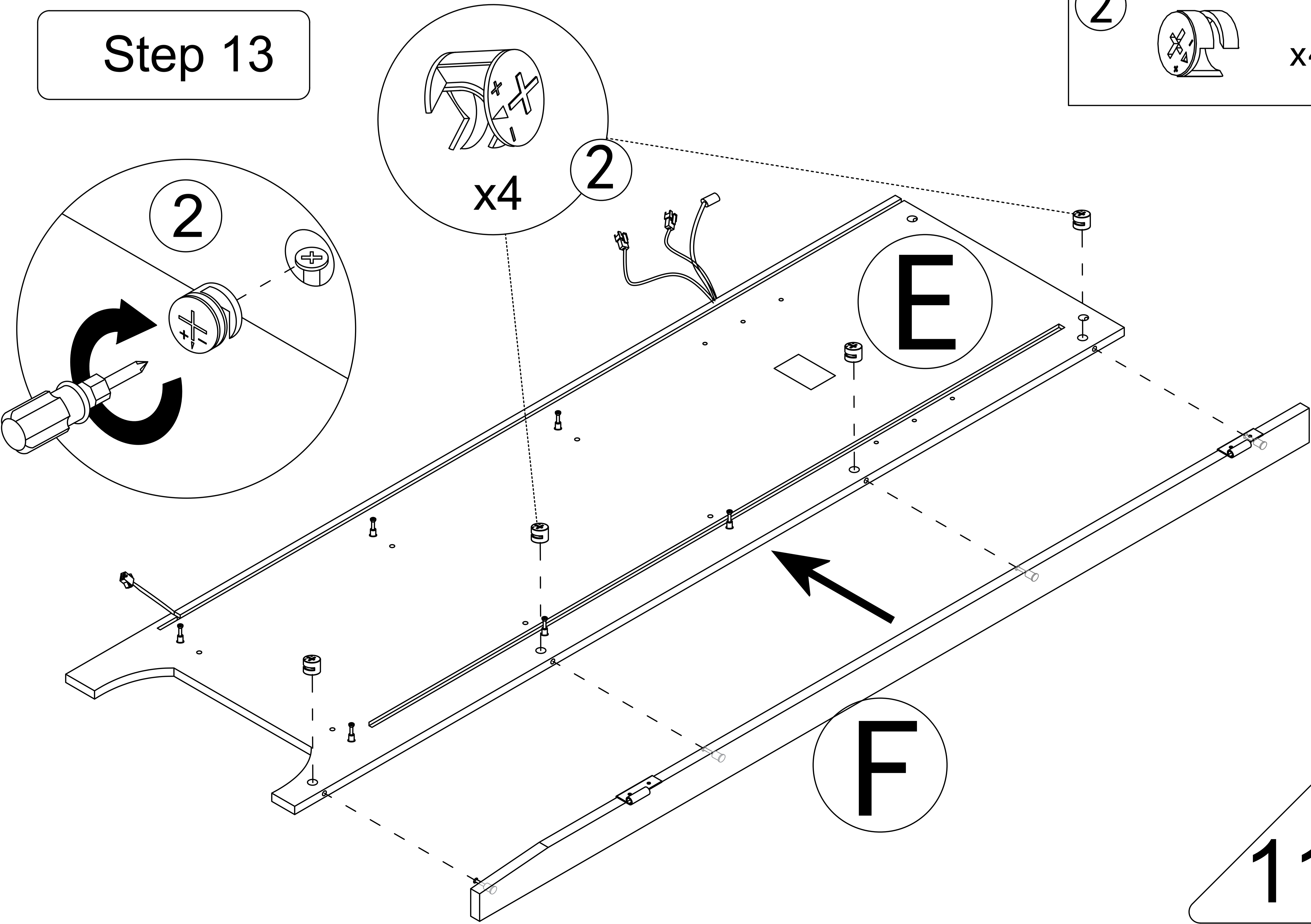
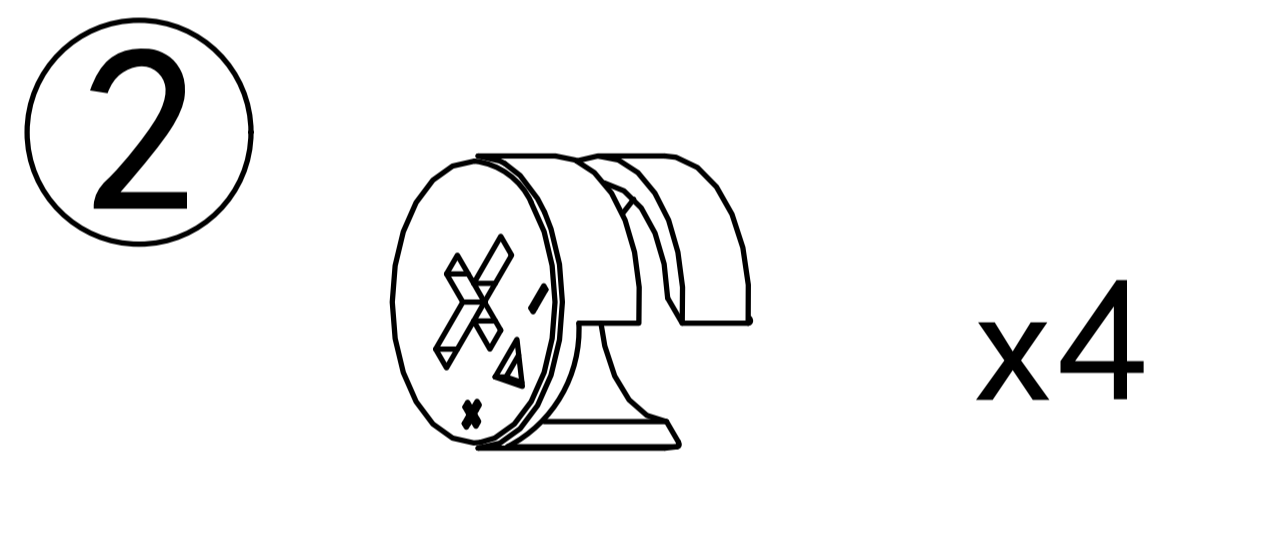
Step 11



Step 12

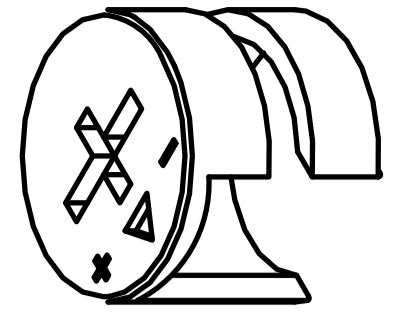


Step 13

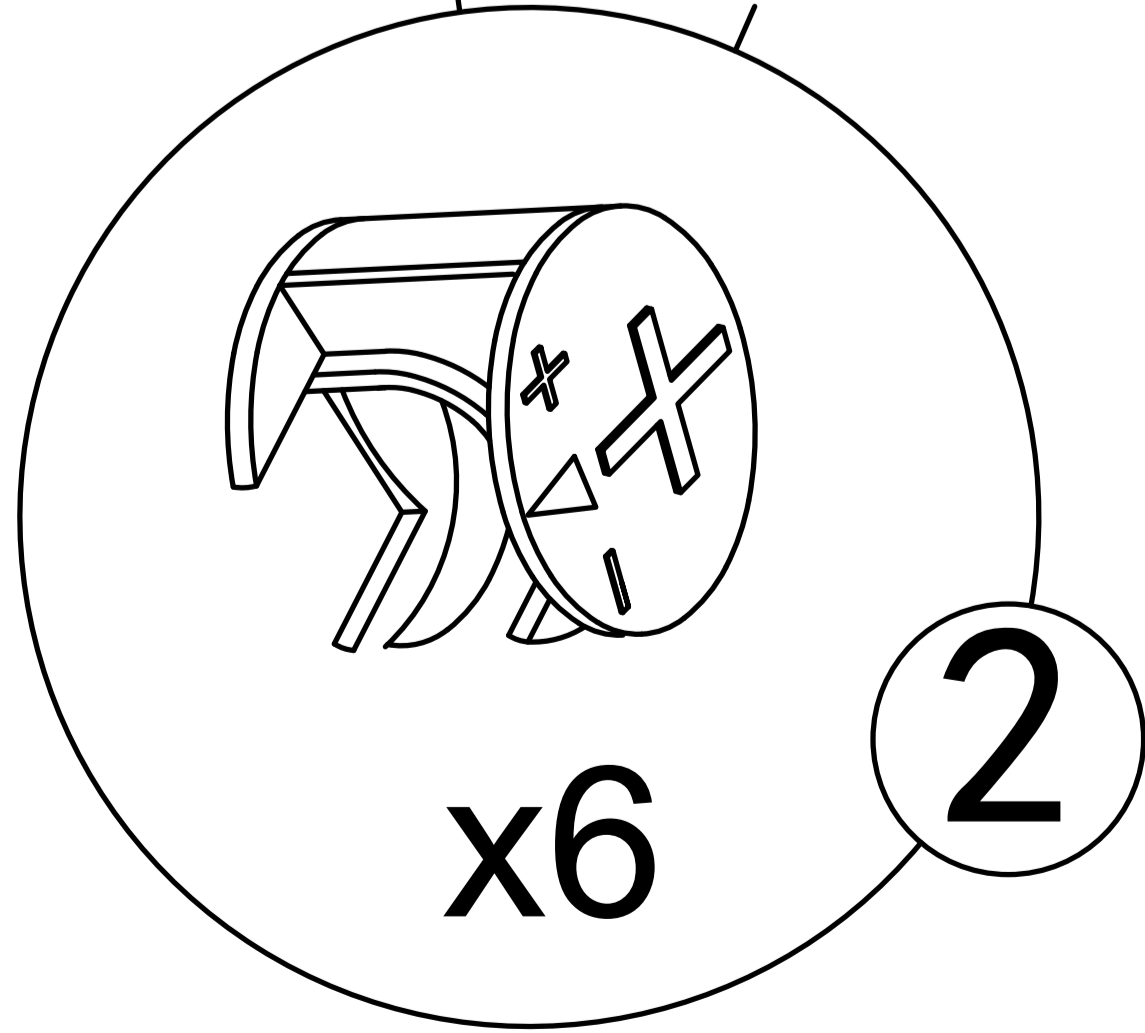
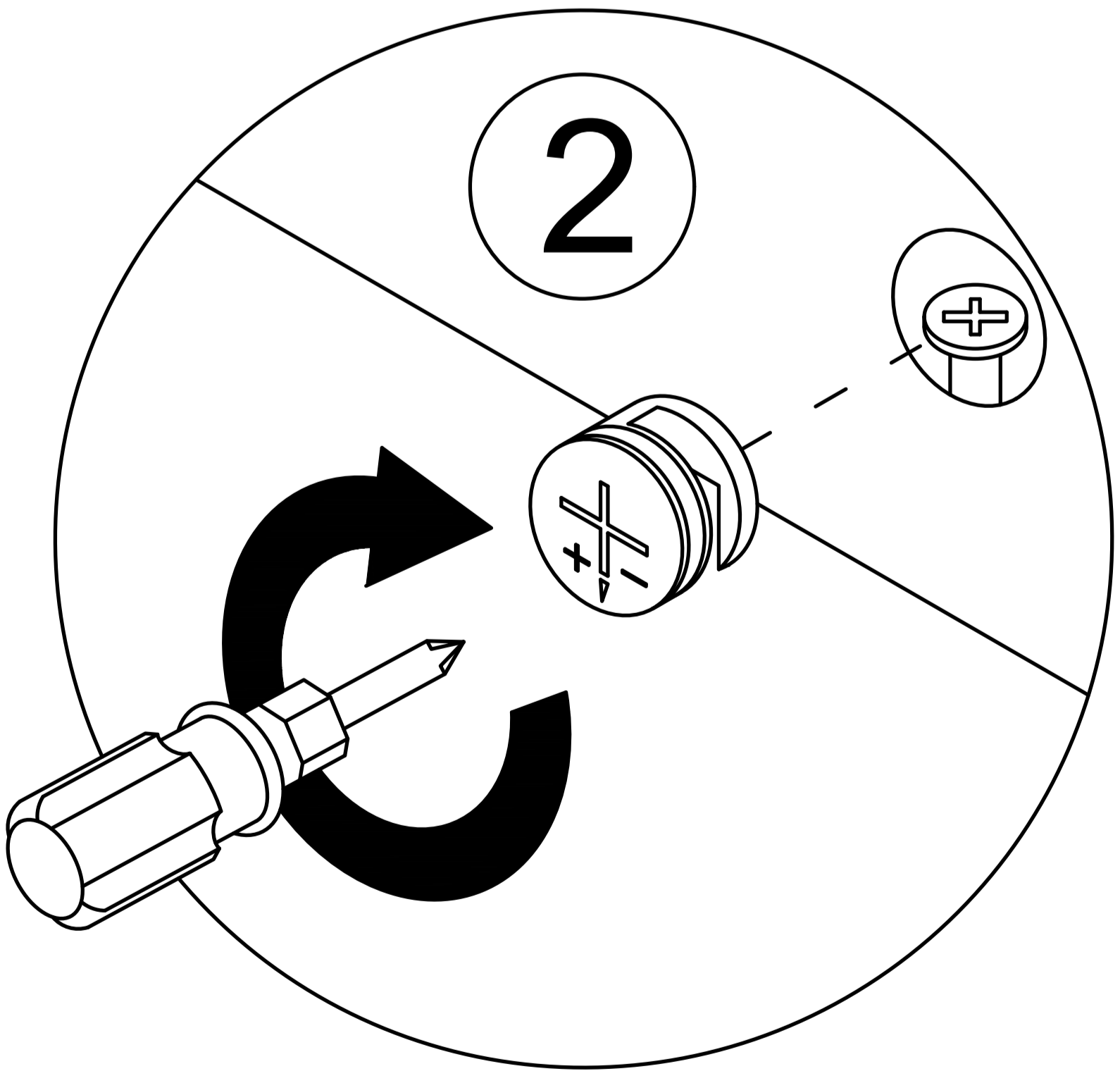
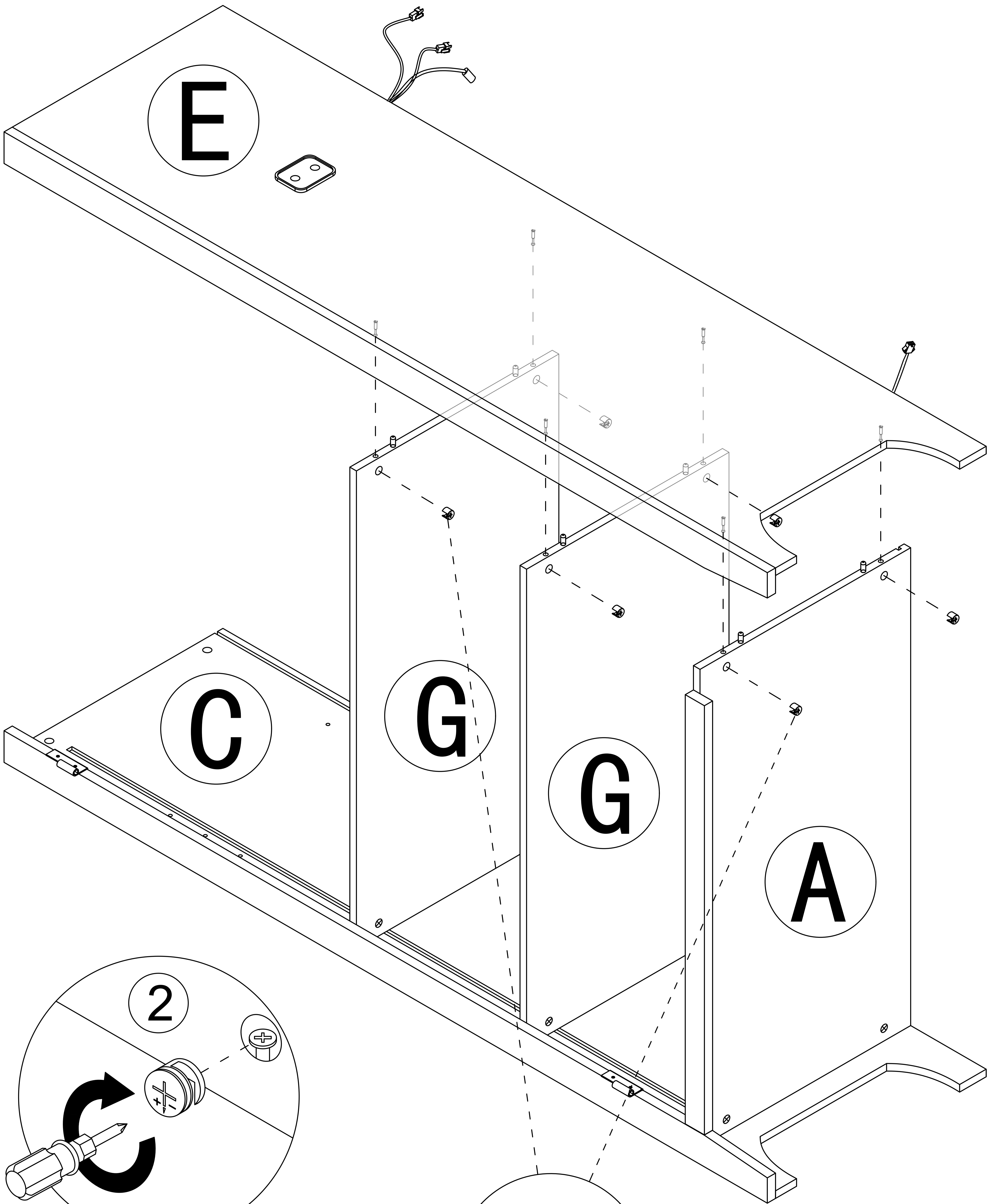


Step 14

2

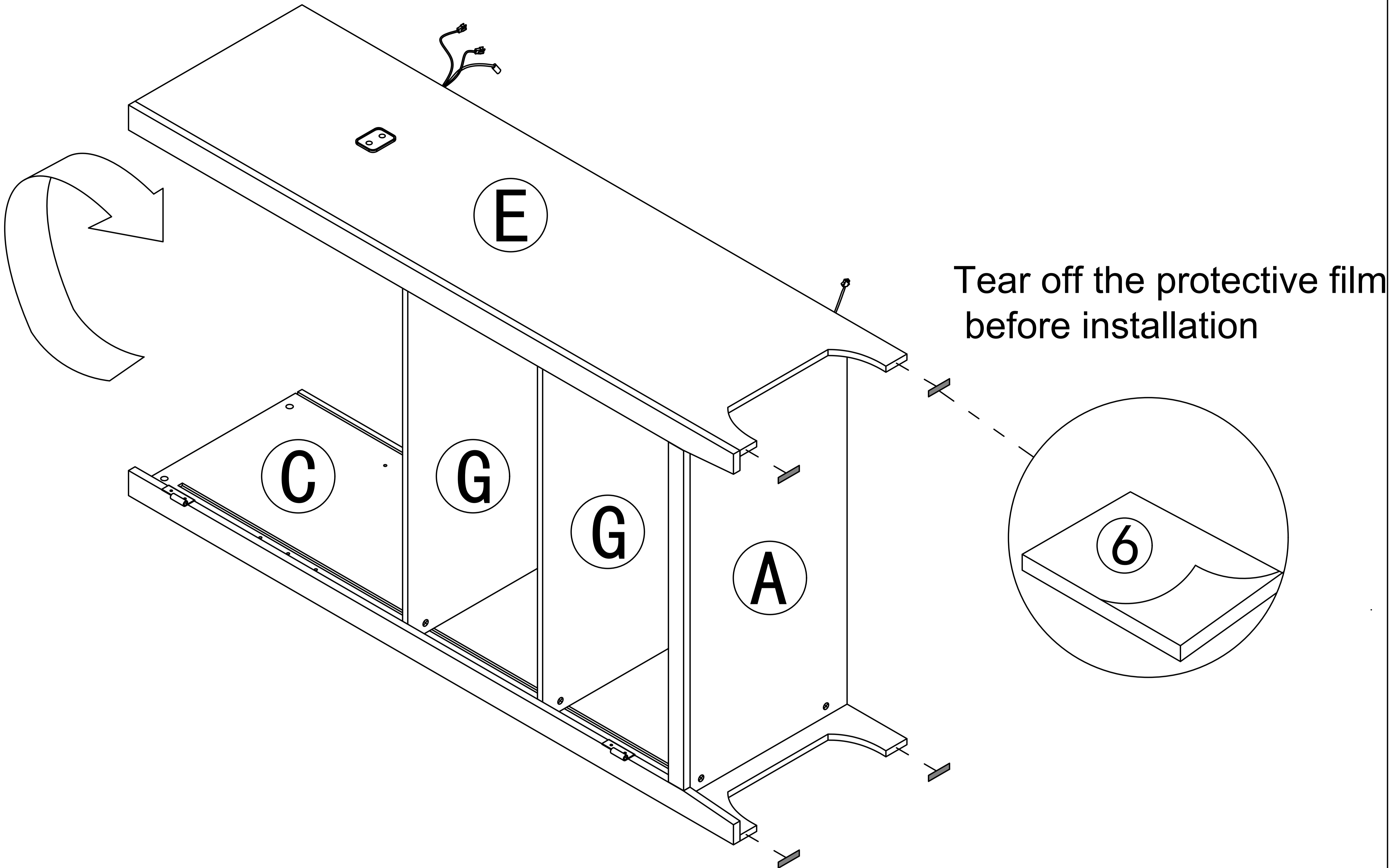


x6


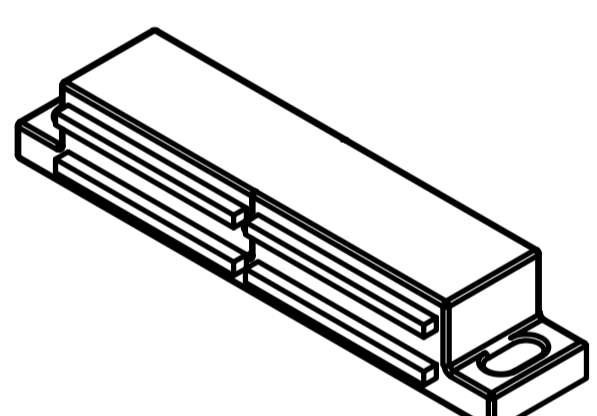
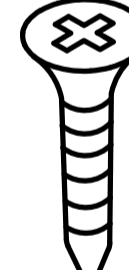


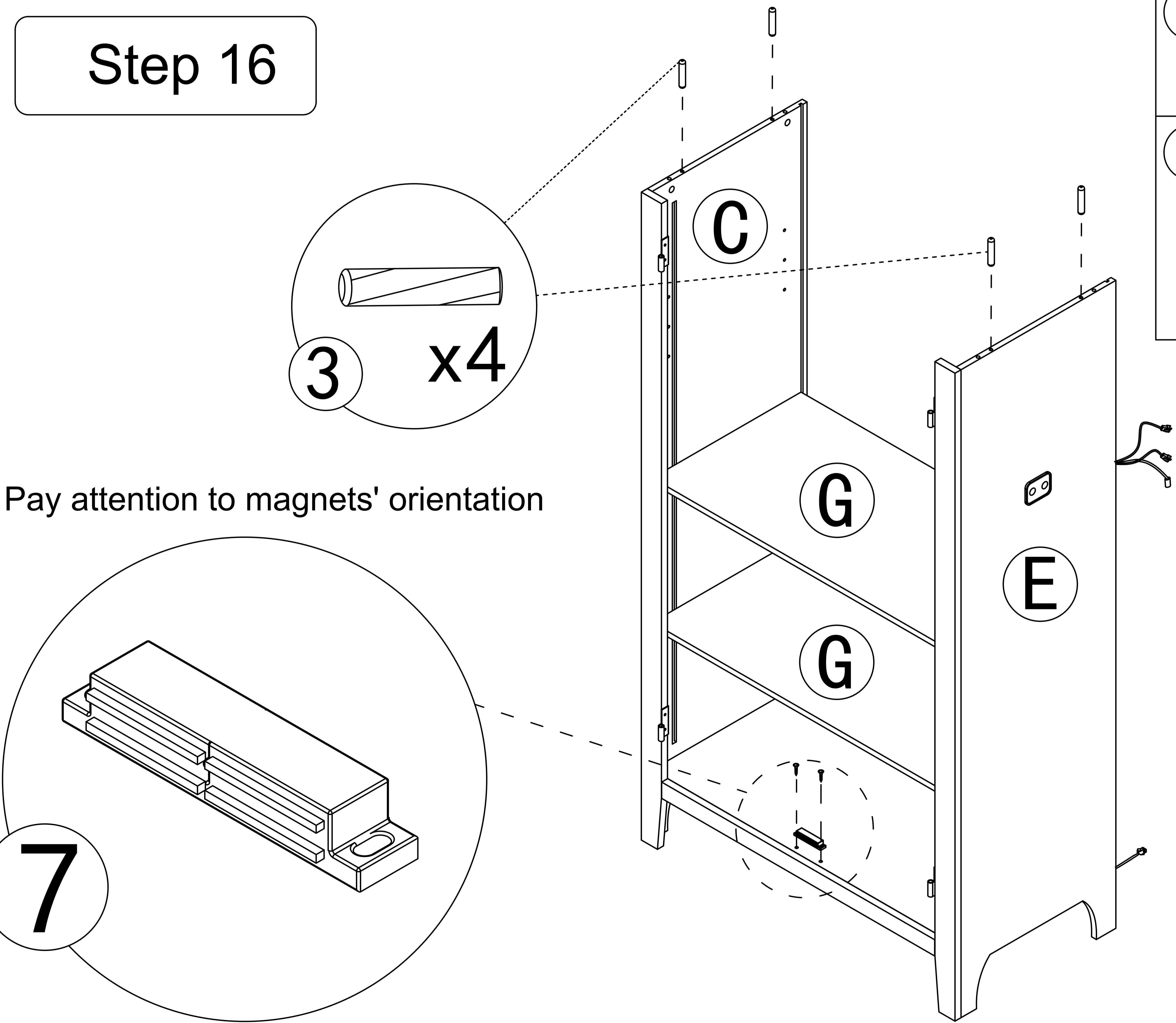
Step 15

- 6  x4



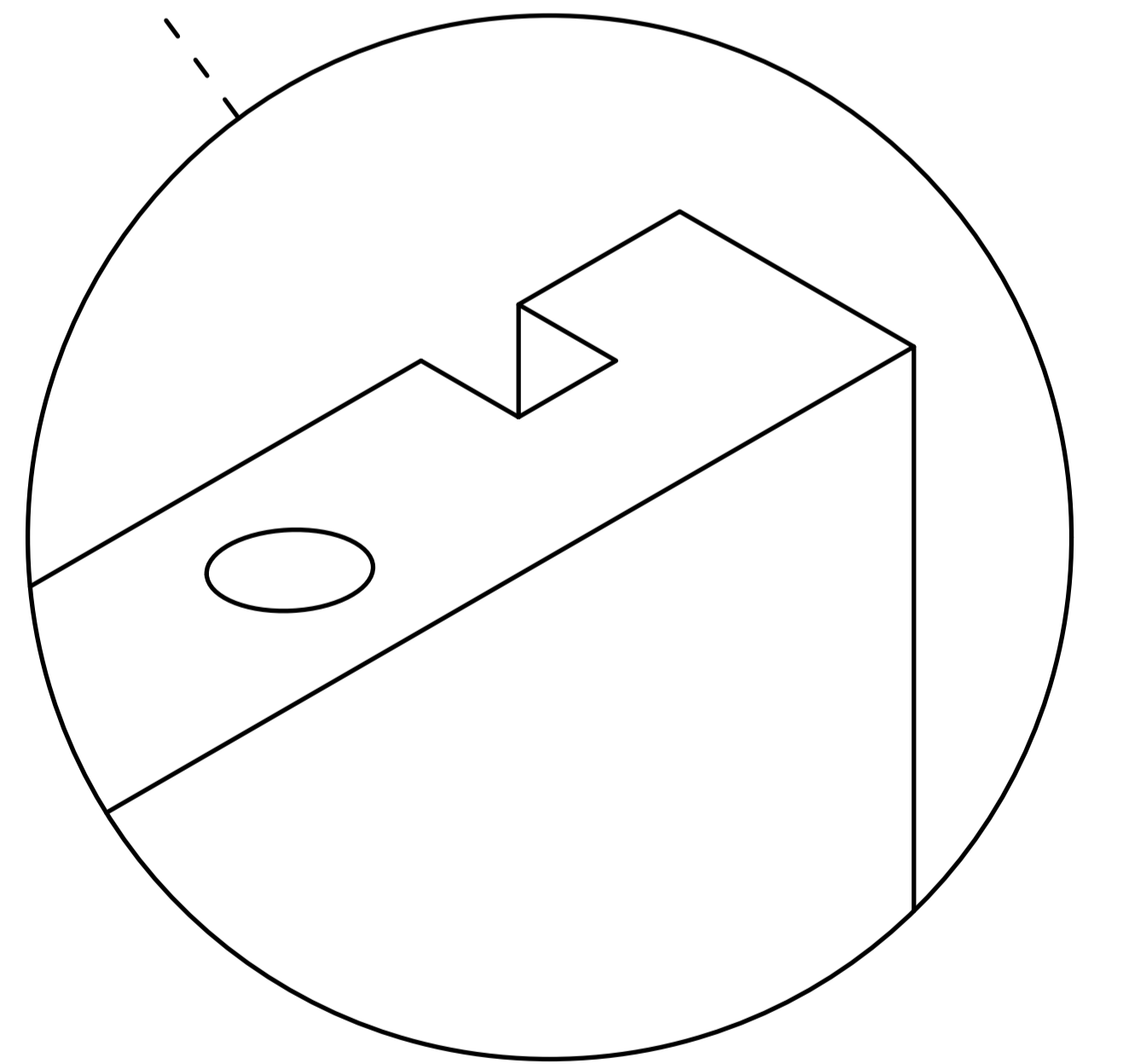
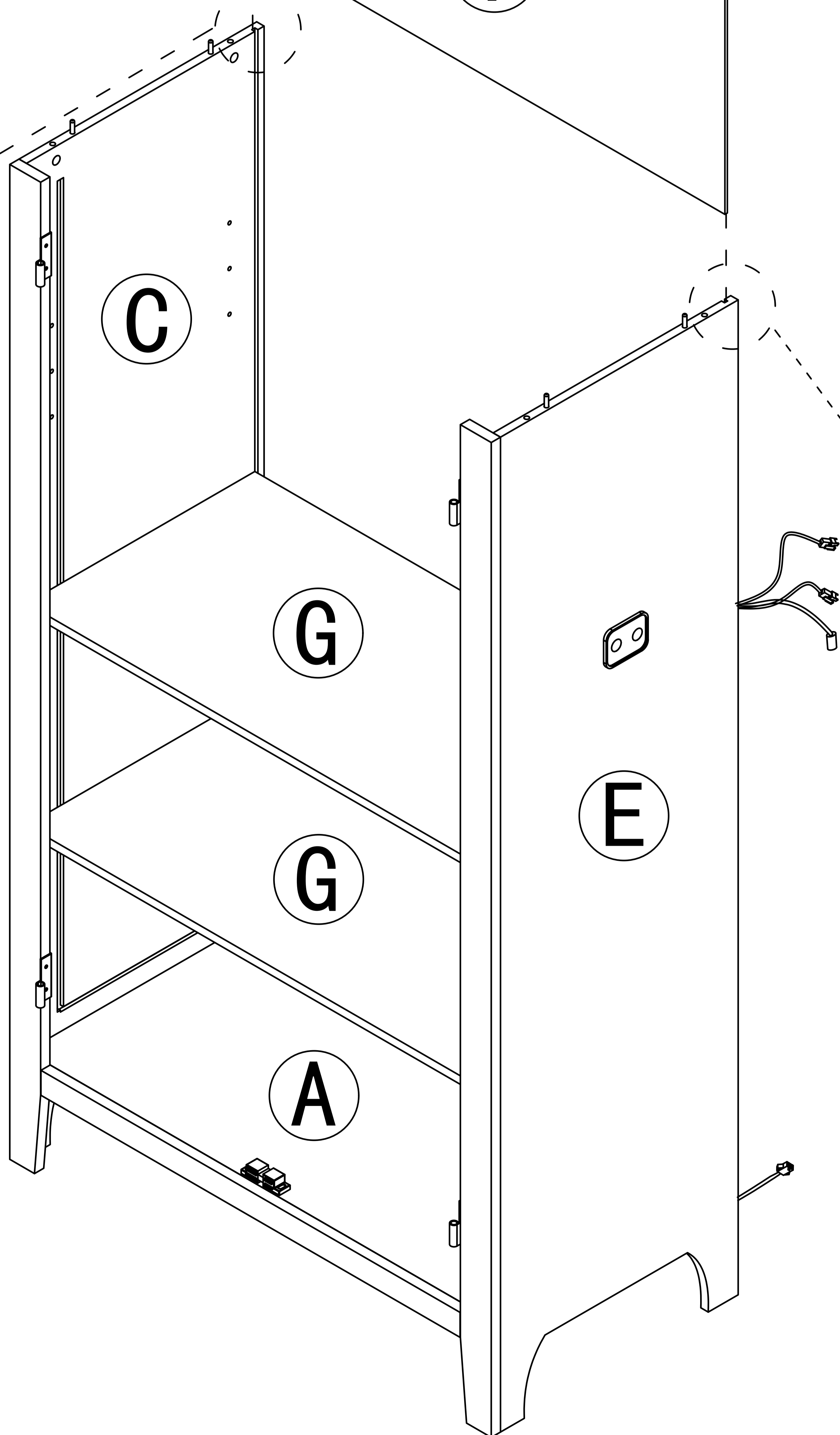
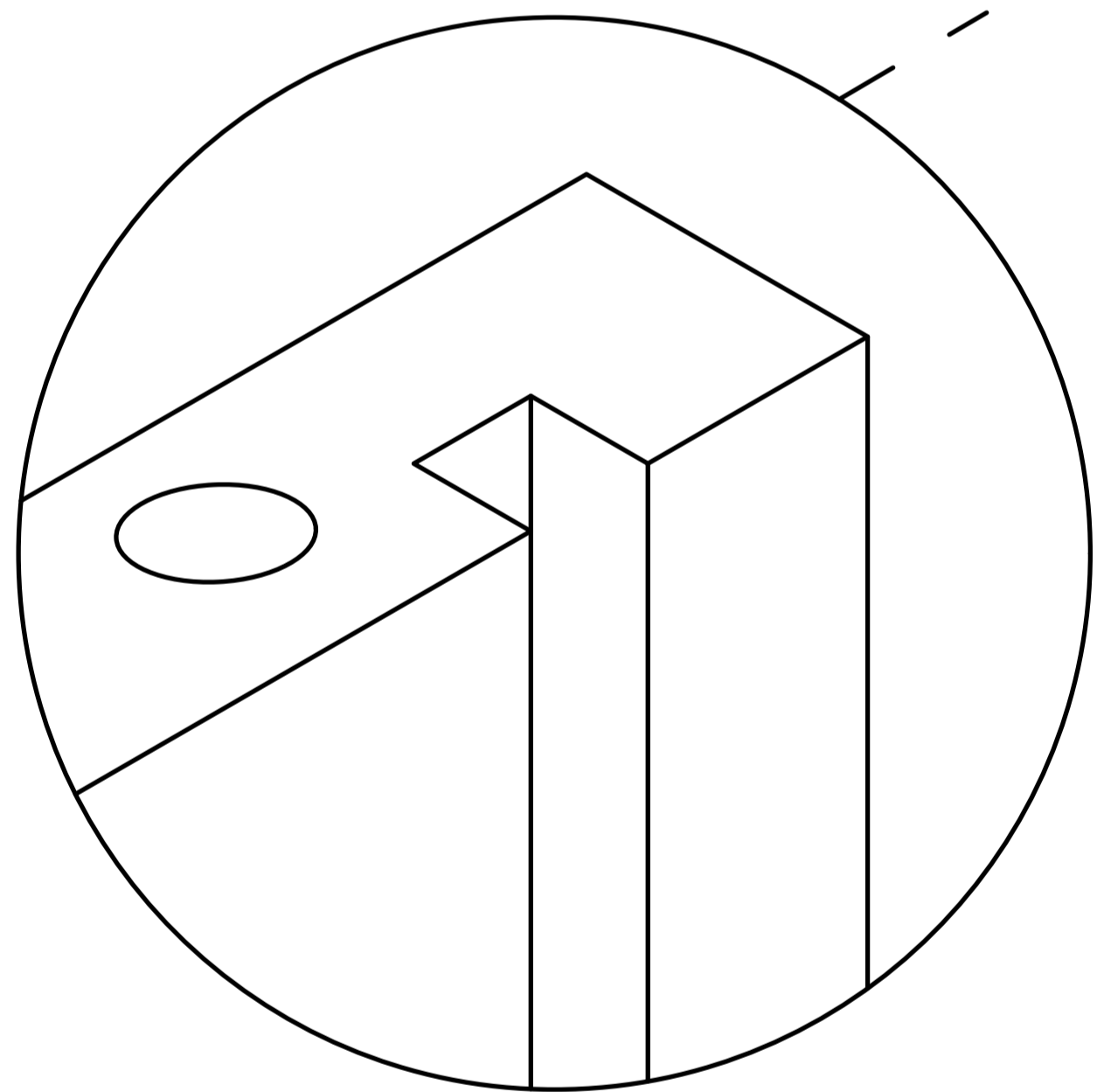
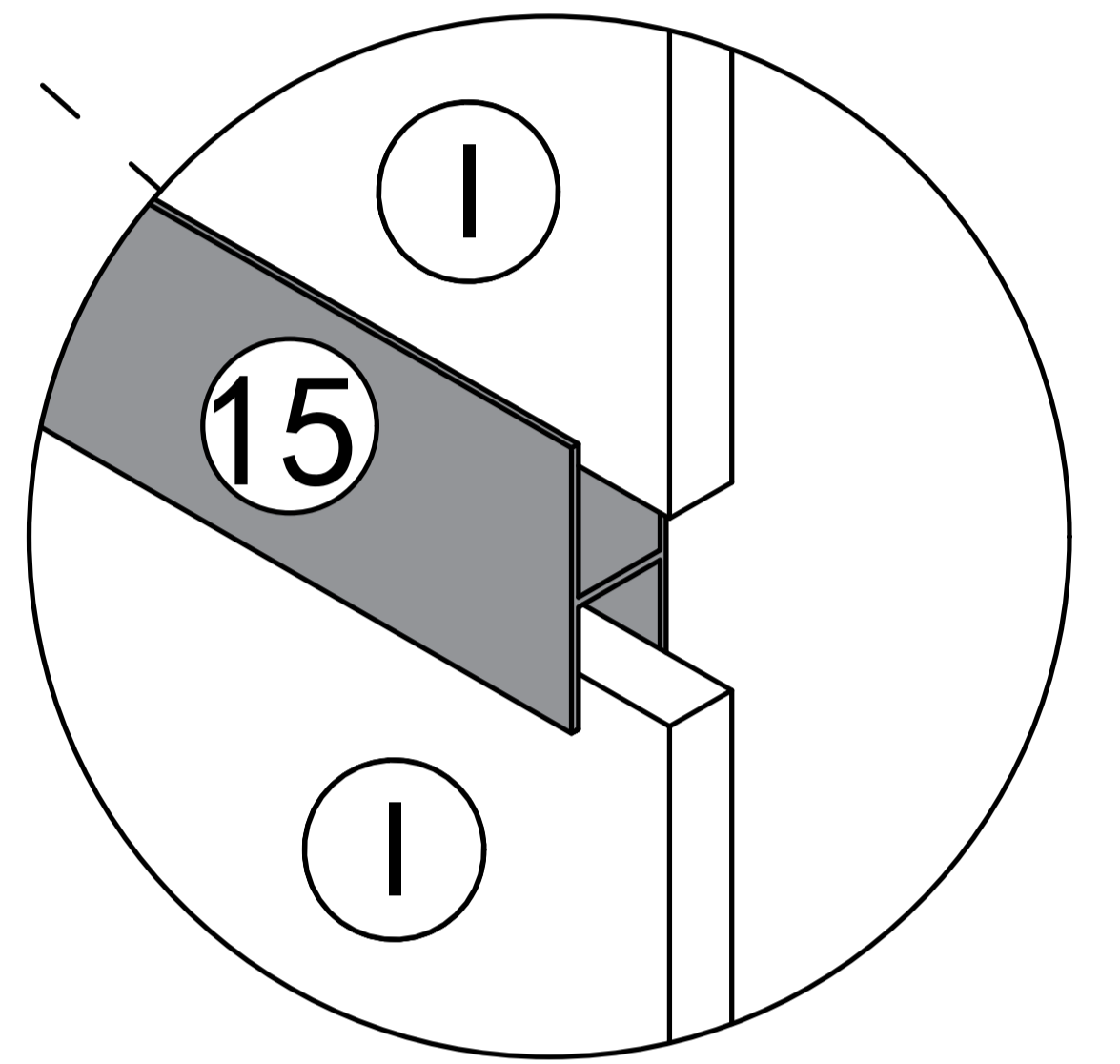
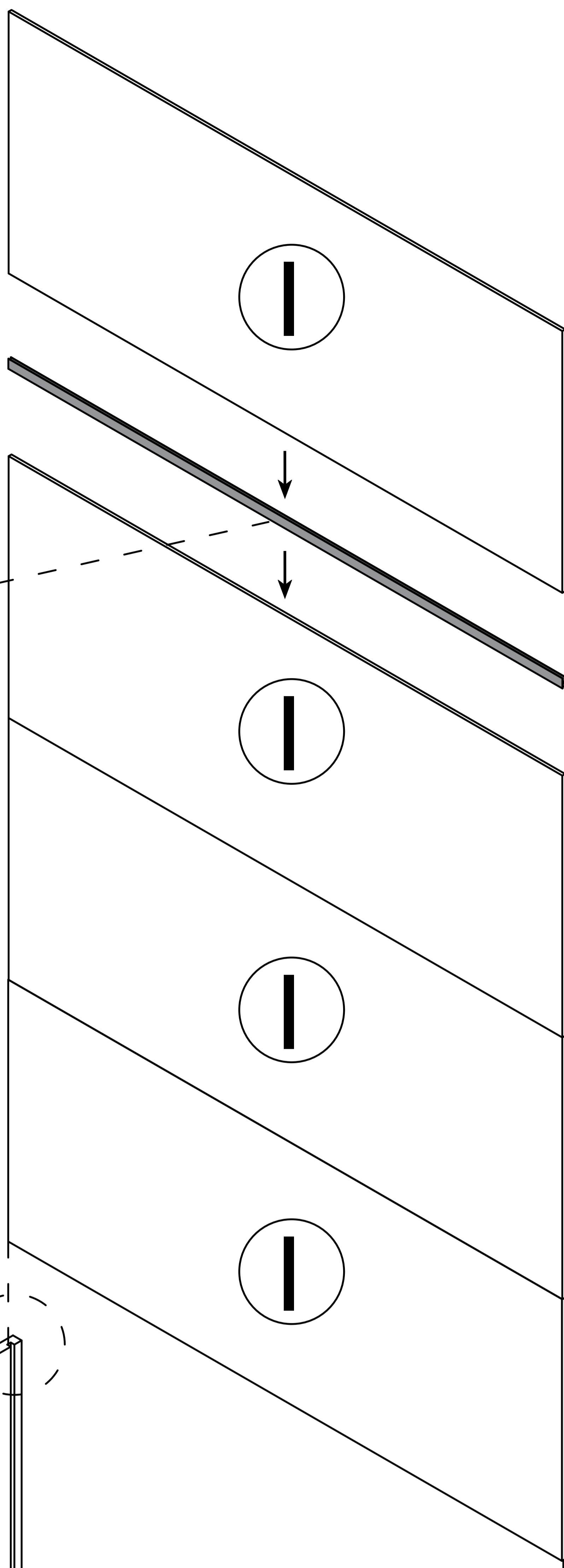
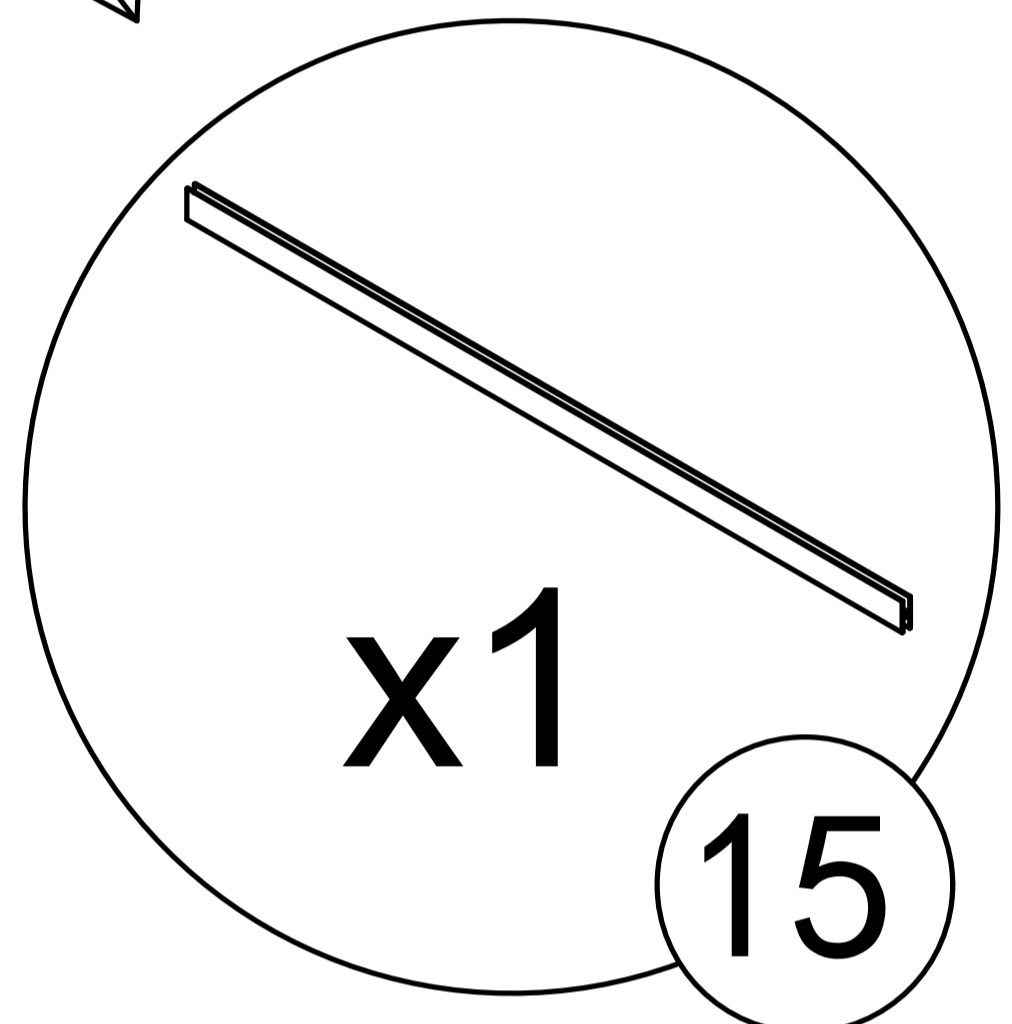
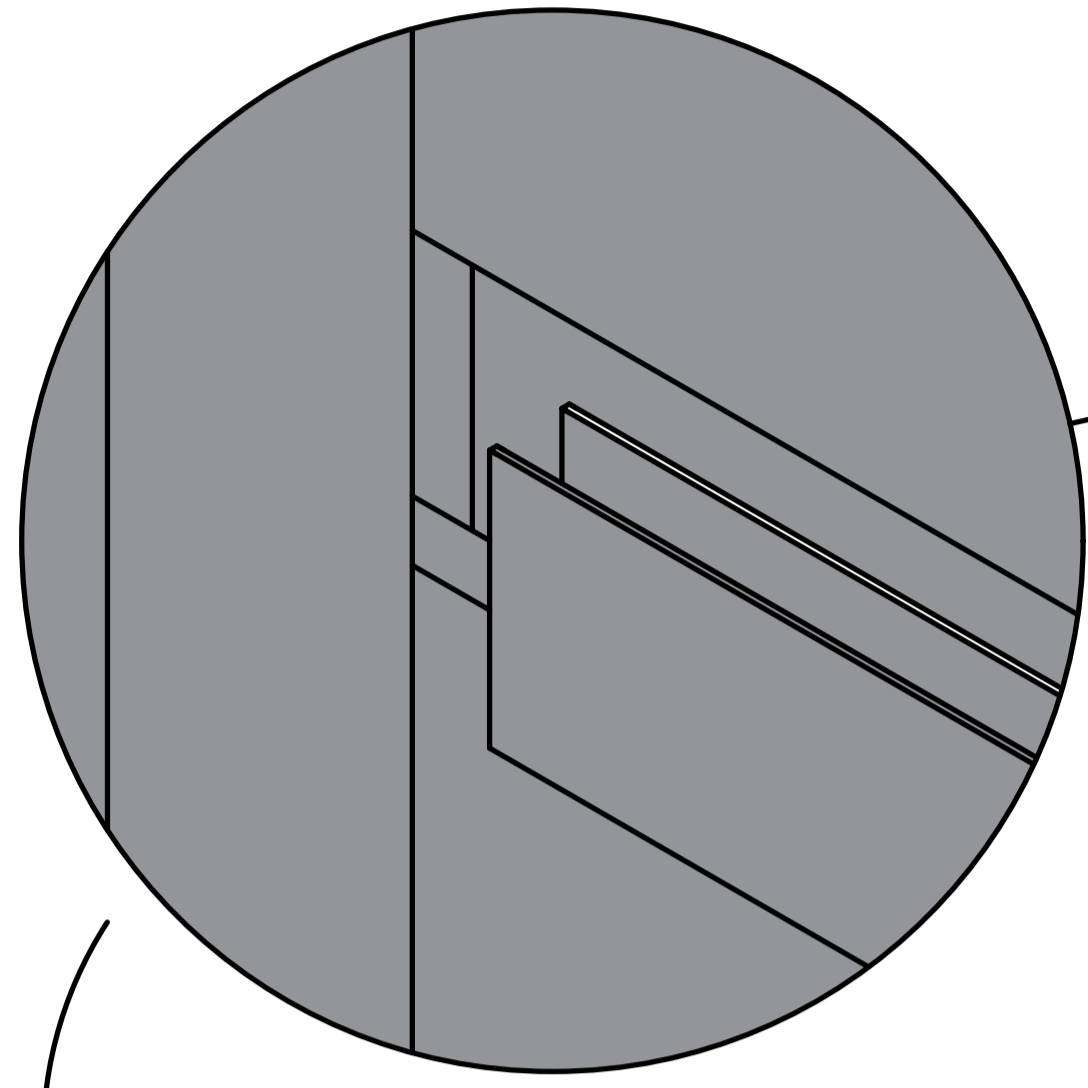
Step 16

- 3  x4
- 7  x1
-  x2



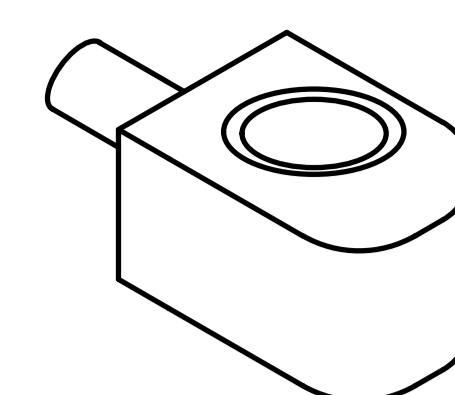
Step 17

15 x1

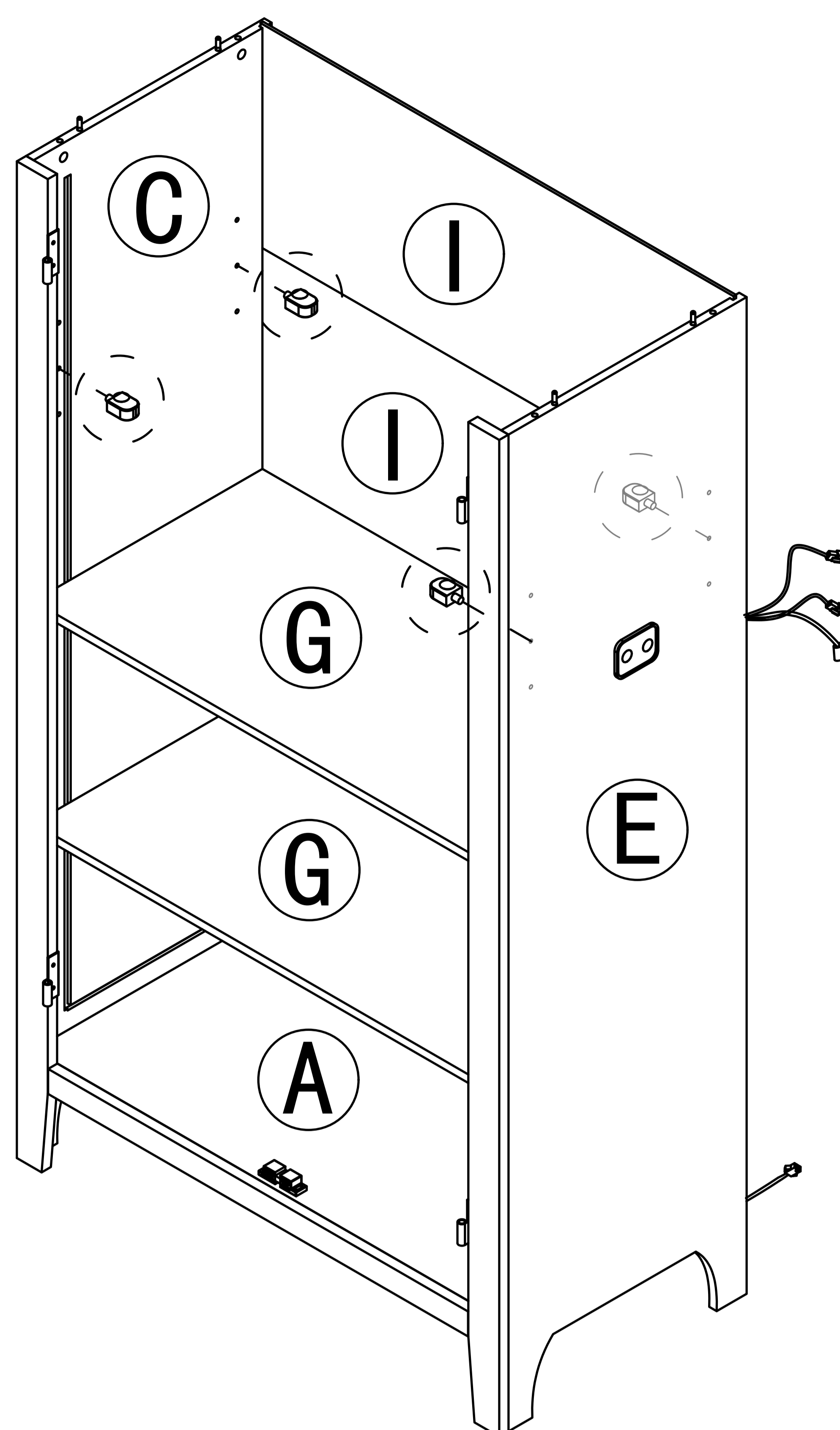


Step 18

8

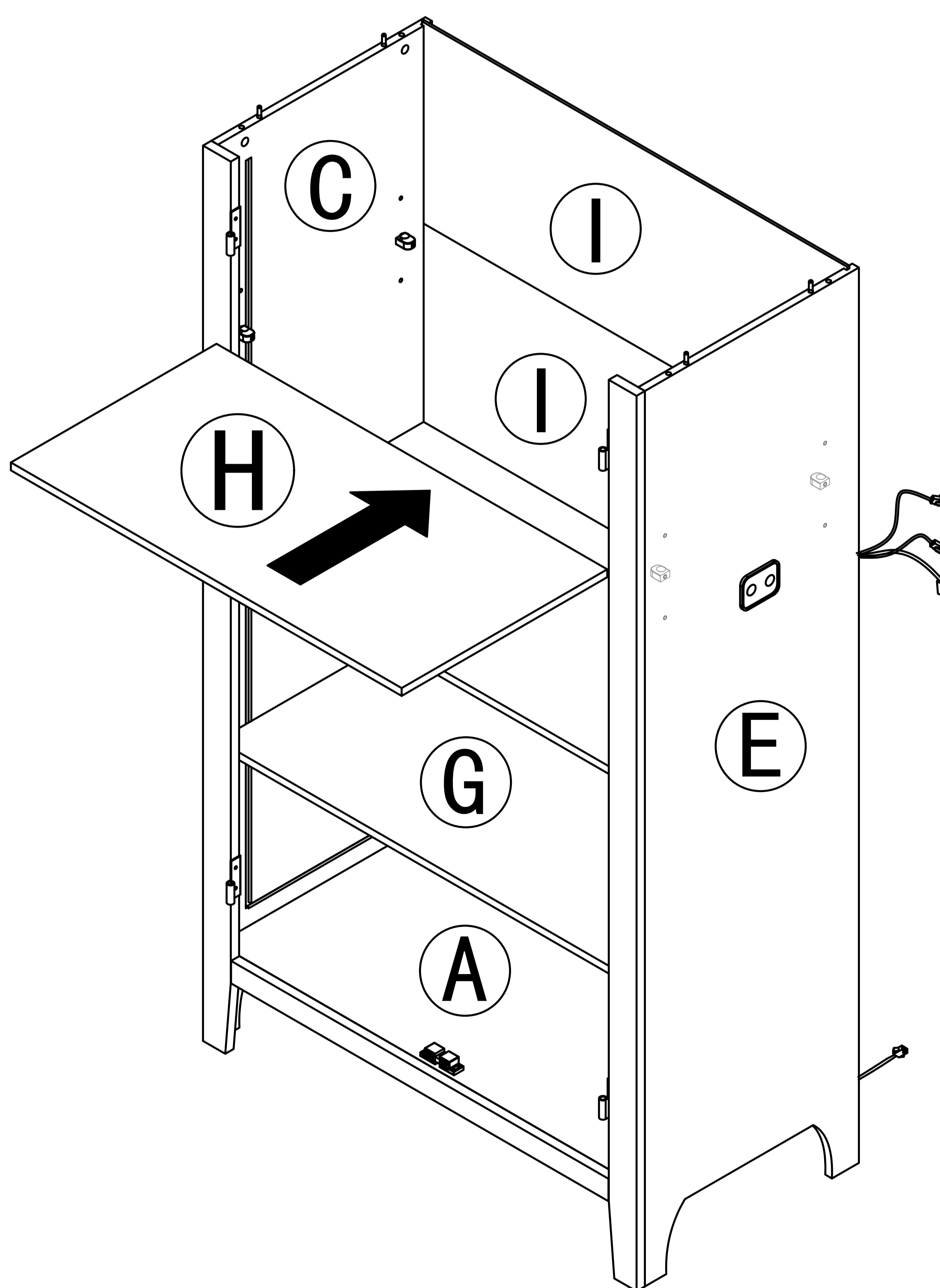


x4



Adjust 8 position according to the actual usage situation of H board

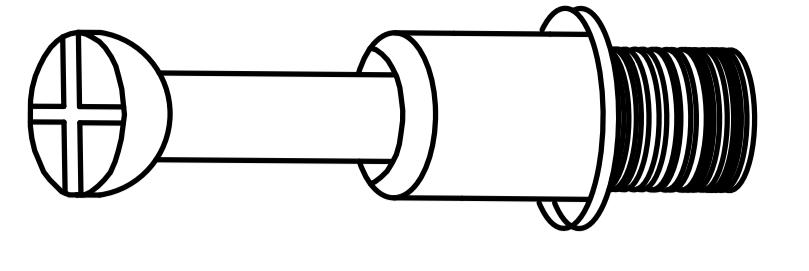

Step 19

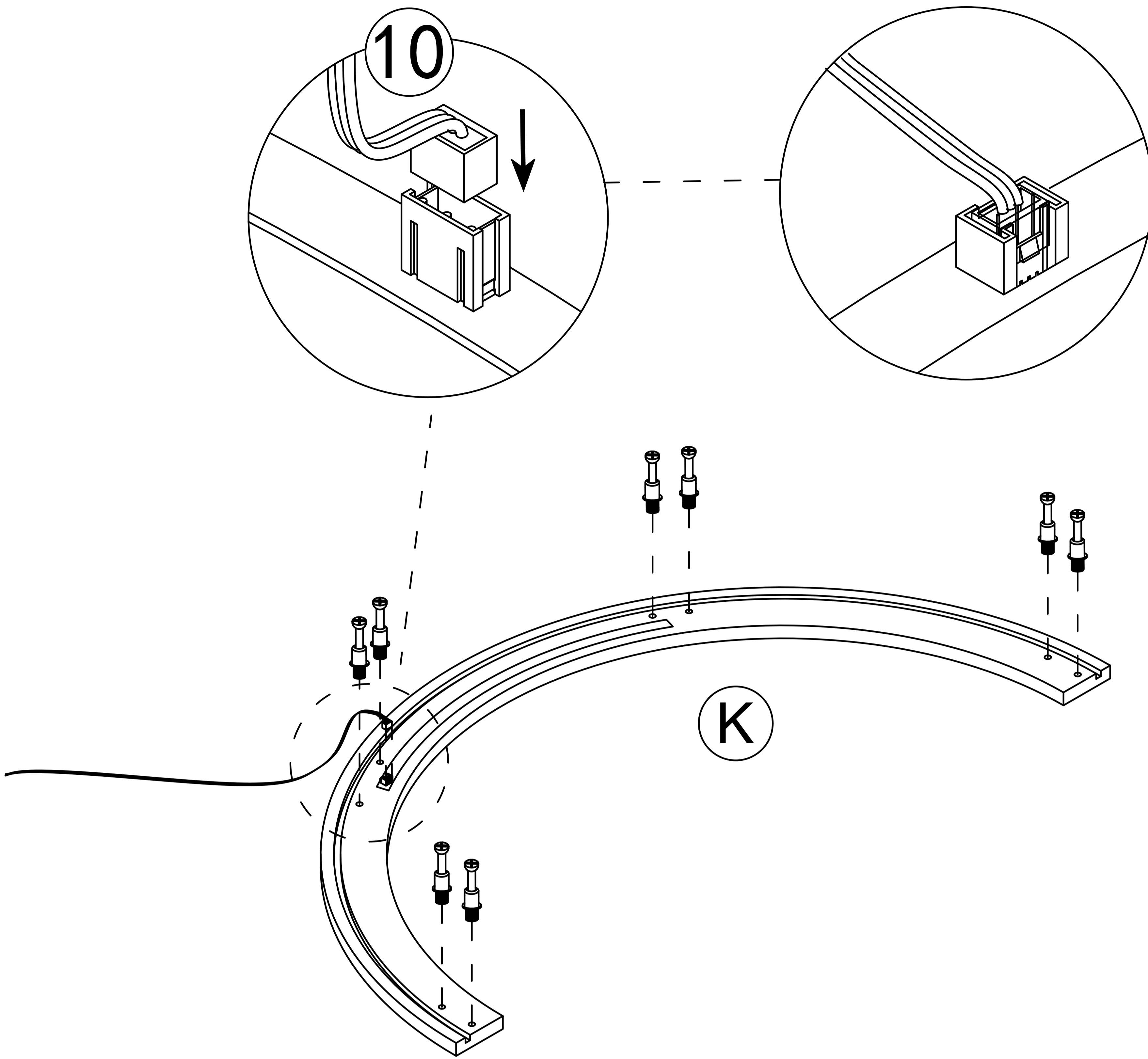


Please tilt the (H) board and place it inside

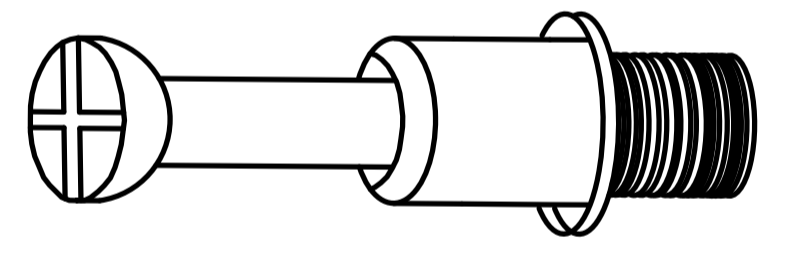
Step 20

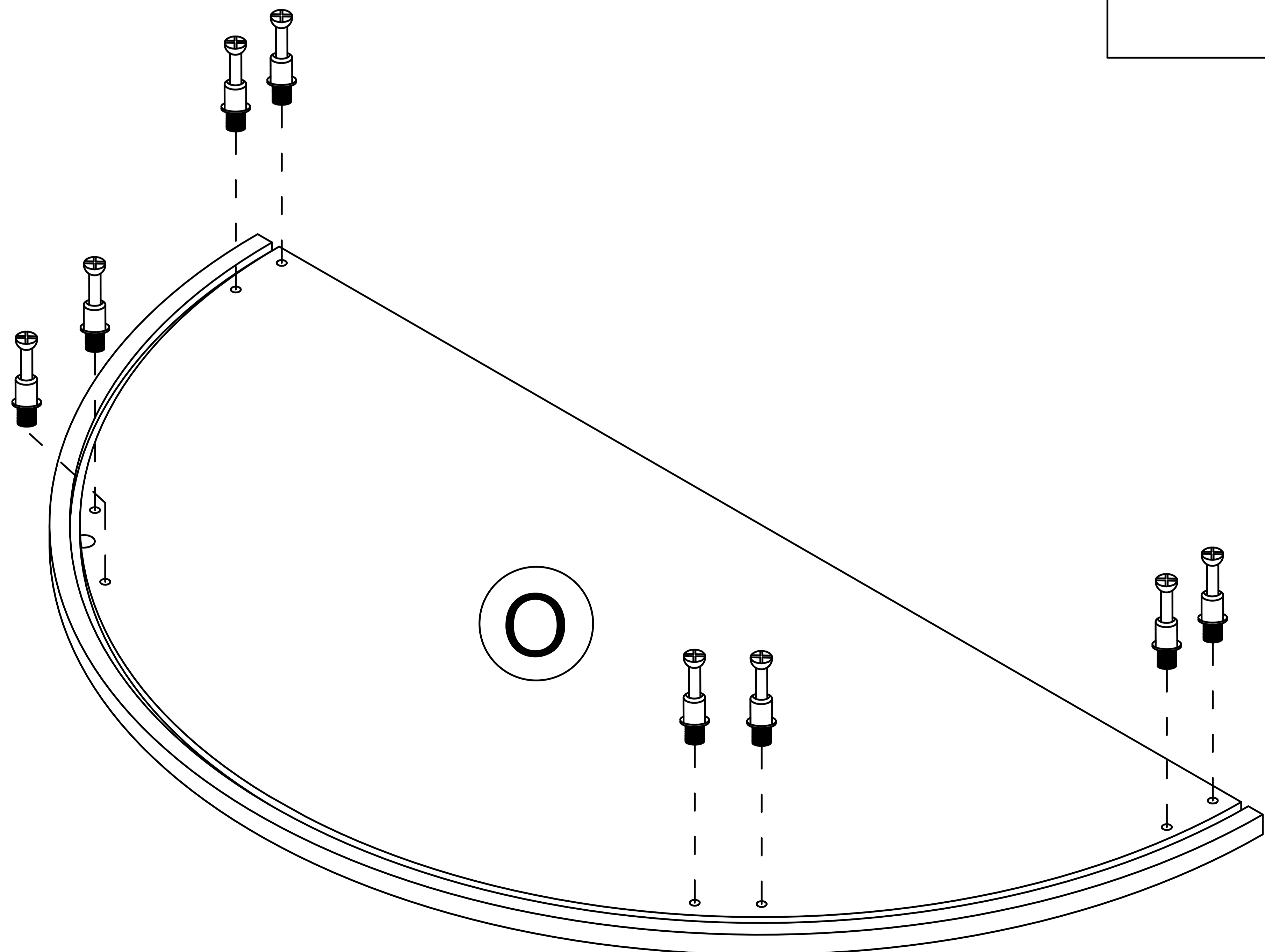
Connect the light cable socket

- 1  x8
- 10  x1

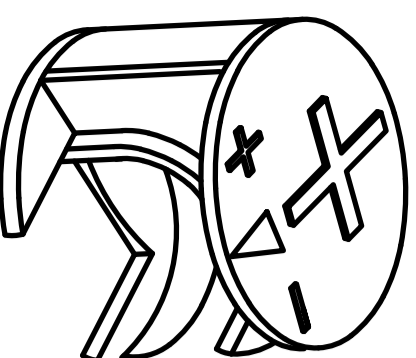


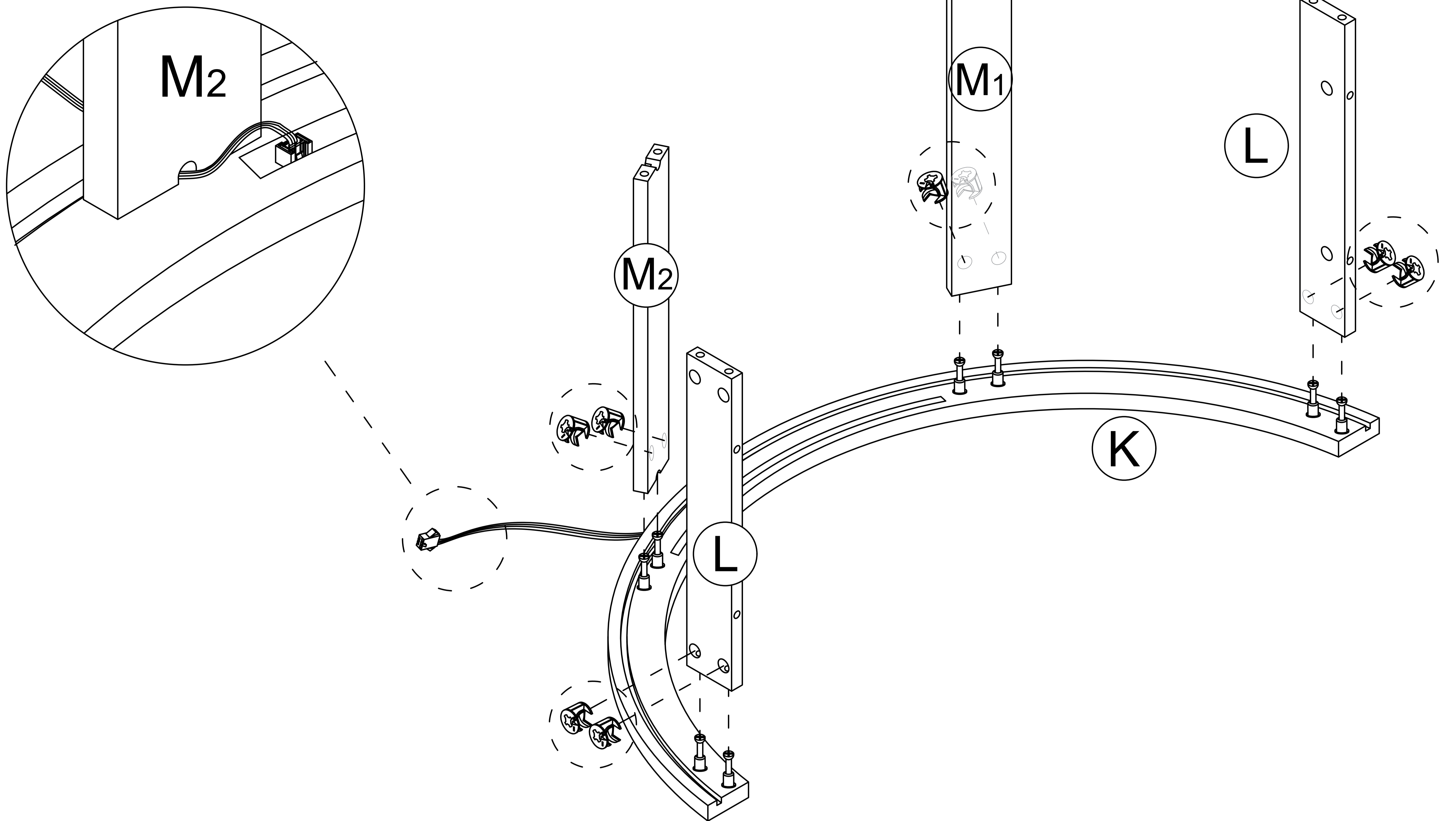
Step 21

- 1  x8



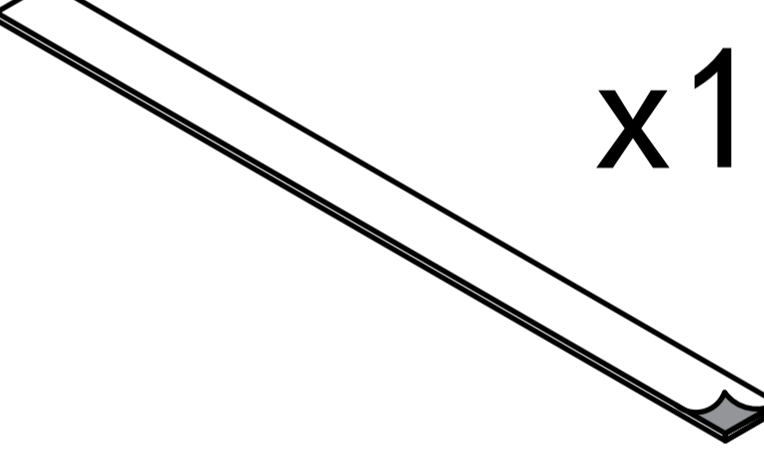
Step 22

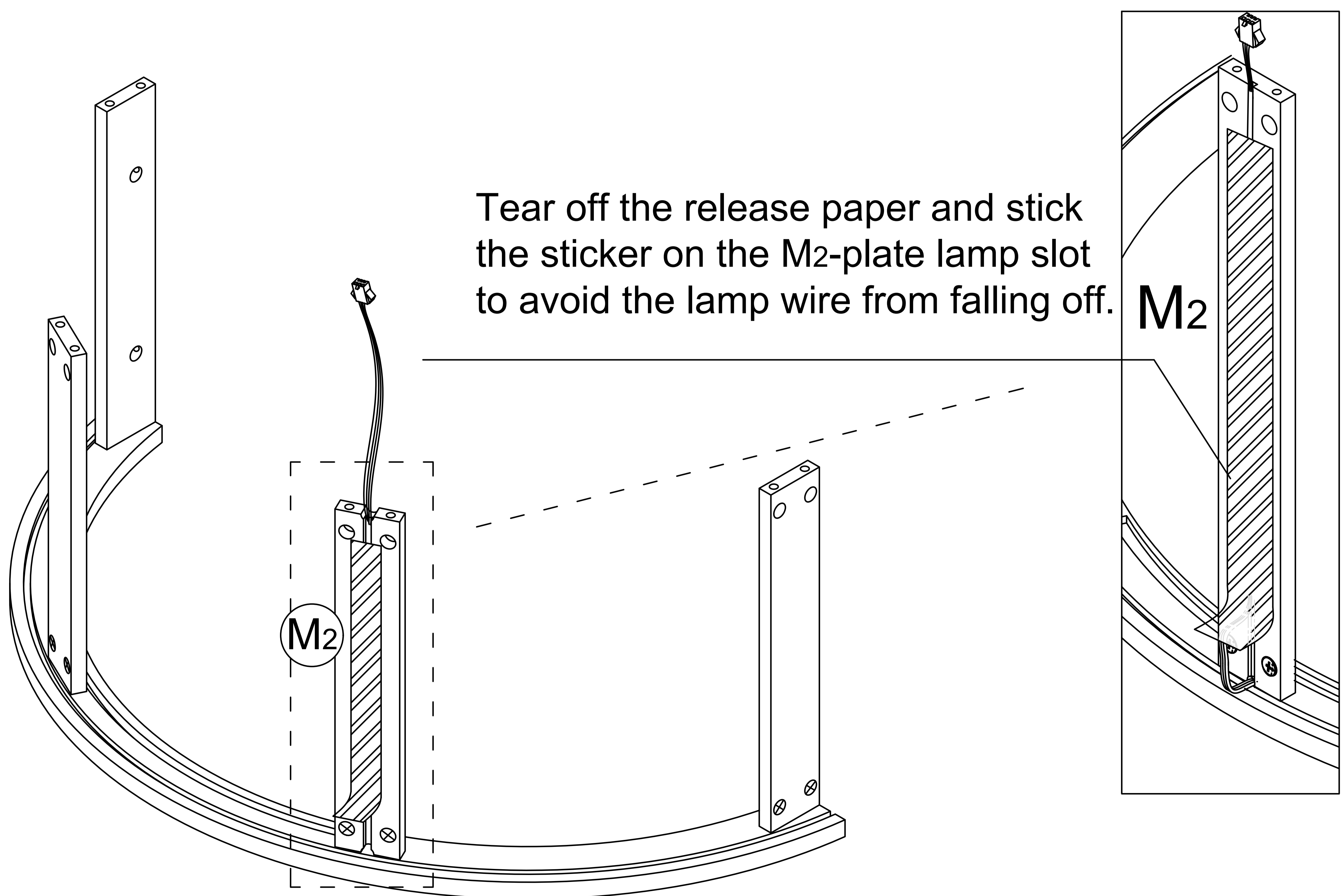
2  x8



Thread the light wire through board M2 and tighten the nut

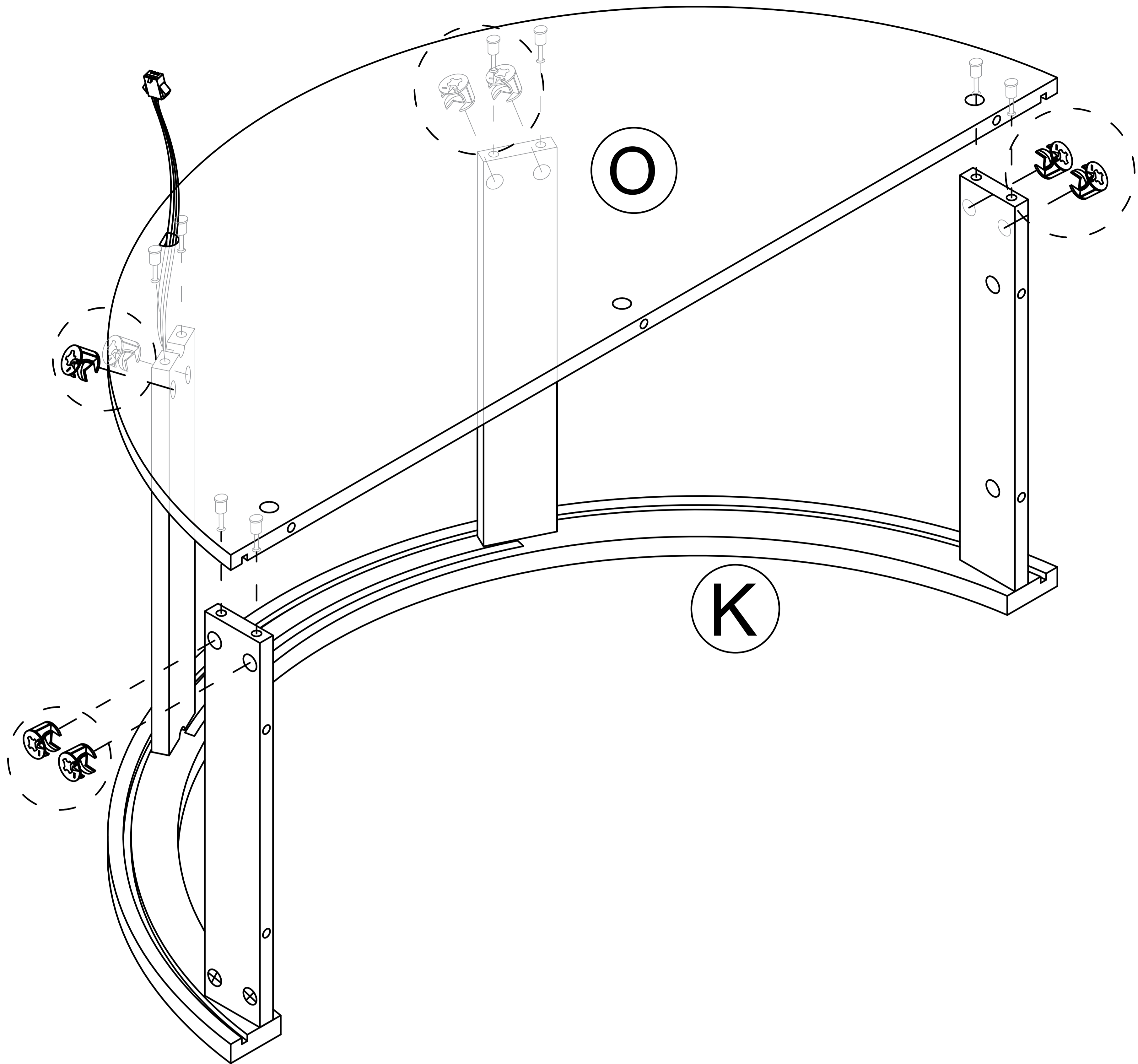
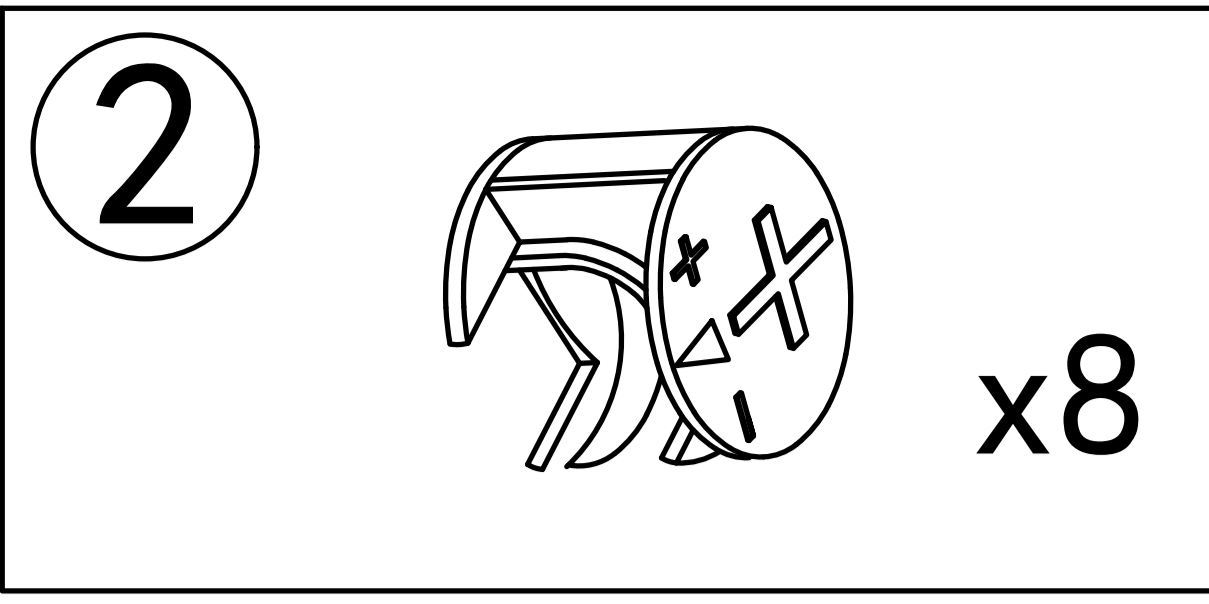
Step 23

9  x1

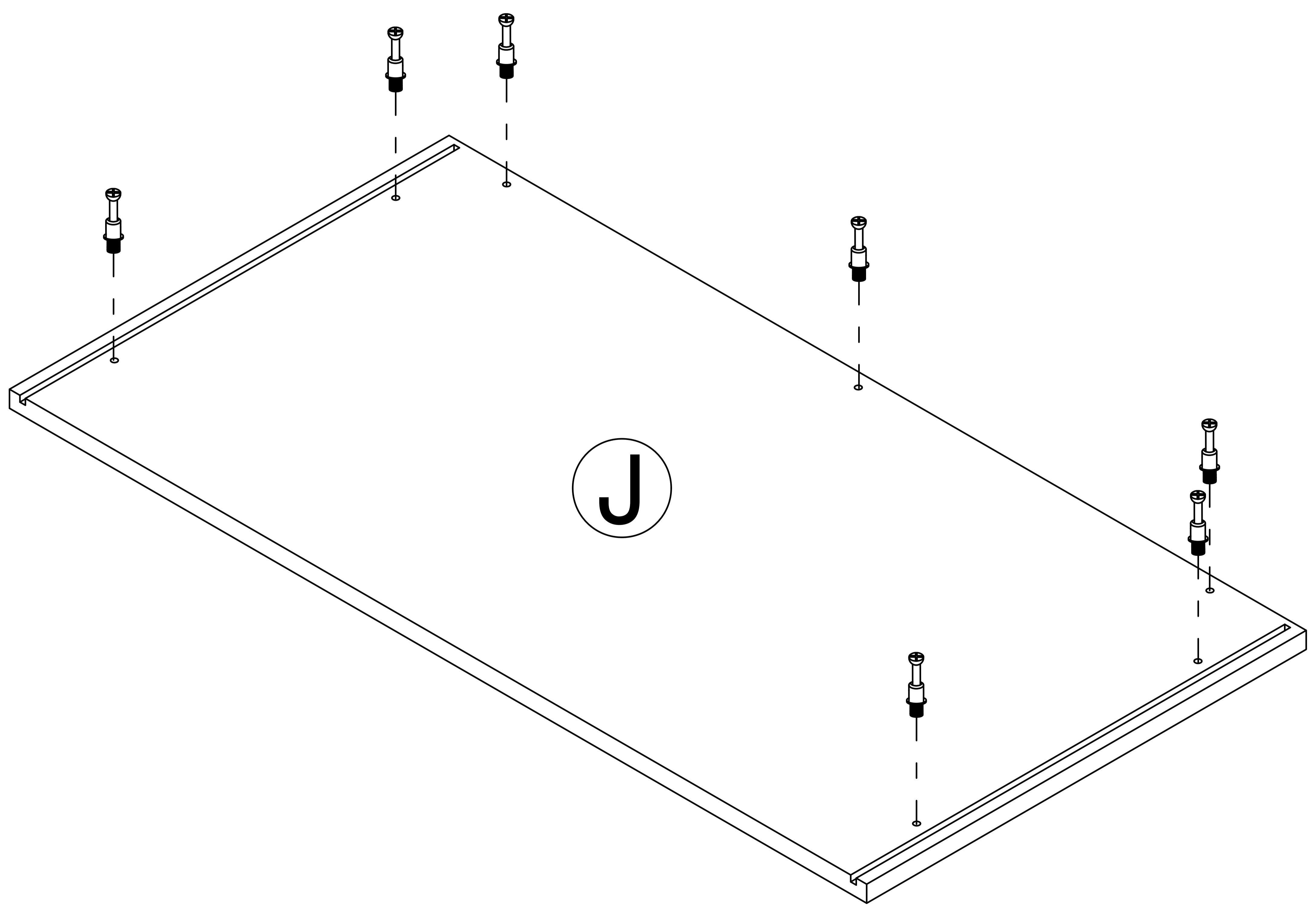
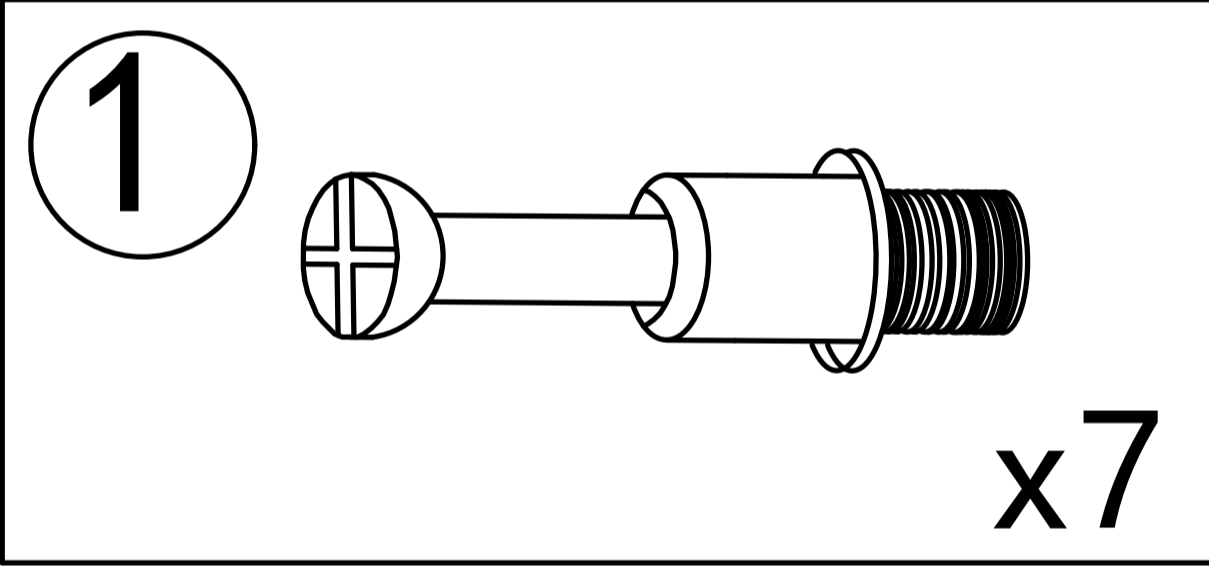


Tear off the release paper and stick the sticker on the M2-plate lamp slot to avoid the lamp wire from falling off.

Step 24

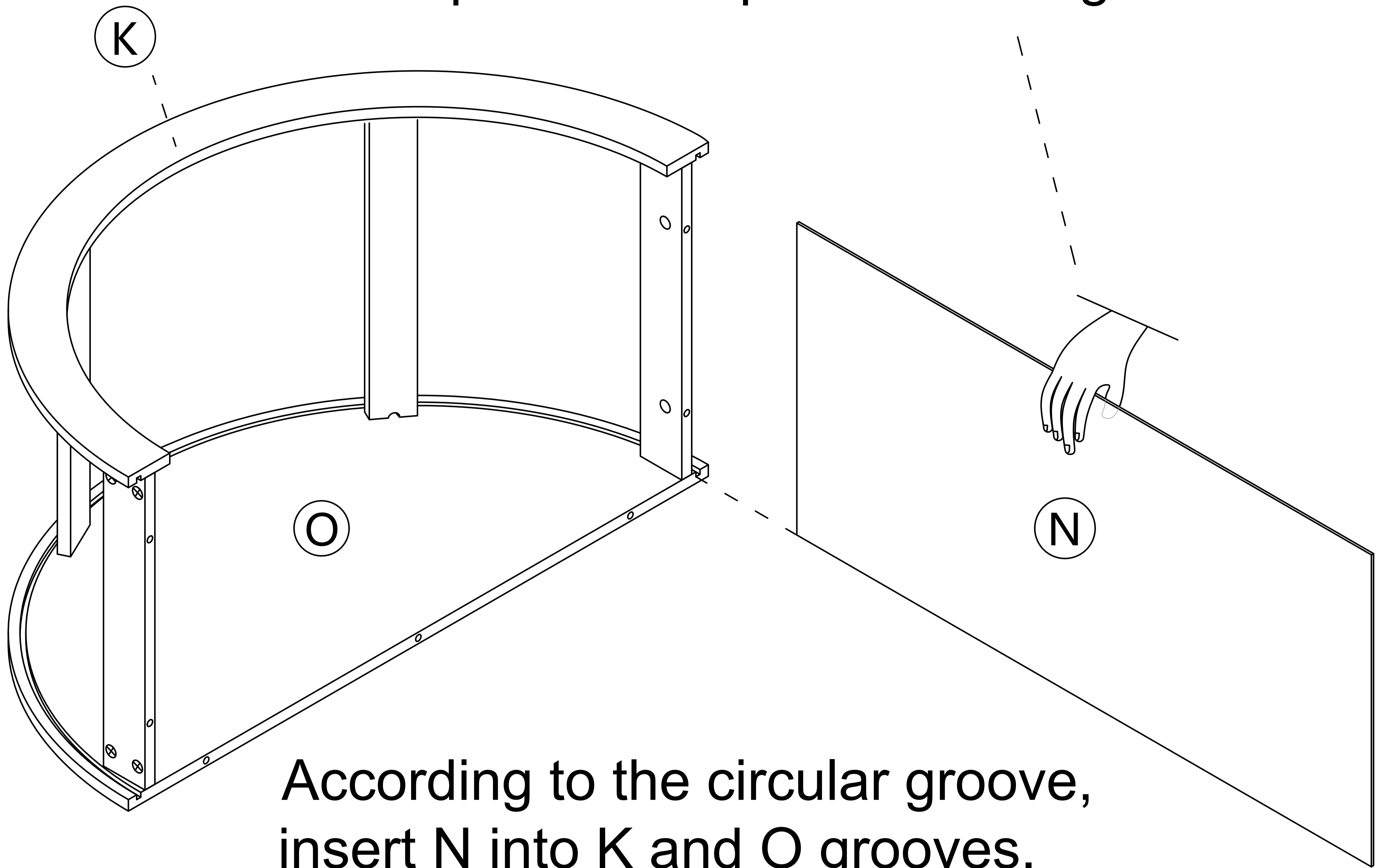


Step 25

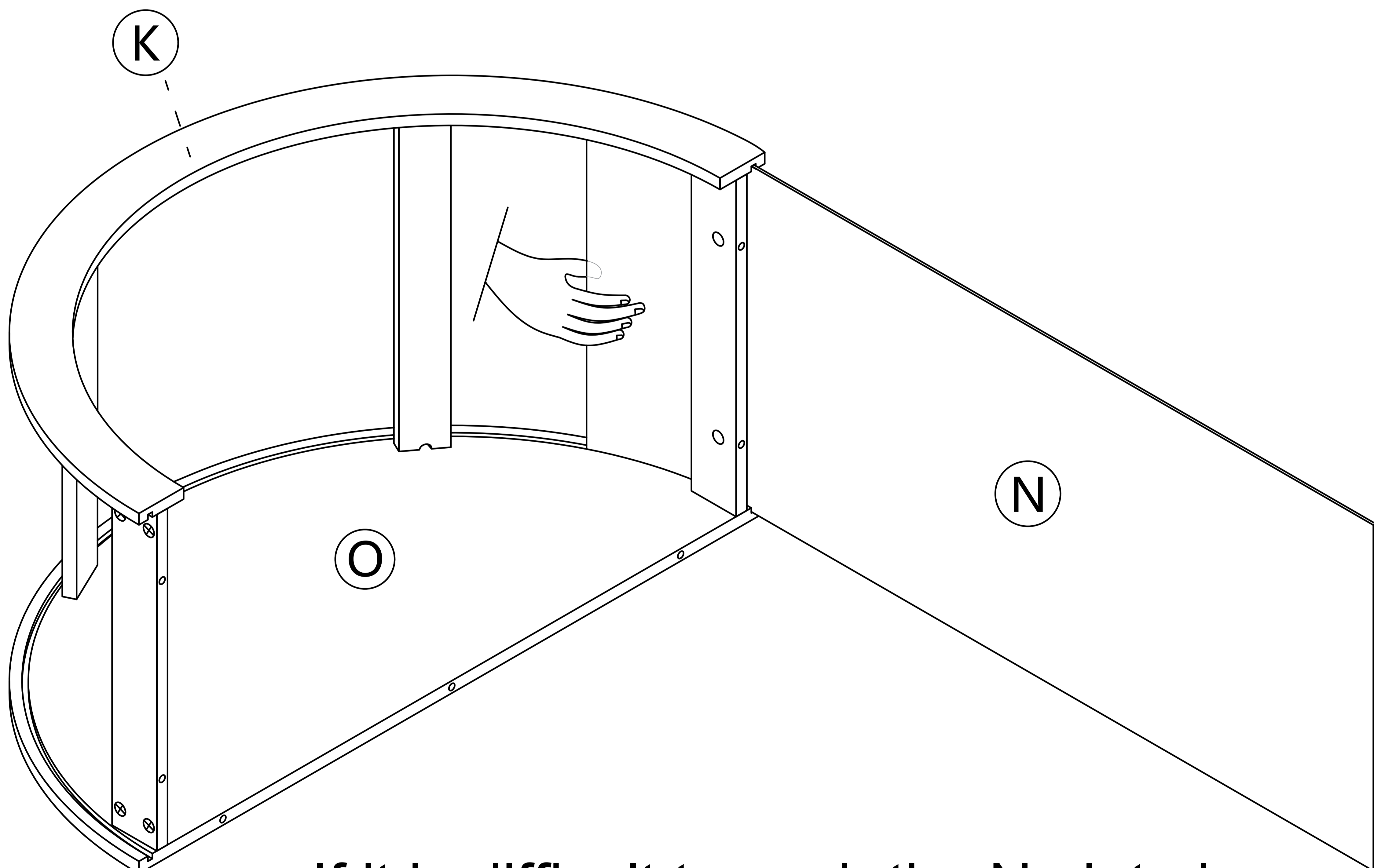


Step 26

Note: When installing the N plate, push the middle of the N plate by hand to push the N plate into the groove.

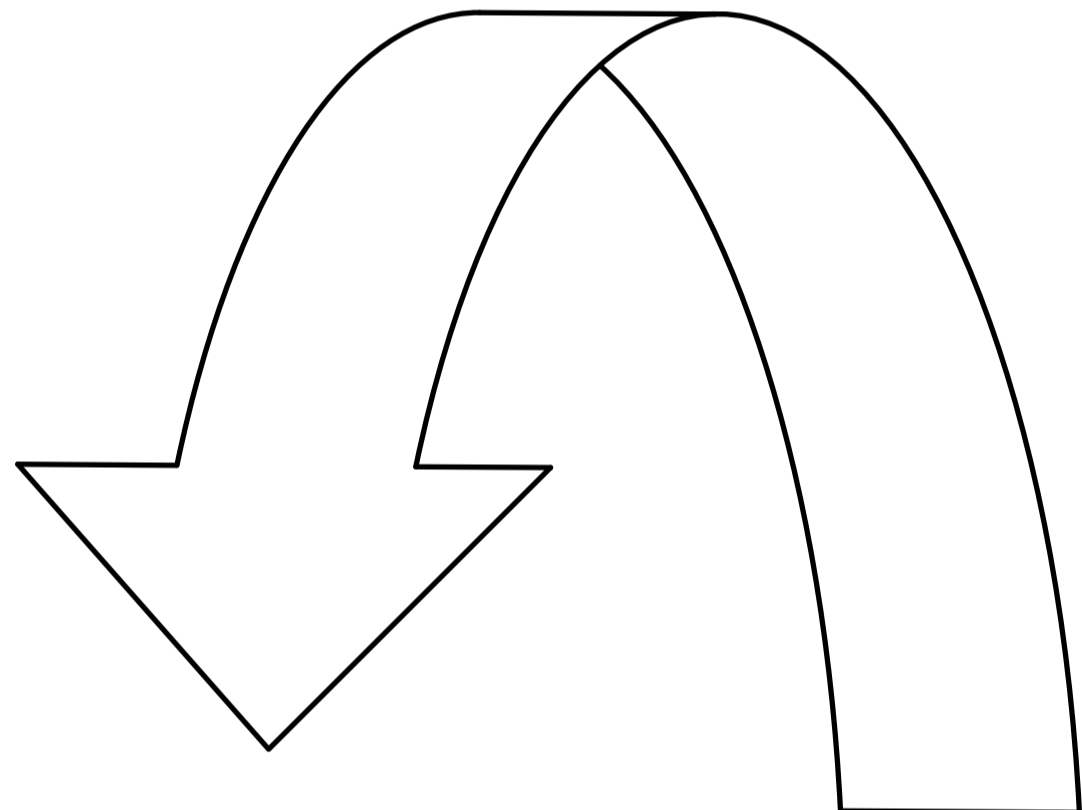
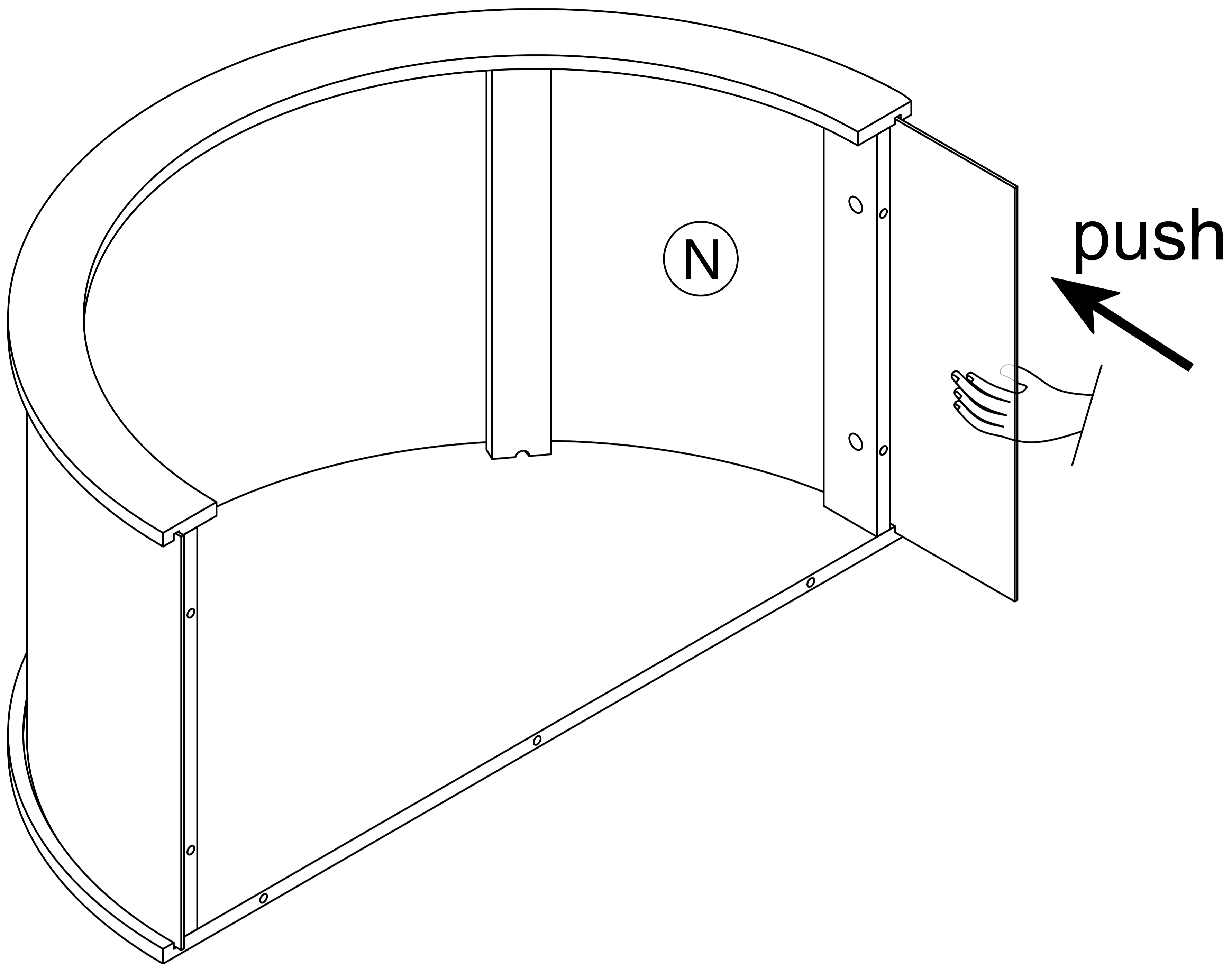


According to the circular groove, insert N into K and O grooves.

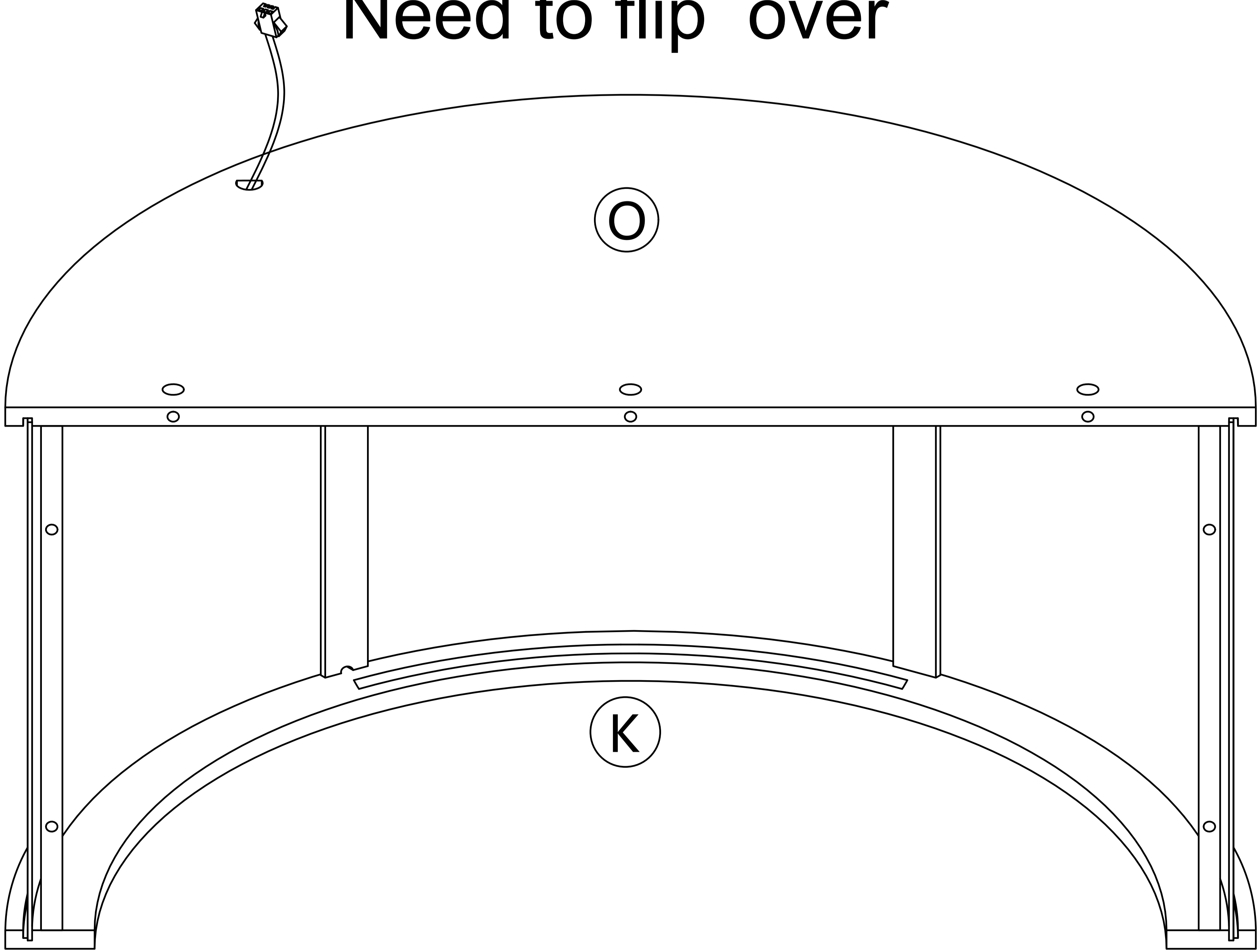


If it is difficult to push the N plate in, you can use the pull method.

Step 27

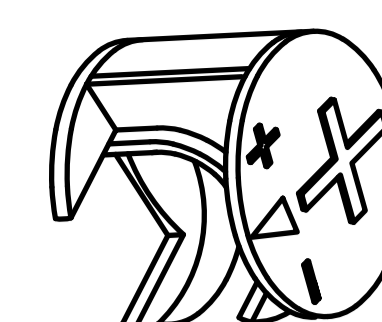


Need to flip over

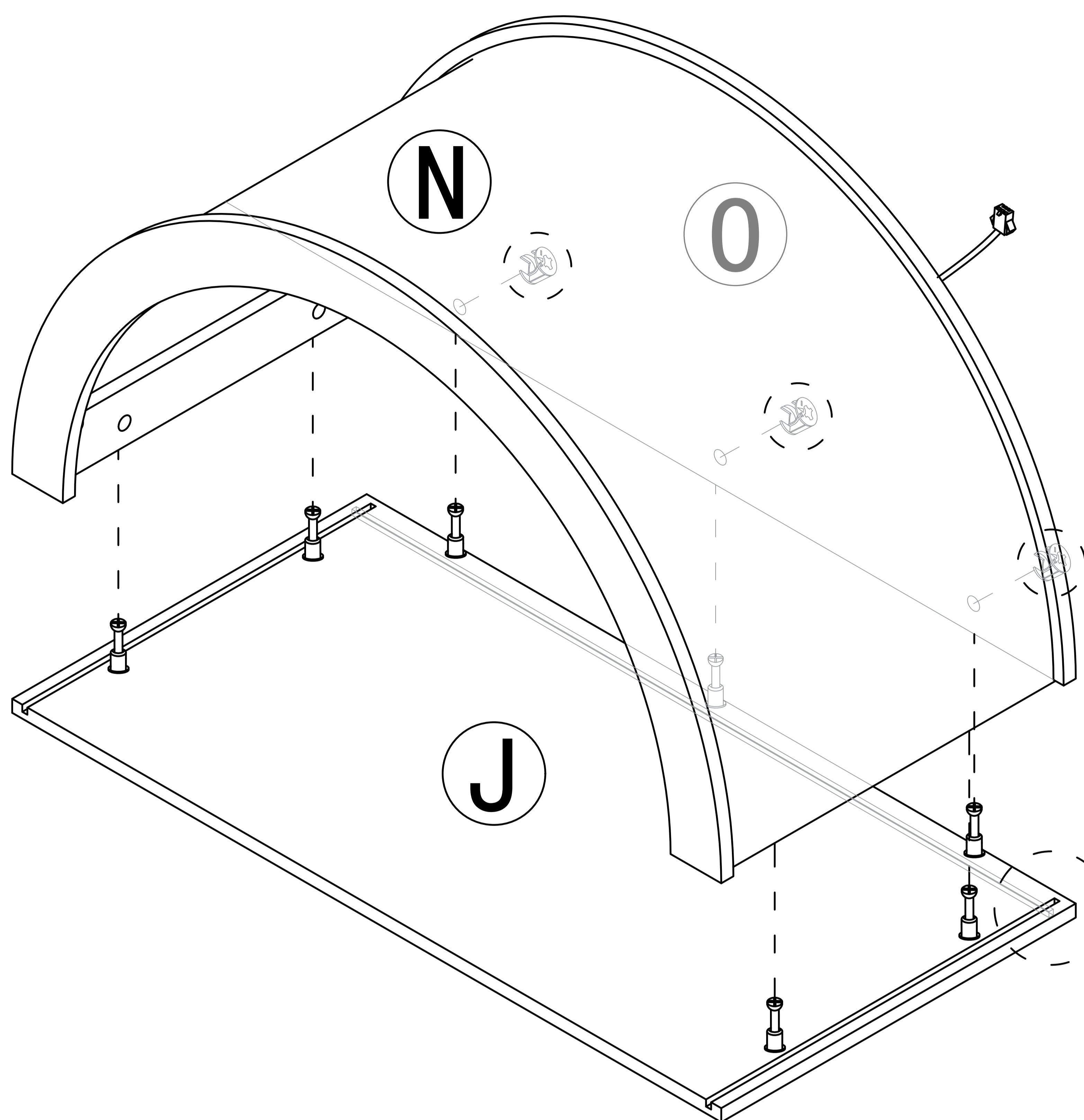


Step 28

2



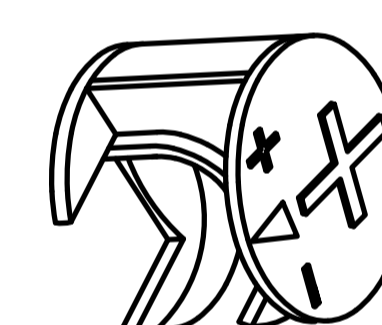
x3



When installing the J plate, pay attention to the front and back, and there is a groove under the O plate.

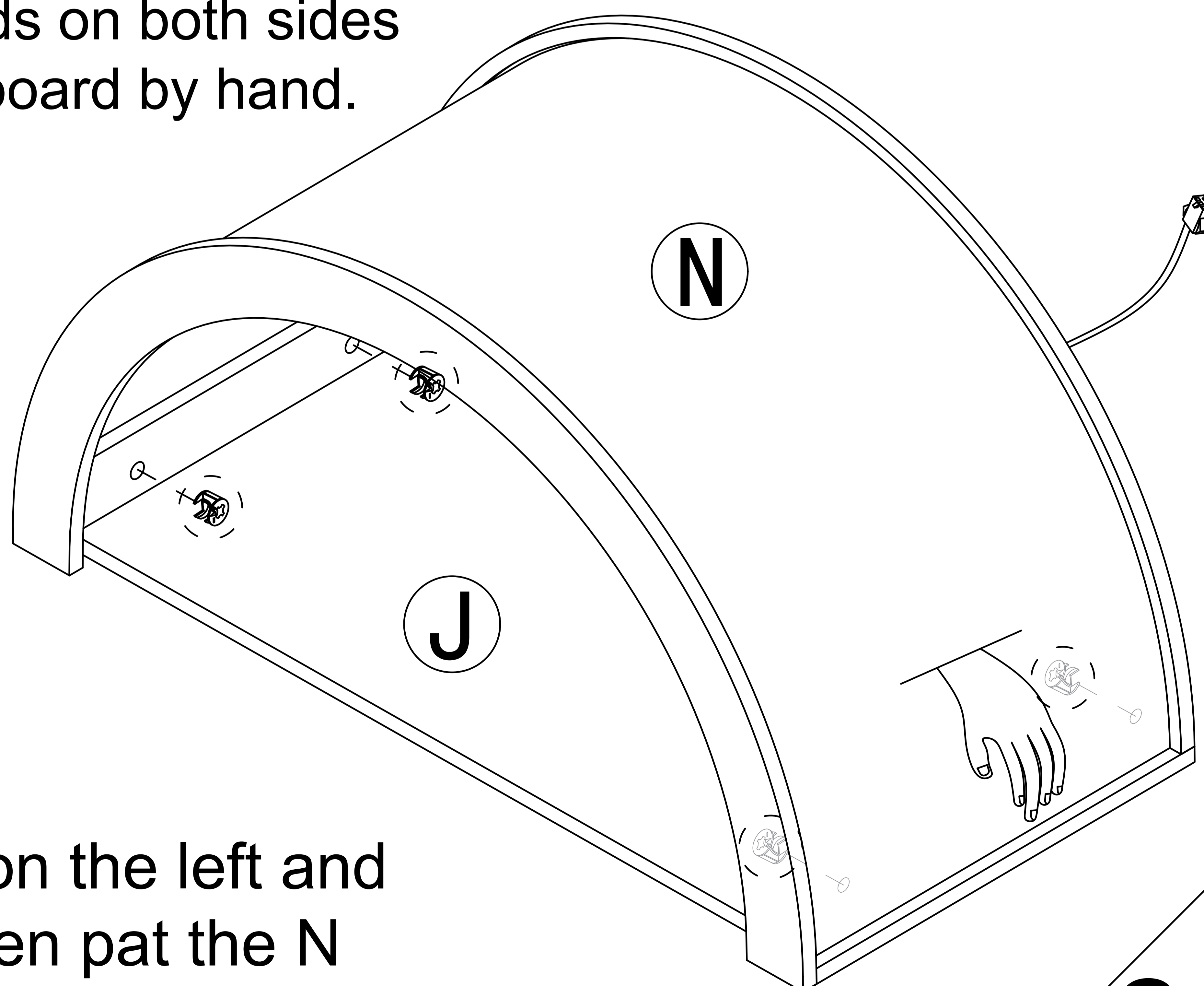
Step 29

2



x4

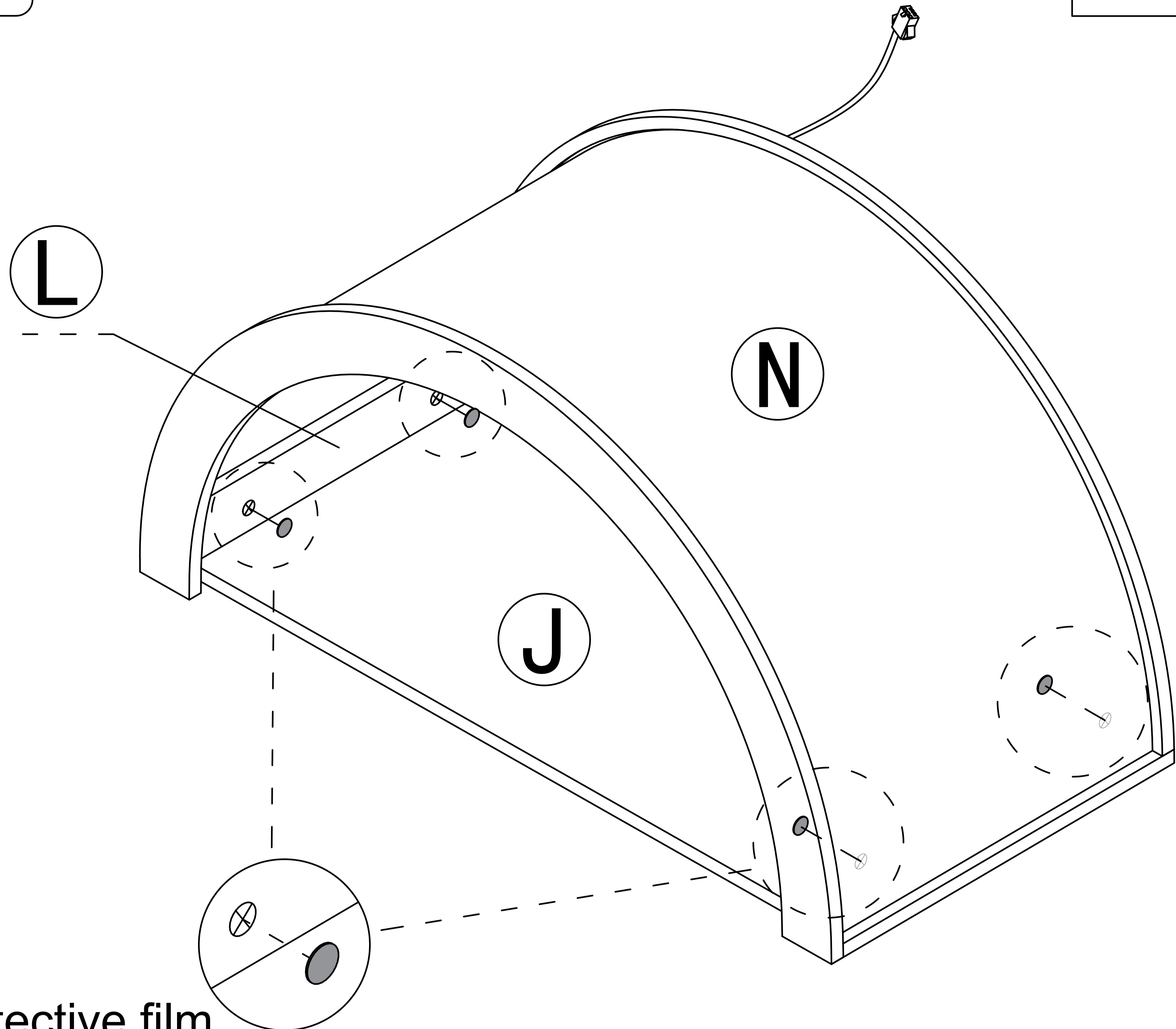
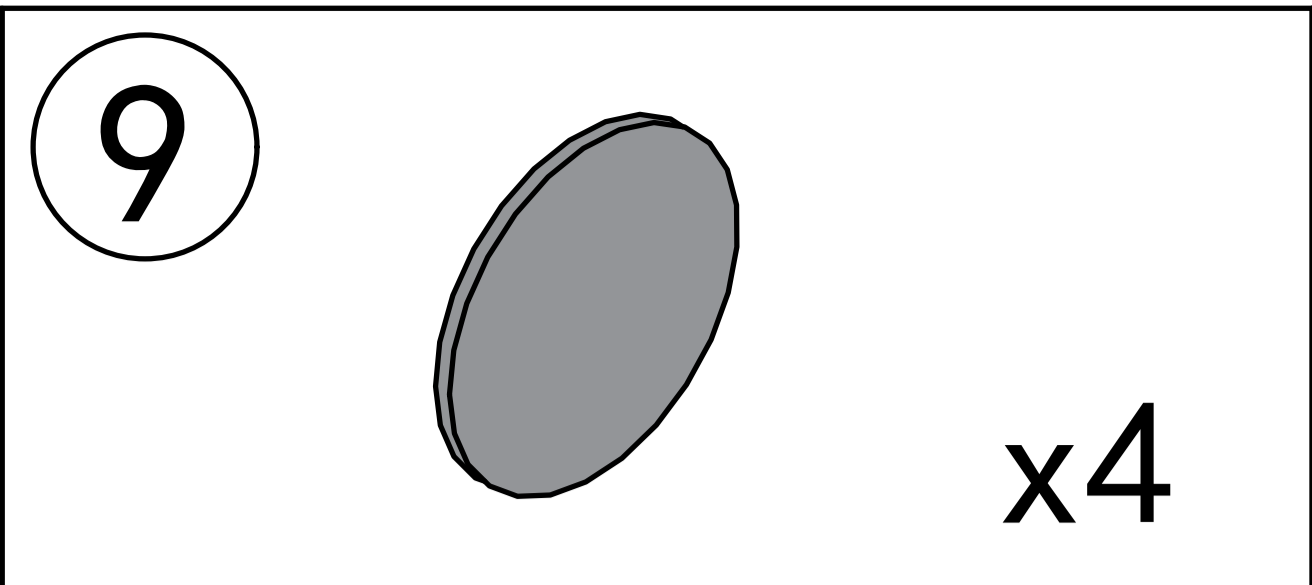
Note: After installing the N board, you need to pat the backboards on both sides into the grooves of the J board by hand.



Note: pat the N plate on the left and then screw the nut, then pat the N plate on the right and screw the nut.

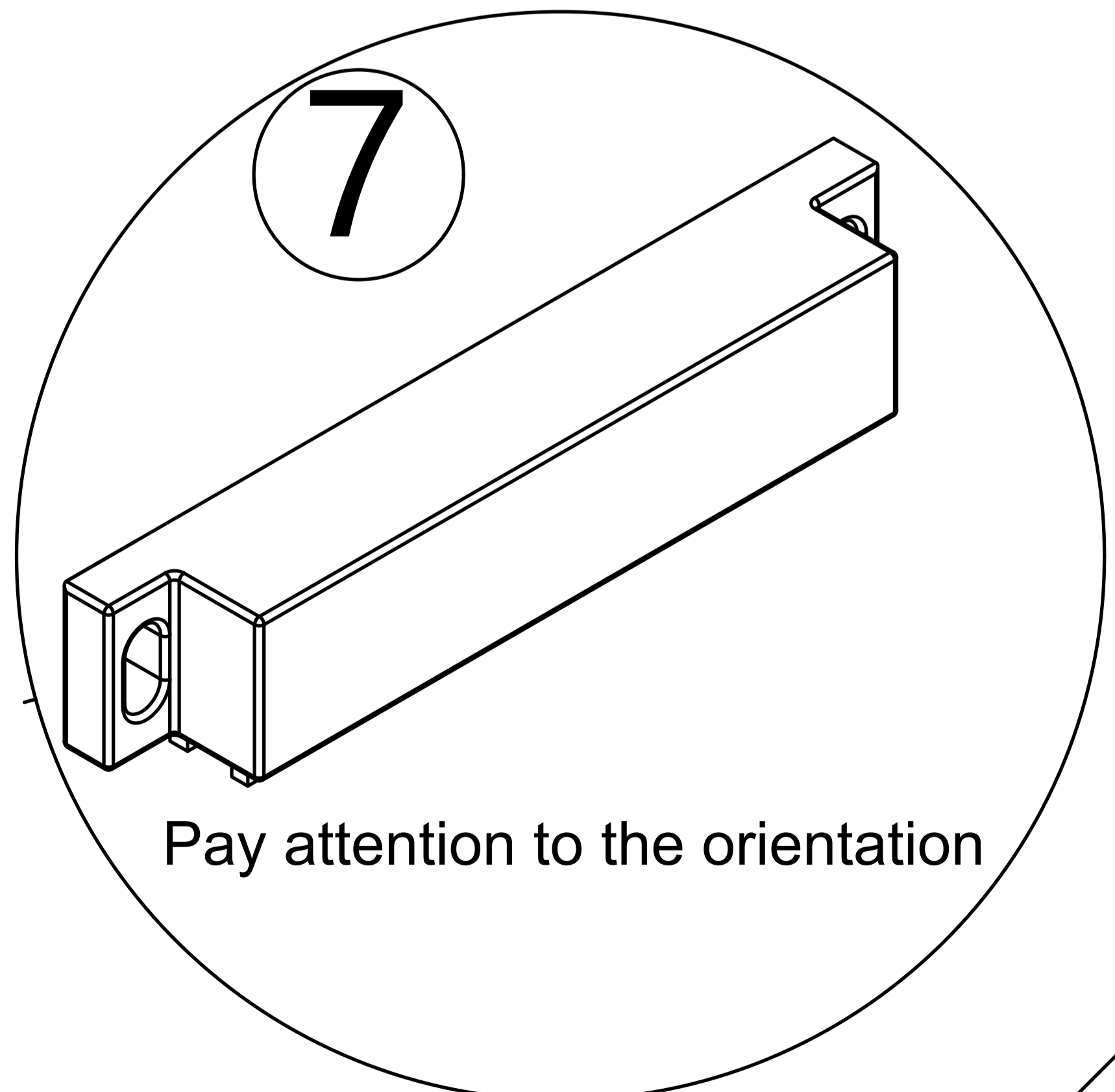
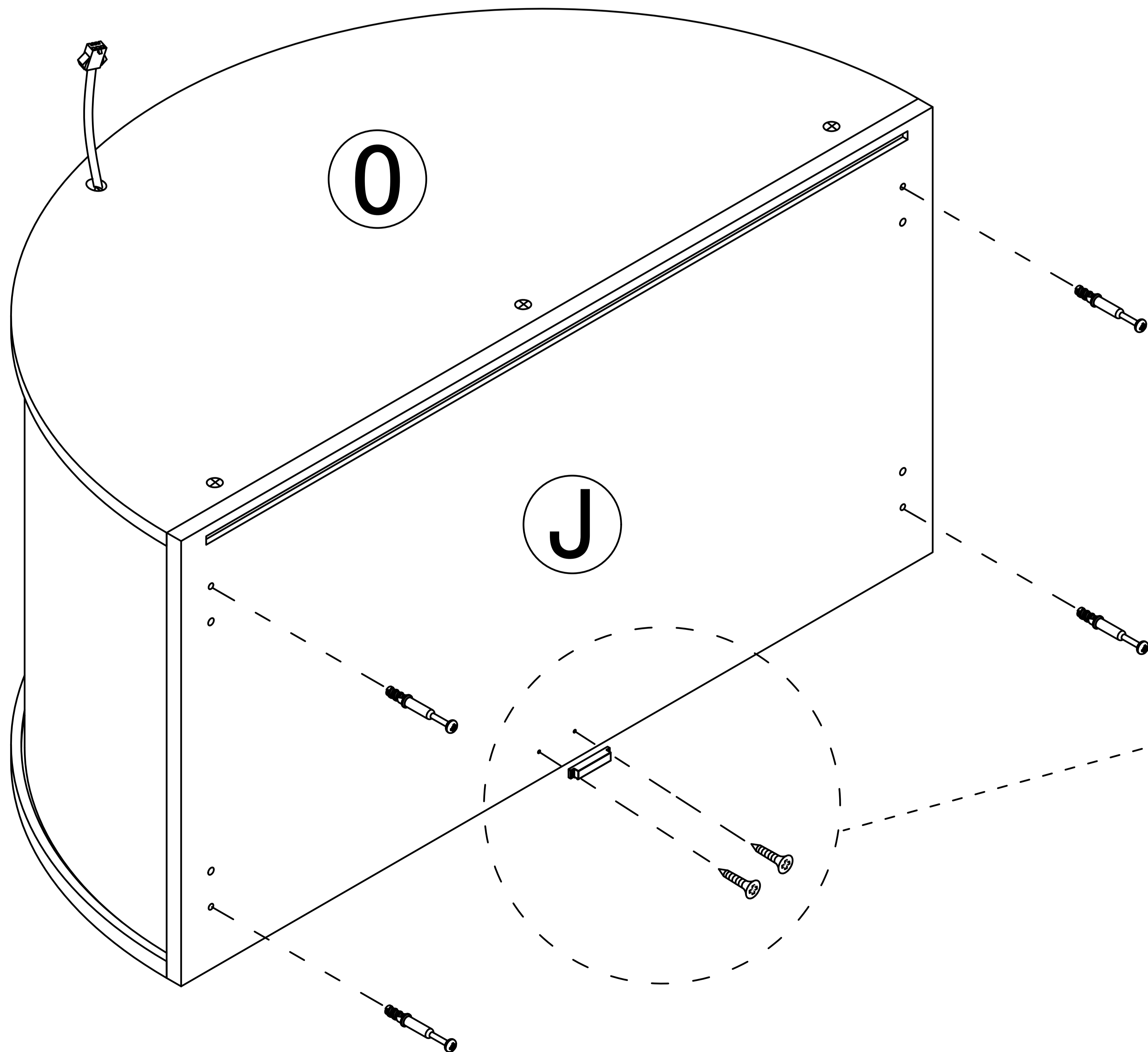
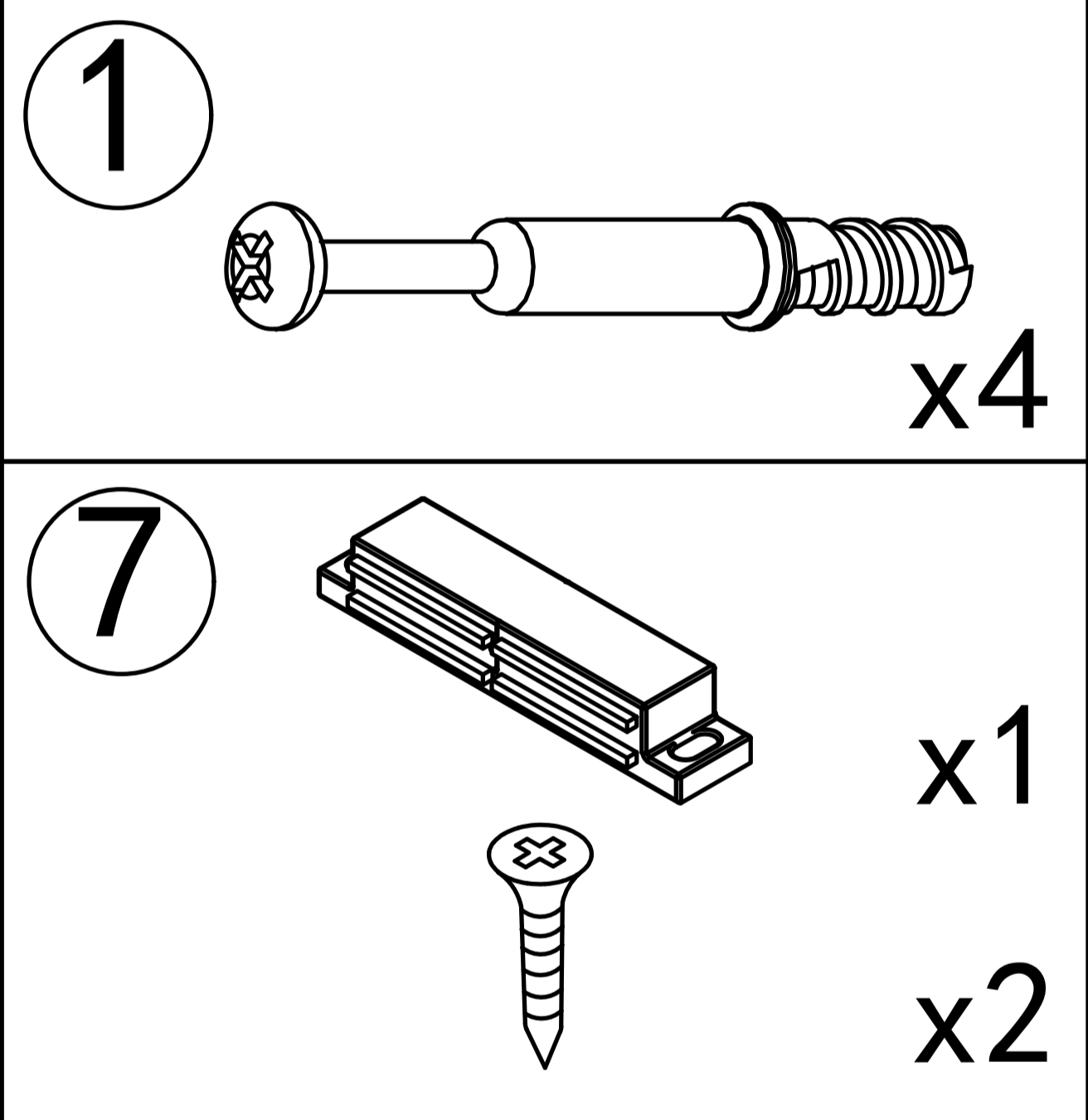
21

Step 30



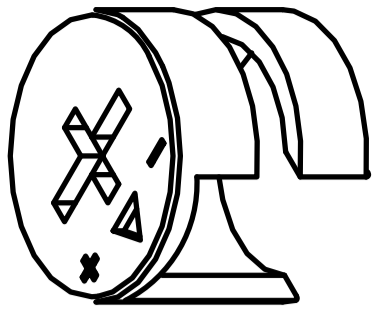
Tear off the protective film before installation

Step 31

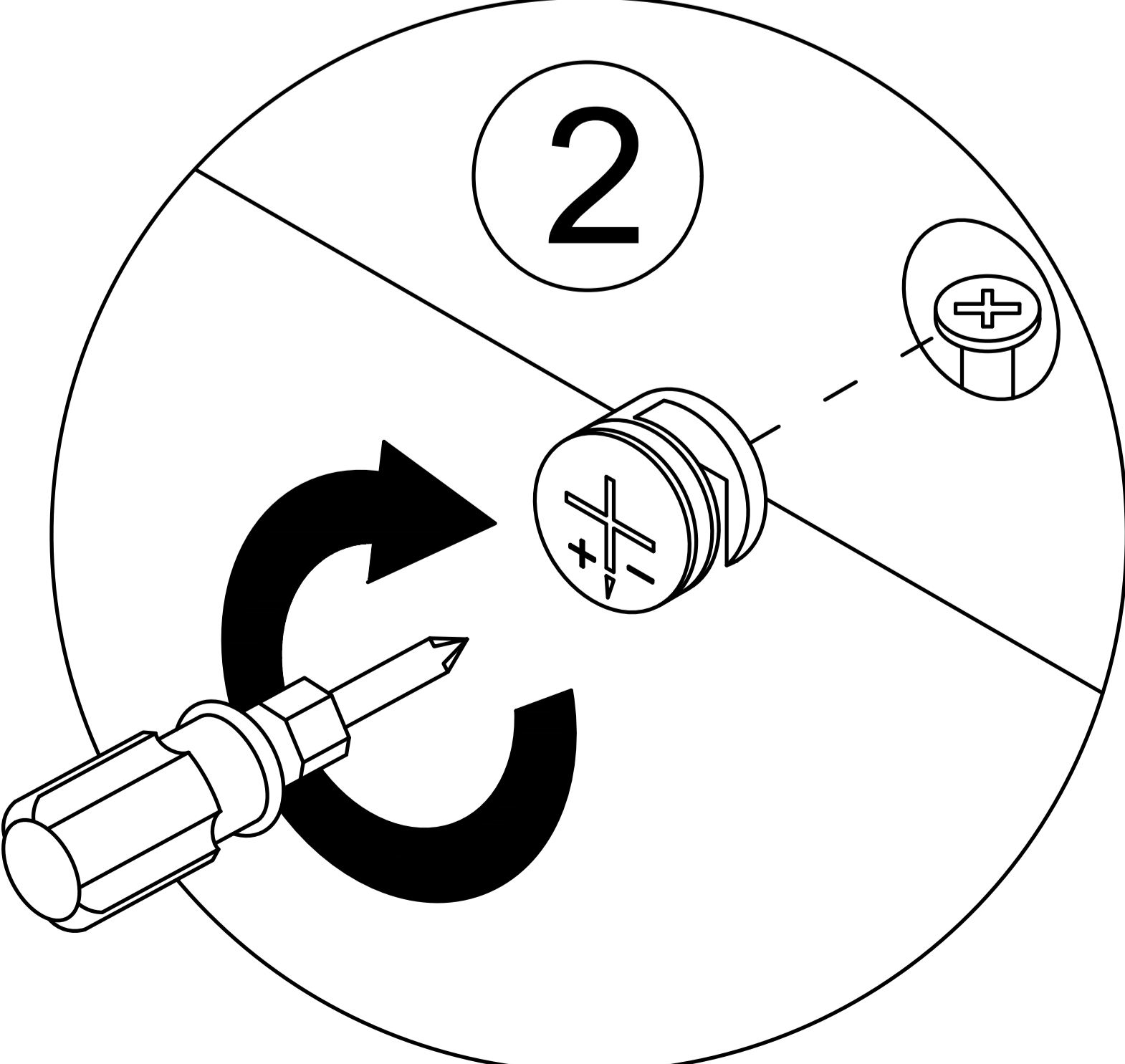
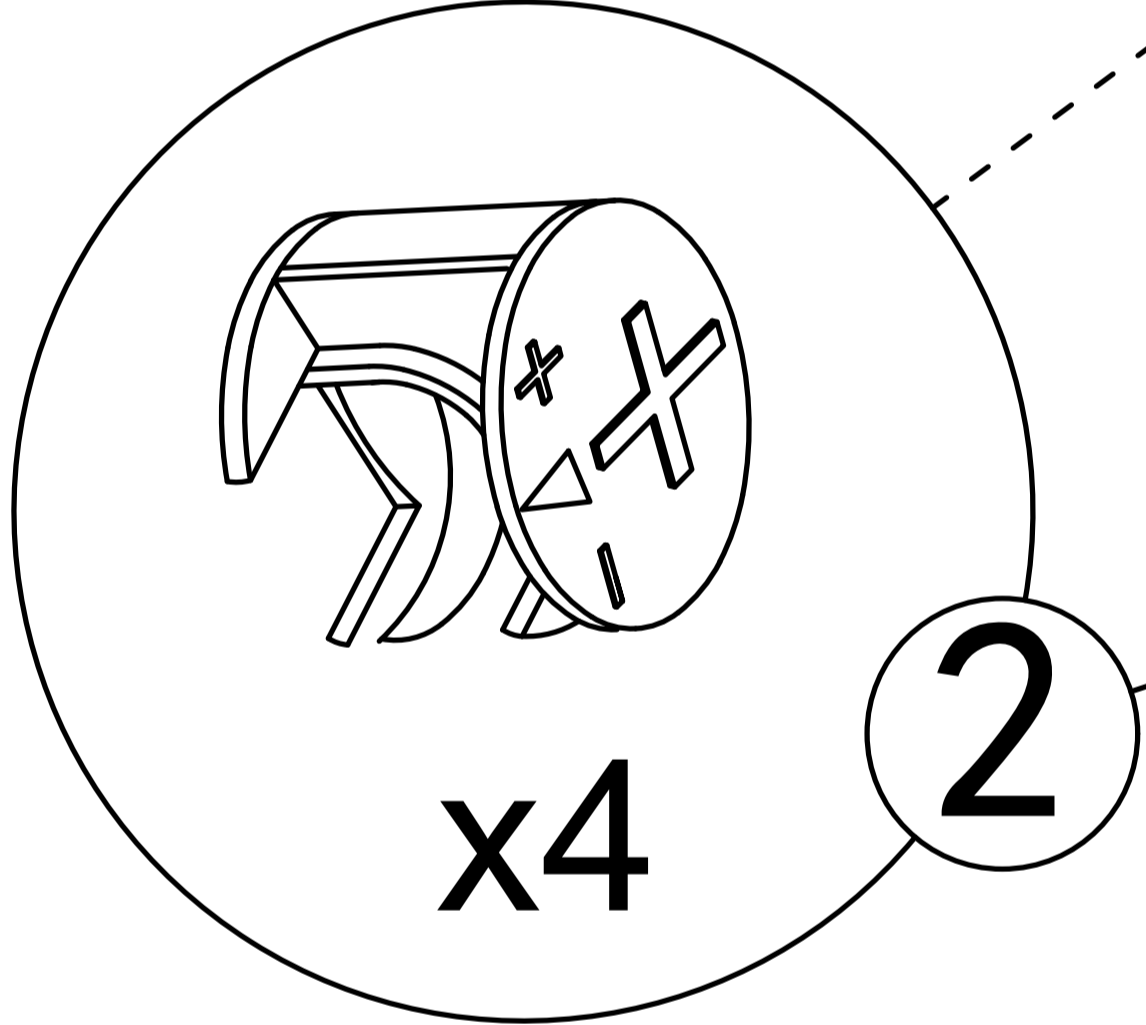
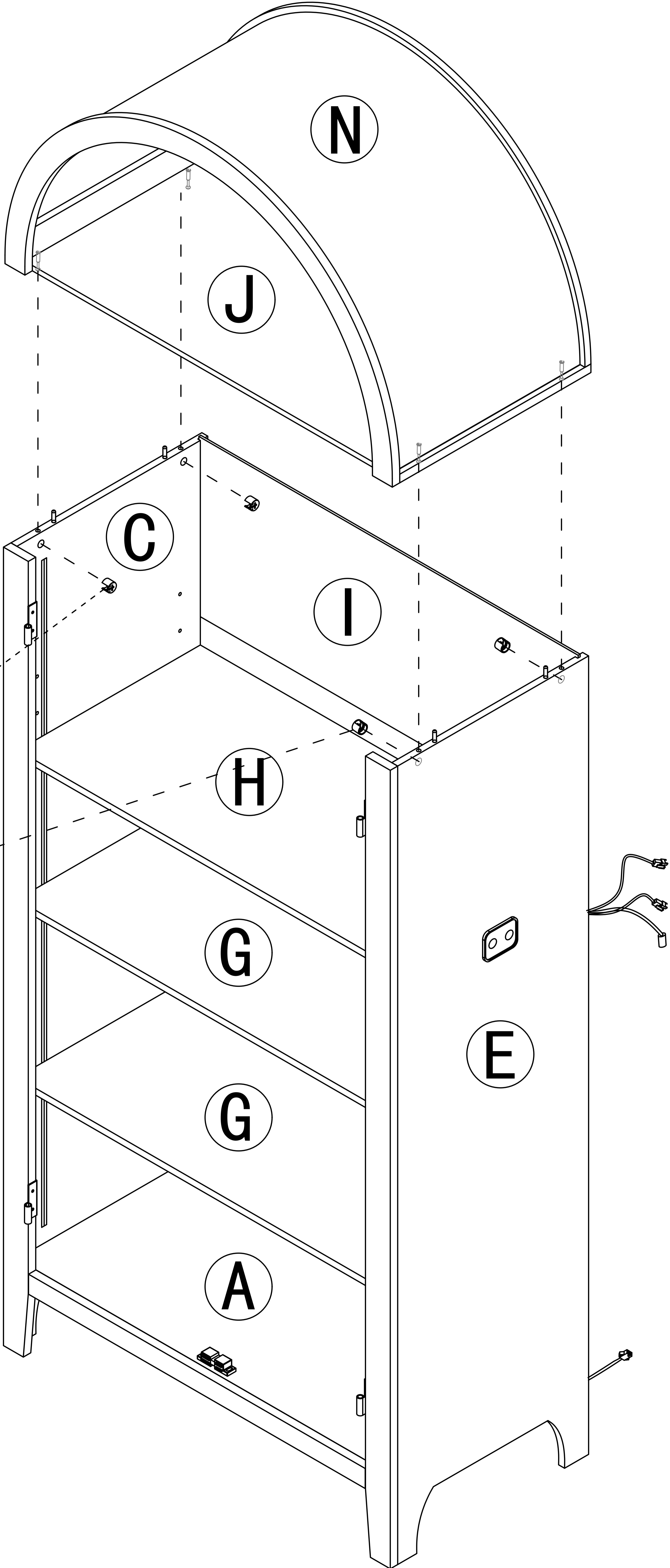


Step 32

2



x4

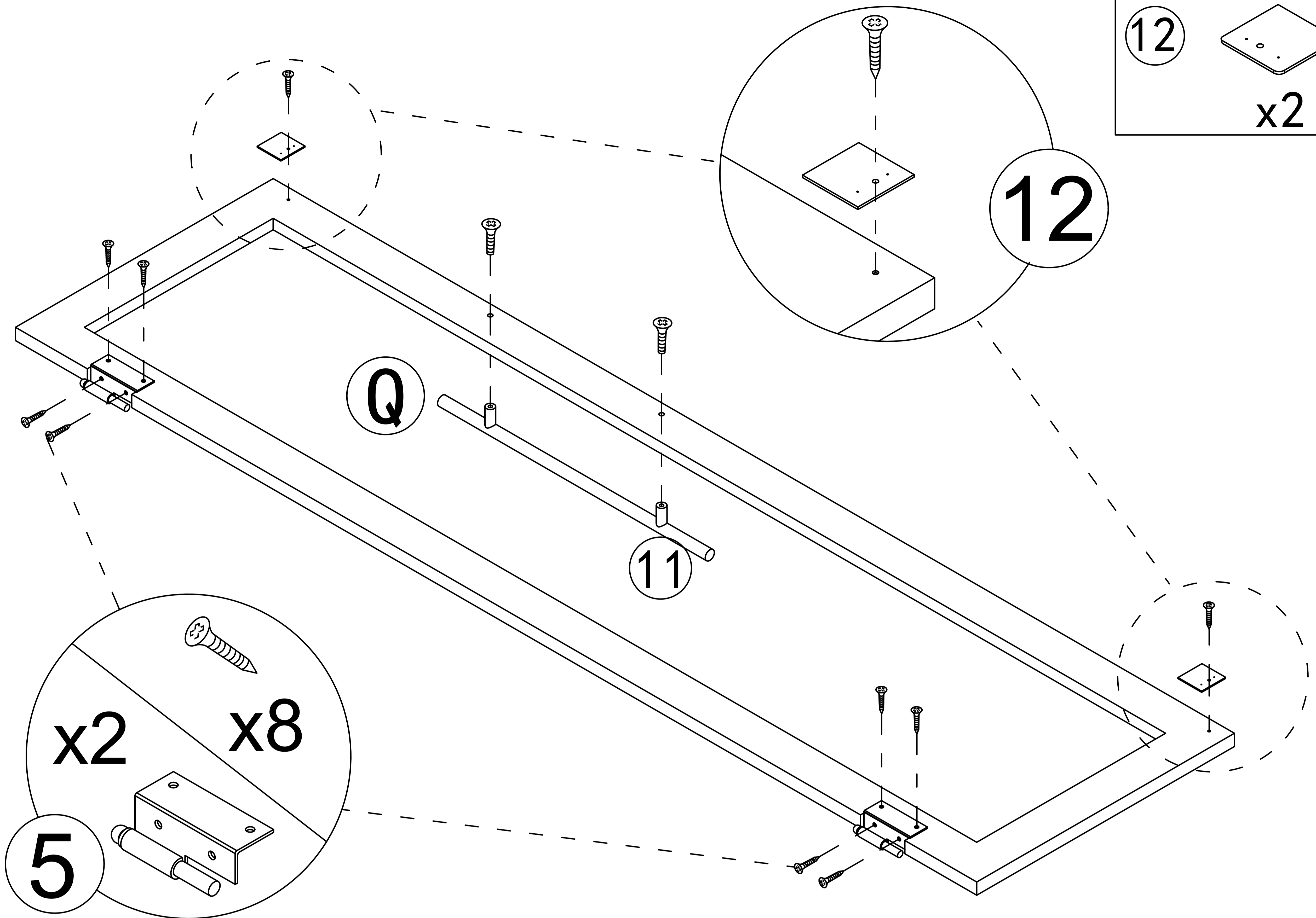


Step 33

- 11 x1
- x2

- 5 x2
- x8

- 12 x2
- x2

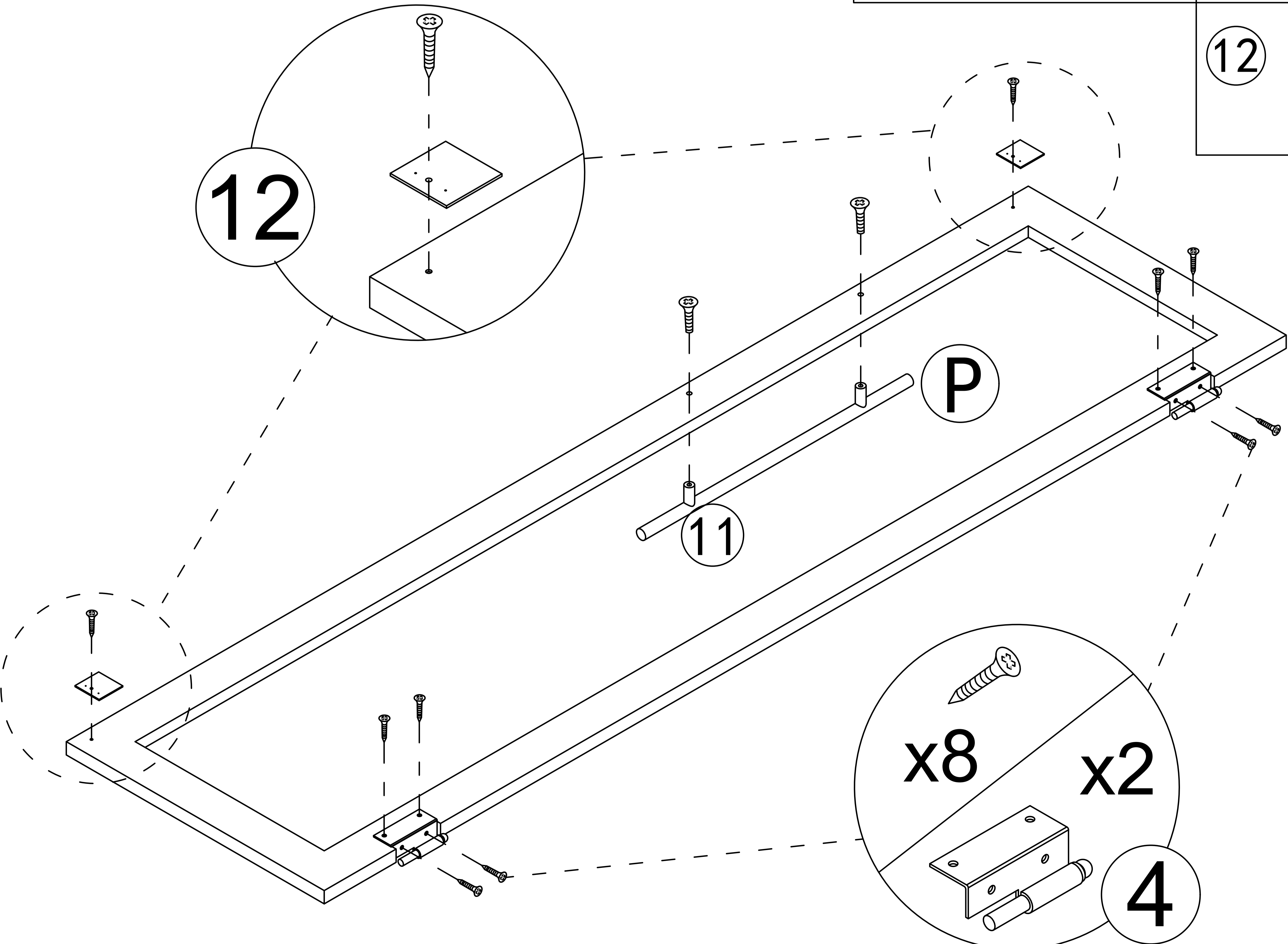


Step 34

- 11 x1
- x2

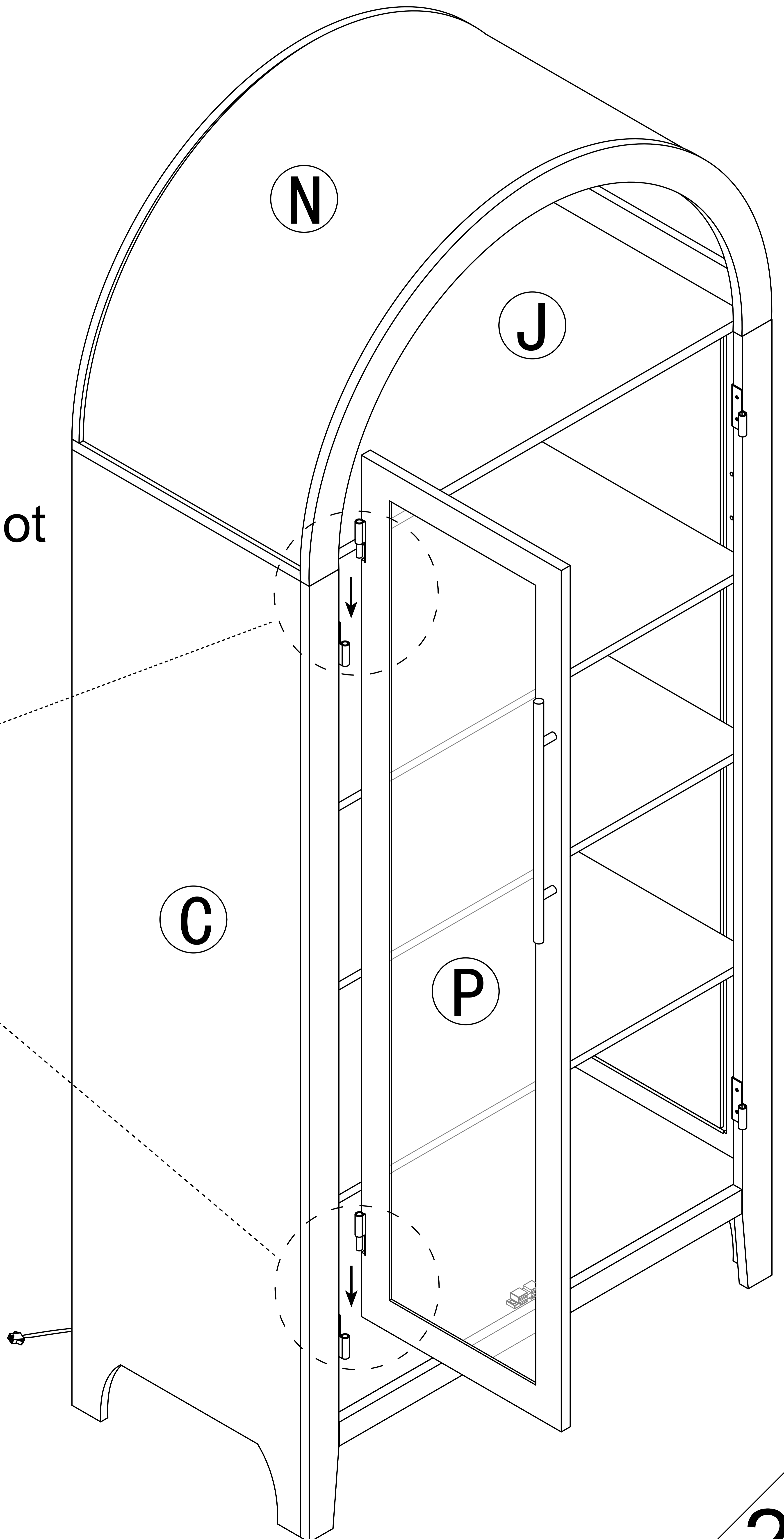
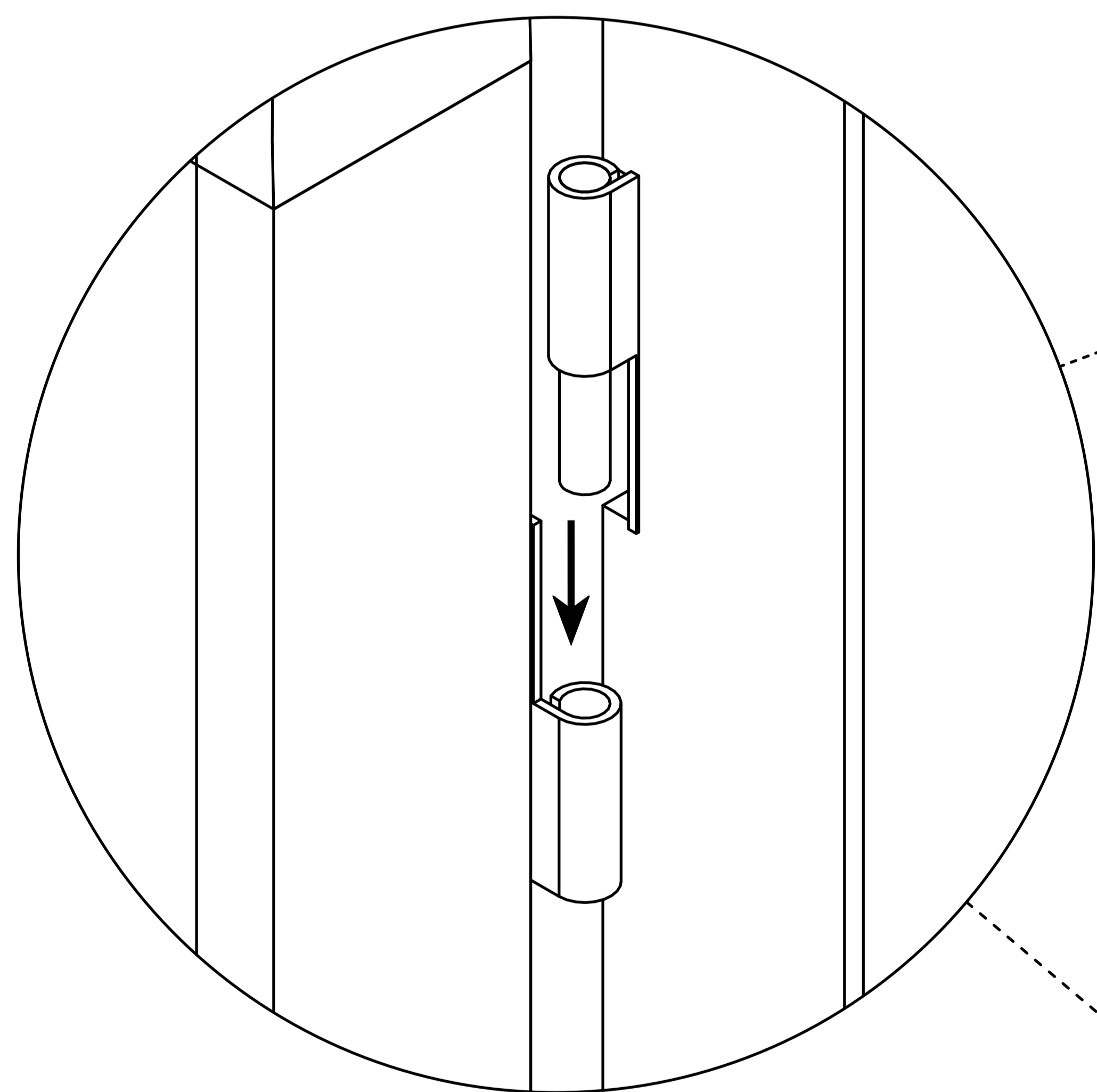
- 4 x2
- x8

- 12 x2
- x2



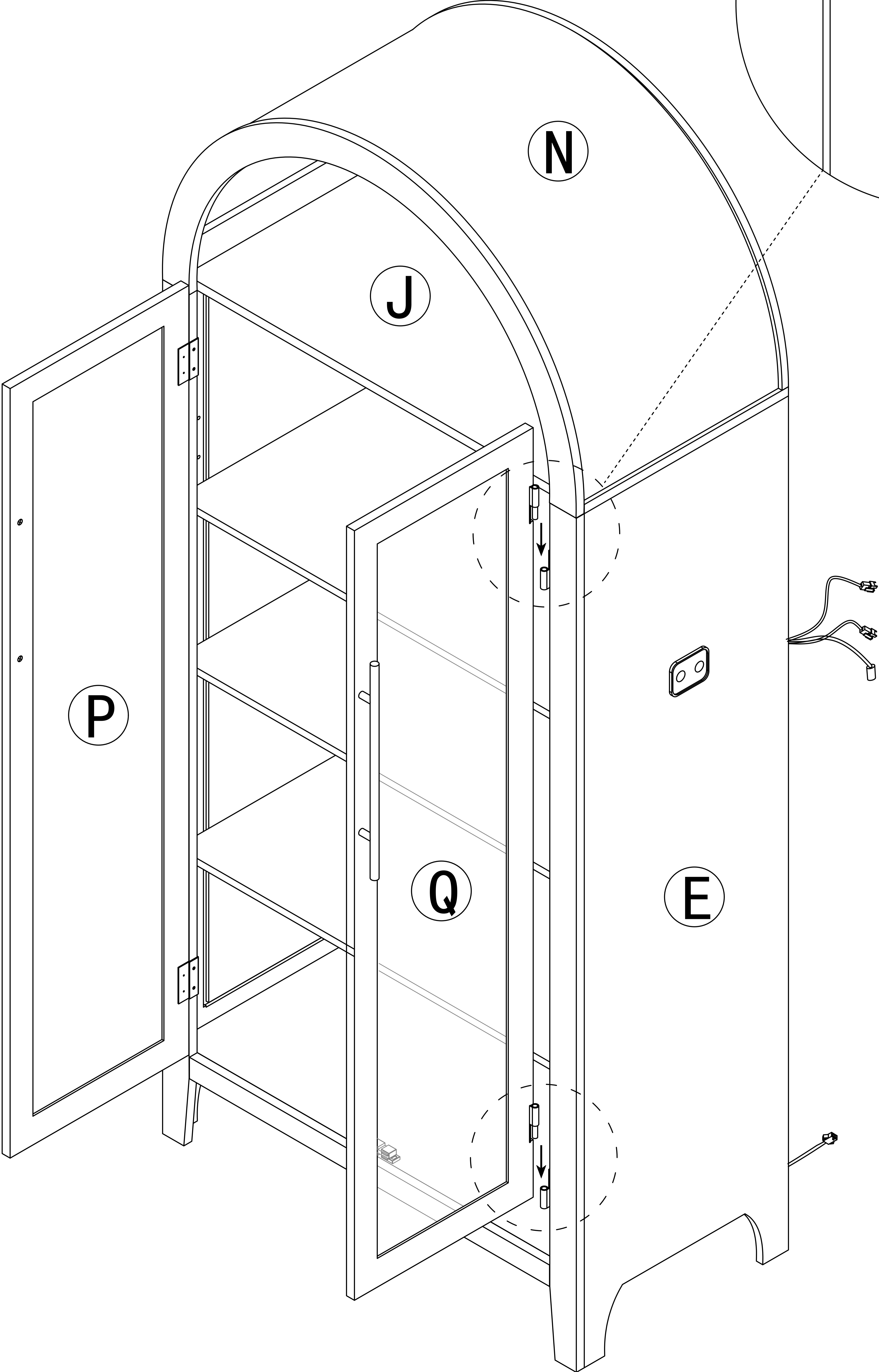
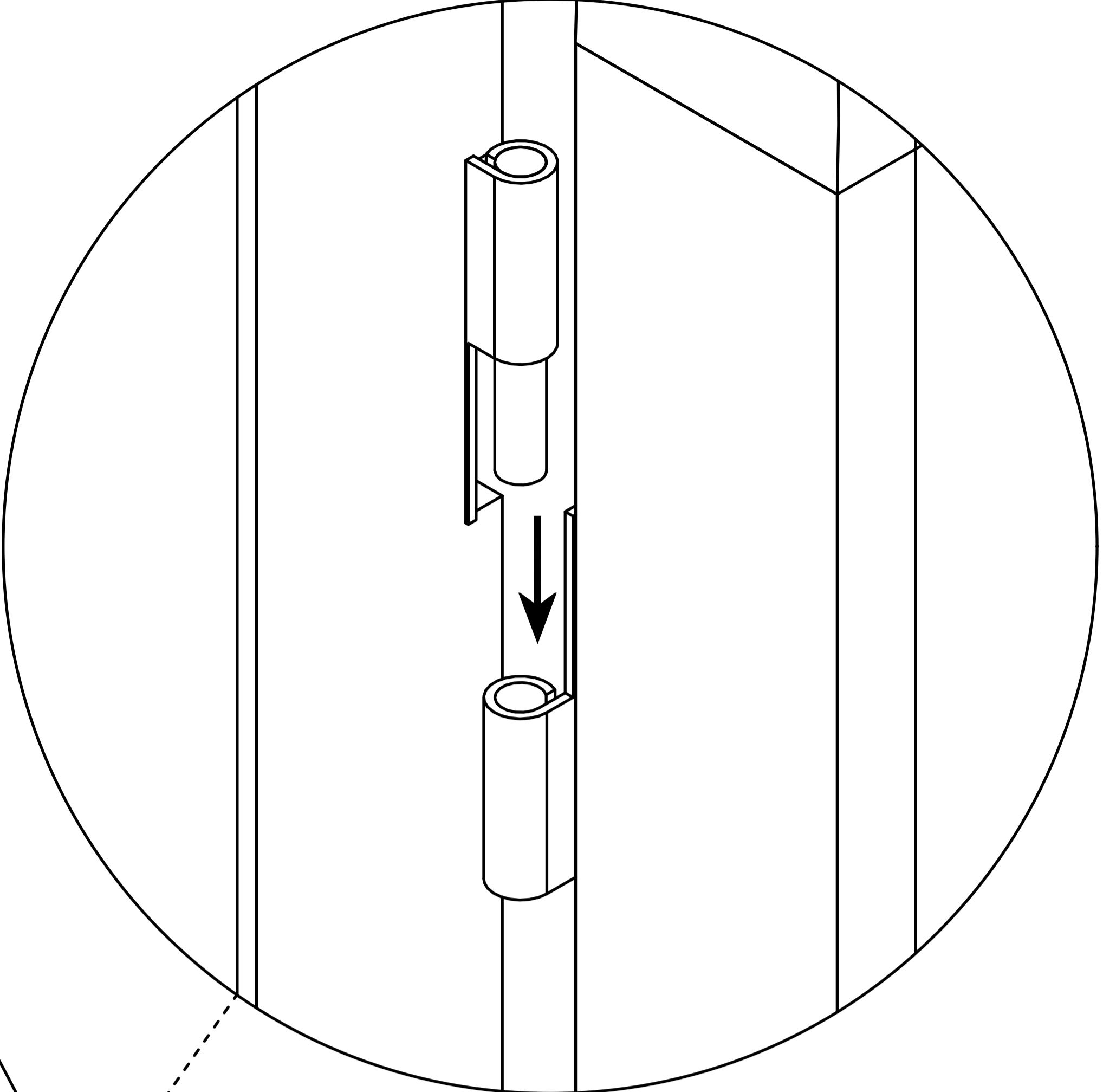
Step 35

Place the door panel into the hinge card slot

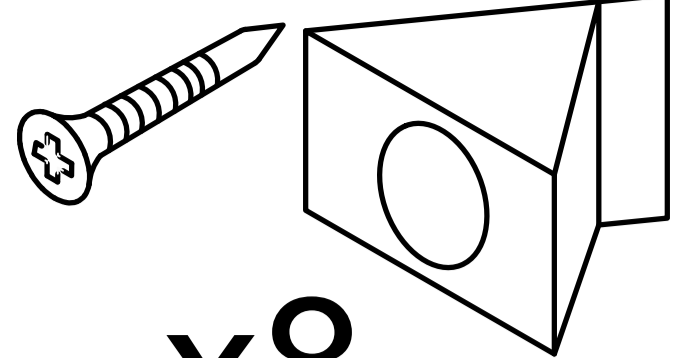


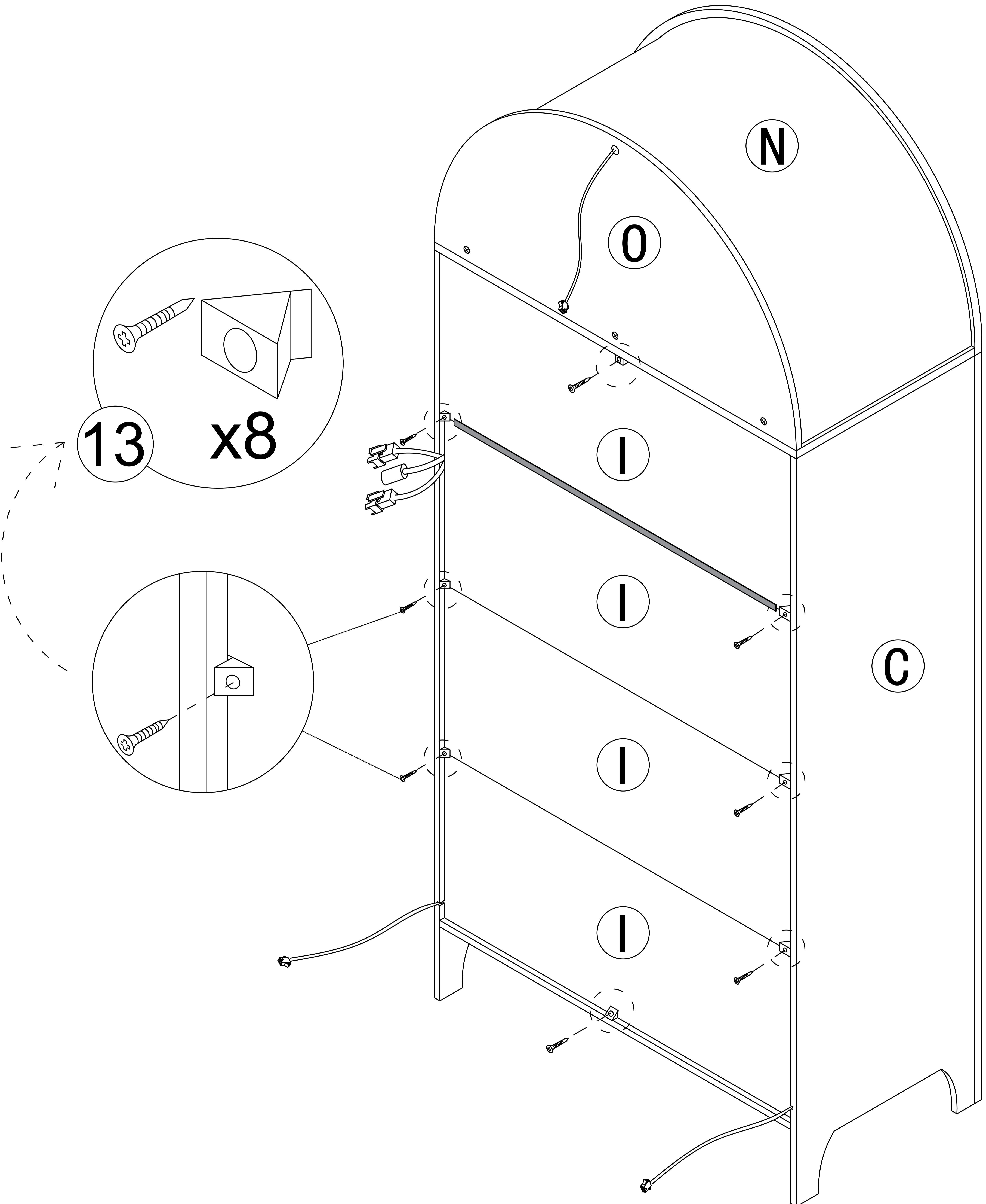
Step 36

Place the door panel into the hinge card slot

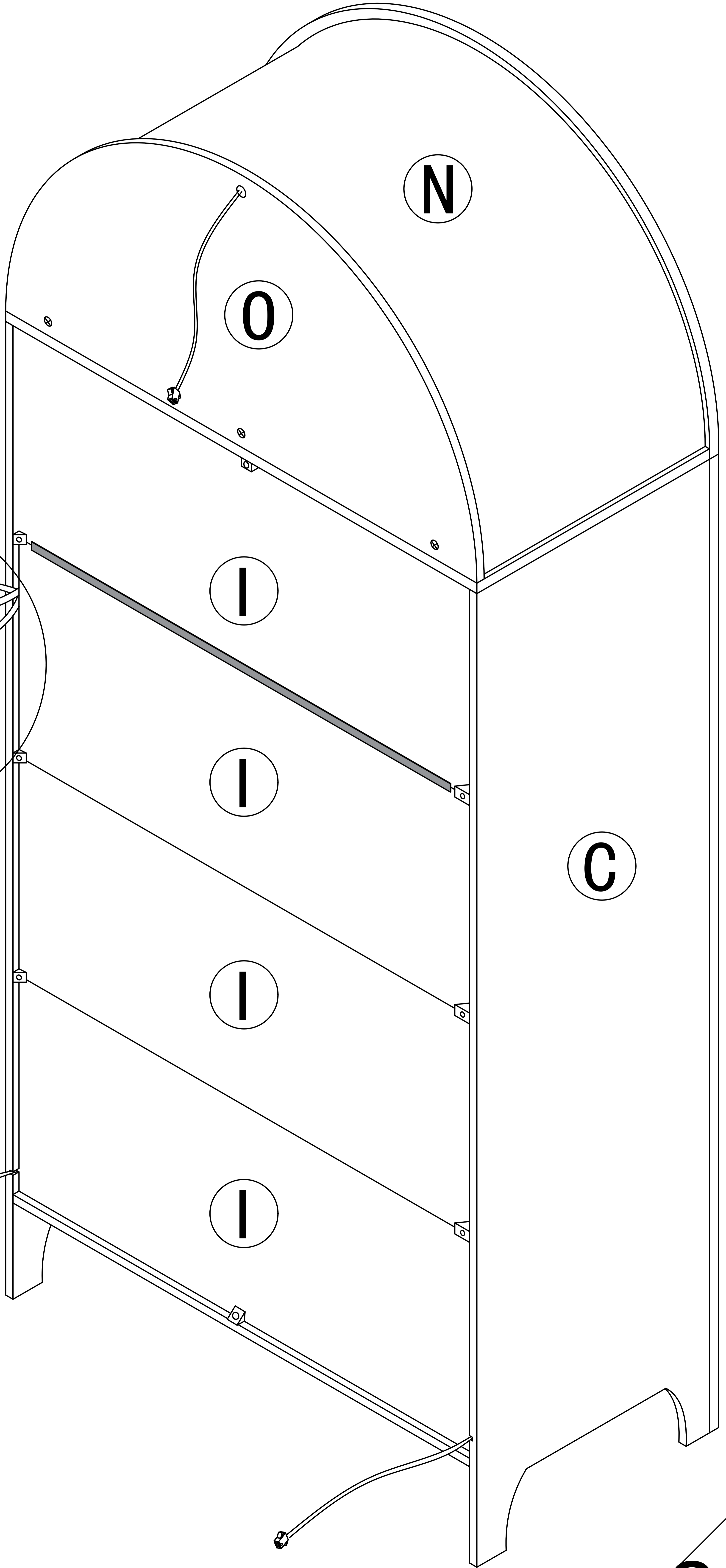
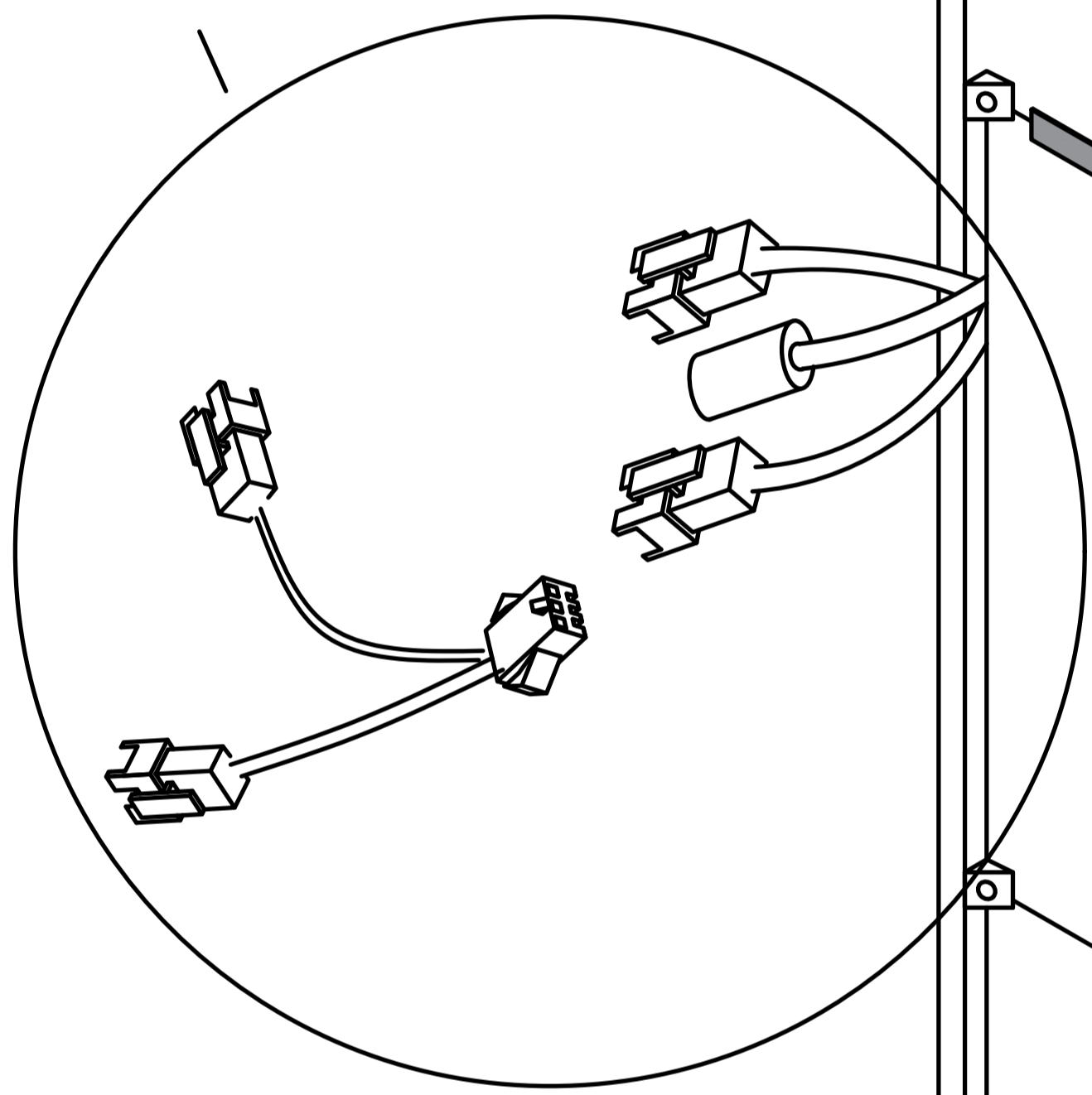
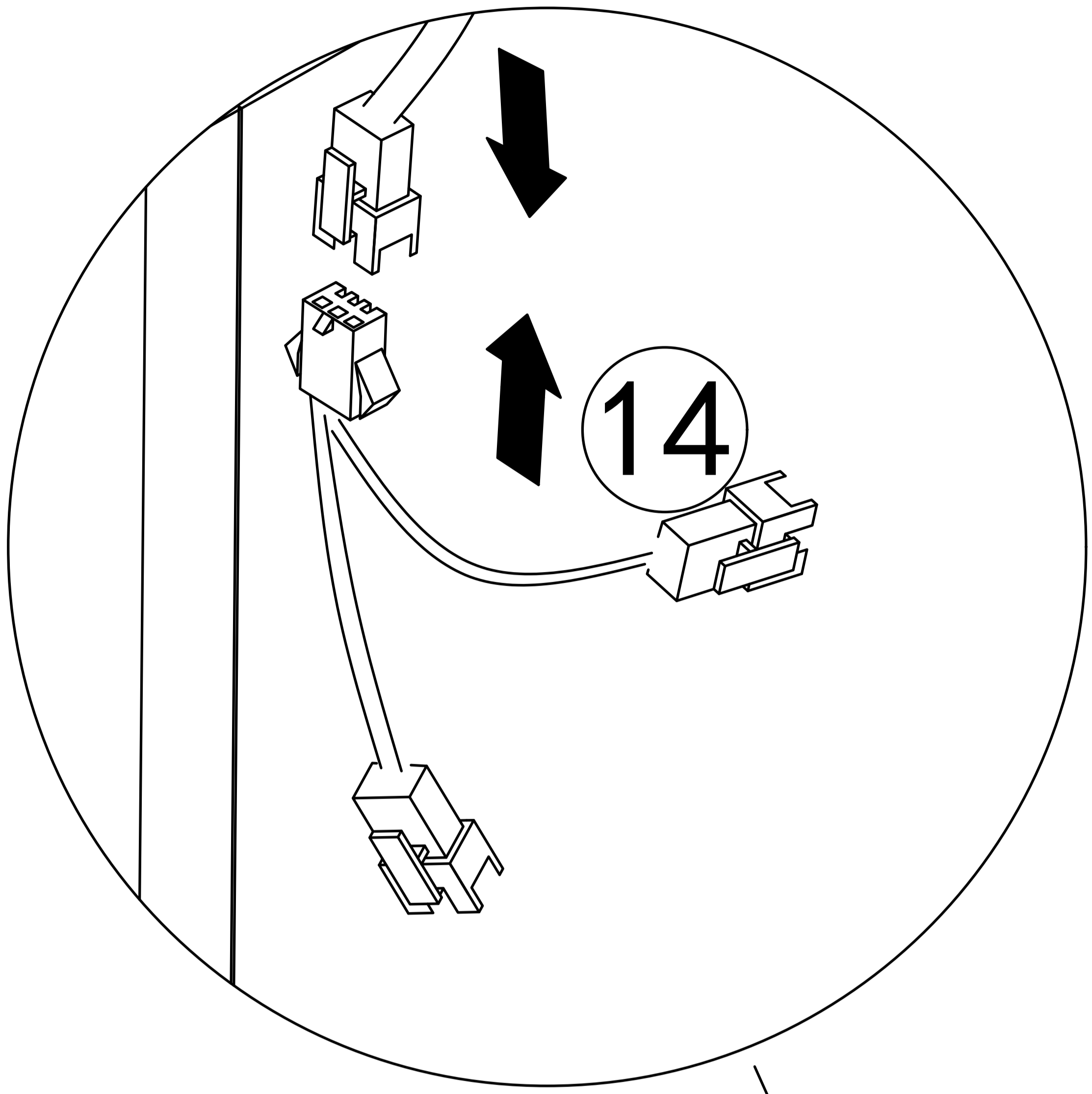
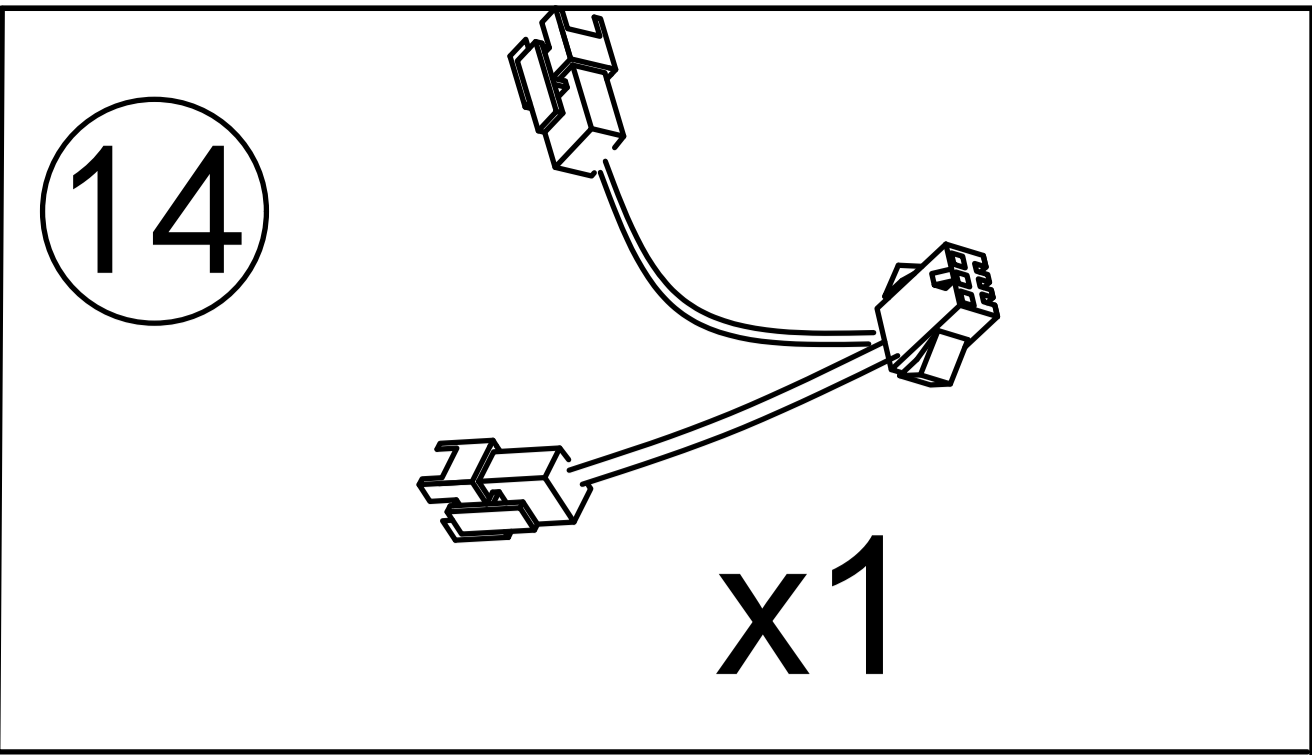


Step 37

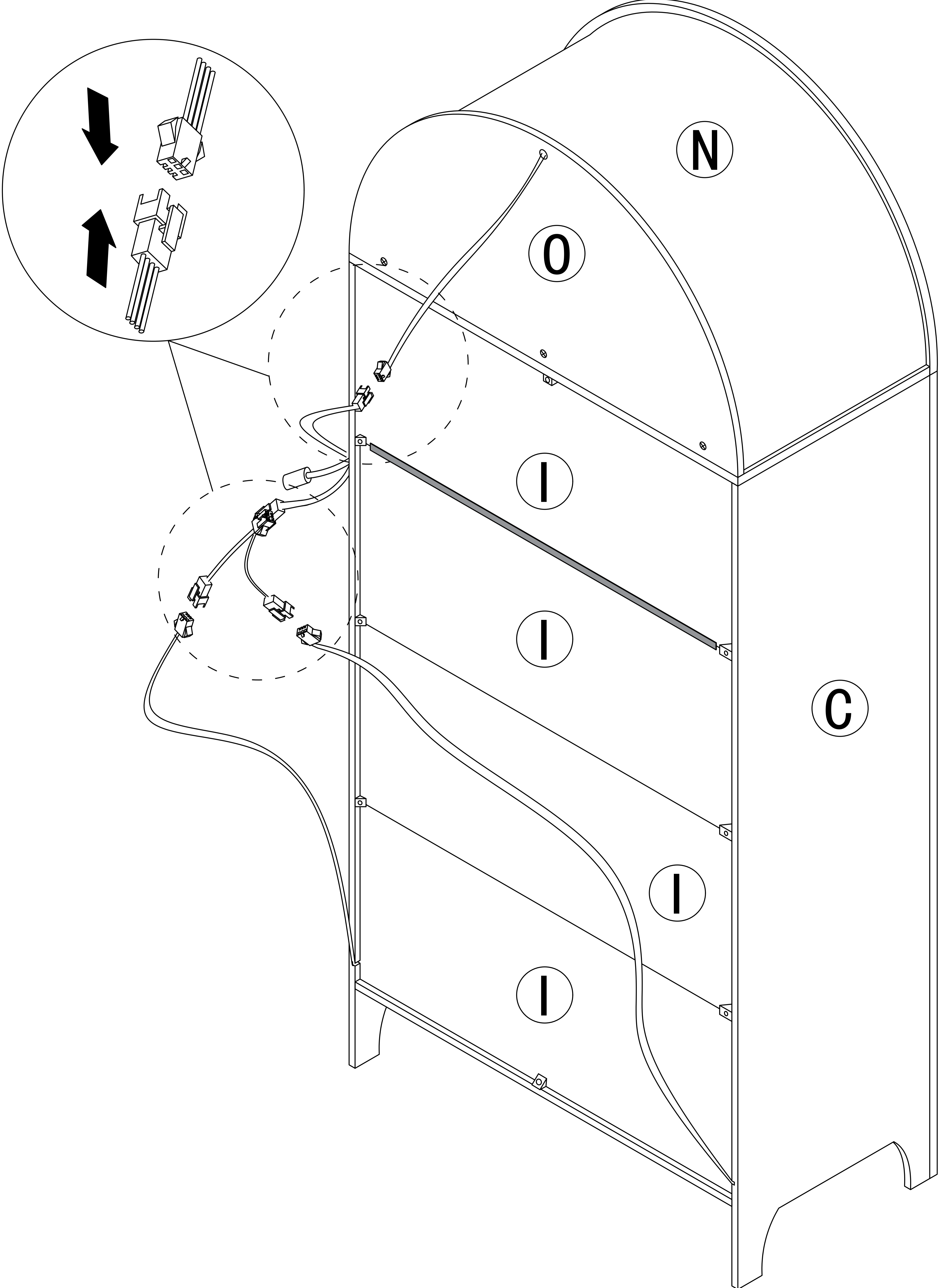
13  x8



Step 38

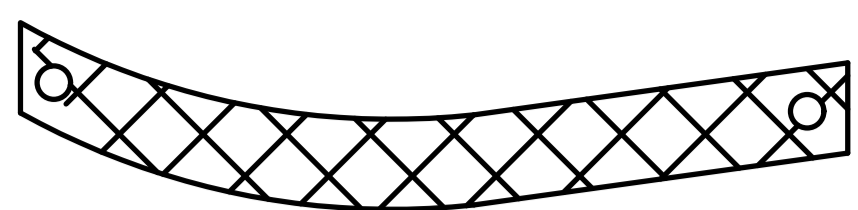


Step 39

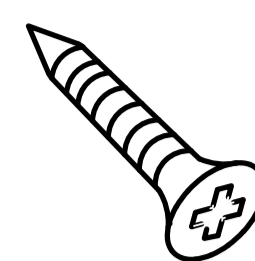


Step 40

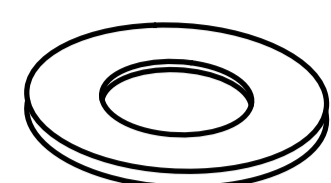
16



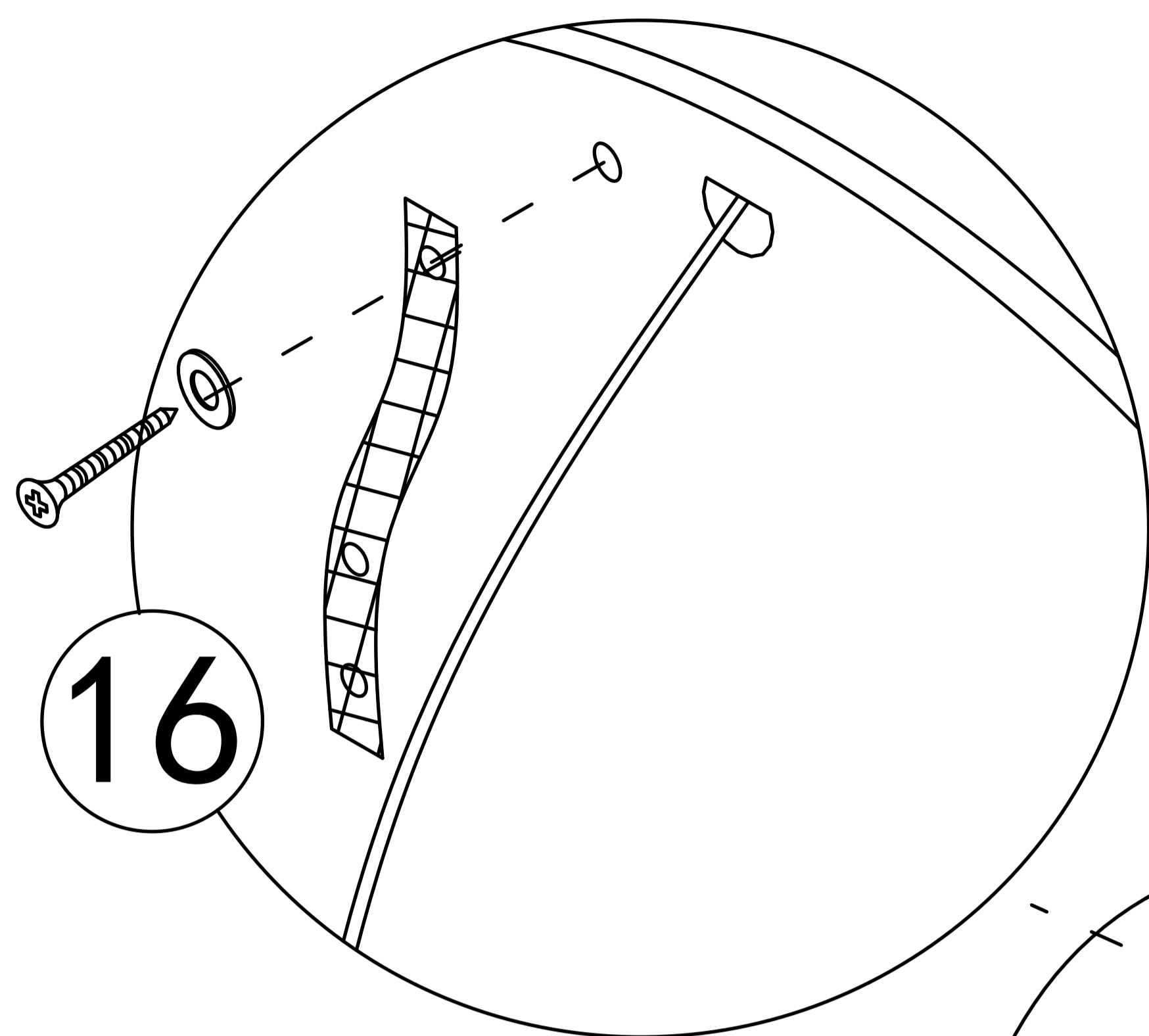
1pcs



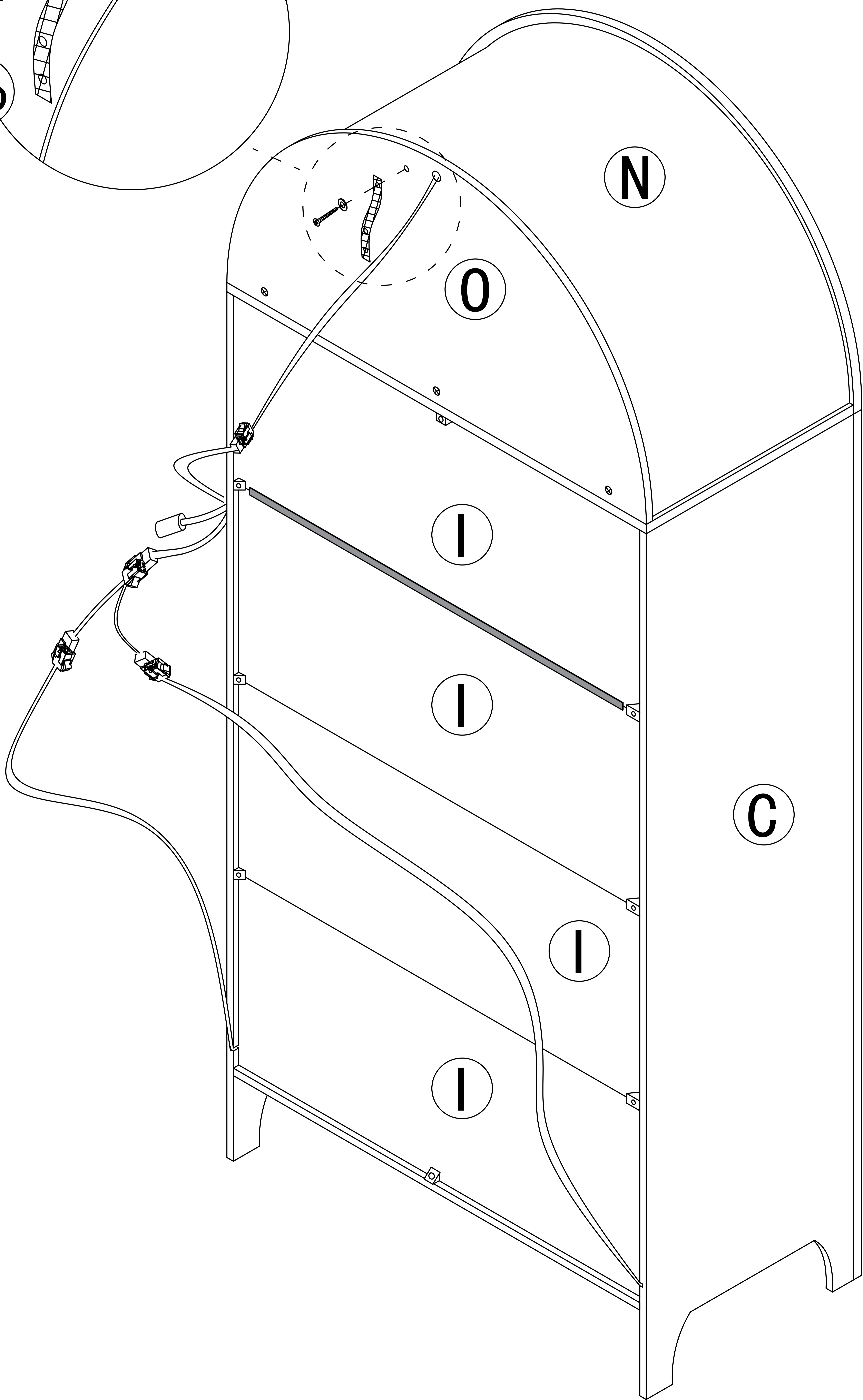
1pcs



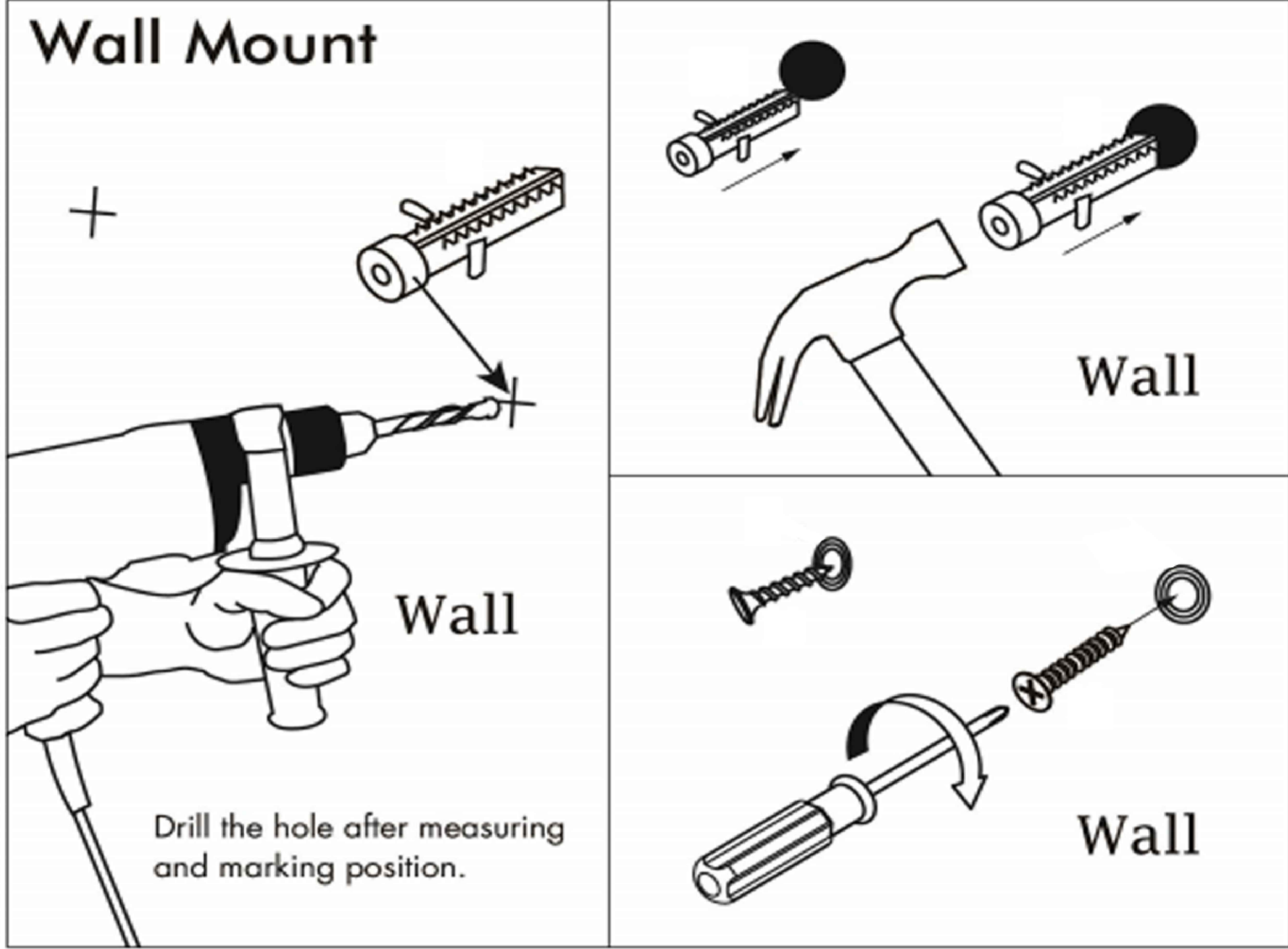
1pcs



16

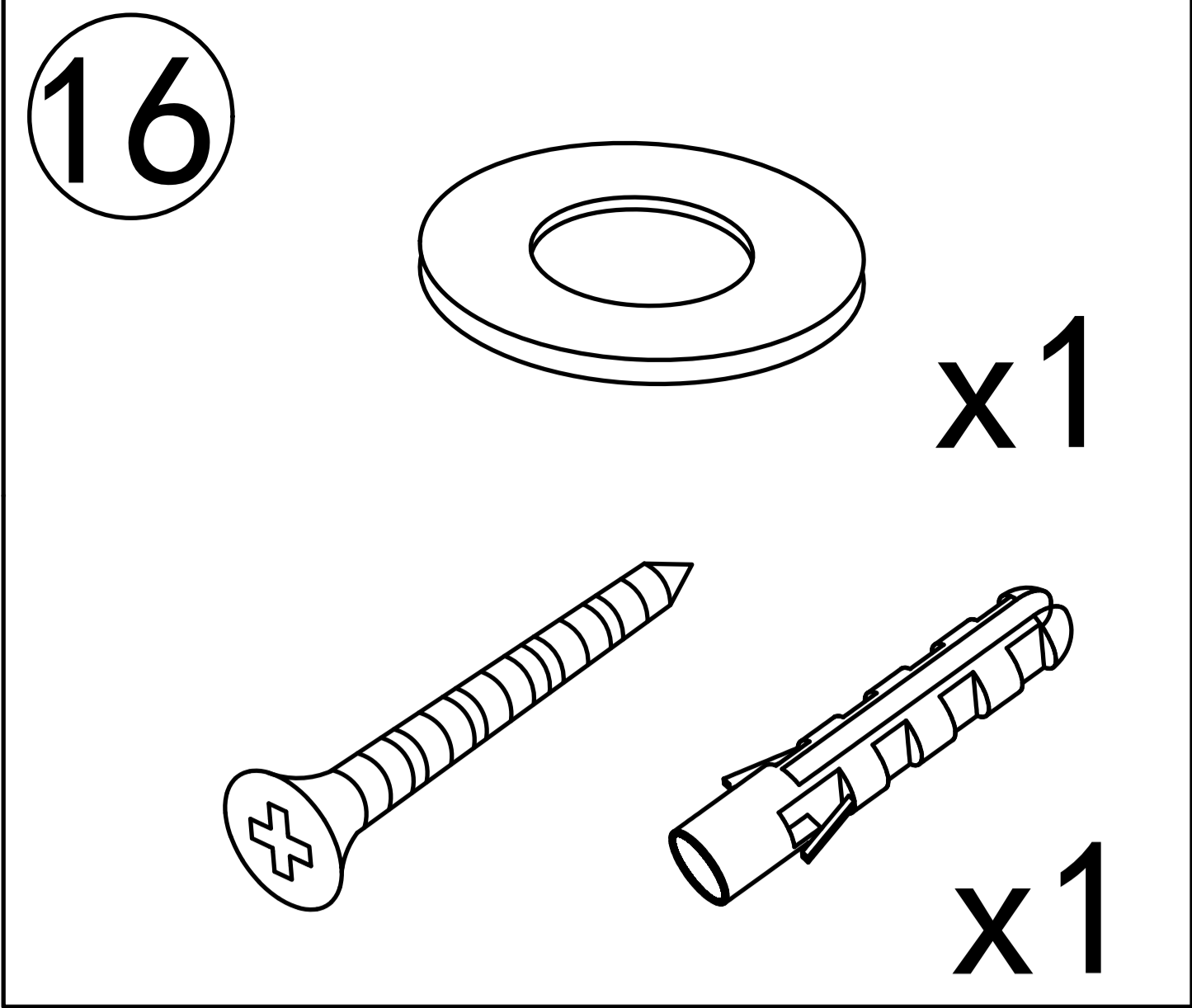


Step 41



use a ruler to measure the approximate height of the product on the wall, and then mark it with a pencil.

Use a tape drill to make holes in the wall that are suitable for the product screws.

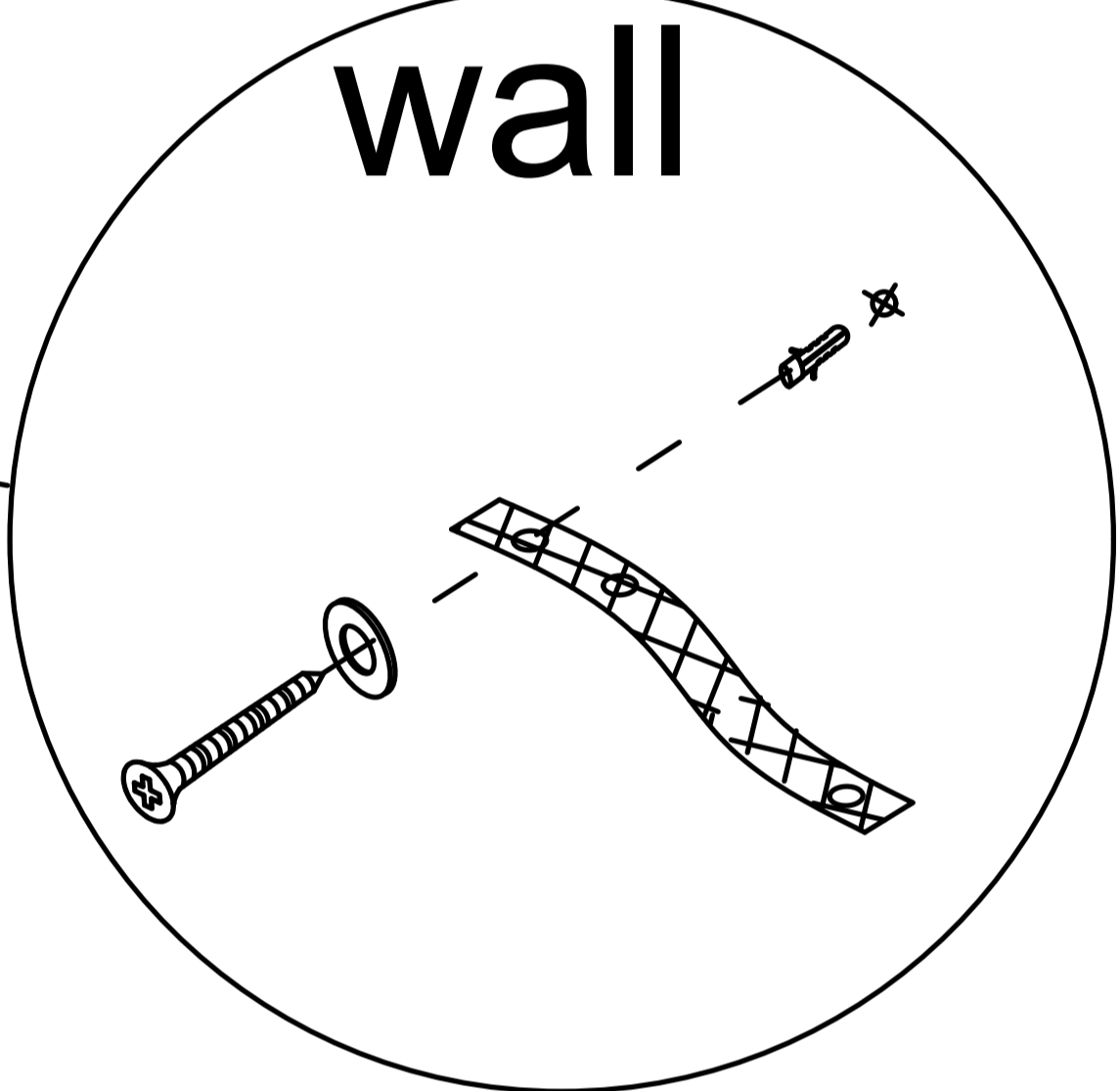


Put the expansion bolt into the hole.

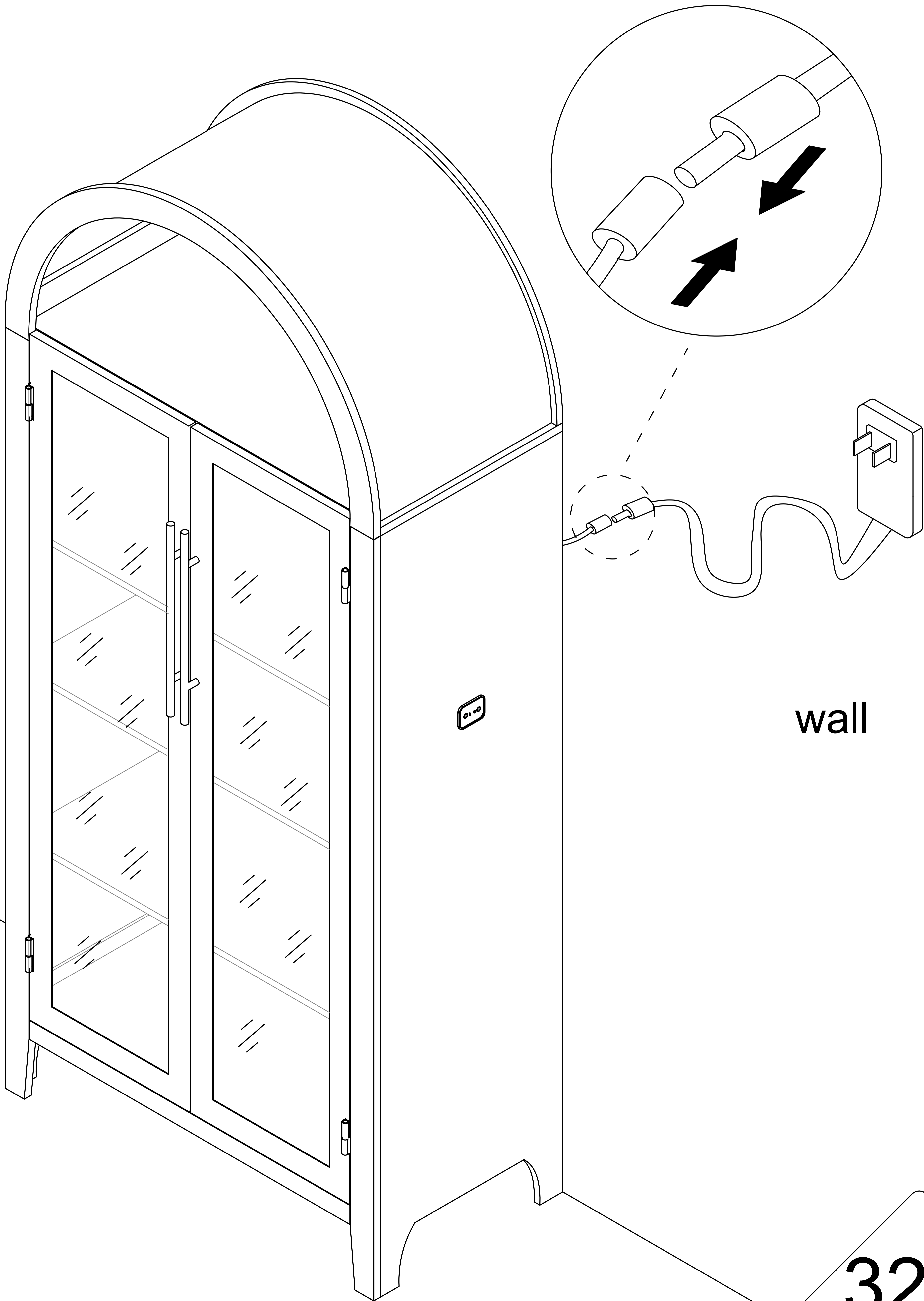
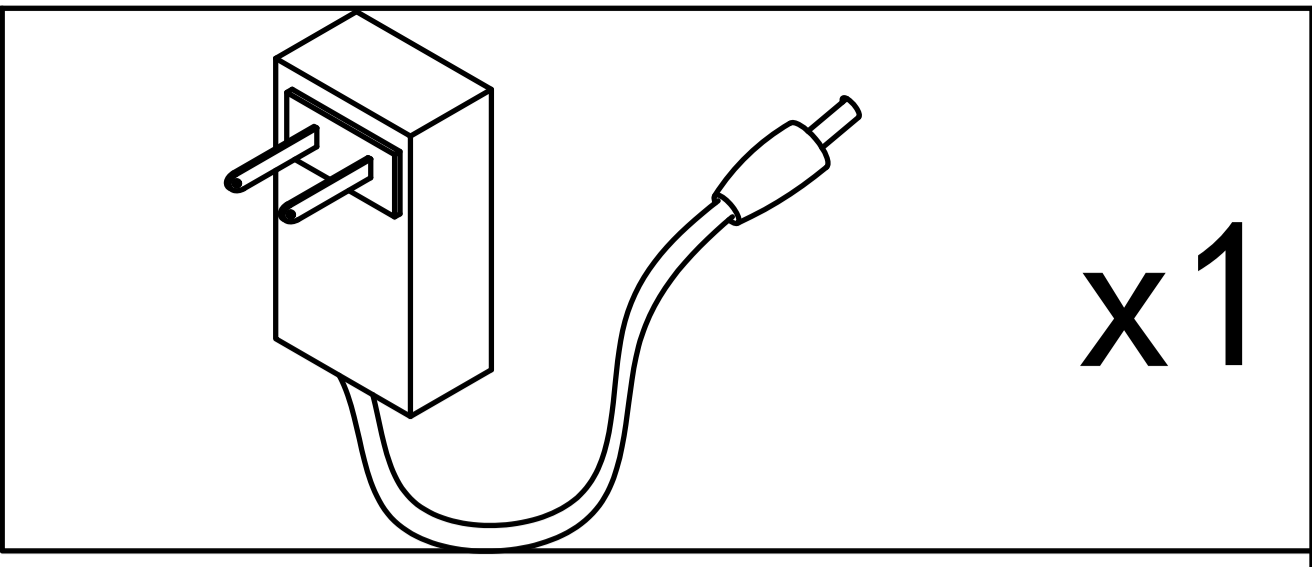
Pass the matching screws through the "anti-rewind" and tighten them to fix them on the wall.

wall

wall



Step 42



wall

wall

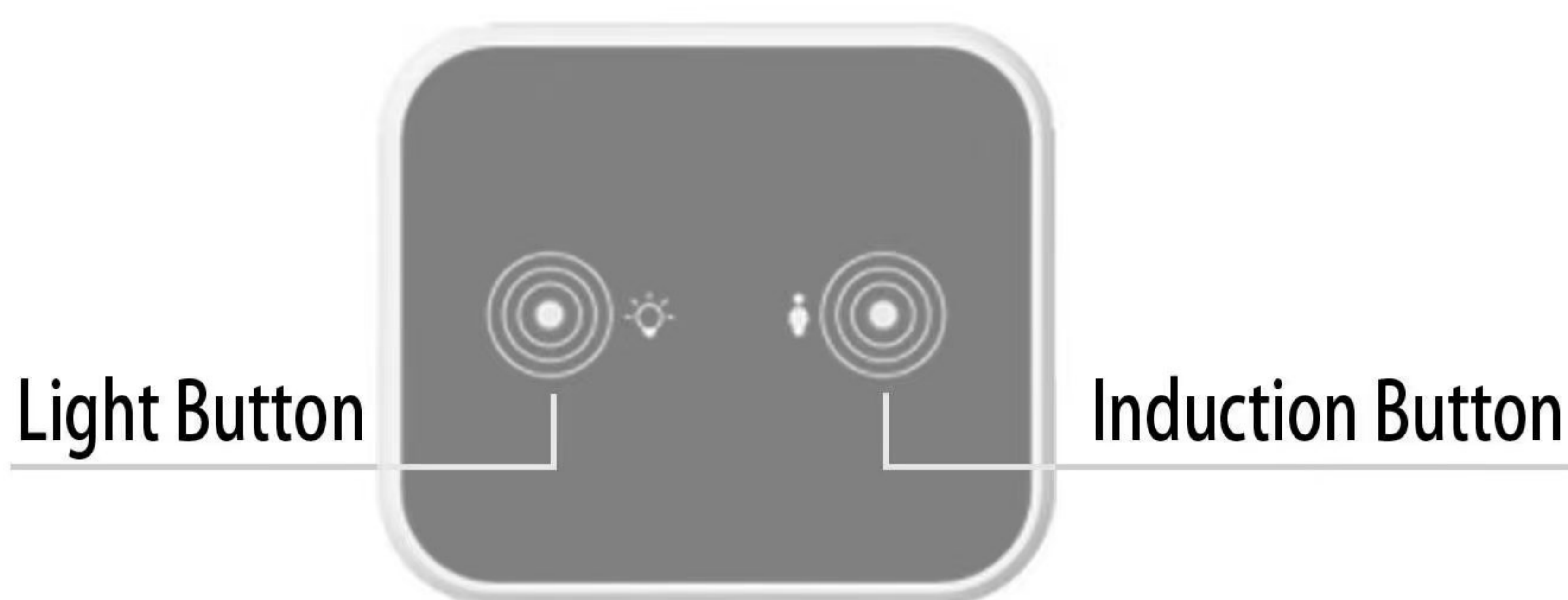
User's Guide

Thank you for purchasing this product. To use this product, please plug it into a 12V DC power supply. Please use if the product works normally after connecting to power.

Introduction

The box is an intelligent controller with 2 touch buttons. It can turn ON/OFF the light, change light colors, and adjust the light luminance.

Product Show



ATTENTION PLEASE

1. If there is no touch response suddenly, Re-plug the power to reset the touch static electricity.
2. If bubbles appear on the panel, remove the protective film.

Operation



This touch button is used to turn on/off, change colors, and adjust brightness.

A. Short touch -> lighting on -> short touch -> change light color -> short touch -> change light color -> short touch -> lighting off. B. Long touch -> adjust the luminance



This touch button is used to turn on/off the induction function.

A. Short touch to turn on the induction function. It can auto-turn on the light when people are close to the controller in 1 meters. It can auto power off the light when the body is far away from the controller after 30 seconds.

B. Long touch to turn off the induction function.

C. Note: When you touch the light button to change the light modes, the induction function will automatically turn off. It is best to turn on this function after selecting the light color and adjusting the brightness you want.