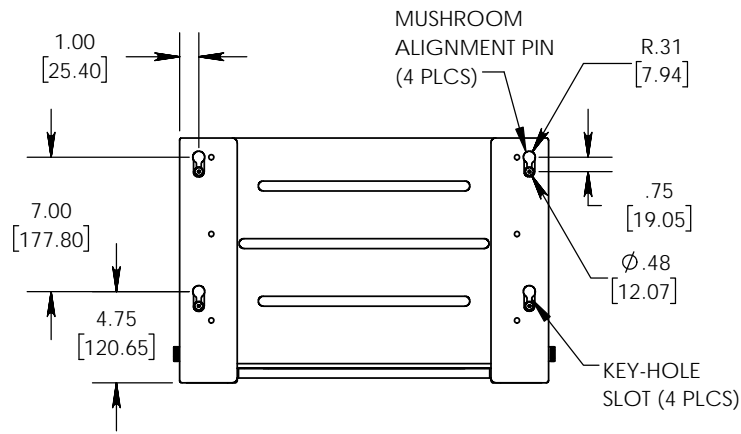
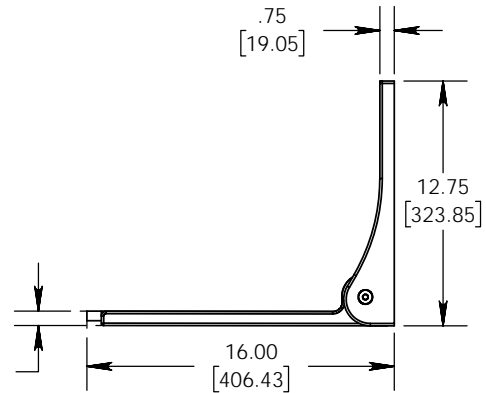
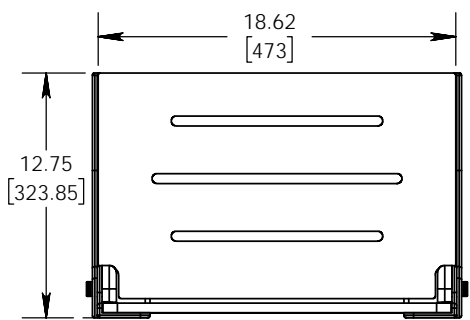
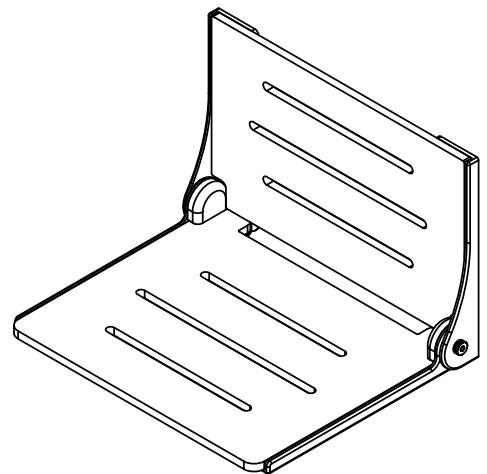
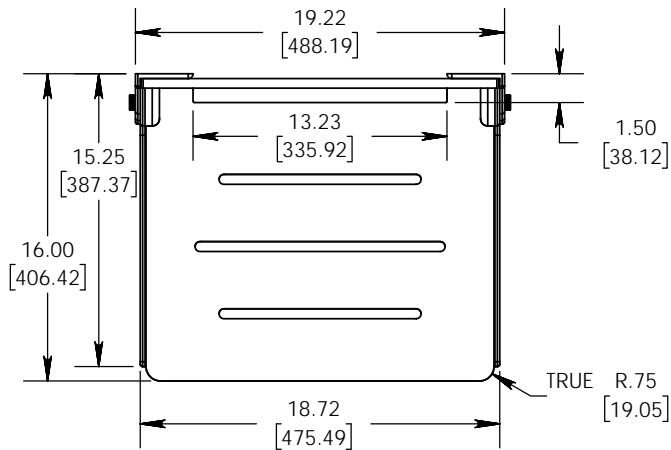


**SPECIFICATION DWG**

LIFESTYLE & WELLNESS



5. DIMENSIONS IN BRACKETS [ ] ARE MILLIMETERS, FOR REFERENCE ONLY.

3. **MATERIAL:** TEAK PHENOLIC SEAT 6. GRAIN DIRECTION PER ASME Y14.36M-1996 FOR SS SATIN FINISHES ONLY.

3. **FINISH:** SILVER POWDER COAT FRAME

4. **HARDWARE PACKAGE INCLUDES:**  
 -(6) #14 X 2" PHILLIPS FLAT HEAD SMS

INTERPRET GEOMETRIC UNLESS OTHERWISE SPECIFIED; DIMENSIONS ARE IN INCHES [MM]  
 TOLERANCES: FRACTIONAL ±1/64 DECIMALS .X ±0.1 ANGLES ±1° .XX ±0.02

TITLE: <b>SILHOUETTE HIGH BACK SEAT</b>	
DWG. NO.	REV -
SIZE <b>A</b> DO NOT SCALE DRAWING	SCALE: 1:5 SHEET 1

