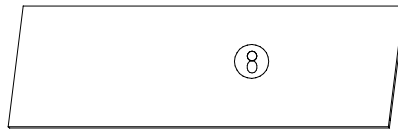
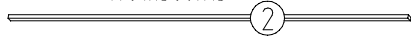


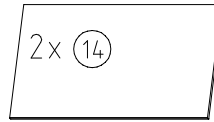
1761x560x15



1761x560x15



1760x32x15

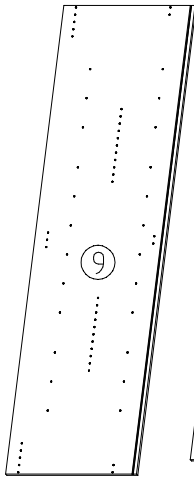


2x 14



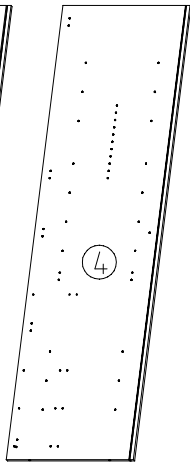
1760x32x15

873x500x18



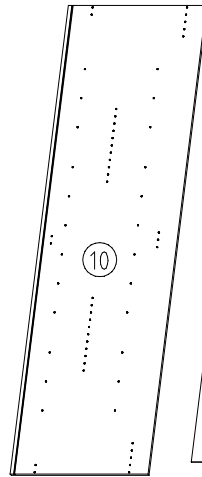
9

2064x577x15



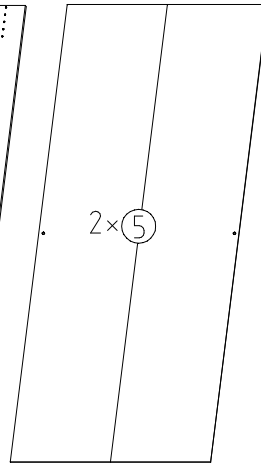
4

2001x560x15



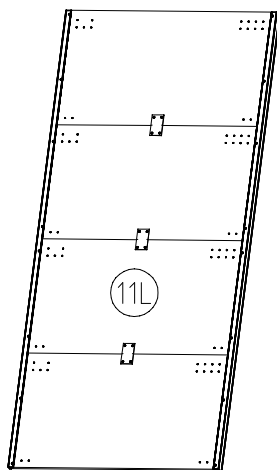
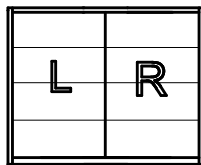
10

2064x607x15



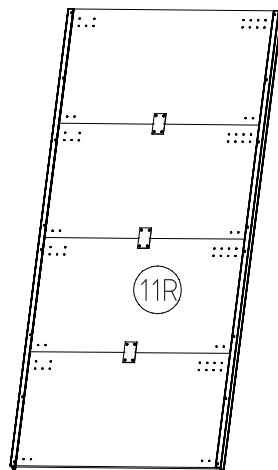
2x 5

2015x882x2,5



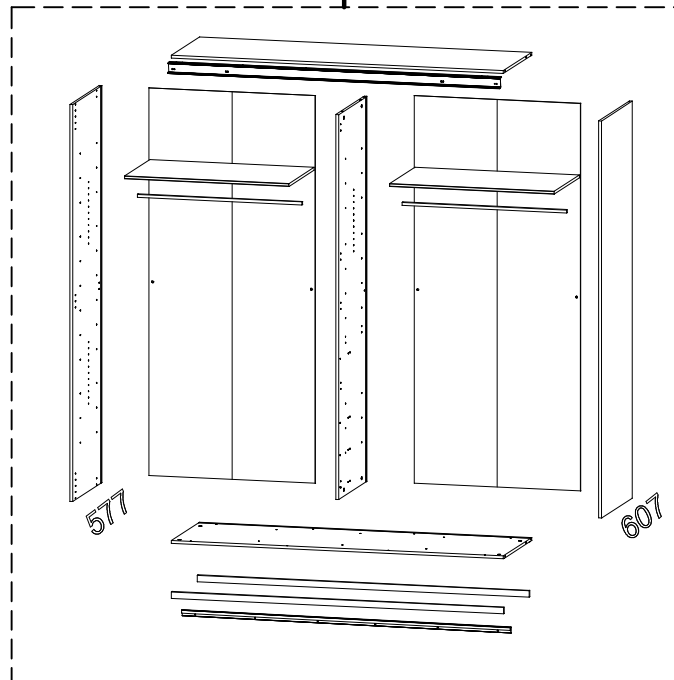
11L

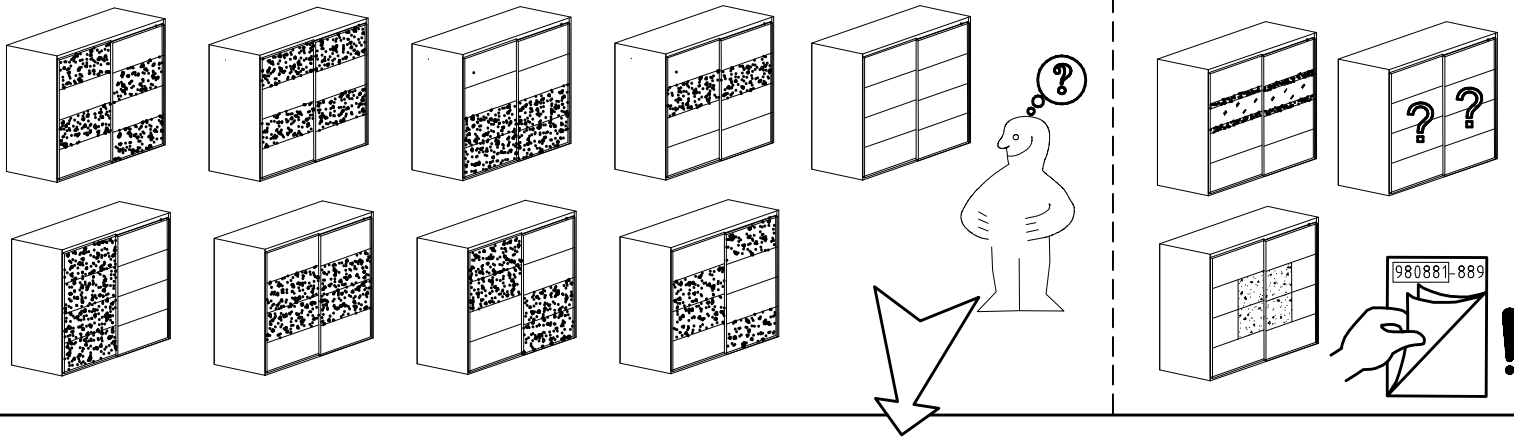
2018x916x15



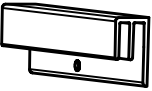
11R

2018x916x15

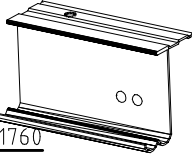


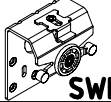






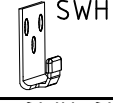
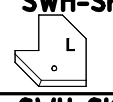

1x **FPN**
1316/1760
2204/2648/3092/3536

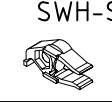
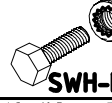
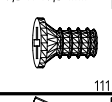
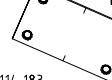



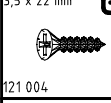


1x **LP**
1316/1760
2204/2648/3092/3536


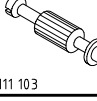


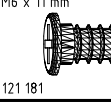
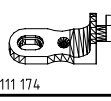
	2x
	1x
	1x
	1x


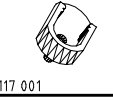
	2x
	2x
	1x
	1x


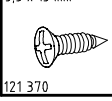
	2x
	2x
	24x
	6x

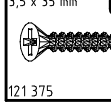
	56x
	8x
	4x
	4x

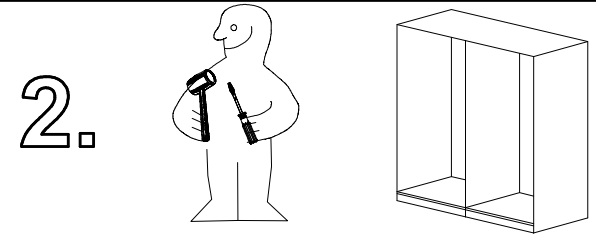
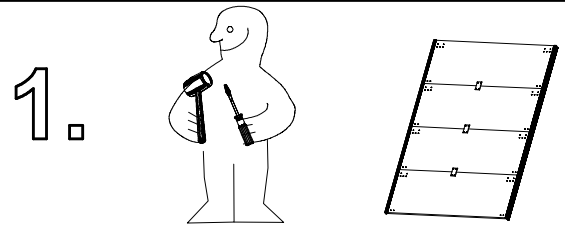
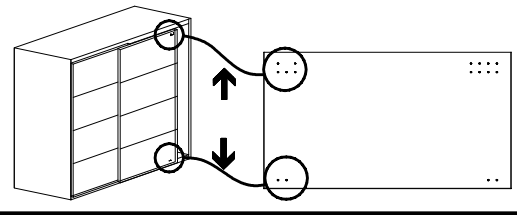
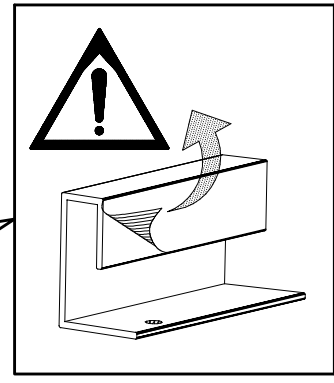
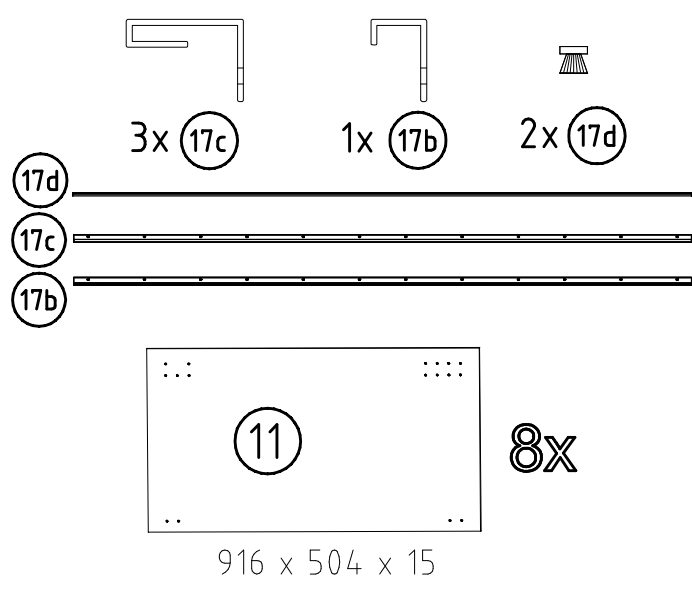
	12x
	12x

	4x
	4x

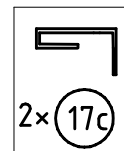
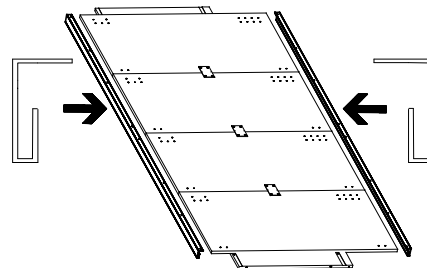
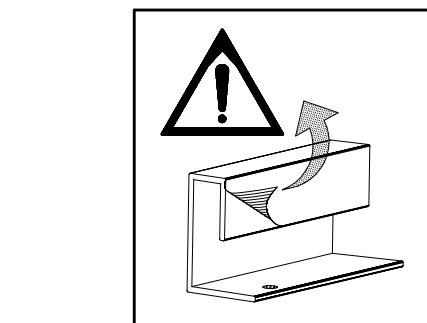
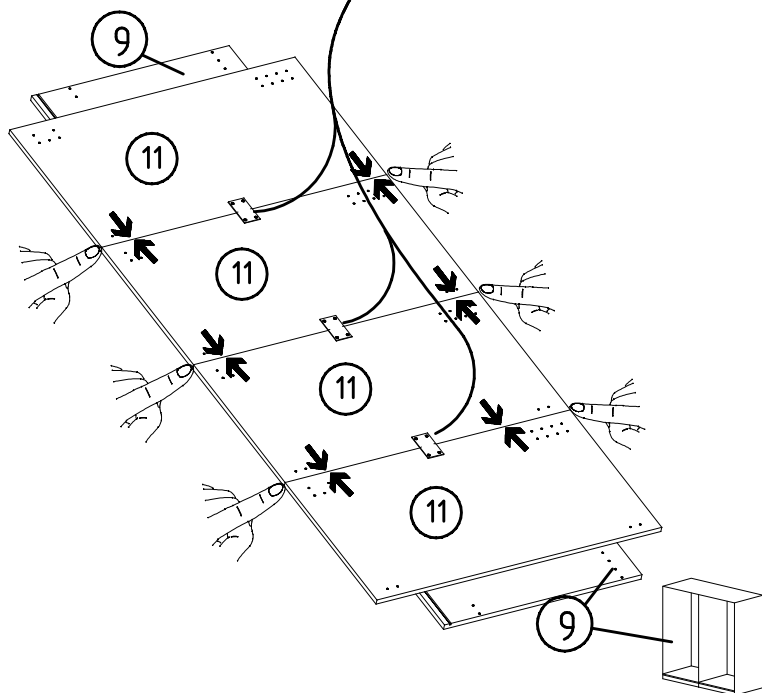
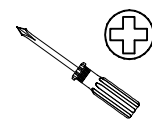
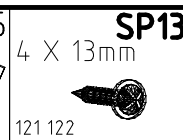
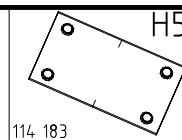
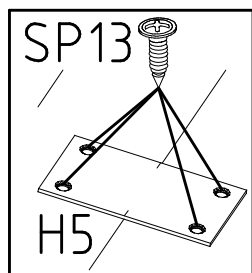
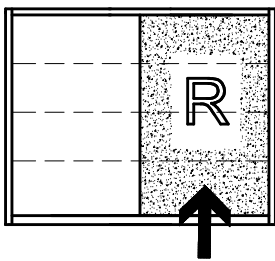
	8x
	4x

	2x
	8x

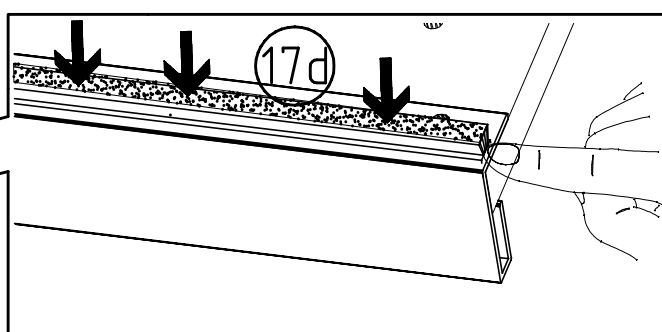
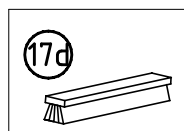
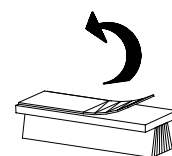
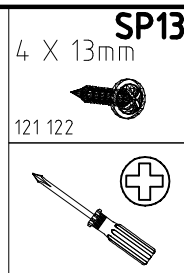
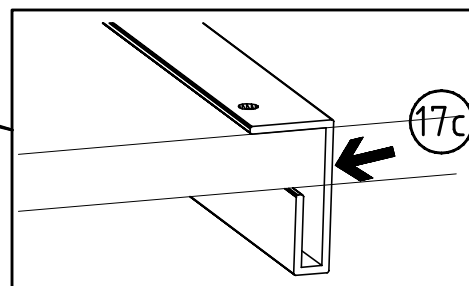
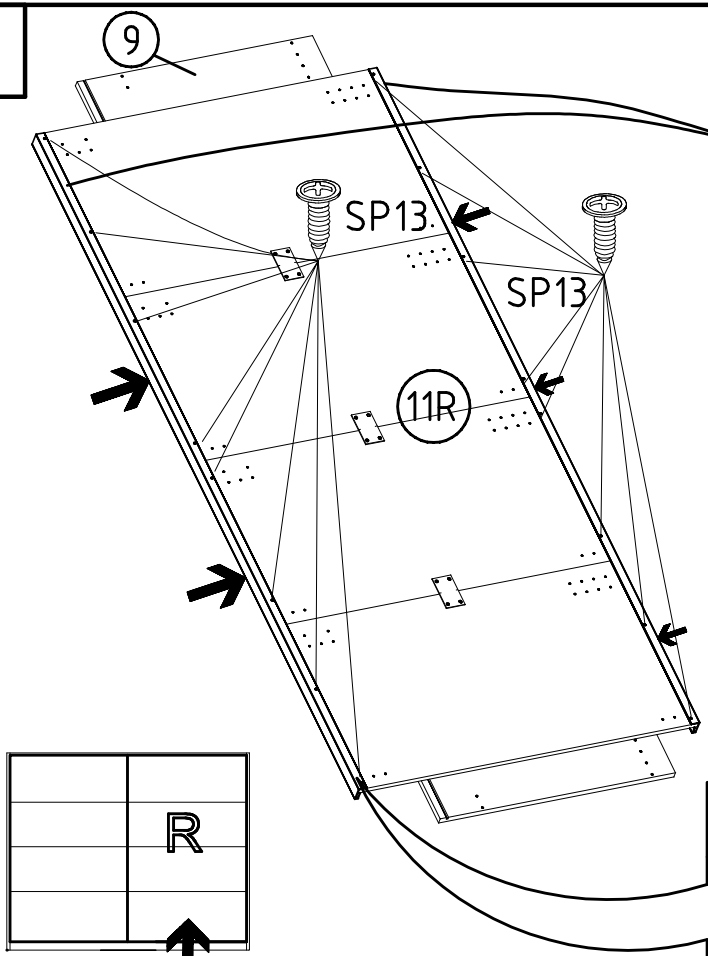
	12x
---	-----



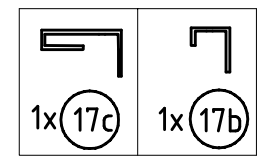
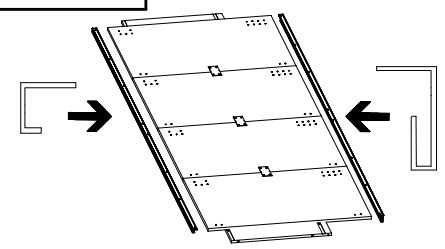
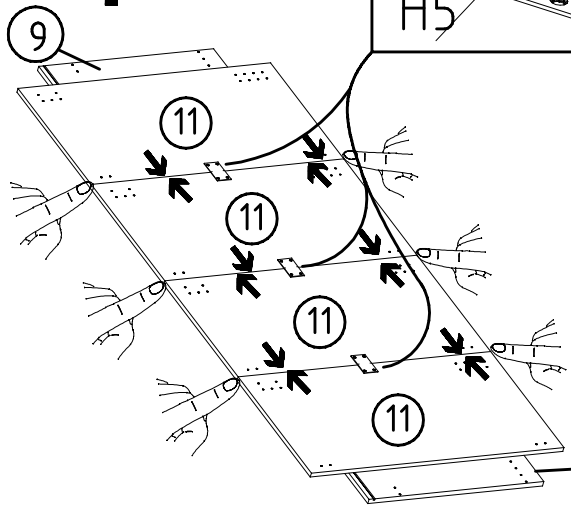
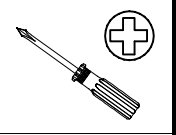
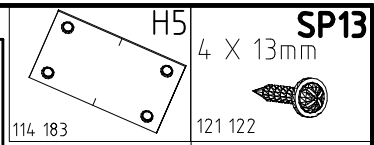
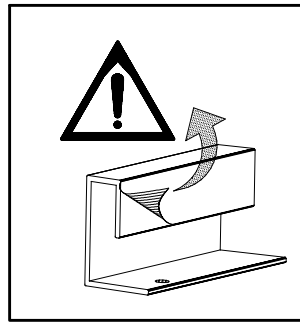
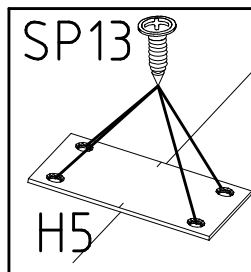
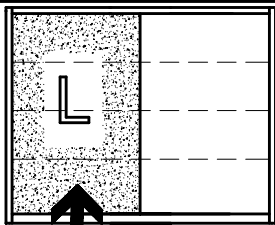
1



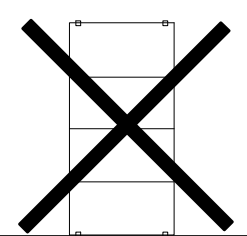
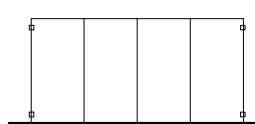
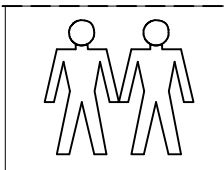
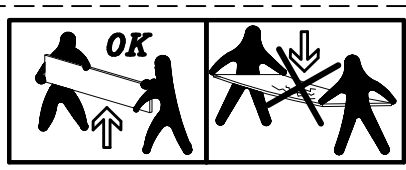
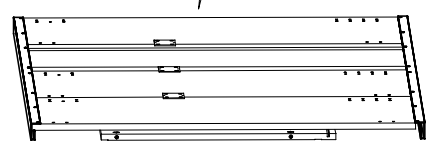
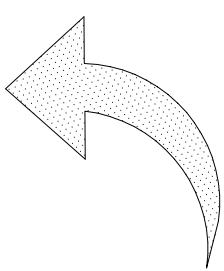
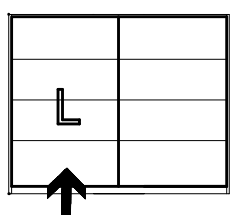
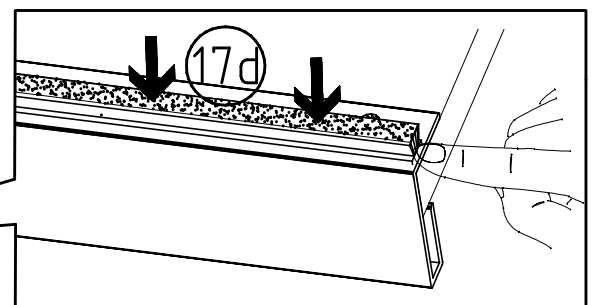
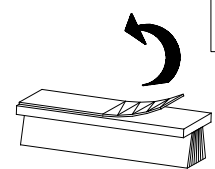
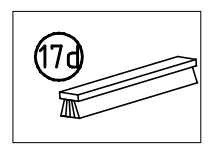
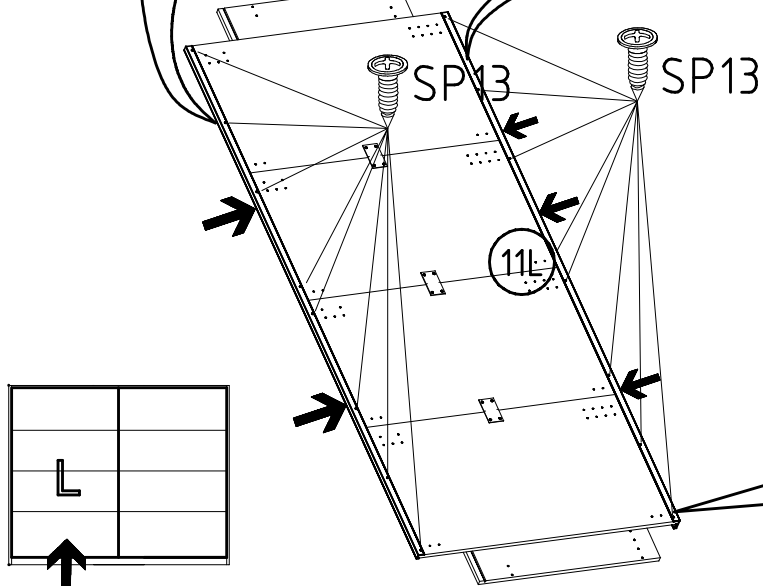
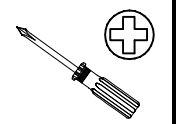
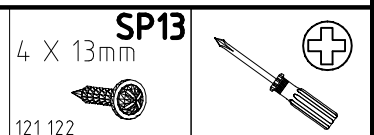
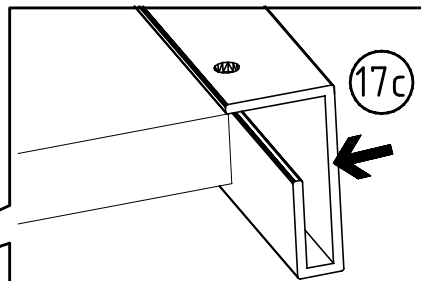
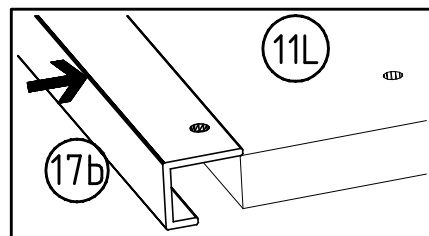
2



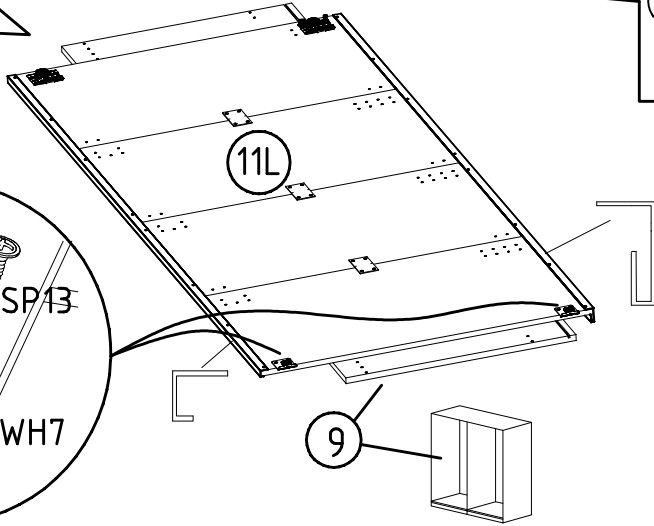
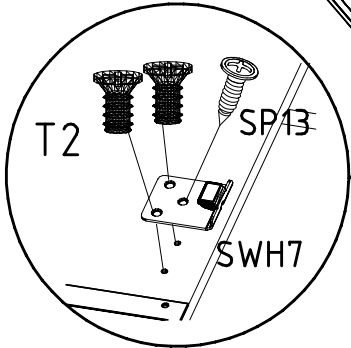
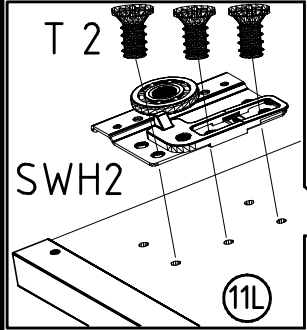
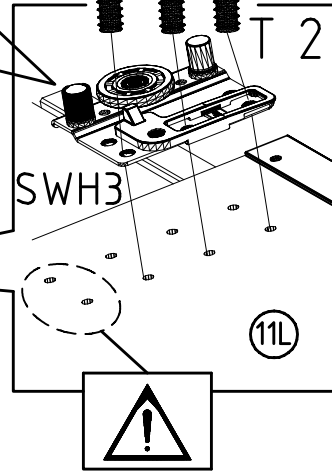
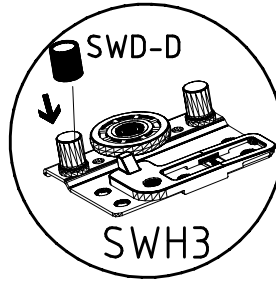
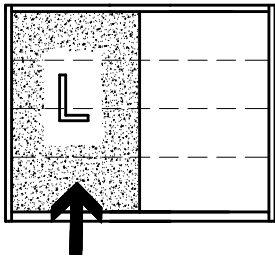
3



4

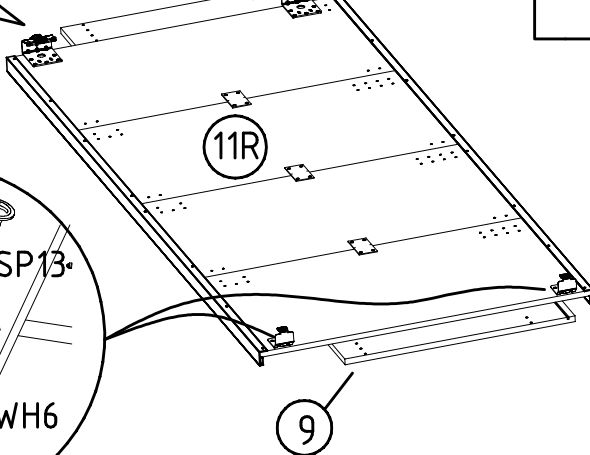
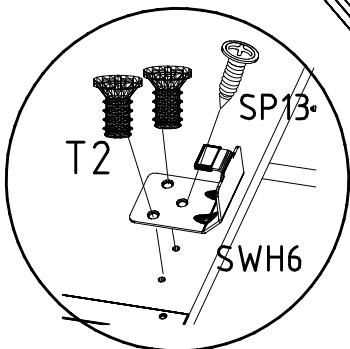
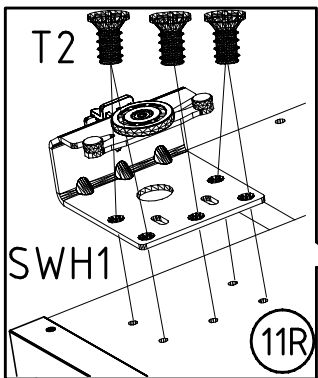
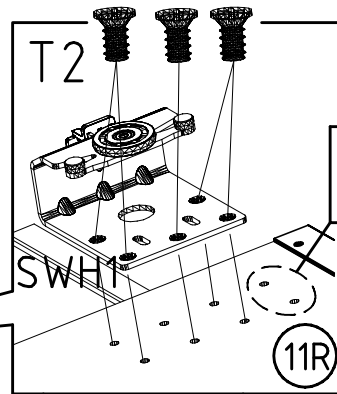
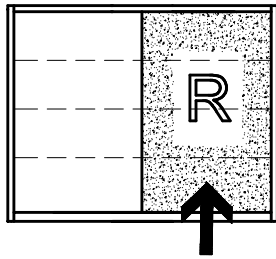


5

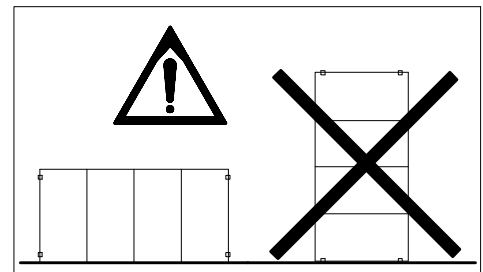


- SWH2
- SWH3
- SWH 7
- SWH-D
- 6,3 x 10,5 mm T2
- 111.030
- SP13
- 4 X 13mm
- 121 122
- +

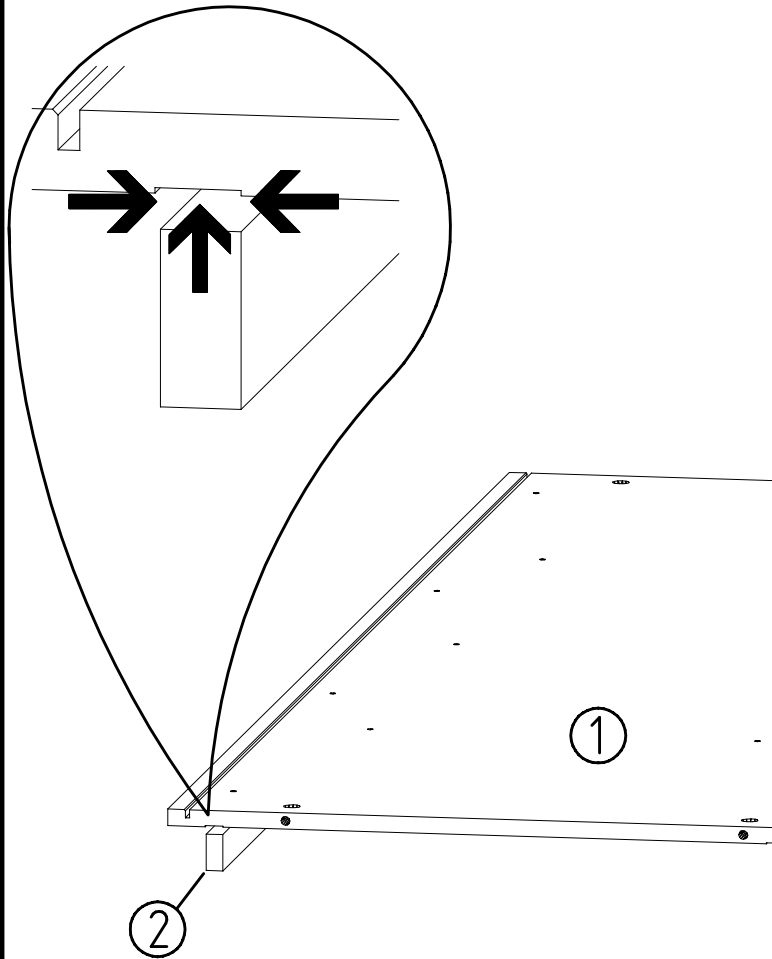
6



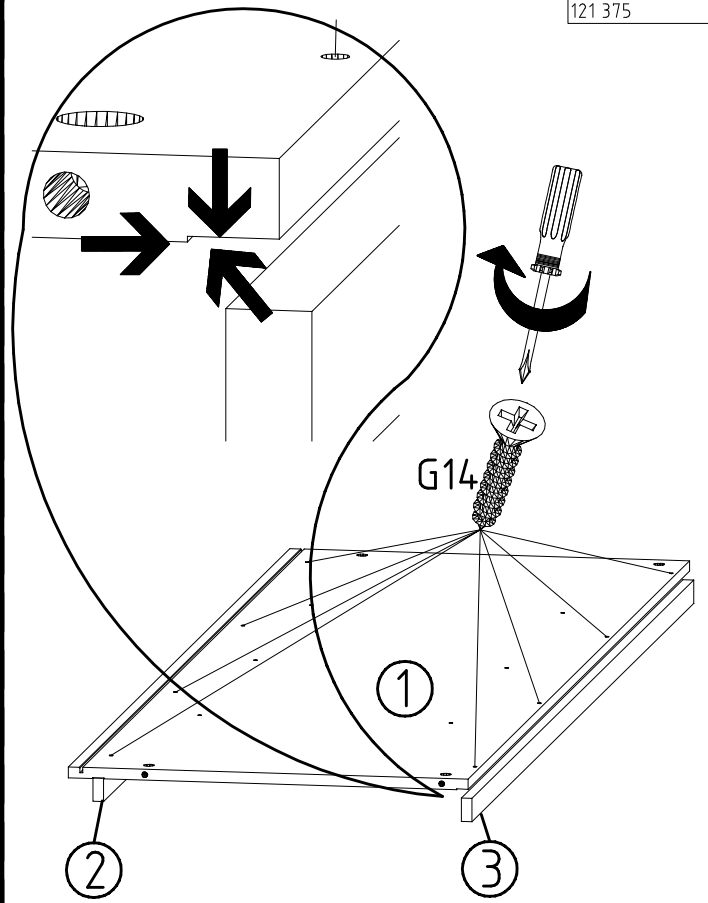
- SWH1
- SWH 6
- 6,3 x 10,5 mm T2
- 111.030
- SP13
- 4 X 13mm
- 121 122
- +



7

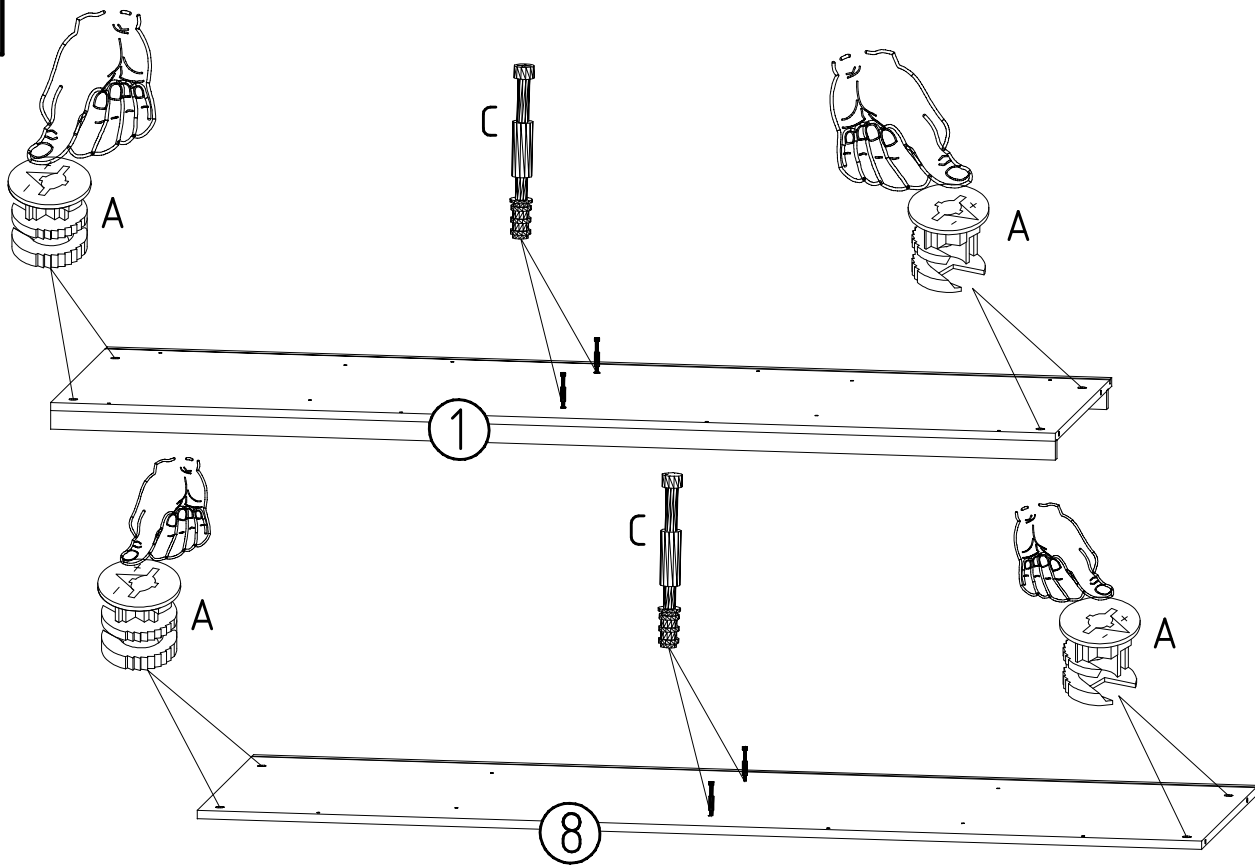



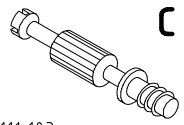
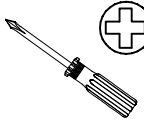

8



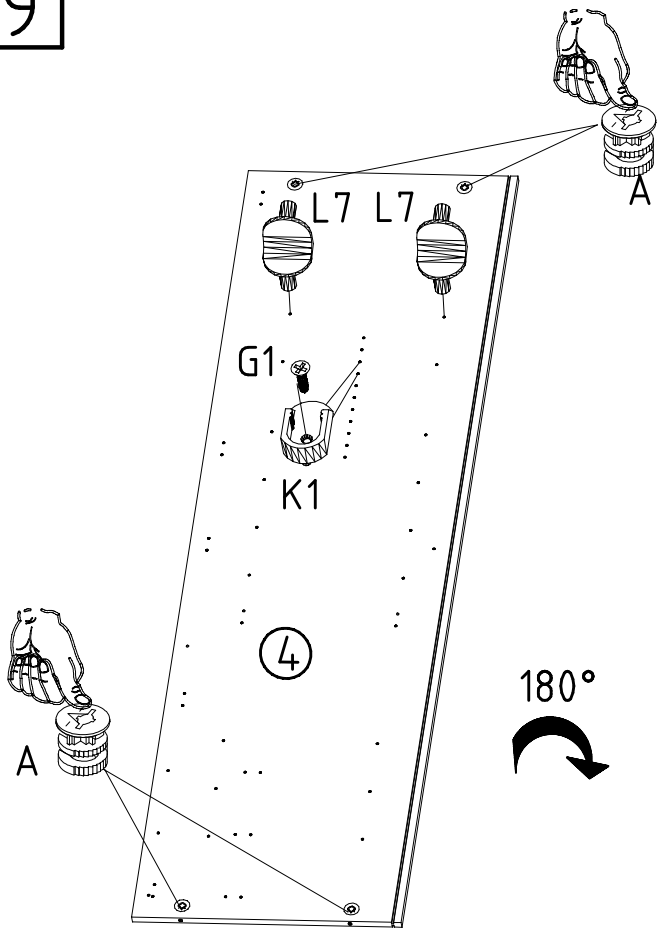
3,5 x 35 mm G14
121 375


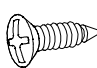

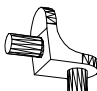

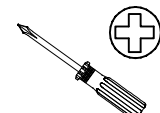

9

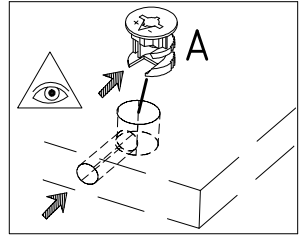


	A
111 102	
	C
111 103	
	

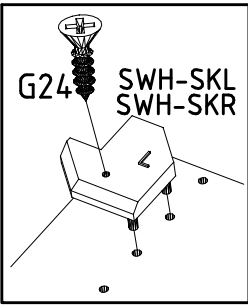
9

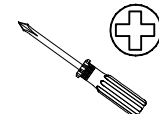

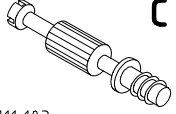
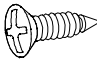

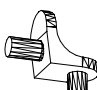
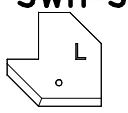
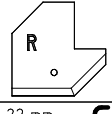



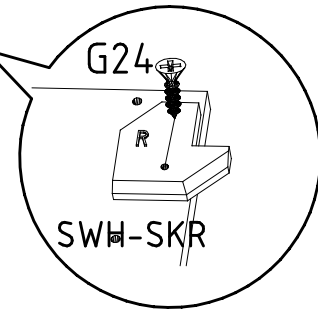
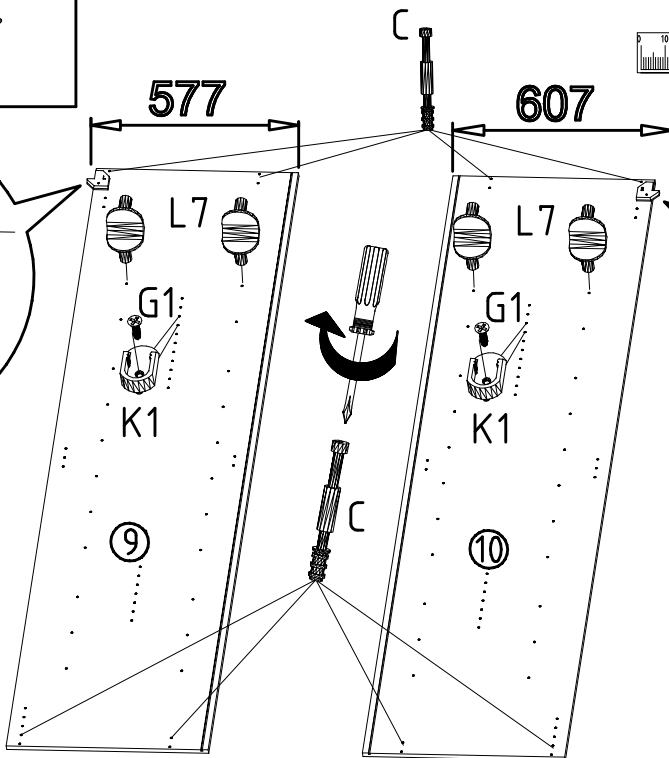
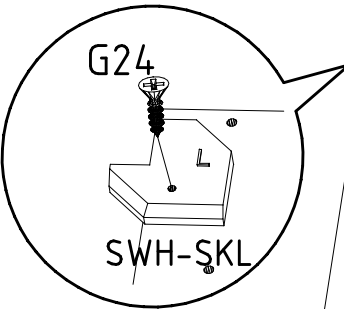
 111 102	A 3,5 x 15 mm  121 370	G1  117 001	K1  111 610	L7  111 610
 				



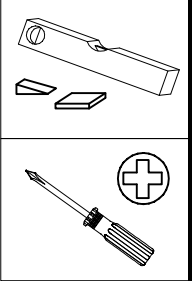
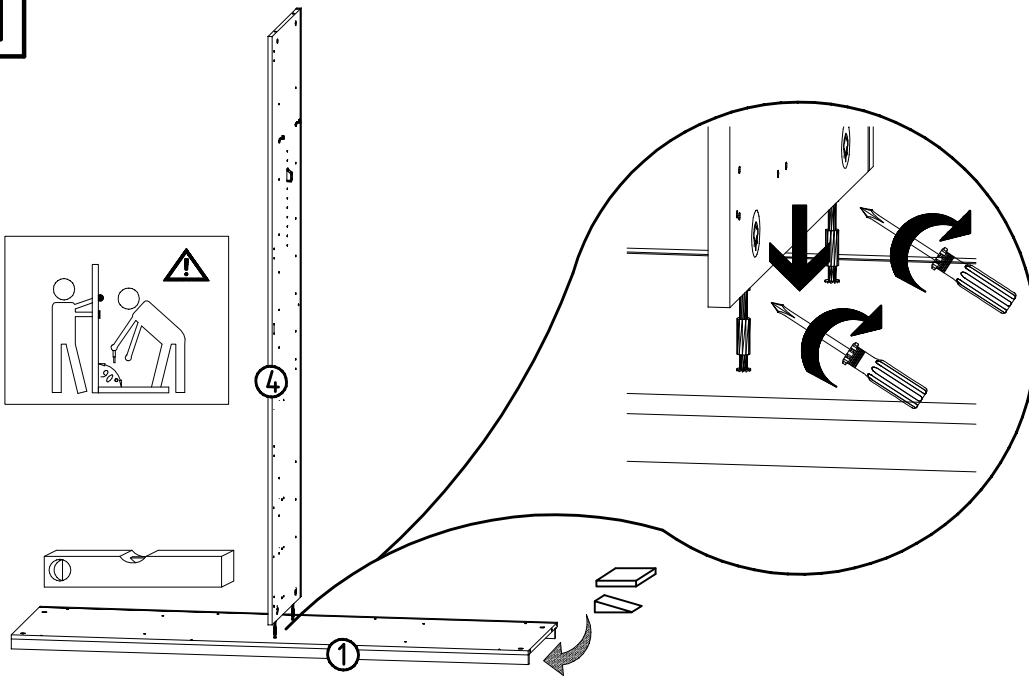
10



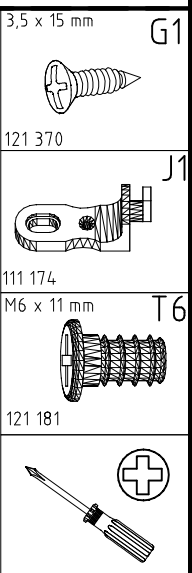
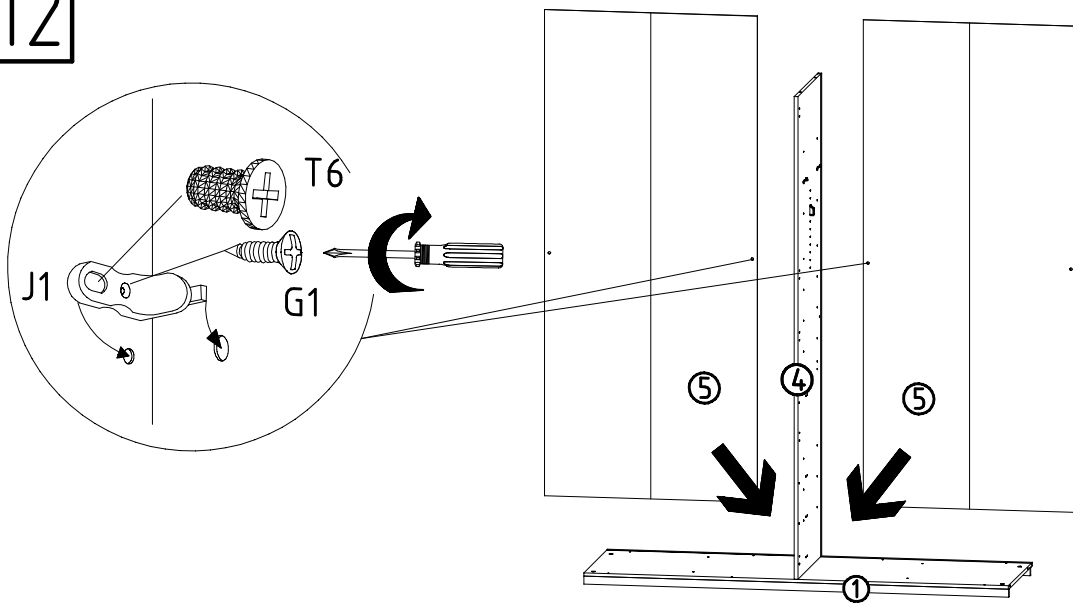
 	C  111 103 3,5 x 15 mm G1
	 121 370
	 117 001
	 111 610
	SWH-SKL  L
	SWH-SKR  R
	3,5 x 22 mm G24  121 004



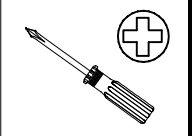
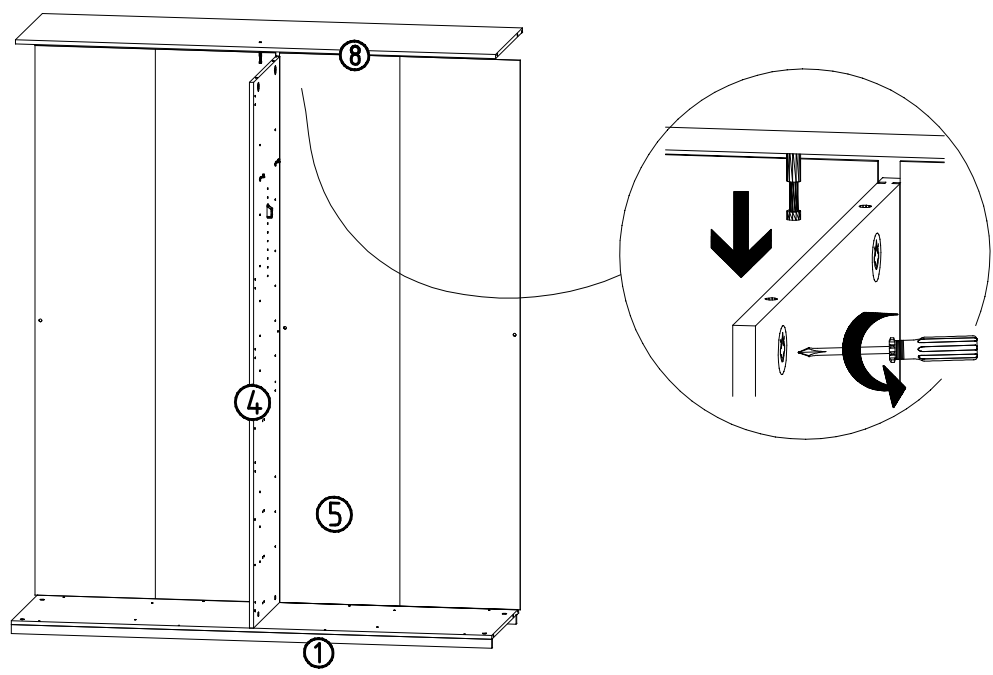
11



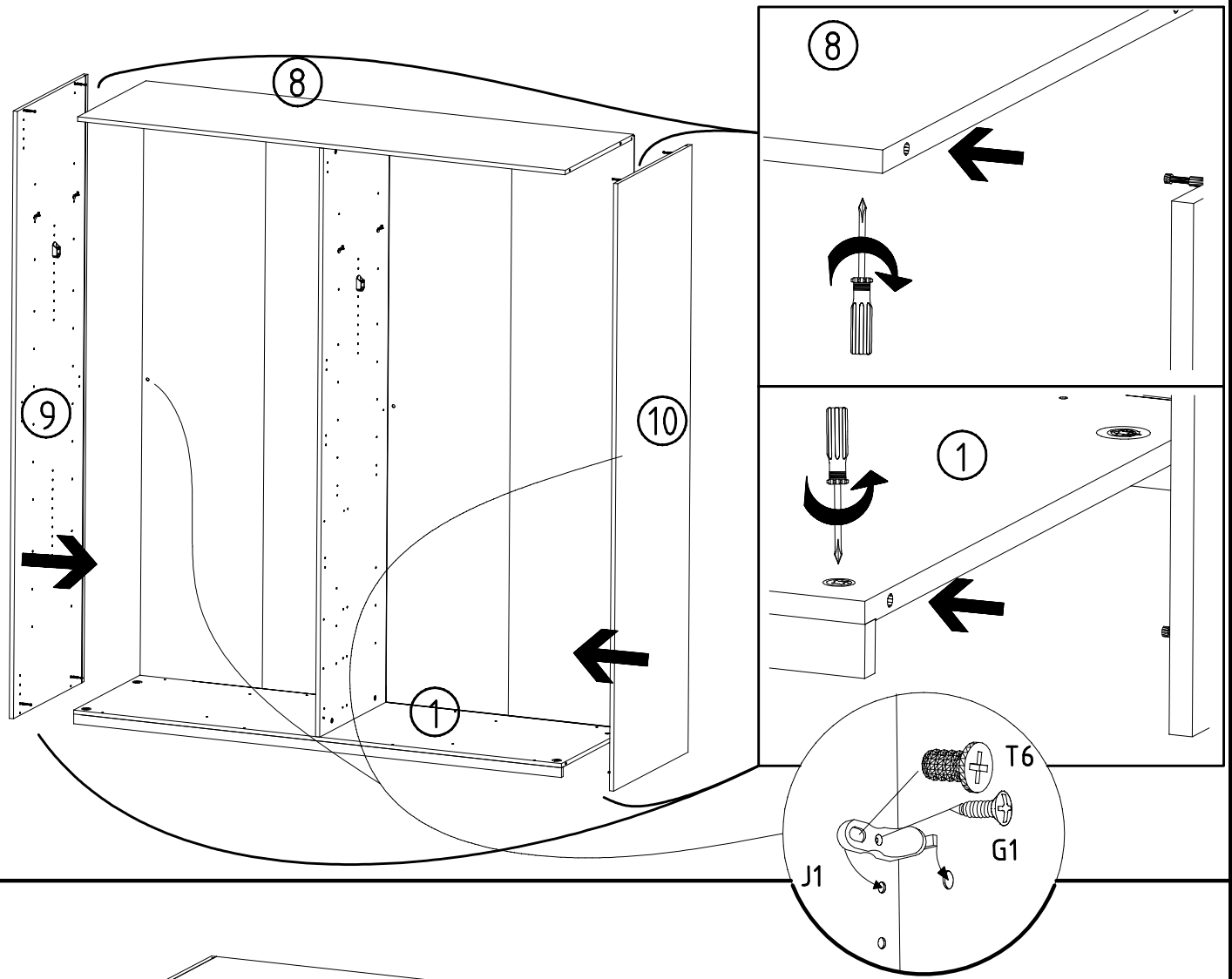
12



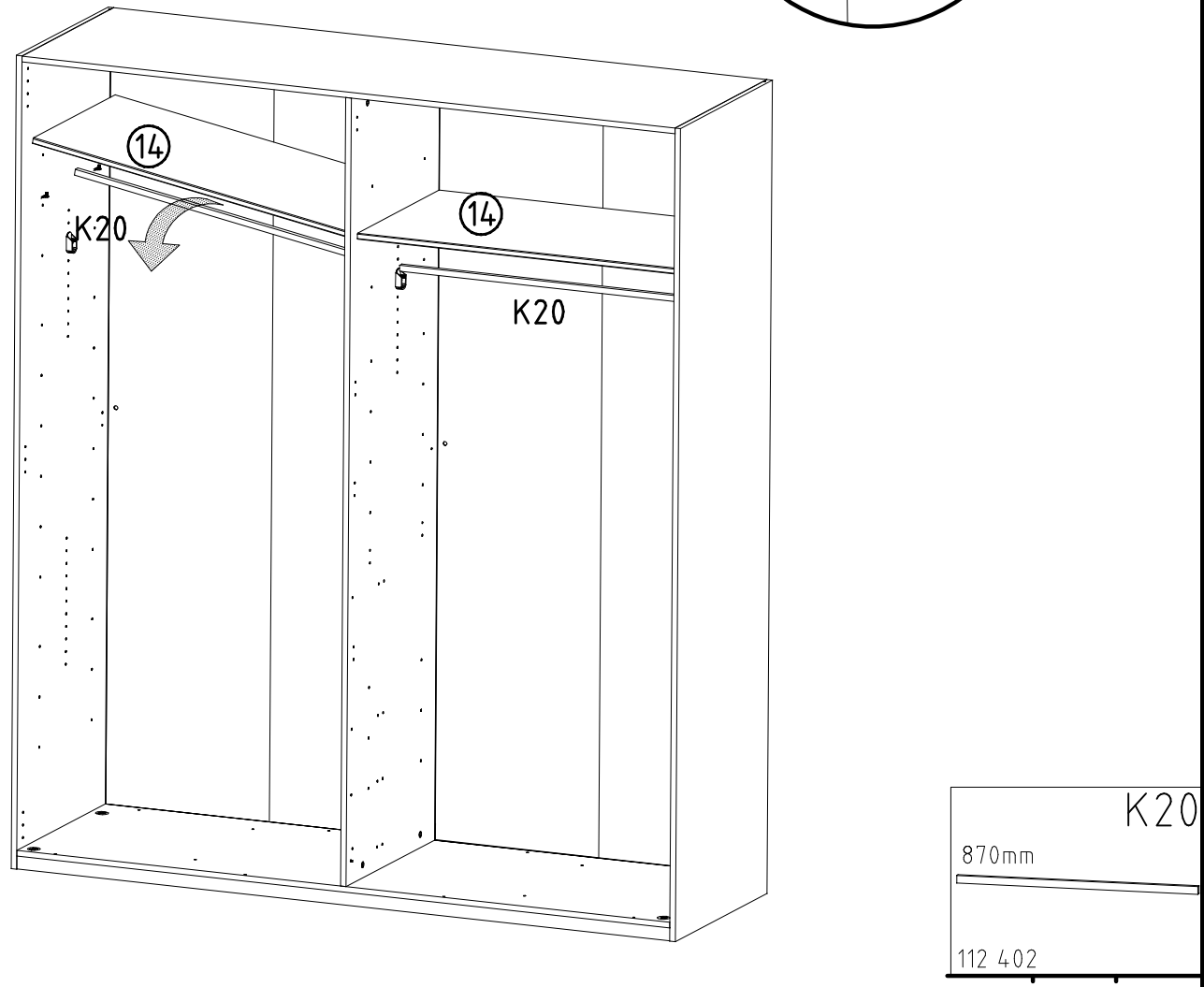
13



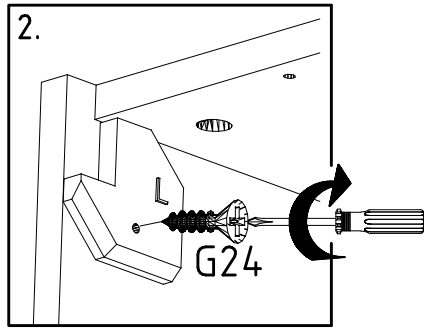
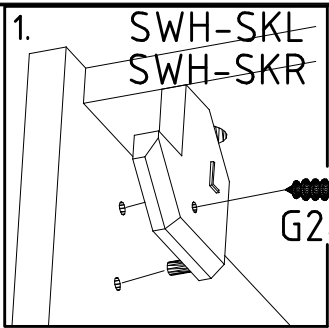
14



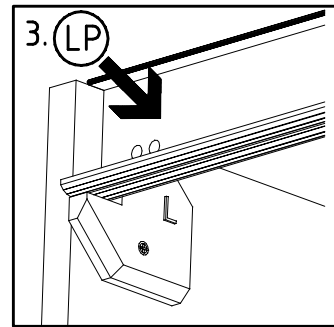
15



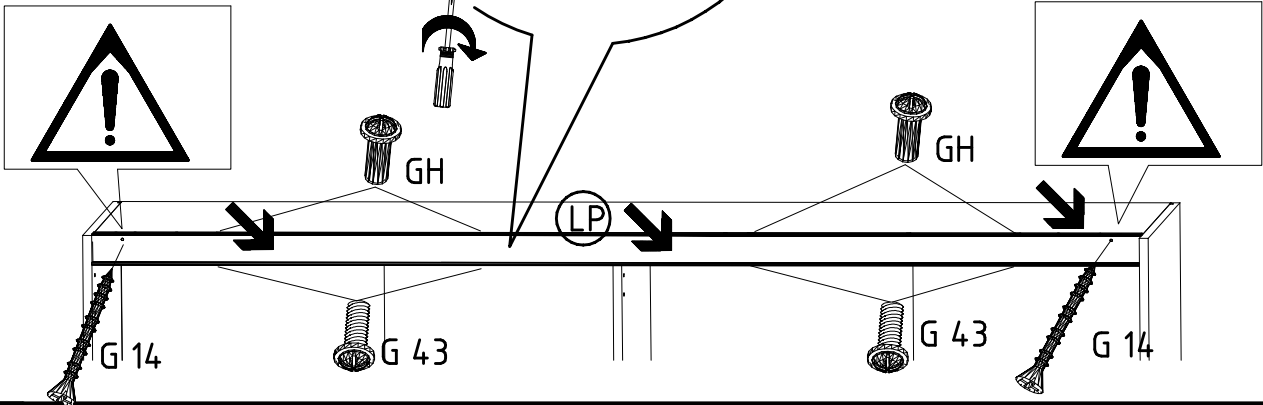
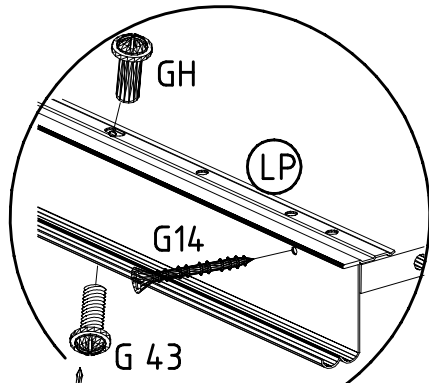
16



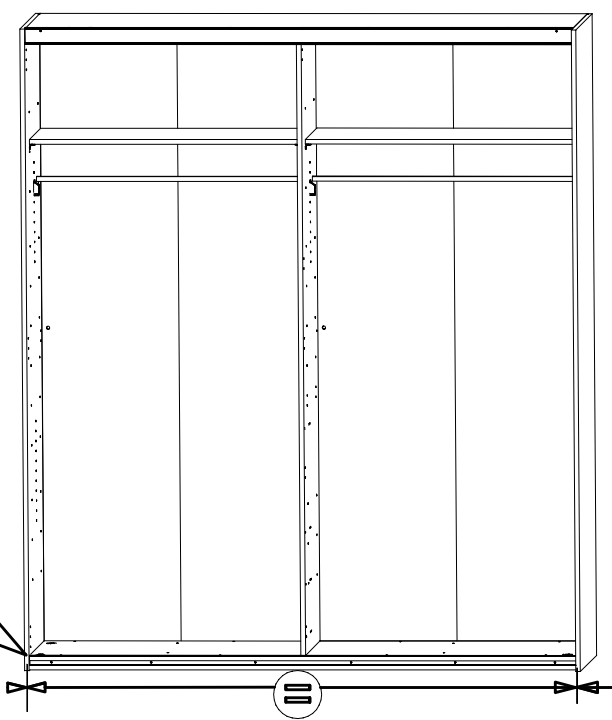
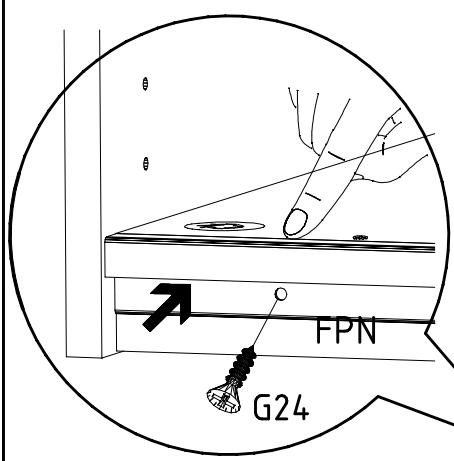
3,5 x 35 mm G14 121 375	M4 x 10 mm G43 121 xxx	M4 x 13 mm GH13 121 xxx
--------------------------------------	-------------------------------------	--------------------------------------



LP
1316/1760
2204/2648/3092/3536



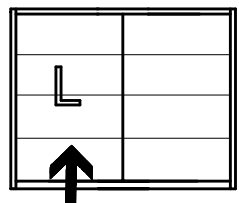
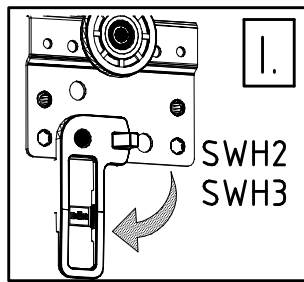
17



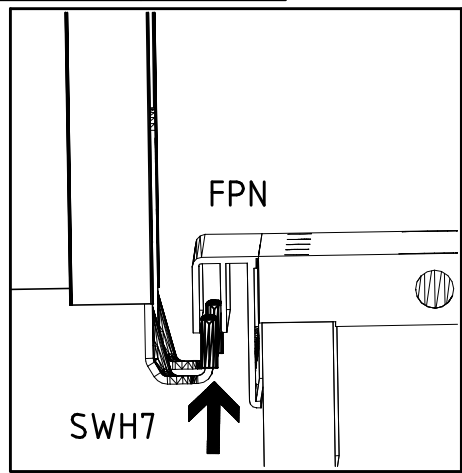
FPN
1316/1760
2204/2648/3092/3536

3,5 x 22 mm **G24**
121 004

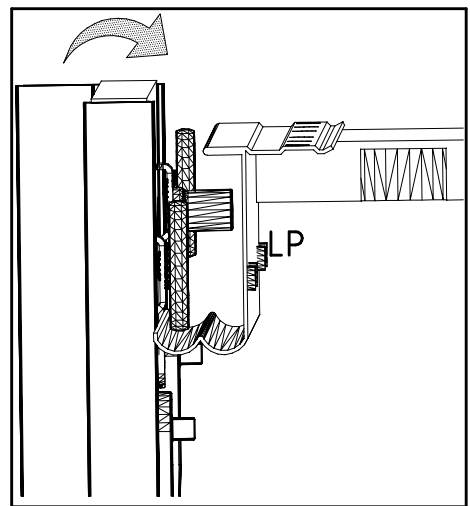
18



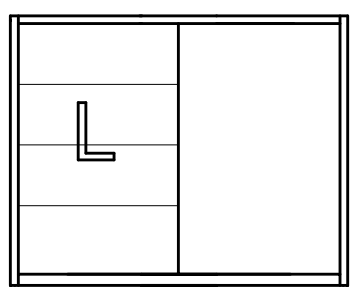
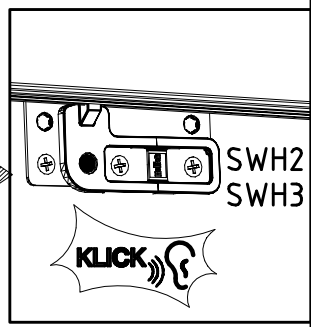
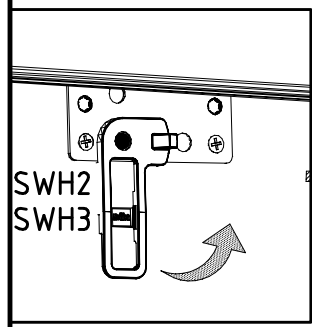
II.



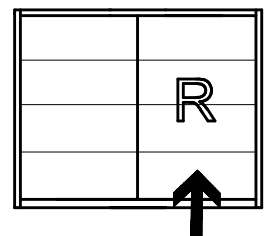
III.



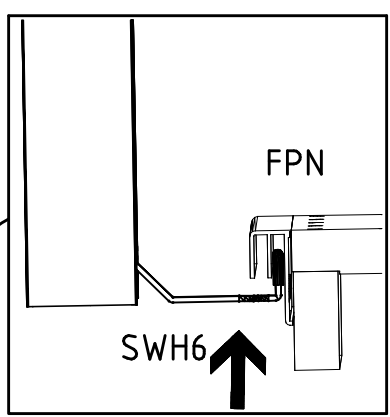
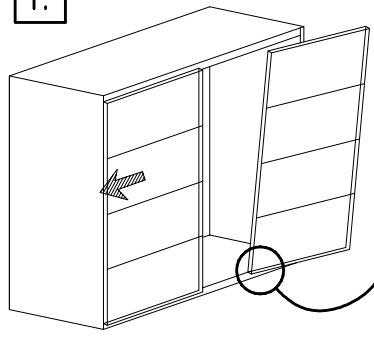
IV.



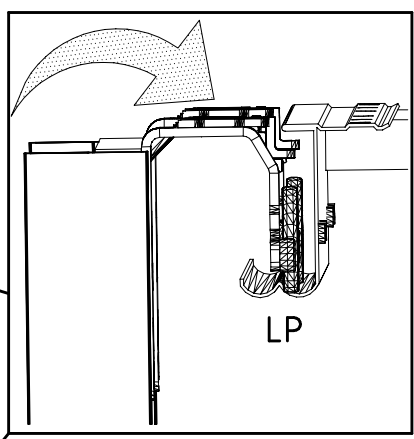
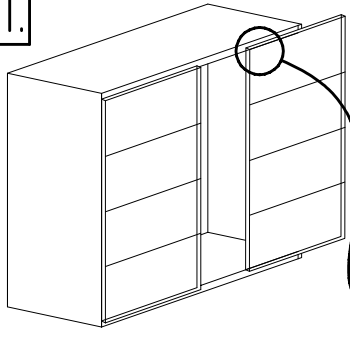
19



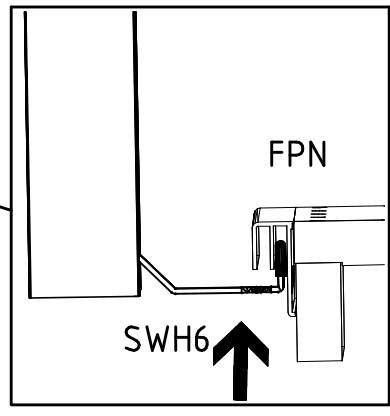
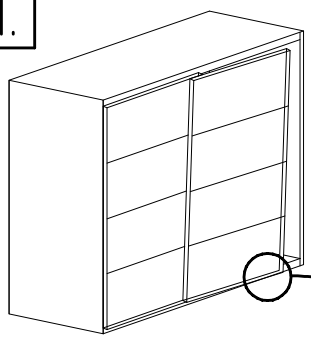
I.



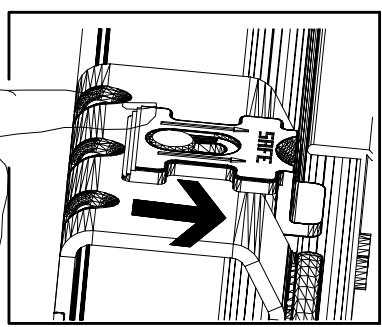
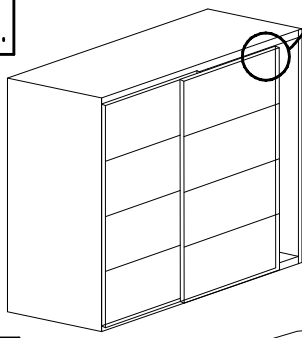
II.



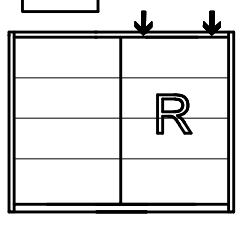
III.

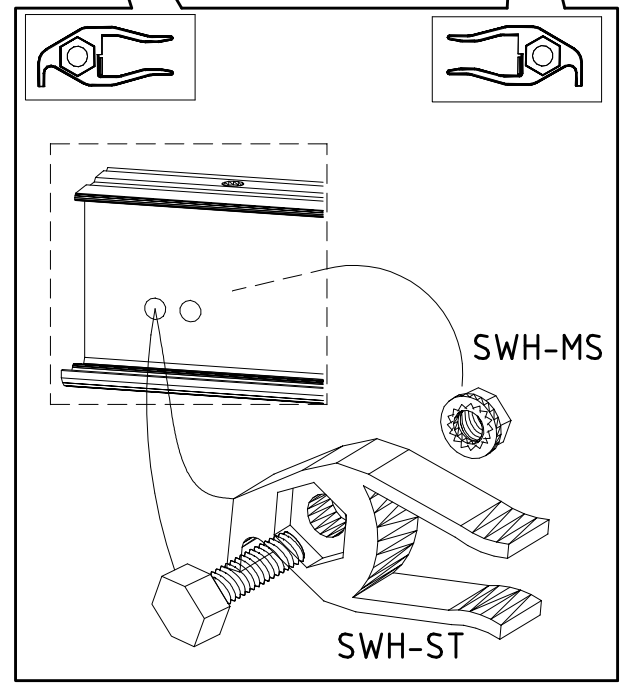
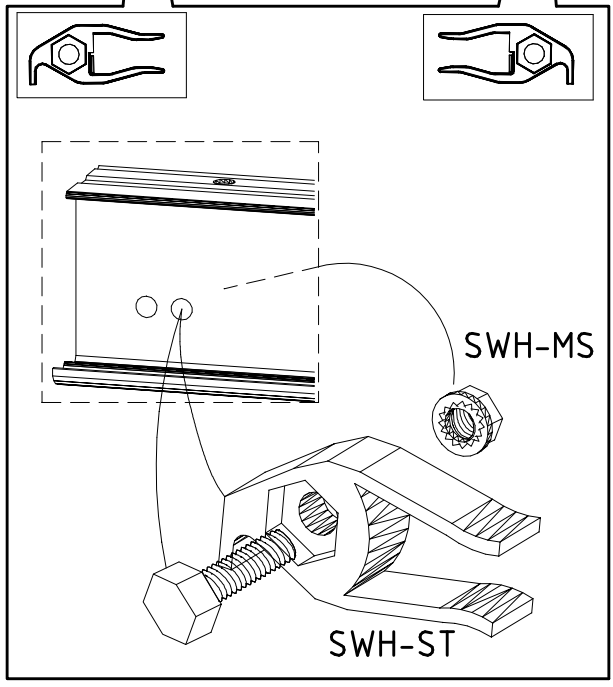
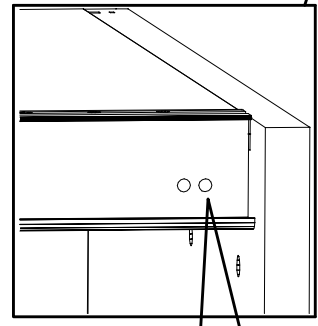
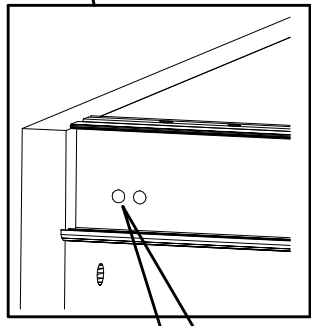
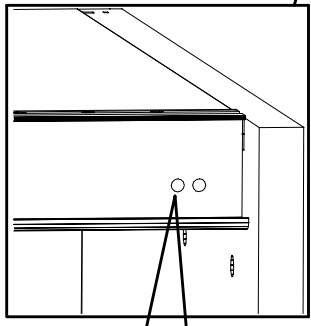
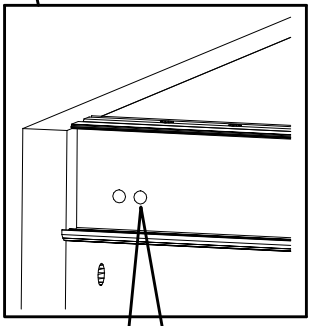
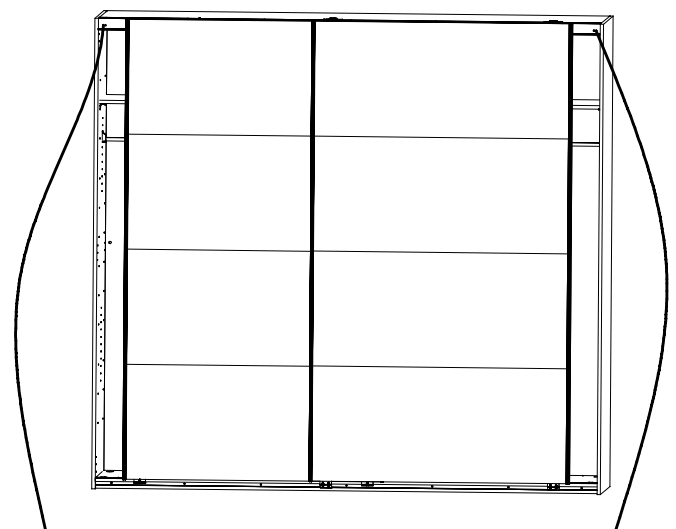
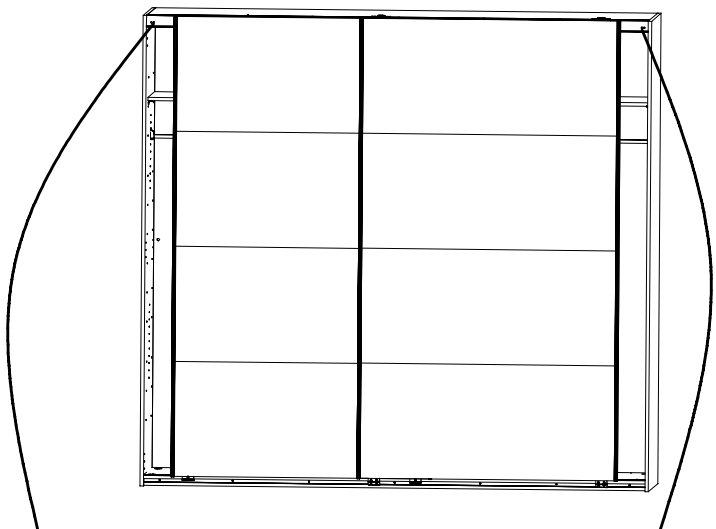
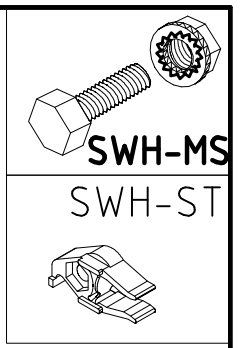
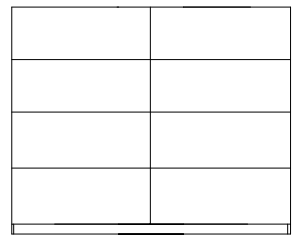
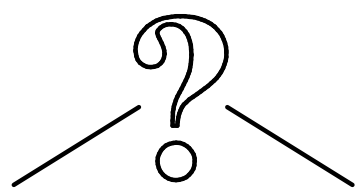
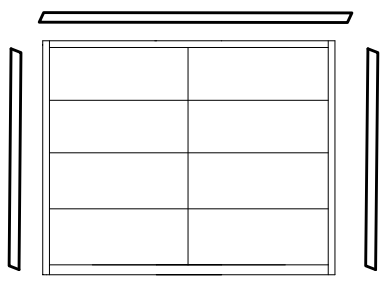


IV.



V.





21

