

ASSEMBLY INSTRUCTIONS

Read this instruction carefully. See hardware and Furniture part list for guidance.
 Be sure all parts are complete, before you assemble. Pace all wooden prevent from being scratched.
 Follow the figure to start assembling.

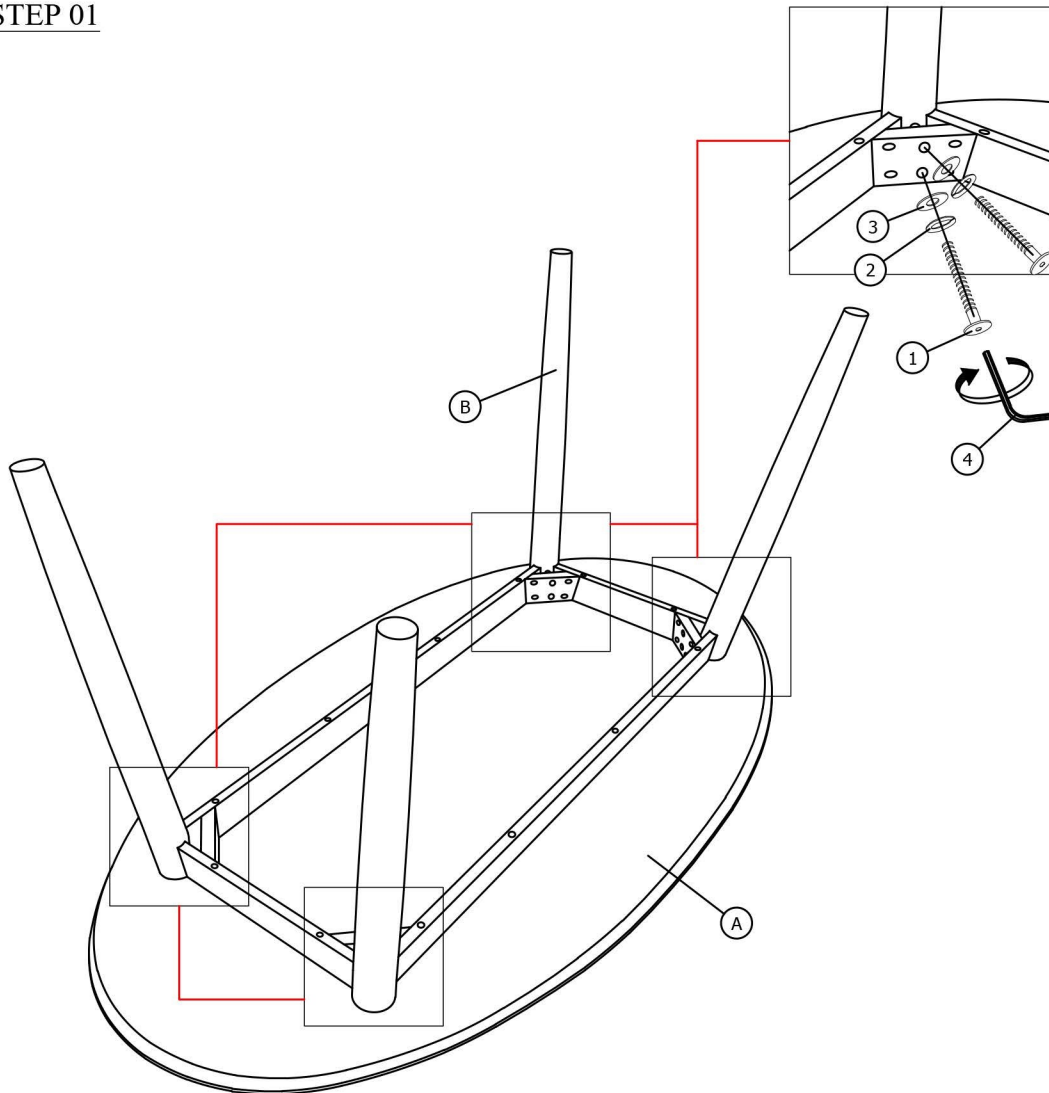
CAUTIONS: 1. Do not FULLY- TIGHTEN the nut or bolt until all nut and bolt is ready assembled.
 2. Do not OVER - TIGHTEN the nut or bolt avoid causing damages to the thread.
 3. Keep all hardware parts out of reach of children.

NOTE: THE LIST AND QUANTITY SHOWN ARE FOR 1 UNIT ASSEMBLY.

| PART LIST | | |
|-----------|----------------------|-------|
| ITEM | DESCRIPTION | QTY |
| A | TABLE TOP WITH APRON | 1 PC |
| B | TABLE LEG | 4 PCS |

| HARDWARE LIST | | |
|---------------|---|-------|
| ITEM | DESCRIPTION | QTY |
| 1 | JCBC SCREW M8 x 70mm  | 8 PCS |
| 2 | SPRING WASHER M8  | 8 PCS |
| 3 | FLAT WASHER M8 x 22mm  | 8 PCS |
| 4 | ALLEN KEY M5  | 1 PC |

STEP 01



STEP 02



FULLY SET-UP (TABLE)