

ASSEMBLY INSTRUCTIONS



Fine Furniture for every stage of life

Side Chair

ASSEMBLY INSTRUCTIONS

ASSEMBLY TIPS:

1. Remove hardware from box and sort by size.
2. Please check to see that all hardware and parts are present prior to start of assembly.
3. Please follow attached instructions in the same sequence as numbered to assure fast & easy assembly.



WARNING!

1. Don't attempt to repair or modify parts that are broken or defective. Please contact the store immediately.
2. This product is for home use only and not intended for commercial establishments.



ASSEMBLY TIME

15 MINUTES

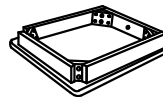
PARTS IDENTIFICATION

A BACK FRAME



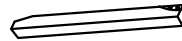
1PC

B SEAT CUSHION WITH FRAME



1PC

C FRONT LEG



2PCS

HARDWARE IDENTIFICATION

1 LONG BOLT
(Ø1/4" x 3" - RBW)



4PCS

2 MEDIUM BOLT
(Ø1/4" x 2-3/8" - RBW)



4PCS

3 SHORT BOLT
(Ø1/4" x 1-3/8" - RBW)



1PC

4 LOCK WASHER
(Ø5/16" - RBW)



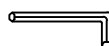
9PCS

5 FLAT WASHER
(Ø5/16" - RBW)



9PCS

6 ALLEN WRENCH
(M4 x 59mm - RBW)



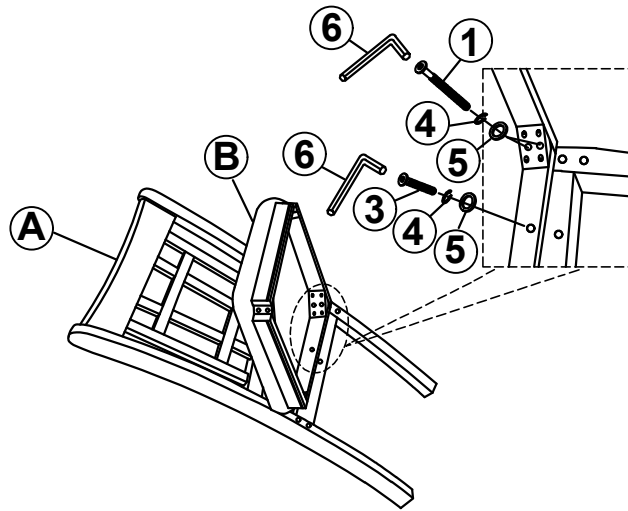
1PC

NOTE:

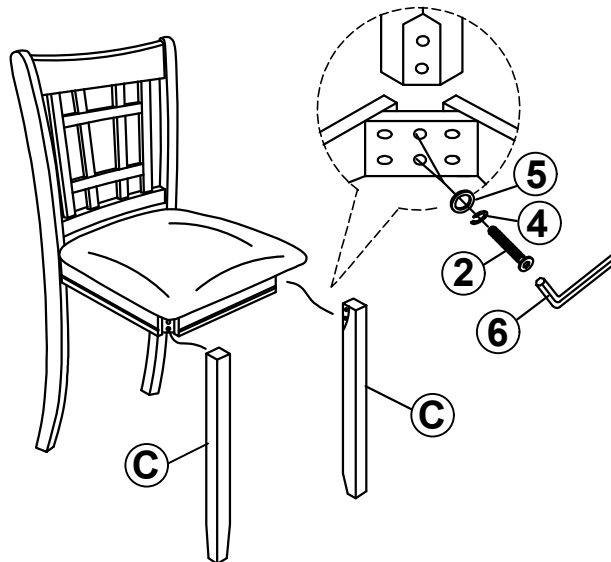
Quantities shown are for one chair.

ASSEMBLY INSTRUCTIONS

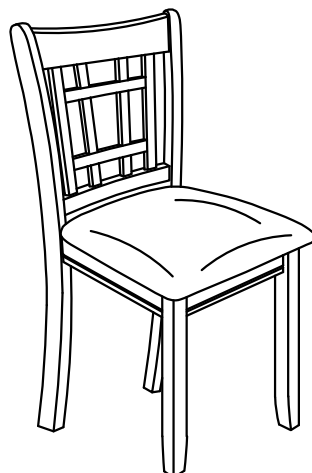
STEP 1

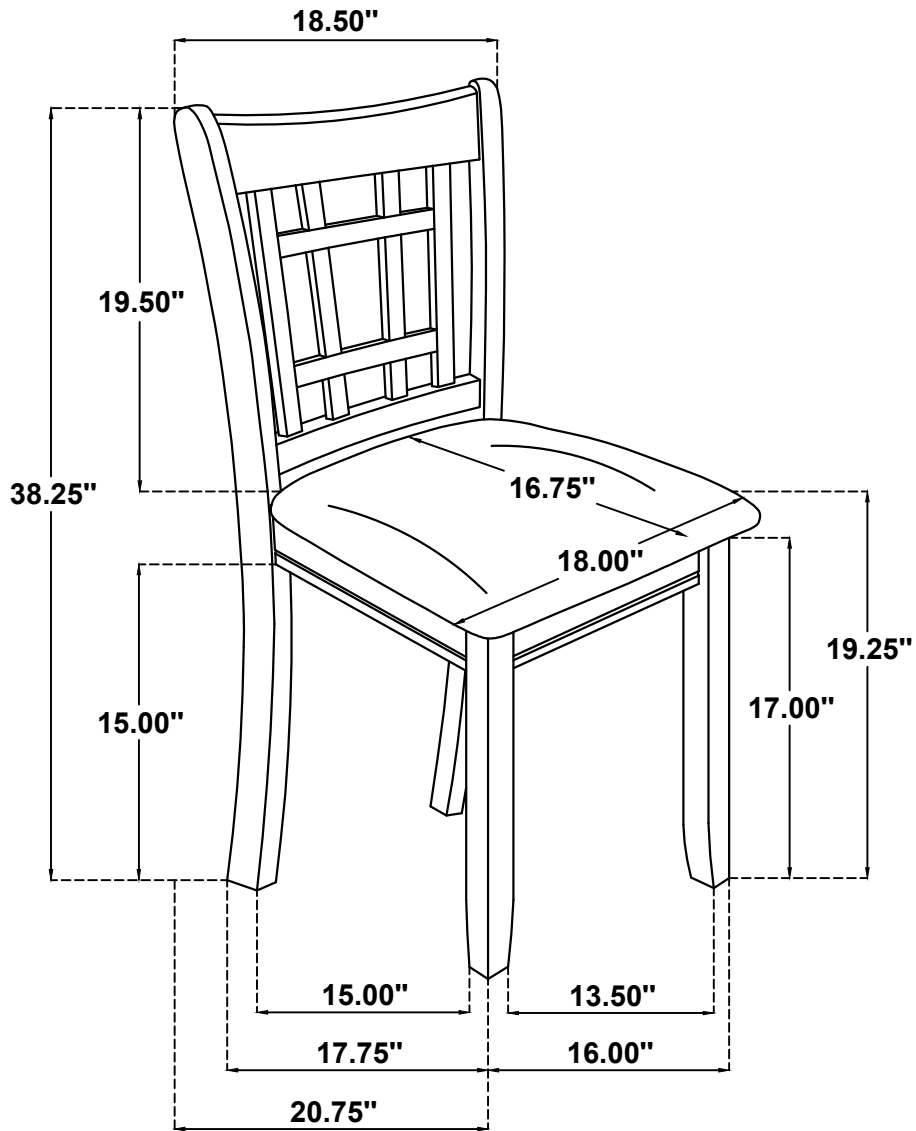


STEP 2



STEP 3 COMPLETE





Note: Dimension tolerance $\pm 5\%$