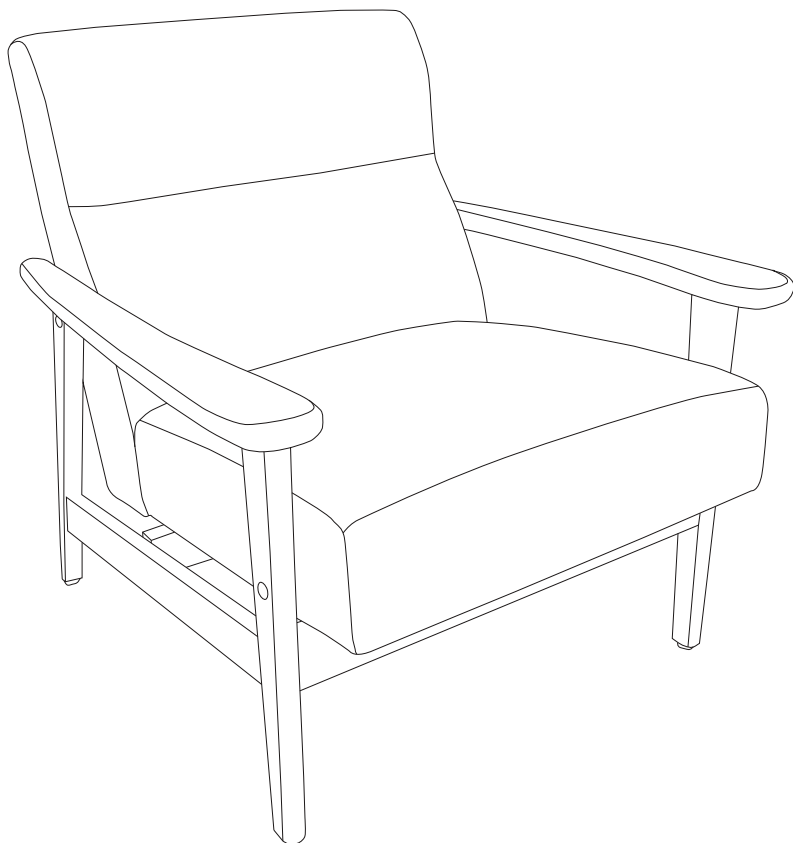
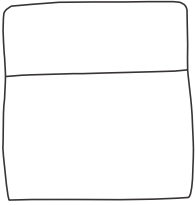


ASSEMBLY INSTRUCTIONS



SPARE PARTS



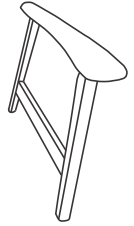
Ax1



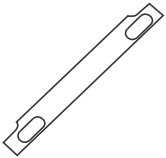
Bx1



Cx1



Dx1



Ex2



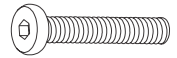
($\Phi 14.2+12$) *9MM

Fx4+1extra



$\phi 10 \times 40 \text{mm}$

Gx4+1extra



M6x45mm

Hx10+1extra



($\Phi 6+\Phi 10$) *2MM

Ix10+1extra



($\Phi 6+\Phi 12$) *1MM

Jx4+1extra



($\Phi 6+\Phi 18$) *1MM

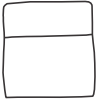
Kx6+1extra



M6

Lx1

2



Ax1



Bx1



Hx2



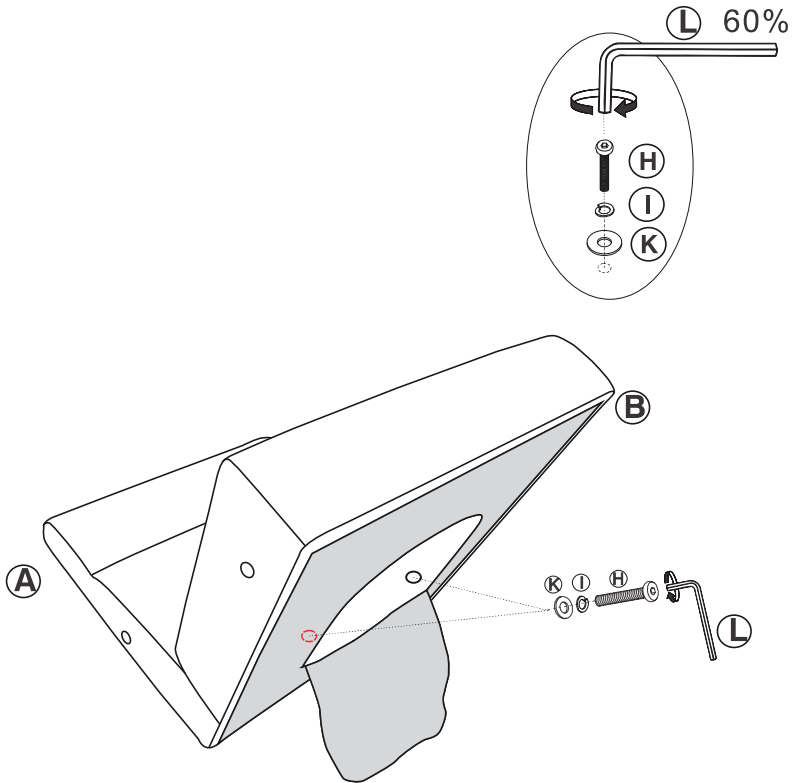
($\Phi 6+\Phi 10$) *2MM

Ix2

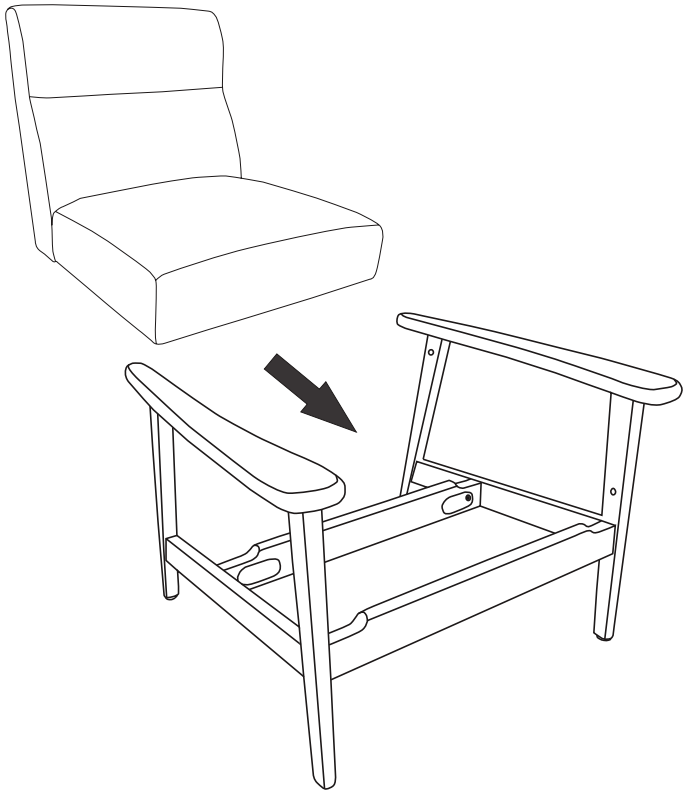


($\Phi 6+\Phi 18$) *1MM

Kx2



3





($\Phi 14.2+\Phi 12$) *9MM

Fx4



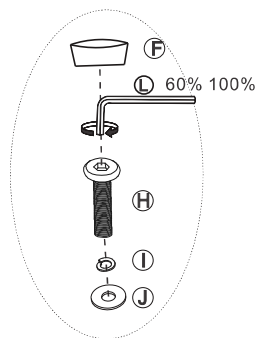
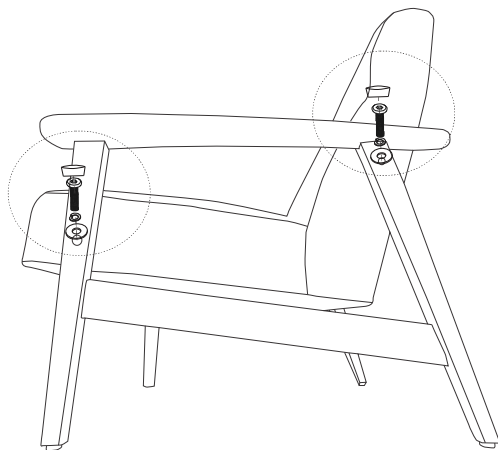
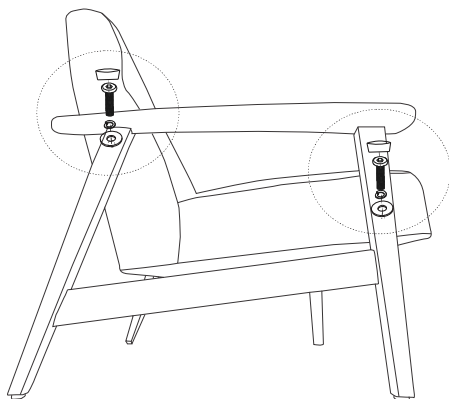
($\Phi 6+\Phi 10$) *2MM

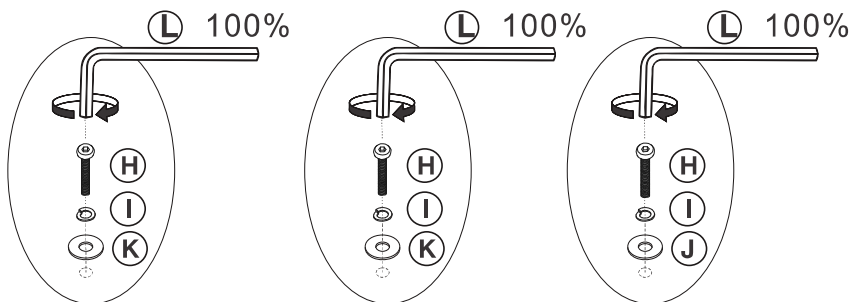
Ix4



($\Phi 6+\Phi 12$) *1MM

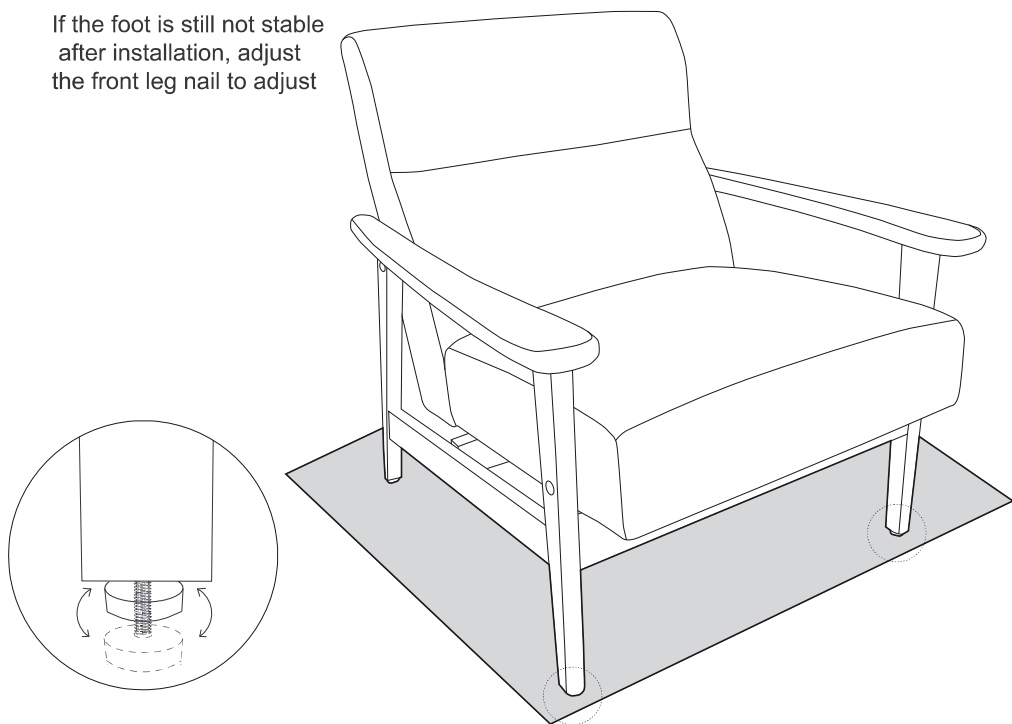
Jx4





Adjust to horizontal

If the foot is still not stable
after installation, adjust
the front leg nail to adjust



Front foot nails are adjustable, rear foot nails are not adjustable