



DESIGNED BY

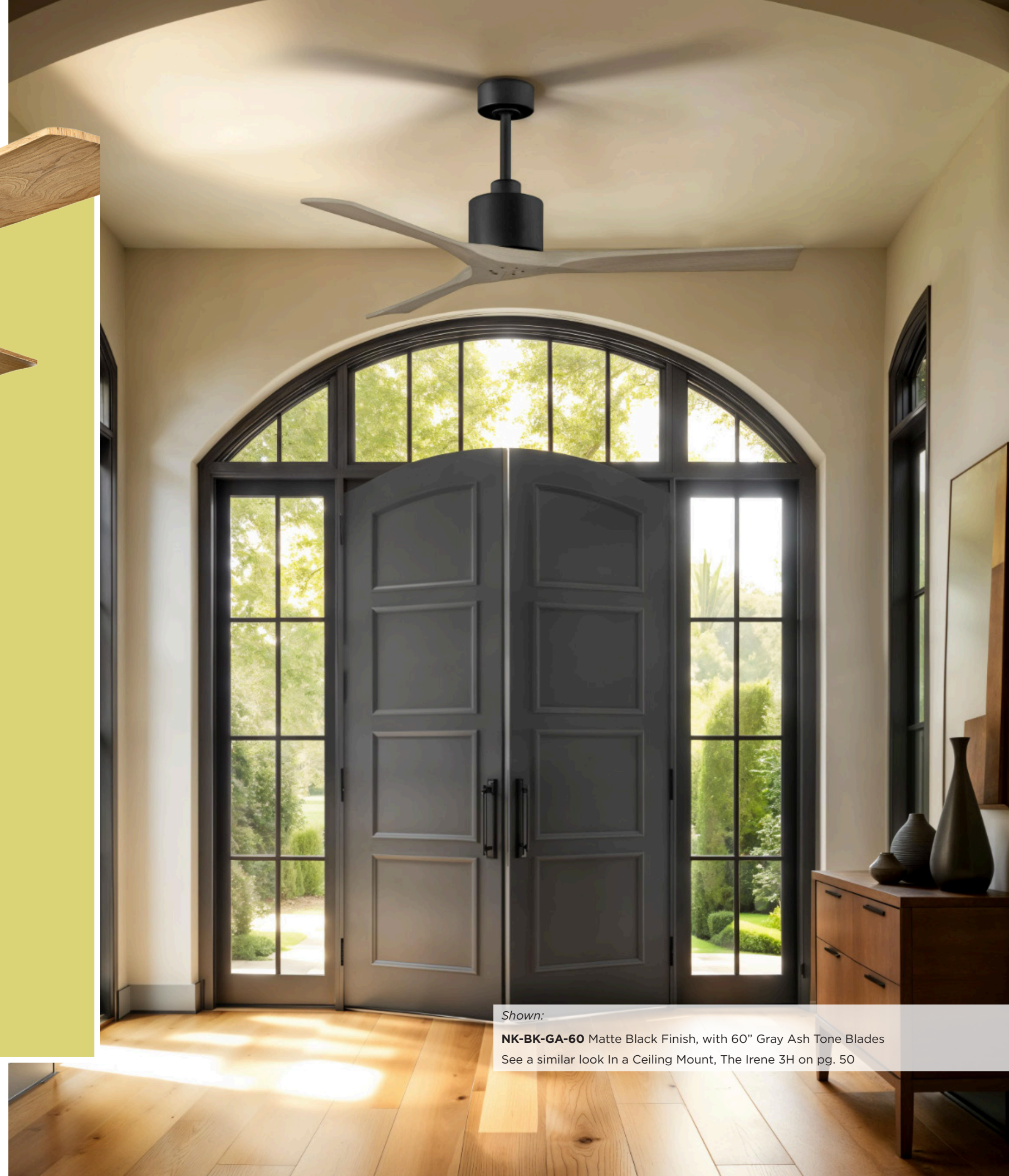
72 POSSIBLE VARIATIONS

STEPHEN KATZ, AIA

Nan

“Geometry In Motion” - Stephen Katz

Striking the perfect balance between form and function, Nan blends seamlessly into any space—whether a cozy living room, a sophisticated dining area, or a stylish office. Its presence is subtle yet refined, offering just the right amount of modern charm for any setting, from casual retreats to formal interiors. With fully adjustable motor speeds, Nan delivers the perfect breeze for any season, making comfort effortless. Thoughtfully designed to feel like a natural extension of your space, it enhances the ambiance with both beauty and performance. For grander rooms, the Nan XL offers the same timeless elegance on a larger scale.



Shown:

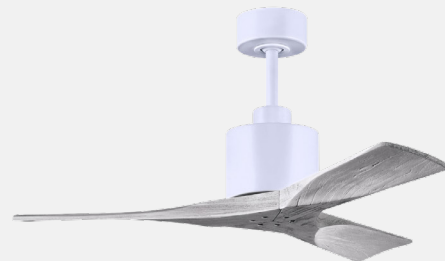
NK-BK-GA-60 Matte Black Finish, with 60” Gray Ash Tone Blades
See a similar look In a Ceiling Mount, The Irene 3H on pg. 50



Shown:
NK-BK-WA-60 Matte Black Finish, with 60" Walnut Tone Blades



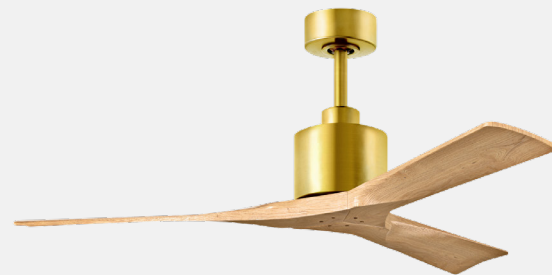
NK-BRBR-BK-42
 Brushed Brass Finish,
 with 42" Matte Black Blades



NK-MWH-BW-42
 Matte White Finish,
 with 42" Barn Wood Tone Blades



NK-BK-BK-52
 Matte Black Finish,
 with 52" Matte Black Blades



NK-BRBR-LM-52
 Brushed Brass Finish,
 with 52" Light Maple Tone Blades



NK-TB-BK-60
 Textured Bronze Finish,
 with 60" Matte Black Blades



NK-MWH-GA-60
 Matte White Finish,
 with 60" Gray Ash Tone Blades

PRODUCT FEATURES

- DC Motor
- Silent Motor
- Handheld Remote
- 30° Slant Ceiling Canopy
- Wall Control
- Damp Location
- Unipack Shipping
- Optional 60° Slant Mount

FAN FEATURES

- Blades (3)**
 - 45° Blade Pitch
 - CNC Cut Solid Wood
- Overall Drop** 12 inches /30 cm
 +downrod length
- Fan Weight** 18 lbs
- Fan Diameter** inches: 42, 52 or 60
 centimeters: 107, 132 or 152
- Downrod Lengths**
 inches: 5, 10, 18, 24, 36, 48, 60, 72
 centimeters: 13, 25, 46, 61, 92, 122,
 153, 183
Field cuttable, Non-threaded
- Downrod Diameter** 1 inch
- Voltage** 110 or 220

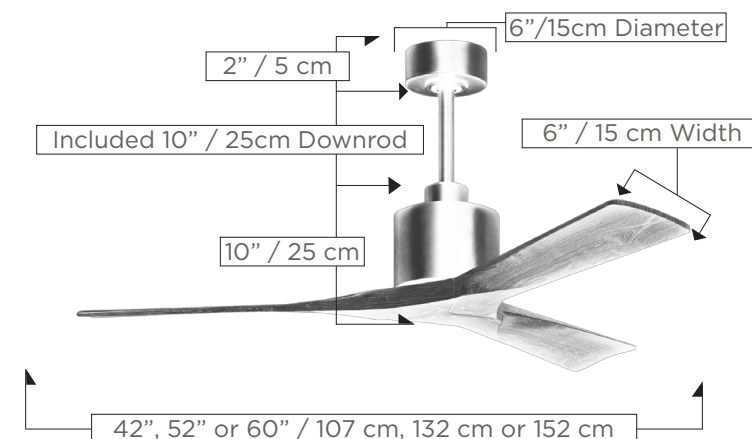
MOTOR FEATURES

- Motor Type** DC
- Ambience** Silent
- Safety Certification** ETL / CETL
- Warranty** Limited Lifetime

DOE MOTOR EFFICIENCY DATA

- RPM (Low/High)**
42in - 50 / 267
52in - 50 / 181
60in - 50 / 141
- CFM (Low/High)**
42in - 884 / 5281
52in - 1695 / 6723
60in - 2376 / 7063
- Watts (High)**
42in - 28.43
52in - 29.14
60in - 30.16
- CFM/Watt (High)**
42in - 175
52in - 231
60in - 248

TECHNICAL SPECIFICATIONS



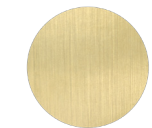
SKU BUILDER

NK-XXXX-XXX-XX
 (Model+Finish+Blade+Diameter)

FAN FINISHES

72 POSSIBLE VARIATIONS

Fan Finishes **Blade Finishes**
 No Light Kit 42" 52" 60"



BRBR
 Brushed Brass



BK
 Matte Black



MWH
 Matte White



TB
 Textured Bronze



BW
 Barn Wood Tone



GA
 Gray Ash Tone



LM
 Light Maple Tone



BK
 Matte Black



MWH
 Matte White



WA
 Walnut Tone

STANDARD EQUIPMENT

Downrod 10in / 25cm
Slant Ceiling Canopy 30°



- Handheld Remote**
- 6 Speed
 - Motor Off
 - Reverse



- Wireless Wall Control**
- 6 Speed
 - Motor Off
 - Reverse

**For more information see accessory page. 132*