

INSTRUCTION MANUAL ENCLOSED

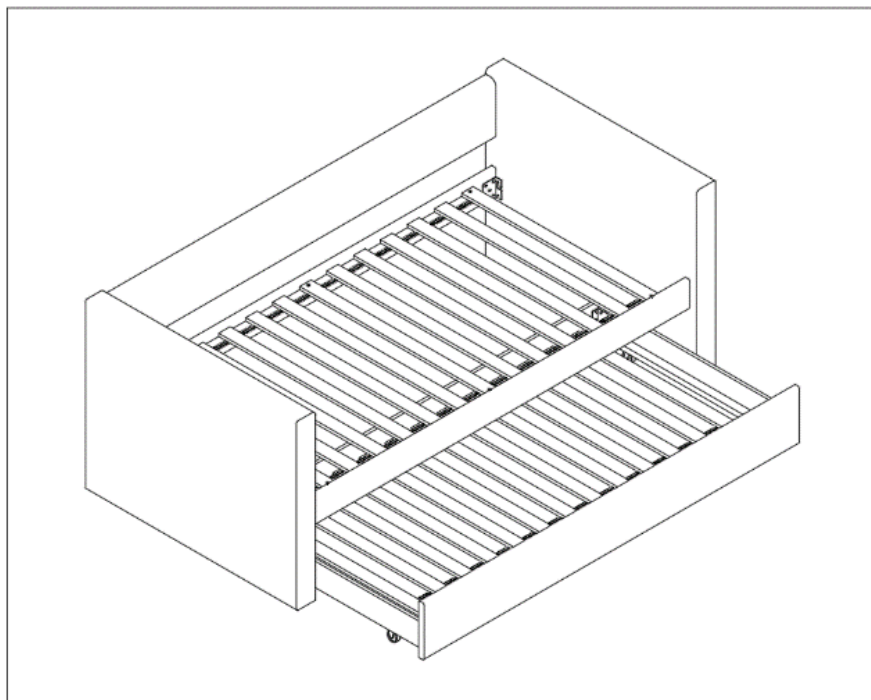
ATTENTION

IF YOU HAVE ANY PROBLEMS OR QUESTIONS, EMAIL OR CALL CUSTOMER SERVICE BEFORE YOU RETURN THIS PRODUCT TO THE STORE WHERE IT WAS PURCHASED.

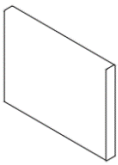
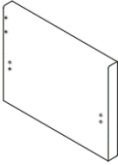
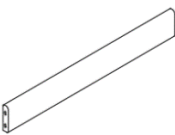

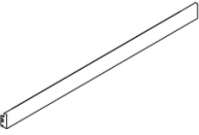
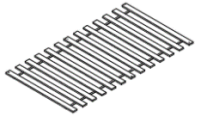

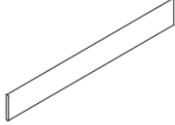
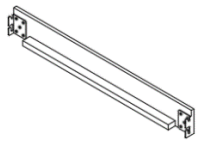

****When emailing Customer Service, please include your **Order Number** and **platform of purchase** in the email subject for quicker assistance.**

INSTRUCTION MANUAL ENCLOSED

DAY BED ASSEMBLY INSTRUCTION









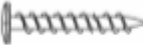
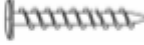


Part	PARTS LIST Description	Quantity
	<i>PARTS</i>	
A	LEFT SIDE PANEL	1
B	RIGHT SIDE PANEL	1
C	BACK PANEL	1
D	BACK RAIL	1
E	FRONT RAIL	1
F	ROLL SLAT (2 SETS)	2
G	TRUNDLE BACK PANEL	1
H	TRUNDLE FRONT PANEL	1
I	TRUNDLE SIDE PANEL WITH CASTER	2
J	WHELLS	4

A  x1	B  x1	C  x1	D  x1	E  x1
F  x2 SETS	G  x1	H  x1	I  x2	J  x4

HARDWARE LIST

Part	Description	Quantity
PARTS		
1	SHORT BOLT (Ø 5/16"X20mm)	8
2	BOLT (Ø 5/16"X32mm)	8
3	FULL-THREAD BOLT (Ø 5/16"X80mm)	8
4	FLAT WASHER (Ø 5/16)	20
5	SPRING WASHER (Ø 5/16)	16
6	FULL-THREAD BOLT (16mmx13mmx13mm)	4
7	OPEN WRENCH (12mm)	1
8	ALLEN WRENCH	1
9	SCREW (M4x30mm)	12
10	SCREW (M4x15mm)	16

1  x8 Ø 5/16"X20mm	2  x8 Ø 5/16"X32mm	3  x4 Ø 5/16"X80mm	4  x20 Ø 5/16	5  x16 Ø 5/16
6  x4 16X13X13mm	7  x1 12mm	8  x1	9  x12 M4X30mm	10  x16 M4X15mm

PLEASE READ AND FOLLOW ALL SAFETY TIPS

GETTING STARTED

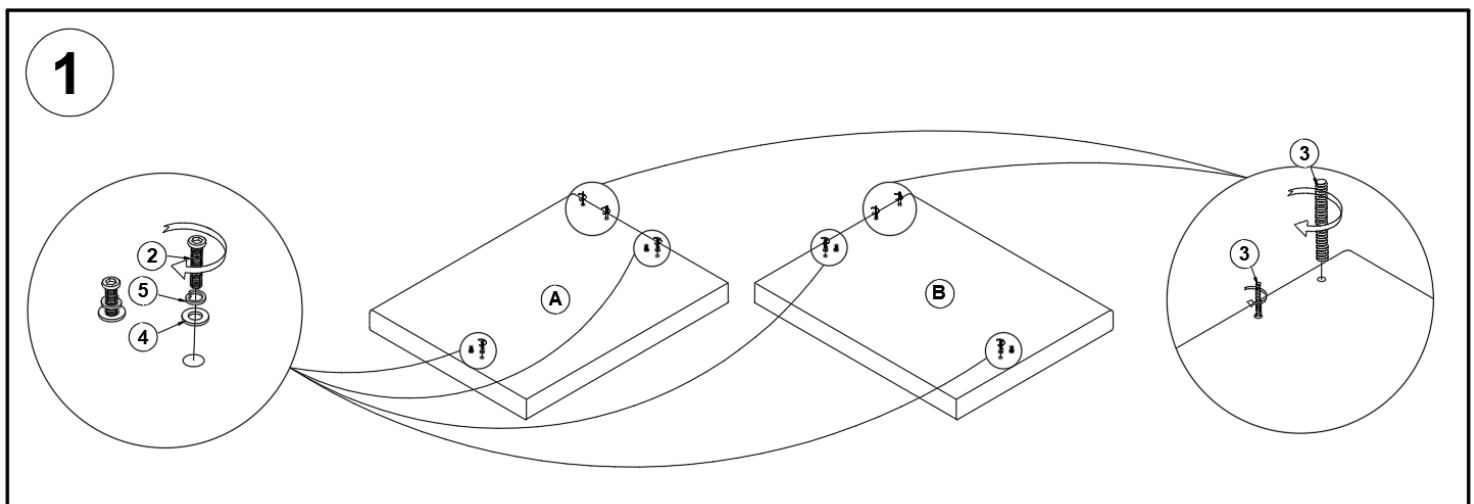
1. Before assembly, CAREFULLY use scissors or utility knife to cut and unwrap all parts. Make sure you do not discard the hardware.
2. Make sure that you have all the parts listed. If you are missing any parts, please email us. Please identify the parts you need and model number. Make sure to include your name and address.
3. Please include your **Order Number** and **platform of purchase** in the email subject, and one of our customer service representative will get back to you.

Warm Tips:

1. The plastic covers on some metal parts are just for product protection. Please remove it before assembly.
2. Please follow the sequence of AI during assembly.
3. Do not tighten the screws until all of them are in right positions.

1. Place LEFT SIDE PANEL (A), RIGHT SIDE PANEL on a flat surface. Use BOLT (2), FLAT WASHER (4), SPRING WASHER (5), FULL-THREAD BOLT (3) and ALLEN WRENCH (8) to tighten. (photo 1)

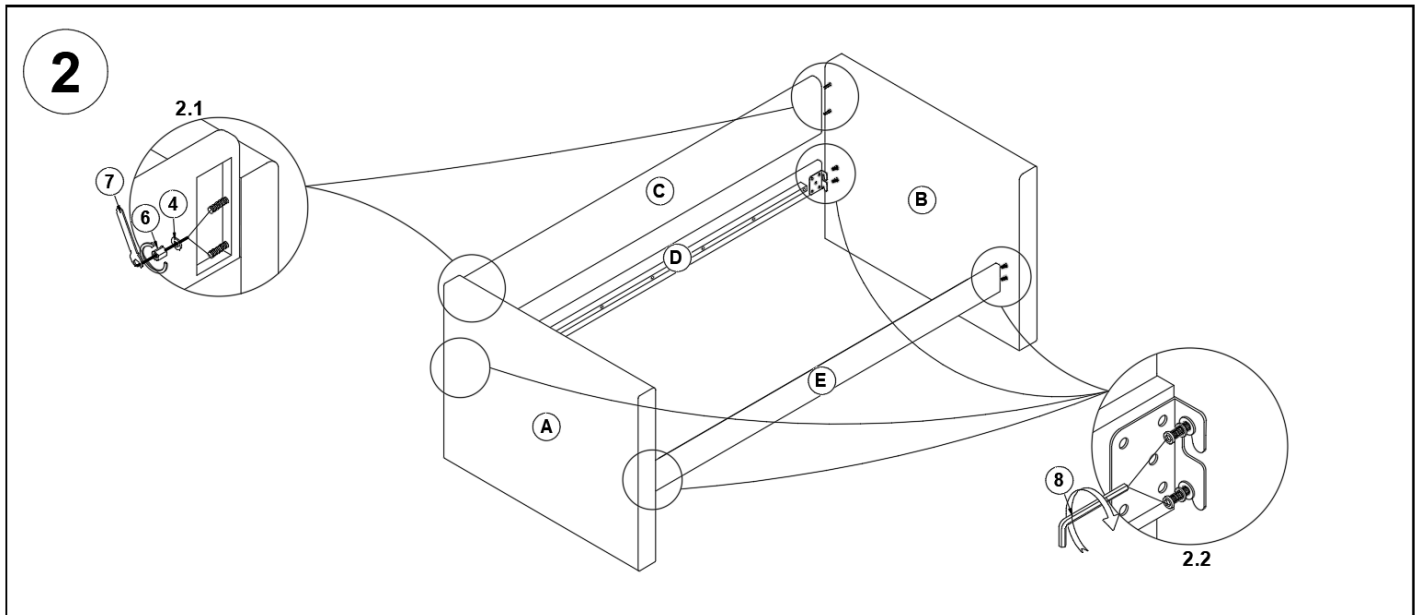
NOTE: Only rotate the bolt 50%.



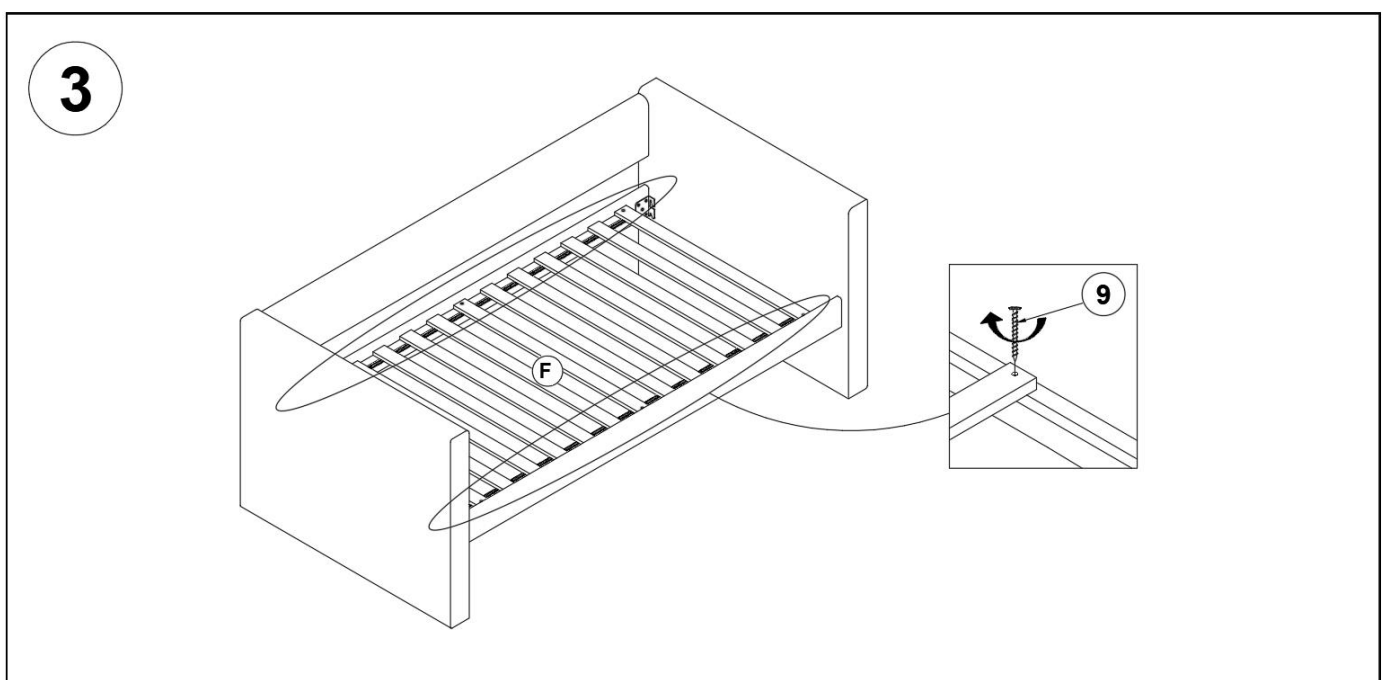
2. 2.1 Install BACK PANEL (D) to SIDE PANEL (A), (B) using FLAT WASHER (4), FULL-THREAD BOLT (6) and tighten them using OPEN WRENCH (7). (photo 2)

2.2 Install BACK RAIL (D), FRONTM RAIL (E) to SIDE PANEL (A), (B) by using ALLEN WRENCH (8) to tighten. (photo 2)

NOTE: This time, remember to tighten all BOLTS.

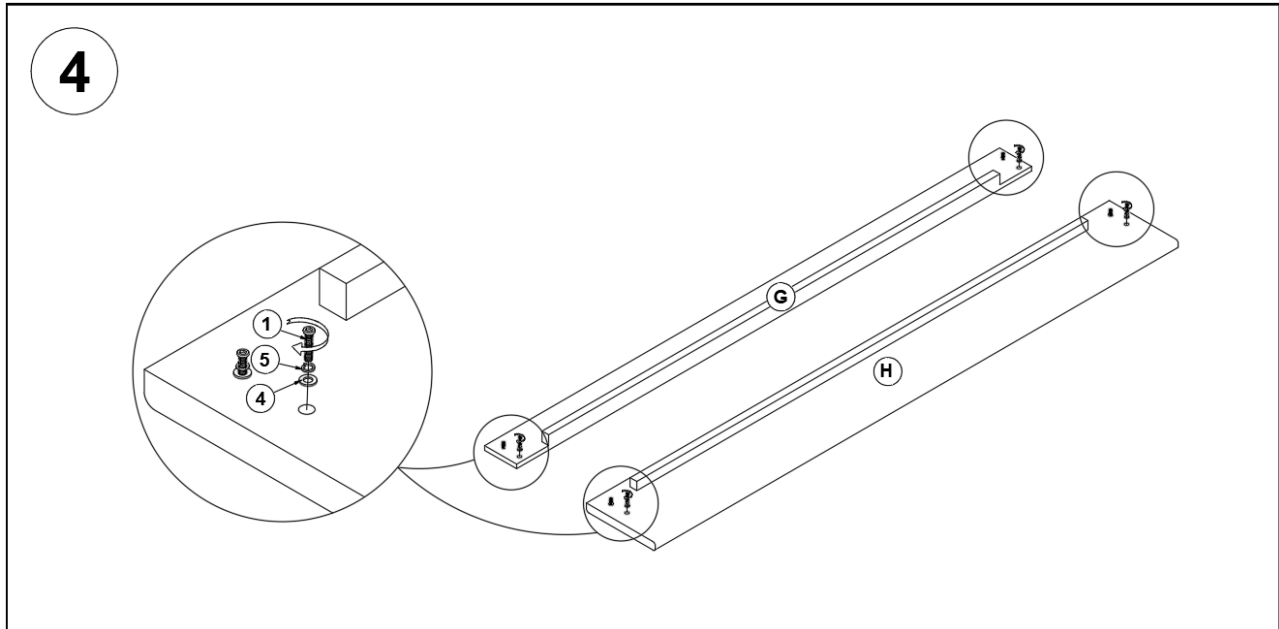


3. Place the ROLL SLAT (F) onto the BACK RAIL (D) and FRONT RAIL (E). Tighten them using the SCREW (9). (photo 3)



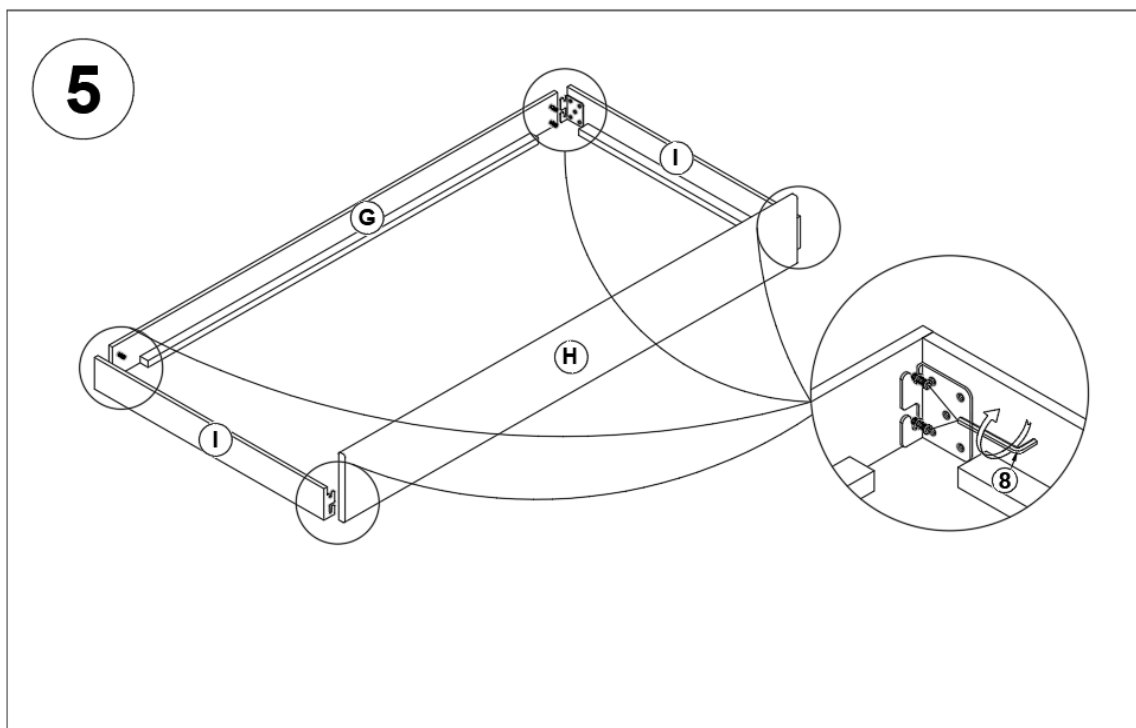
4. Place the TRUNDLE BACK PANEL (G), TRUNDLE FRONT PANEL (H) on a flat surface. Then using the BOLT (1), FALT WASHER (4) and SPRING WASHER (5), rotate them using the ALLEN WRENCH (8). (photo 4)

NOTE: Only tighten them 50%.

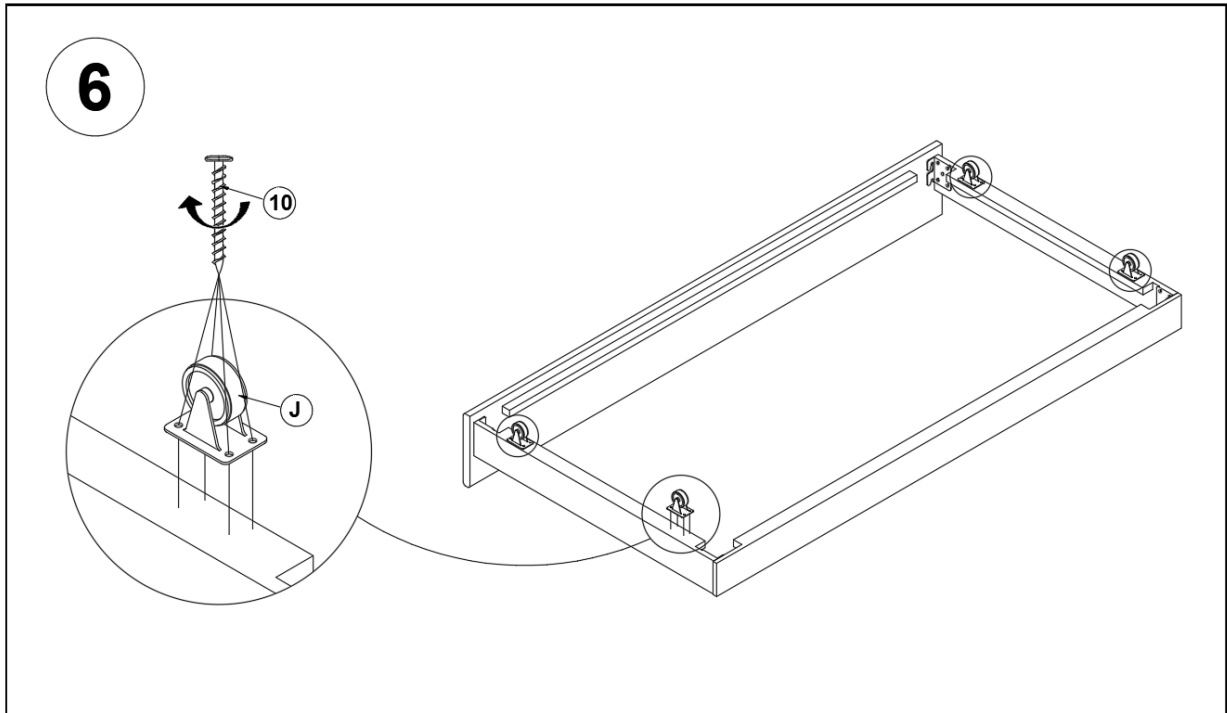


5. Install the TRUNDLE SIDE PANEL WITH CASTER (I) onto the TRUNDLE BACK PANEL (G) and TRUNDLE FRONT PANEL (H) using the ALLEN WRENCH (8) to tighten them. (photo 5)

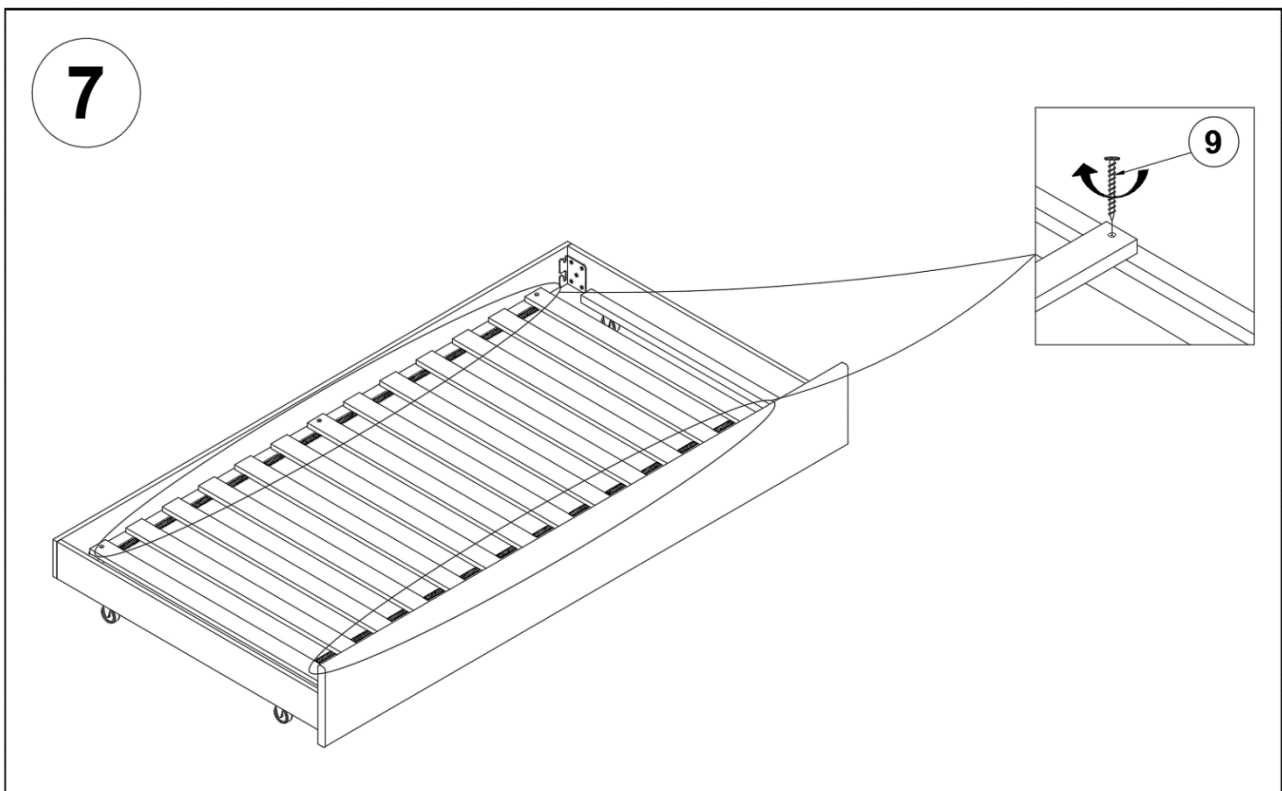
NOTE: Remember to tighten all the BOLTS this time.

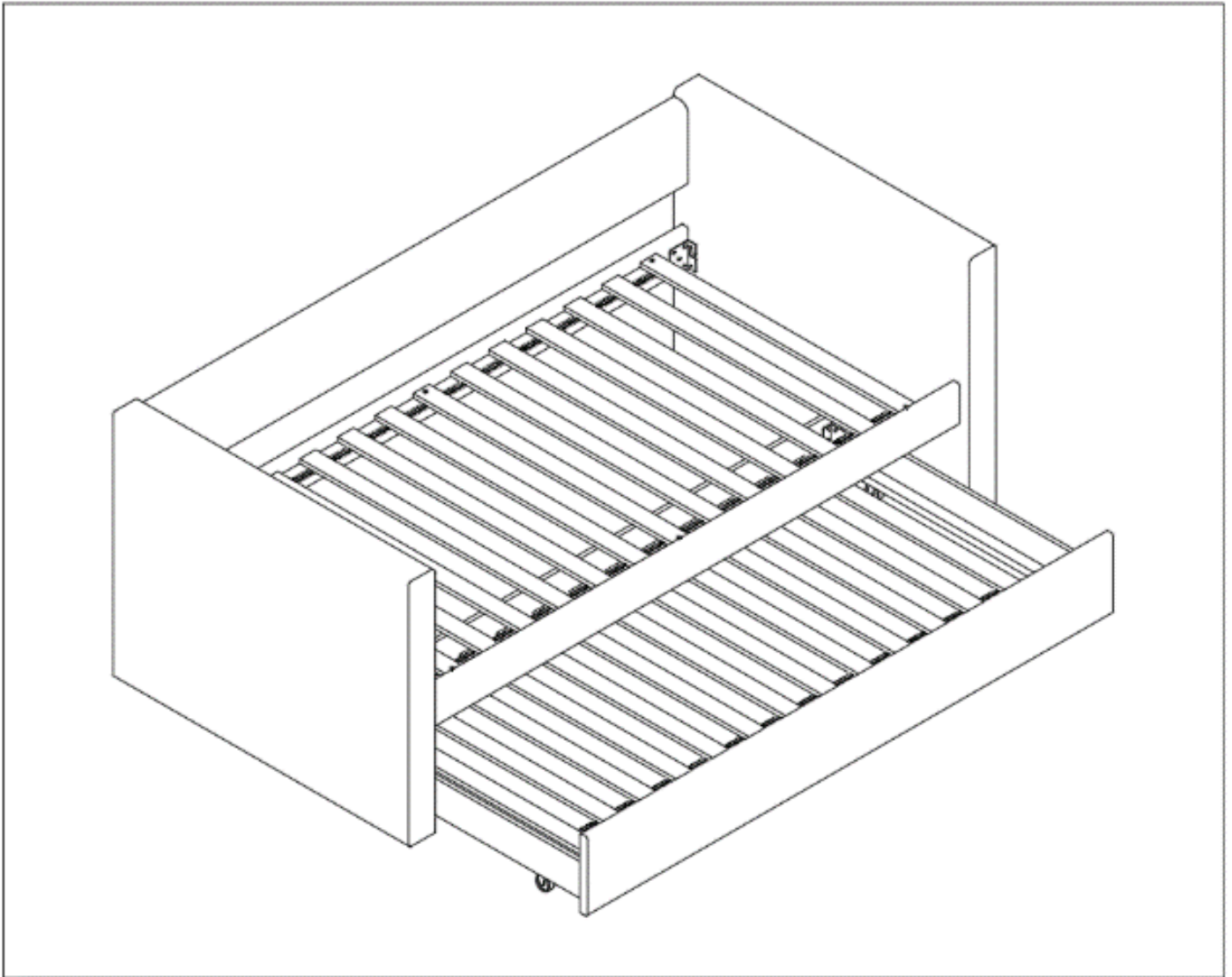


6. Install the WHELLS (J) onto the TRUNDLE SIDE PANEL WITH CASTER using the SCREW (10) to tighten them. (photo 6)



7. Place the ROLL SLAT (F) onto the TRUNDLE BACK PANEL (G) and TRUNDLE FRONT PANEL (H). Tighten them using the SCREW (9). (photo 7)





You have completed assembling the furniture – enjoy!