

# ASSEMBLY INSTRUCTIONS

**Important: Retain this instruction for future reference:**

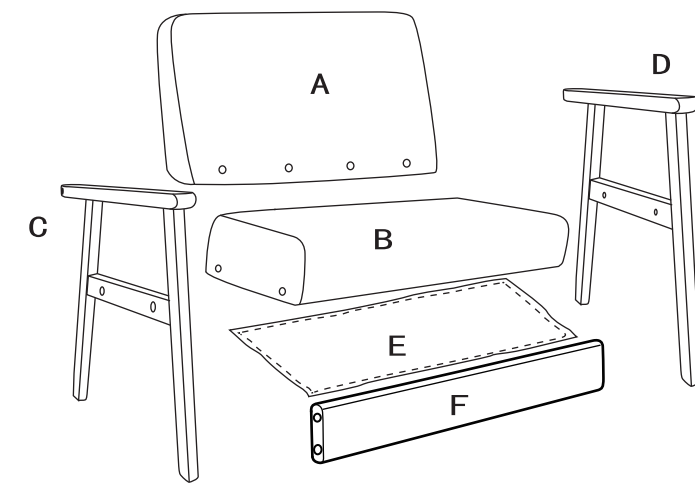
**Read carefully before assembling.**

Product to be assembled. Position in a stable way on a flat ground. Maximum recommended load: 200kg.

Check the fastening devices regularly. We decline all responsibility in the event of incorrect use, assembly, or adverse weather conditions.

Class of use: domestic.

A	X1	B	X1	C	X1	D	X1
E	X1	F	X1				
G	x4	H	x15	I	x4	J	x9
K	x15	L	x6	M	x1	N	x1



**1**

H x4 J x4 K x4 N x1

**2**

H x4 J x4 K x4 I x4 M x1 N x1

**3**

H x2 K x2 N x1

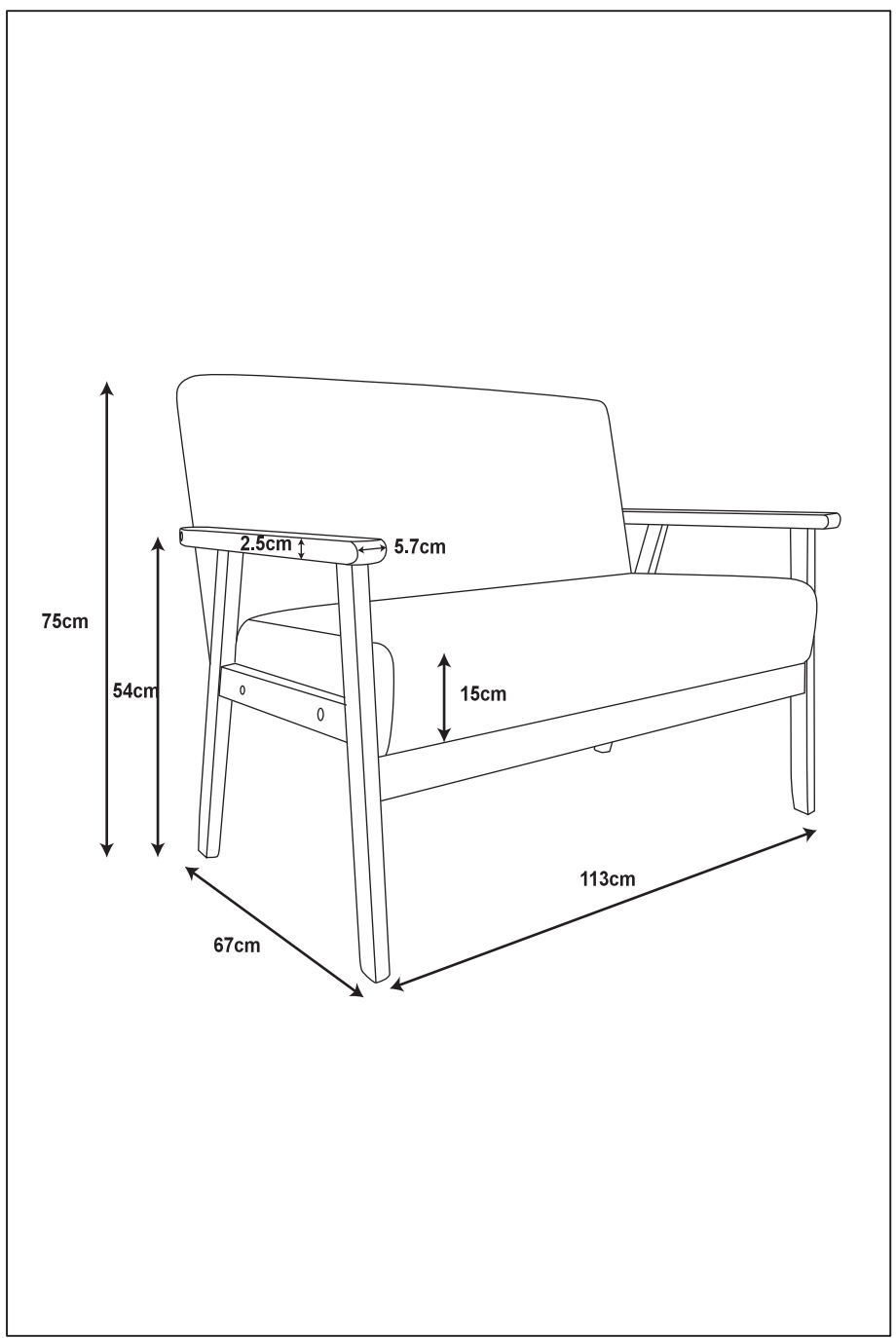
**4**

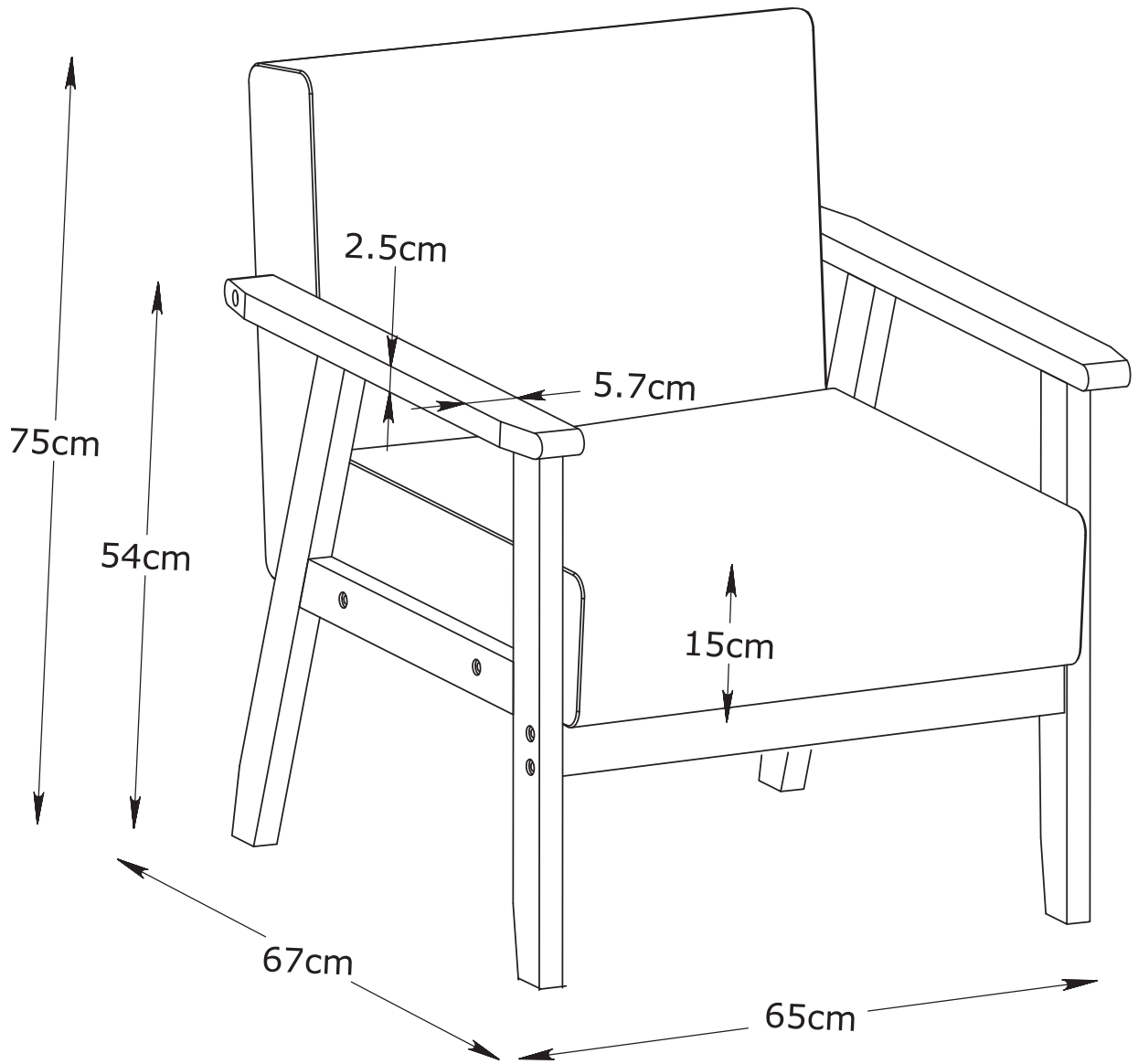
**5**

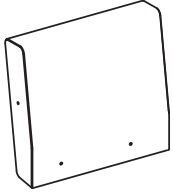
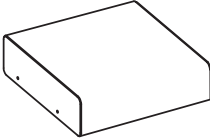
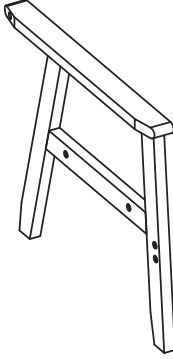
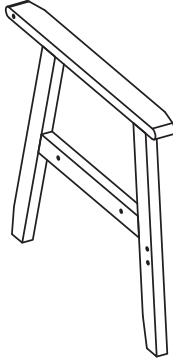
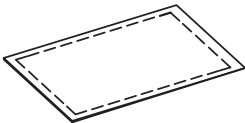



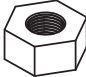





H x4 G x4 K x4 N x1



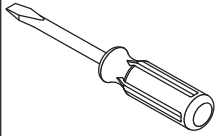
**6**

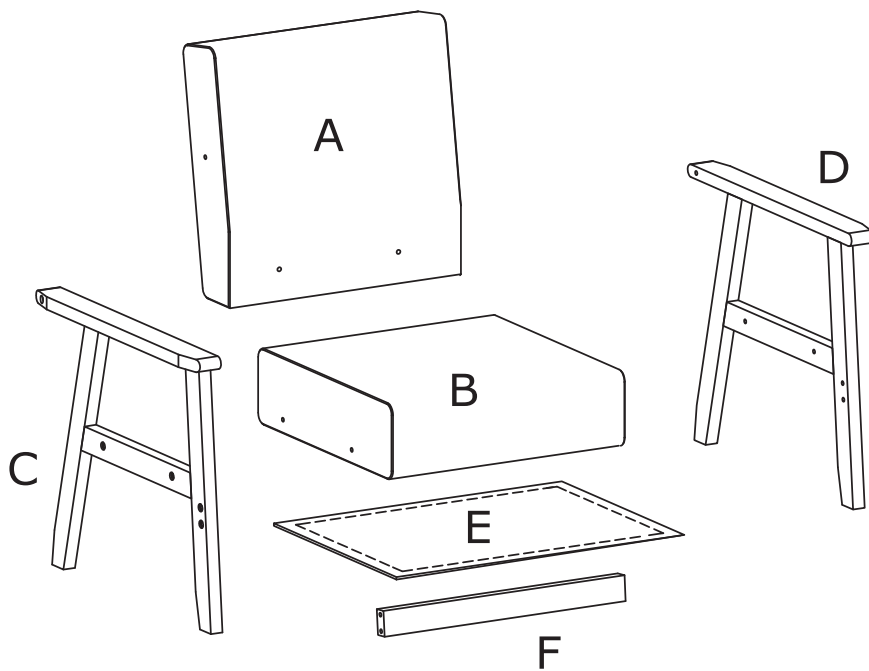
L x4



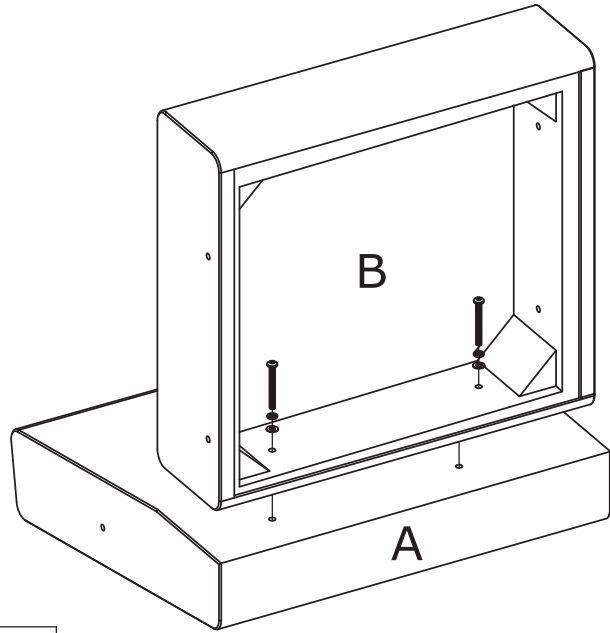
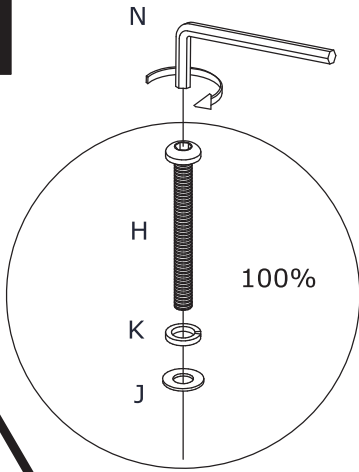


A		x1		B		x1		C		x1		D		x1																	
																															
E		x1		F		x1																									
																															
G		x4		H		x12		I		x4		J		x2		K		x12		L		x4		M		x1		N		x1	
		 M8x60																													


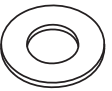


	<b>40MIN</b>		
---	--------------	---	---



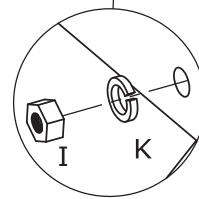
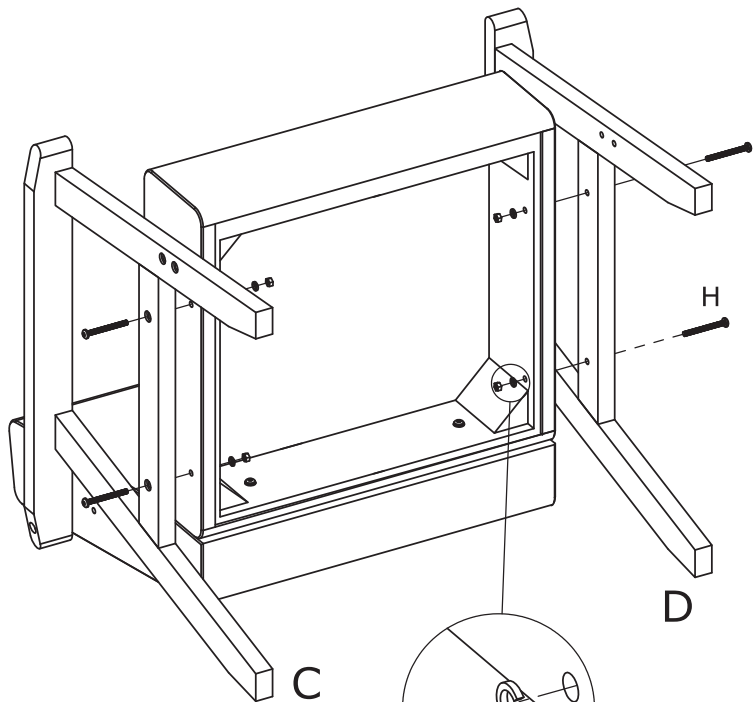
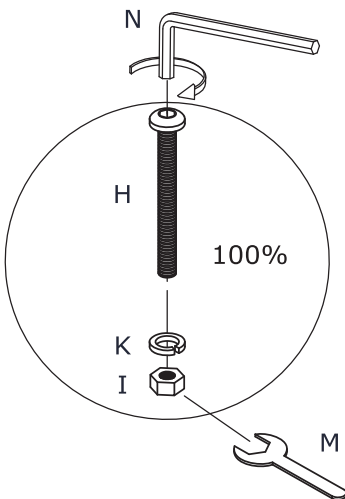
# 1



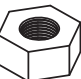




1. Insert 4 sets hardware into position first.
2. Tighten them in the same time then.

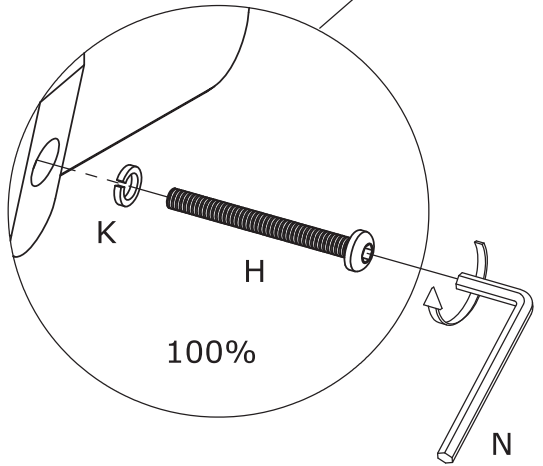
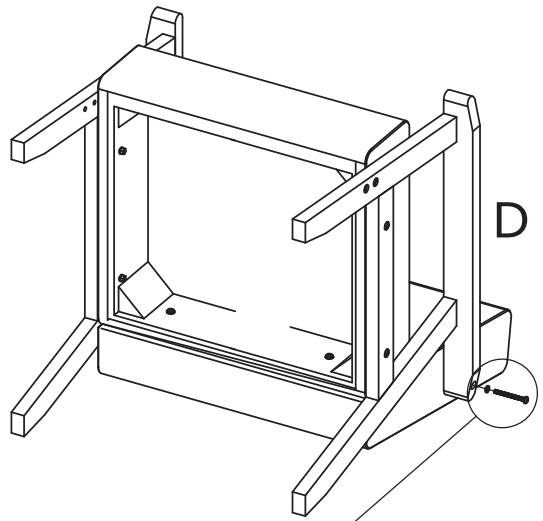
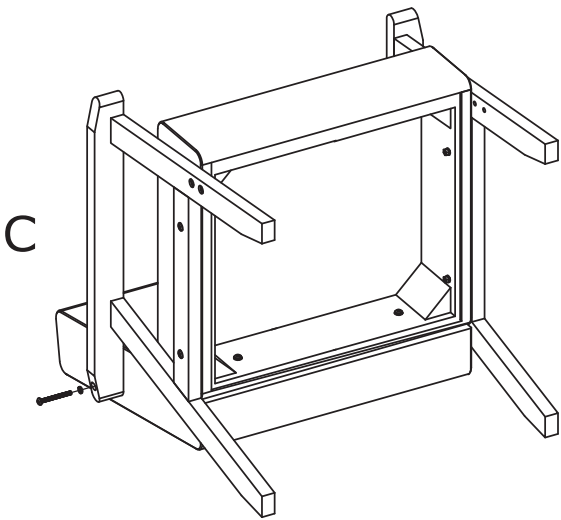
H	x2	J	x2	K	x2	N	x1
							




# 2



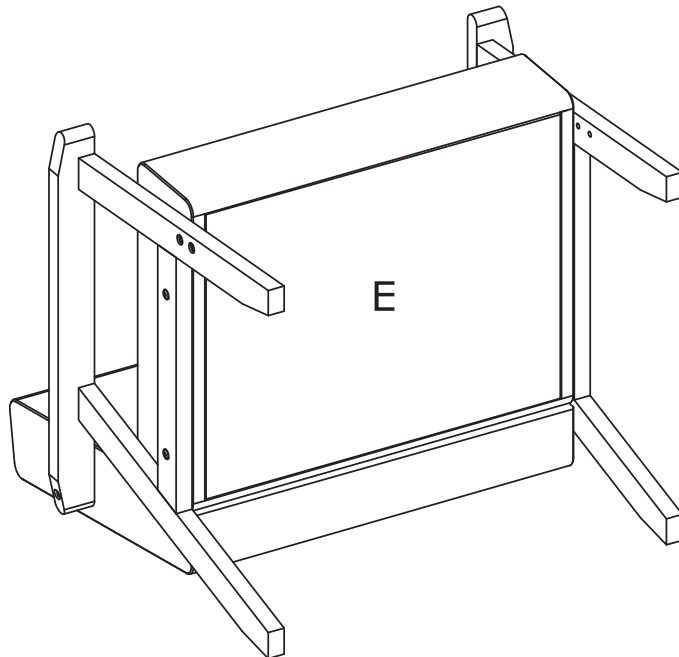
H	x4	K	x4	I	x4	M	x1	N	x1
									

3

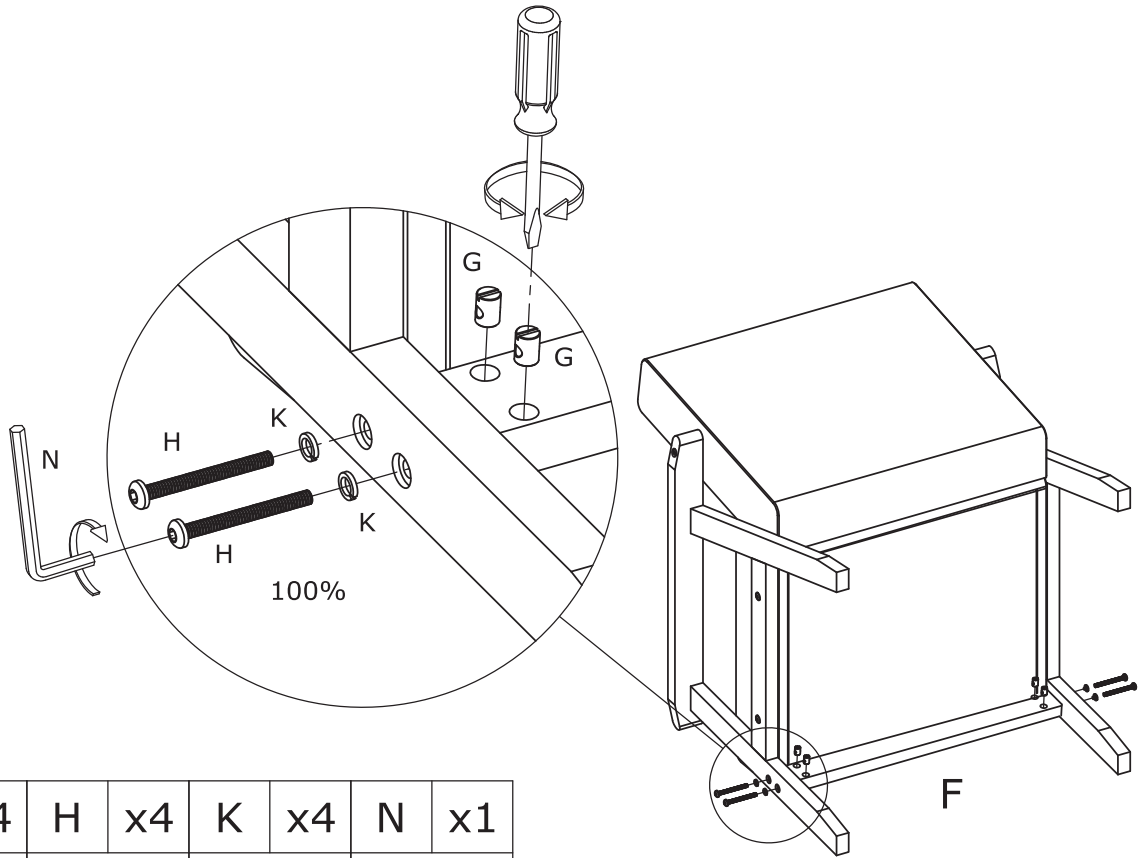


H	x2	K	x2	N	x1
					
M8x60					

4

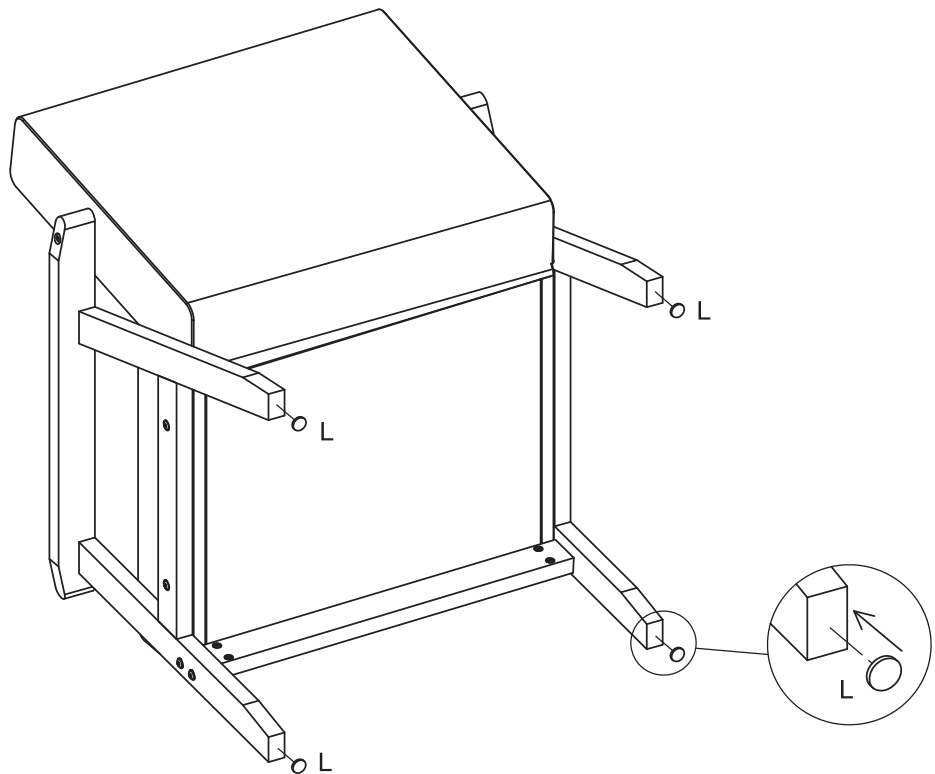


5



G	x4	H	x4	K	x4	N	x1

6


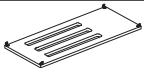



L	x4


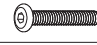




# ASSEMBLY INSTRUCTIONS

## COFFEE TABLE

### PARTS LIST

No.	DESCRIPTION	SKETCH	Q'TY
A	TOP FRAME		1PC
B	SHELF		1PC
C	LEGS		4PCS

### HARDWARE LIST

NO.	DESCRIPTION	SKETCH	Q'TY
1	BOLT Ø1/4"x5/8"		4PCS
2	BOLT Ø1/4"x2-1/2"		8PCS
3	LOCK WASHER 1/4 "		12PCS
4	FLAT WASHER 1/4"x16mm		4PCS
5	FLAT WASHER 1/4"x19mm		8PCS
6	WRENCH 4MM		1PC

