

## 6-Light Glass Drum Pendant Light

**Caution:** Please turn off power before installation and read the manual carefully, we advise you contact professional electricians to install for safety purpose.

### Product Features

Style: Modern/Contemporary

Material: Metal, Glass

Color: Black

Base Type: E12

Light Source Included: No

Voltage: 110VAC

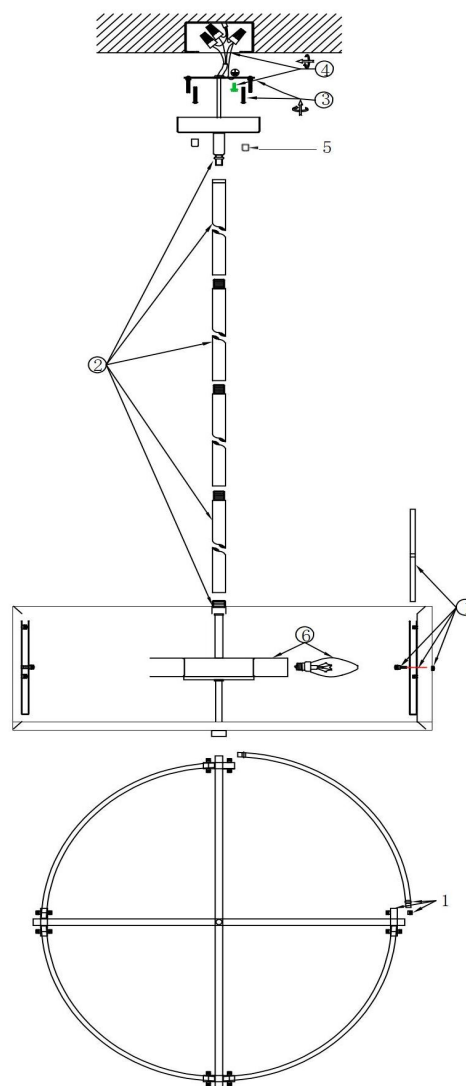
Wattage: 40W

### Package includes

1 x Pendant Light

1 x Accessories Kit

1 x User's Manual



### Installation Instructions

1. Install the curved glass shades into the metal piece of the frame (as shown in the picture), and secure them by the nuts.
2. Pass the wire through the hanging rod and tighten the hanging rod, and then secure the ceiling plate onto the rod.
3. Install the hanging plate to the junction box.
4. Connect the fixture wire to the wires reserved in the junction box using wiring caps. Be careful not to expose the wire to prevent leakage. Wrapped with electrical tape, and carefully inserted into the junction box. Fix the ground wire and the ground wire of the fixture on the hanging plate with green screw.
5. Cover the ceiling plate on the hanging plate by aligning the holes, and then tighten the nuts to fix the ceiling plate.
6. Install the E12 bulb. (not included)

**Note:** please use this product accordingly to its intended purpose, do not retrofit or remodeling the product. The warranty does not cover if the failure is caused by the third party product, or natural disasters.

Made in China