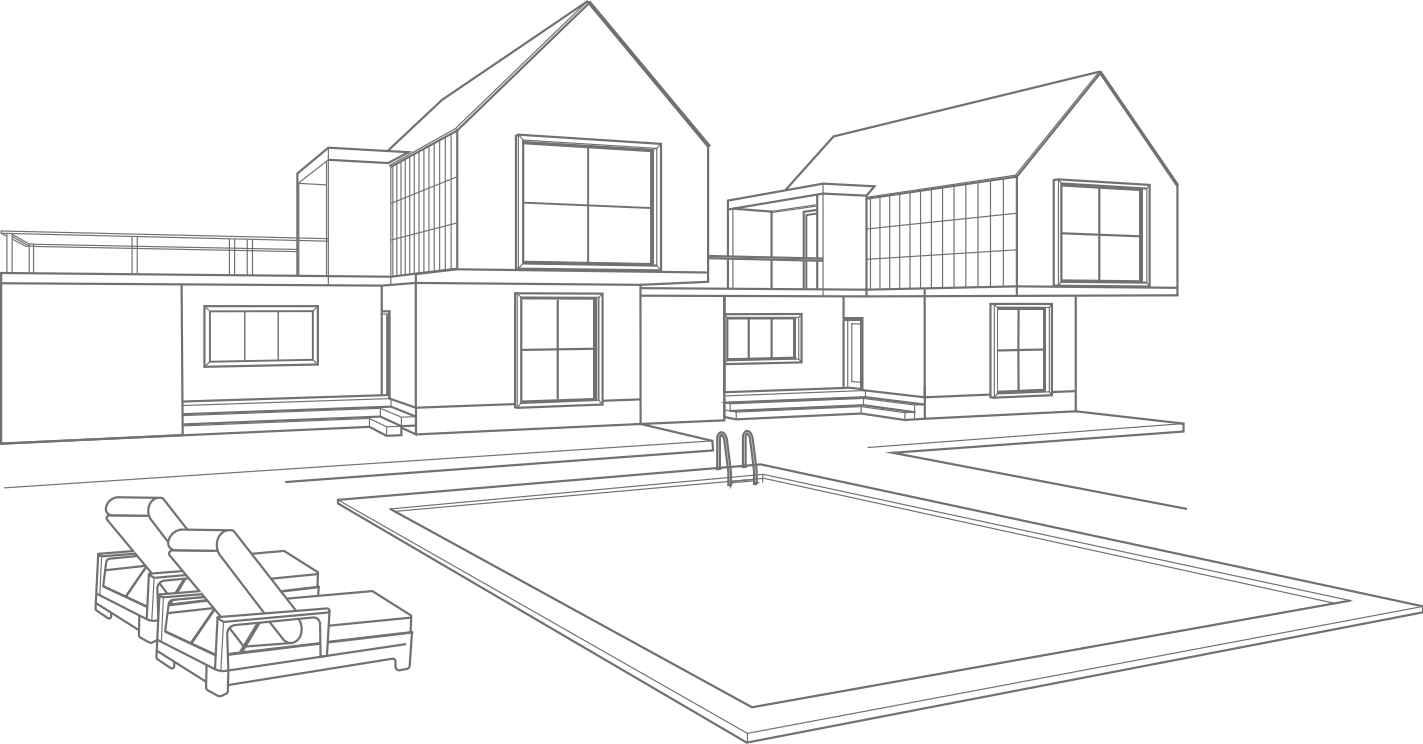
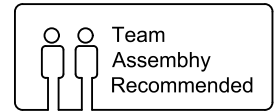
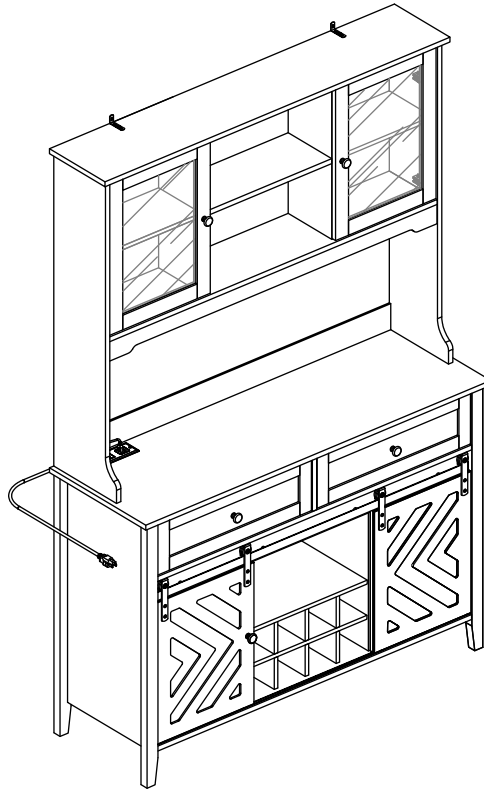


Bar-Cabinets



Assembly instruction!



Trouble shooting:

Missing/Wrong /Broken parts and installation issues



Send email with your question pic, order NO. and screenshot of order details



Respond within 24 hours



Issue resolved

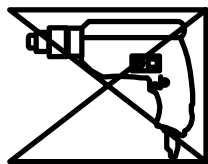
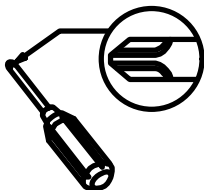
Tips!



1. Check all the components & screws are intact before assembling .
 2. If you notice any pieces are missing or damaged please do not assemble and contact us immediately .
 3. Please send an email with you order number and issues, we will respond within 24 hours.
- Customer Service Team**

Tools required

A Phillips head screw driver is required for the assembly of this product. (not included)
Electric tool should not be used to assemble this product.



Two people are needed



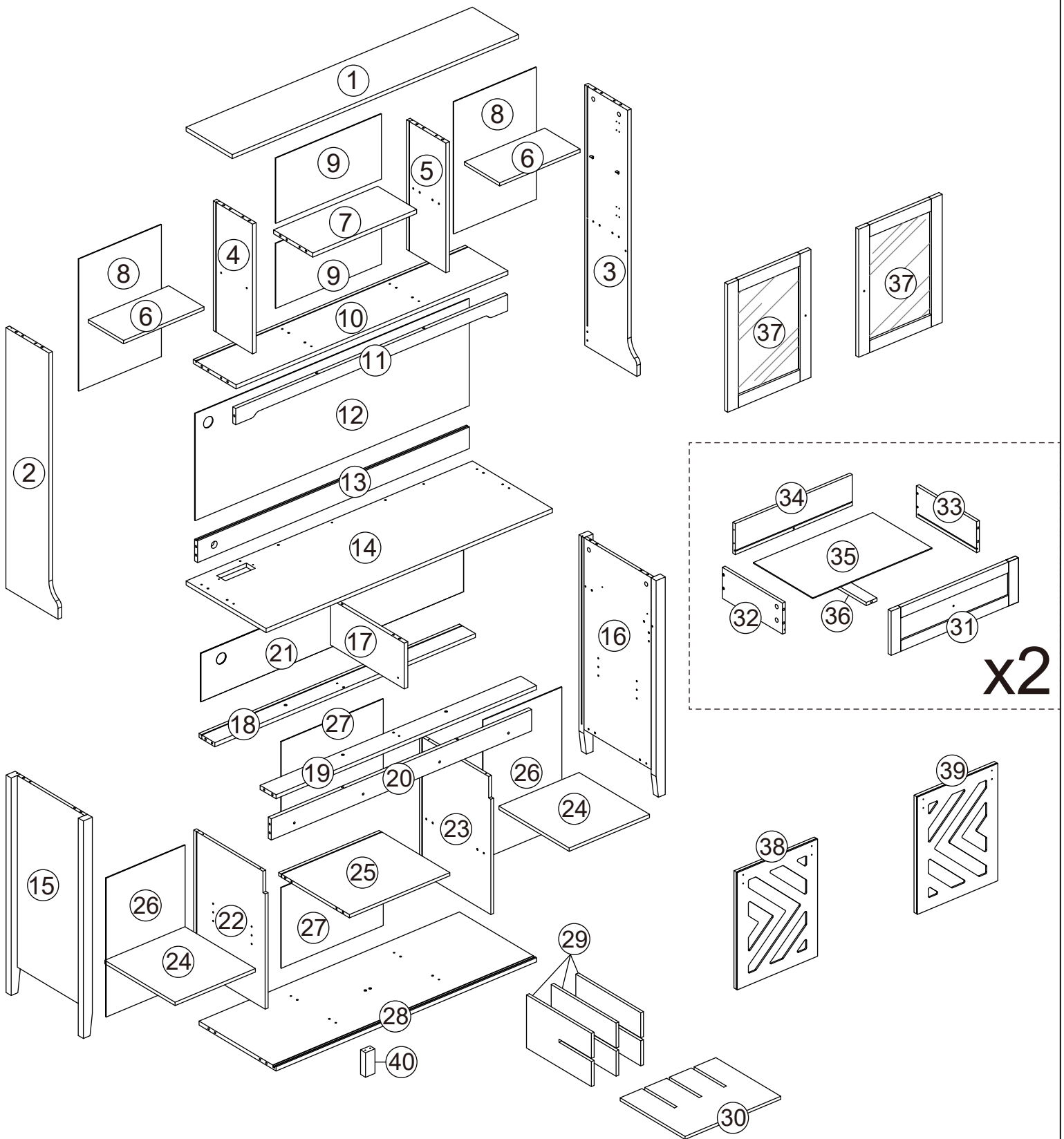
IMPORTANT SAFETY INFORMATION

- Please carefully read the following instructions and caution warnings before assembling the product.
- Following this guide will ensure that you install, use and maintain the product properly.
- Please keep this installation and user manual/instructions for future reference in case you need to disassemble the product.
- Never allow children to climb onto the product. Ensure that you have special safety measures when children are around on their own.
- Be sure to check that all parts of the product are intact after you open the package.
- Do not assemble if you notice serious damage such as cracks or bends.
- During installation, please use work gloves for hand safety.
- Please assemble the unit on carpeted floor or the flat cardboard box to avoid scratching the surface or your floor while assembling on the floor.
- To assemble, please use the complimentary installation tools (Phillips screwdriver). Pay more attention to the direction of components at each steps.
- It is recommended that two people work together to assemble the product.

RETURN POLICY

- Please contact us directly within 30 days after receiving.
- Ensure the product is in a good condition with the original box and all original certificates of purchase, manuals, and accessories attached.

Please check that you have all the parts listed below



Note: Don't tighten all screws during installation.

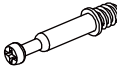



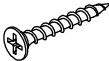


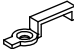

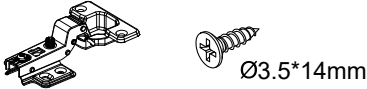
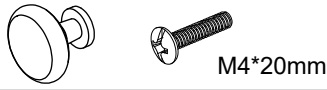
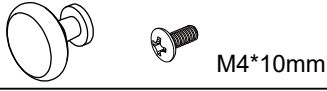


HARDWARE LIST


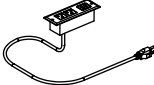
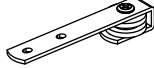
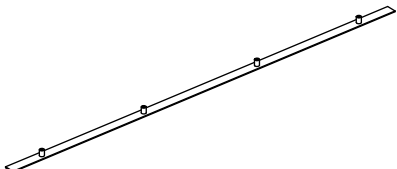



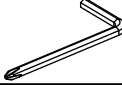
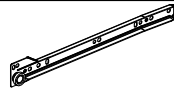
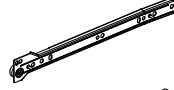
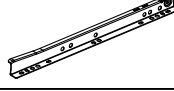

Components:

	① x1		⑭ x1		⑳ x2
	② x1		⑮ x1		㉔ x1
	③ x1		⑯ x1		㉙ x3
	④ x1		⑰ x1		⑳ x1
	⑤ x1		⑱ x1		㉓ x2
	⑥ x1		⑲ x1		㉘ x2
	⑦ x1		㉐ x1		㉓ x2
	⑧ x2		㉑ x1		㉔ x2
	⑨ x2		㉒ x1		㉕ x2
	⑩ x1		㉓ x1		㉘ x2
	⑪ x1		㉔ x2		㉗ x2
	⑫ x1		㉕ x1		㉘ x1
	⑬ x1		㉖ x2		㉙ x1
					㉚ x1

HARDWARE LIST

Screws & Tools:

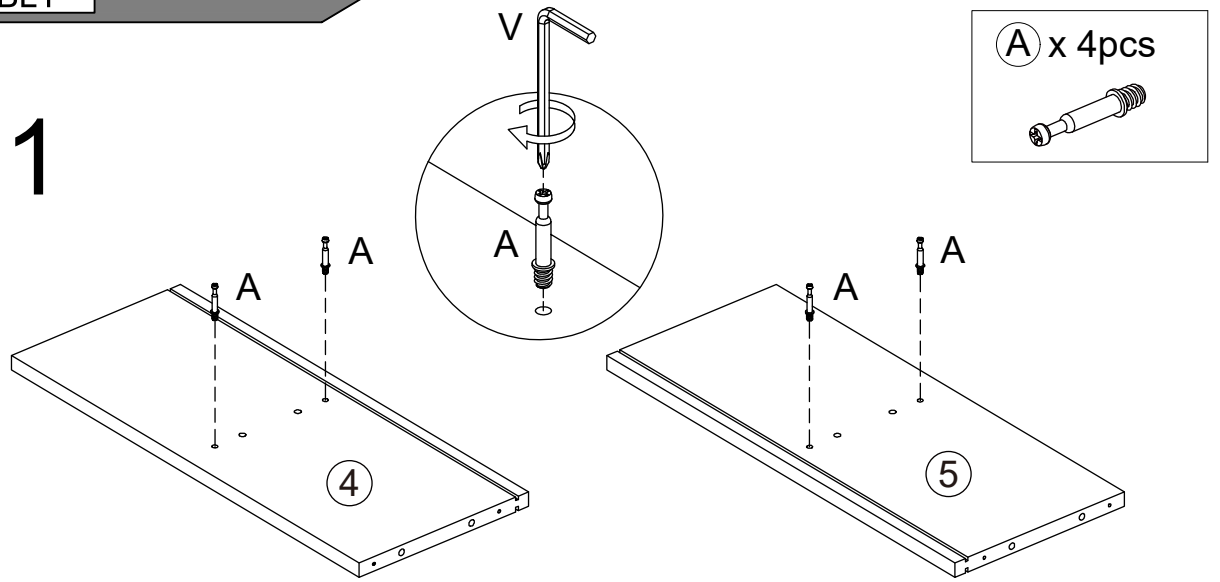
(A)		Ø6*28mm	59+5pcs
(B)		Ø9*15mm	59+5pcs
(C)		Ø6*30mm	52+5pcs
(D)		Ø3.5*12mm	25+2pcs
(E)		Ø4*30mm	10+1pcs
(F)		Ø4*40mm	22+2pcs
(G)			1pc
(H)			4pcs
(I)		Ø3.5*14mm	14+1pcs
(J)		Ø3.5*14mm	4set
(K)		M4*20mm	2set
(L)		M4*10mm	2set
(M)		M6*20mm	4pcs
(N)		Ø4*14mm	8+1pcs

(O)			16+1pcs
(P)			1pc
(Q)			4pcs
(R)			1pc
(S)			46+1pcs
(T)			2set
(U)			4pcs
(V)			1pc
(CL)			2pcs
(CR)			2pcs
(DL)			2pcs
(DR)			2pcs

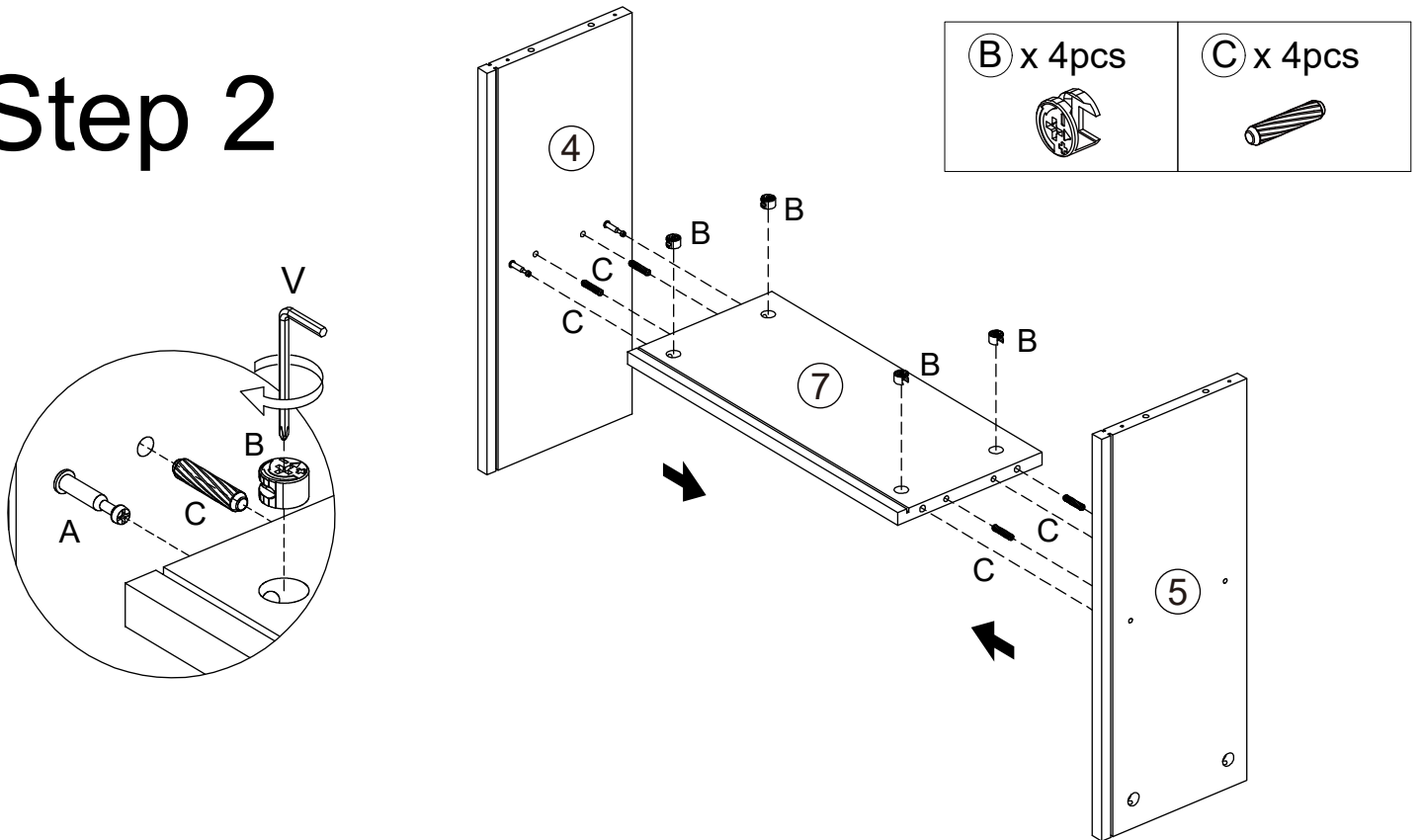
Check all the components & screws before assembly.
Do not install in case part is missing, contact us to get.
Send email with your question

We will resend within 24 hours.

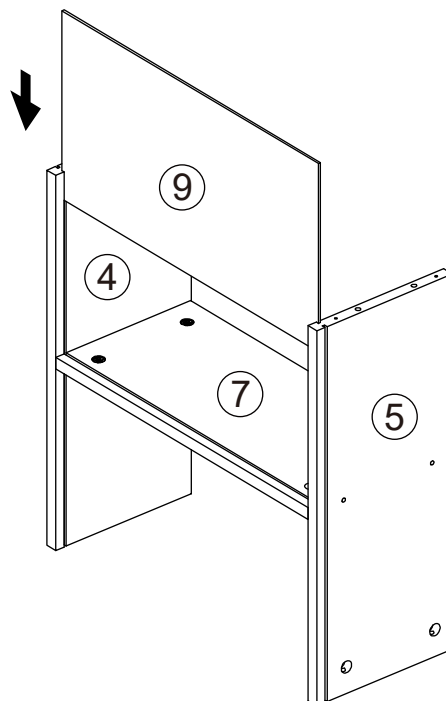
Step 1



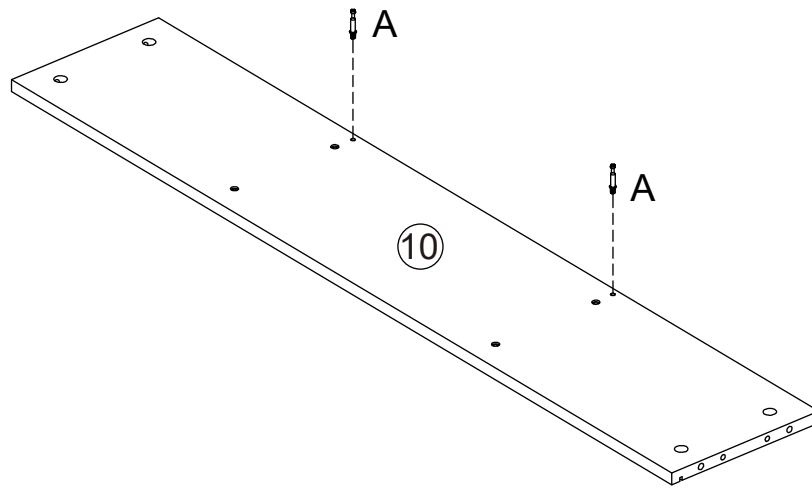
Step 2



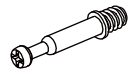
Step 3



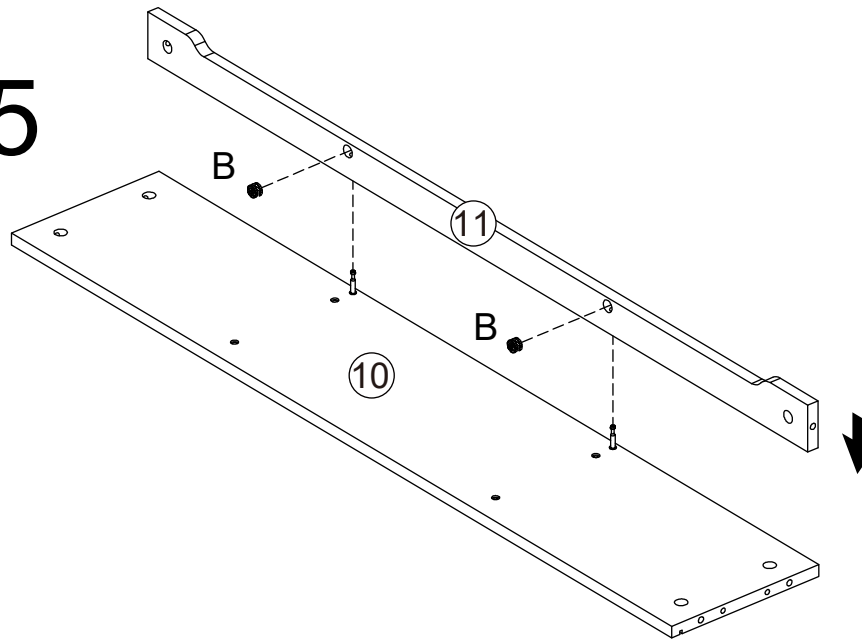
Step 4



(A) x 2pcs



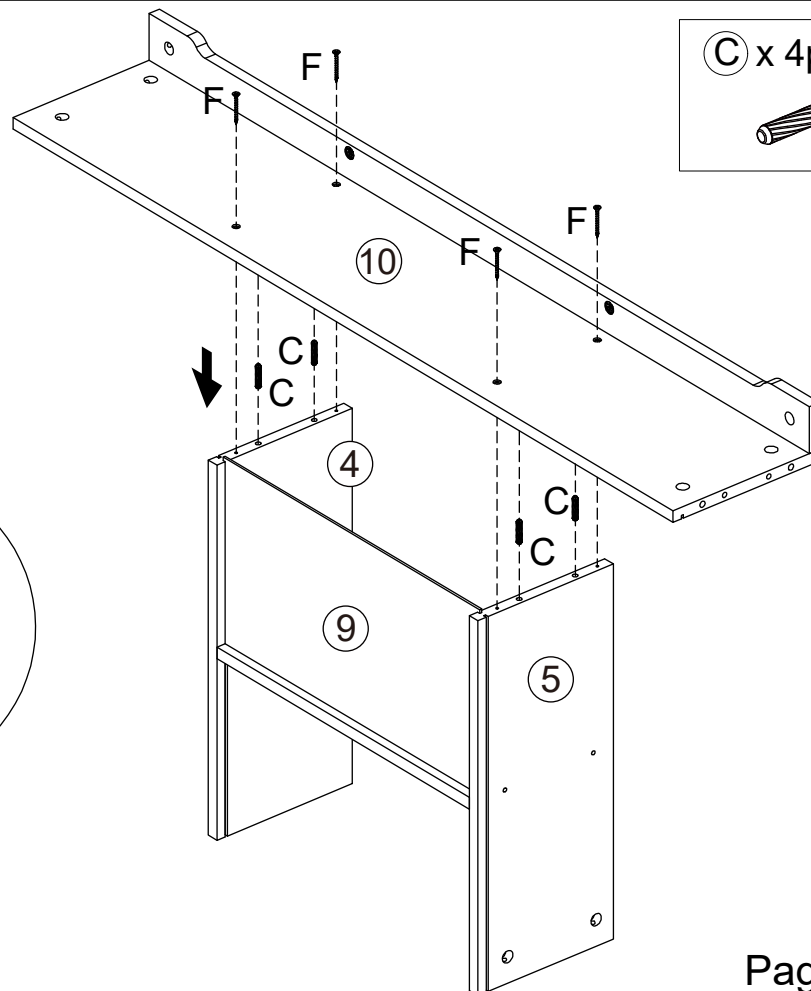
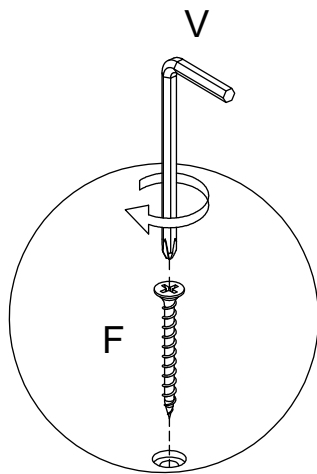
Step 5



(B) x 2pcs



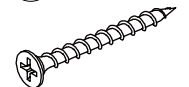
Step 6



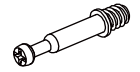
(C) x 4pcs



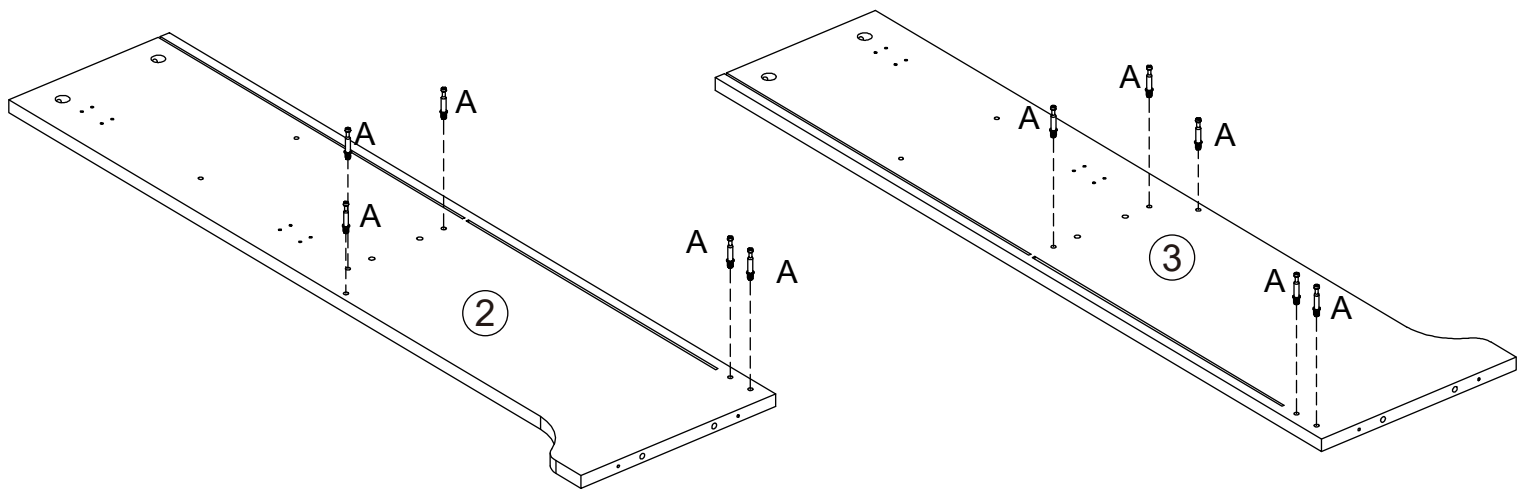
(F) x 4pcs



(A) x 10pcs



Step 7

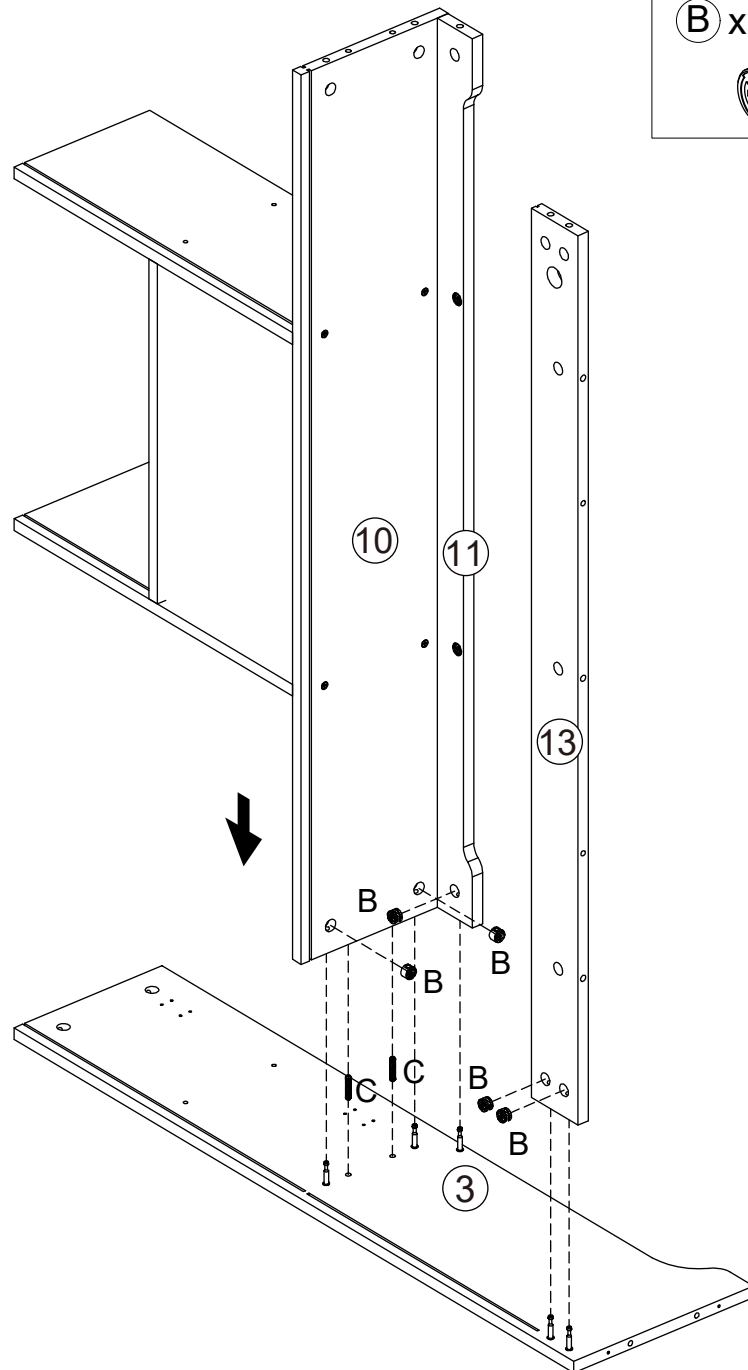


Step 8

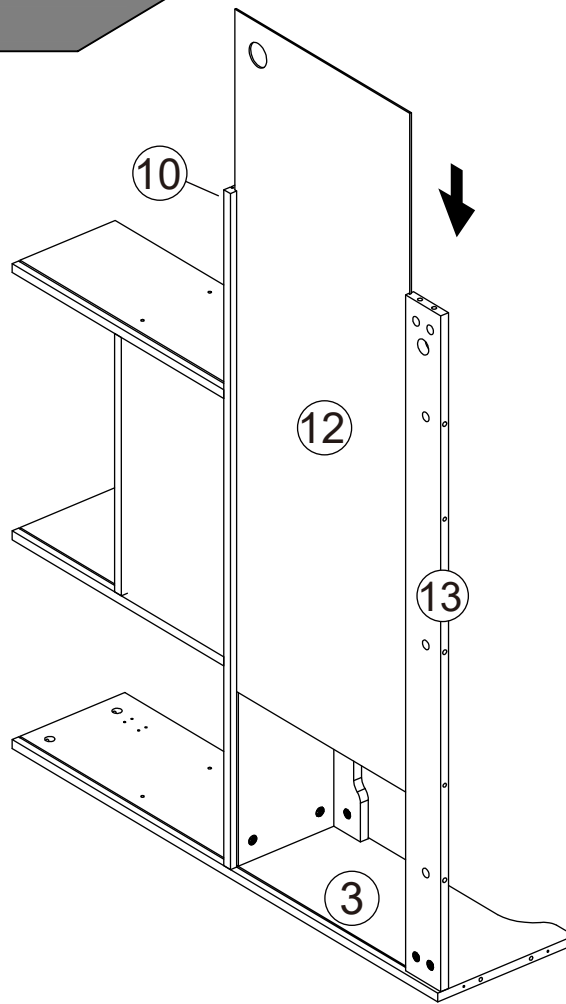
(B) x 5pcs



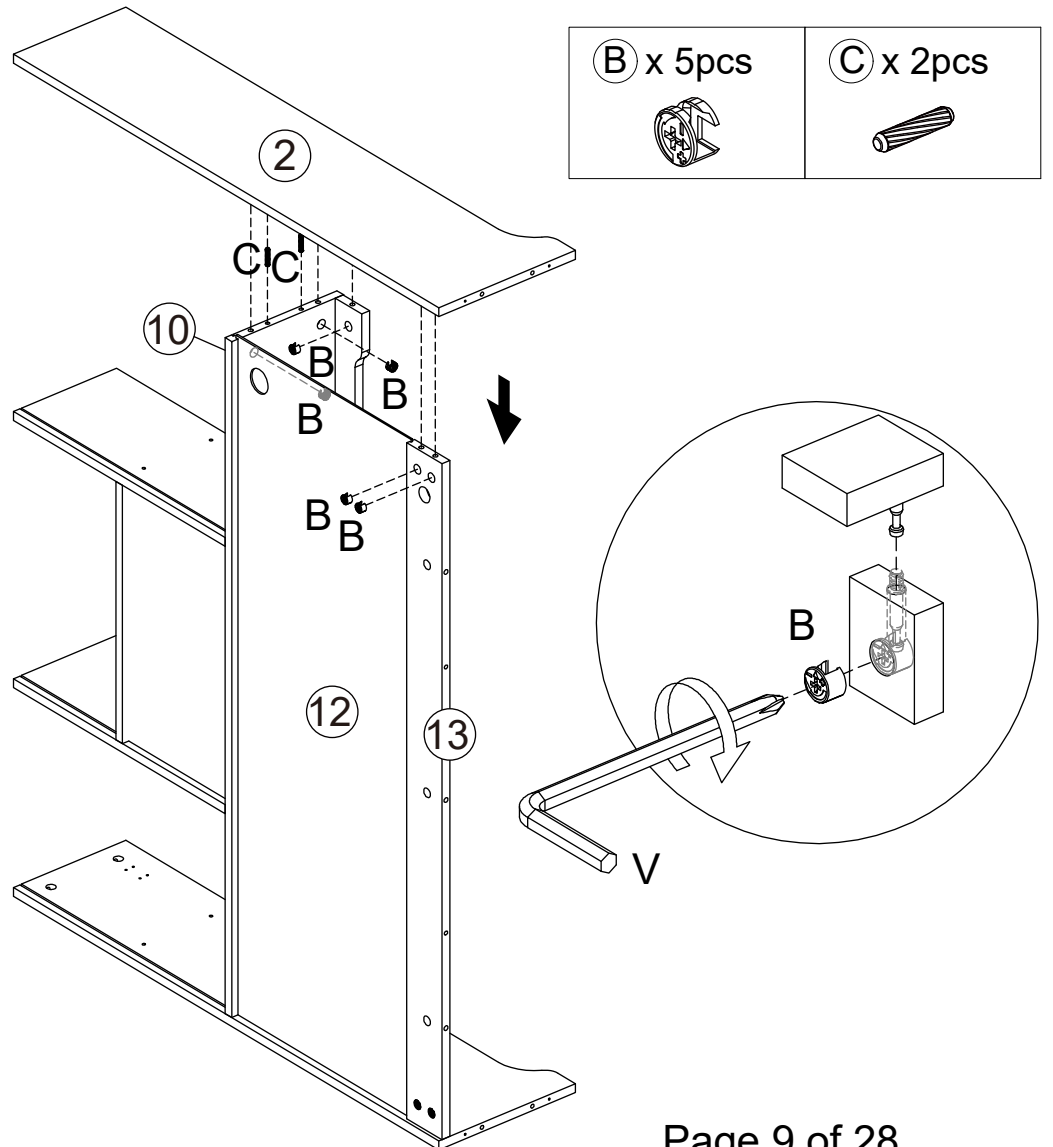
(C) x 2pcs



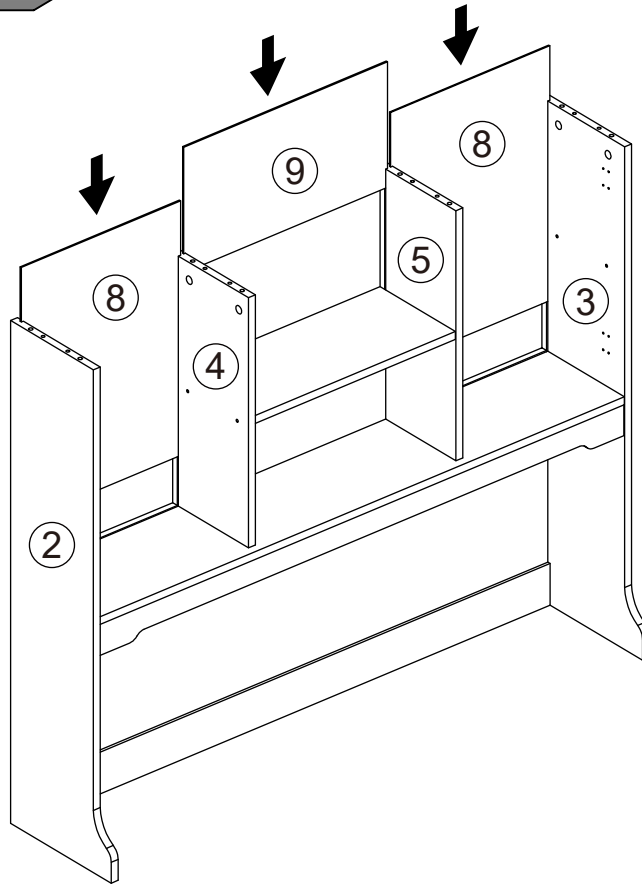
Step 9



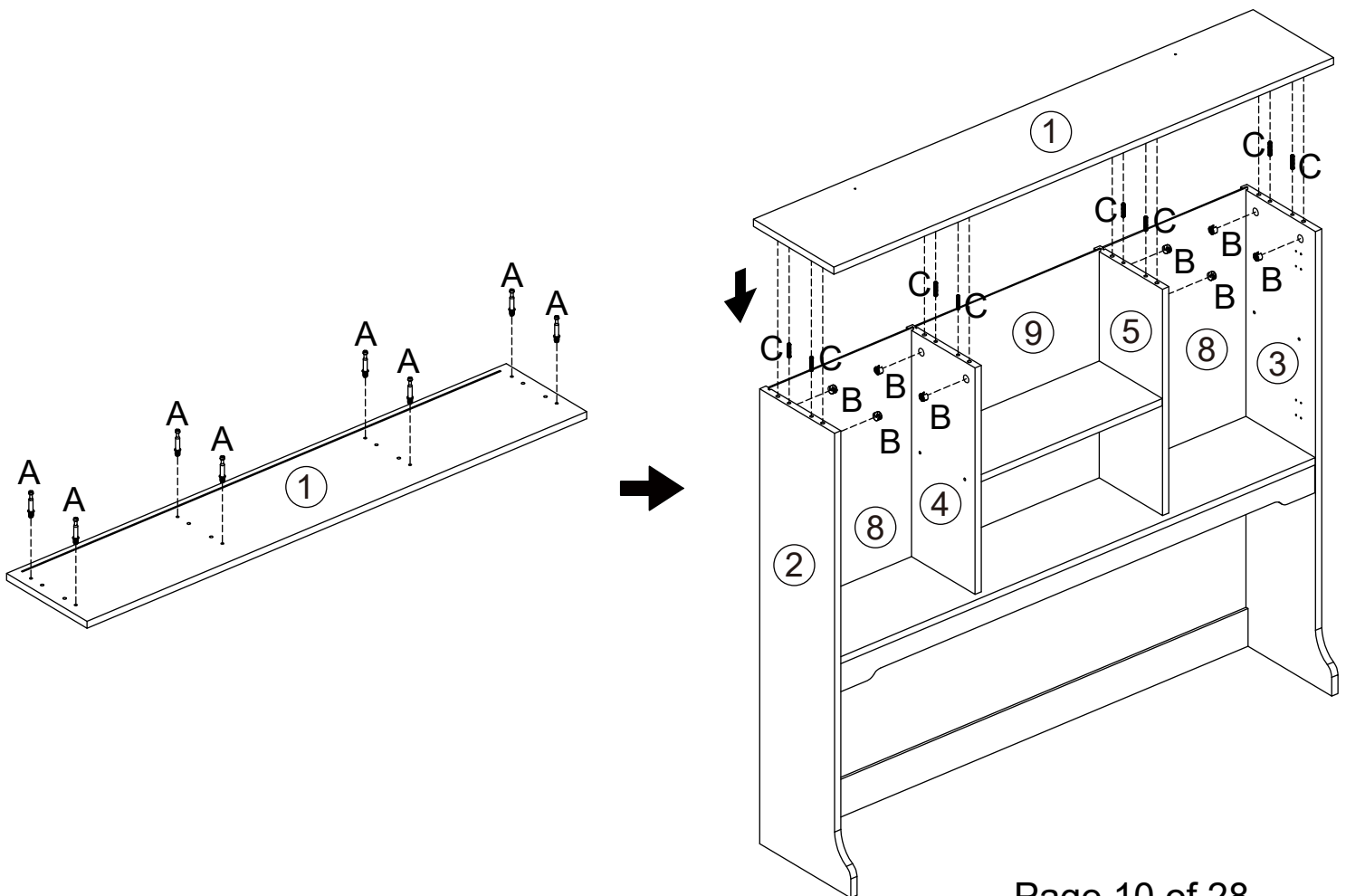
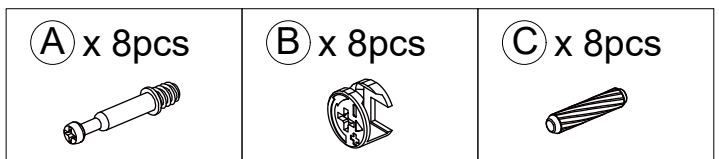
Step 10



Step 11

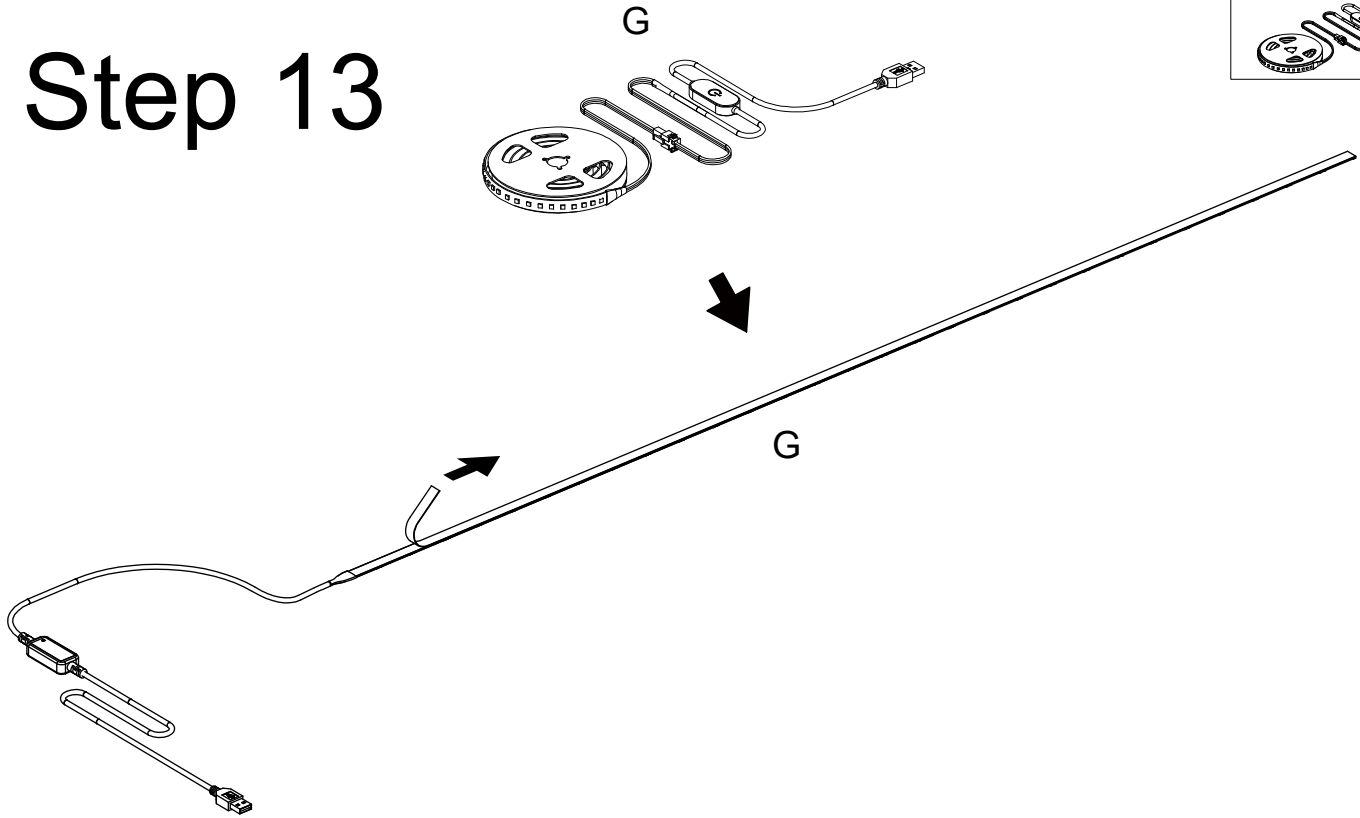


Step 12



Step 13

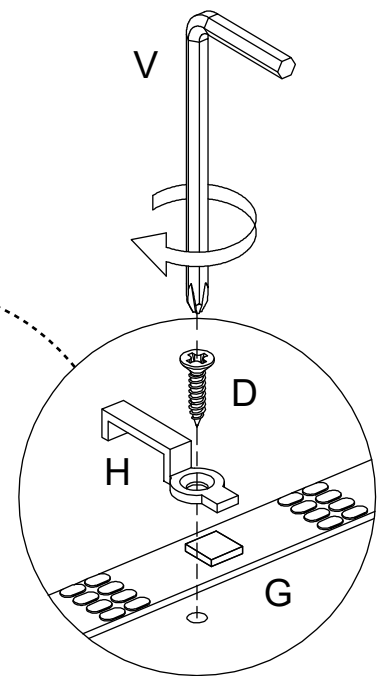
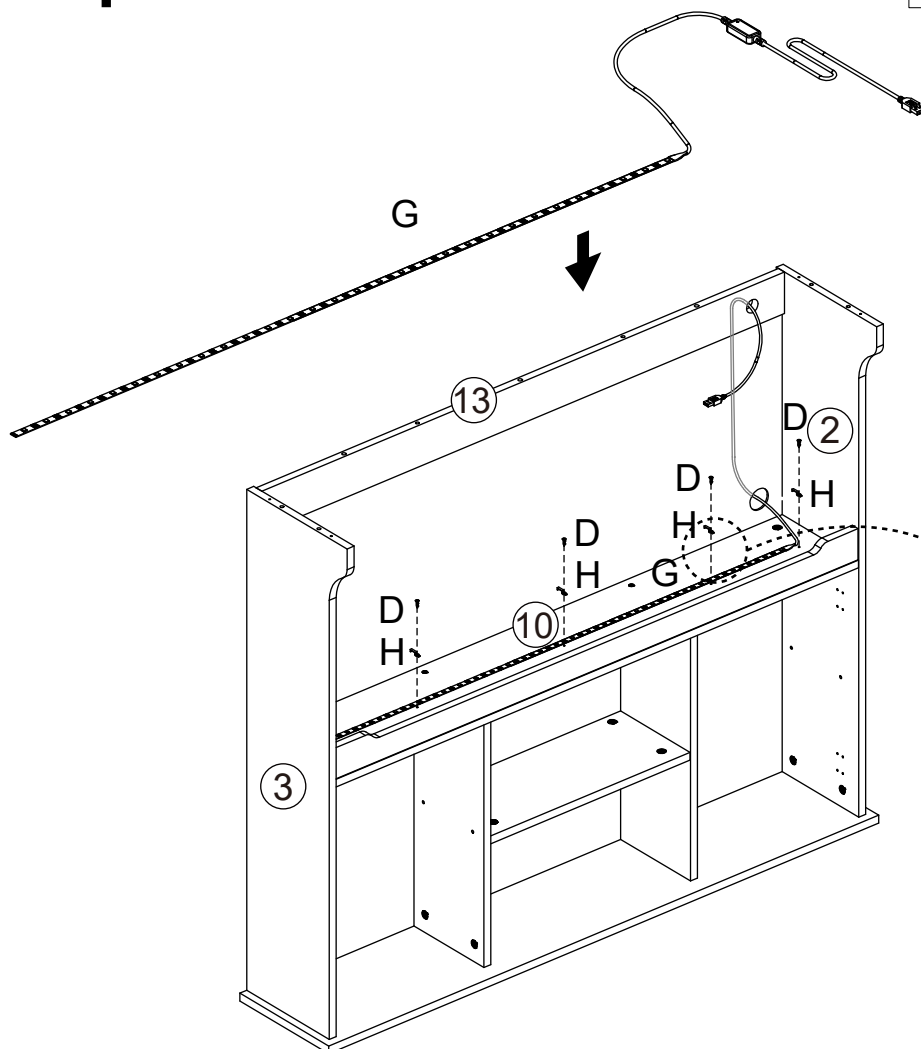
G x 1pc



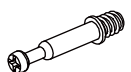


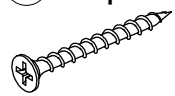
Step 14

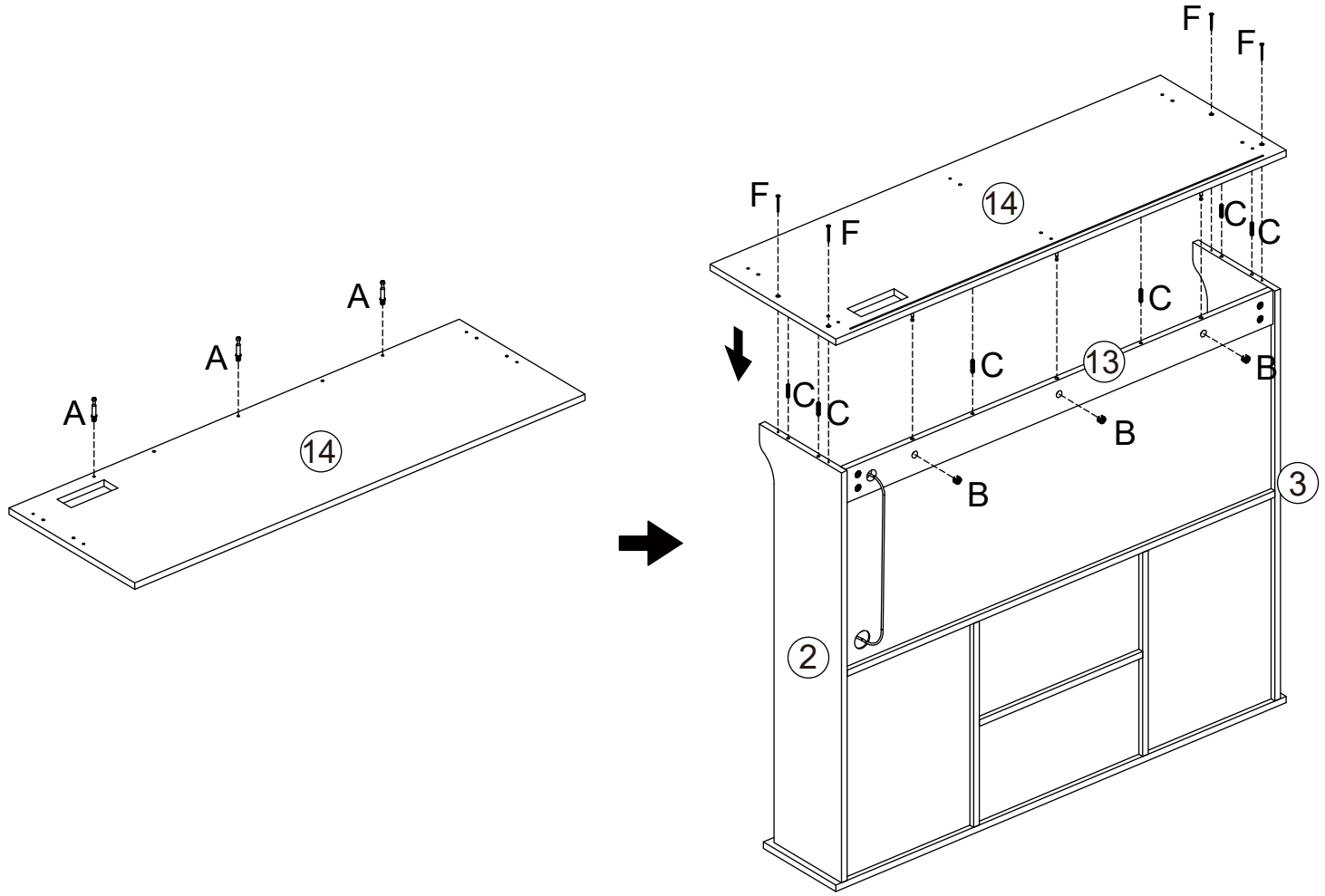
D x 4pcs

H x 4pcs

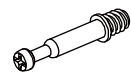


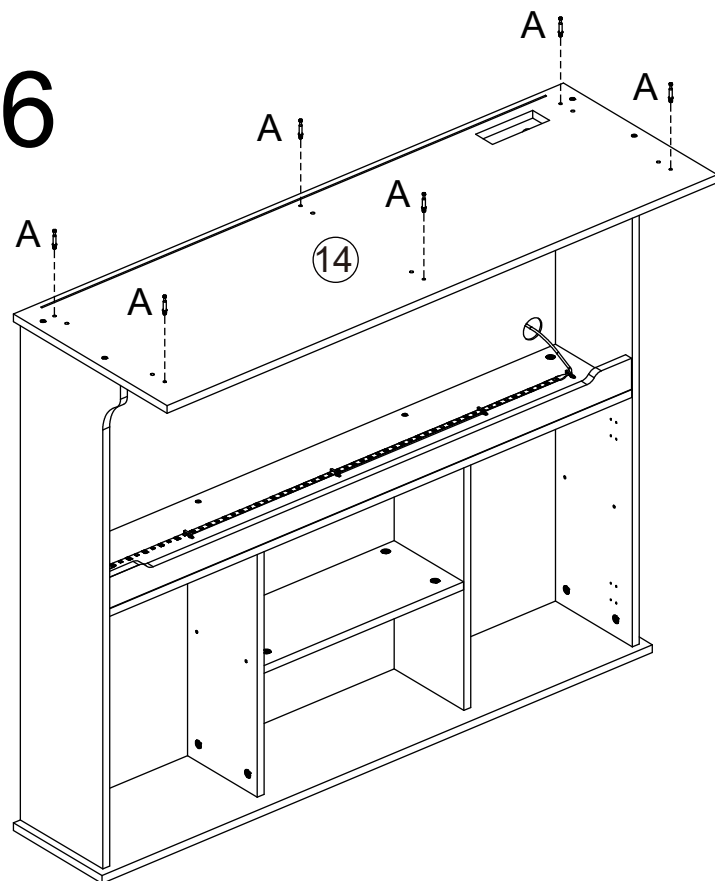
Step 15

<p>(A) x 3pcs</p> 	<p>(B) x 3pcs</p> 	<p>(C) x 6pcs</p> 	<p>(F) x 4pcs</p> 
---	--	---	---

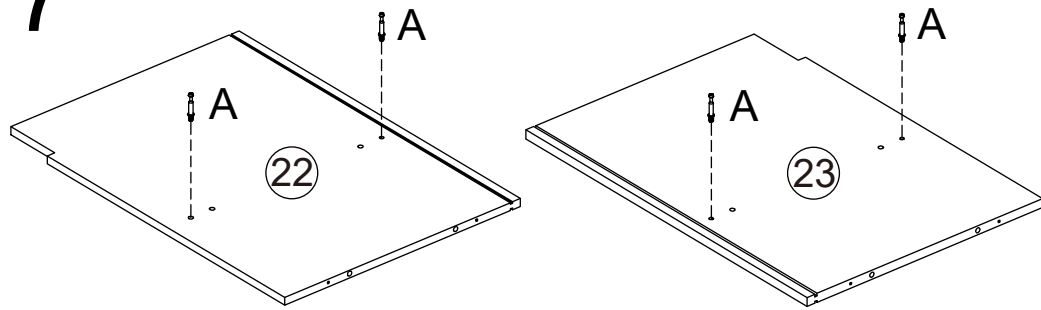


Step 16

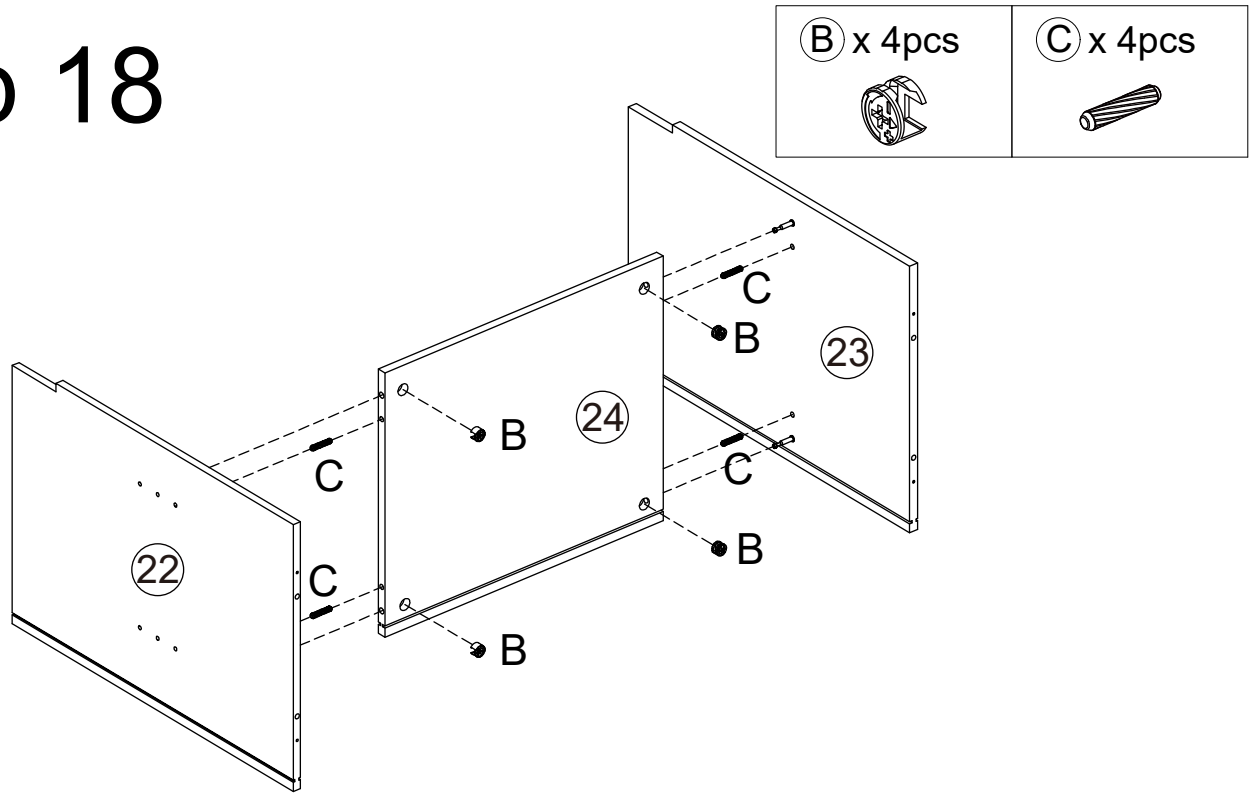
<p>(A) x 6pcs</p> 



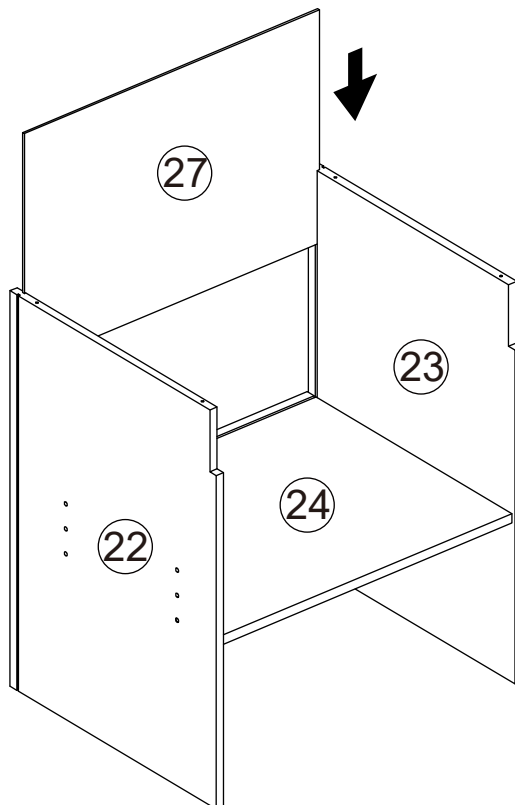
Step 17




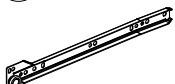

Step 18

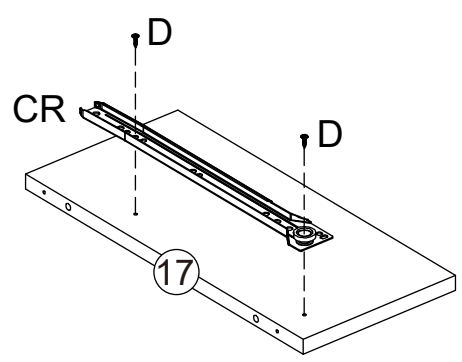
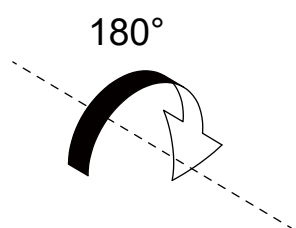
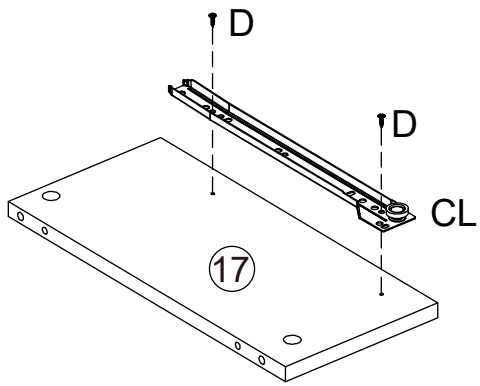
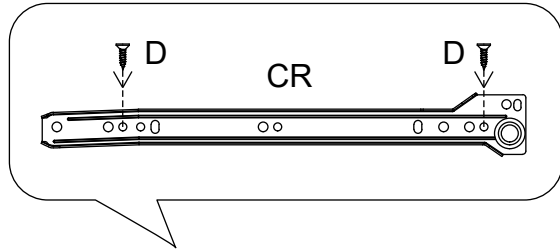
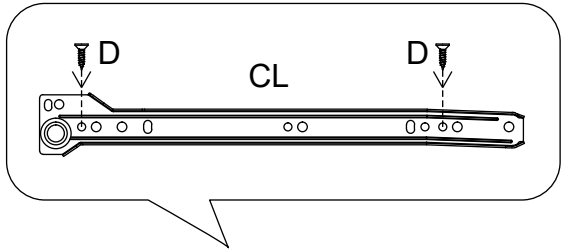


Step 19

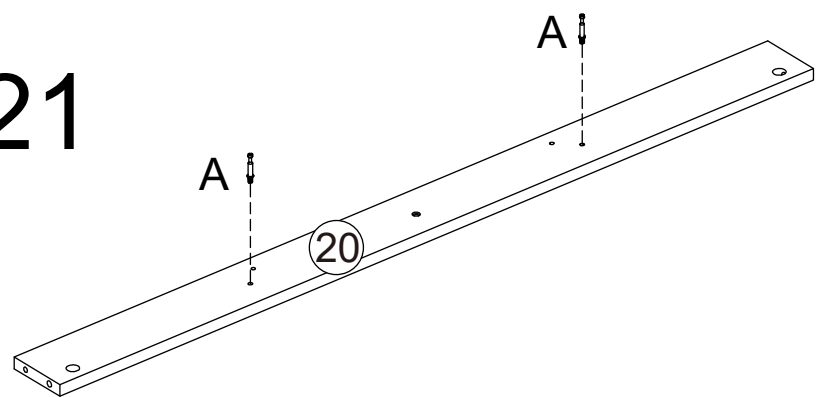



Step 20

<p>(D) x 4pcs</p> 	<p>(CL) x 1pc</p> 	<p>(CR) x 1pc</p> 
--	---	---



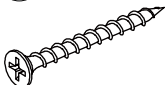


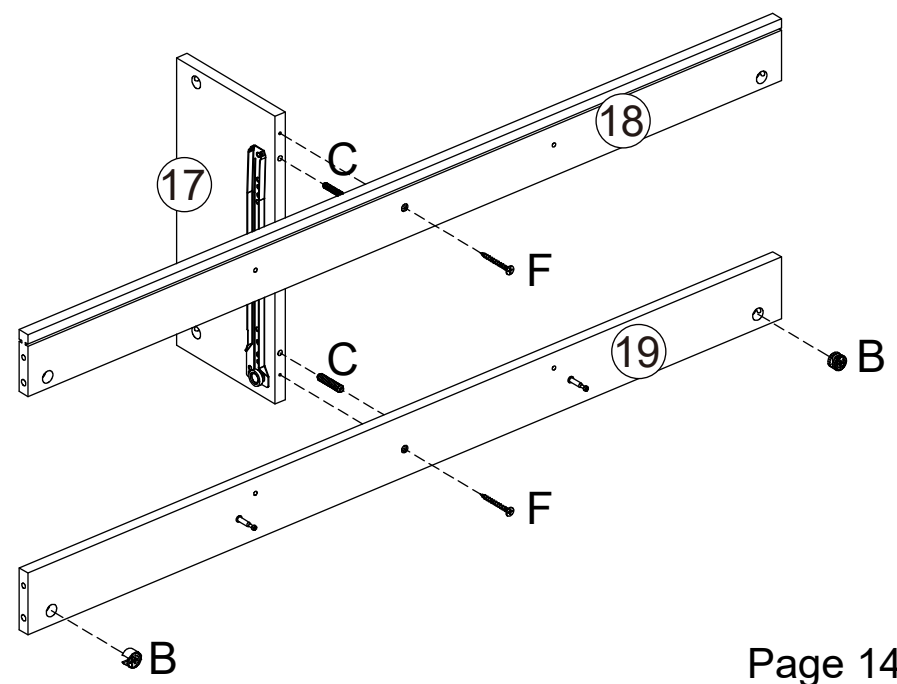
Step 21



<p>(A) x 2pcs</p> 

Step 22

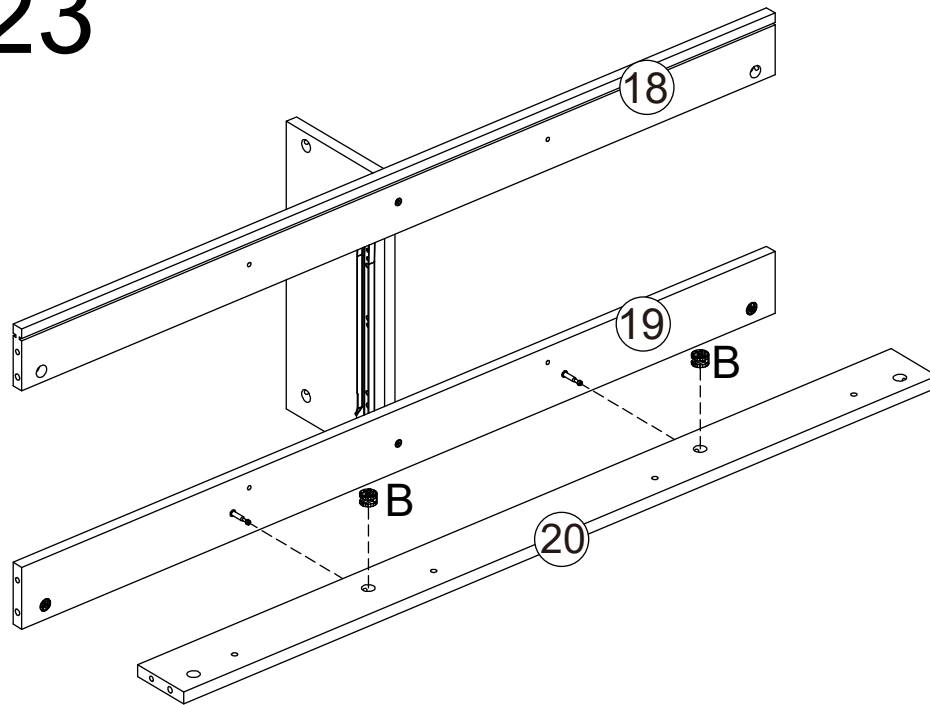
<p>(B) x 2pcs</p> 	<p>(C) x 2pcs</p> 	<p>(F) x 2pcs</p> 
--	---	---



B x 2pcs

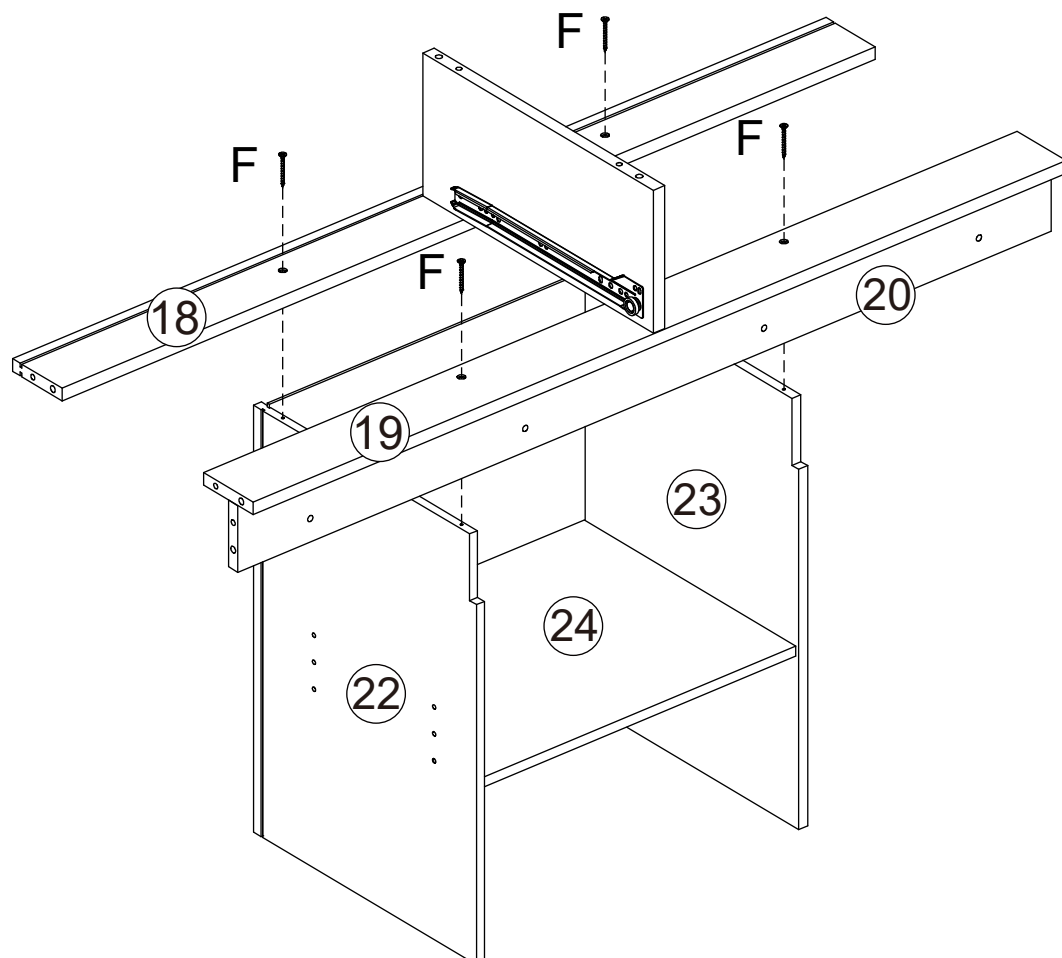
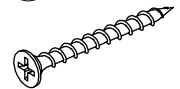


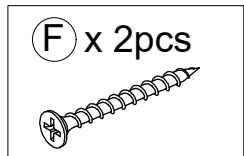
Step 23



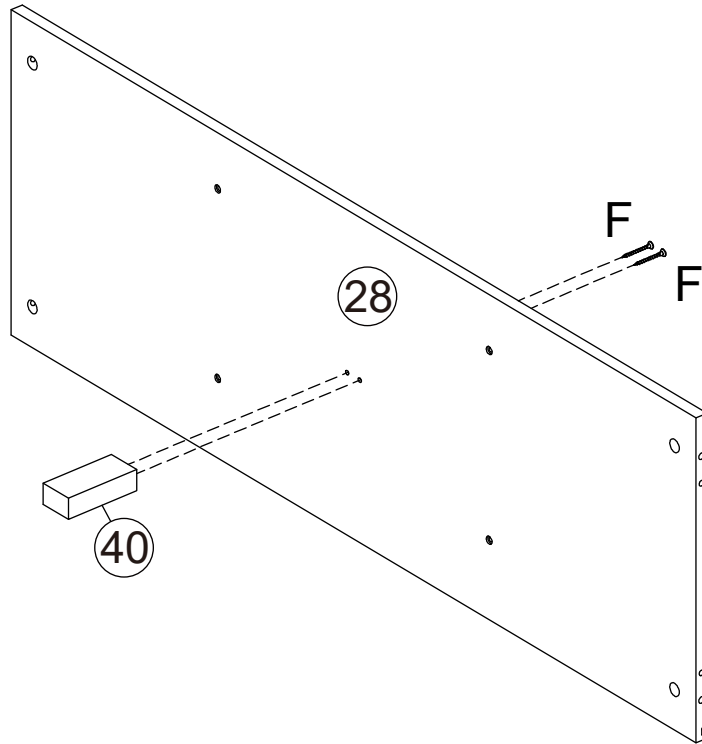
Step 24

F x 4pcs

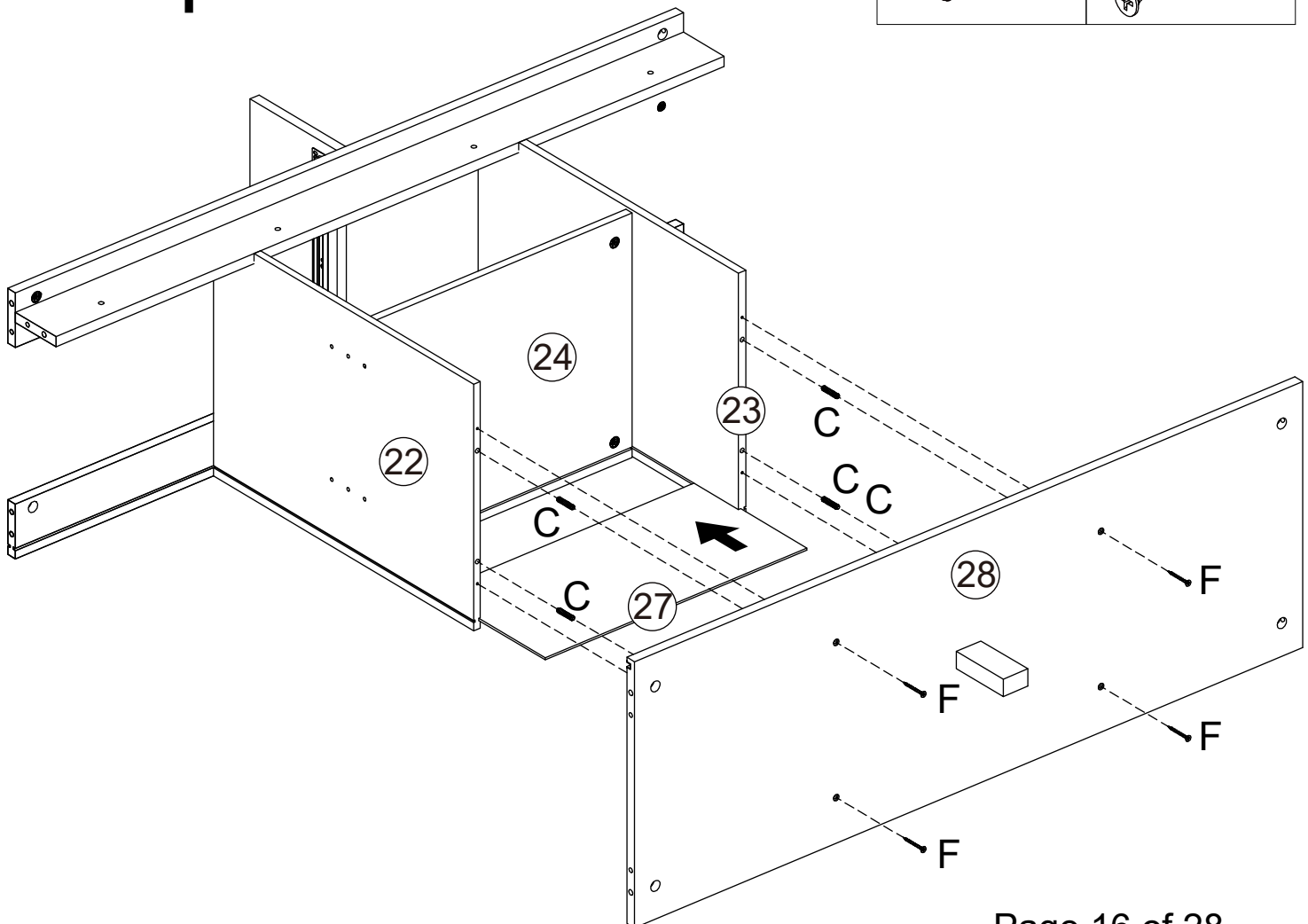
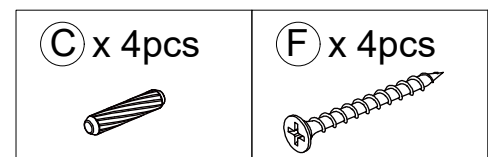





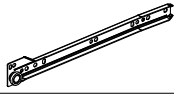

Step 25

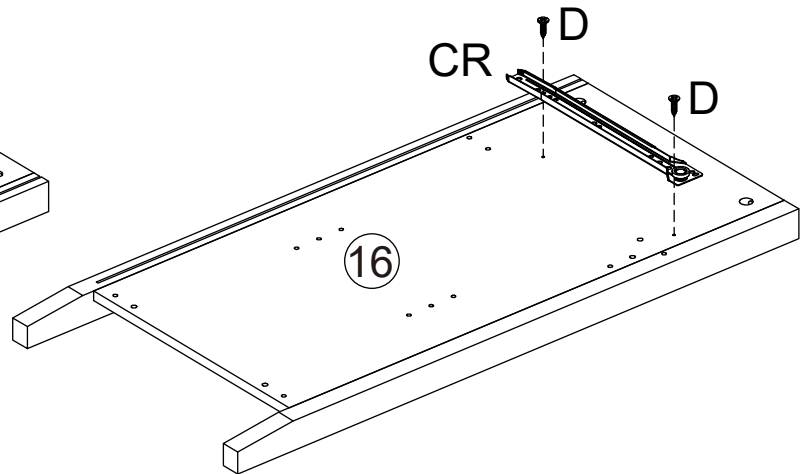
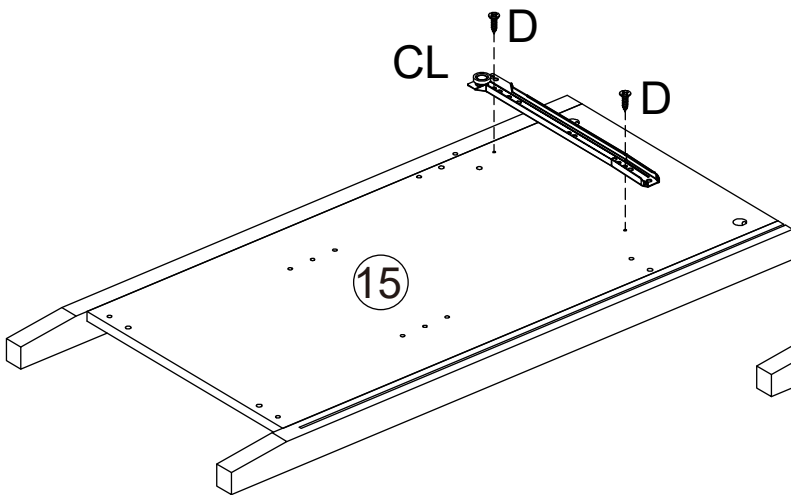
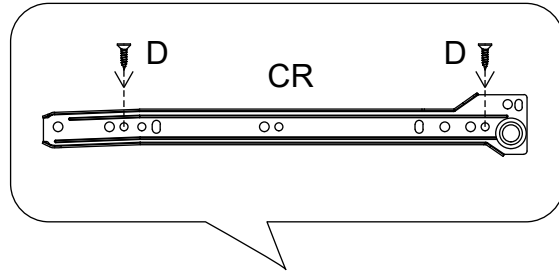
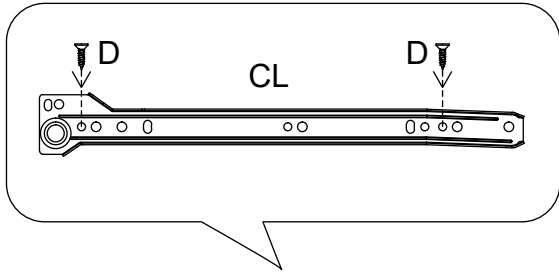


Step 26

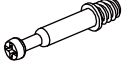


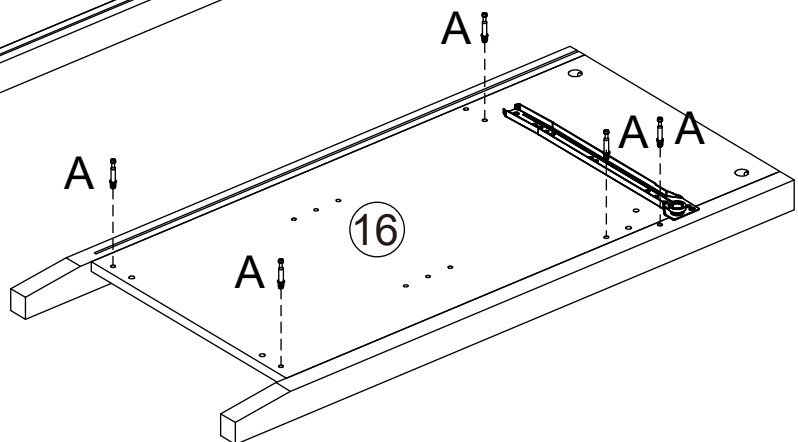
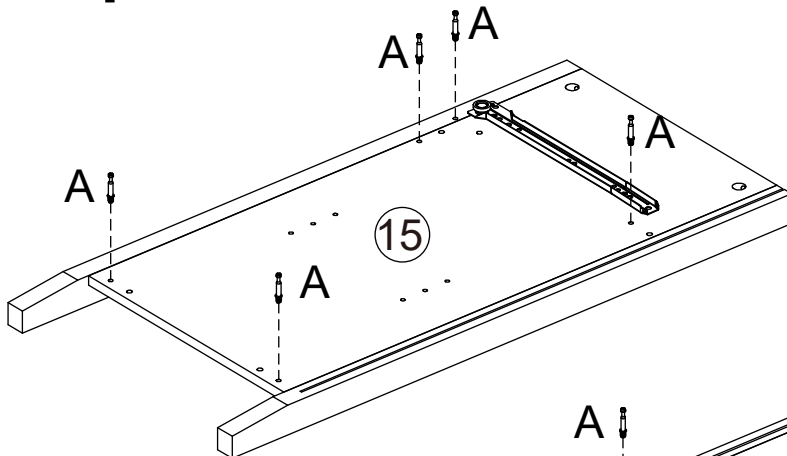
Step 27

\textcircled{D} x 4pcs 	\textcircled{CL} x 1pc 	\textcircled{CR} x 1pc 
---	---	---





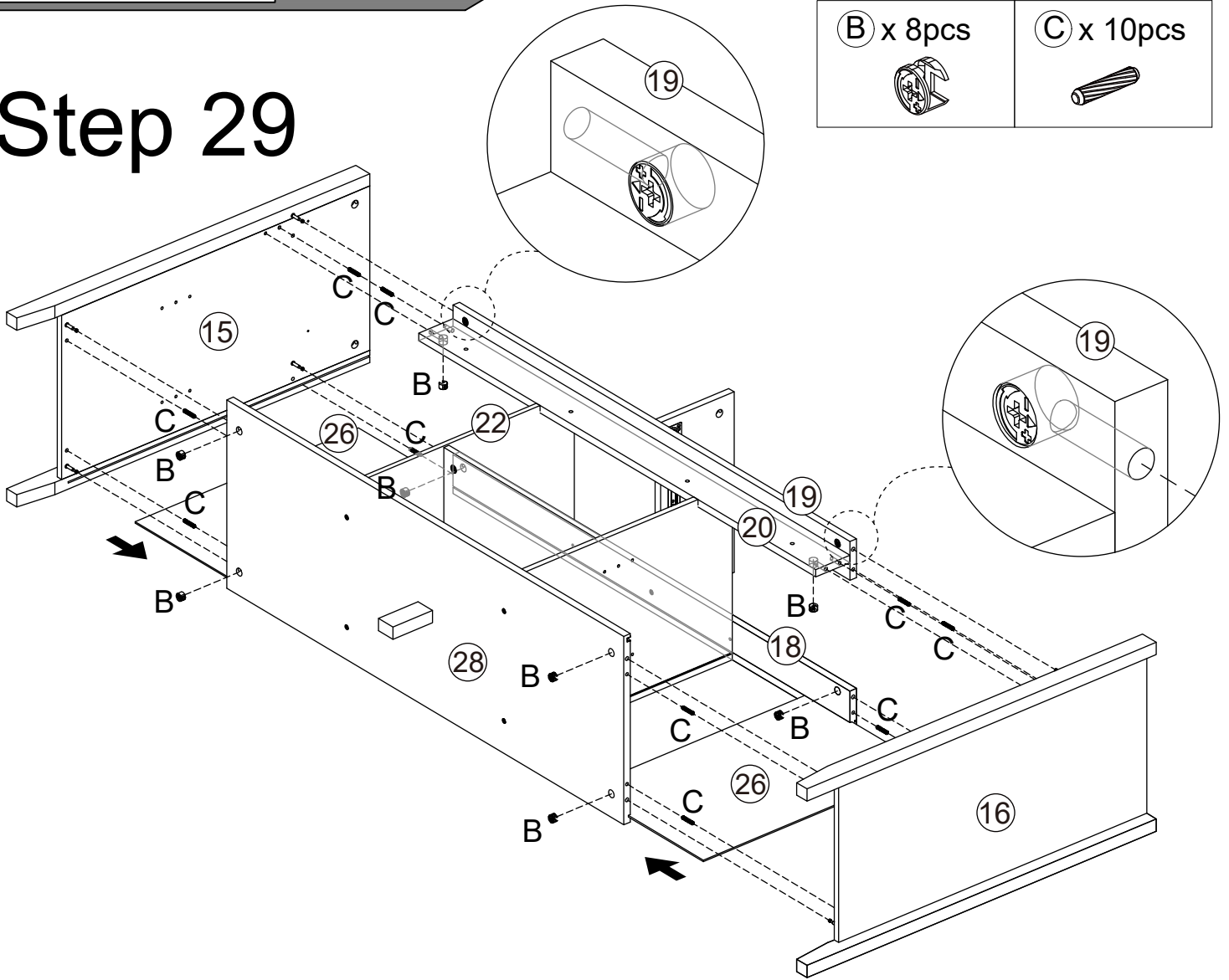
Step 28

\textcircled{A} x 10pcs 
--

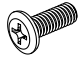
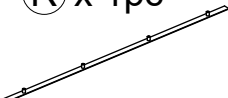


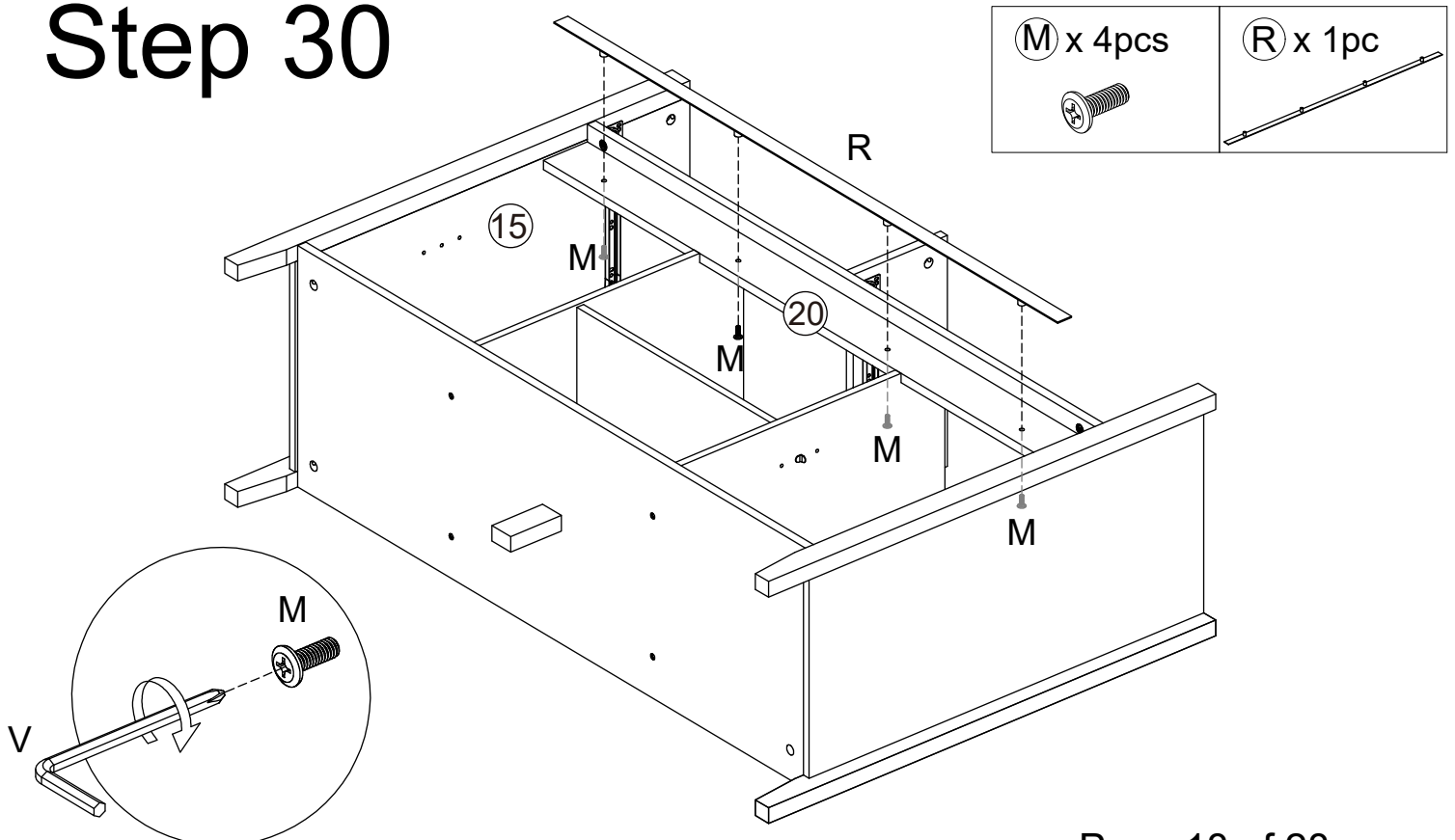
Step 29

B x 8pcs	C x 10pcs
	

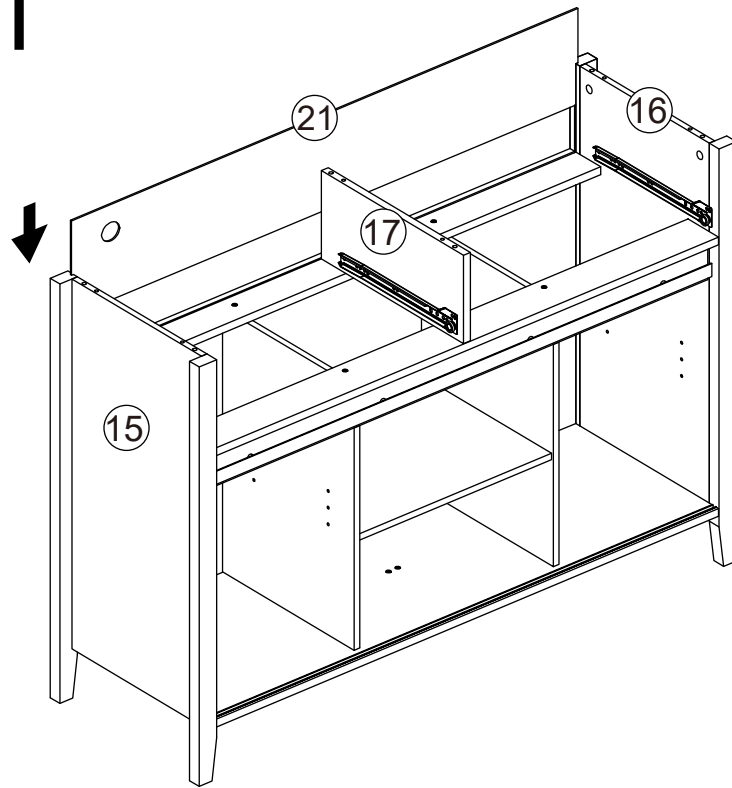


Step 30



M x 4pcs	R x 1pc
	

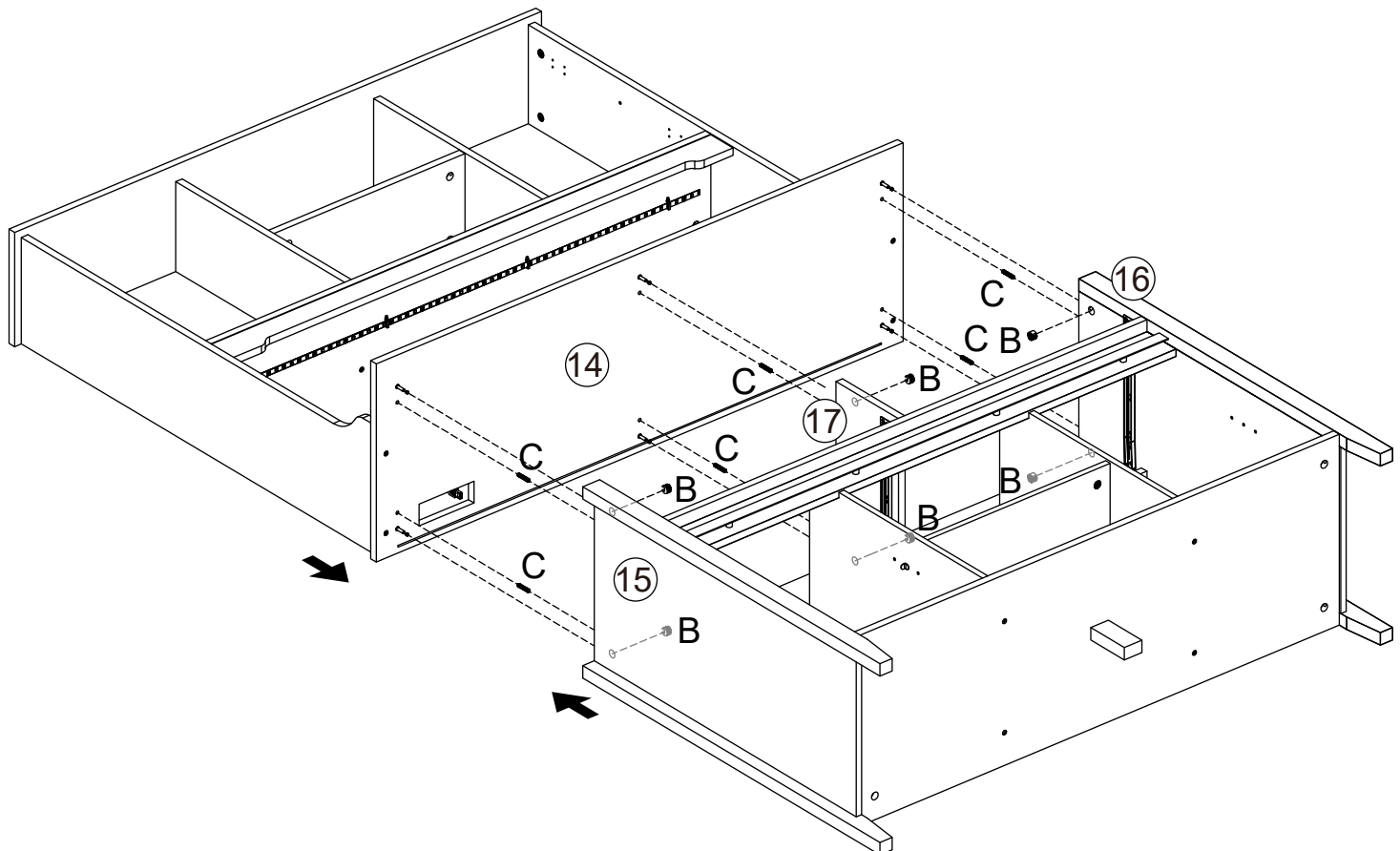


Step 31



Step 32

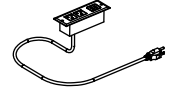
B x 6pcs 	C x 6pcs 
--	--



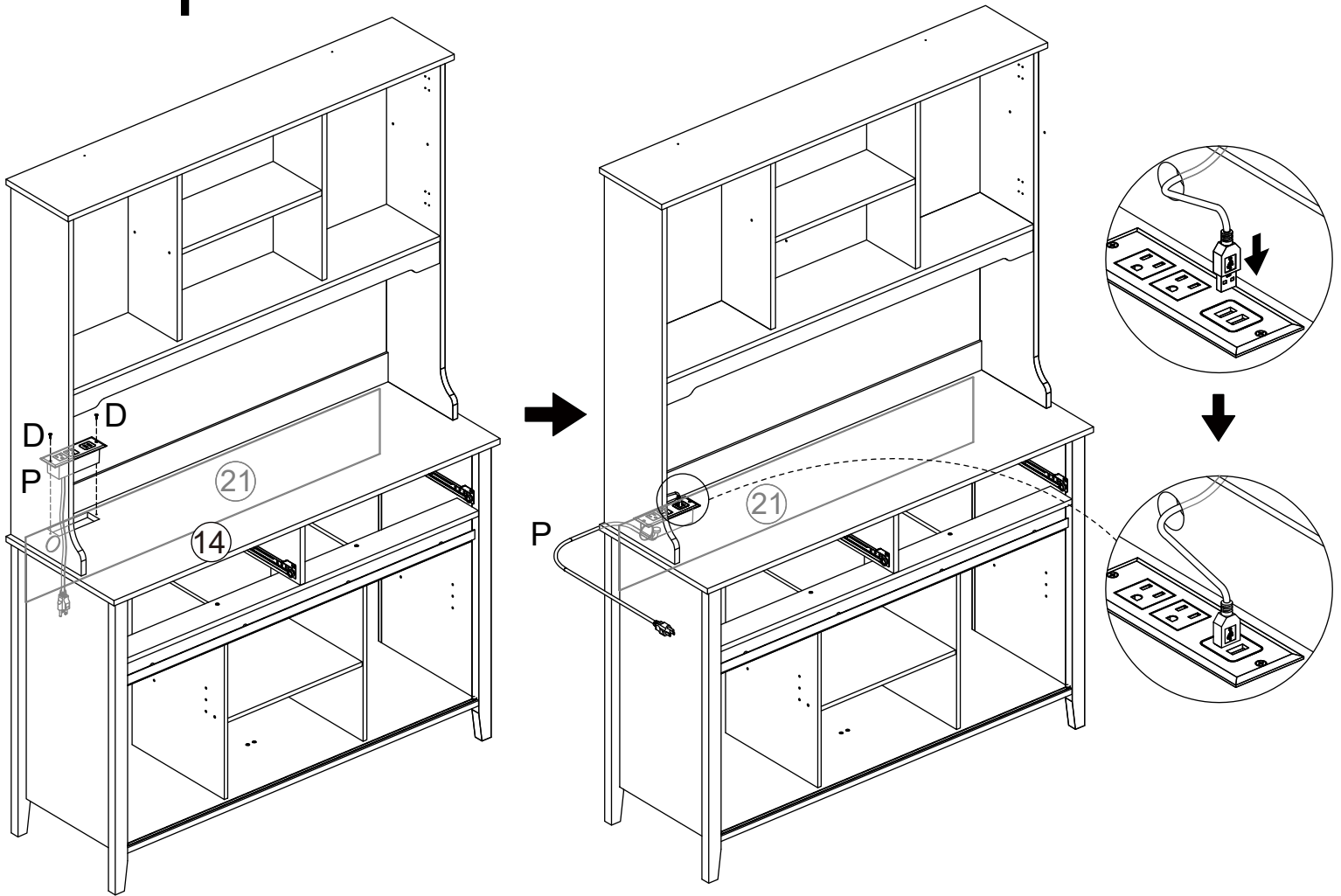
ⓓ x 4pcs



Ⓟ x 1pc

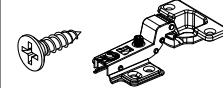


Step 33

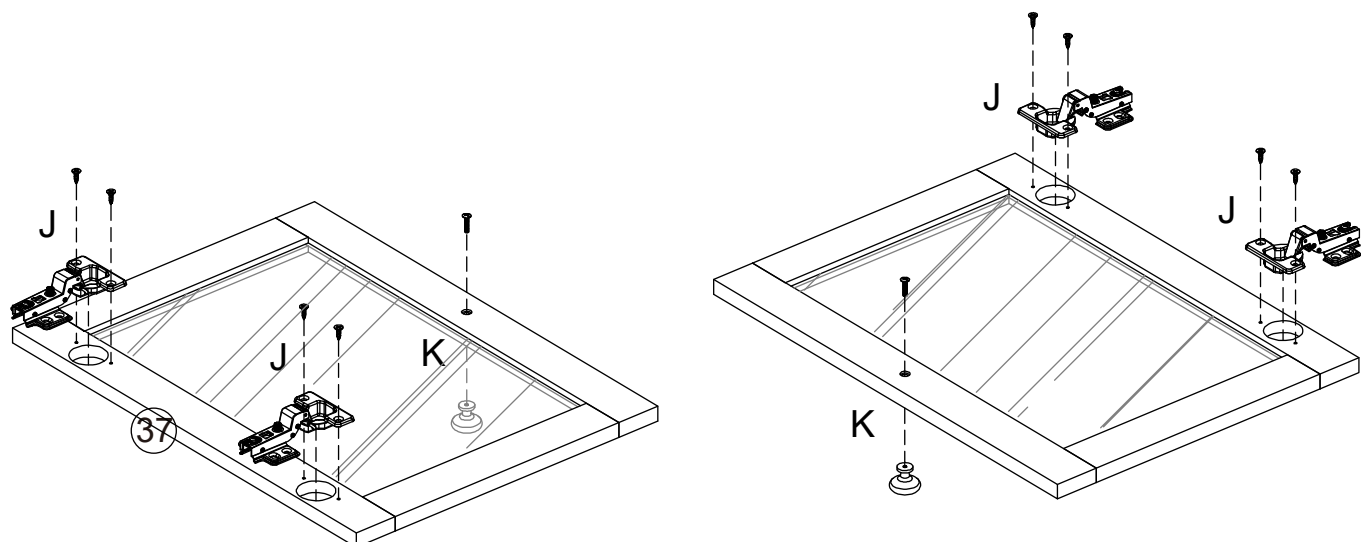
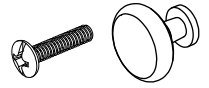


Step 34

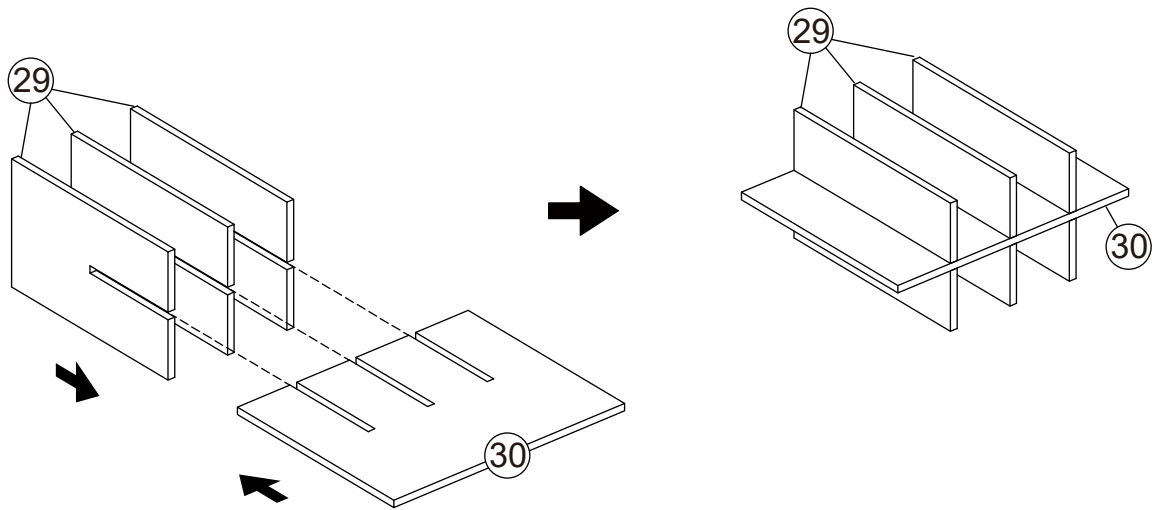
ⓙ x 4pcs



Ⓚ x 2pcs

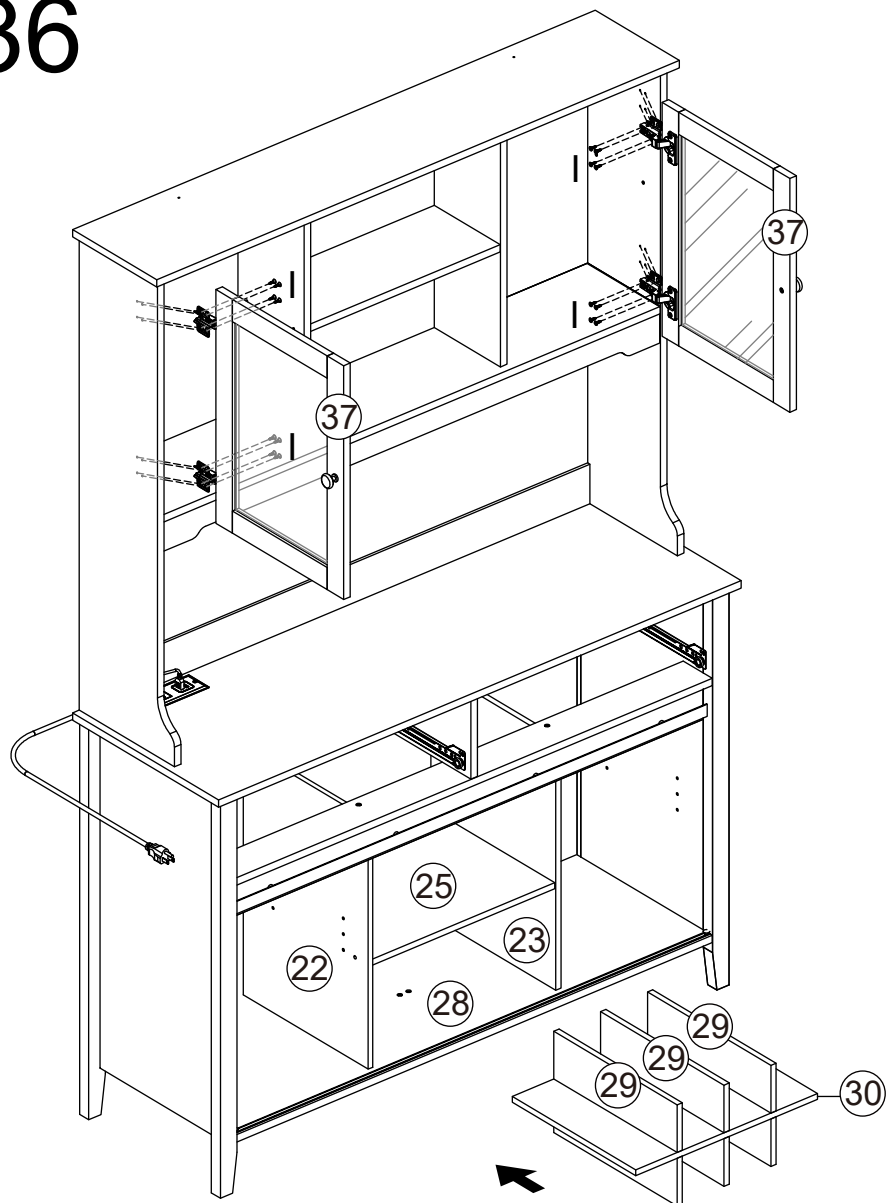


Step 35

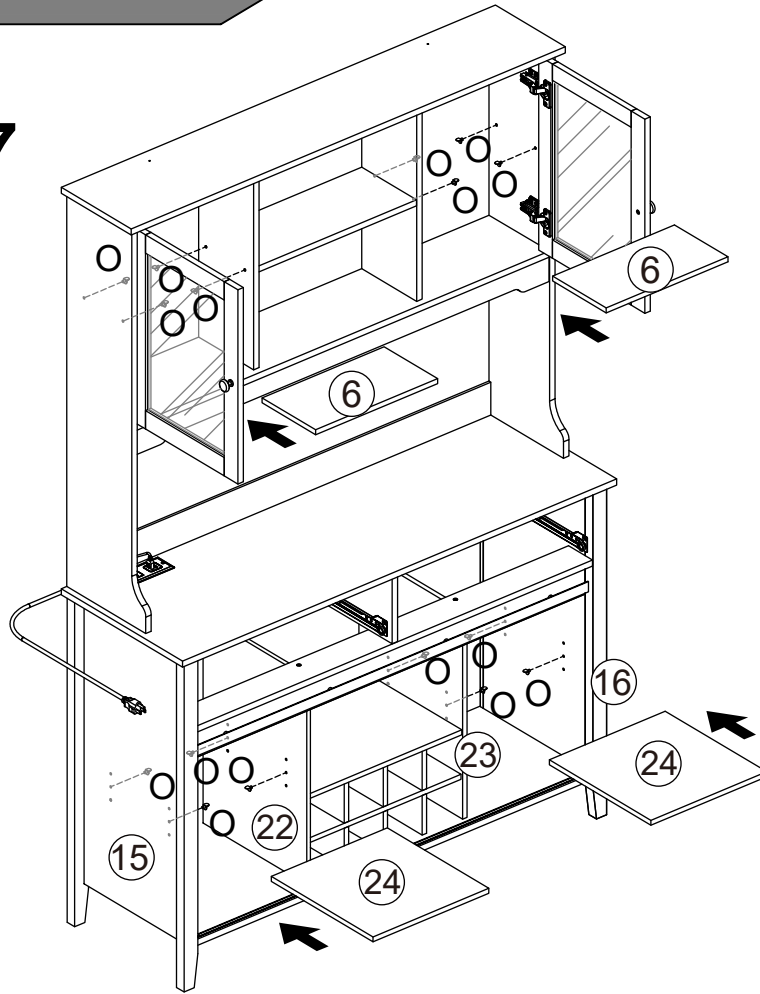


Step 36

Ⓛ x 16pcs



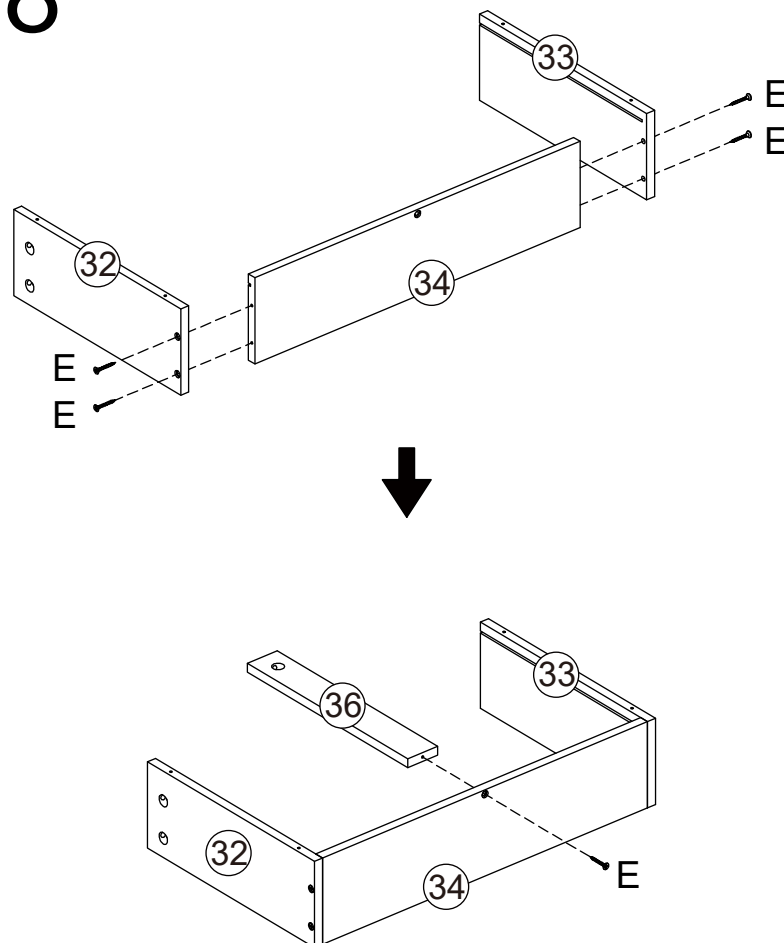
Step 37



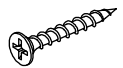
○ x 16pcs



Step 38



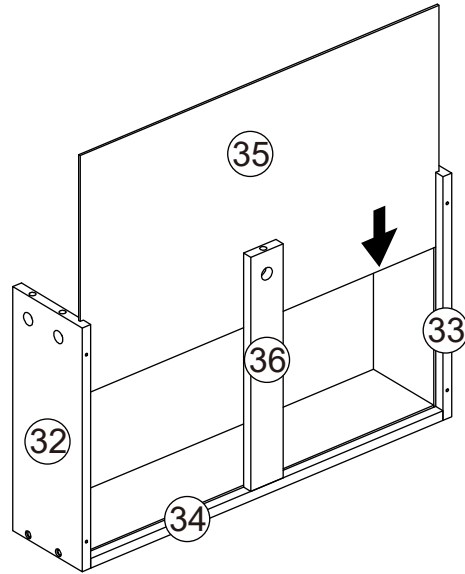
ⓔ x 10pcs



x2

x2

Step 39

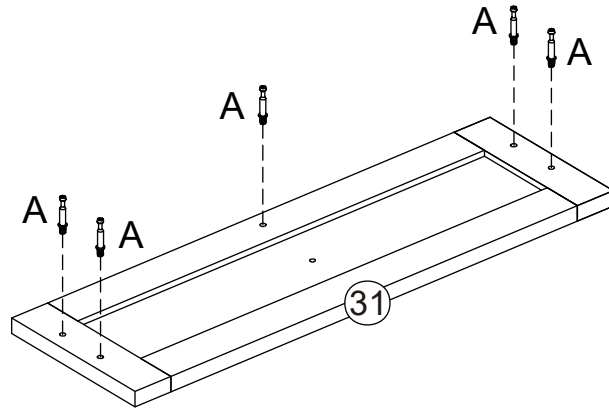


x2

○ x 16pcs

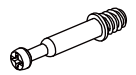


Step 40

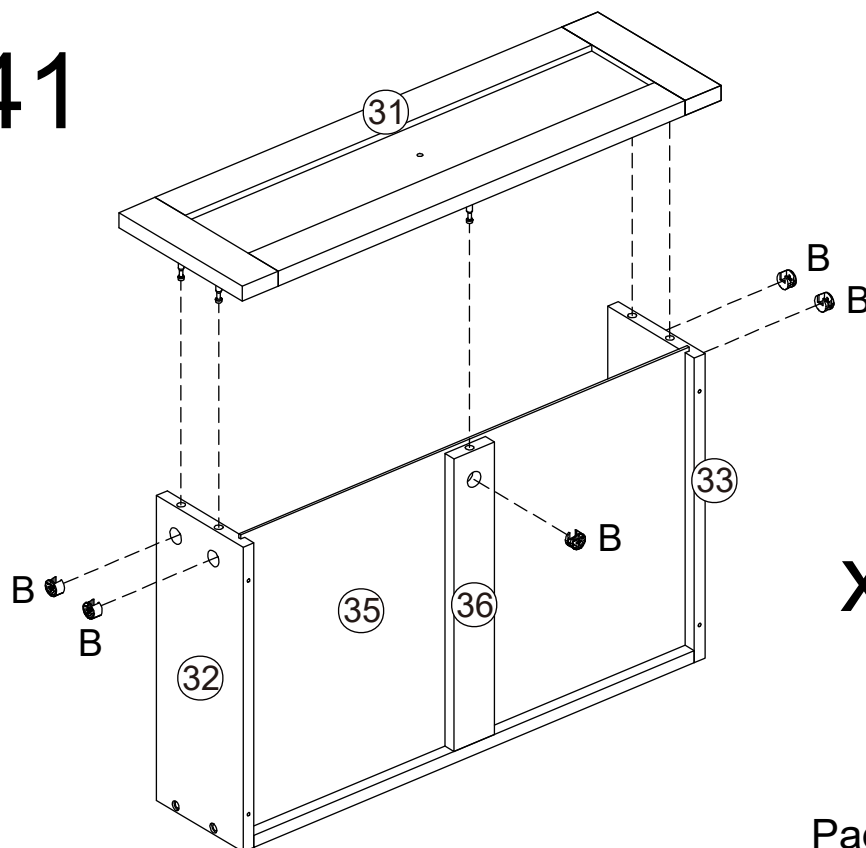


x2

Ⓐ x 10pcs



Step 41

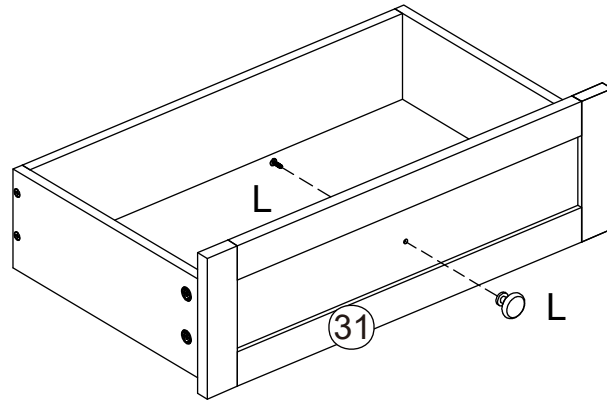
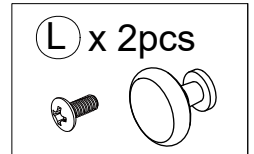


x2

Ⓑ x 10pcs

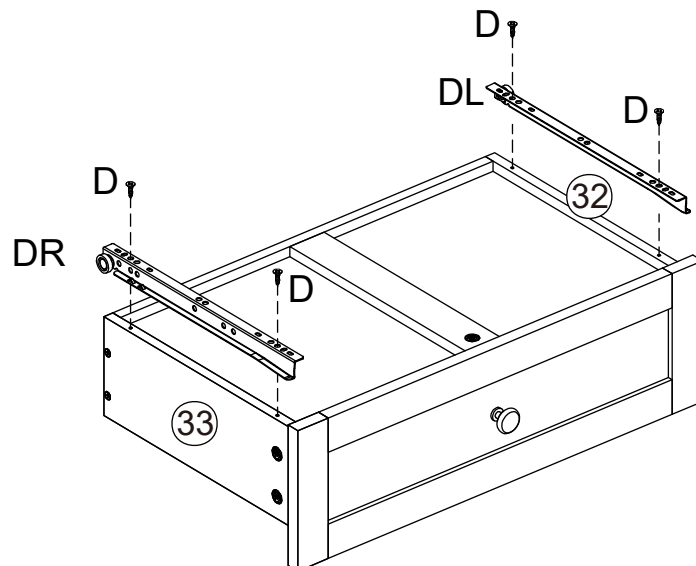
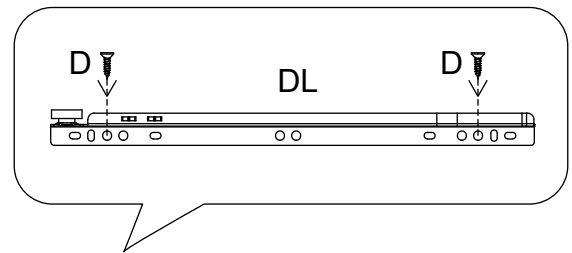
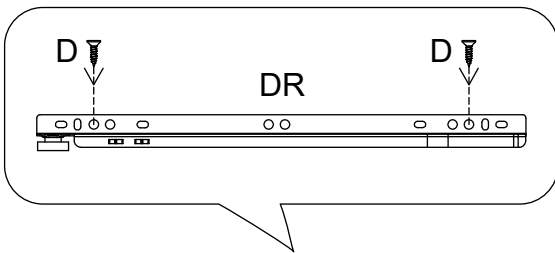
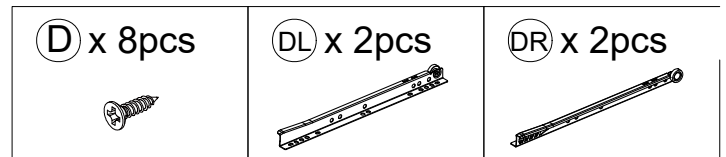


Step 42



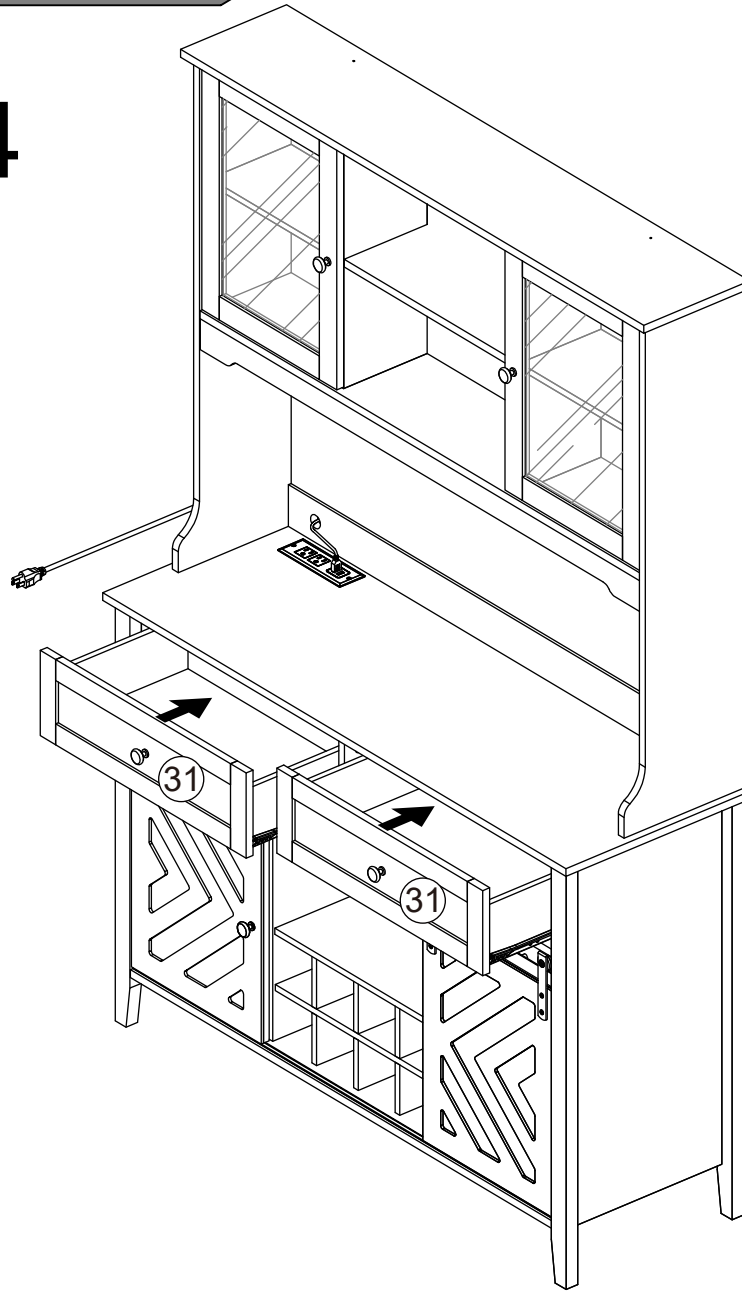
x2

Step 43


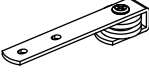
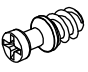


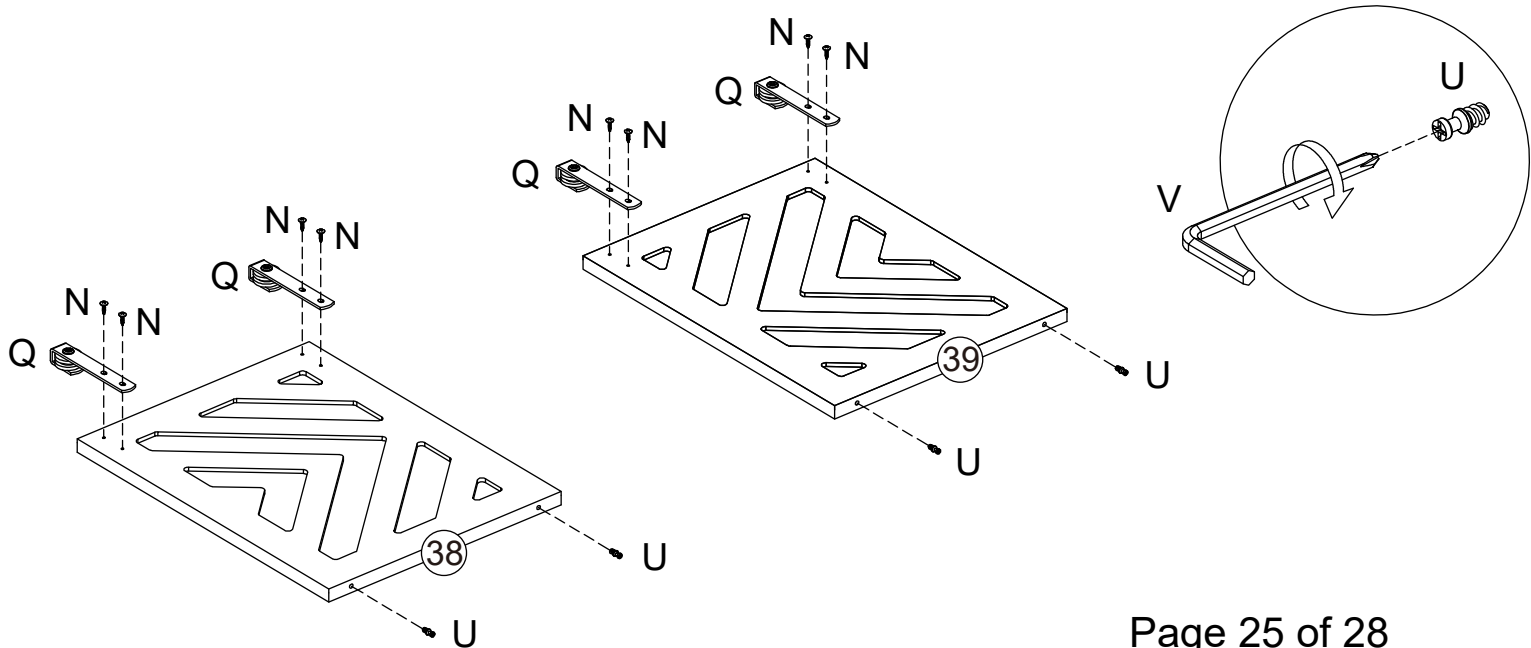
x2

Step 44

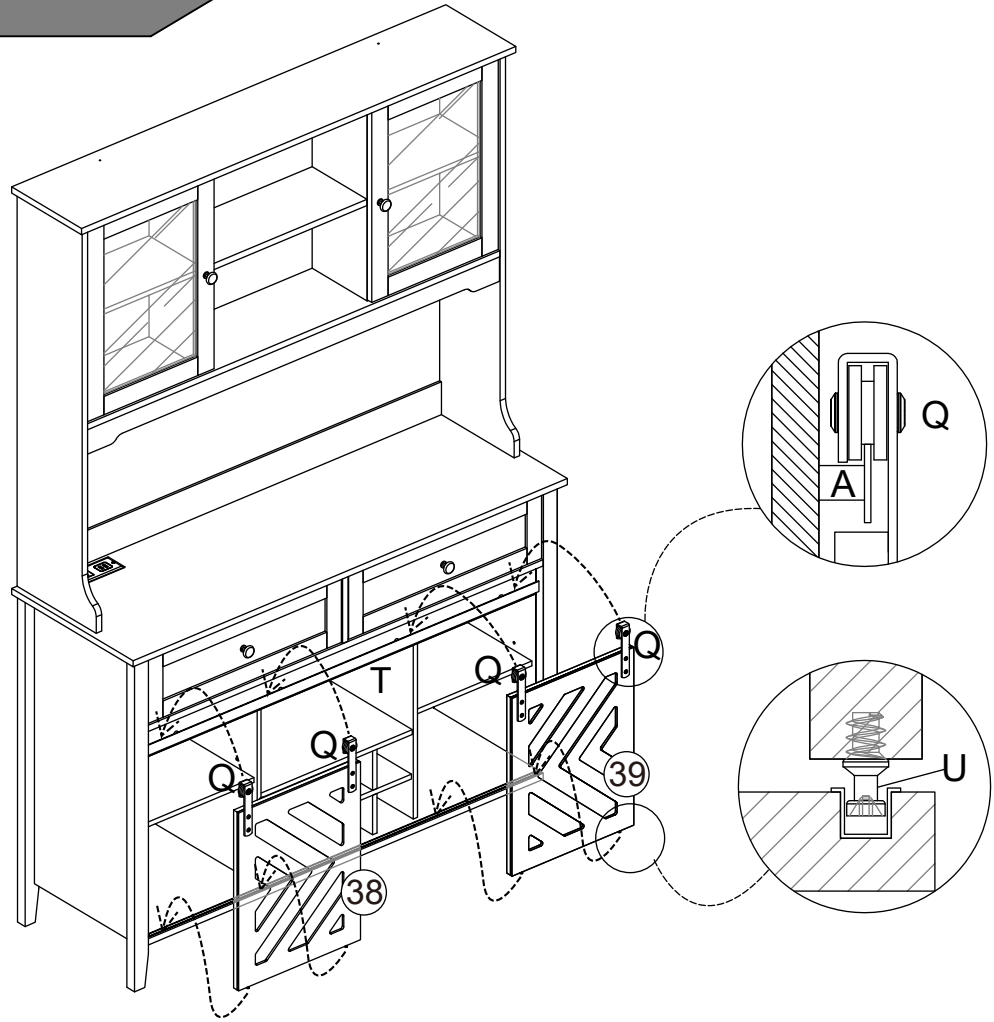


Step 45

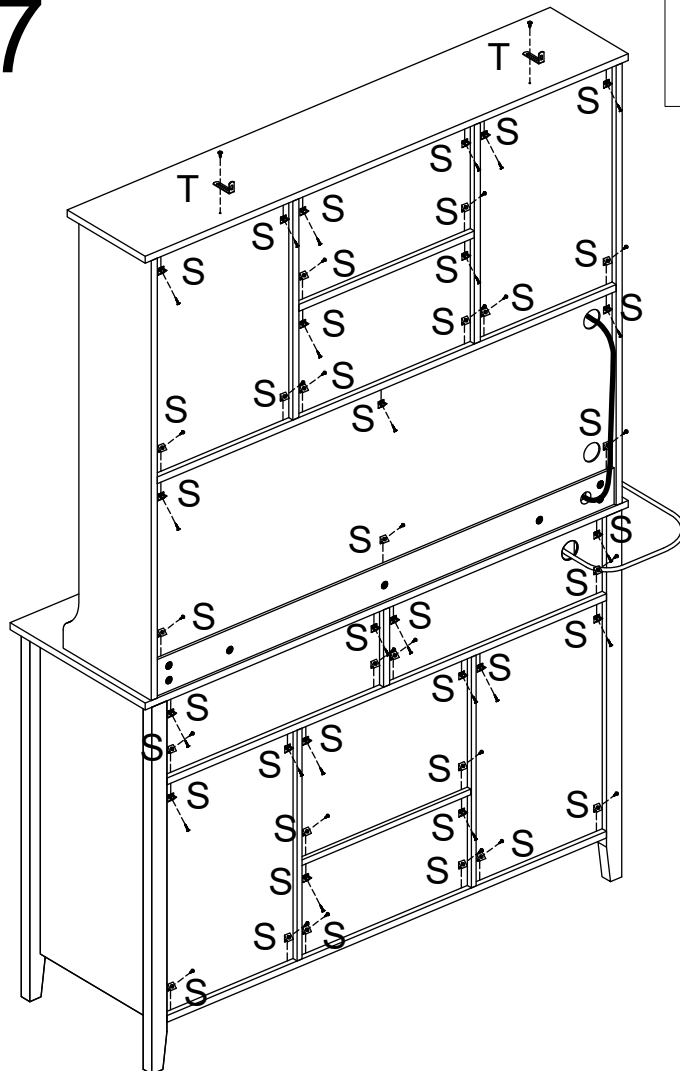
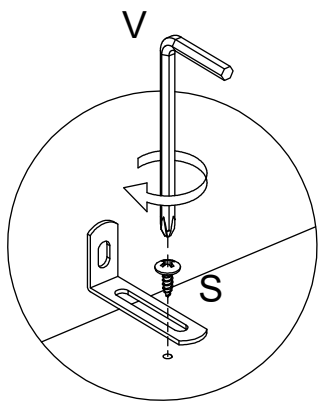
N x 8pcs 	Q x 4pcs 	U x 4pcs 
---	--	--

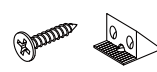
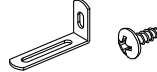


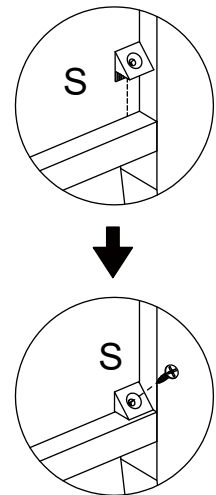
Step 46



Step 47



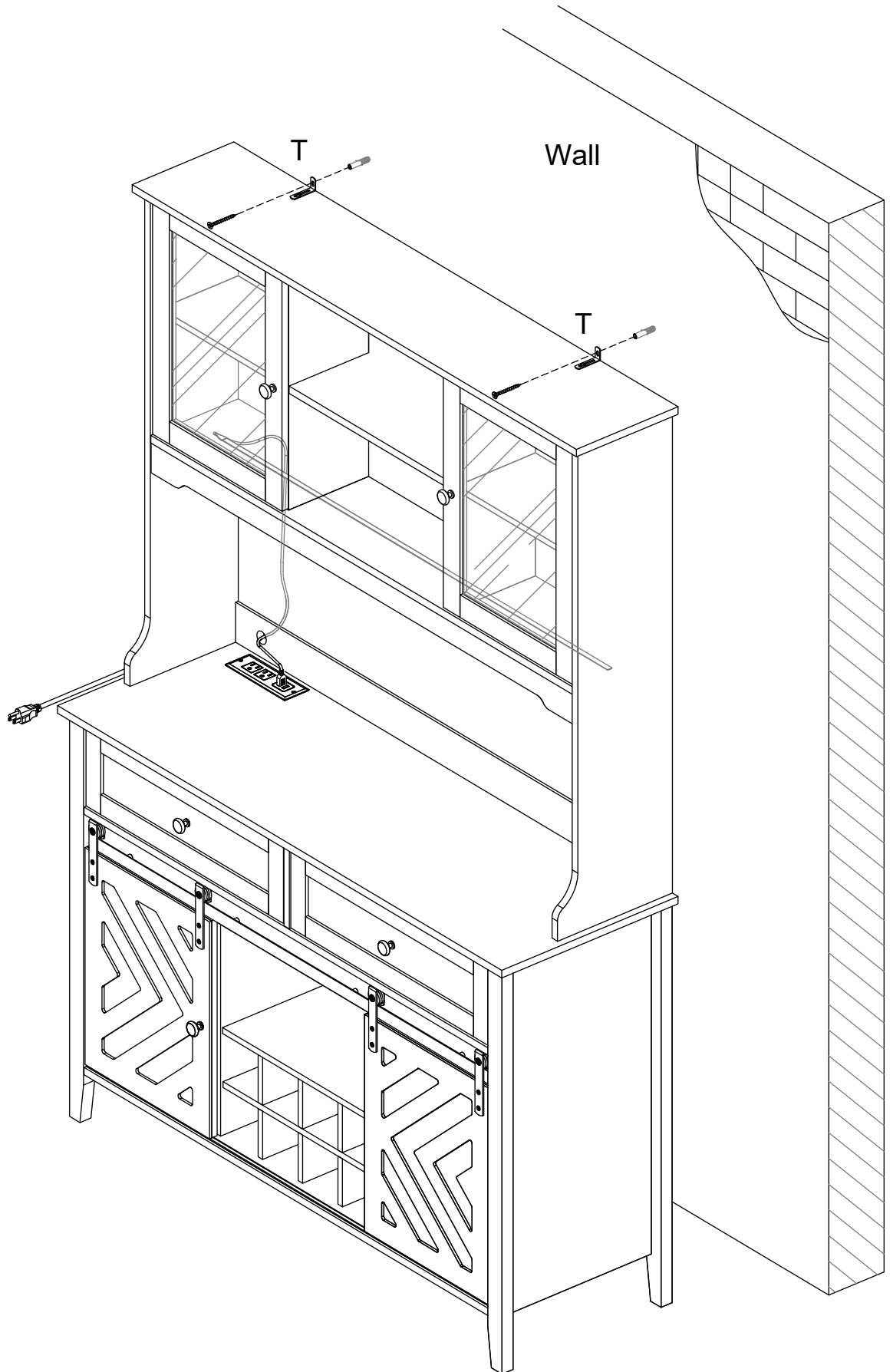
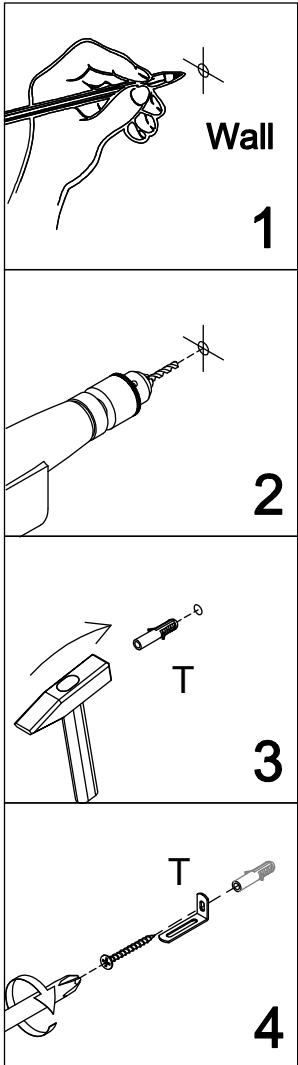
S x 46pcs	T x 2pcs
	



Ⓢ x 2pcs



Step 48



Dear customer, thank you for purchasing Idealhouse products! We are proud to present our customers with high quality products!



If you have any product quality or use problems, please contact our customer service by email, we will ensure your satisfaction.



If you are satisfied with our products, please share your amazing experience with us and other customers! It would be our honor to hear from you!