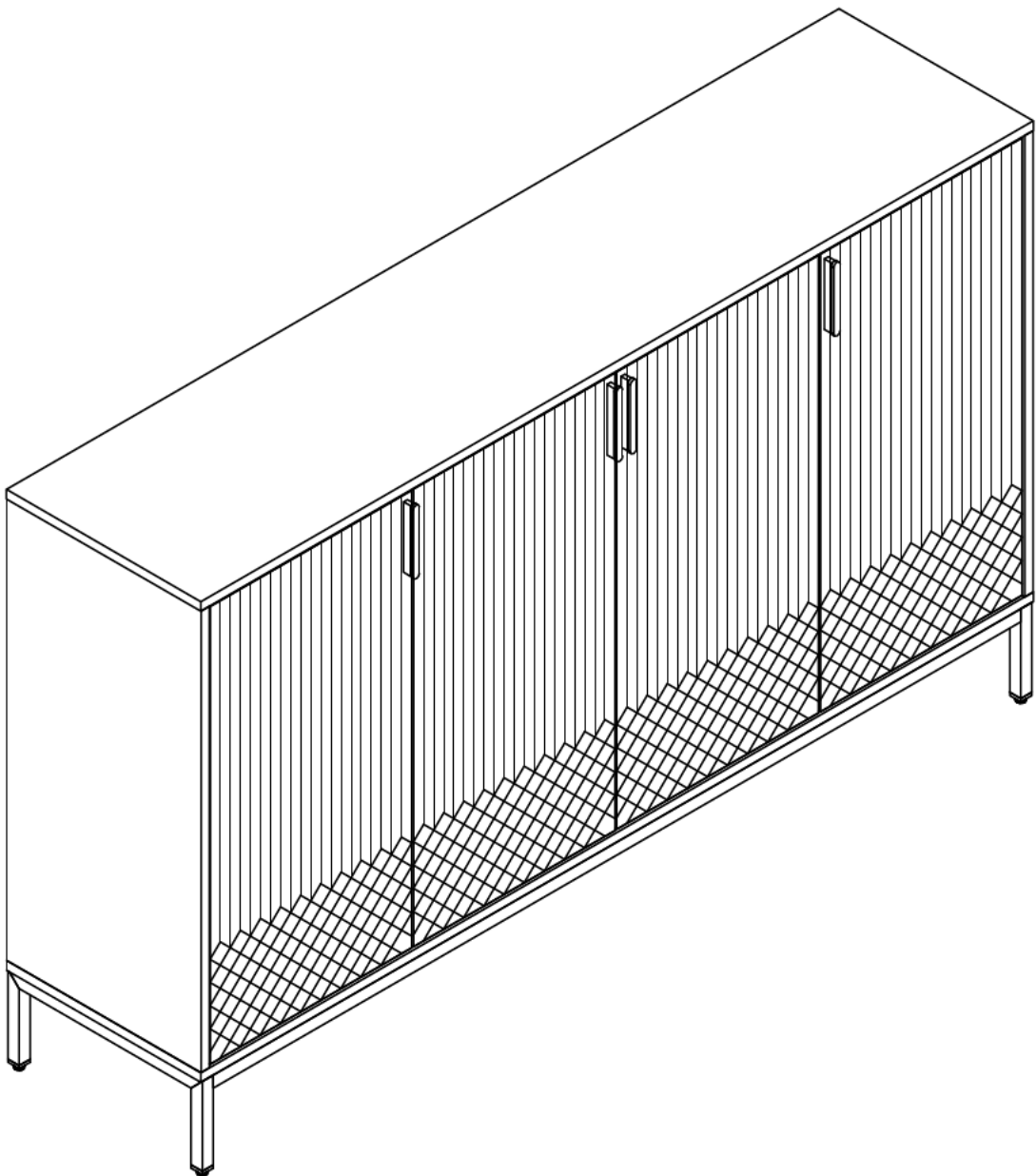


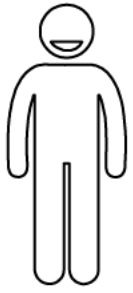
Assembly Instructions



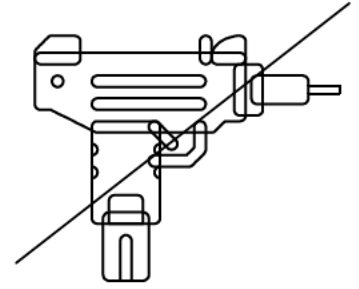
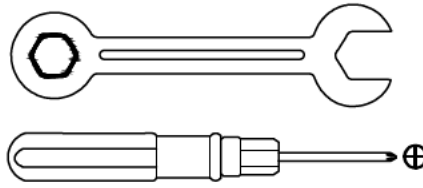
Sideboard

Assembly Instructions:

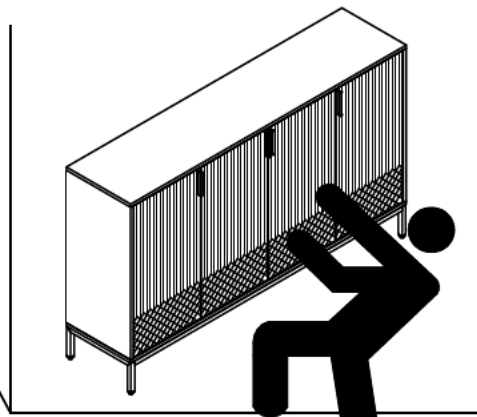
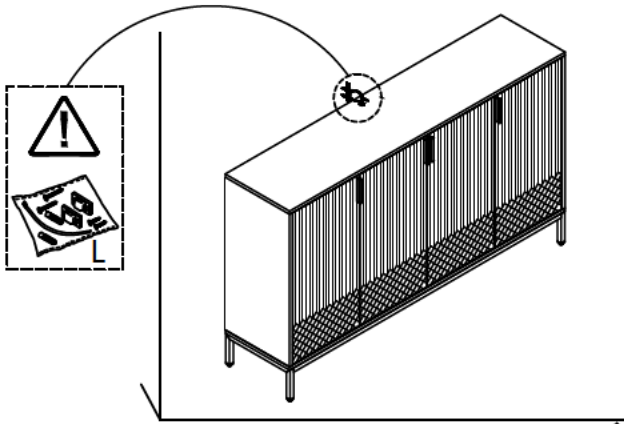
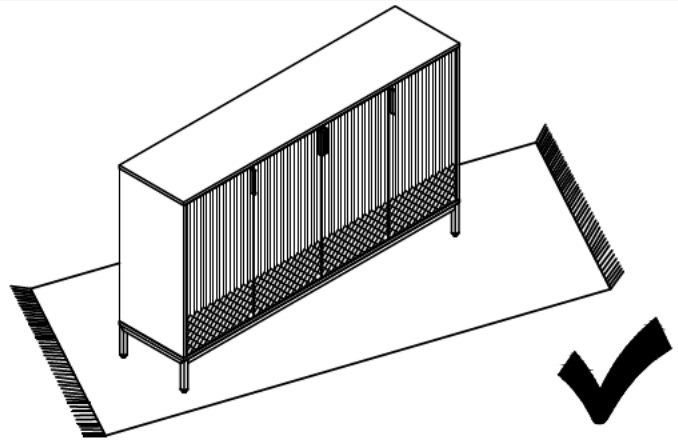
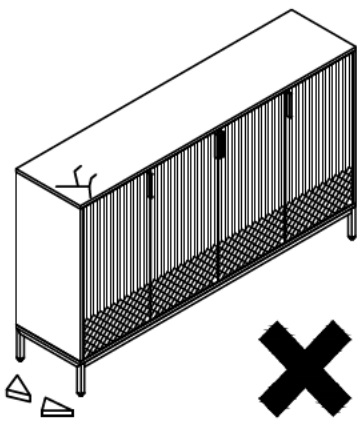
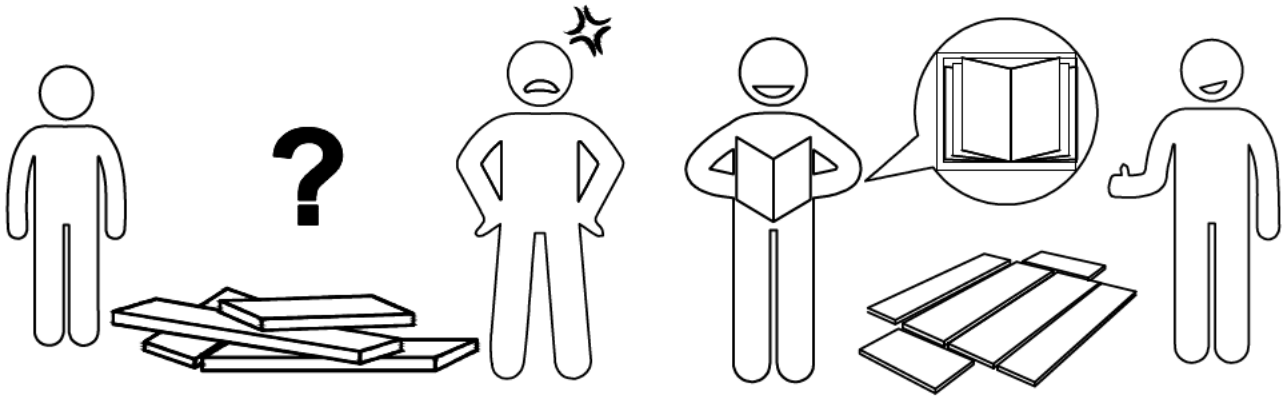
1. Carefully read these instructions and keep them for future reference.
2. Refer to the parts list for guidance and ensure that you have all the pieces before starting the assembly process, if anything is missing, damaged, incorrect, contact us **FIRSTLY BEFORE** assembling.
3. When assembling, place all parts on a soft, clean, and flat surface, such as a carpet, to prevent any scratches.
4. To avoid misalignment of the holes, Please don't full tighten the screws until you ensure all parts in place.



X2

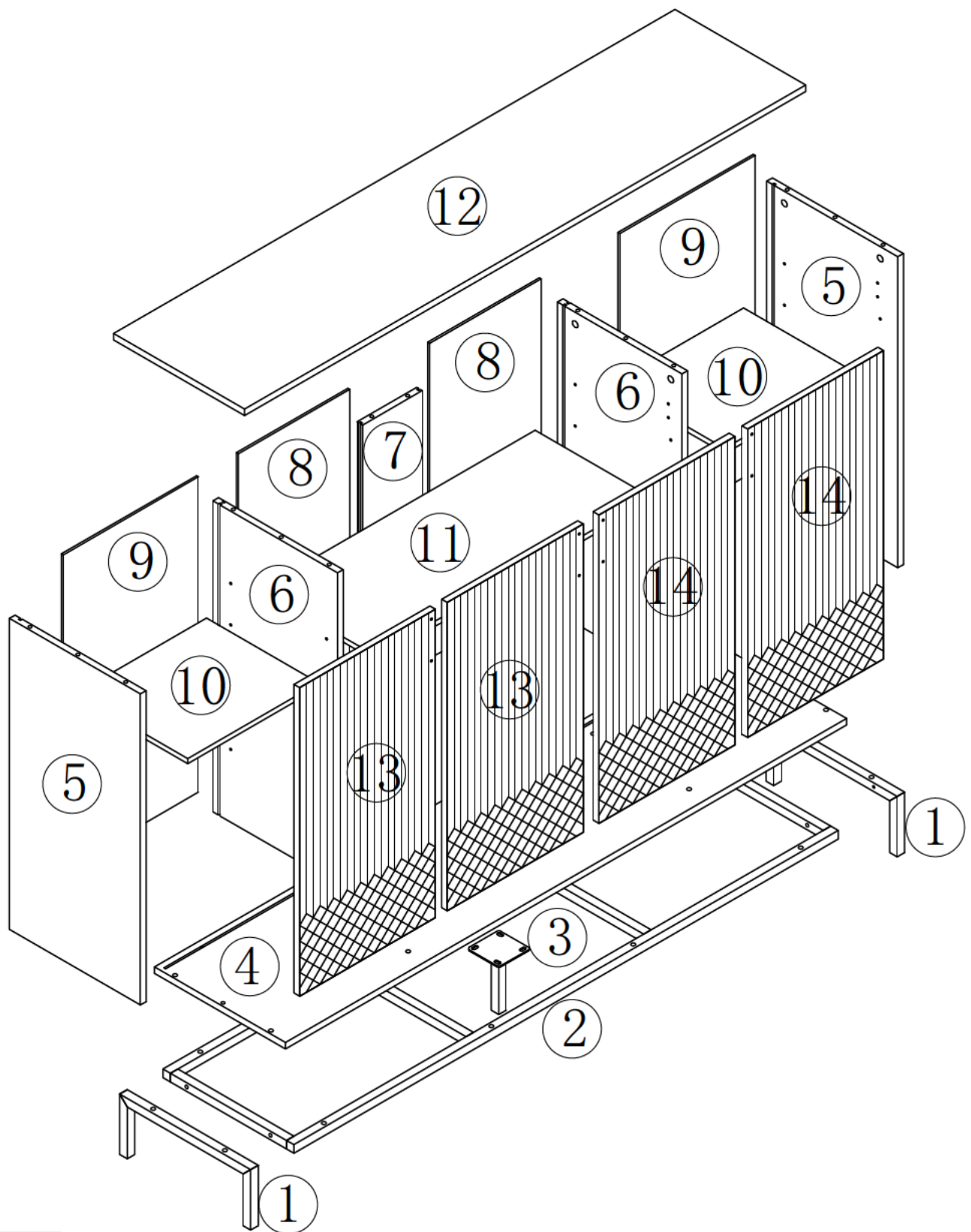


When using the electric screwdriver ,
Reduce the power and torque to avoid damaging the furniture



(Install tip-over restraint provided)

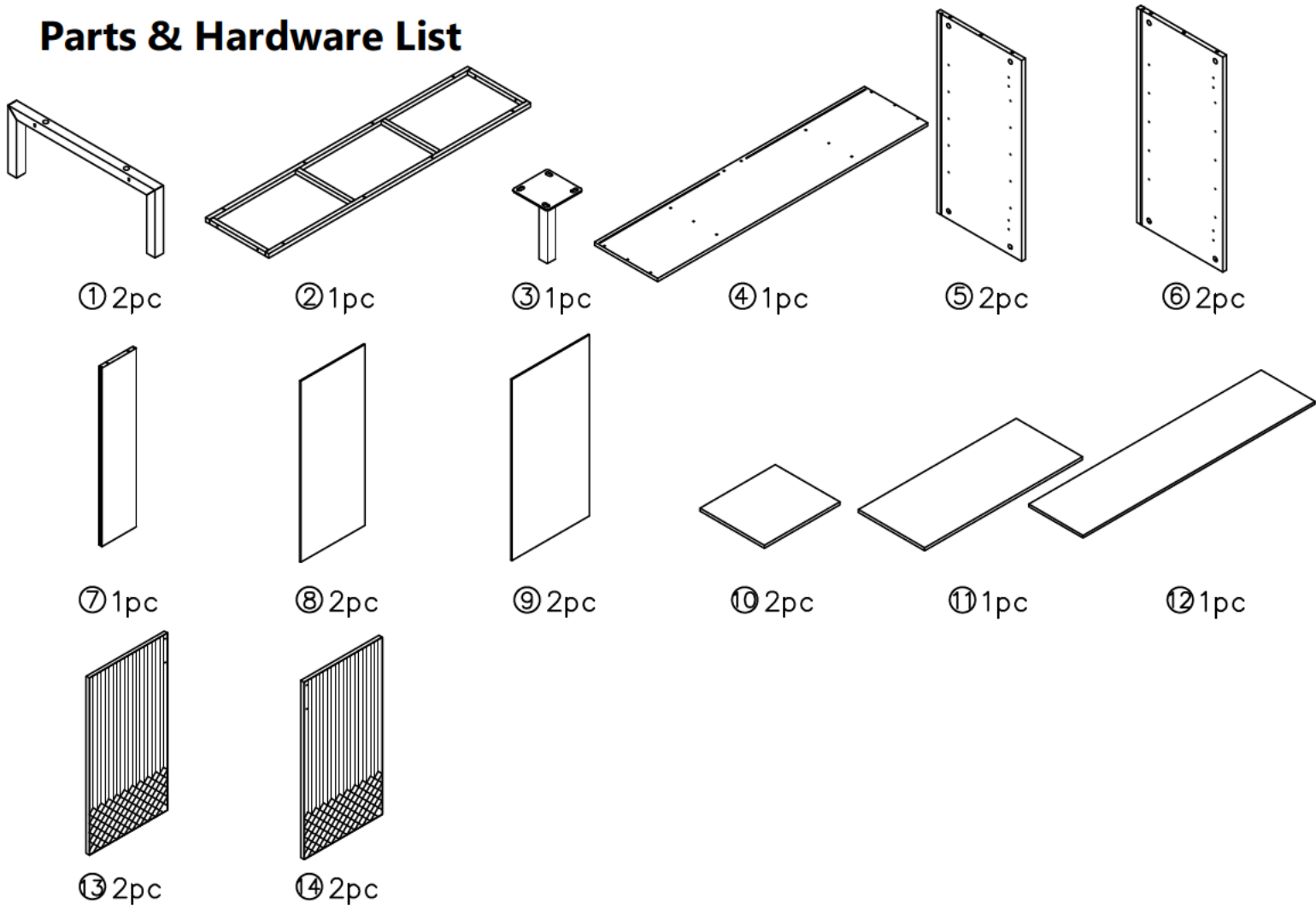
Use of tip-over restraints may only reduce but not eliminate,
the risk of tip-over.



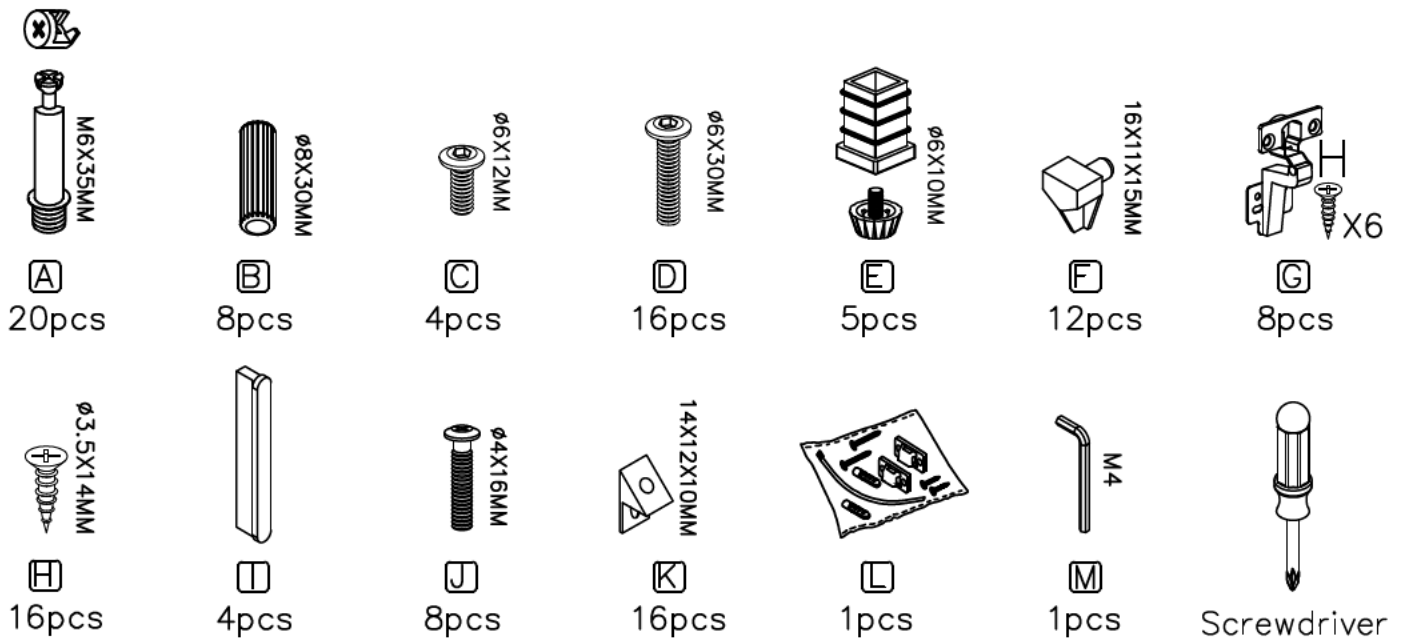
⚠ Caution

Make sure all parts are included. Most board parts are labeled or stamped on the raw edge. Contact us for free replacement if having damaged or missing parts.

Parts & Hardware List

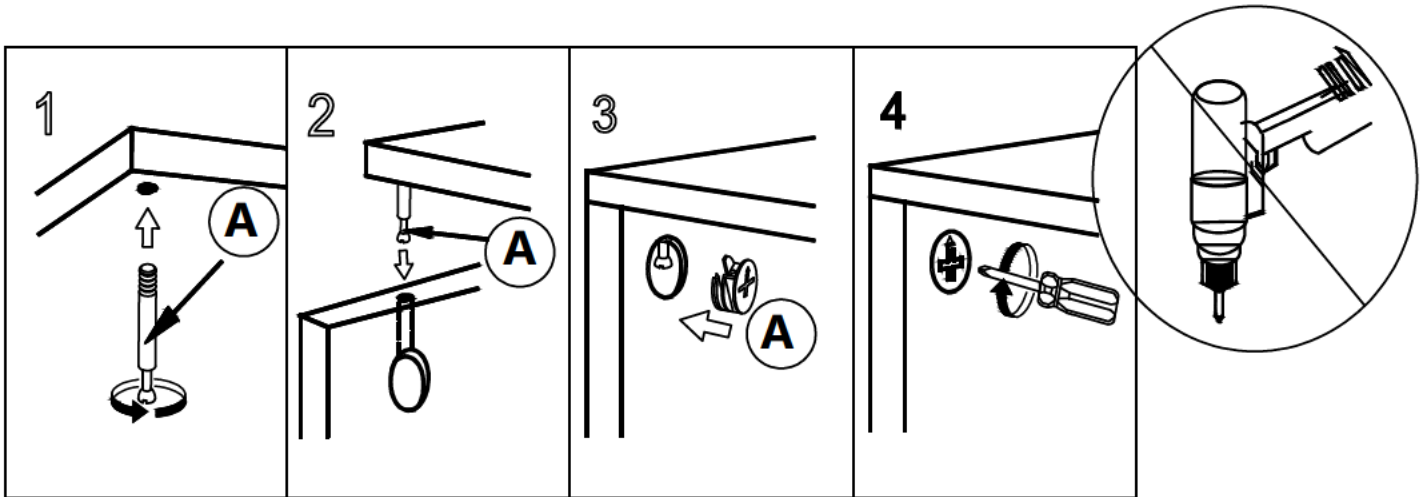


Hardware List

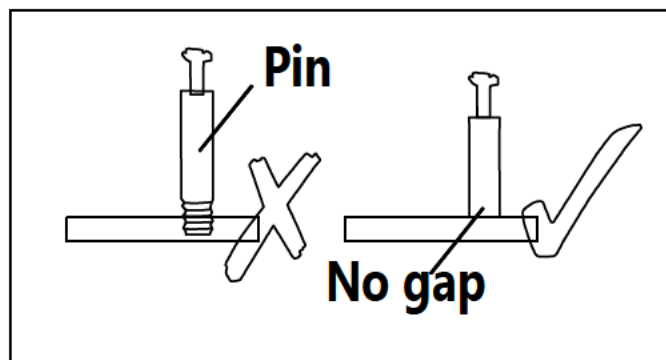


Installation of Cams and Pins

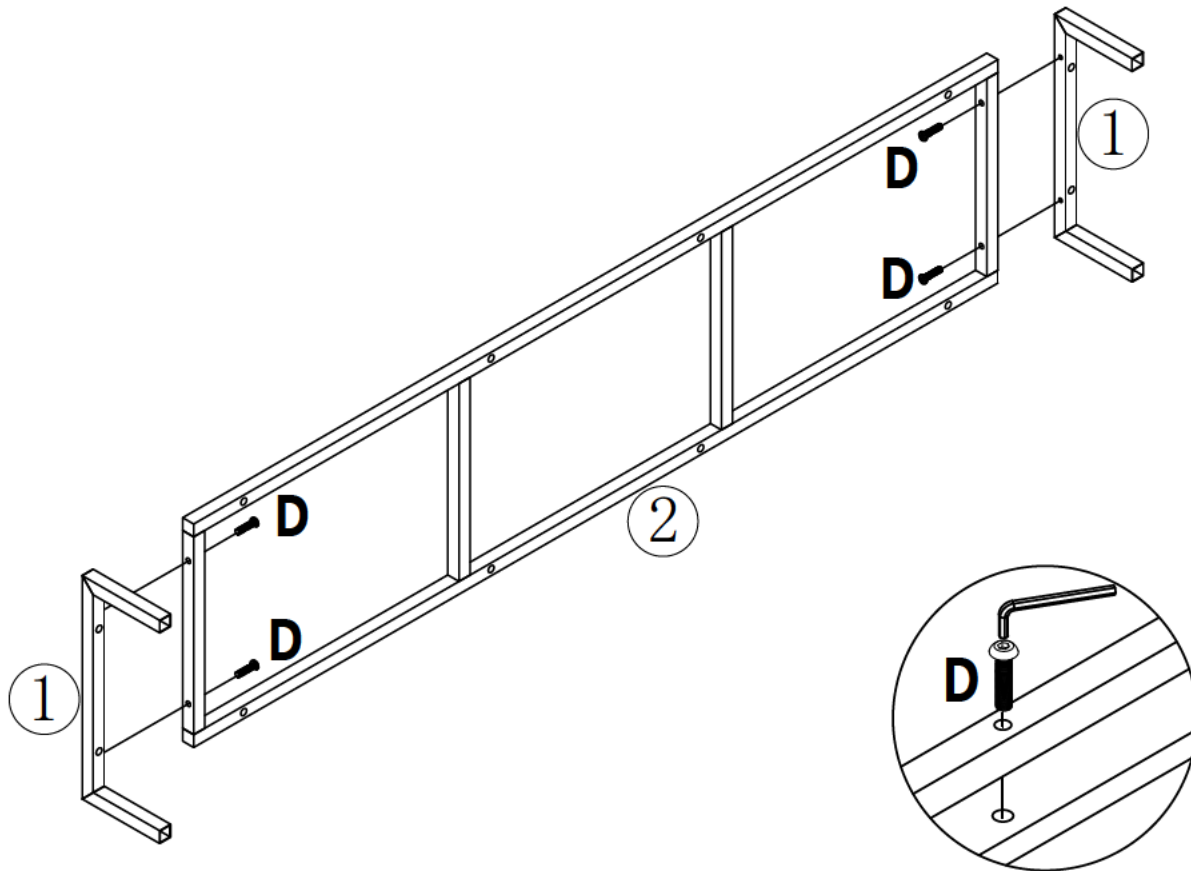
Screw the pin into the hole. To set the cams correctly, ensure that the arrow on the cam is opening to the hole of the pin it is locking. Lock the cam by turning the cam head with a screwdriver until it is tightened. Please do not use an electric screwdriver to assemble the unit.



Read each step carefully before starting. It is very important that each step of instruction is performed in the correct order. If these steps are not followed in sequence, assembly difficulties will occur.

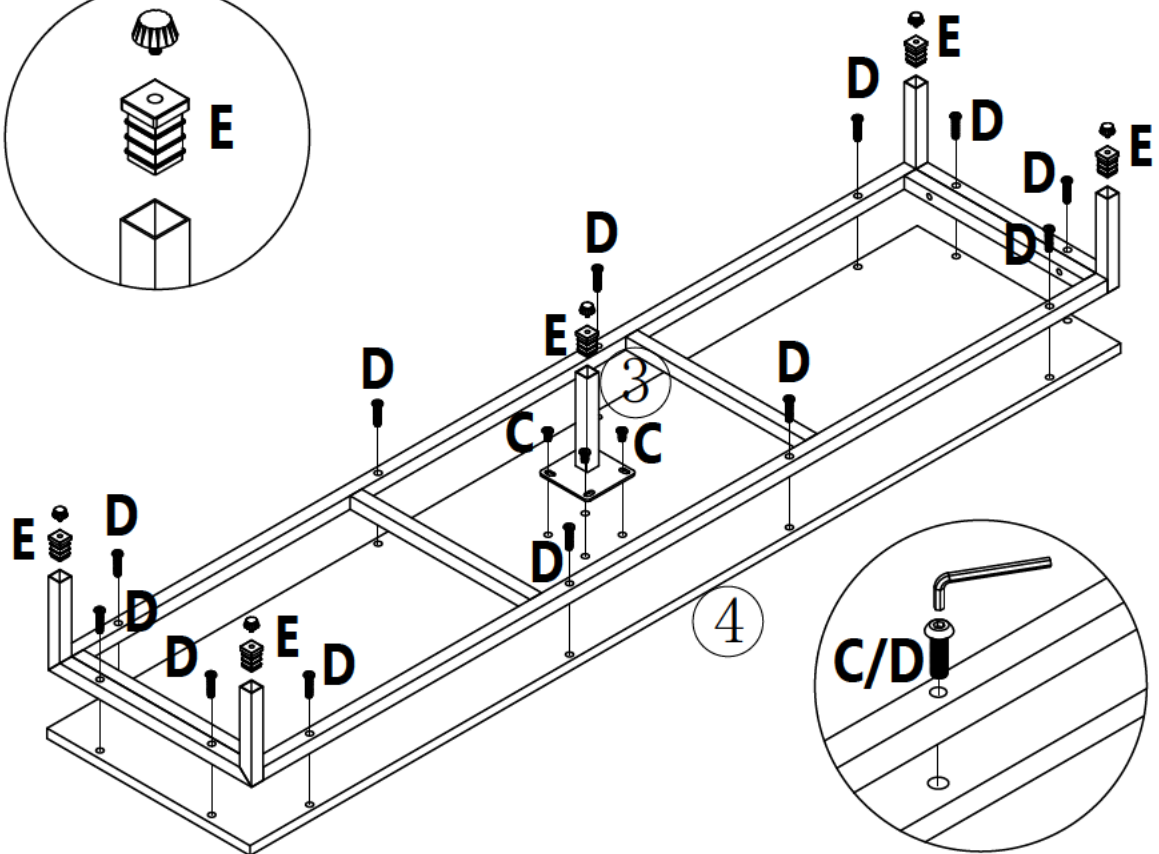
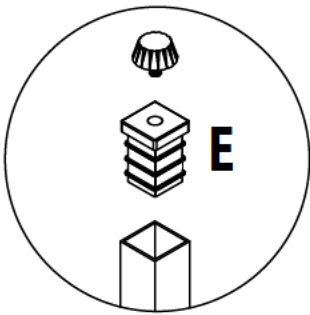


1



D X4

2

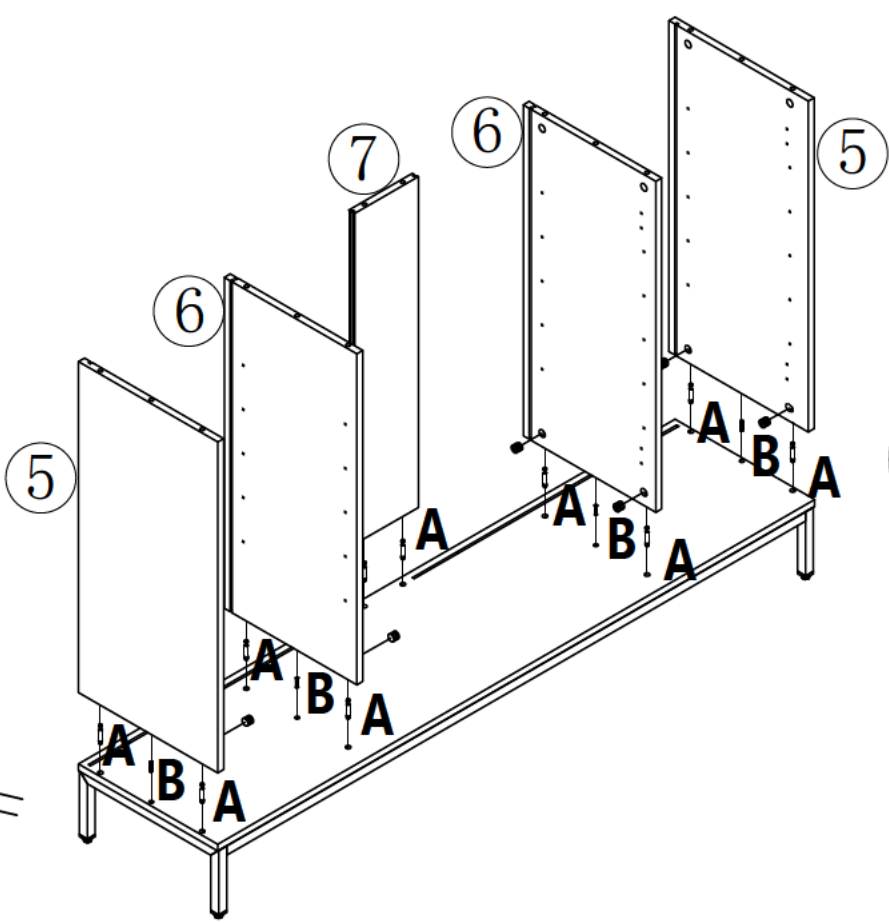
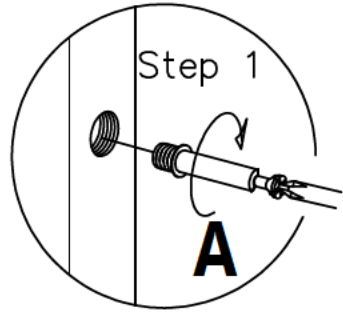
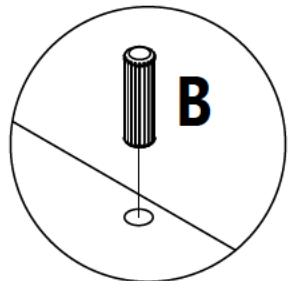


C X4

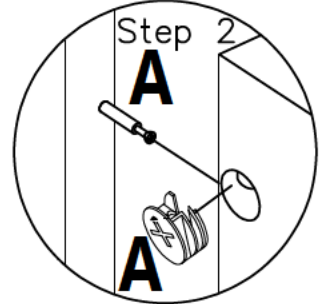
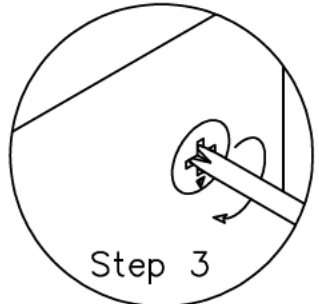
D X12

E X5

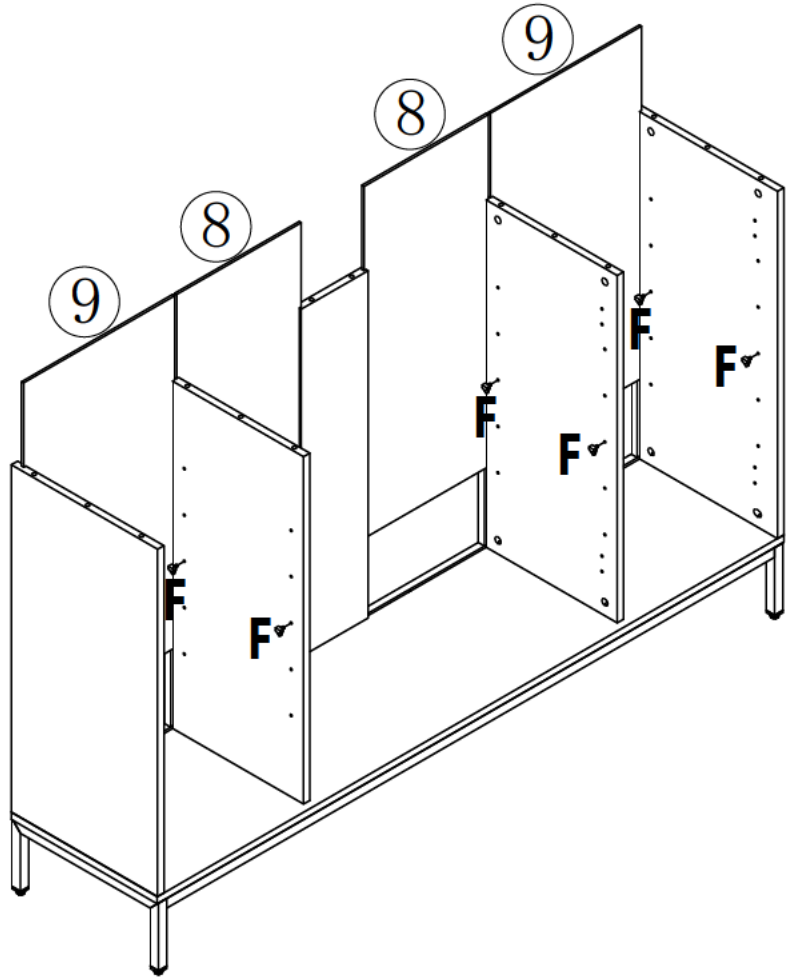
3



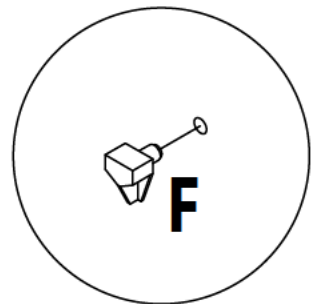
- A** X10
- B** X4



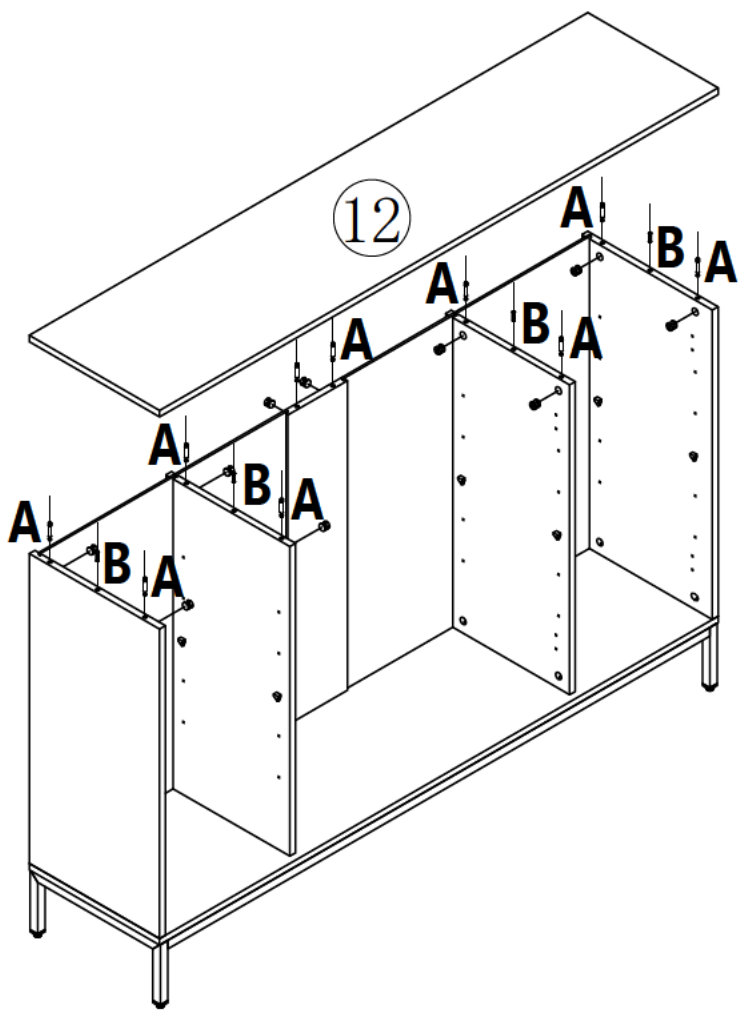
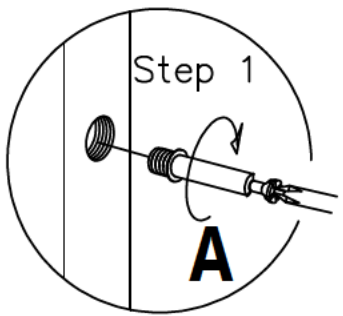
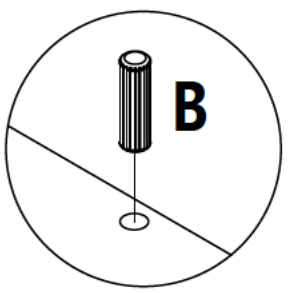
4



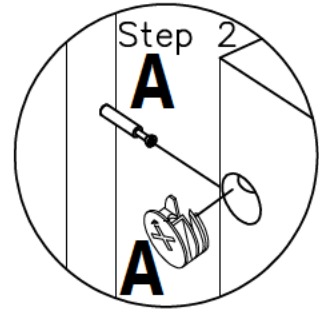
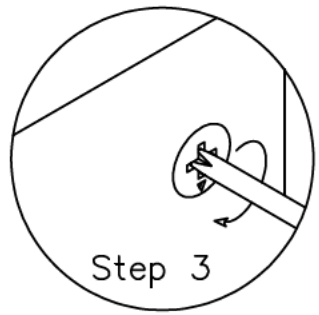
- F** X12



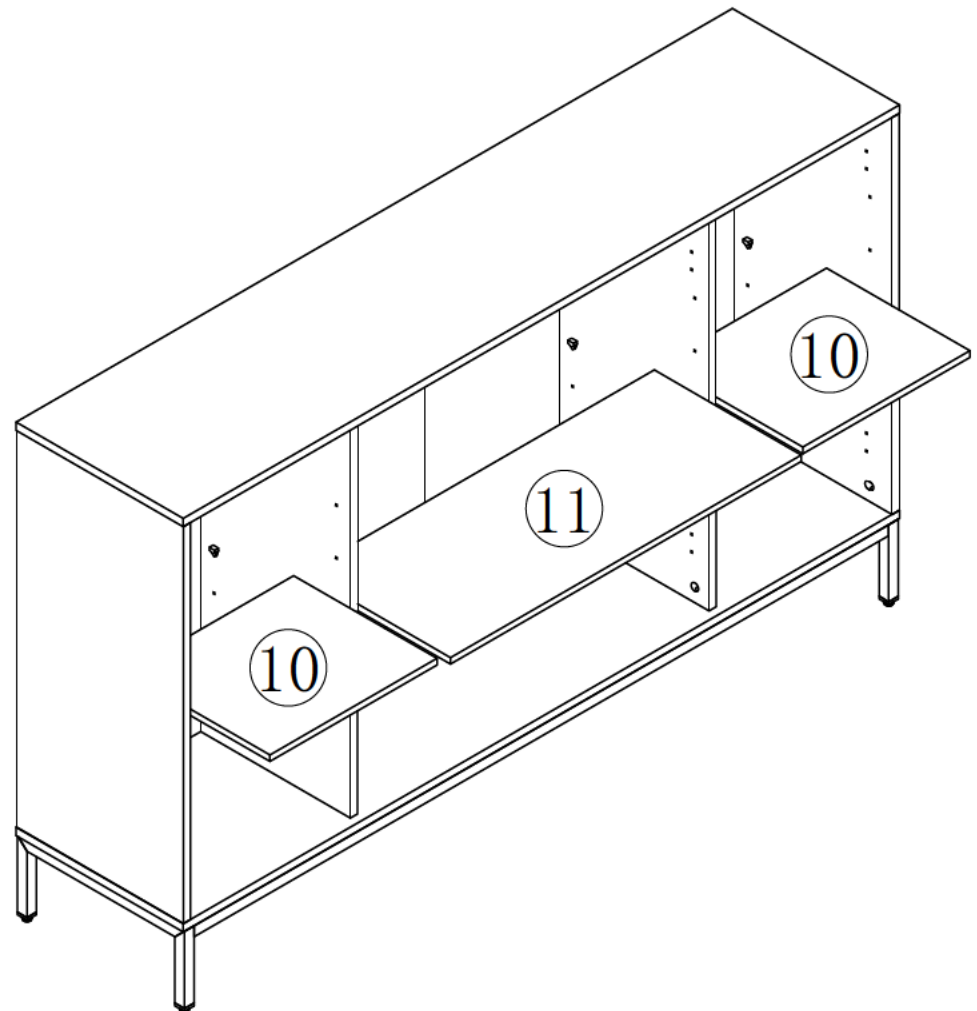
5



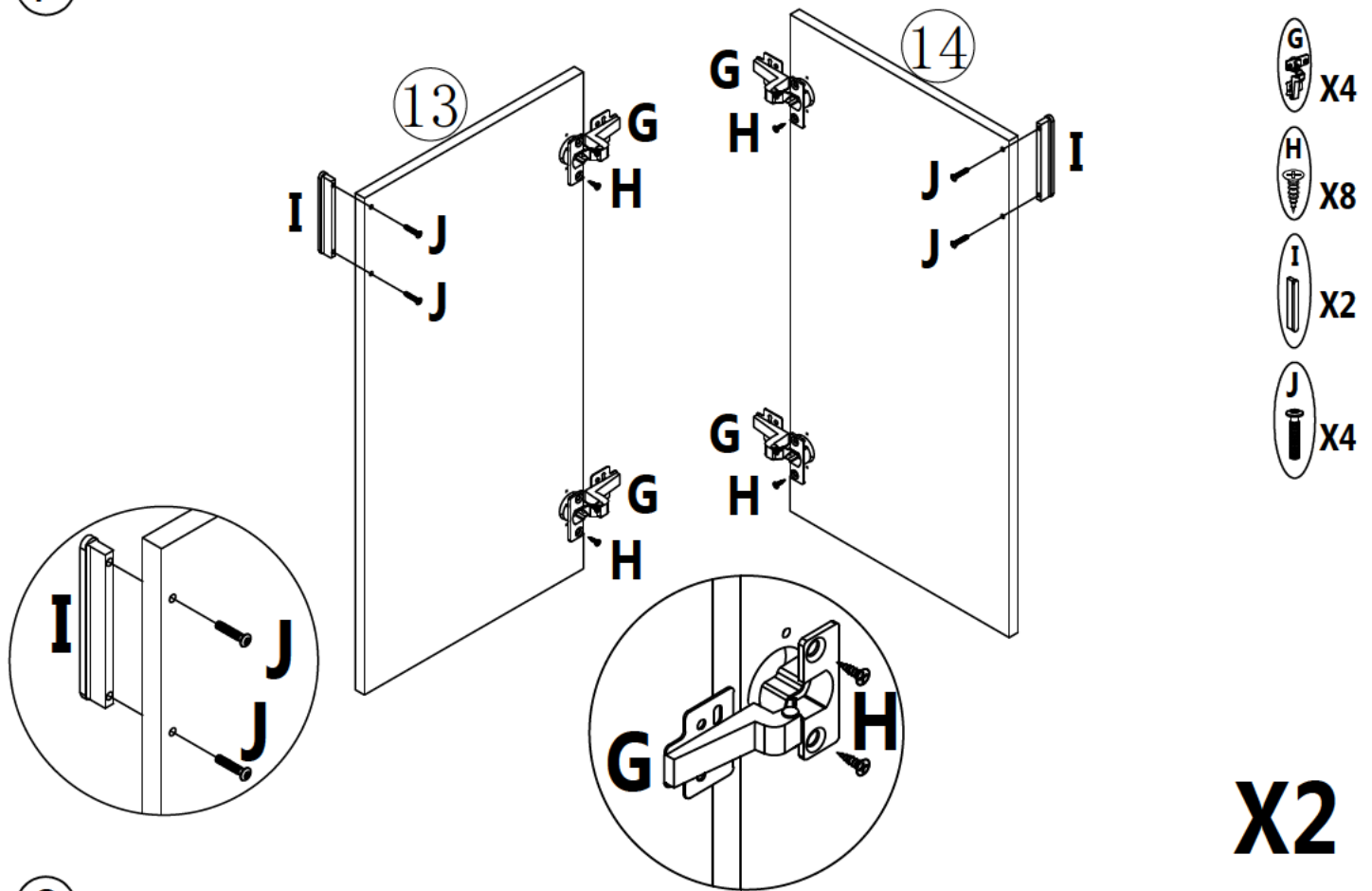
- A** X10
- B** X4



6



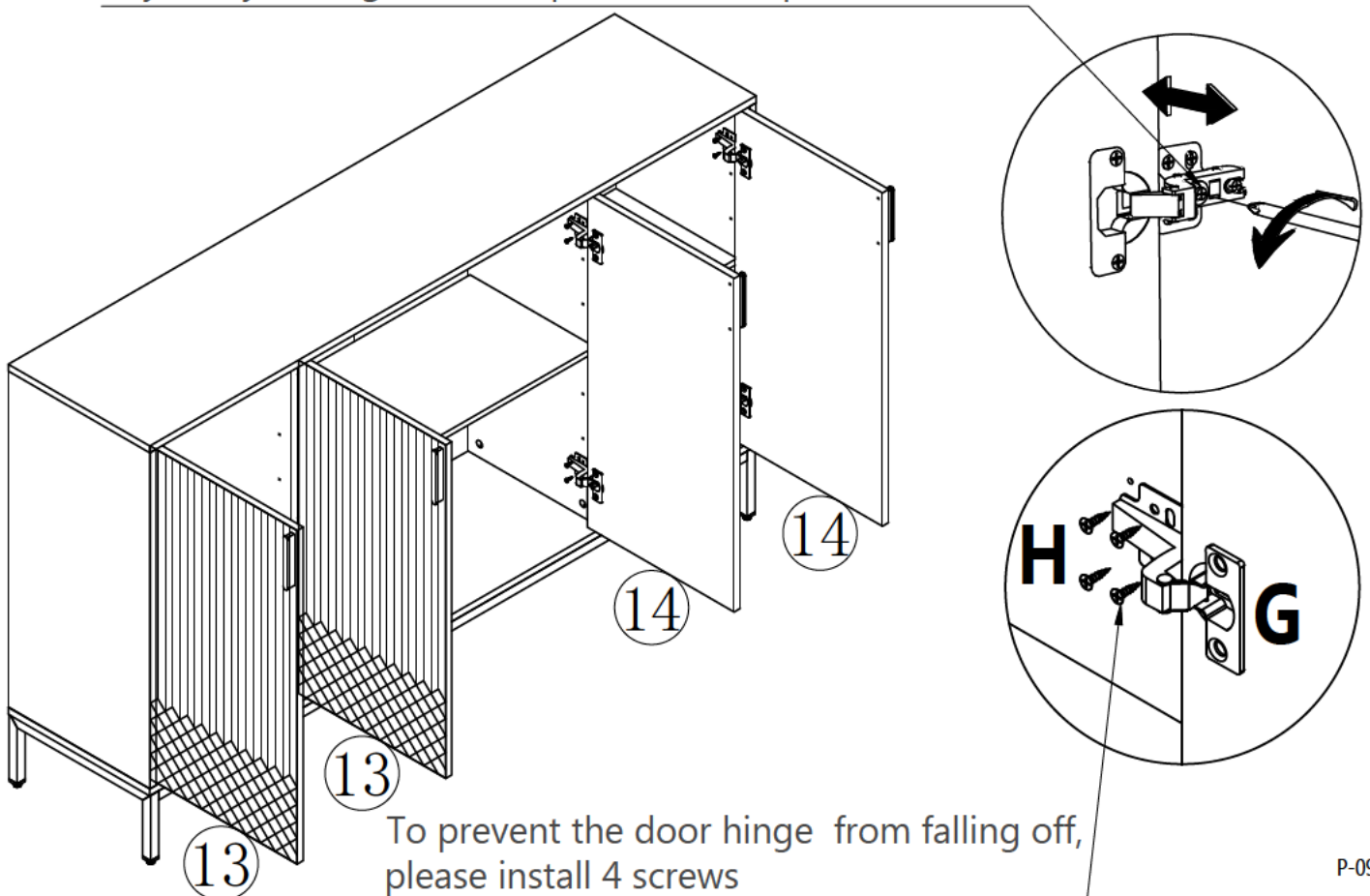
7



8

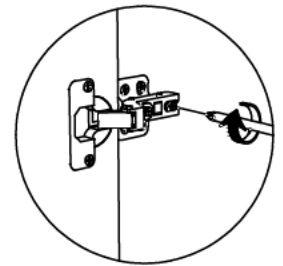
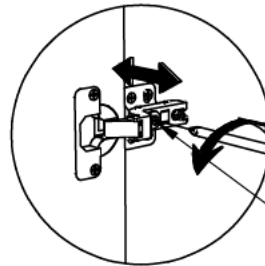
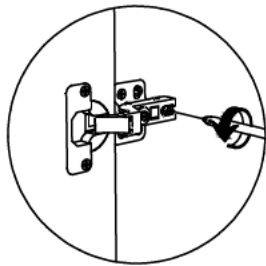
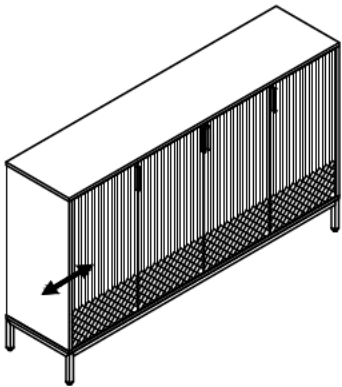
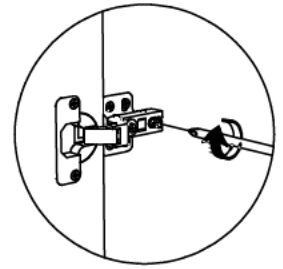
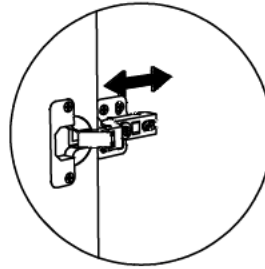
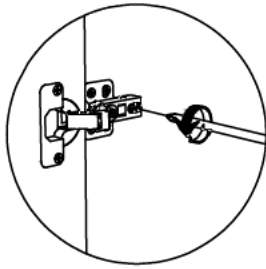
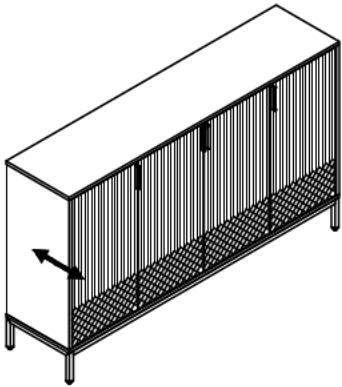
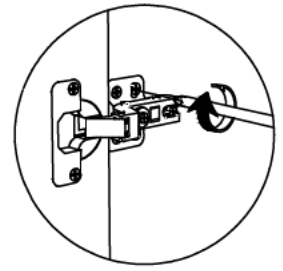
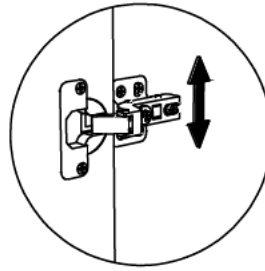
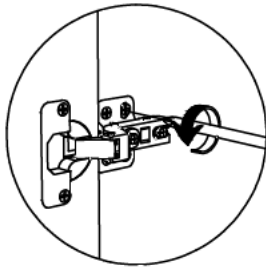
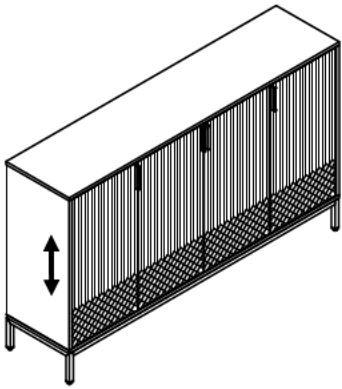
When adjusting the left and right sides of the door panel, this screw should not be loosened too much, otherwise it may easily damage the side panel or door panel

H X32

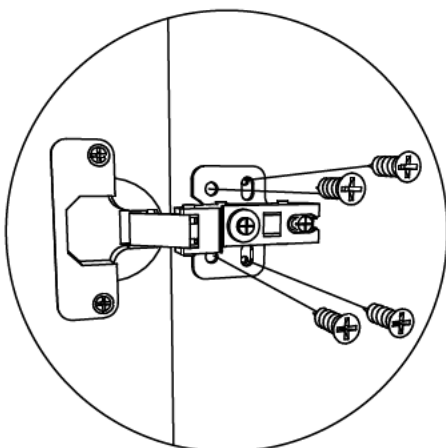


To prevent the door hinge from falling off, please install 4 screws

13



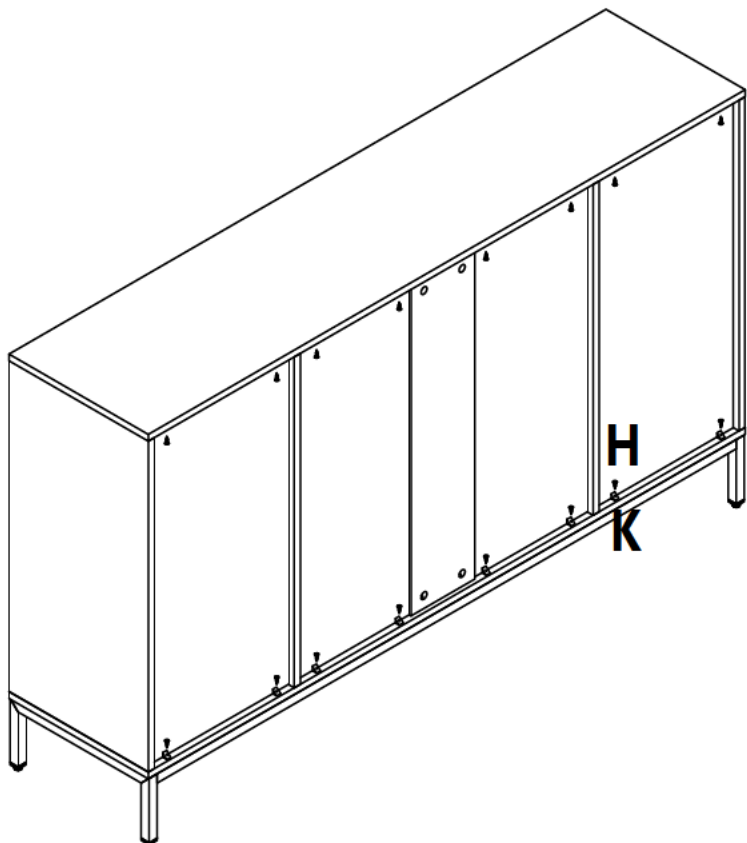
When adjusting the left and right sides of the door panel, this screw should not be loosened too much, otherwise it may easily damage the side panel or door panel



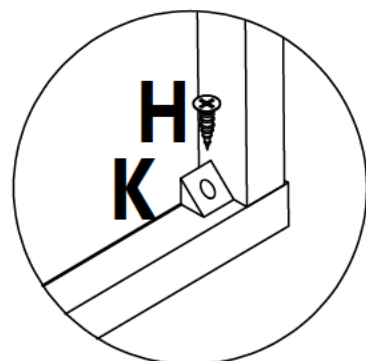
If there is misalignment after you install, adjust the screw to the best condition

To prevent the door hinge from falling off, please install 4 screws

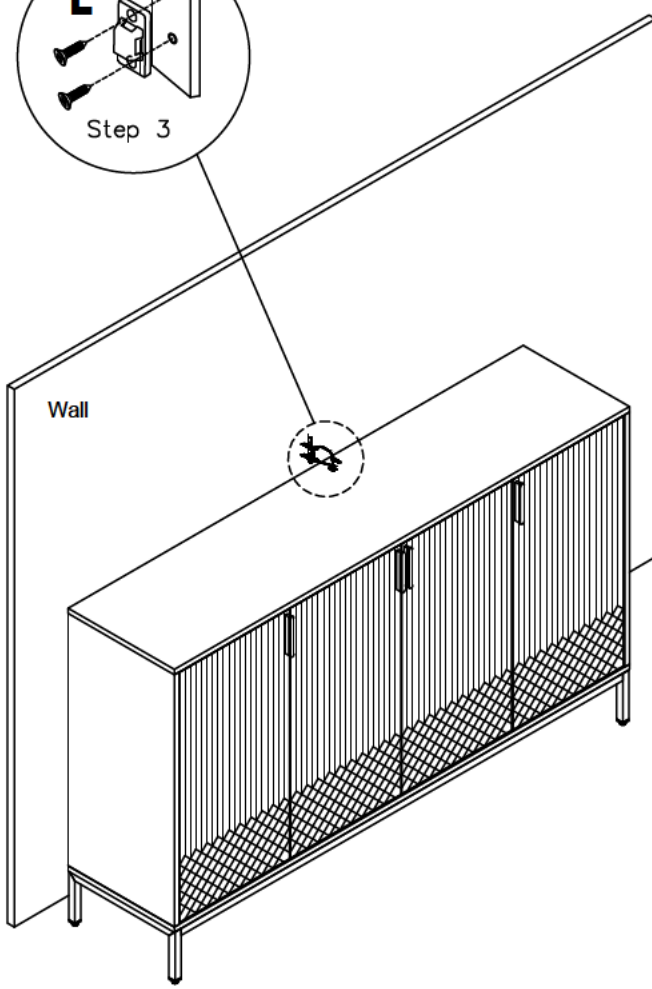
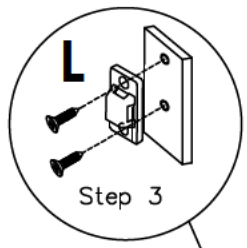
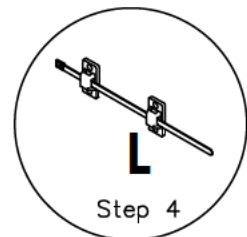
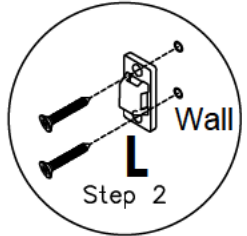
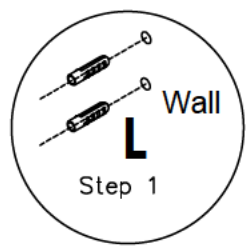
9




-  H X16
-  K X16



10



-  L X1