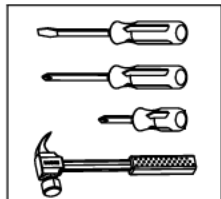


60 MIN



x2



Self-Assemble
tool request

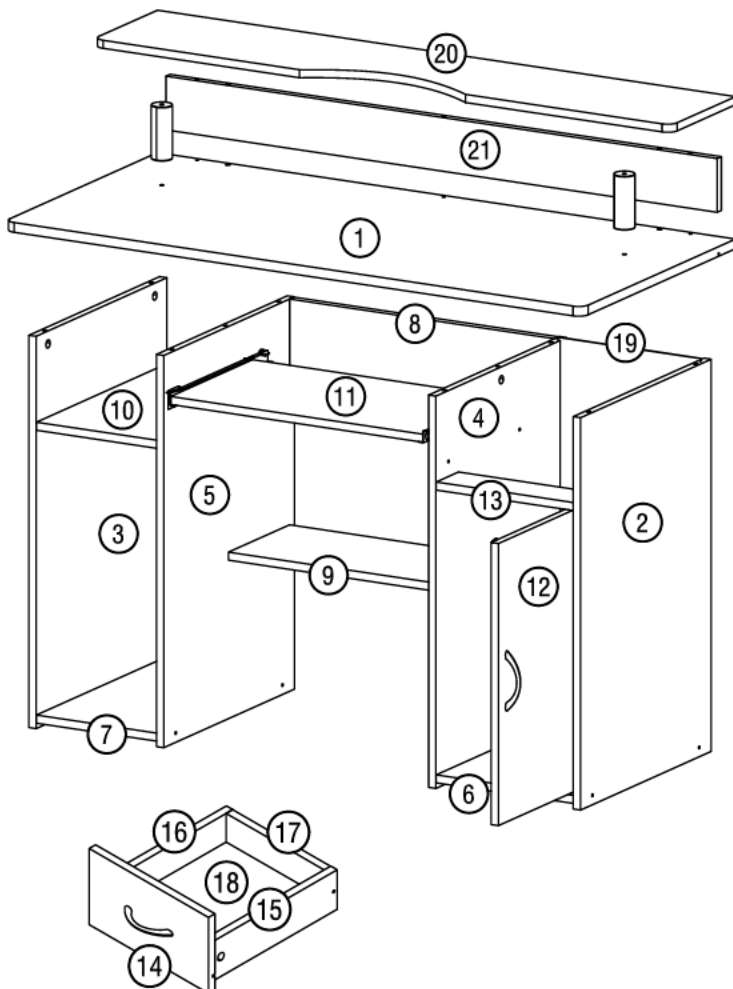
Instructions/Instrucciones/Mode d'emloi









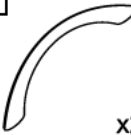


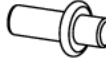
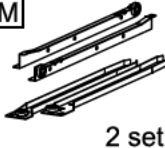



- Do not tighten bolts completely until desk is fully assembled
- Por favor no apretar los tornillos hasta que haya ensamblado
- el escritorio completamente

PARTS LIST

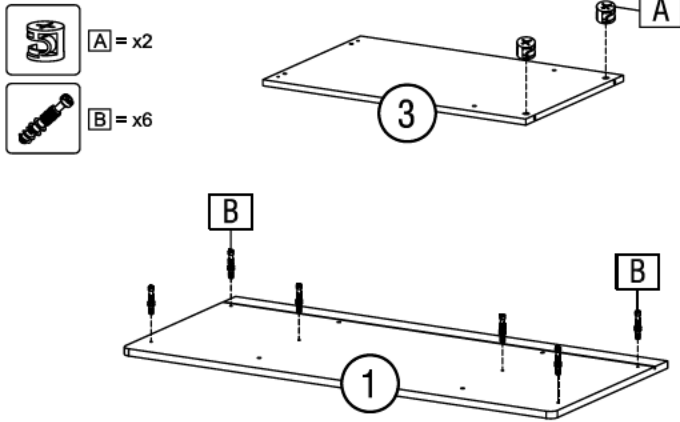
| | |
|----|----|
| 1 | x1 |
| 2 | x1 |
| 3 | x1 |
| 4 | x1 |
| 5 | x1 |
| 6 | x1 |
| 7 | x1 |
| 8 | x1 |
| 9 | x1 |
| 10 | x1 |
| 11 | x1 |
| 12 | x1 |
| 13 | x1 |
| 14 | x1 |

| | |
|----|----|
| 15 | x1 |
| 16 | x1 |
| 17 | x1 |
| 18 | x1 |
| 19 | x1 |
| 20 | x1 |
| 21 | x1 |

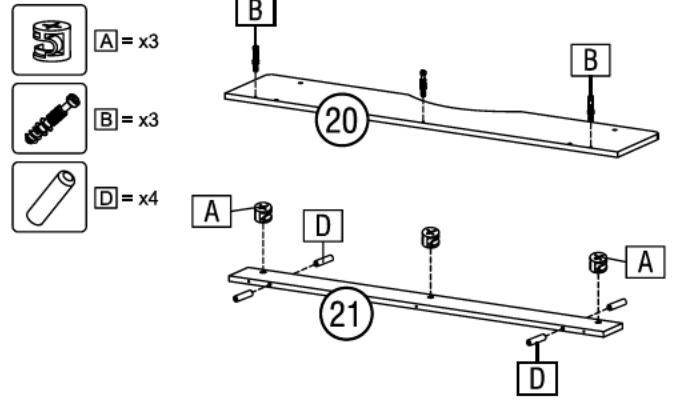


| | | | | | | |
|--|--|--|--|--|--|---|
| A  x11 | B  x11 | C  x11 | D  x40 | E  8 X 50 mm x21 | F  6 X 13 mm x16 | G  x2 |
| H  M4 x 22 mm x4 | I  x2 | J  x6 | K  1 set | L  x2 | M  2 set | N  6 X 15 mm x6 |
| O  4 X 13 mm x4 | P  6 X 125 mm x2 | | | | | |

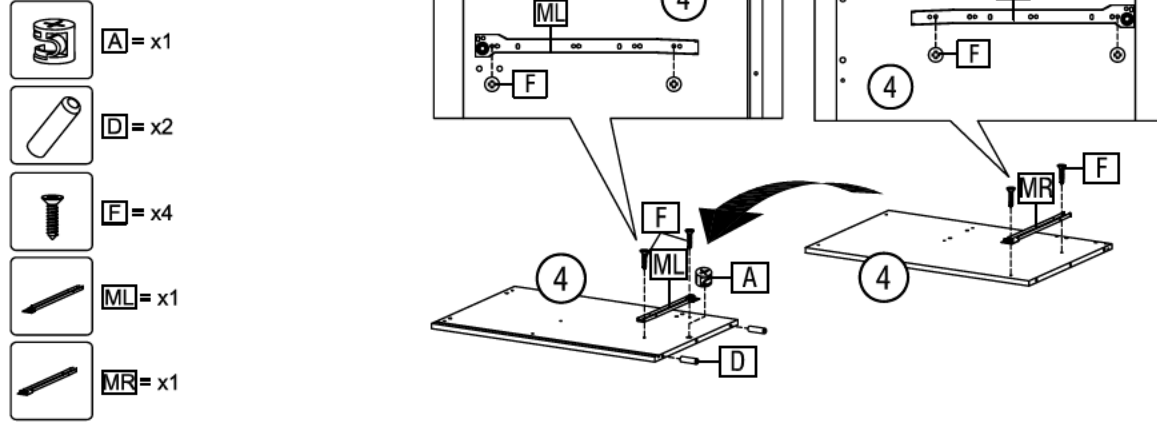
Step 1



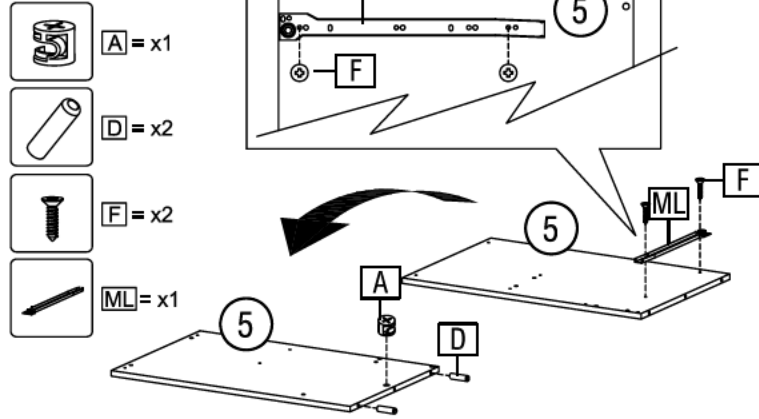
Step 2



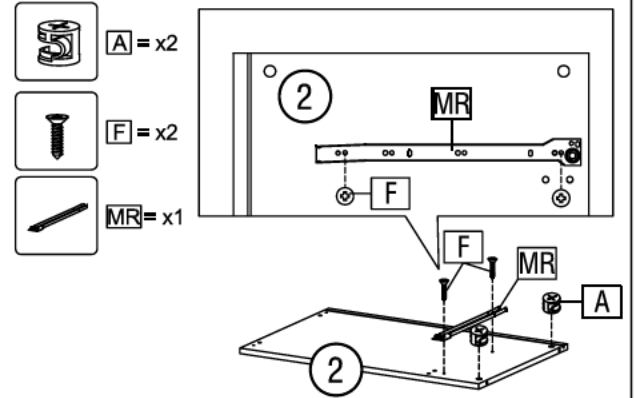
Step 3



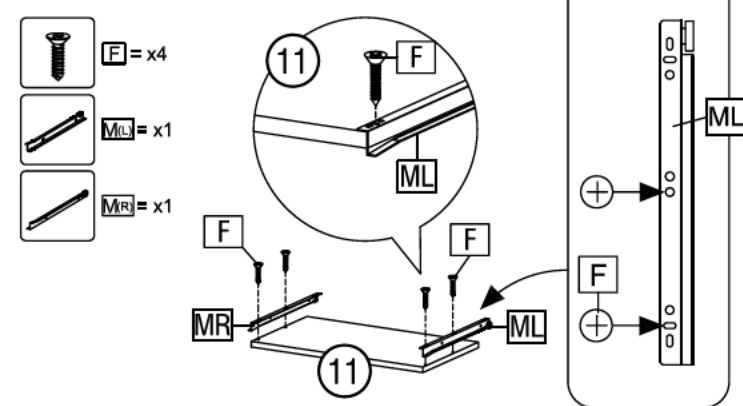
Step 4



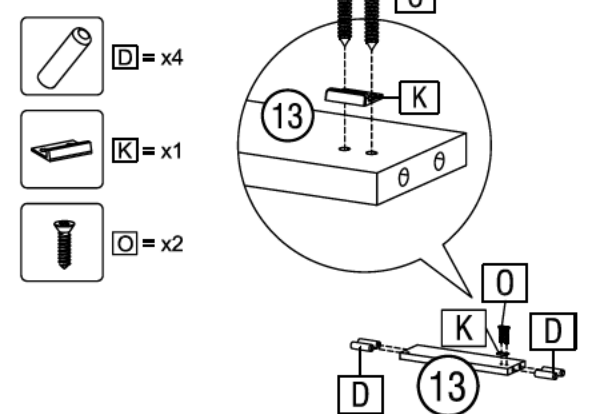
Step 5



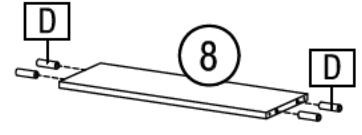
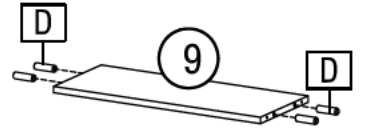
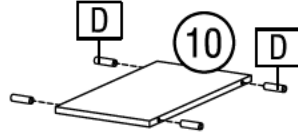
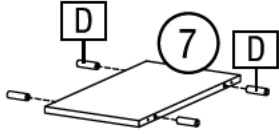
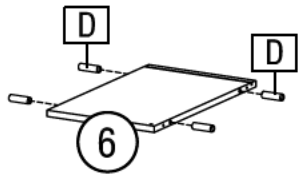
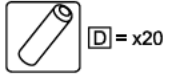
Step 6



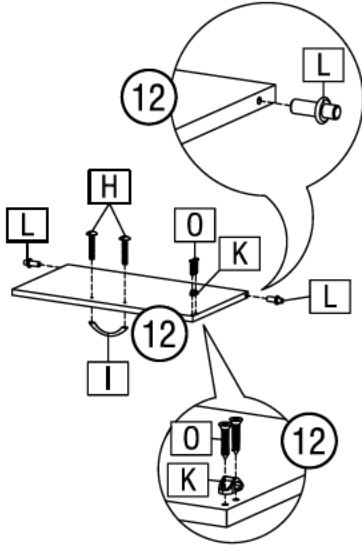
Step 7



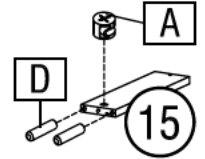
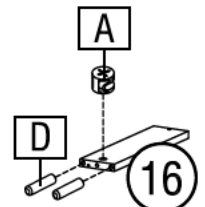
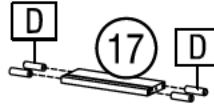
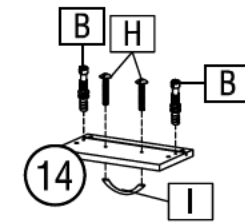
Step 8



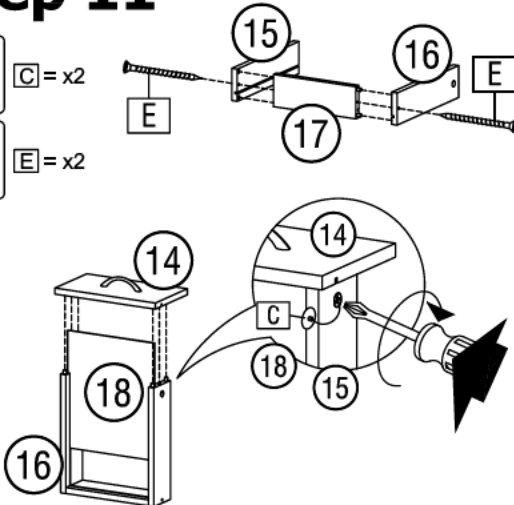
Step 9



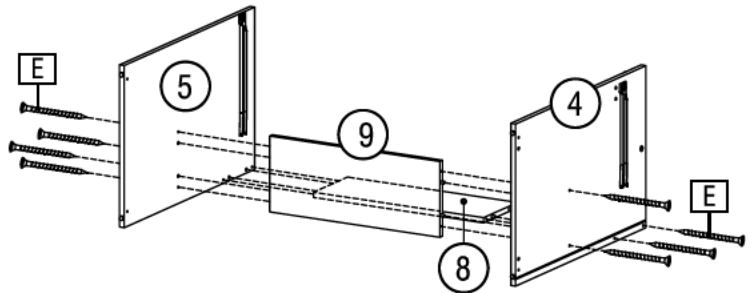
Step 10



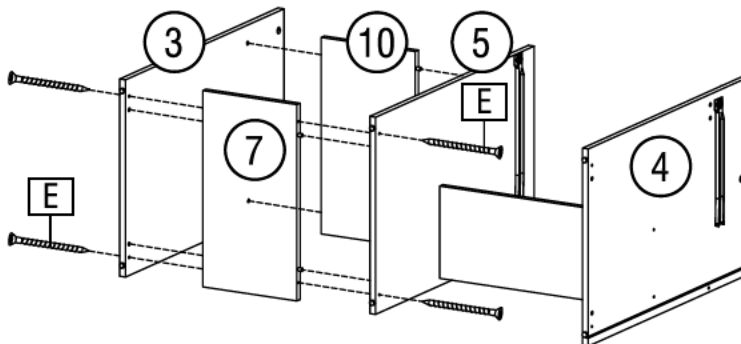
Step 11



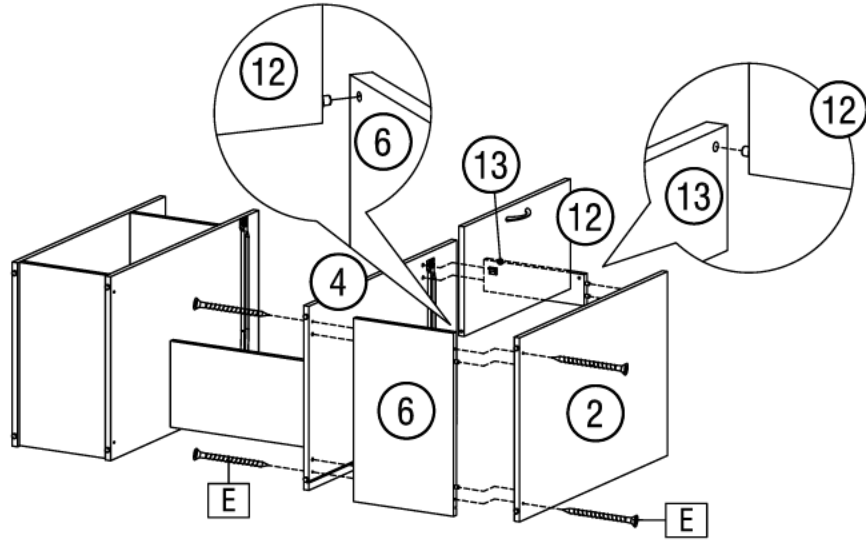
Step 12



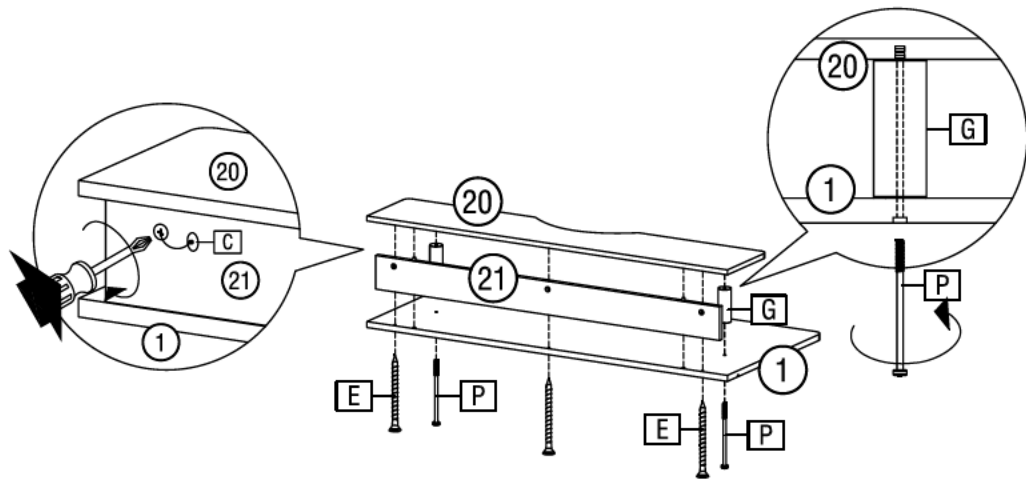
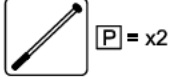
Step 13



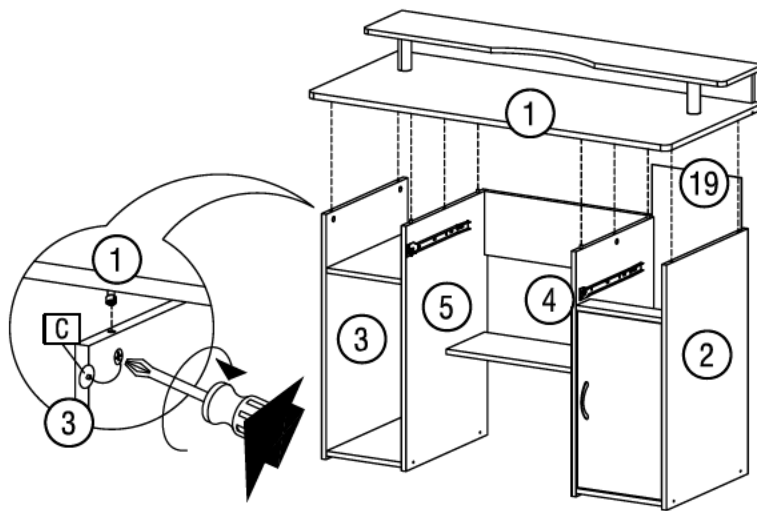
Step 14



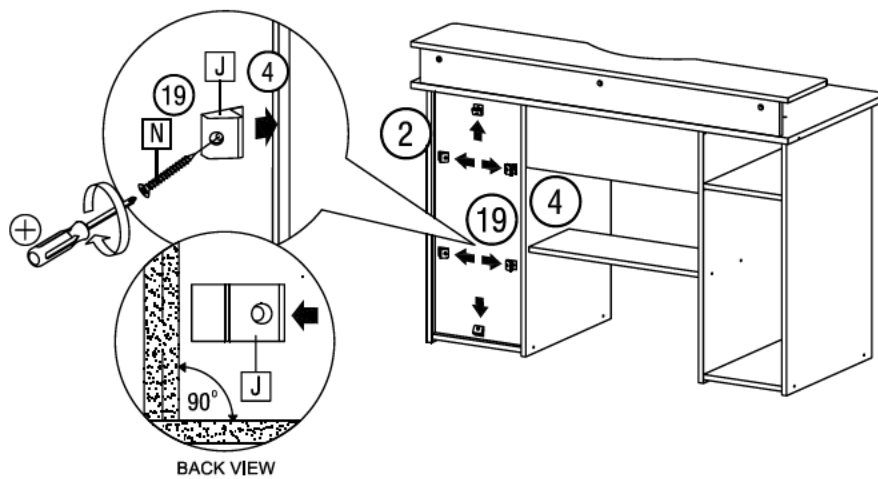
Step 15



Step 16



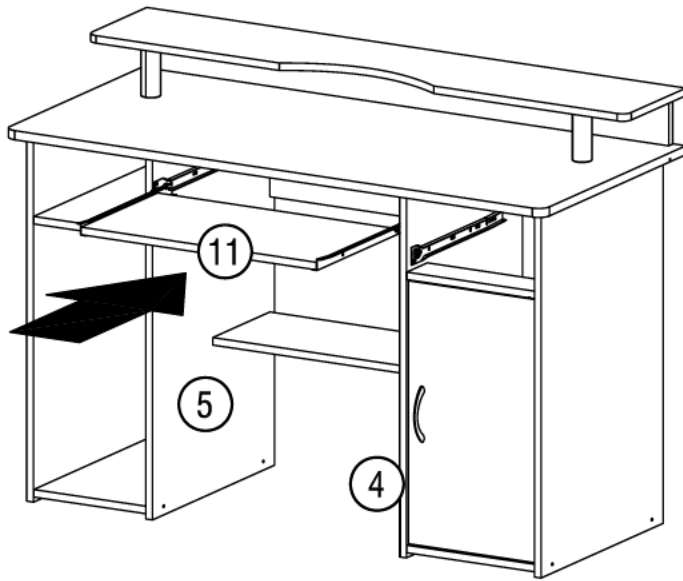
Step 17



Step 18



E = x4



Step 19



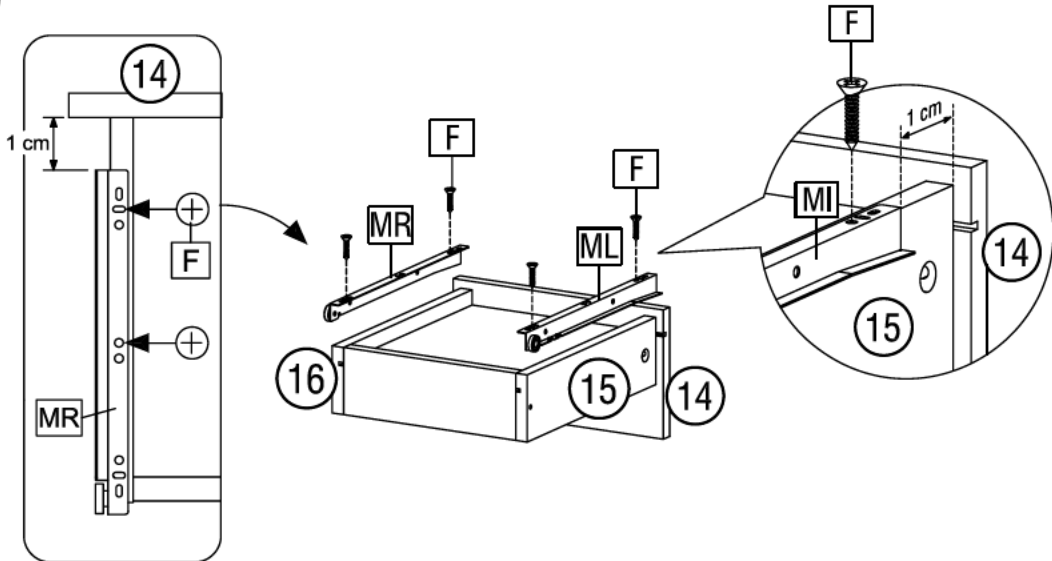
F = x4



MI = x1



MR = x1



Step 20

