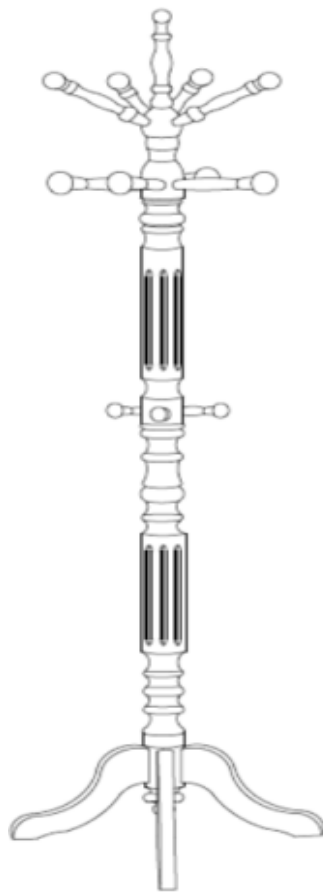


*ASSEMBLY INSTRUCTIONS
COASTER FINE FURNITURE*



Fine Furniture for every stage of life

ASSEMBLY INSTRUCTIONS

ASSEMBLY TIPS:

1. Remove hardware from box and sort by size.
2. Please check to see that all hardware and parts are present prior to start of assembly.
3. Please follow attached instructions in the same sequence as numbered to assure fast & easy assembly.



WARNING!








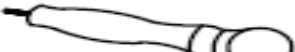

1. Don't attempt to repair or modify parts that are broken or defective. Please contact the store immediately.
2. This product is for home use only and not intended for commercial establishments.



ASSEMBLY TIME

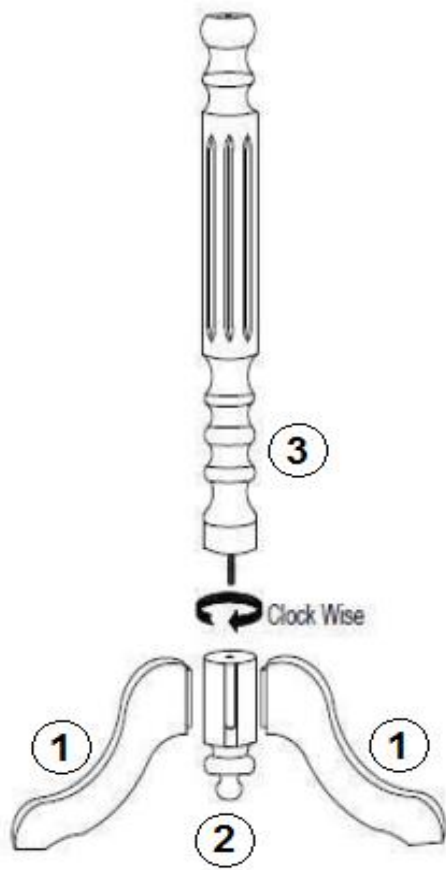
15 MINUTES

PARTS IDENTIFICATION

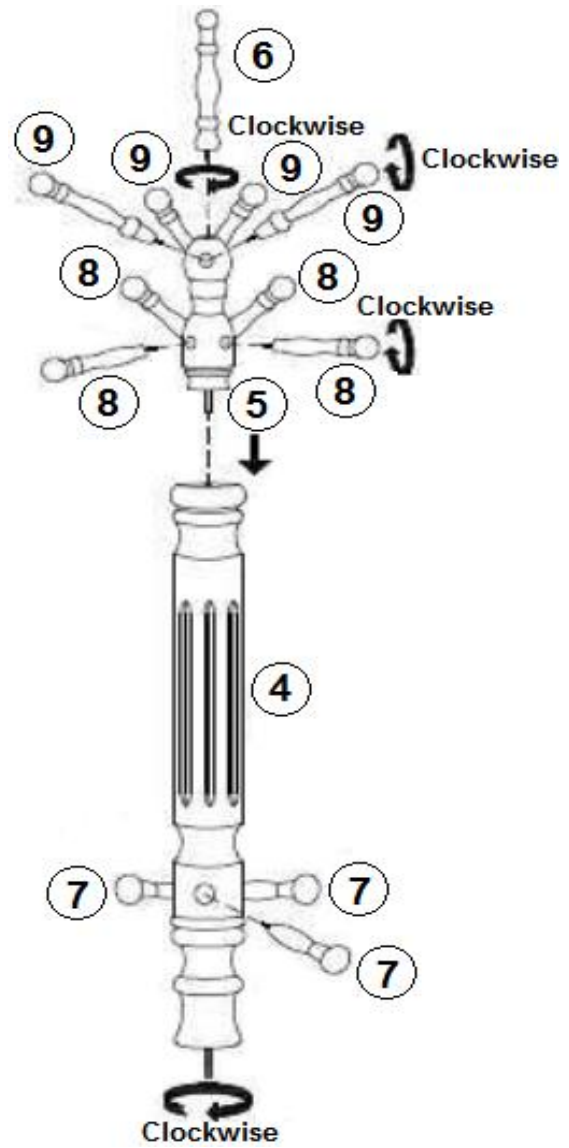
| | | | |
|---|------------------|--|------|
| 1 | LEG |  | 3PCS |
| 2 | MOUNTING BRACKET |  | 1PC |
| 3 | BOTTOM COLUMN |  | 1PC |
| 4 | MIDDLE COLUMN |  | 1PC |
| 5 | TOP COLUMN |  | 1PC |
| 6 | FINIAL |  | 1PC |
| 7 | SHORT SPINDLE |  | 3PCS |
| 8 | MEDIUM SPINDLE |  | 4PCS |
| 9 | LONG SPINDLE |  | 4PCS |

ASSEMBLY INSTRUCTIONS

STEP 1

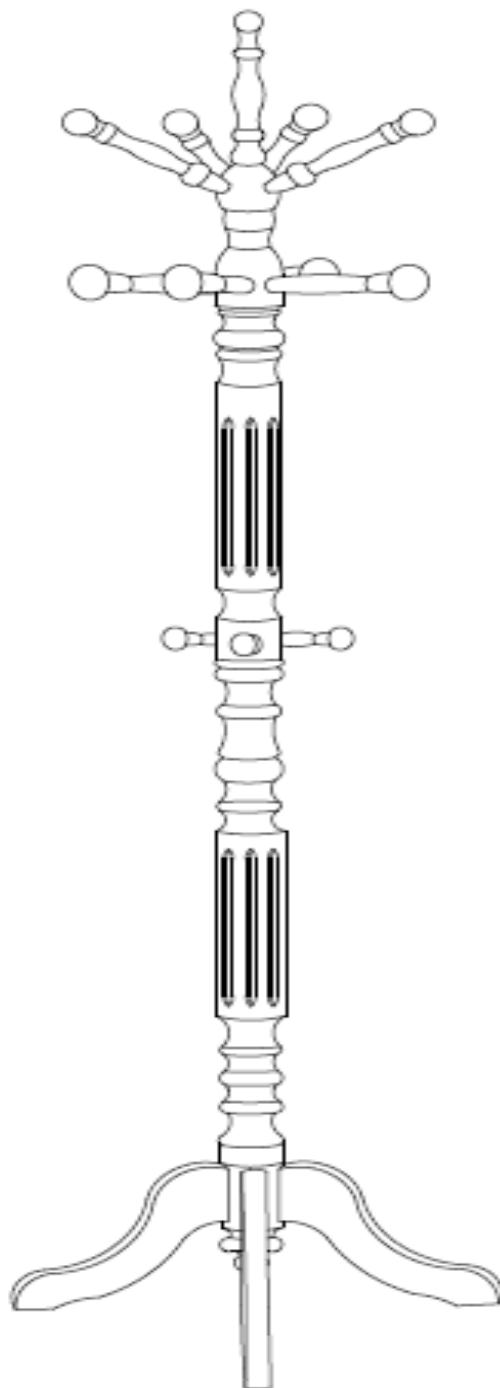


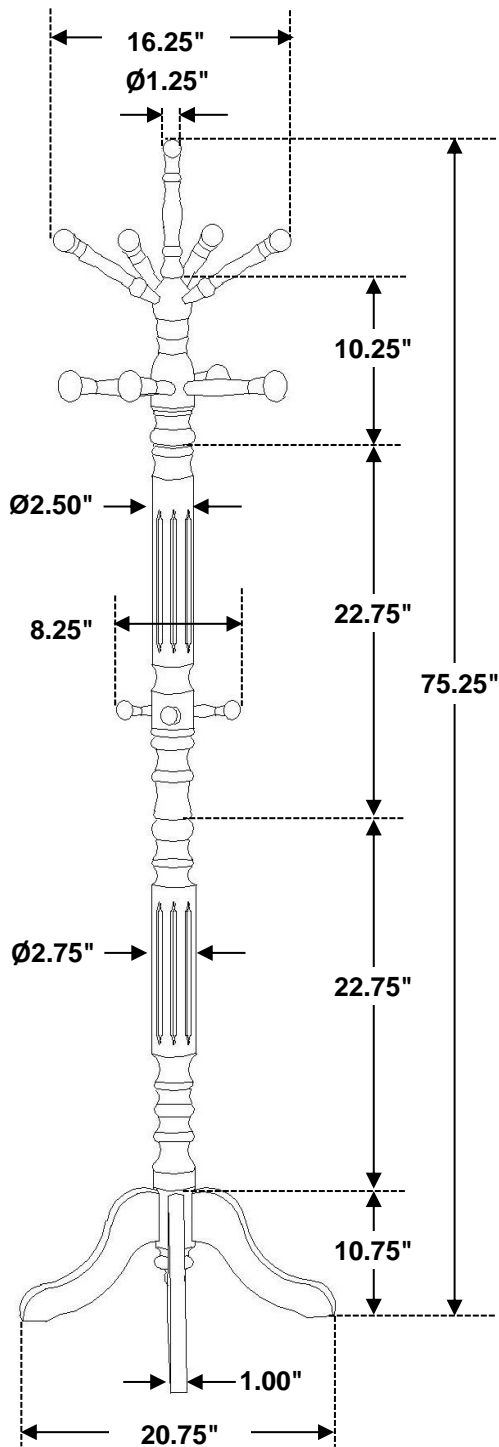
STEP 2



ASSEMBLY INSTRUCTIONS

STEP 3 COMPLETE





Note : Dimension tolerance $\pm 5\%$