
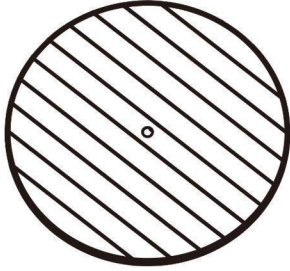


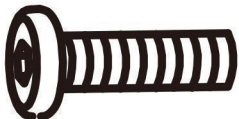




TABLE ASSEMBLY & USE INSTRUCTIONS



BOM PARTS

No.	Parts	PIC	 Qty
A	Tabletop		1
B	Leg Tube		4
C	Fixing Ring		1
D	Hex Socket Flat Head Screw		16(+2)
E	Washer		16(+2)
F	Hex Key (Allen Wrench)		1

WARNING!

For your safety and to ensure proper use, please follow the provided instructions carefully. Incorrect assembly or handling may cause damage to the product or result in injury.



ASSEMBLY INSTRUCTIONS



BEFORE YOU START

- Read the instructions thoroughly.
- Confirm parts and hardware.
- A mild odor may occur due to packaging - it will fade after a few days.

SAFETY TIPS



- ⚠️ Avoid over-tightening the screws.
- ⚠️ Avoid using power tools.



Estimated Time

15 minutes



Installers Required

2 people



Difficulty



Professional installation is highly recommended!

STEPS:

- Fix all the screws in place, without tightening them first.
- After confirming the position of all the screws, tighten the screws and nuts.

FIG 1

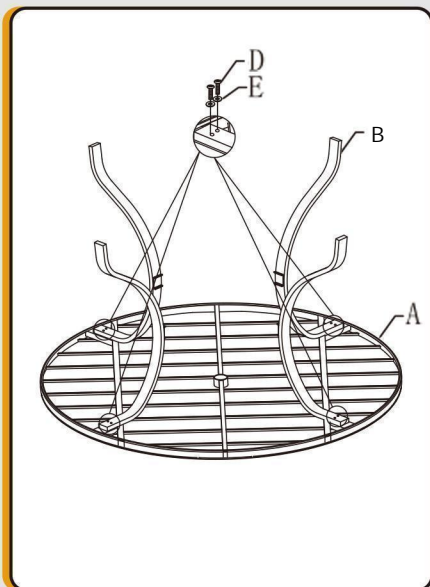


FIG 2

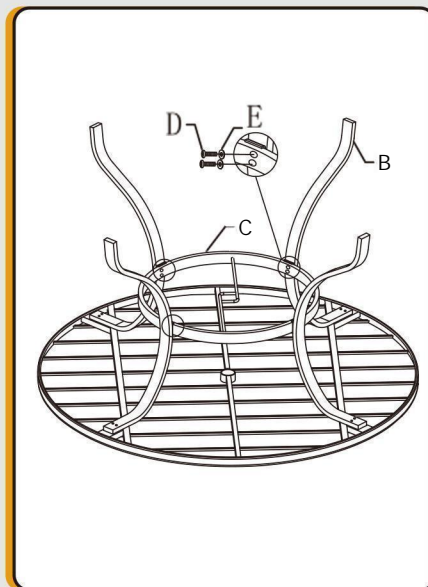


FIG 3

