

By Cascade Meadows

Assembly Instructions

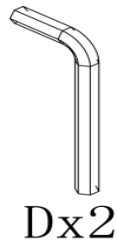
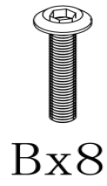


SHOULD YOU HAVE ANY QUESTIONS REGARDING THE ASSEMBLY OR PARTS OF YOUR NEW ECCOSTYLE ITEM, PLEASE DO NOT RETURN TO THE STORE, INSTEAD CALL [REDACTED] OR WRITE TO:

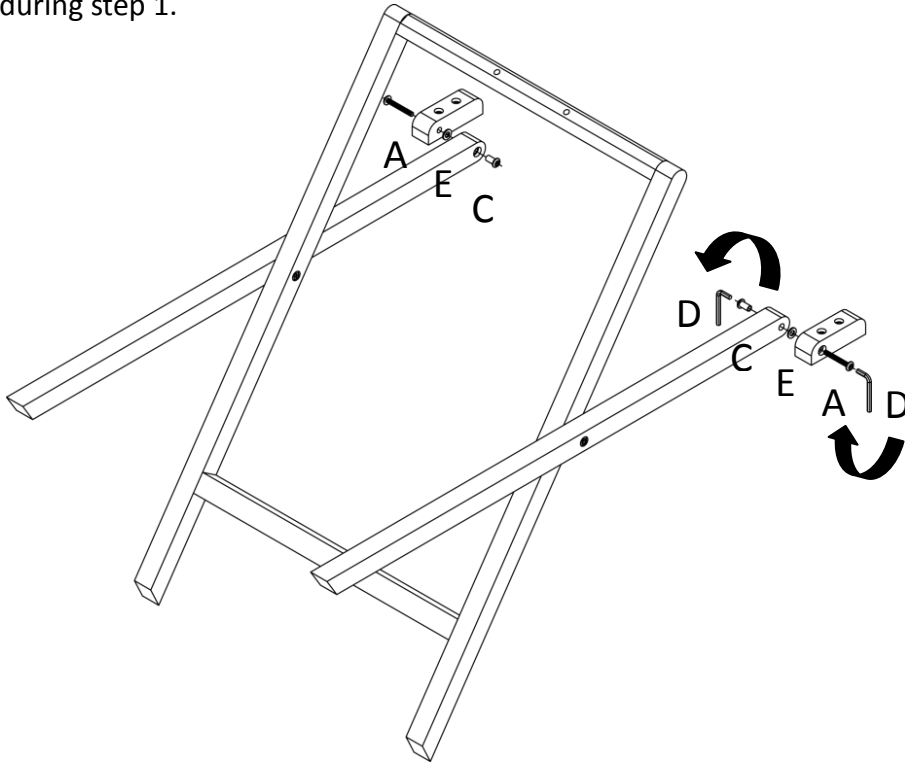
Why bamboo?

- Renewable resource – Bamboo has the Fastest Growing Cycle of any furniture raw material – 5 years sprout to harvest.
- Bamboo also has superior structural strength as well as the lowest moisture expansion/contraction displacement of any furniture raw material 50% lower than Oak or Pine
- Environmentally desirable UV activated finish – virtually 100% of the finish is utilized without spray or runoff waste and it dries instantly when exposed to UV Light without heat.

Assembly Instructions

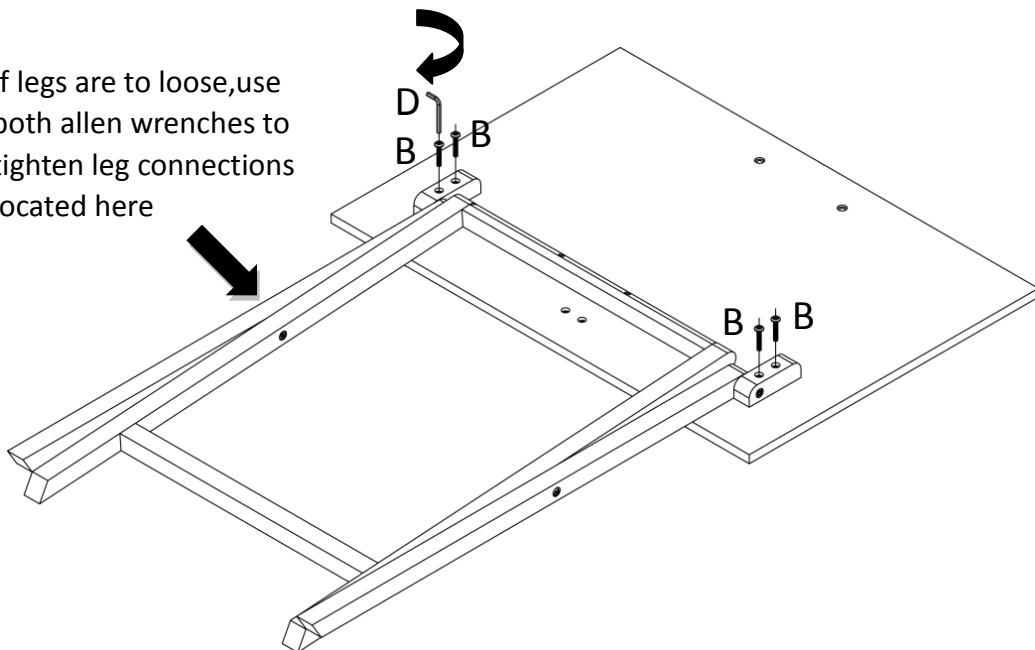


- 1** Please note an additional allen wrench has been provided to help tighten parts A and C during step 1.

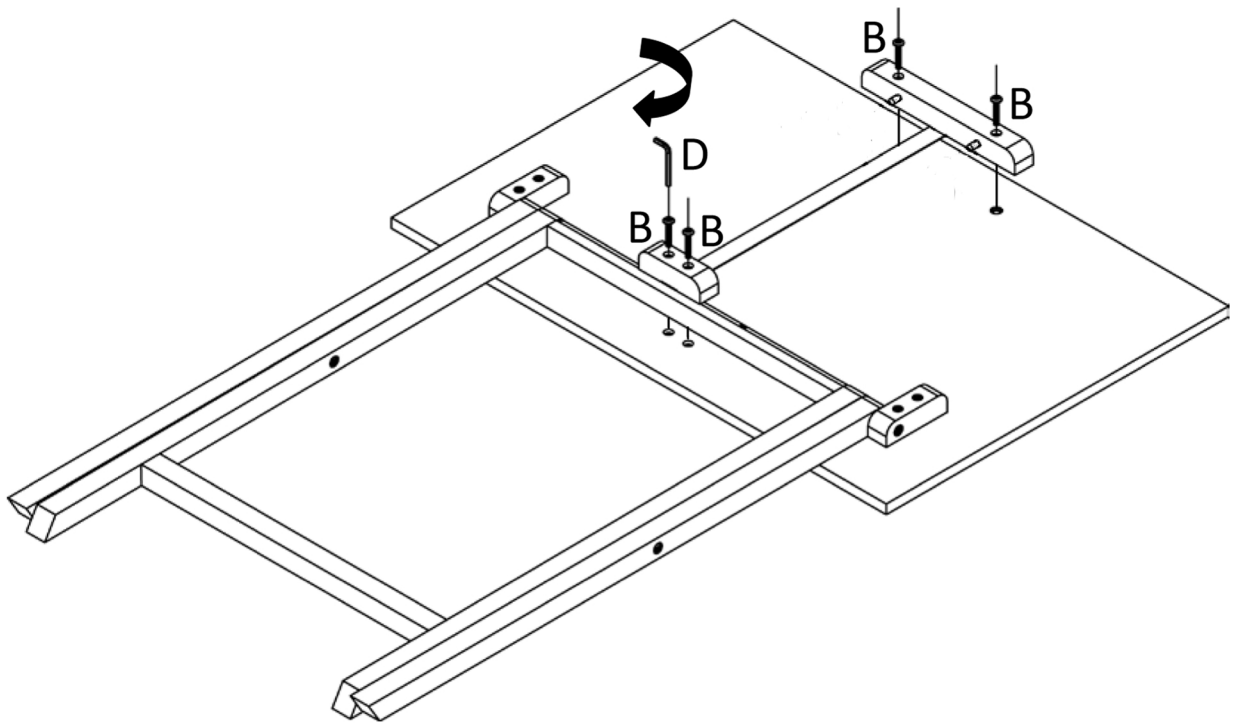


- 2**

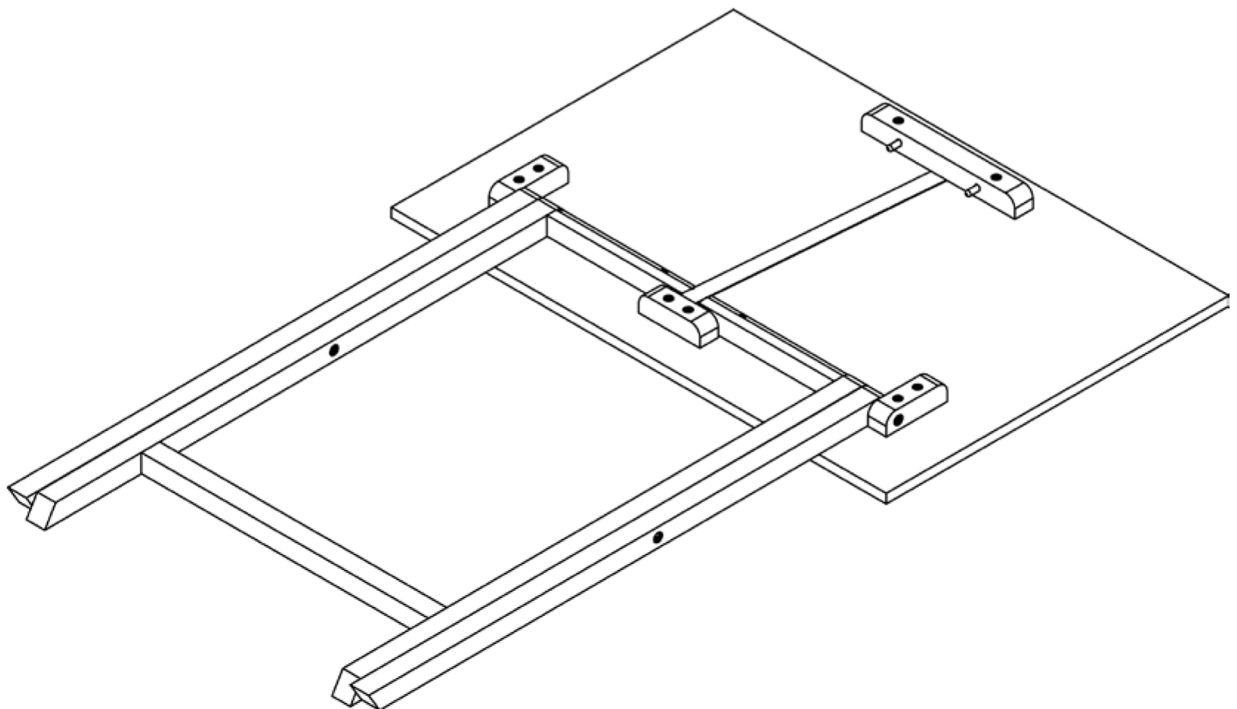
If legs are to loose, use both allen wrenches to tighten leg connections located here



3



4



Operating Instructions

