

ASSEMBLY INSTRUCTIONS

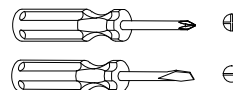
Edgerton Sideboard ITEM# 85550

ASSEMBLY
REQUIREMENTS

2 Hours
Assembly Time
(Approximate)

2-Person
Assembly

Tools Required:
(Not Provided)



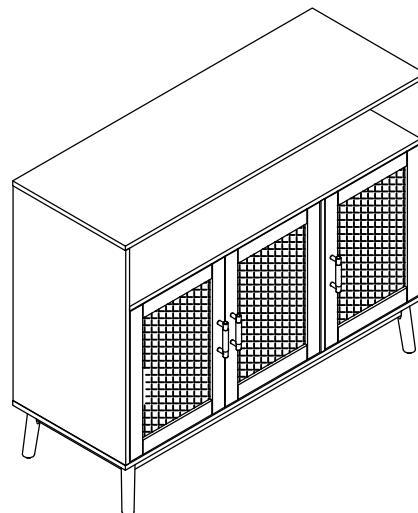
Thank you for purchasing our product!

Please refer and use this assembly instruction to assemble the product. Contact our customer service department in case there are any missing or damage parts or hardware. Replacement parts are normally shipped within 2 or 3 days.

Email: replacementparts@buylateral.com
Within 30 days from delivery date

PRODUCTS PURCHASED THROUGH OUR
AUTHORIZED VENDORS ONLY ARE ELIGIBLE
FOR REPLACEMENT PARTS.

We appreciate your business!



THIS PRODUCT IS FOR INDOOR AND HOUSEHOLD USE ONLY - NOT FOR COMMERCIAL USE.

ASSEMBLY PREPARATION

1. Remove all packaging materials, staples and packing straps from the carton.
2. Refer to Parts List and Hardware List, and ensure parts and hardware are correct before assembly.
Contact customer service for missing parts.
3. Place all wooden parts on a clean, flat and soft surface (e.g. carpet or rug) to prevent scratch and damage to parts.

SAFETY PRECAUTION

1. KEEP ALL HARDWARE PARTS OUT OF REACH OF CHILDREN.
2. DISPOSE PLASTIC PACKAGING MATERIAL IMMEDIATELY TO AVOID ANY RISK OF SUFFOCATION TO CHILDREN AND ANIMALS.

TIPS FOR ASSEMBLY

1. Allow ample room for assembly and assemble the product near where the product will be placed.
2. Assemble the product on a surface that does not scratch or damage the exterior gloss and finish of the furniture.
3. Identify all of the parts, hardware and quantities required for each step.
4. During assembly, do not over-tighten any fittings as this may cause damage.
5. DO NOT USE POWER TOOLS TO ASSEMBLE THIS PRODUCT.
6. Always place the product on a flat, level surface.
7. Do not sit or stand on the partially assembled product; only use the product for which it is intended.

CARE AND MAINTENANCE

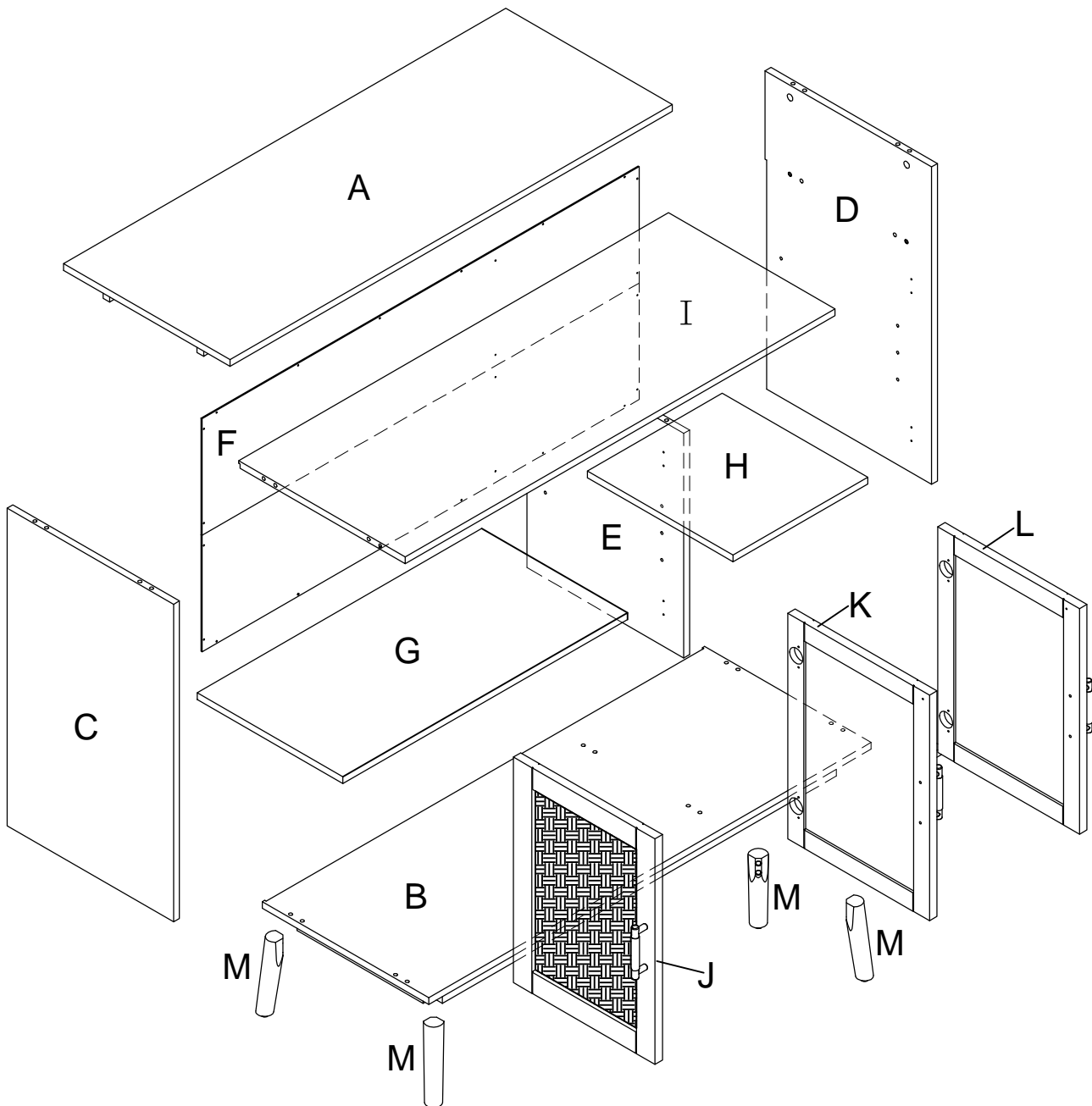
- Use a slightly damp cloth to clean the product.
- Do not use bleach or abrasive cleaning material.
- Check all the fittings periodically and re-tighten as necessary.
- Do not use the product if any of the parts is damaged or broken.
- Never allow any kind of liquid to remain on your furniture. Absorption can cause wood to warp or delaminate.
- Do not place hot items (e.g. hot drinks) directly onto the wood surface.
- Do not drag and/or pull the furniture.

ASSEMBLY INSTRUCTIONS
Edgerton Sideboard ITEM# 85550

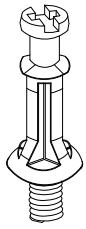
PARTS LIST

NO. PART NAME	QTY	NO. PART NAME	QTY
(A) Top Panel	1	(H) Right Adjustable Shelf	1
(B) Bottom Panel	1	(I) Fixed Shelf Panel	1
(C) Left Panel	1	(J) Left Door	1
(D) Right Panel	1	(K) Middle Door	1
(E) Partition Panel	1	(L) Right Door	1
(F) Back Panel	1	(M) Leg	4
(G) Left Adjustable Shelf	1		

ASSEMBLY OVERVIEW



INSTRUCTIONS FOR CAM-BOLT & CAM-LOCK

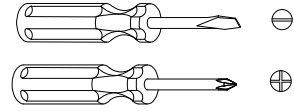


CAM-BOLT

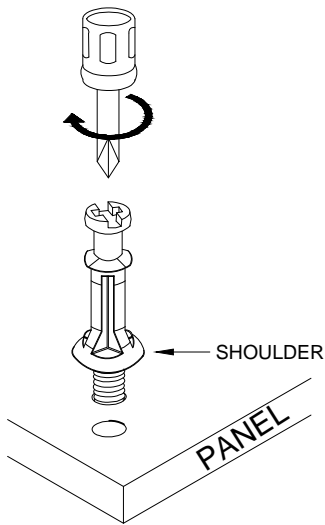


CAM-LOCK

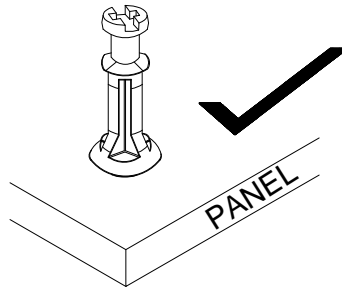
Tools Required



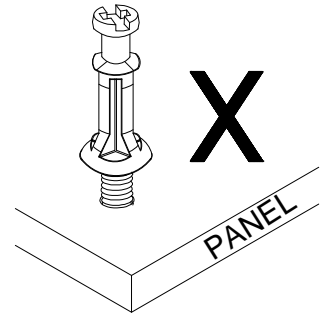
INSERTING AND TIGHTENING CAM-BOLT



Place Cam-bolt on pre-drilled hole and screw in vertically



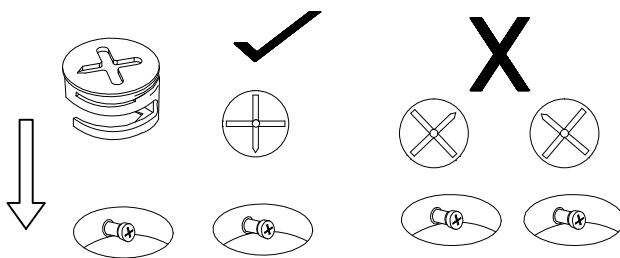
Shoulder is flushed (on the same level) with the panel.



Shoulder is above the panel.

Place Cam-bolt on the designated pre-drilled holes on the panel. Use a Phillips Screwdriver to screw-in Cam-bolt vertically until shoulder is flushed (on the same level) with panel.

INSERTING CAM-LOCK



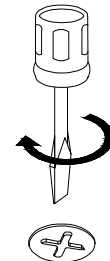
Insert Cam-lock with arrow align to Cam-bolt head

CORRECT

WRONG

Align the arrow on the Cam-lock to the Cam-bolt head and insert the Cam-lock. Ensure Cam-lock is fully inserted.

TIGHTENING CAM-LOCK

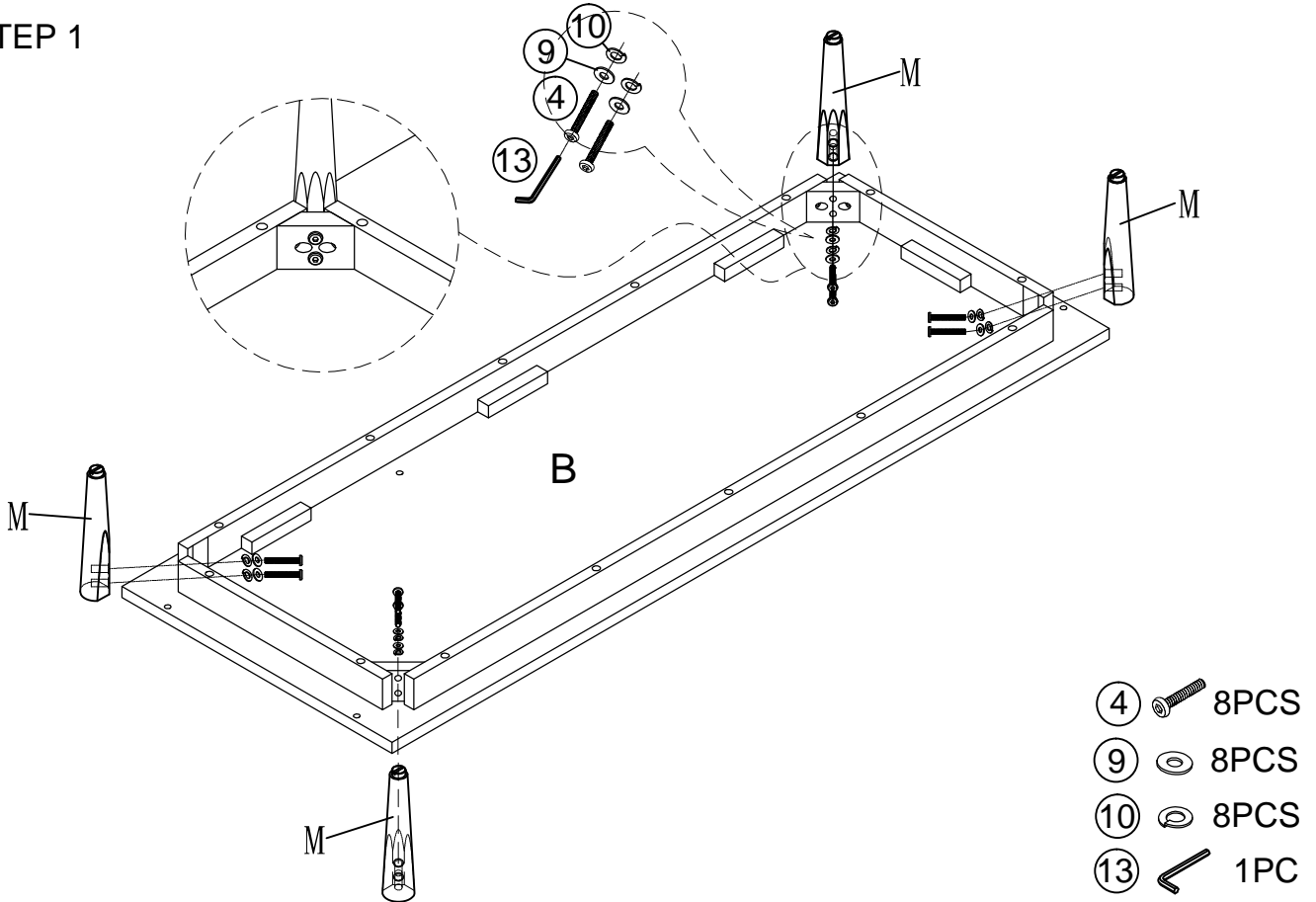


Use a Flat-head Screwdriver to turn Cam-lock clockwise so it locks onto the head of the Cam-bolt. Turn until it is snug (about 3/4ths of a turn) -- over-tightening could damage Cam-lock or/and Cam-bolt.

ASSEMBLY INSTRUCTIONS

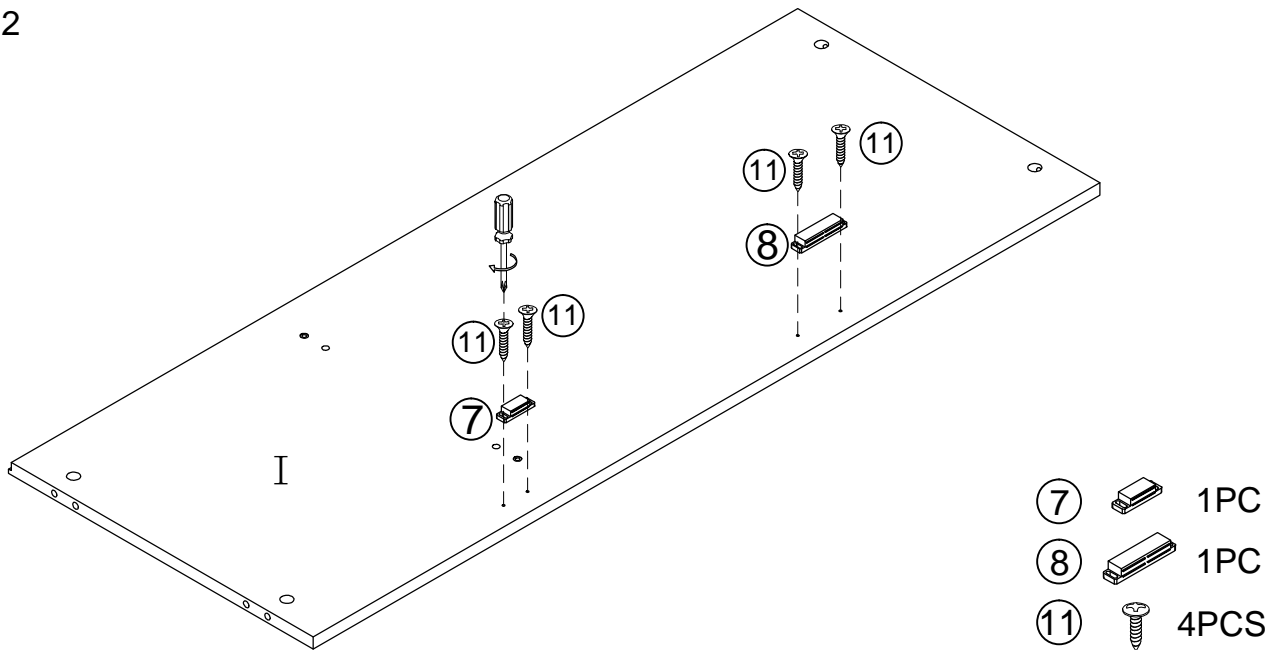
Edgerton Sideboard ITEM# 85550

STEP 1



- A. Lay Bottom Panel (B) flat on a material that does not scratch or damage the part.
- B. Position Leg (M) with bolt holes align to the holes on the corner block of (B)
- C. Next, insert Bolt (4) fitted with Spring Washer (7) and Flat Washer (9) into the bolt holes and use Allen Key (13) to tighten (4). Do not tighten bolt completely until both bolts are in place on each leg.

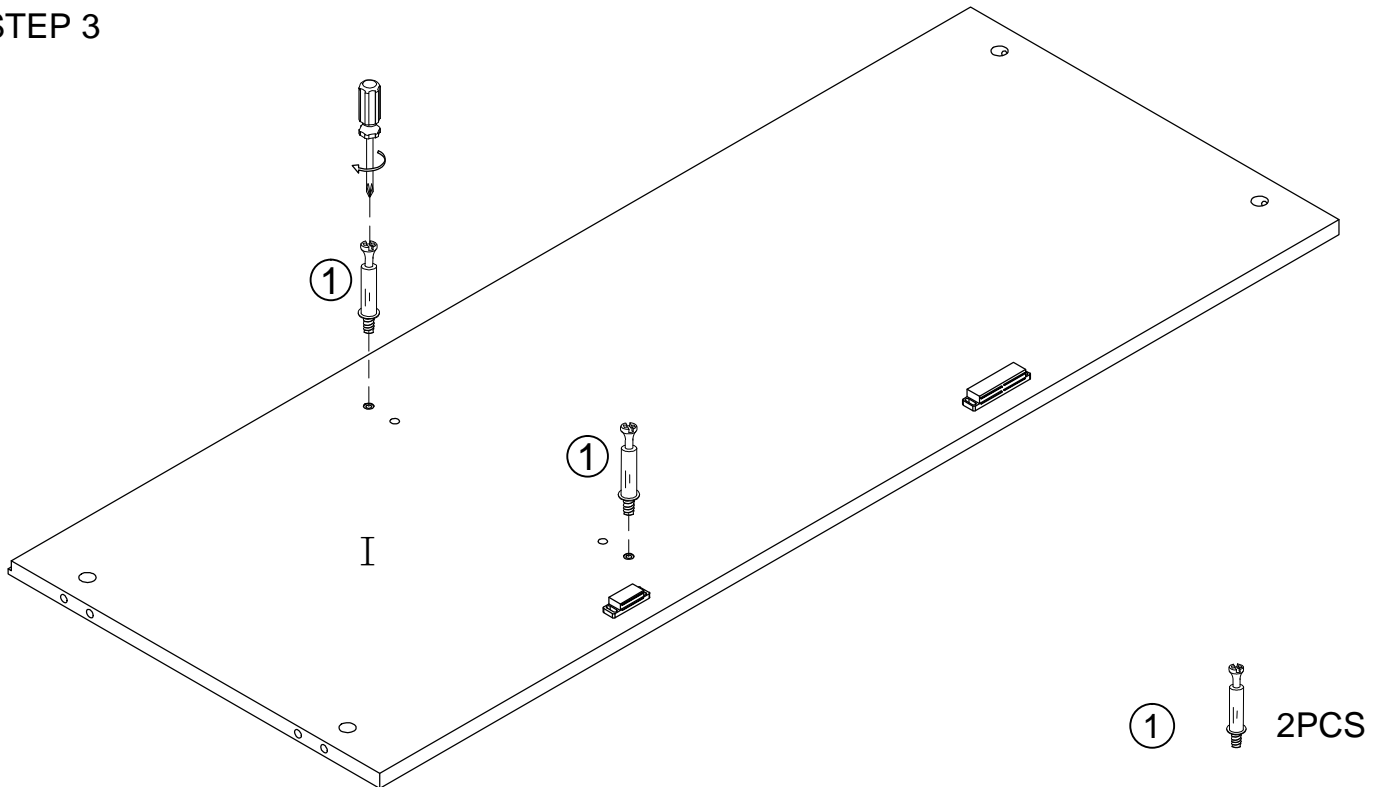
STEP 2



- A. Lay Fixed Shelf Panel (I) as shown flat on a material that does not scratch or damage the part.
- B. Use Screw (11) to fasten Door Magnet (7 & 8) to the designated pilot holes as shown.

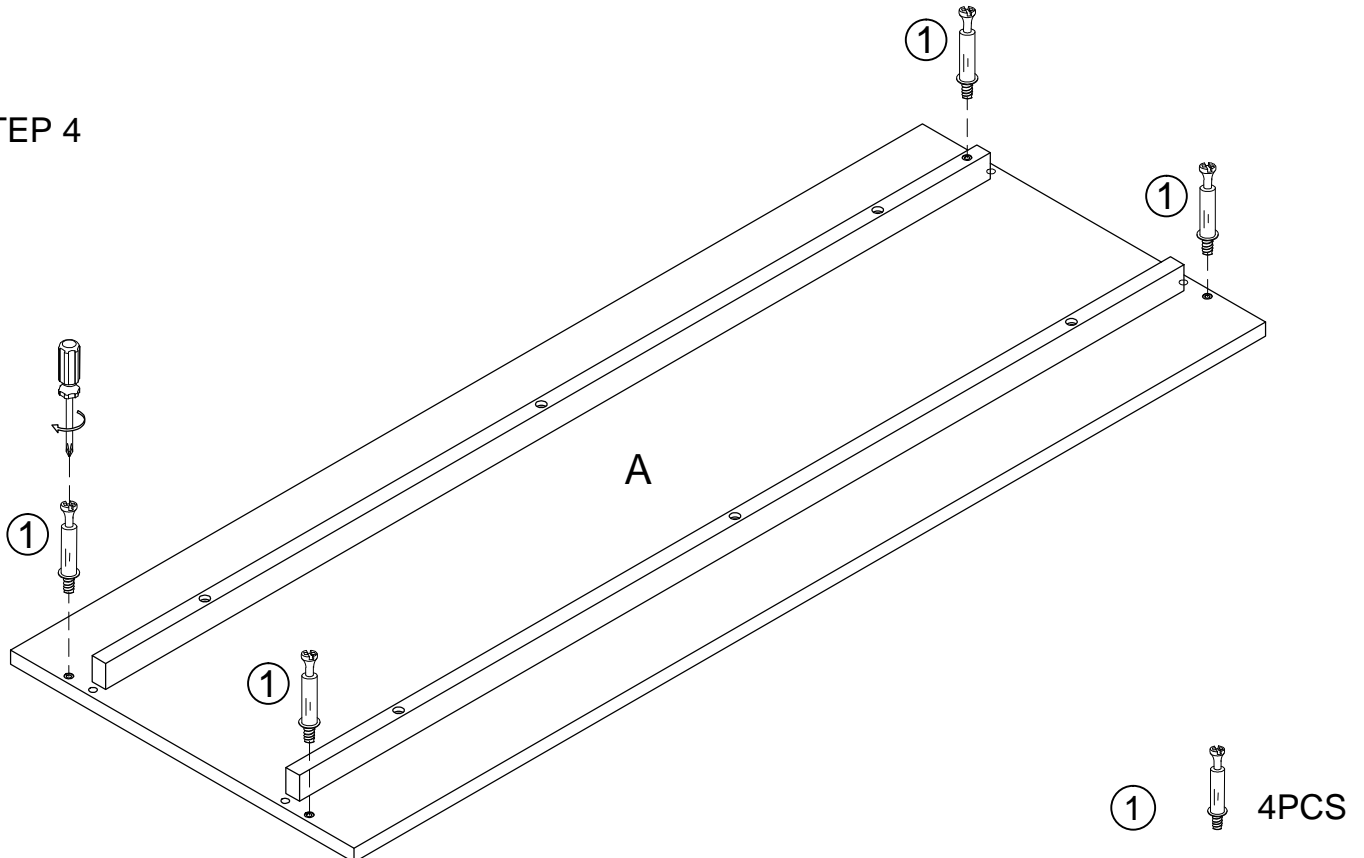
ASSEMBLY INSTRUCTIONS
Edgerton Sideboard ITEM# 85550

STEP 3



A. Screw Cam-bolt (1) onto the designated holes (outer holes) on Fixed Shelf (I) from STEP 2 as shown. Refer to Page 4 for instructions to screw in and tighten Cam-bolt.

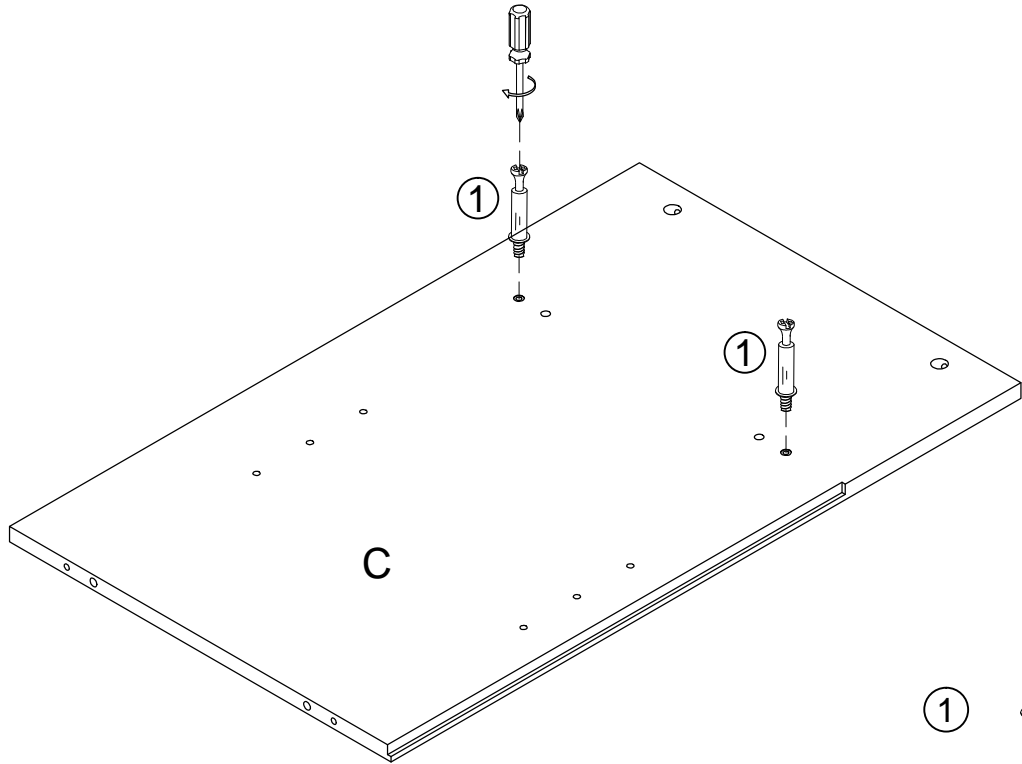
STEP 4



A. Lay Top Panel (A) bottom-side up flat on a material that does not scratch or damage the part.
B. Screw Cam-bolt (1) onto the designated holes (outer holes) as shown. Refer to Page 4 for instructions to screw in and tighten Cam-bolt.

ASSEMBLY INSTRUCTIONS
Edgerton Sideboard ITEM# 85550

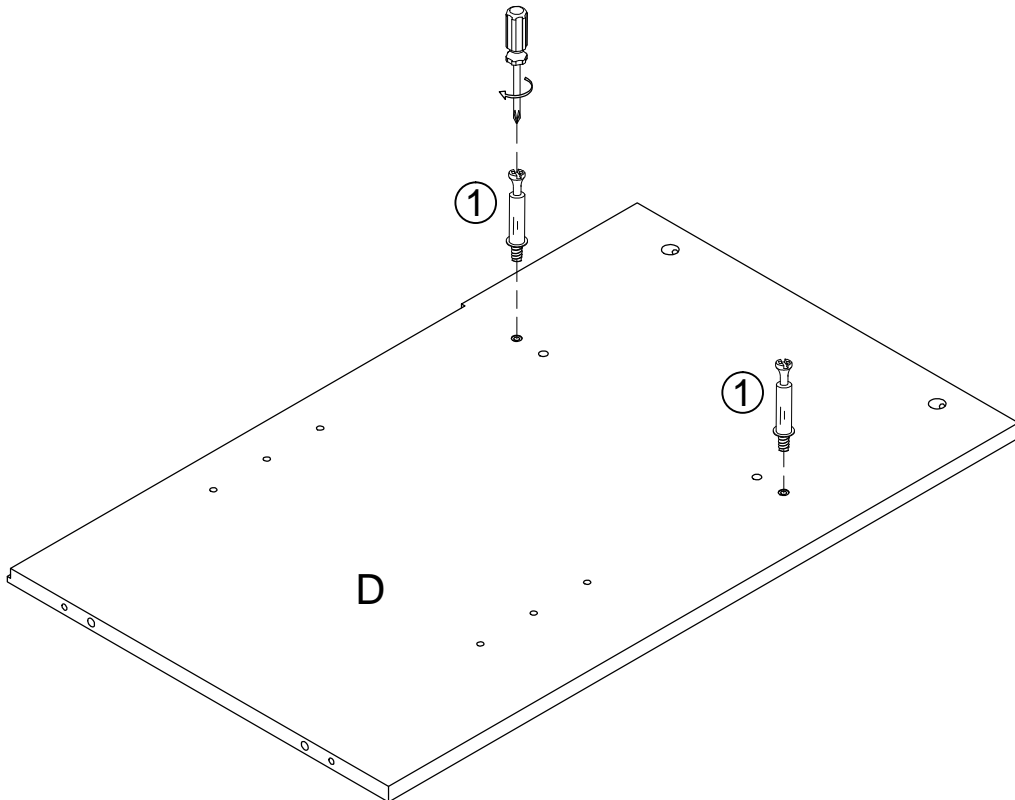
STEP 5




①  2PCS

- A. Lay Left Panel (C) as shown on a material that does not scratch or damage the part.
- B. Screw Cam-bolt (1) onto the designated holes (outer holes) as shown.

STEP 6



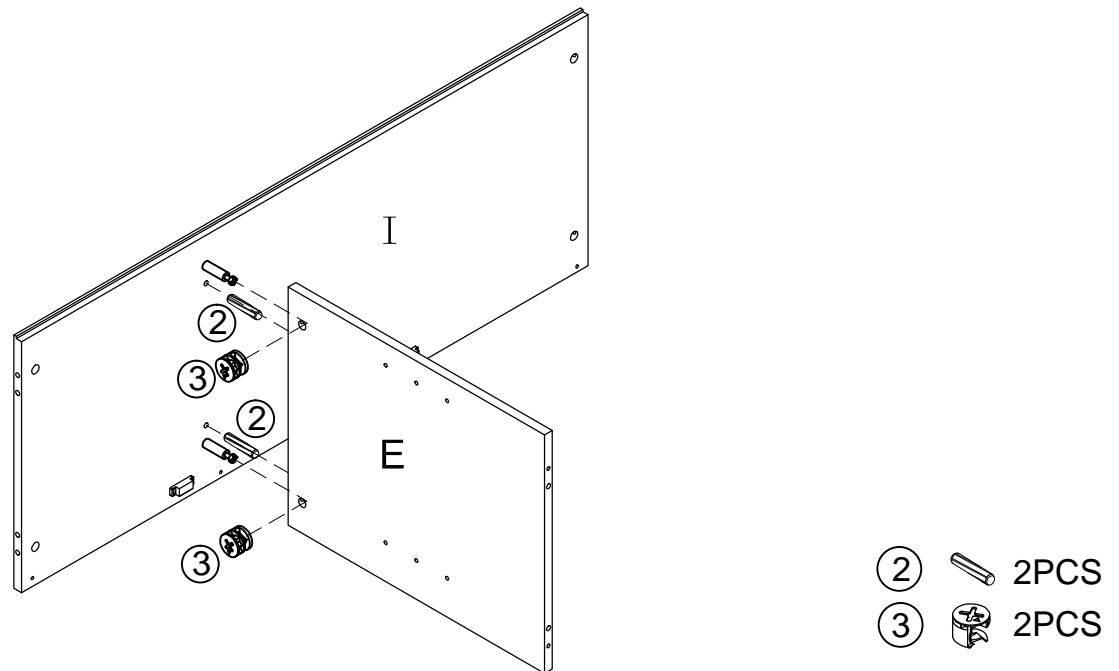
①  2PCS

- A. Lay Right Panel (D) as shown on a material that does not scratch or damage the part.
- B. Screw Cam-bolt (1) onto the designated holes (outer holes) as shown.

ASSEMBLY INSTRUCTIONS

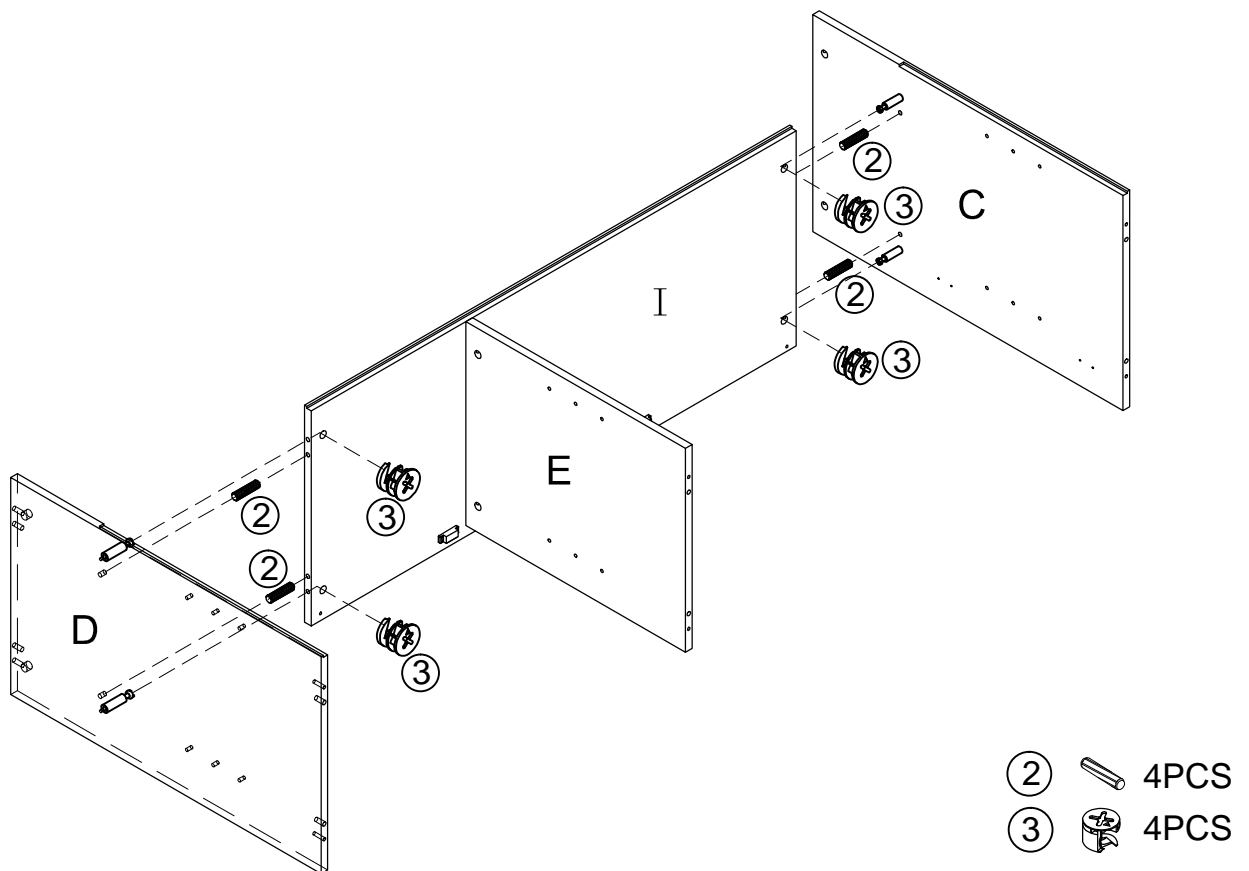
Edgerton Sideboard ITEM# 85550

STEP 7



- A. Insert Wood Dowel (2) into the inner 2 holes beside the cam-bolt on Fixed Shelf Panel (I) from STEP 3 as shown.
- B. Attach Partition Panel (E) to (I) via wood dowel and cam-bolt on (I).
- C. Insert Cam-lock (3) into designated holes on (E). Use Flat Screwdriver to turn (3) clockwise to lock onto cambolts. Refer to Page 4 for instructions on inserting and tightening cam-lock.

STEP 8

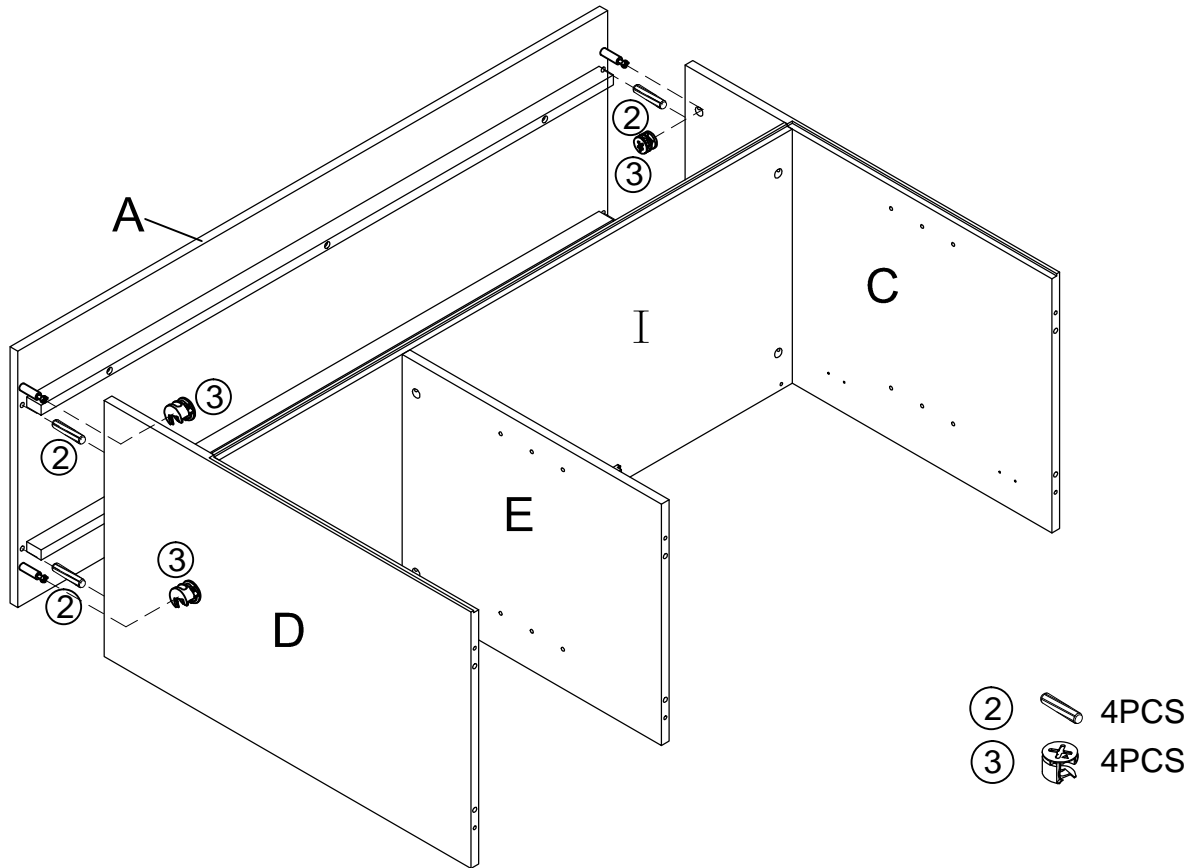


- A. Insert Wood Dowel (2) into the inner 2 holes on each side edge of Fixed Shelf Panel (I).
- B. Attach Left & Right Panel (C & D) to (I) via wood dowel and cam-bolt on the respective parts.
- C. Insert Cam-lock (3) into designated holes on (I). Use Flat Screwdriver to turn (3) clockwise to lock onto cam-bolts.

ASSEMBLY INSTRUCTIONS

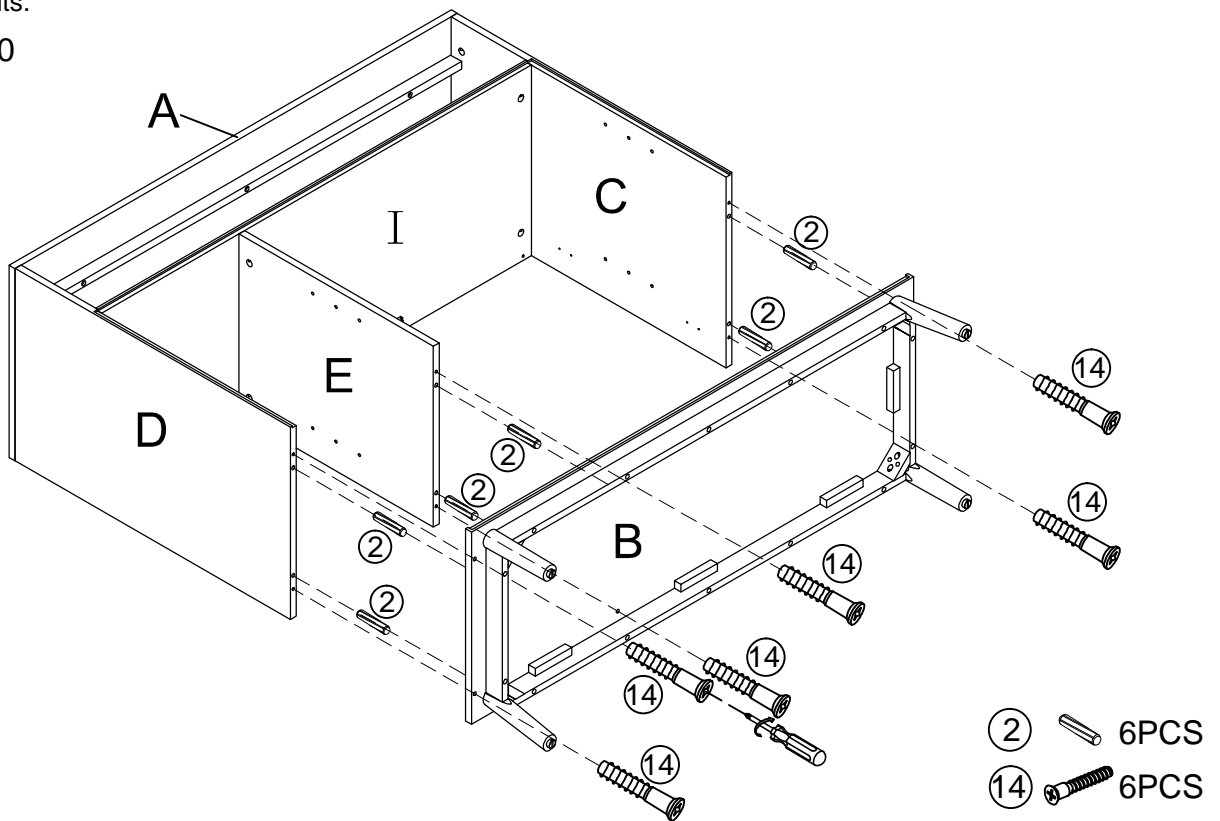
Edgerton Sideboard ITEM# 85550

STEP 9



- A. Insert Wood Dowel (2) into the inner 2 holes beside the cam-bolt on Top Panel (A) and attach to Side Panel (C & D) via wood dowel and cam-bolt on (A).
- B. Insert Cam-lock (3) into designated holes on (C & D). Use Flat Screwdriver to turn (3) clockwise to lock onto cam-bolts.

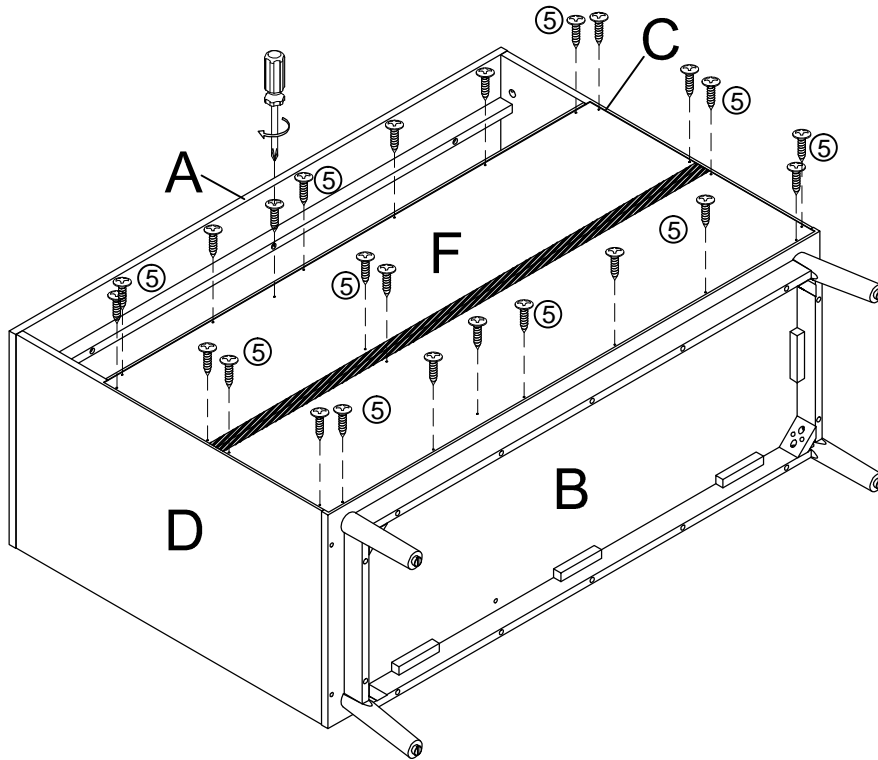
STEP 10



- A. Insert Wood Dowel (2) into the inner 2 holes on the bottom edge of Side Panel (C) and Middle Panel (D).
- B. With assistance, attach Bottom Panel (2) to (C & D) via wood dowel.
- C. Use Screw (10) to fasten (2) to (C & D). Do not tighten each screw completely until all of the screws are in place.

ASSEMBLY INSTRUCTIONS
Edgerton Sideboard ITEM# 85550

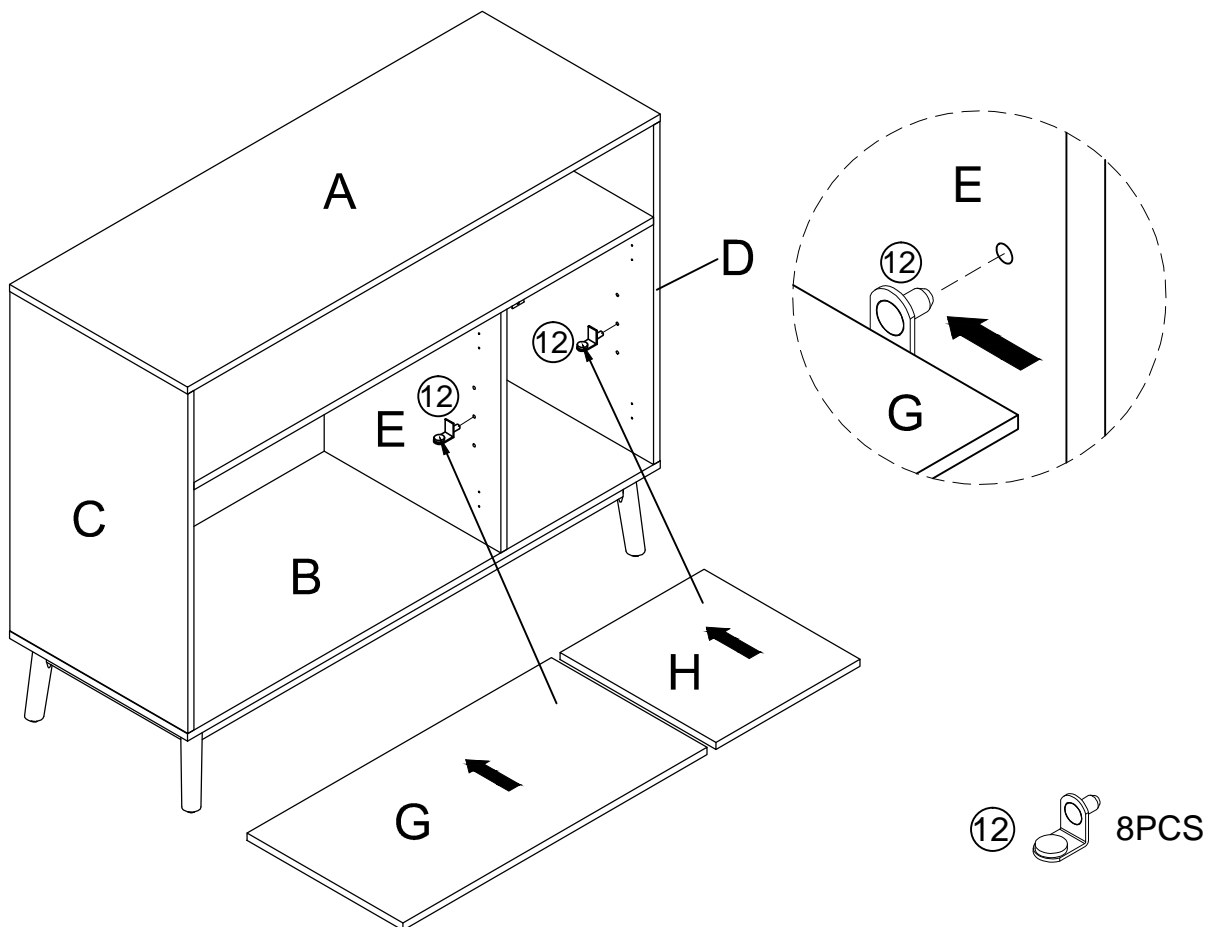
STEP 11



⑪  24PCS

A. With assistance, fit Back Panel (F) squarely to the back edge of Side, Top and Bottom Panel (A, C & D) and fasten with Screw (11) as indicated. Use a Phillips screwdriver to drive and tighten (11).

STEP 12



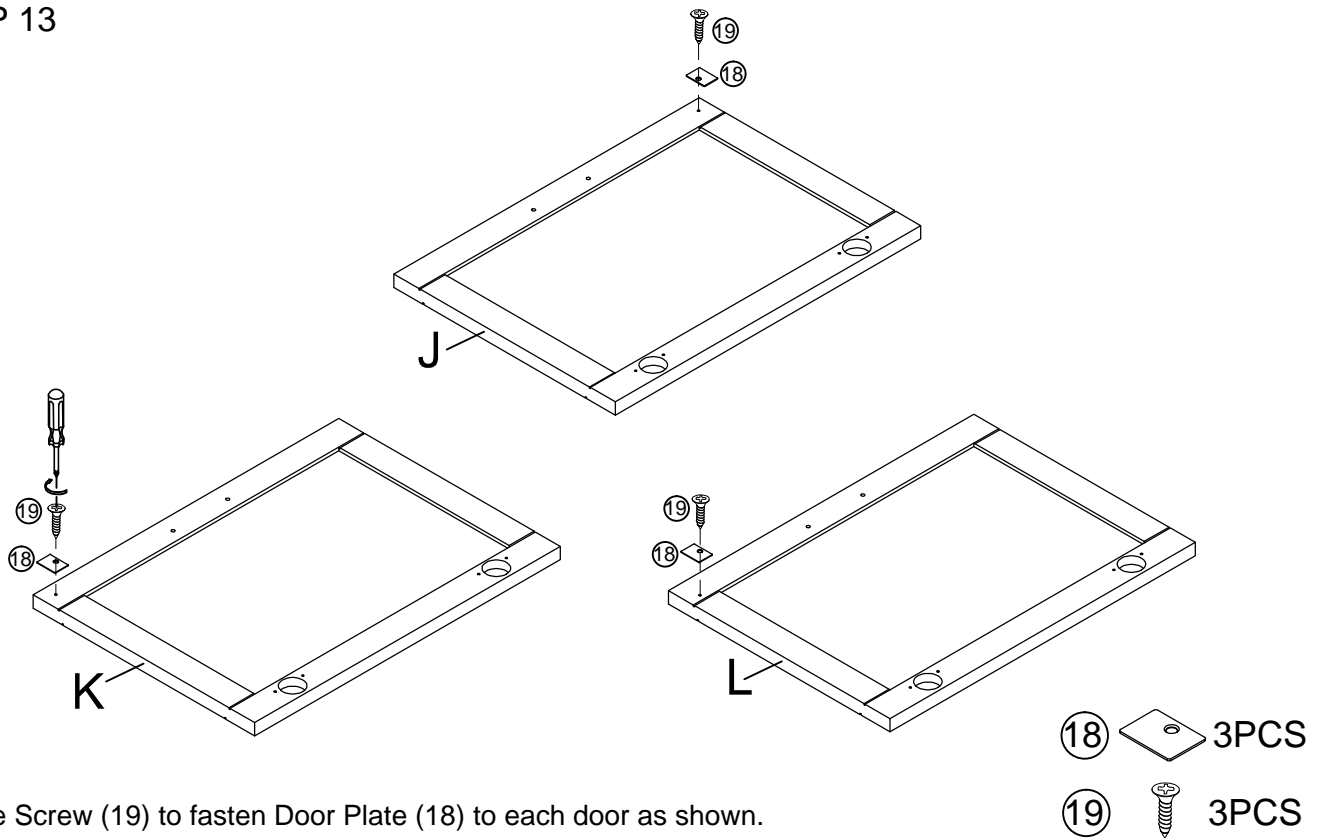
⑫  8PCS

A. Insert Shelf Holder (12) into the designated holes on the same level at the desired height on Side Panel (C) Partition Panel (E) and Middle Panel (D).
 B. Place Adjustable Shelf (G & H) by tilting it to fit between the side and partition panels and then level it to sit on (12).

ASSEMBLY INSTRUCTIONS

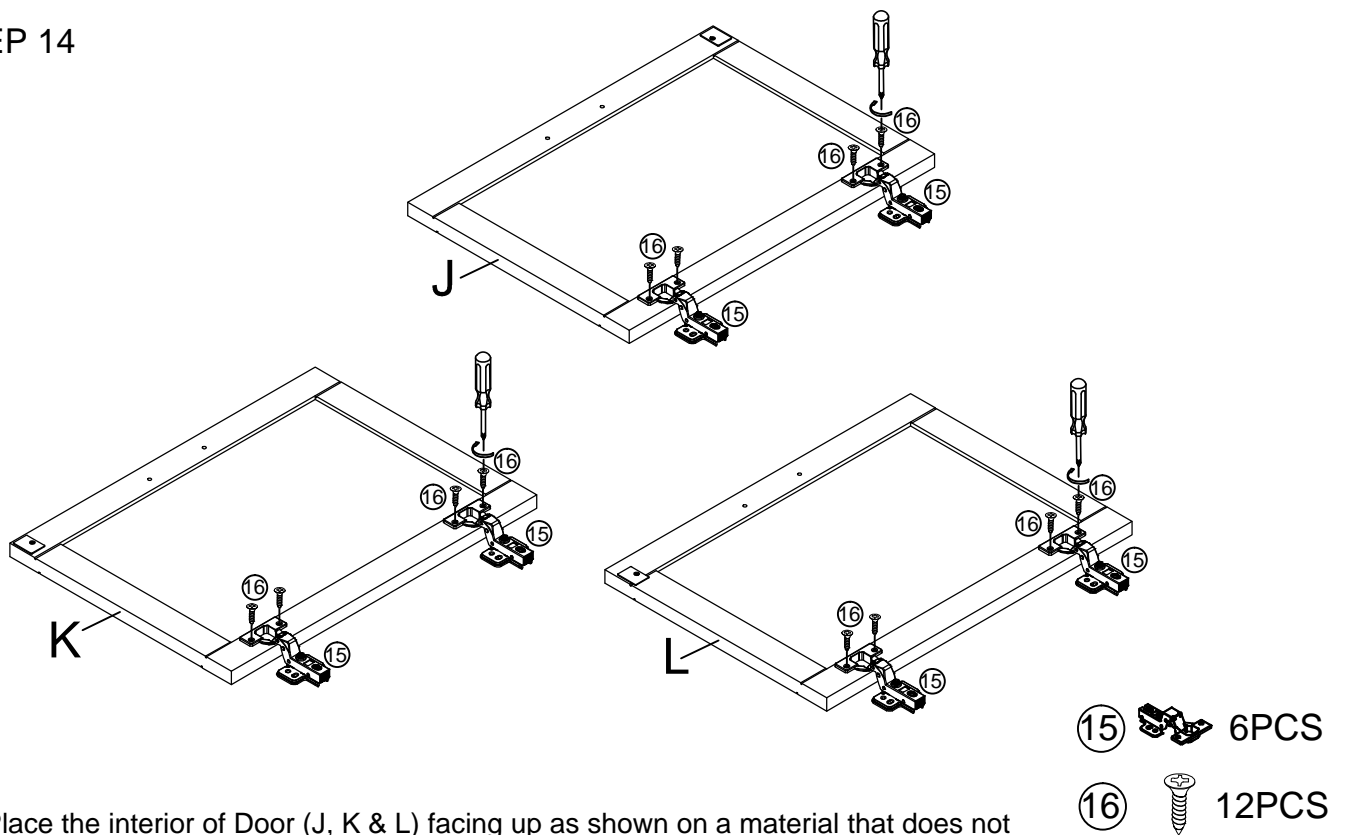
Edgerton Sideboard ITEM# 85550

STEP 13



A. Use Screw (19) to fasten Door Plate (18) to each door as shown.

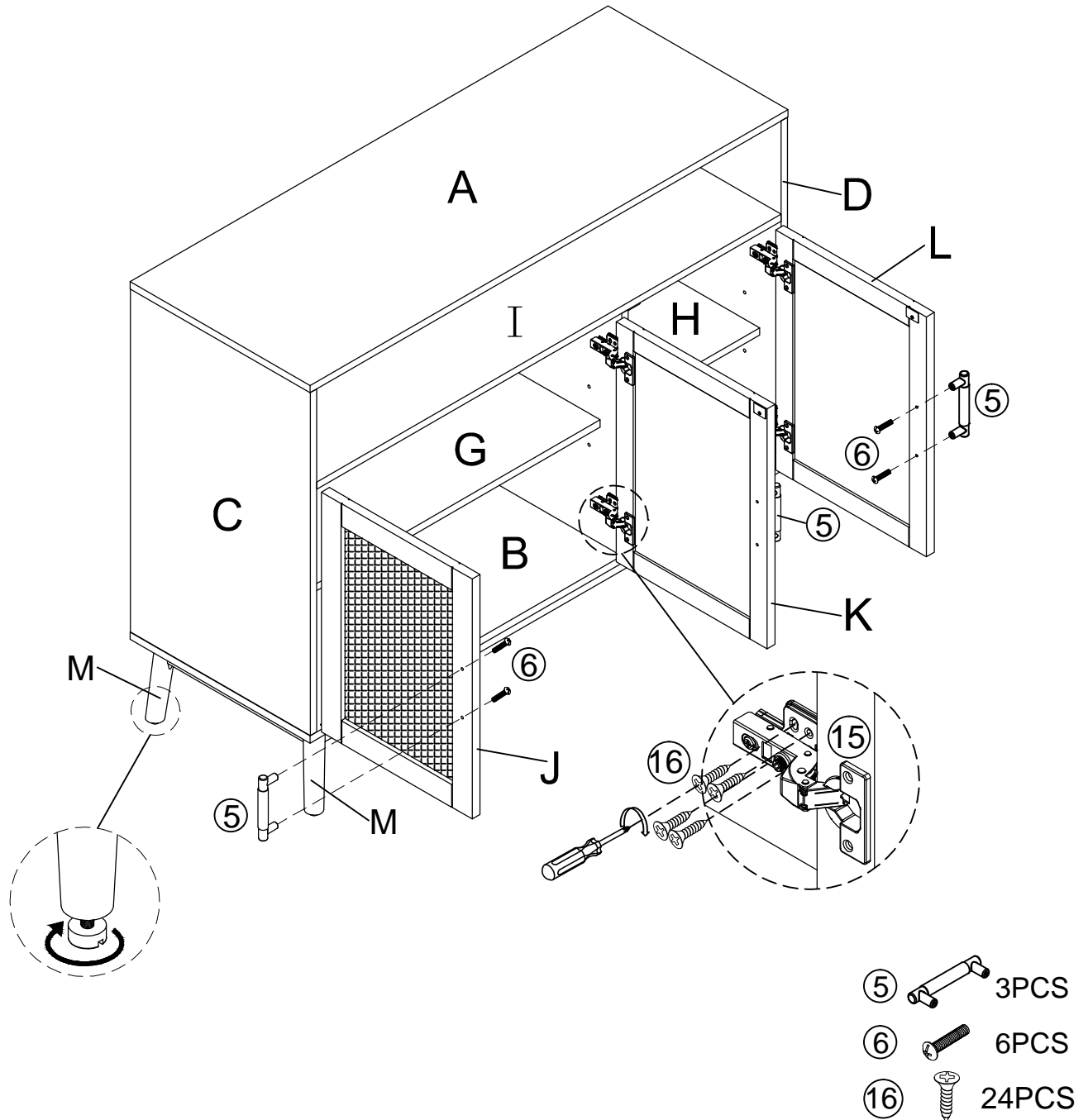
STEP 14



A. Place the interior of Door (J, K & L) facing up as shown on a material that does not scratch or damage the front surface.
 B. Place Hinge (15) to fit the cup on the Door Wing into the hinge well on door and use Screw (16) to fasten Door Wing.

ASSEMBLY INSTRUCTIONS
Edgerton Sideboard ITEM# 85550

STEP 15



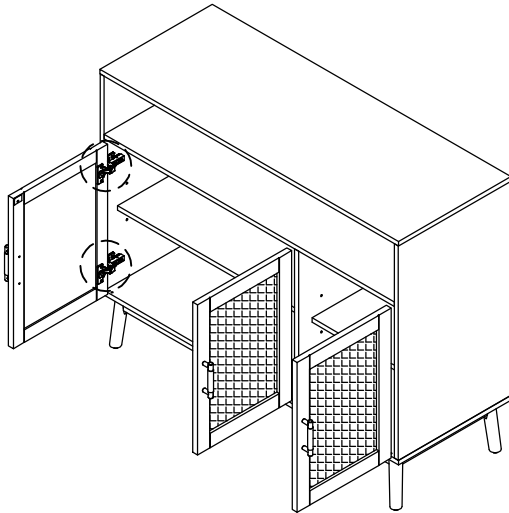
- A. Position each Door (J, K & L) as shown.
- B. Align the screw holes on the frame wing of the hinge to the pilot holes on Side & Partition Panel (C, E & D) and fasten with Screw (16).
- C. Use Handle Bolt (6) to fasten Handle (5) to each door.
- D. Adjust the levelers on the bottom of Leg (M) until it is firmly on the floor.

Note: It is important to adjust the levelers on the bottom of Leg (M) when the unit is fully assembled and placed upright. Always extend the adjustable leveler until it is firmly on the floor.

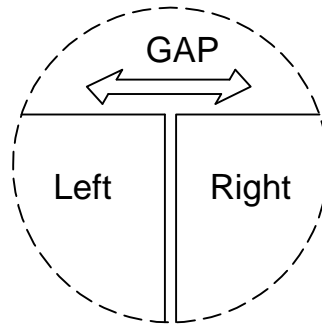
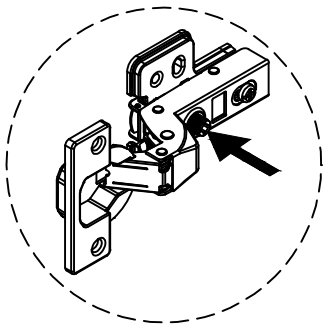
Important: Safety strap kit (part #17) must be installed to prevent tip-over which may cause damage and /or injury.

ASSEMBLY INSTRUCTIONS
Edgerton Sideboard ITEM# 85550

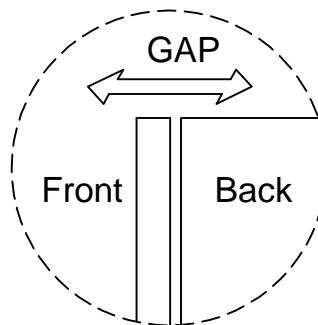
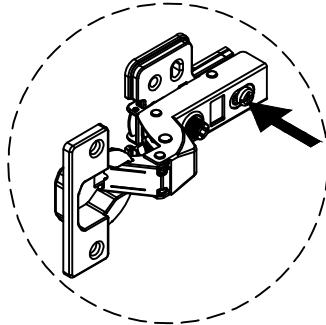
STEP 16



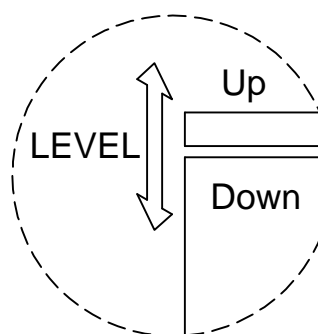
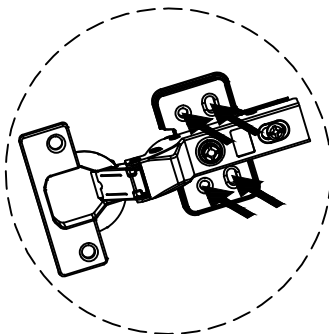
1). If the door left and right are not aligned, adjust the front screw as shown.



2). If the door front and back are not aligned, adjust the back screw as shown.


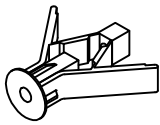



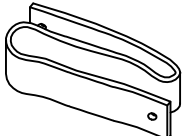


3). If the doors are not levelled, adjust the four screws as shown.



The assembly of the sideboard is complete.

ASSEMBLY INSTRUCTIONS
Edgerton Sideboard ITEM# 85550

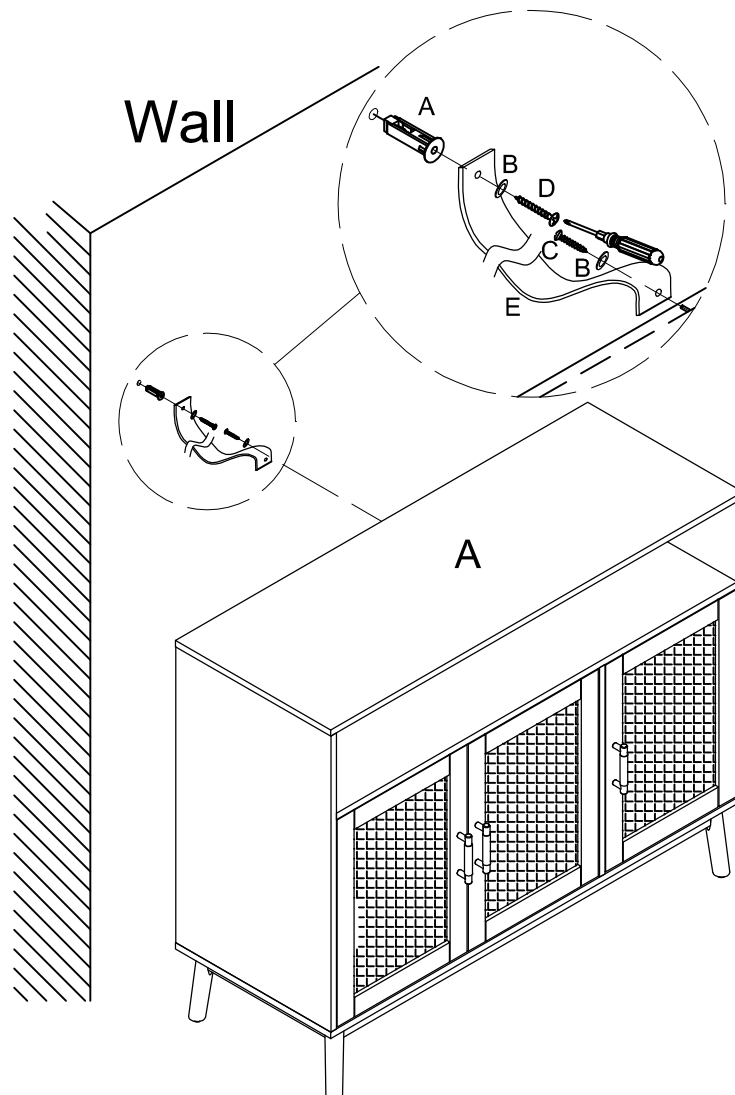
#17	A	B	C	D	E
					
Safety Strap Kit	Wall Anchor	Washer	Short Screw	Long Screw	Safety Wall Strap
1 SET	1 PC	2 PCS	1 PC	1 PC	1 PC

SAFETY WALL STRAP INSTALLATION

It is highly recommended to install the safety strap to prevent tip-over which can cause damage and/or injury.

1. Insert Short Screw (C) through Washer (B) and Safety Strap (E) to screw onto the Back edge of Top Panel (A). Use a Phillips screwdriver to drive (C).
2. At the location where you want to secure the unit, drill a hole to fit Wall Anchor (A) snugly. The drilled hole has to level with safety strap on the back edge of (A).
3. Next, fit Wall Anchor (A) into the drilled hole.
4. Insert Long Screw (D) through Washer (B) and Safety Strap (E) to screw into Wall Anchor (A). Use a Phillips screwdriver to drive (D).

Note: This item is not designed to store clothing.



The assembly of the buffet unit is complete.