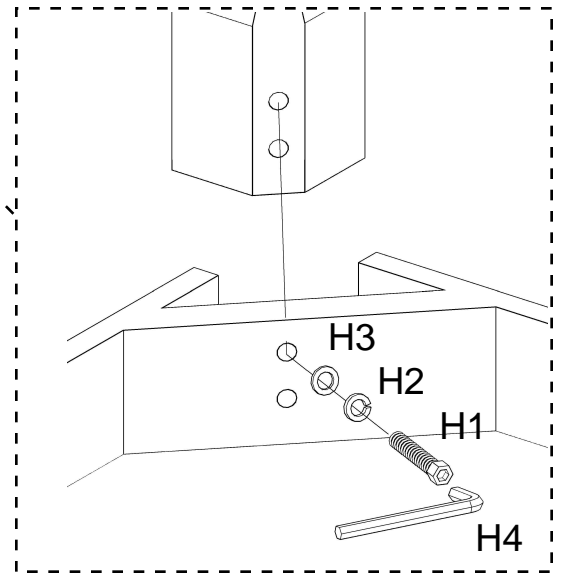
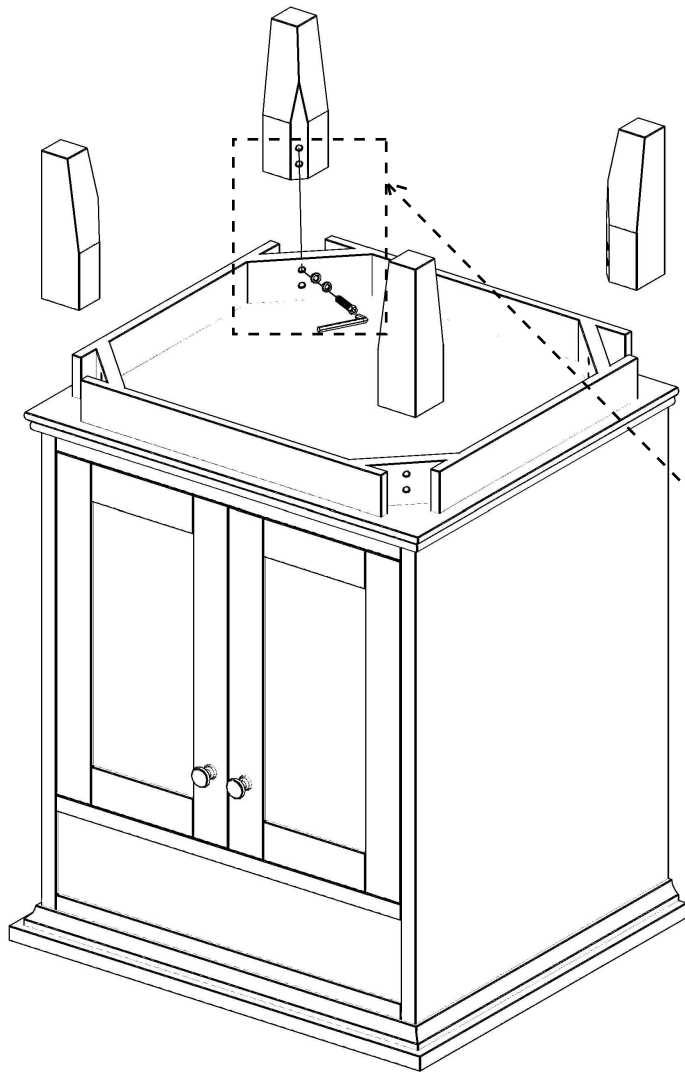


# Assembly Instructions



## hardware



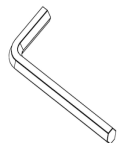
Screw  
(H1) x 8



Lock Washer  
(H2) x 8



Flat Washer  
(H3) x 8



Allen Wrench  
(H4) x 1