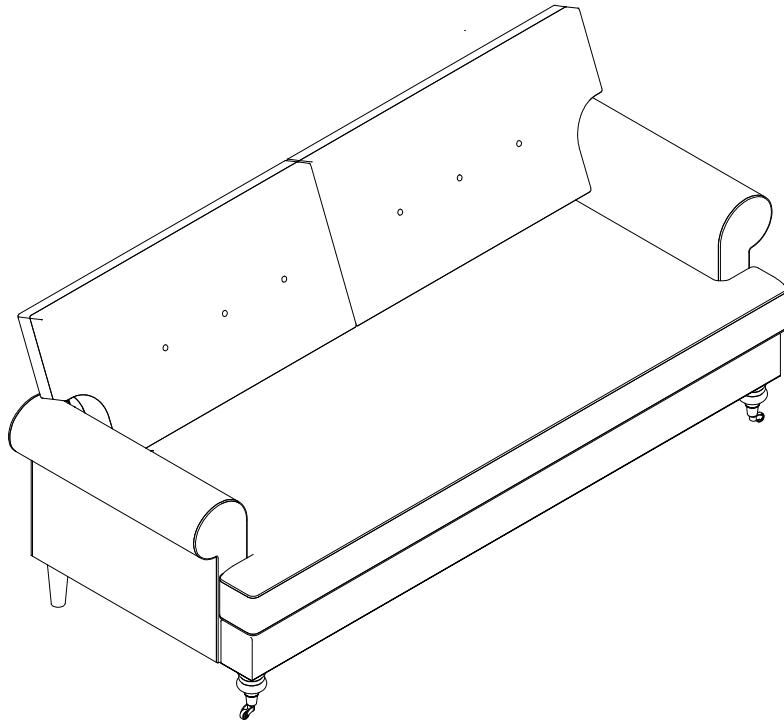
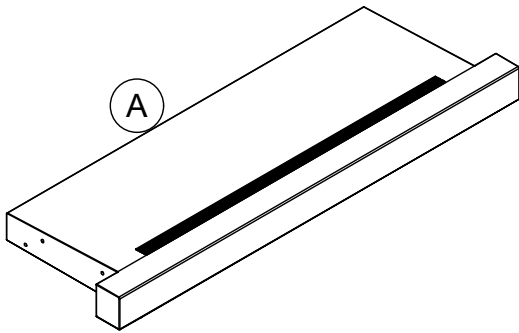


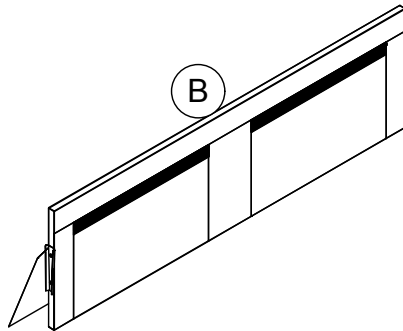
# Assembly Instruction



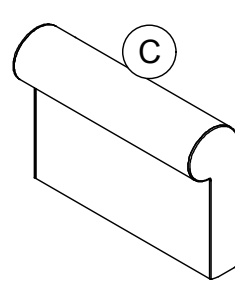
## PART



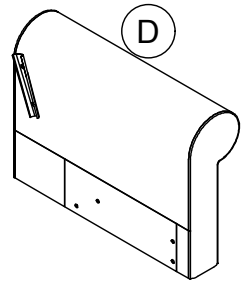
Seat X 1 PC



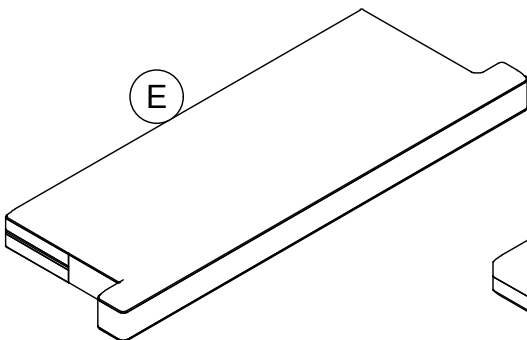
Back X 1 PC



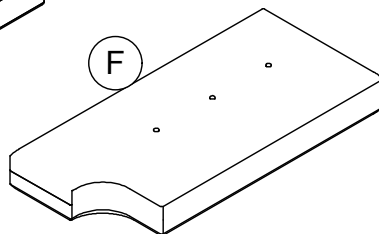
Arm X 1 PC



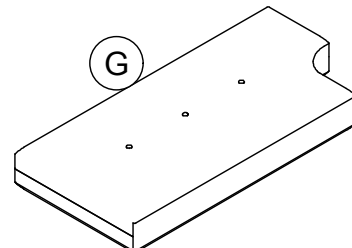
Arm X 1 PC



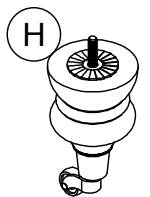
Seat Cushion X 1 PC



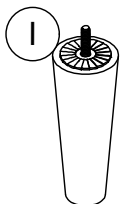
Back Cushion X 1 PC



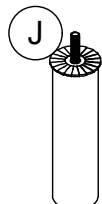
Back Cushion X 1 PC



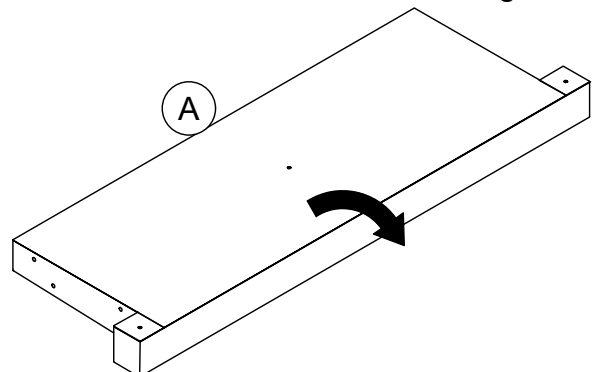
Front Leg X 2 PCS



Rear Leg X 2 PCS

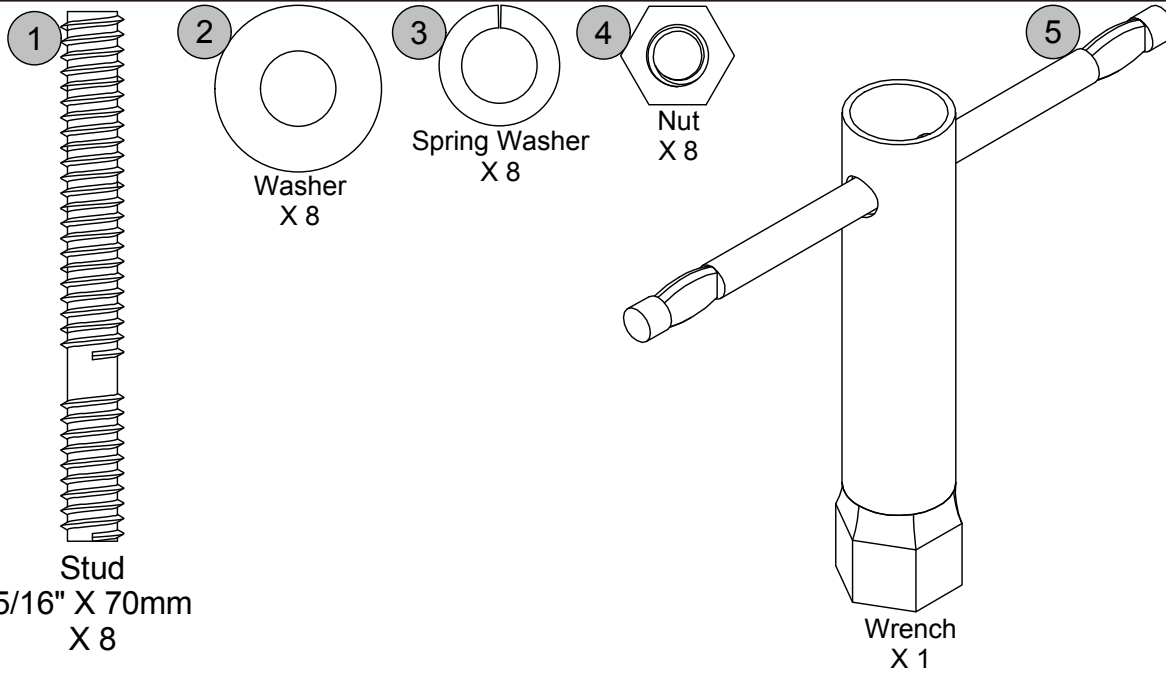


Middle Leg X 1 PC



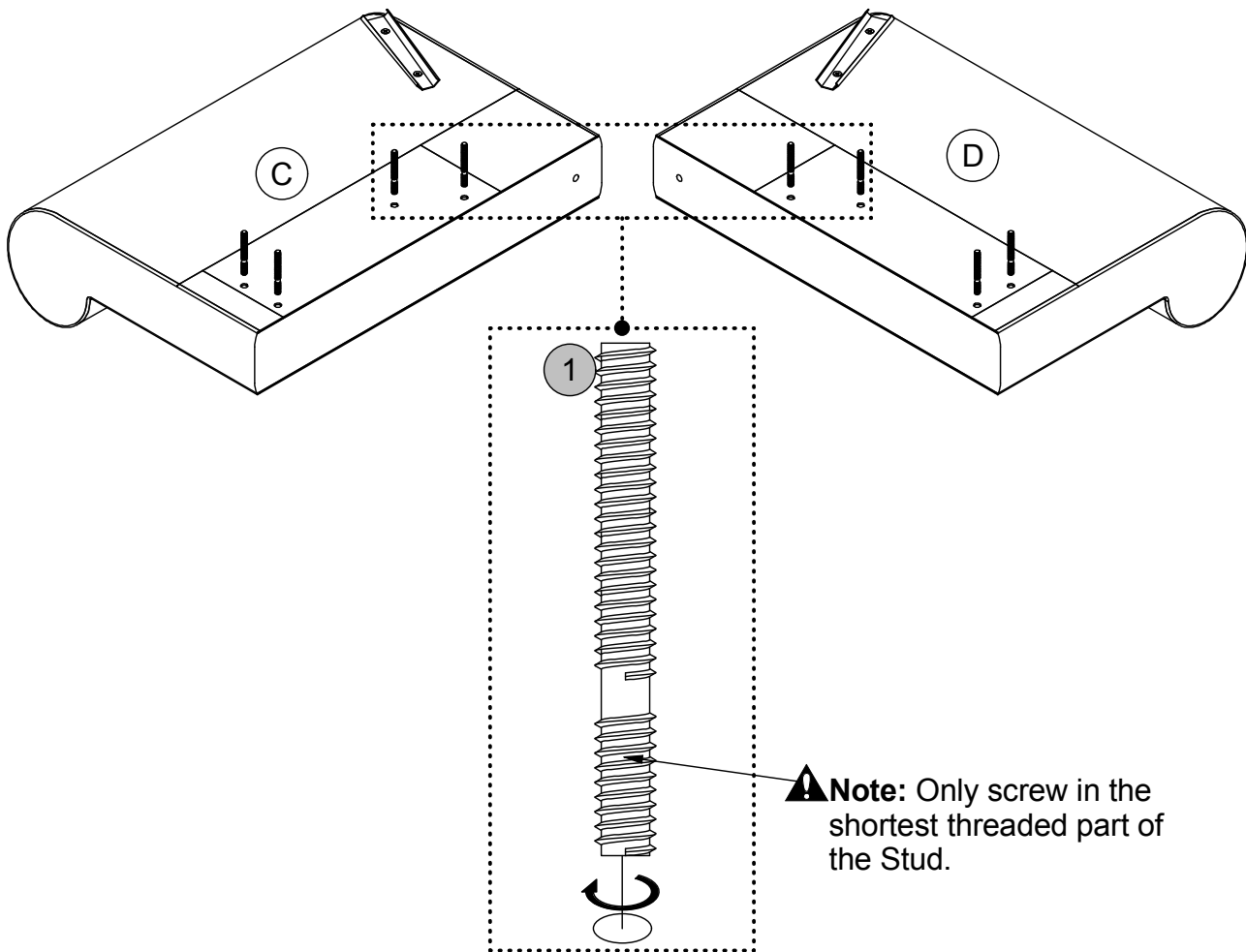
**!** Some parts will be found in the compartment under the seat as shown.

# HARDWARE



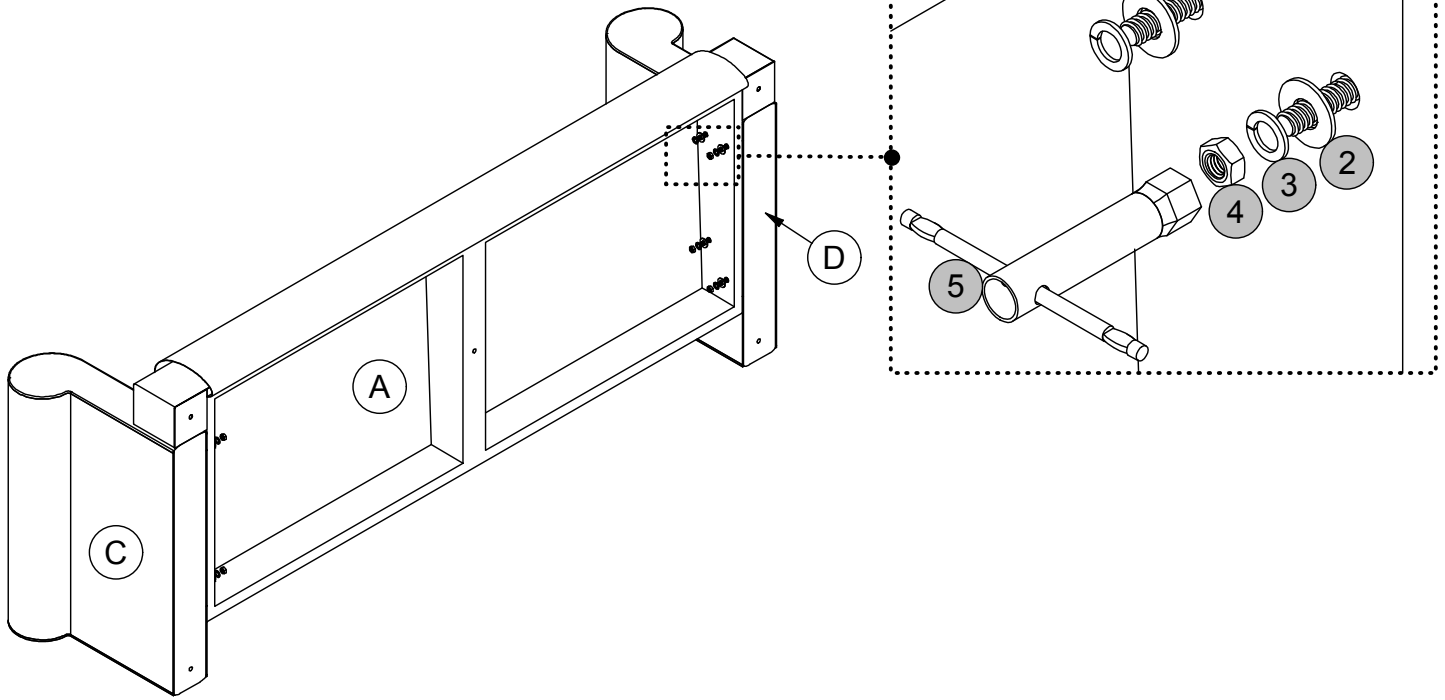
## STEP 1:

Hand tighten ① into C & D, as shown.



**STEP 2:**

Attach **C** & **D** to **A** with **2**, **3**, **4**, as shown.

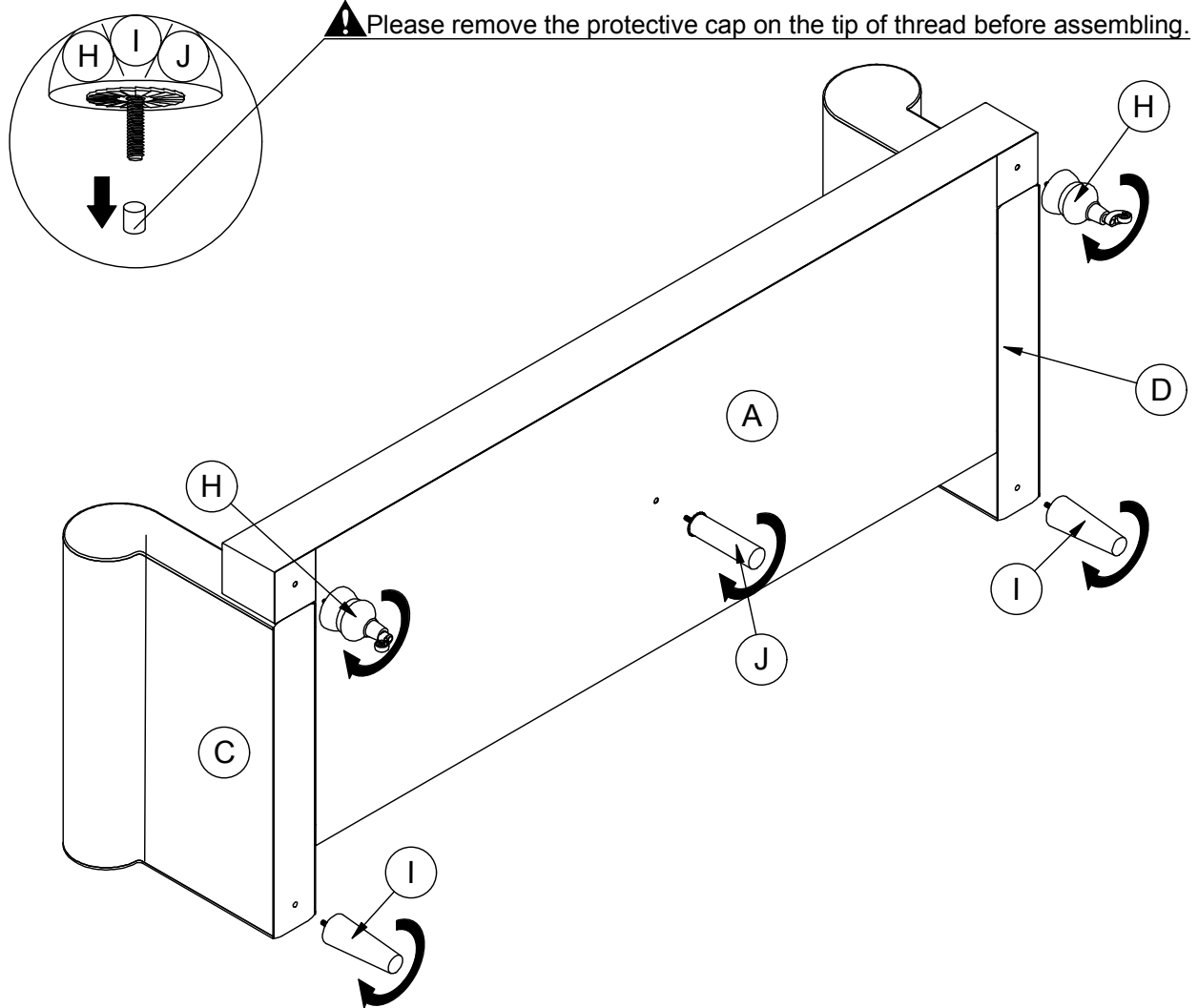


**Step 3:**

3.1 Manually screw **H** x 2 to **A**.

3.2 Manually screw **I** x 2 to **C** & **D**.

3.3 Manually screw **J** to **A**, as shown.

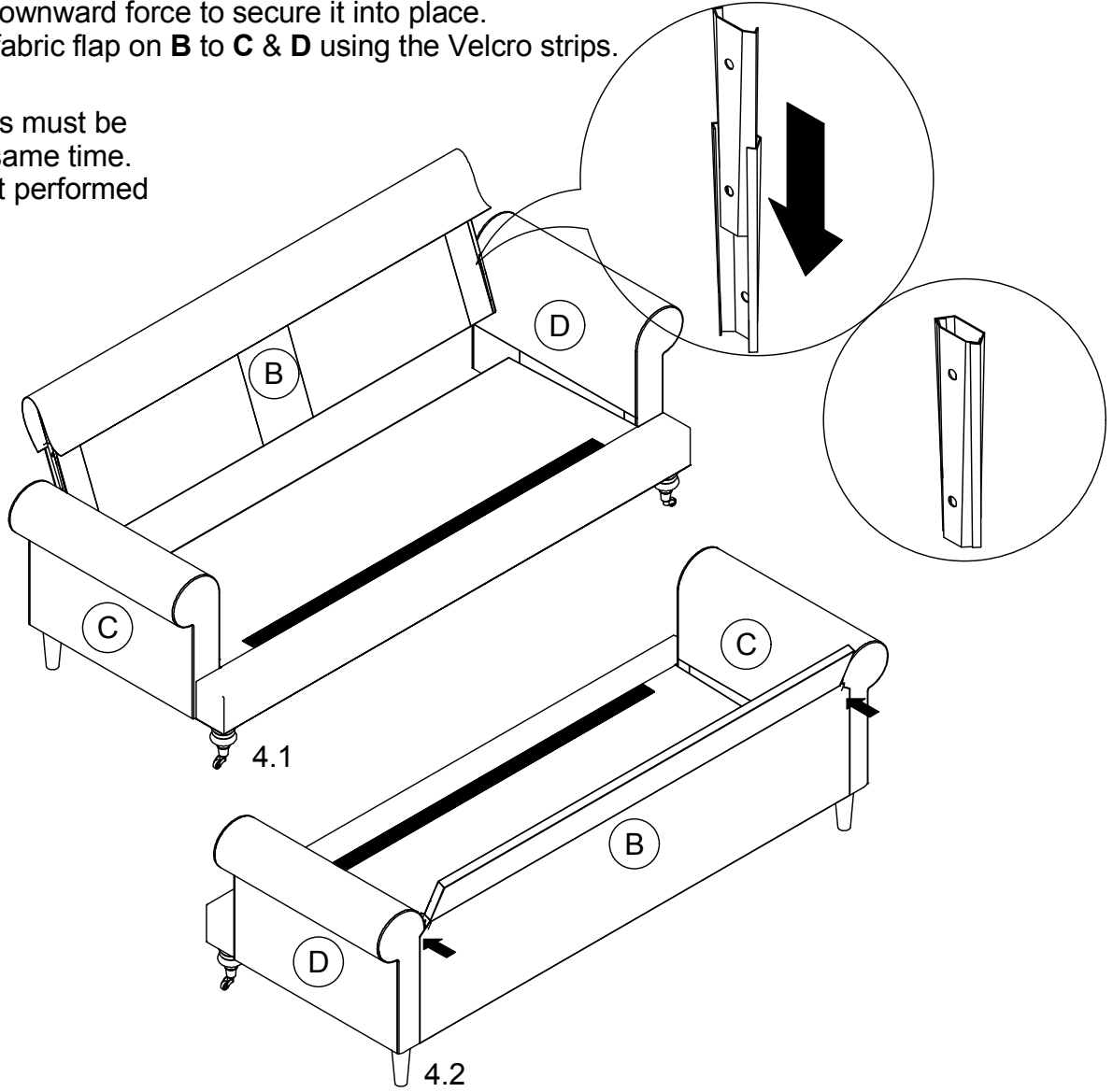


**STEP 4:**

4.1 Attach **B** to **C** & **D** by inserting the brackets on **B** into the metal glides on **C** & **D**. Push **B** with a downward force to secure it into place.

4.2 Secure the fabric flap on **B** to **C** & **D** using the Velcro strips.

**Note:** Both sides must be inserted at the same time. This step is best performed with 2 people.



**Step 5:**

Place **E**, **F** & **G** onto the sofa.

