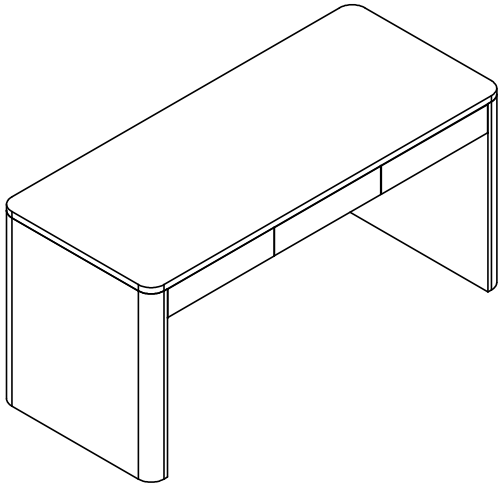

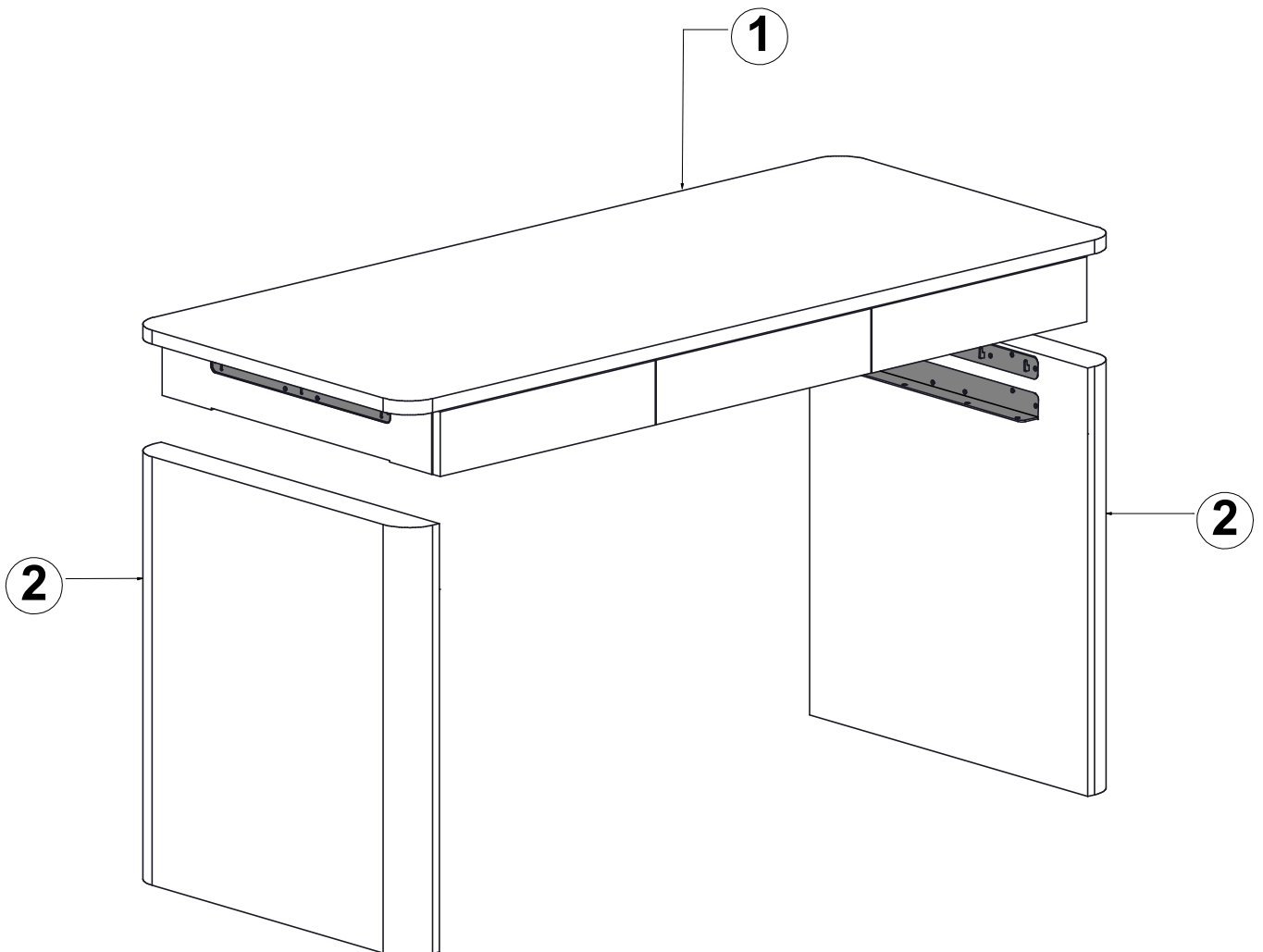


ASSEMBLY INSTRUCTION FOR MULLINS - DESK

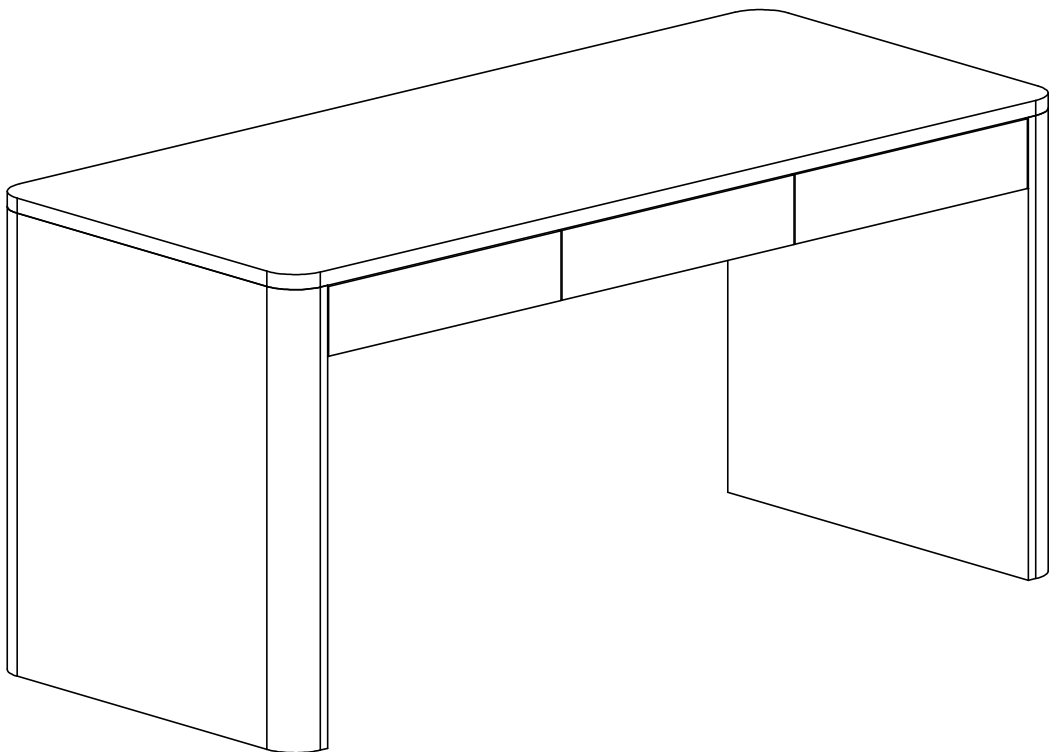
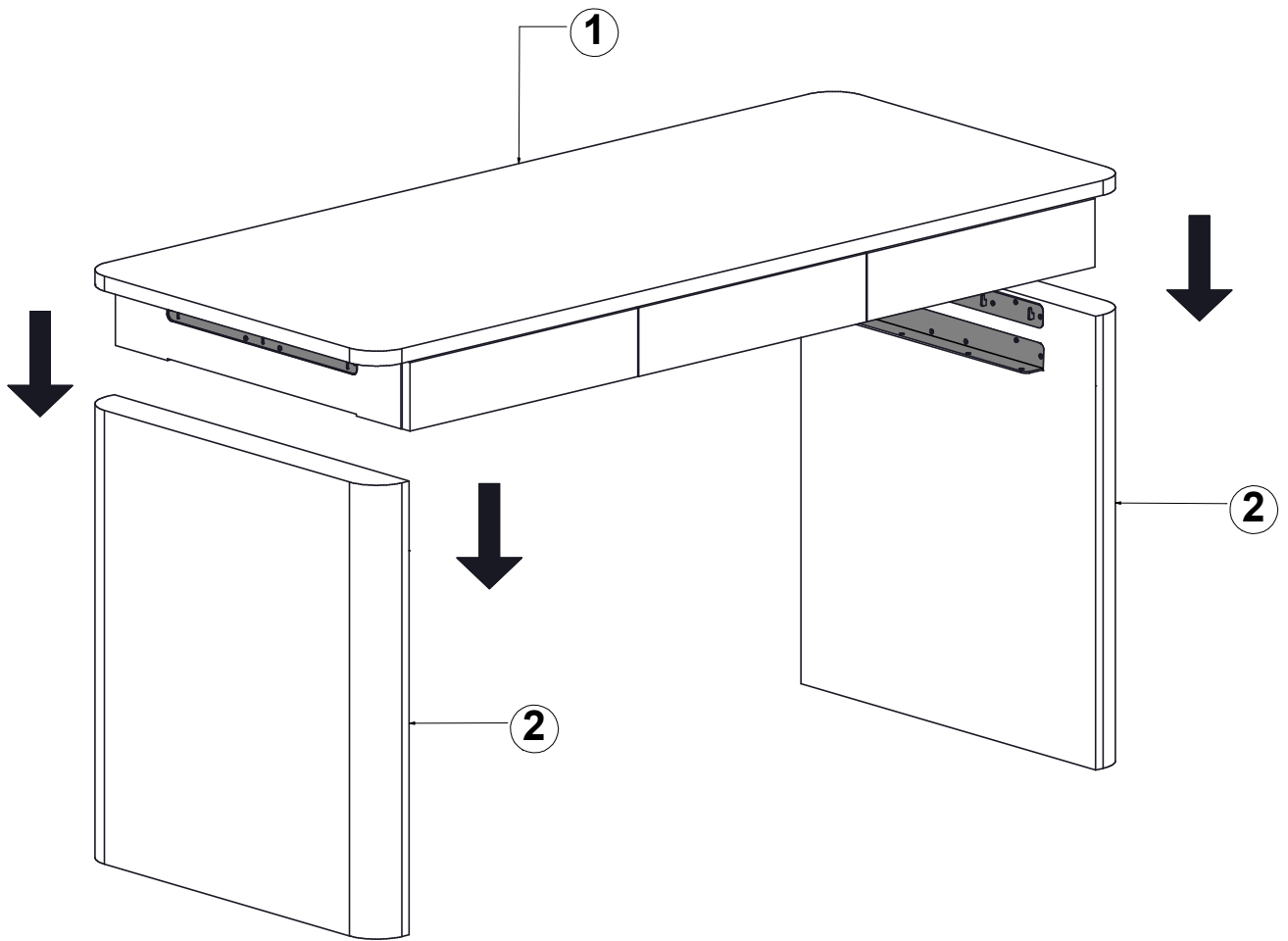


HARDWARE LIST

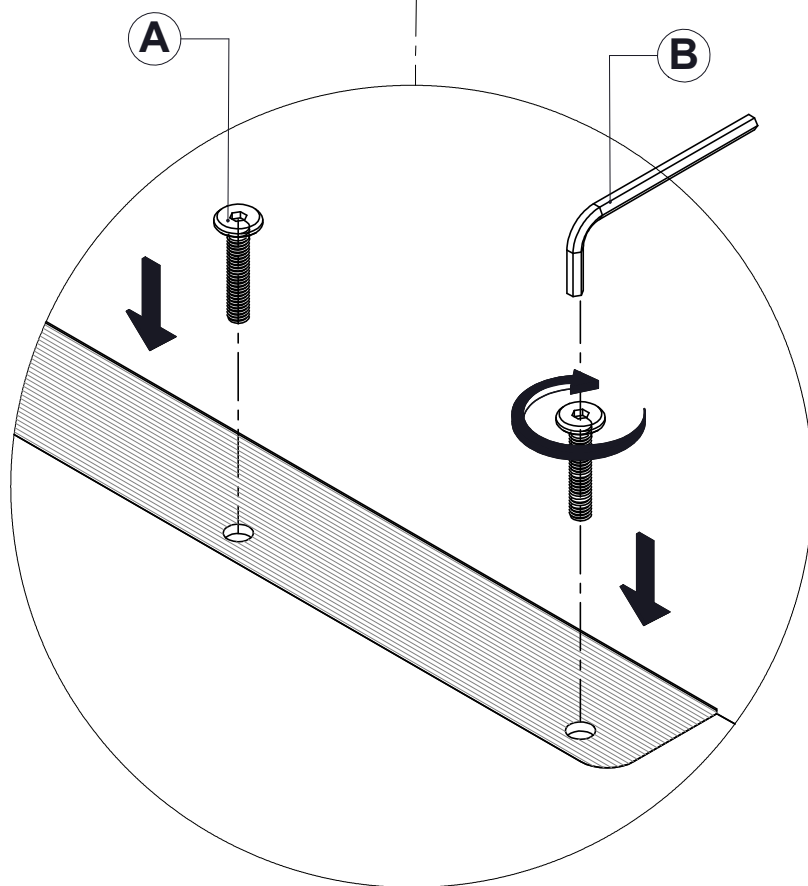
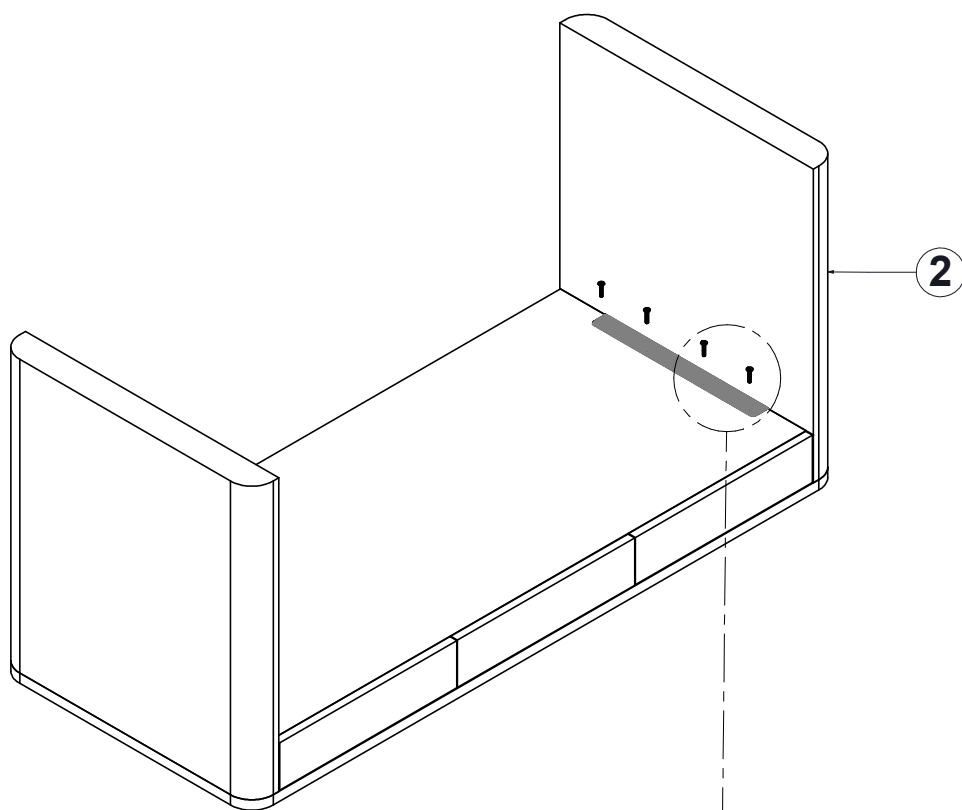
A		JCBC M6 x 20	6mm x 20mm	8
B		Allen Key 4	4mm	2



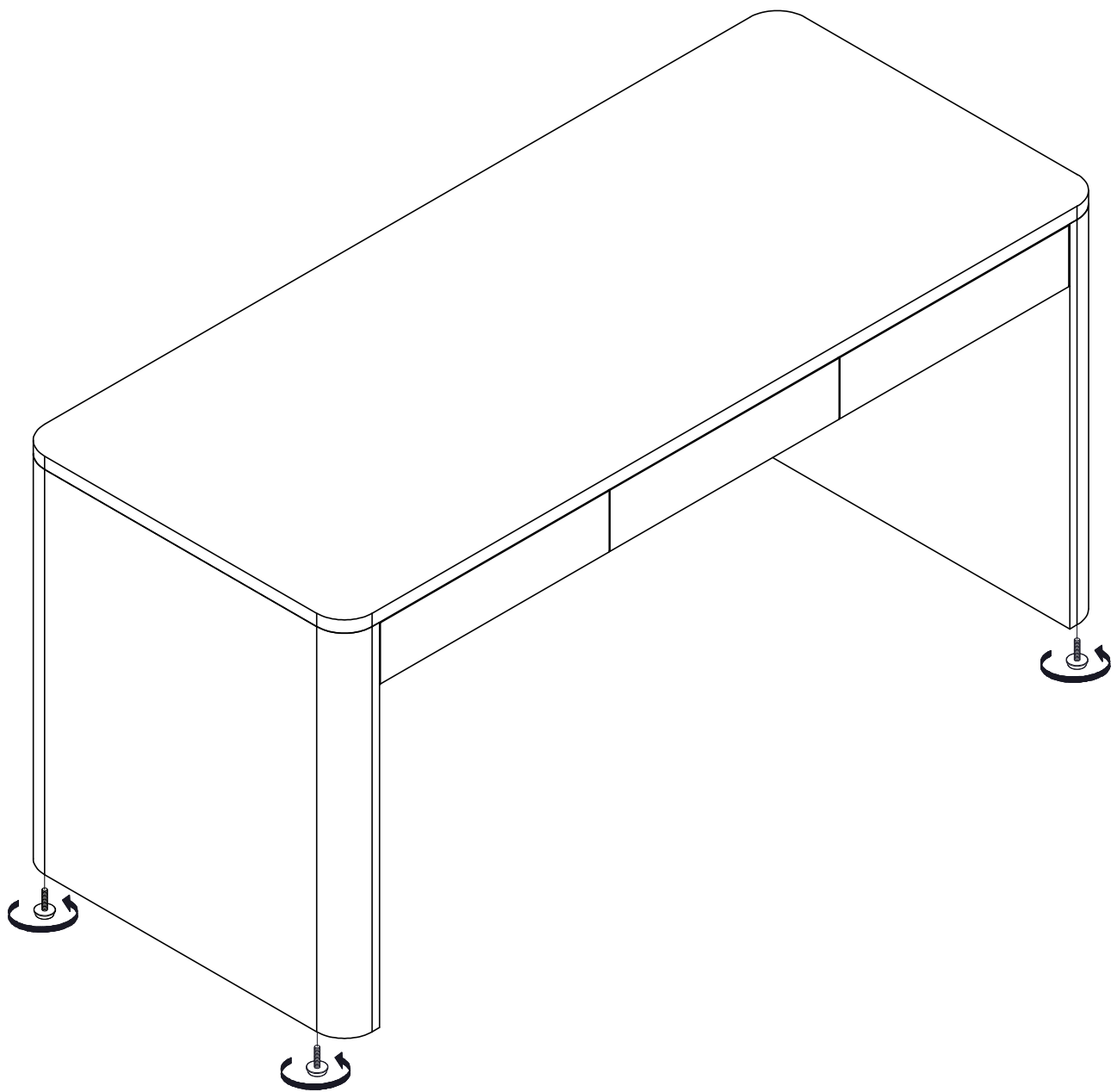
STEP 1



STEP 2



STEP 3



Adjustable Leveller