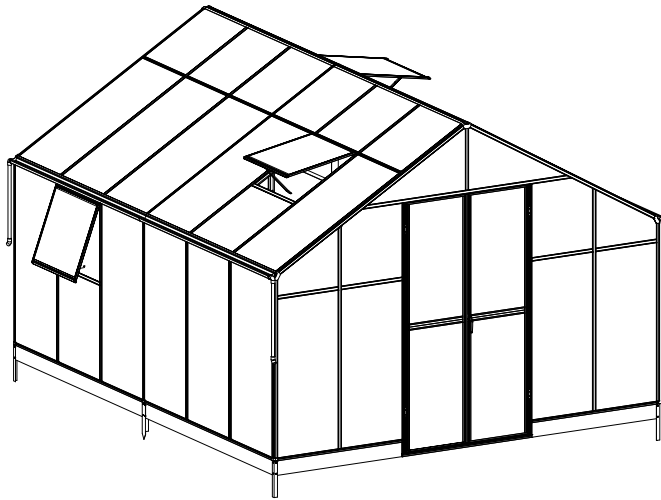


Assembly Instructions

MODEL:AMT606

PRODUCT SIZE(LxWxH): 12X14

PLEASE READ CAREFULLY BEFORE ASSEMBLY



Greenhouse 12x14 FT Assembly Instruction

SKU:

YPG011-1E1A0(BOX 1/4)

YPG012-1F1A1(BOX 1/5)

YPG012-1F1A2(BOX 2/5)

YPG011-1F101(BOX 2/4(PC)&3/5(HB))

YPG011-1F102(BOX 3/4(PC)&4/5(HB))

YPG011-1F103(BOX 4/4(PC)&5/5(HB))

Arrive in 4 or 5 separate boxes and may not be part of the same shipment; Please install the product after receiving all the packages.

Email Address:support@wepatio.com

Tel: 901-347-2181

Service Time: 8 am - 5 pm (central time) Monday- Friday.

If no one picks up, please call several more times

2025/3/8

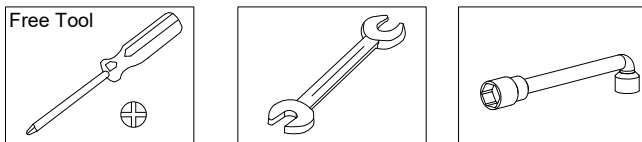
CONTENTS

1. Assembly Advice	Page 1
2. Product Features	Page 2-3
3. Parts List	Page 4 -8
4. Customer Service Guide	Page 9
5. Door Assembly	Page 10 - 13
6. Roof Vent Assembly	Page 14 - 16
7. Base Assembly	Page 17-19
8. Framework & Glazing Assembly	Page 20 - 39

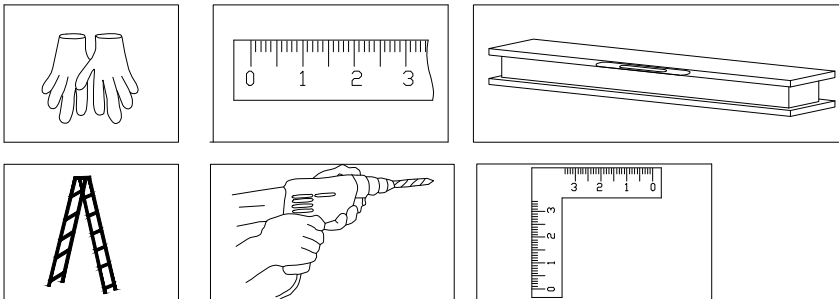
Assembly and Maintenance Advice

1. For safety purposes, we strongly recommend that this product is assembled by at least two people.
2. Some components have sharp metal edges. Please be careful when handling metal components. Please wear gloves, shoes and safety goggles during assembly.
3. Lay all of the components on a soft carpet or blanket to avoid any scratches or damages.
4. DO NOT climb or stand on the roof. Heavy articles should not be leaned against the greenhouse.
5. Keep the roof and gutter clear of snow, dirt & leaves. Allowing snow to build up on the roof may damage the product.
6. Unlike steel, if the paint finish is scratched this will not harm the aluminium underneath.
7. When your product needs cleaning, use a mild detergent solution and rinse with cold clean water. Do not use acetone, abrasive cleaners or strong detergents to clean the panels.

Tools Provided:



Tools Required when Assembly (Not Provided)



Assembly at least by two Persons

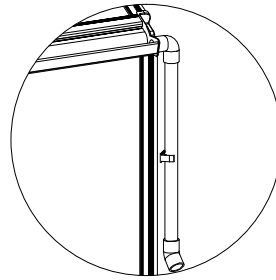


NOTICE: Please scan the QR code with your phone to watch a detailed installation video and make assembly easier.

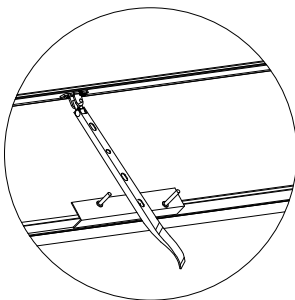


Functions and Features:

1. The strong two part eaves beam includes an integral gutter. Downpipes are also included as standard so you can collect rainwater.

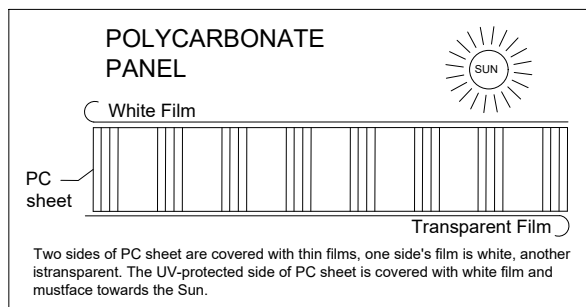


2. Manual window handles are included as standard with the roof vents.

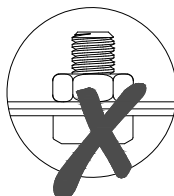
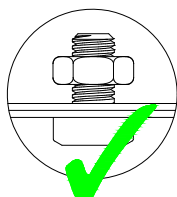


Manual Opener

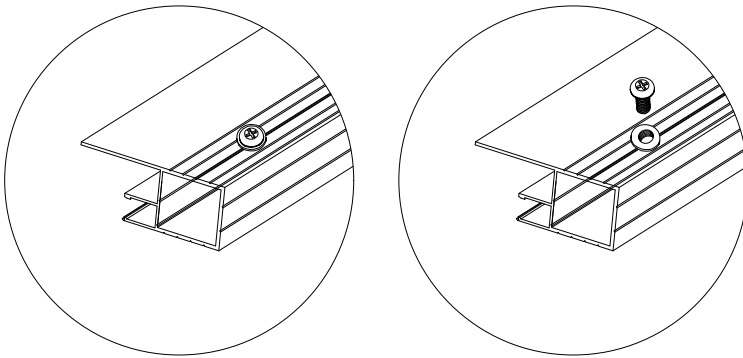
3. Remove approximately 2 inches of film from all sheet edges before installing and remove all film immediately after the construction is completed. Please ensure that the side with the white film faces outwards.



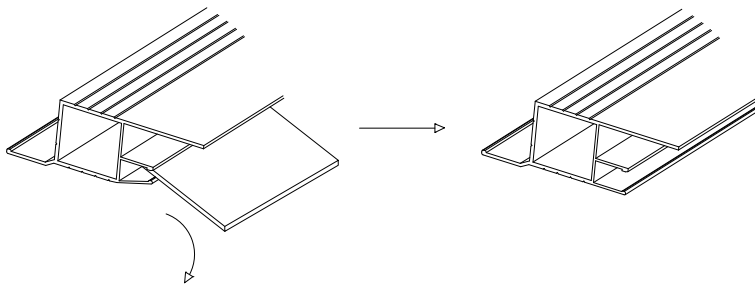
4. This quality greenhouse features self-tapping screws to provide strong joints. As the name suggests, the screws tap their own thread. Driving in self-tapping screws requires more force than conventional screws. A powered screwdriver is therefore recommended.
5. Nuts not to be tightened before the end of assembly! Unless otherwise stated, do not tighten the bolts/nuts/screws until the shed is finally erected!

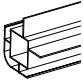
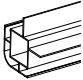



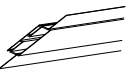
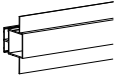
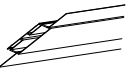


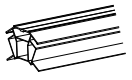
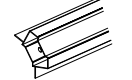

6. S26 and S27 are mostly installed on the profiles. Please remove S26 and S27 before installation.

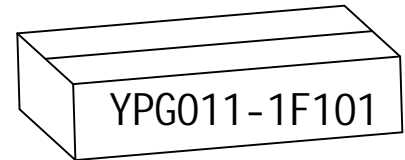





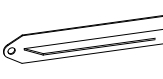
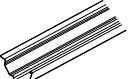
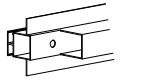
7. If the polycarbonate slot is deformed during transport, use a flat wooden or plastic block to straighten it (Avoid sharp objects to prevent damage to the aluminum).




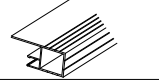
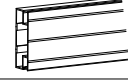
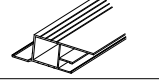
	PART	NO	QTY
1		L01B	2
	1971mm		
2		L01C	2
	1971mm		
3		L02B	2
			2
			2
			2
			8
4		L02G	1
	1925mm		
5		L03A	1
	2045mm		
		L13A	1
	2046mm		
6		L03B	1
	2045mm		
		L13A	1
	2046mm		



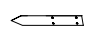

	PART	NO	QTY
6		L06C	2
	2032mm		
7		L07C	4
	2032mm		
8		L08C	4
	2032mm		

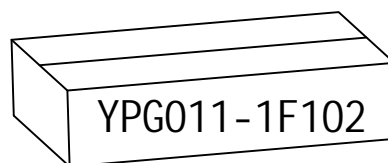


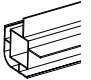
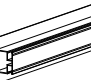
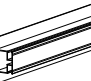


	PART	NO	QTY
1		L02C	1
		L02D	1
2		L02E	1
		L02F	1
3		L03C	2
4		L05C	8
5		L09C	4
6		L10B	1
			1
			2
	1971mm		





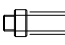






door

	PART	NO	QTY
7		L15A	4
8		L16A	2
9		L17	2
10		L18A	1
		L18B	1
			2030mm

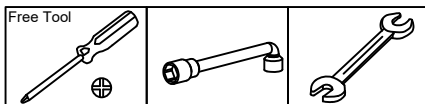
	PART	NO	QTY
		A1	2
		B1	2
		C1	4
A1:1174 B1:1771 C1:2074			
		D306	4
		D307	3
		D330	2





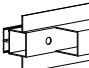















	PART	NO	QTY	
1	 1475mm	L01A	2	4
			2	
2	 1475mm	L02A	2	8
			2	
			2	
			2	
3	 530mm	L02H	2	
4	 557mm	L04A	5	10
			5	
5	 657mm	L04B	4	14
			4	
			4	
			2	


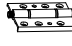

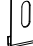

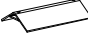






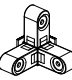
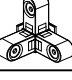






PART	NO	QTY
	S01	36
	M6X12	
	S20	212
	M5X10	
	S26	120
	M5X12	
	S28	8
	M4X10	
	S69	16
	M6X60	
	M01	36
	M6	
	M02	8
	M4	
	M08	220
	M5	
	Z02	34
	Ø4X16D	
	Z08	6
	M4.2X16	
	Z17	8
	M4.8X16	

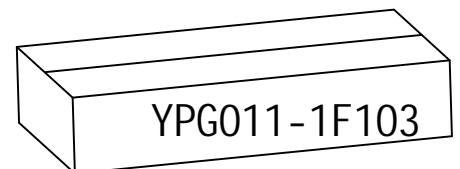
Tools Provided:



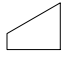
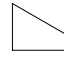
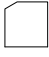
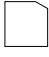
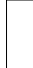





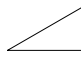
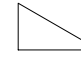


	PART	NO	QTY
6	 1143mm	L05A	5
7	 1143	L08A	2
8	 A:1143 F:1192	L08A	1
		L08F	1
9	 1143mm	L08D	1
		L08E	1
10	 1475mm	L10A	1
		L10A	1
11	 650mm	L25	4
12	 680mm	L11A	2
		L12A	2
13	 680mm	L11B	2
		L12A	2
14	 648mm	L19	8
15	 680mm	L20	4
16	 680mm	L21	4

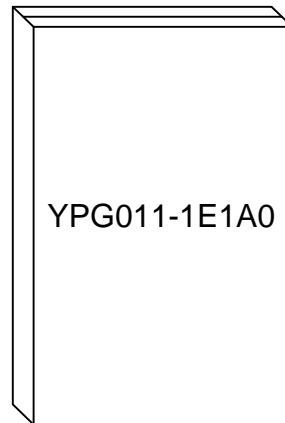
PART	NO	QTY
	H152	1
	D47	1
	S76	2
	M4X25	
	H192	1
	H201	2
	A89A-1	2
	A89A-2	2

	PART	NO	QTY
		A03	4
		A51	4
		A79	4
		D05	25
		D25	2
		D26	1
		D114	16
		D329	6
		D341	4
		J93	4
		J94	4
		J166	4
		A95L	2
		J168L	
		A95R	2
		J168R	
		A96	4
		J169	
		A97	6
		J170	
		A98	3
		J171	
		J172R	2
		J172L	2
		J173	2

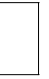
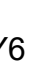
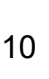





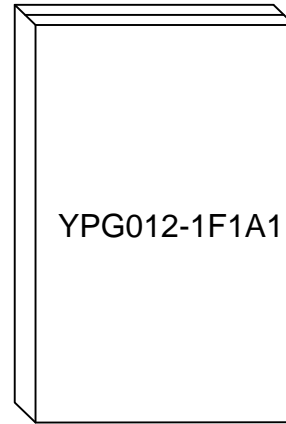
PC NO. 1

PART	NO	QTY
	Y1	2
507X578mm		
	Y2	2
507X578mm		
	Y3	2
608X578mm		
	Y4	2
608X578mm		
	Y5	10
1328X578mm		
	Y6	10
1500X678mm		
	Y7	10
1328X678mm		
	Y9	14
663X678mm		
	Y10	4
615X678mm		
	Y11	4
998X506mm		
	Y13	2
564X976mm		
	Y14	2
564X976mm		
	Y15	2
608X578mm		
	Y16	2
798X678mm		

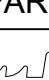
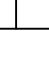
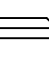





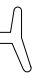
HB NO. 2

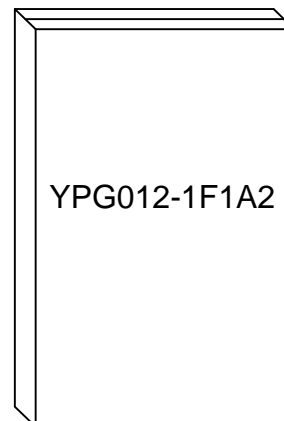
PART	NO	QTY
 1328X578mm	Y5	10
 1500X678mm	Y6	10
 1328X678mm	Y7	10
 998X506mm	Y11	4
 564X976mm	Y13	2
 564X976mm	Y14	2

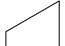
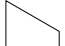


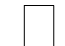





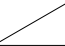
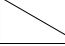




HB NO. 3

PART	NO	QTY
 507X578mm	Y1	2
 507X578mm	Y2	2
 608X578mm	Y3	2
 608X578mm	Y4	2
 663X678mm	Y9	14
 615X678mm	Y10	4
 608X578mm	Y15	2
 798X678mm	Y16	2

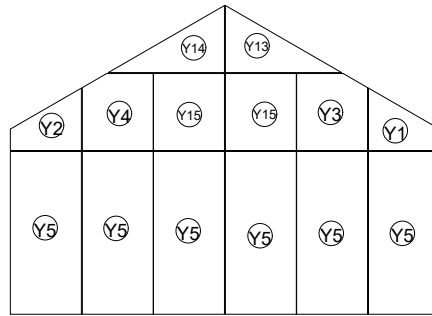
PART	NO	QTY
	J190	142M



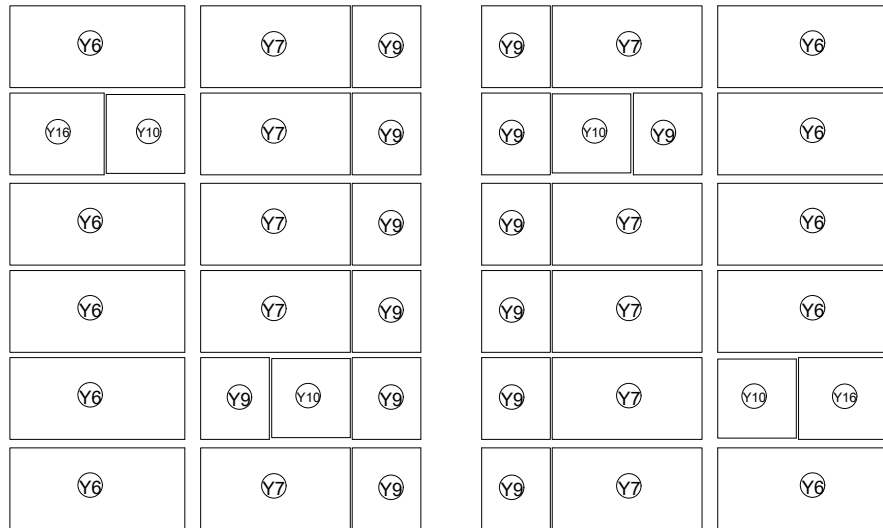
PART	NO	QTY
	Y1	2
	Y2	2
	Y3	2
	Y4	2
	Y5	10
	Y6	10
	Y7	10
	Y9	14
	Y10	4
	Y11	4
	Y13	2
	Y14	2
	Y15	2
	Y16	2

Panel Exploded View

Back Wall

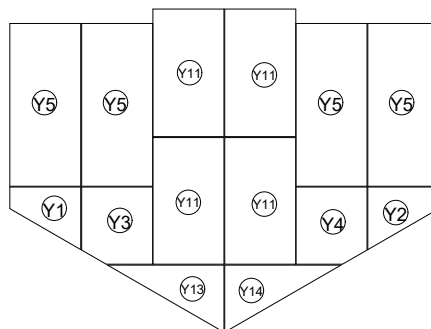


Side Wall



Side Wall

Front Wall



Customer Service Guide

Thank you for choosing our product! If you encounter missing parts, damaged packaging, or product damage upon receiving all parcels, please follow the steps below to contact our service team. We are here to assist you.

Missing Parts

Check the Parts

Compare with the included “Parts List” (refer to page [specific page/section] of the manual) and verify the missing item’s name, specification, and quantity.

Please provide a clear photo of the parts list, highlighting the missing part(s) and its details, e.g., “Missing 5 pcs of M6×30mm screws.”

Contact Us

Phone:

Call our customer service hotline at [901-347-2181] during working hours ([8 am - 5 pm central time]). Please provide order details (order number, purchase platform, purchase date) and a clear description of the missing parts.

Email:

Send an email to [support@wepatio.com] with the subject “Missing Parts Issue.” Describe the missing part(s) in the email body and attach the parts list photo and order details.

Damaged Product or Packaging

If it affects normal use

Steps:

1. Take photos or videos clearly showing the damaged part and the extent of the damage (multi-angle shots are recommended).

2. Send the photos/videos along with your order details to [support@wepatio.com] with the subject “Damaged Product Issue.”

Resolution:

We will arrange for a replacement or refund after verifying the issue.

If it does not affect normal use

Steps:

Contact our customer service team (Phone: [901-347-2181] or Email: [support@wepatio.com]) with a description of the damage and attach photos or videos.

Resolution:

We will provide repair guidance or appropriate compensation


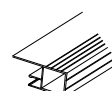
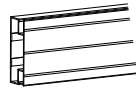
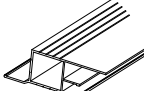








Customer Service Email:[support@wepatio.com]

Friendly Reminder

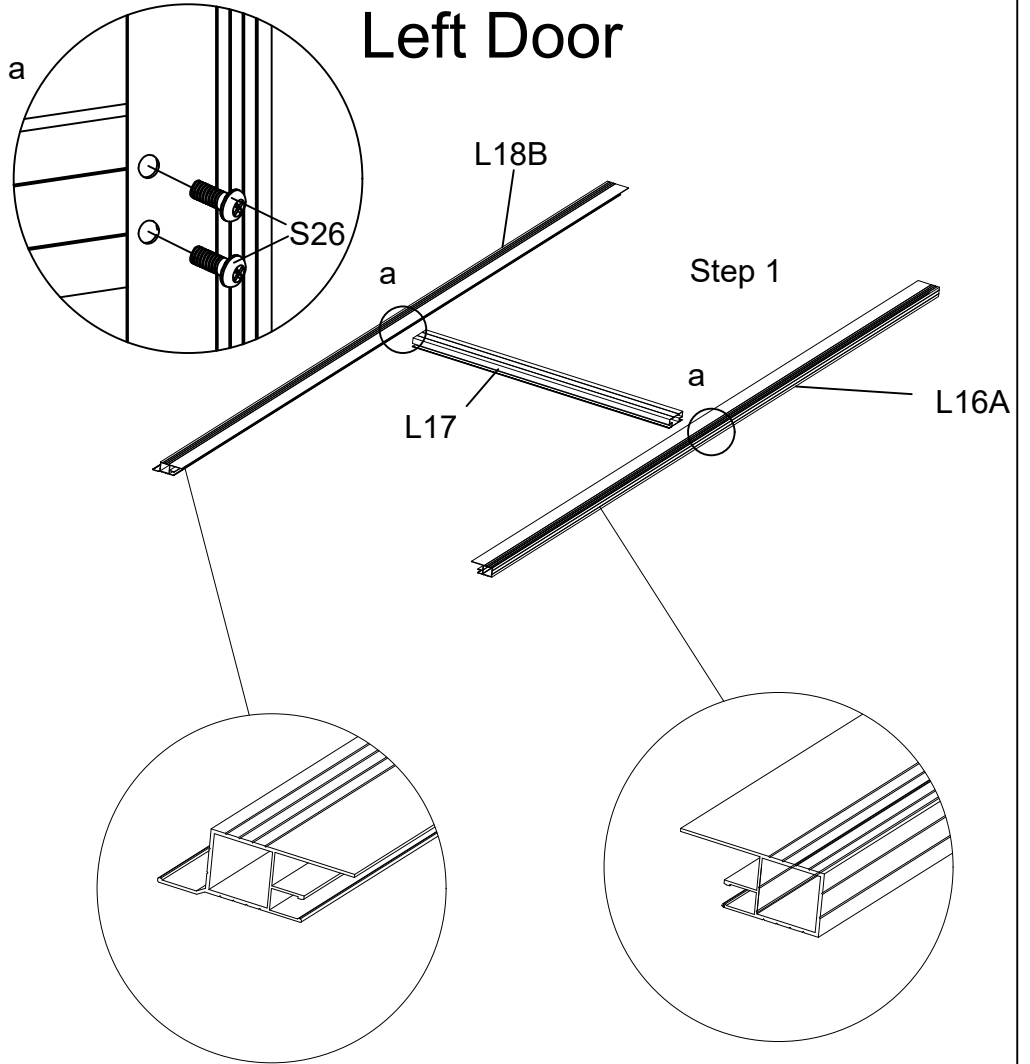
To ensure efficient processing of your issue, please prepare relevant details (e.g., order number, purchase platform, purchase date) and clear photos or videos.

Regardless of the issue, our customer service team is dedicated to providing you with satisfactory solutions.

Thank you for your trust and support, and enjoy your product!

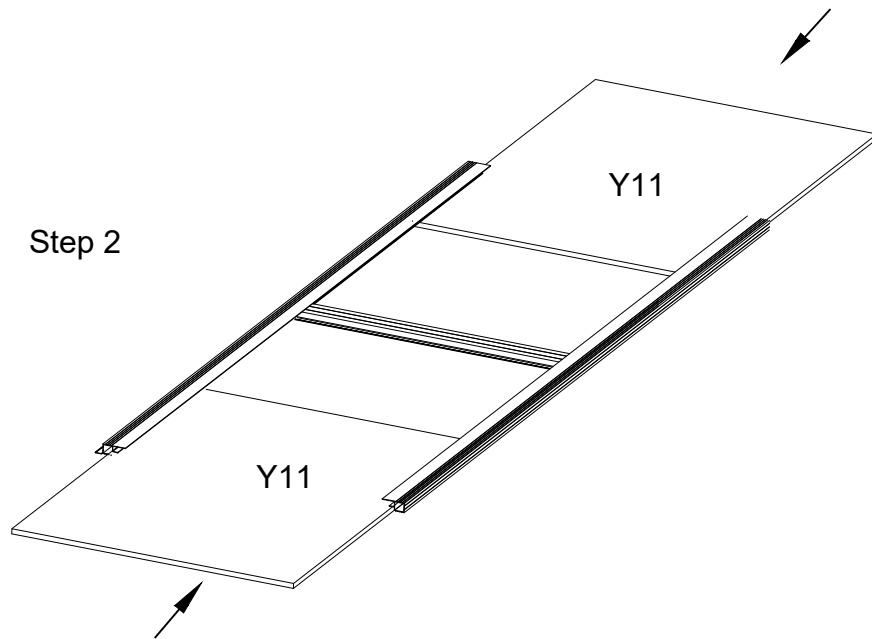
PART	NO	QTY
	L15A	2
	L16A	1
	L17	1
	L18B	1
	S26 M5X12	8
	M08 M5	4
	Y11	2
	H192	1
	H201	2
	A89-2	1
	S84 M4X20 S89	2
	M3X12	2

Left Door

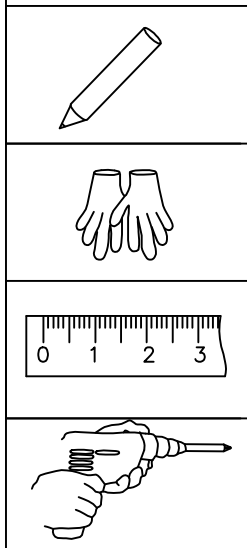


! Attention: Check the direction of the accessories

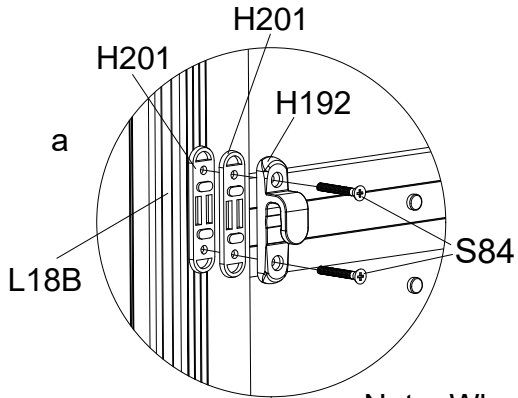
Step 2



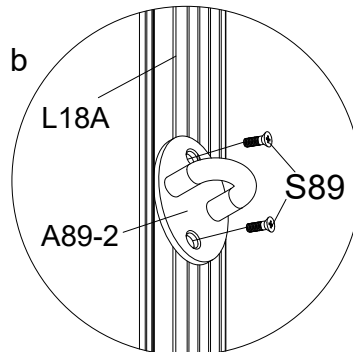
! Attention: Remove the protective films from both sides of each polycarbonate panel, before inserting into aluminum channels. Ensure the milky white film faces towards the Sun.



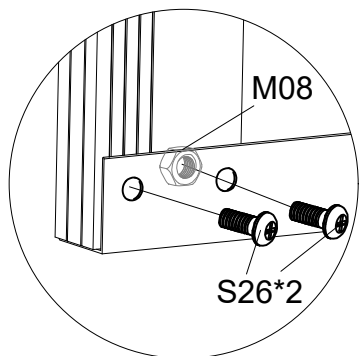
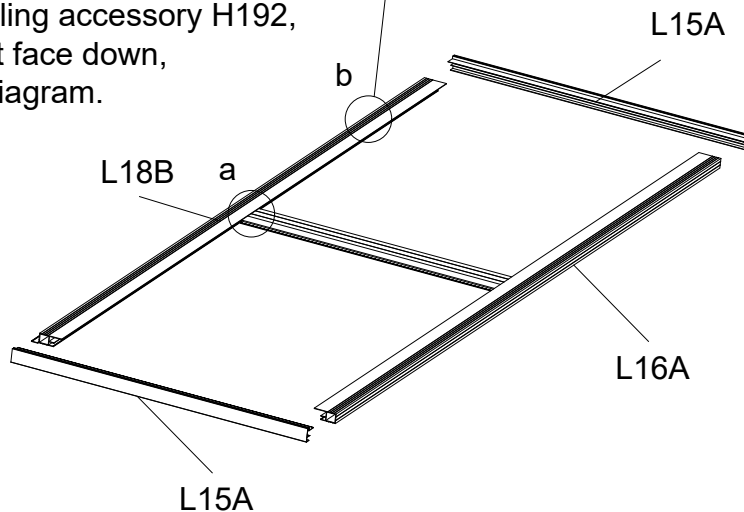
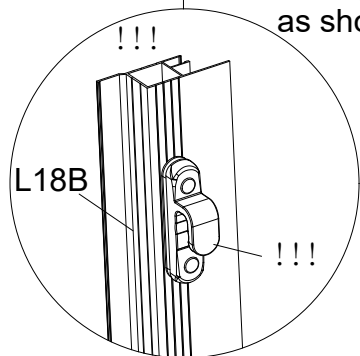
The inner side view of the door.



The outer side view of the door.

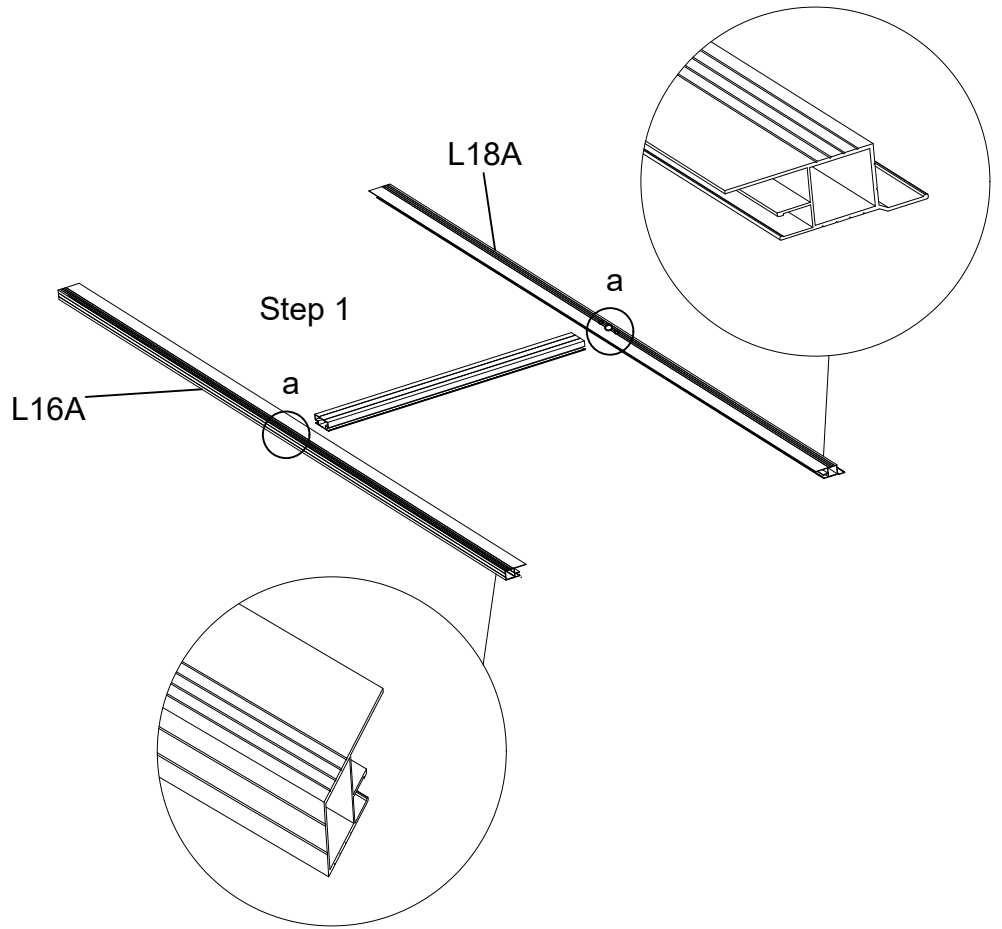


Note: When installing accessory H192, the opening must face down, as shown in the diagram.

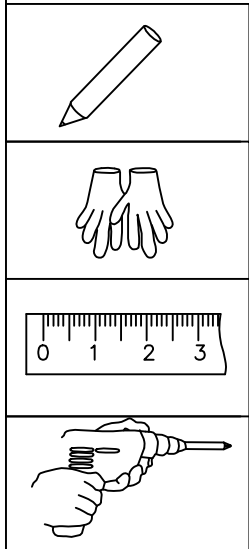
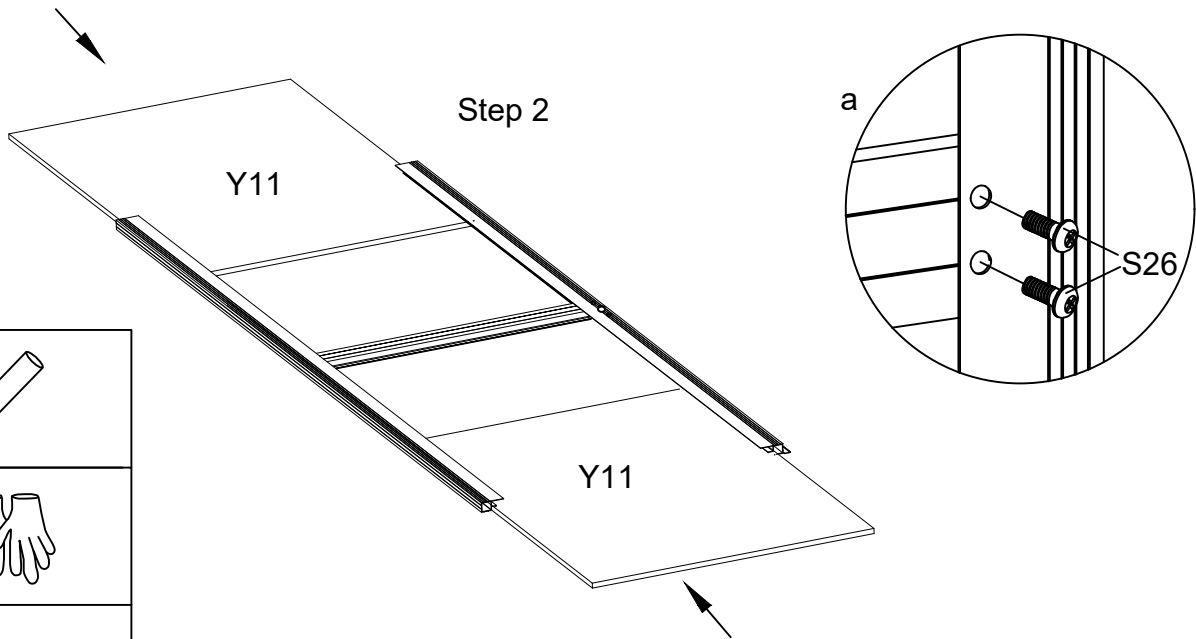


PART	NO	QTY
	L15A	2
	L16A	1
	L17	1
	L18A	1
	H152	1
	D47	1
	S26 M5X12	8
	S76 M4X32	2
	M08 M5	4
	Y11	2
	A89-2	1
	S89 M3X12	2

Right Door

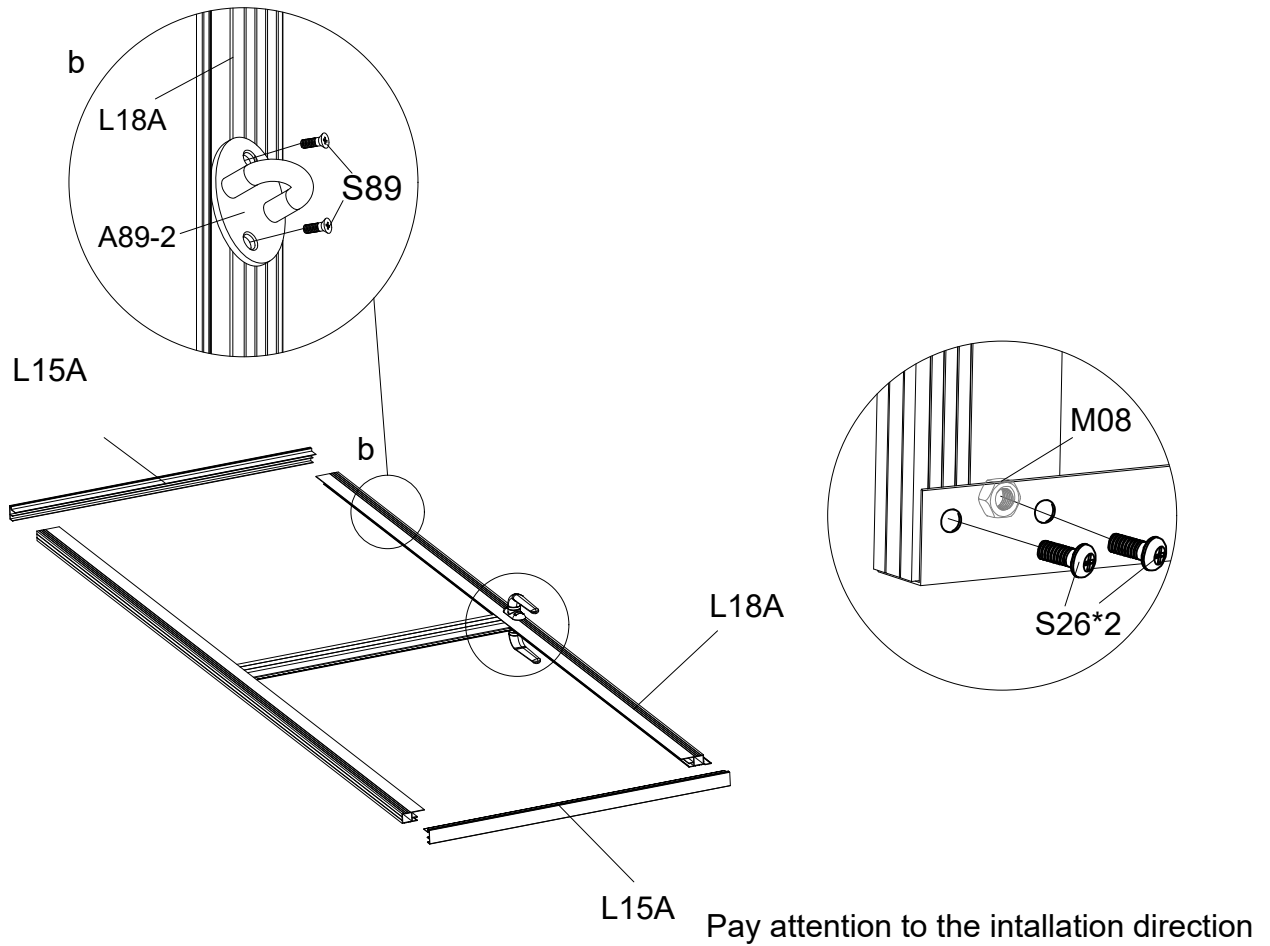


! Attention: Check the direction of the accessories

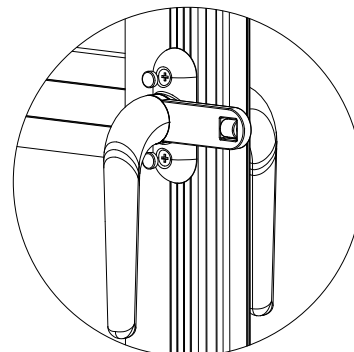
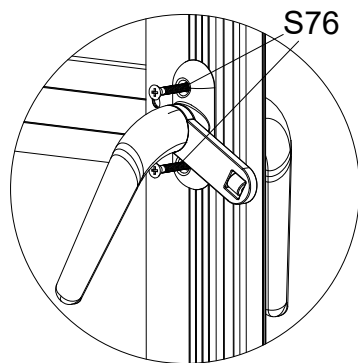
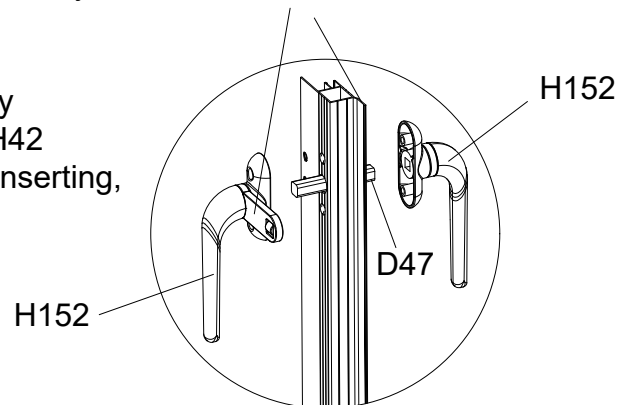


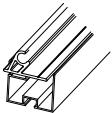
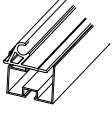
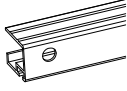

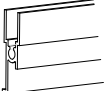





! Attention: Remove the protective films from both sides of each polycarbonate panel, before inserting into aluminum channels. Ensure the milky white film faces towards the Sun.

The outer side view of the door.

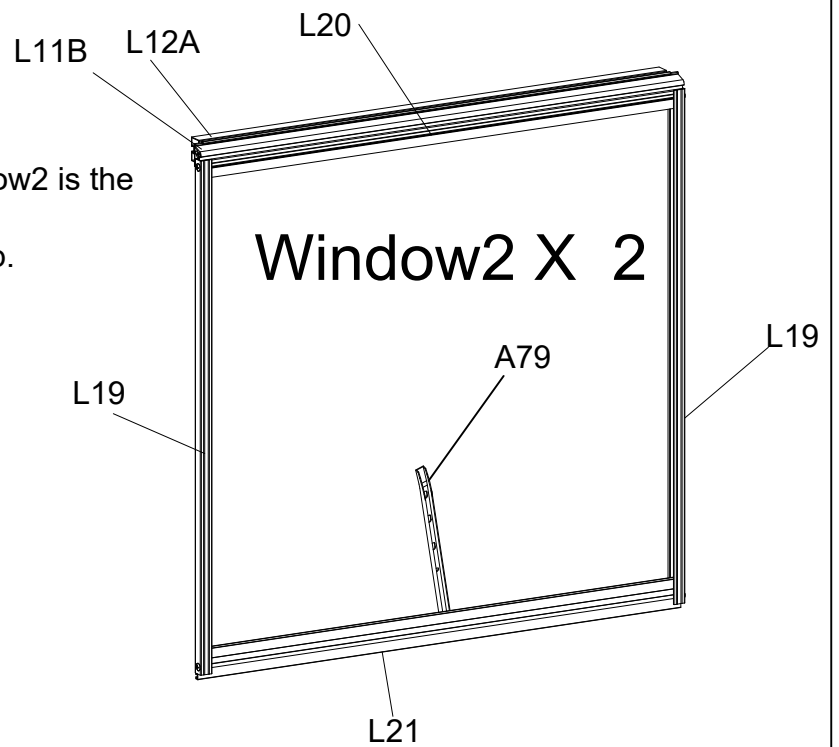
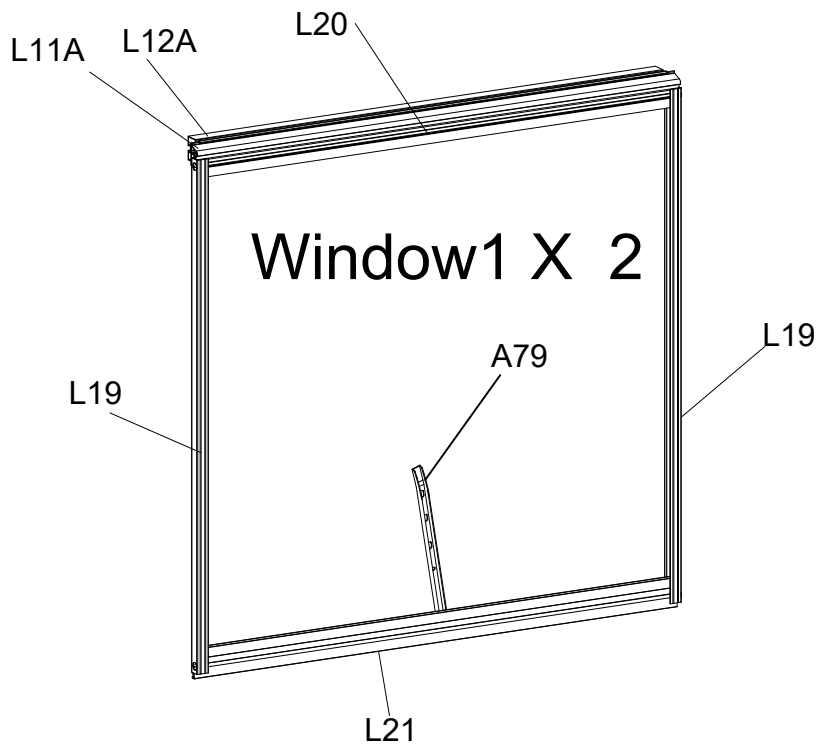


Install H152 after installing the door, when installing, pay attention to the H152 long end toward the door edge, H42 square hole aligned with the square column D47 while inserting, placed in the right position and then fixed with S76 , and finally installed on the decorative cover

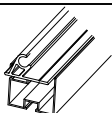
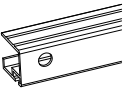







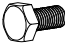

PART	NO.	QTY.
	L11A	2
	L12A	2
	L11B	2
	L12A	2
	L19	8
	L20	4
	L21	4
	Y10	4
	A79	4
	Z02	24
	Ø4X16D	
	S28	8
	M4X10	
	M02	8
	M4	

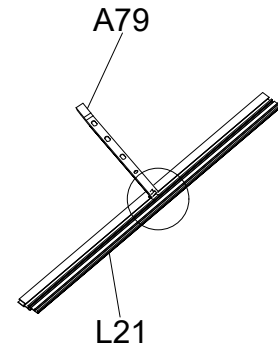
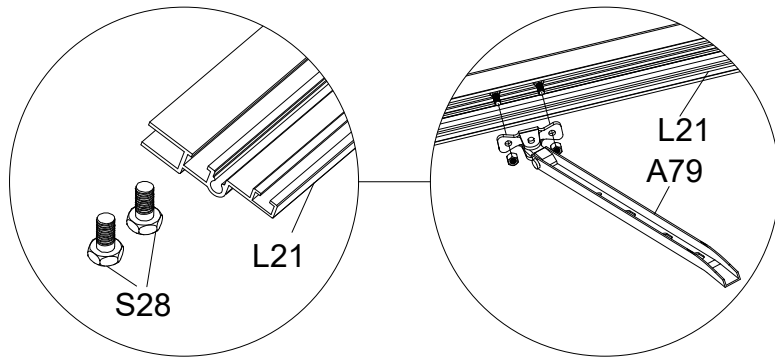
Exploded View



The difference between Window1 and Window2 is the installation position of L11, L11B is installed around the walls, L11A is installed on the top.

PART	NO.	QTY.
	L11A	1
	L12A	1
	L19	2
	L20	1
	L21	1

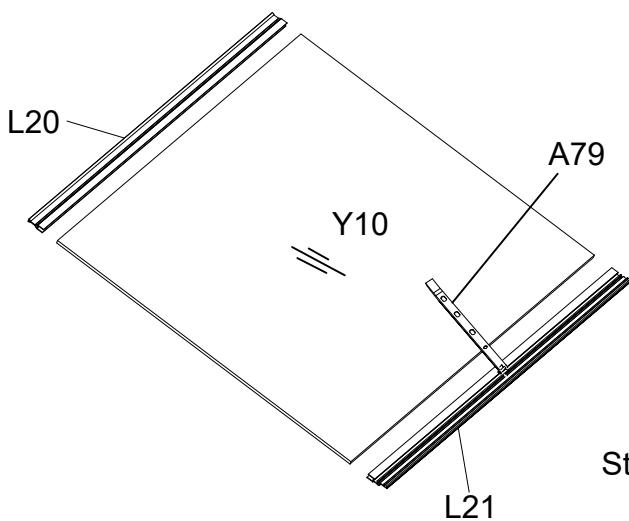
Part	NO.	QTY.
	Y10	1
	A79	1
	Z02	6
	Ø4X16D	
	S28	2
	M4X10	
	M02	2
	M4	



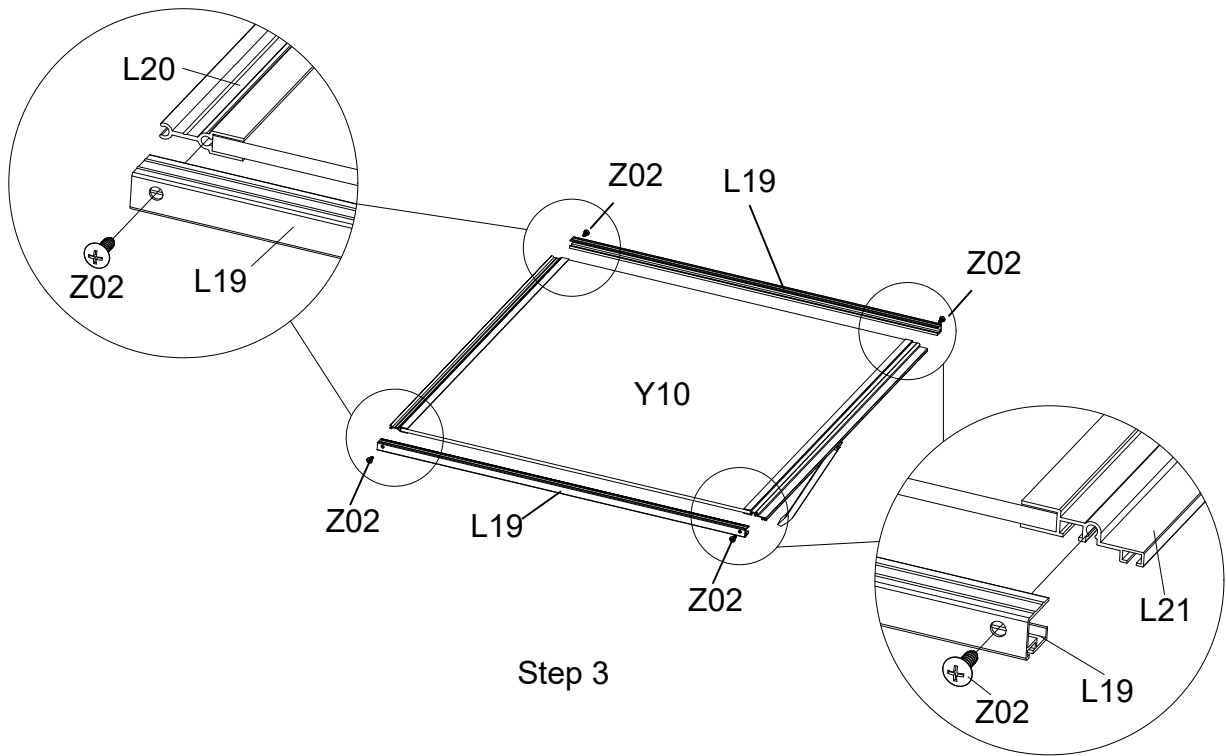
Step 1



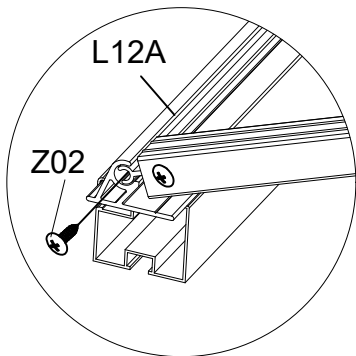
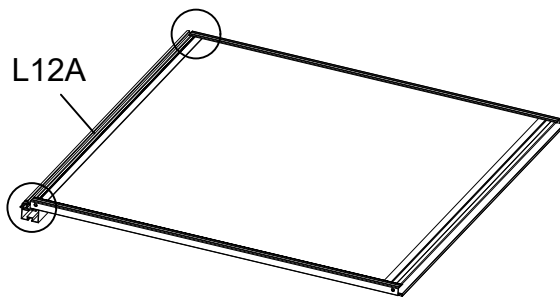
! Attention: Remove the protective films from both sides of each polycarbonate panel, before inserting into aluminum channels. Ensure the milky white film faces towards the Sun.




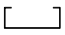
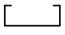

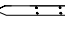


Step 2



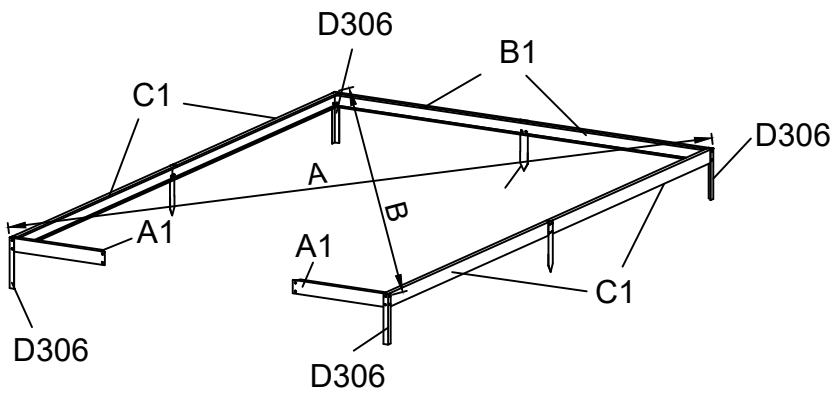
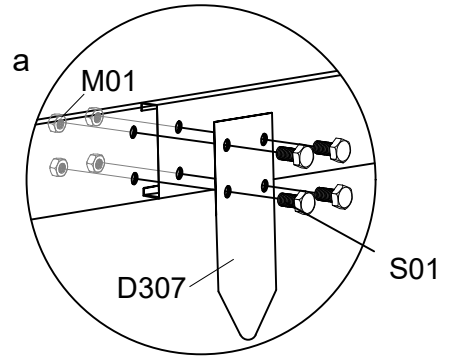
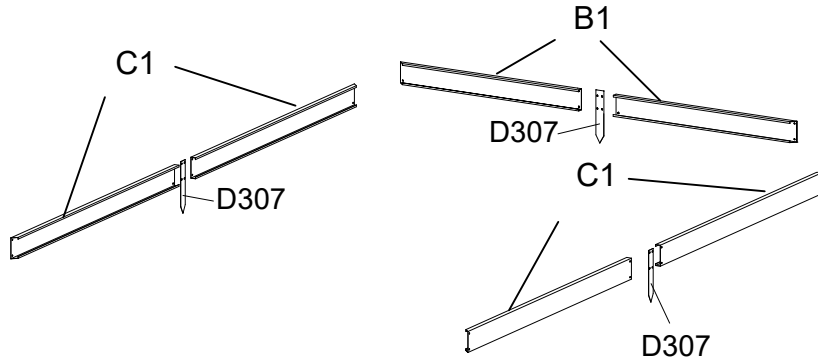
Step 3



Four windows are standard

PART	NO	QTY
	A1	2
	B1	2
	C1	4
	D306	4
	D307	3
	S01	28
	M6X12	
	M01	28
	M6	

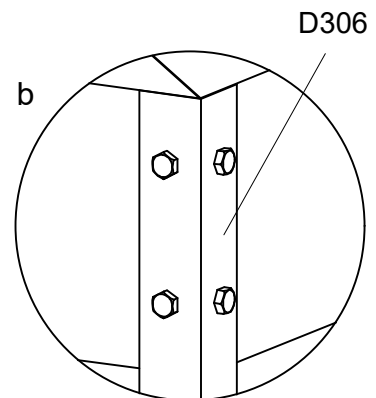
Base Assembly



Attention! D306 and D307 must be inserted into the soil or installed in reverse!

Ⓐ = Ⓑ

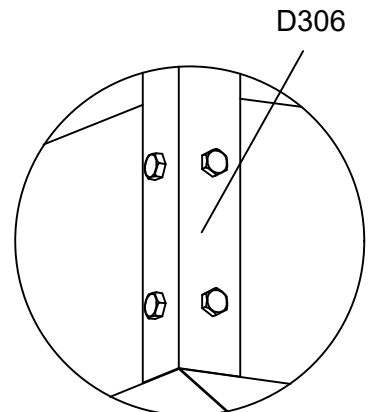
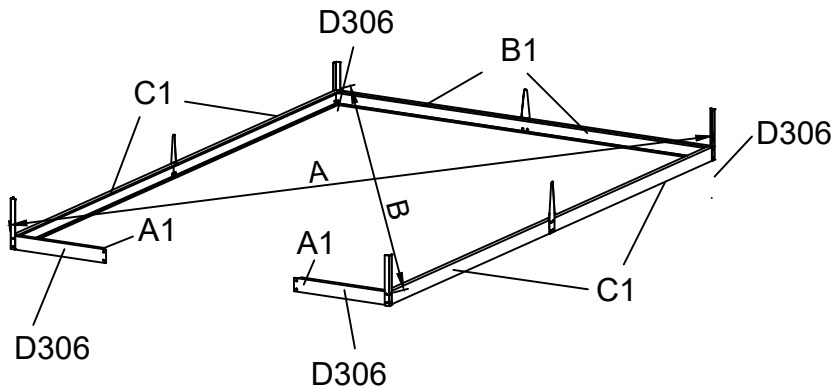
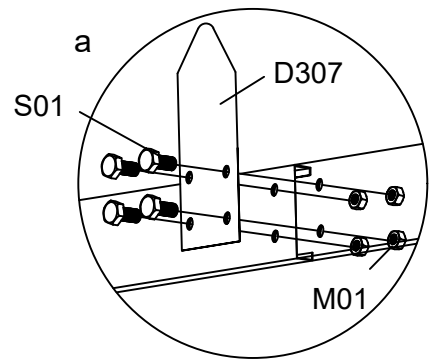
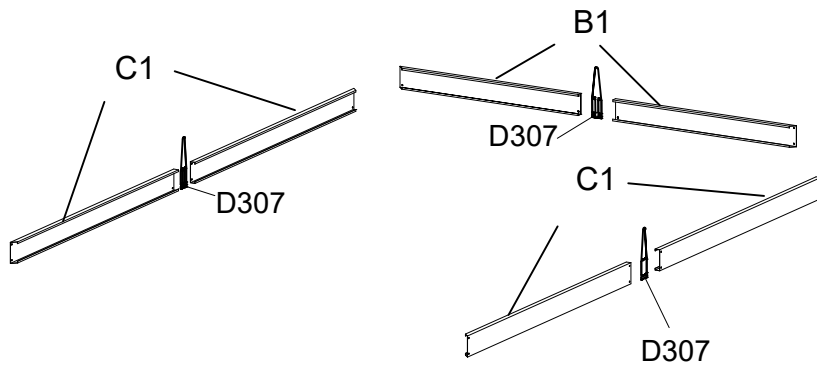
Fix the base before assembly the greenhouse. This is the way to fix the base.



Base Assembly


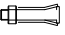


Note: If you are unable to insert D306 and D307 into the ground, please refer to the diagram below and install the ground insert in reverse.

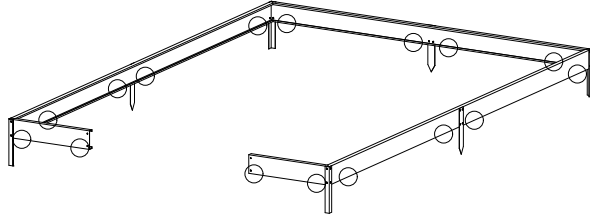


Ⓐ = Ⓑ

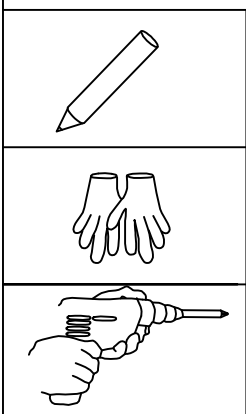
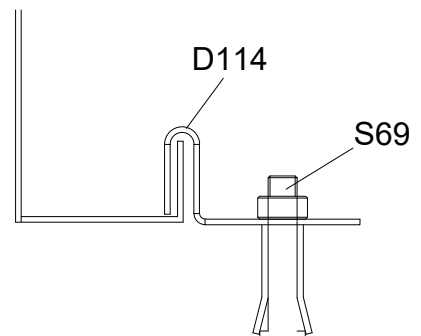
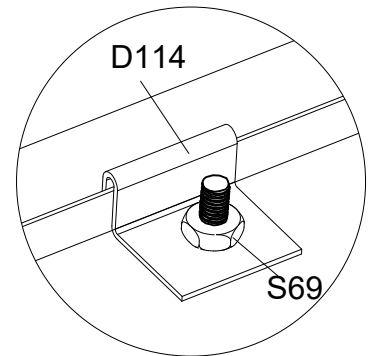
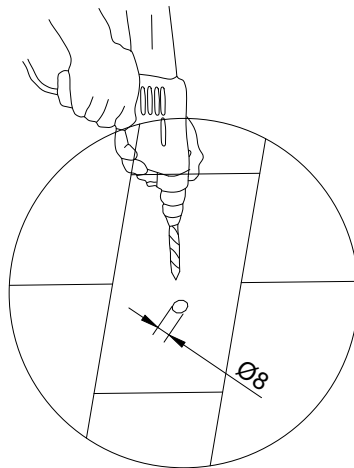
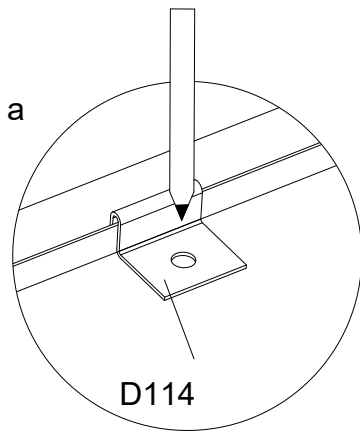
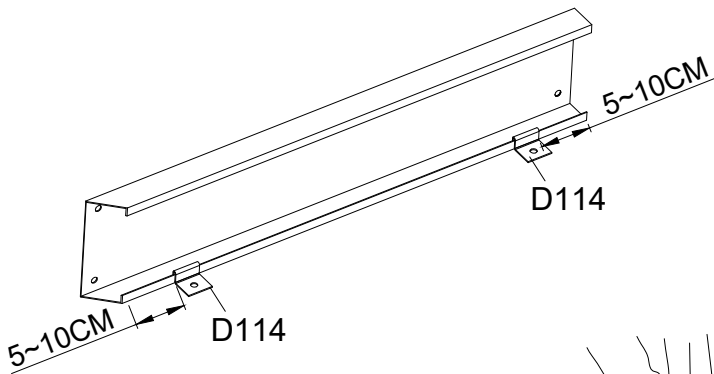
Fix the base before assembly the greenhouse. This is the way to fix the base.

PART	NO	QTY
	D114	16
	S69 M6X60	16

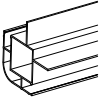
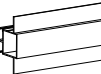

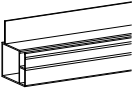


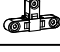




Base Assembly

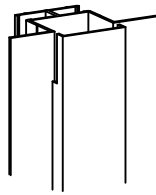
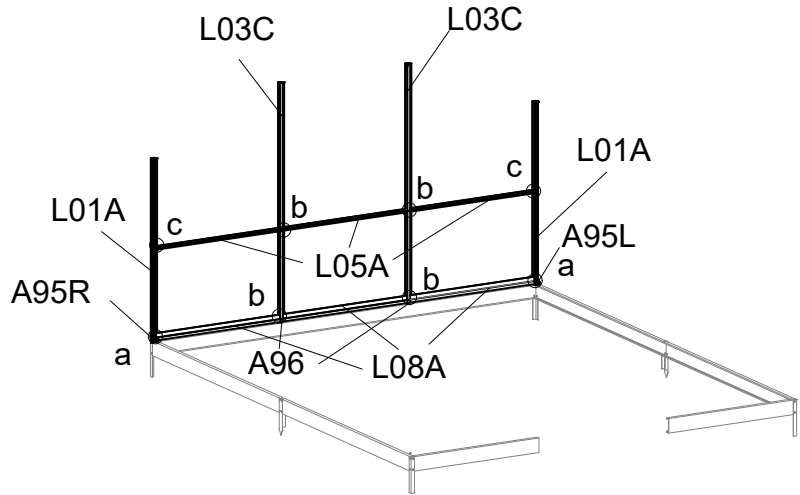


1. Fix the base anchor clip D114 onto each base section with a distance of 5~10CM from each end.
2. Mark the middle of the D114 hole to drill the $\text{Ø}8$ hole, then use S69 to fix the D144 to the ground

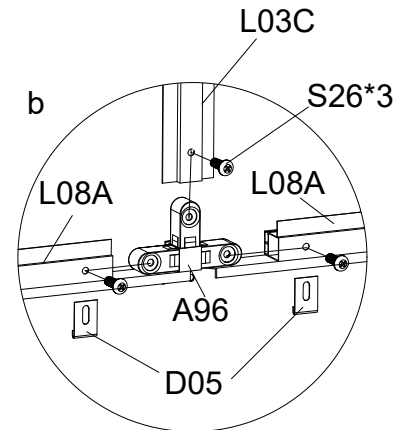
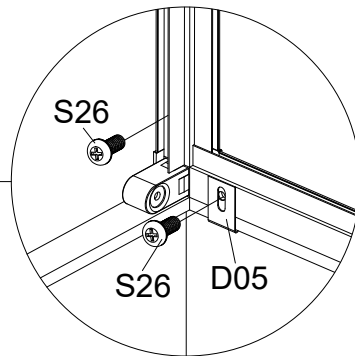
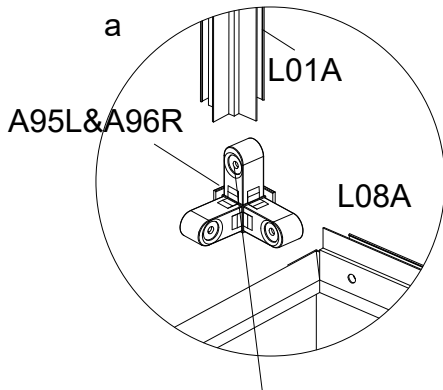


Wall Assembly

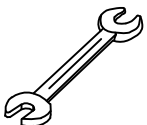
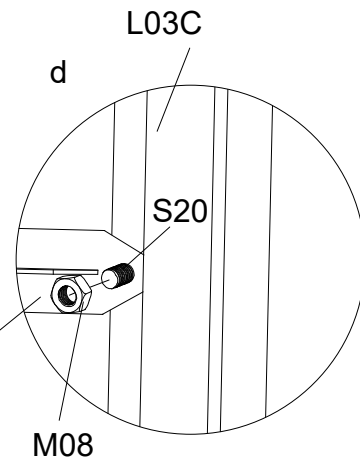
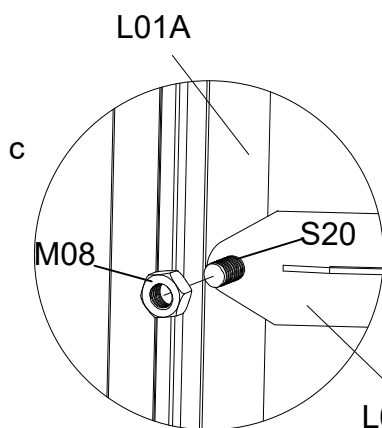
PART	NO	QTY
	L01A	2
	L03C	2
	L05A	3
	L08A	3
	A95L J168L	1
	A95R J168R	1
	A96 J169	2
	D05	9
	S20 M5X10	6
	M08 M5	6
	S26 M6X12	13




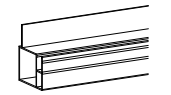
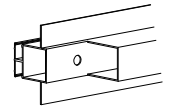


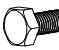


Attention! The end face of L03C with a notch facing upwards

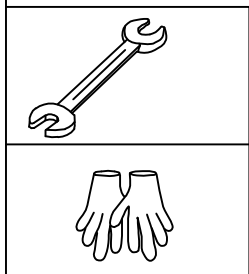
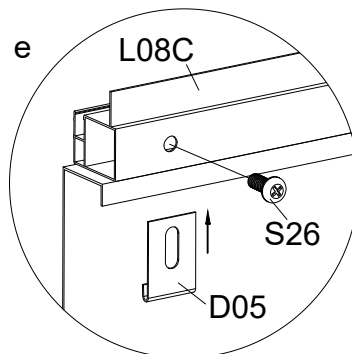
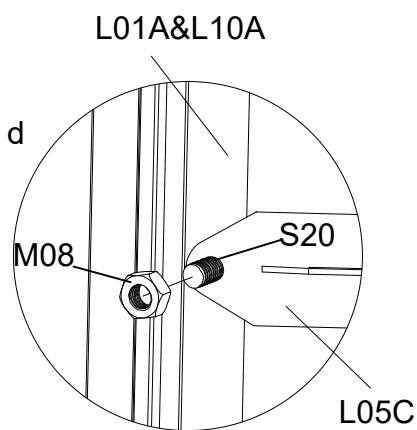
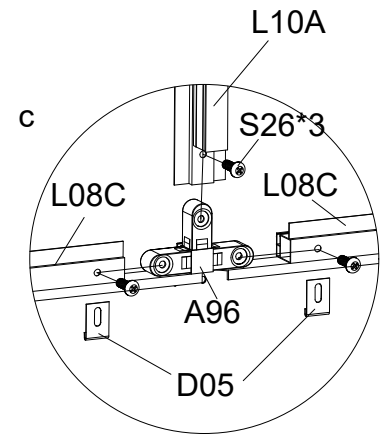
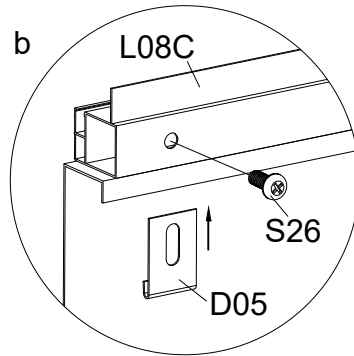
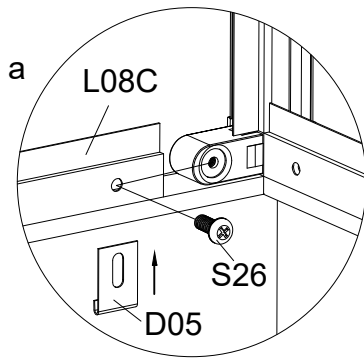
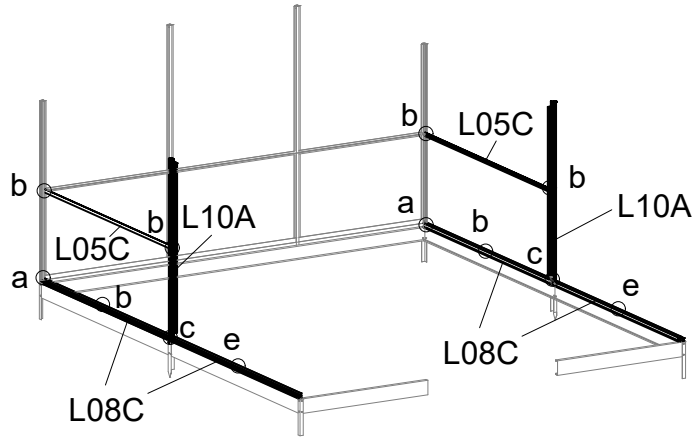


Attention! The hole above A95L&A95R faces towards L08C direction

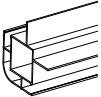
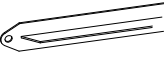
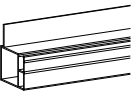
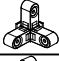
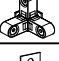

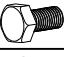




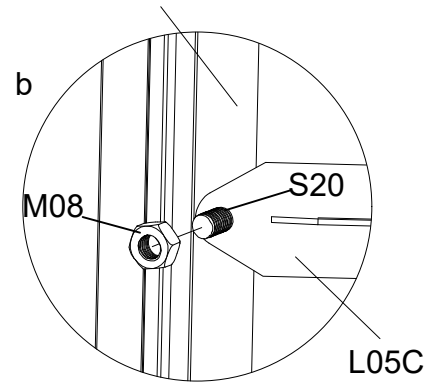
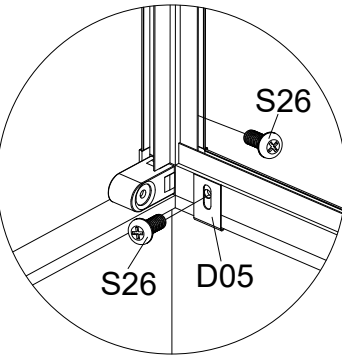
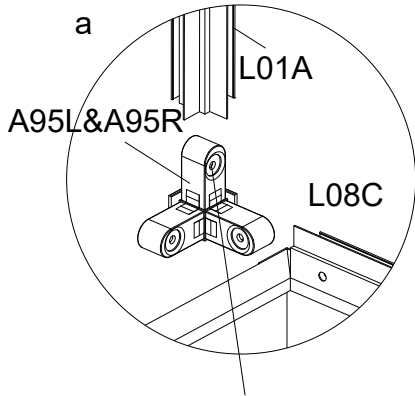
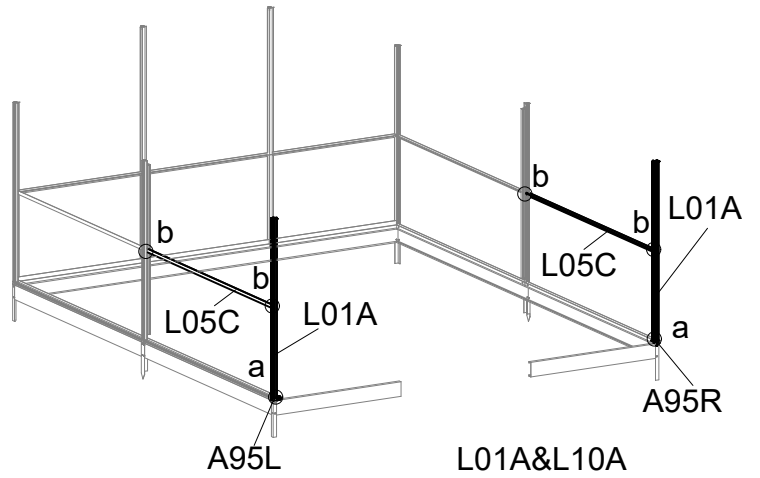
Wall Assembly

PART	NO	QTY
	L05C	2
	L08C	4
	L10A	2
	A96 J169	2
	D05	10
	S20 M5X10	4
	M08 M5	4
	S26 M6X12	12

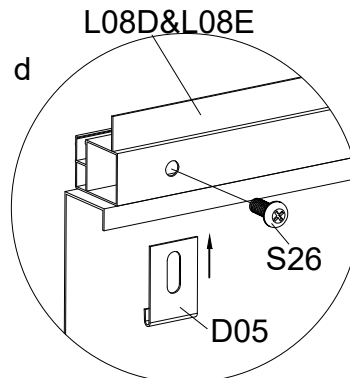
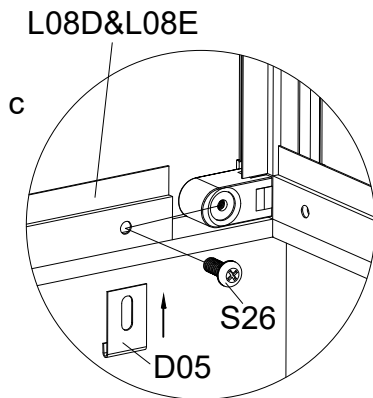
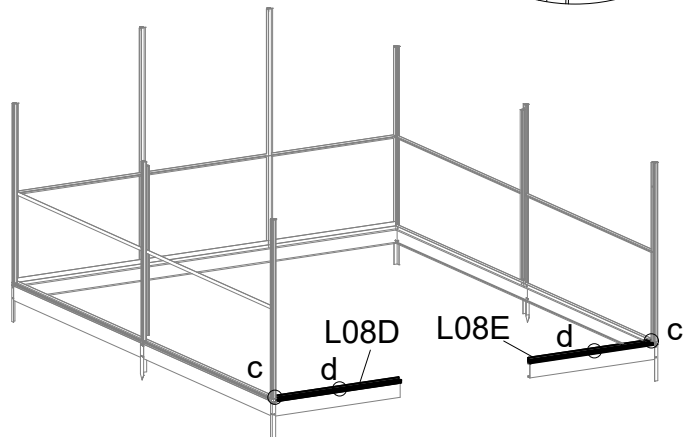


Wall Assembly

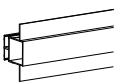

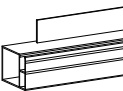
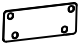
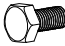




PART	NO	QTY
	L01A	2
	L05C	2
	L08D	1
	L08E	1
	A95L	1
	J168L	
	A95R	1
	J168R	
	D05	6
	S20	4
	M5X10	
	M08	4
	M5	
	S26 M6X12	8

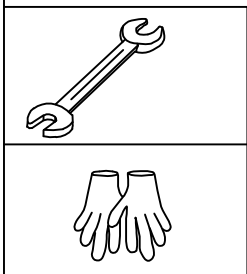
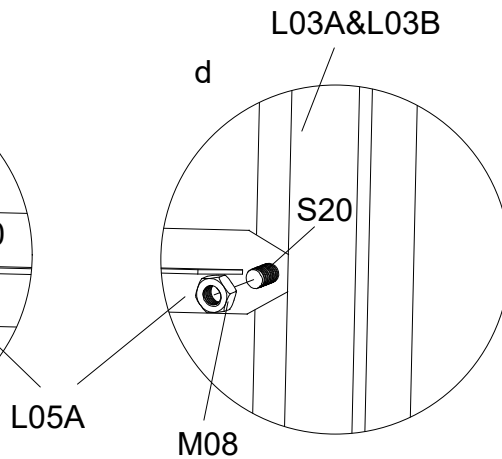
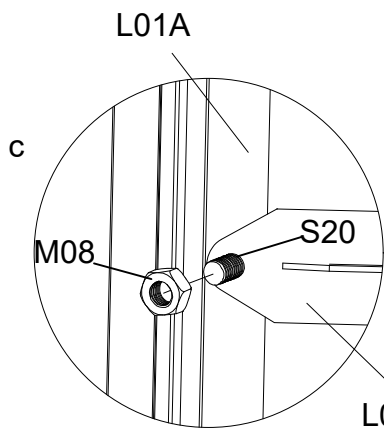
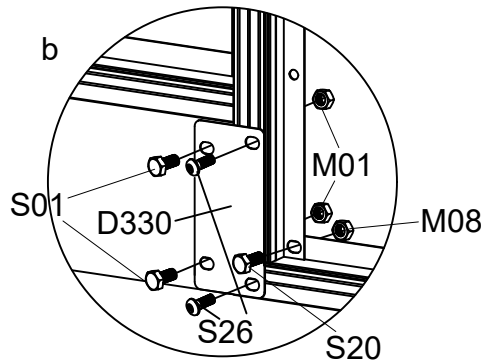
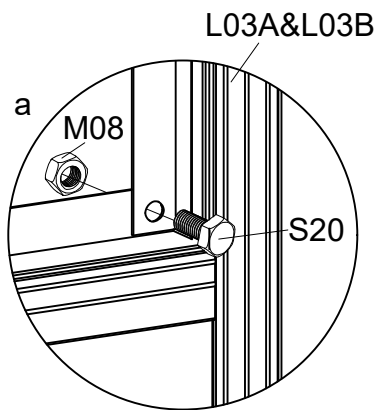
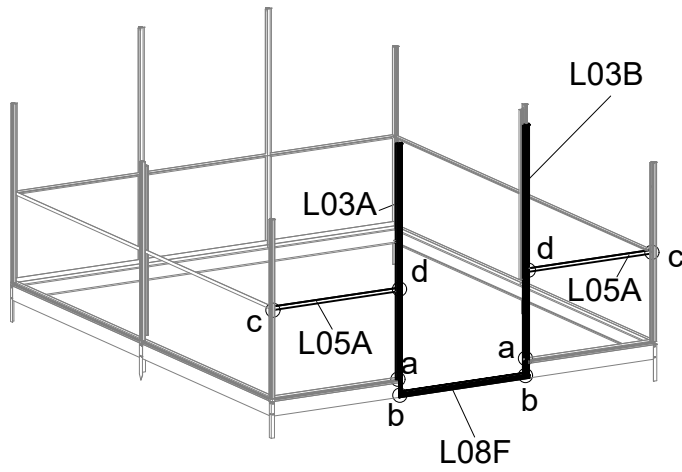


Attention! The hole above A95L&A95R faces towards L08C direction

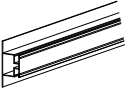
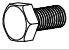




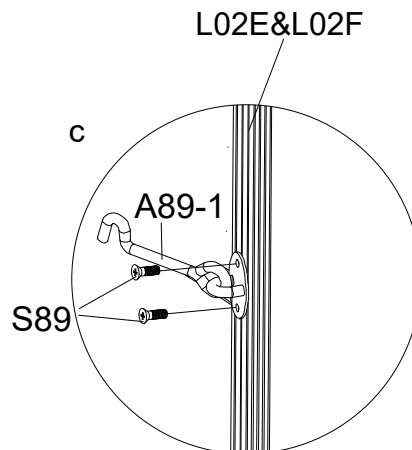
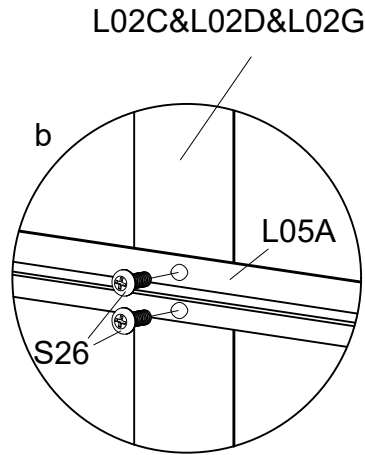
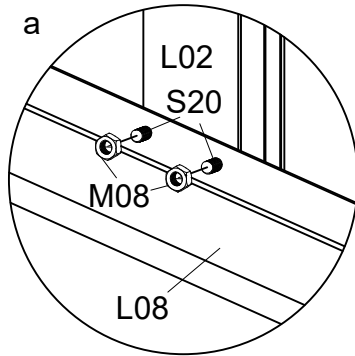
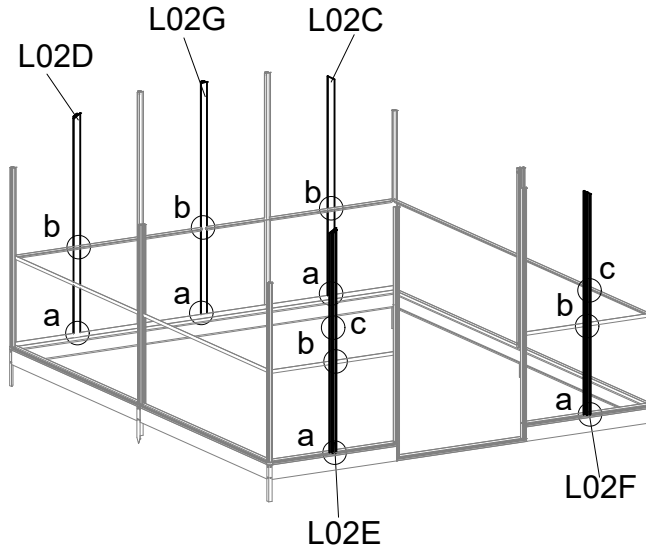
Wall Assembly

PART	NO	QTY
	L03A	1
	L03B	1
	L05A	2
	L08F	1
	D330	2
	S20 M5X10	8
	M08 M5	8
	S26 M5X12	4
	S01 M6X12	4
	M01 M6	4

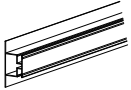





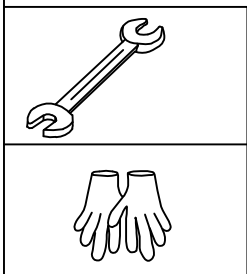
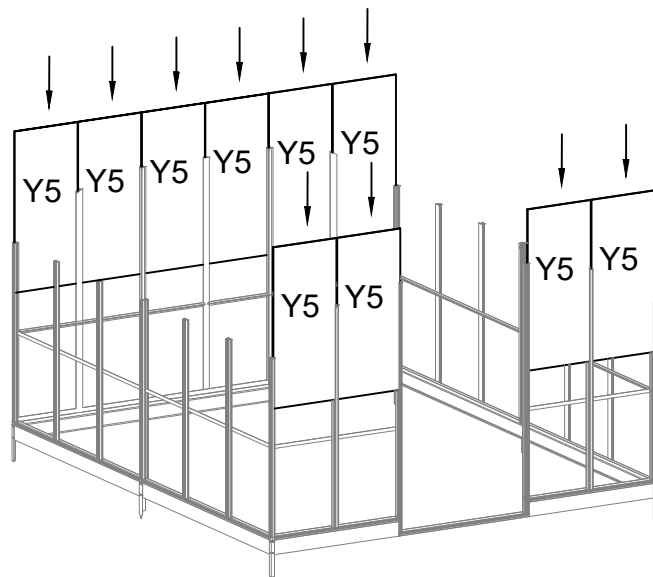
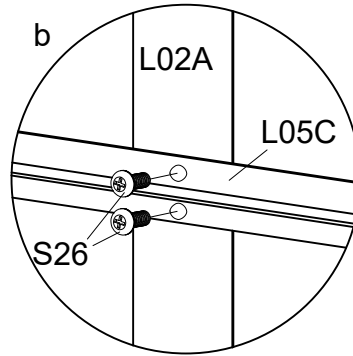
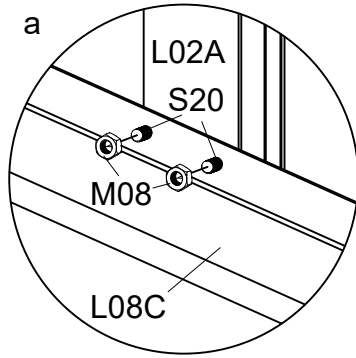
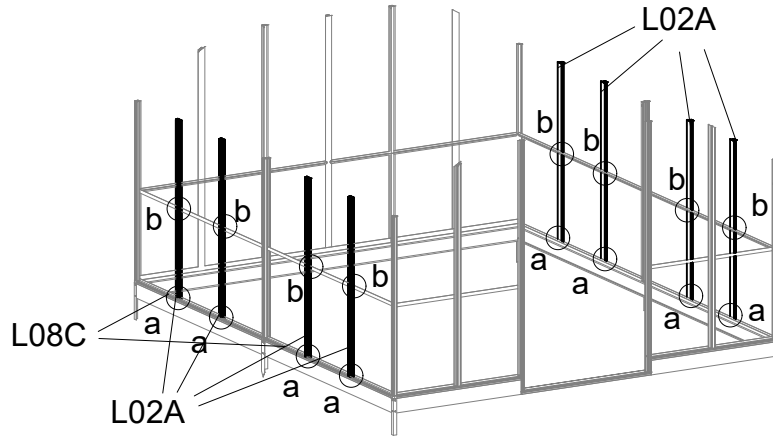
Wall Assembly

PART	NO	QTY
	L02C	1
	L02D	1
	L02E	1
	L02F	1
	L02G	1
	S20 M5X10	10
	M08 M5	10
	S26 M5X12	10
	A89-1	2
	S89 M3X12	4



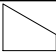







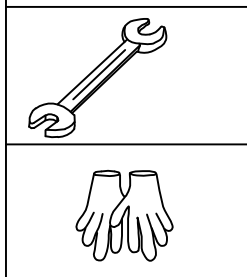
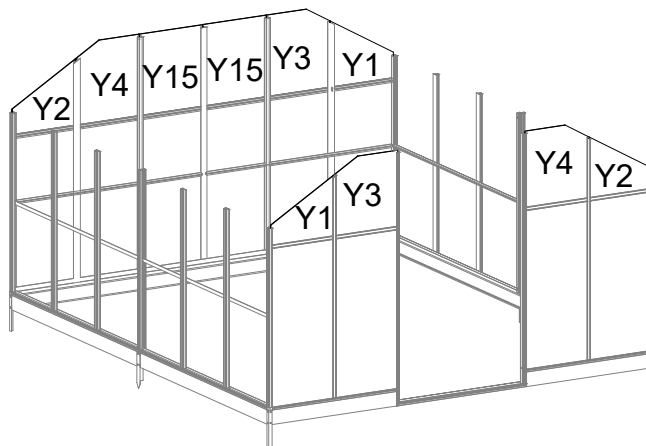
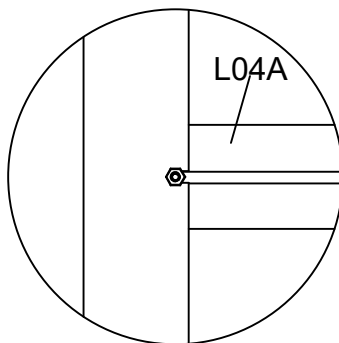
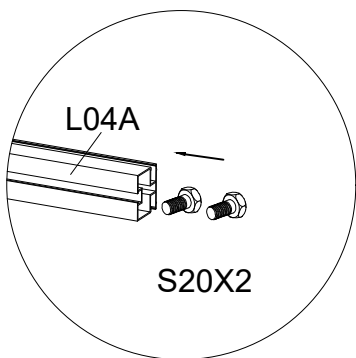
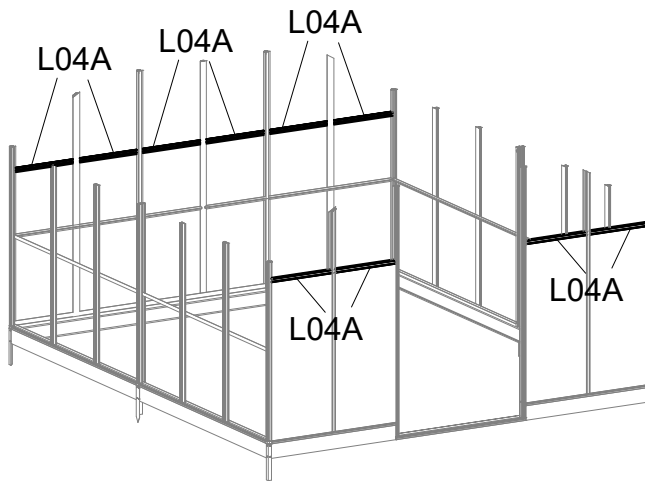
Wall Assembly

PART	NO	QTY
	L02A	8
	S20 M5X10	16
	M08 M5	16
	S26 M5X12	16

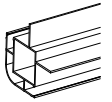
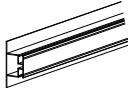
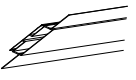





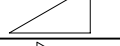
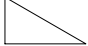


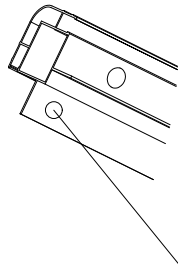
Wall Assembly

PART	NO	QTY
	L04A	10
	Y1	2
	Y2	2
	Y3	2
	Y4	2
	Y15	2
	S20 M5X10	20
	M08 M5	20

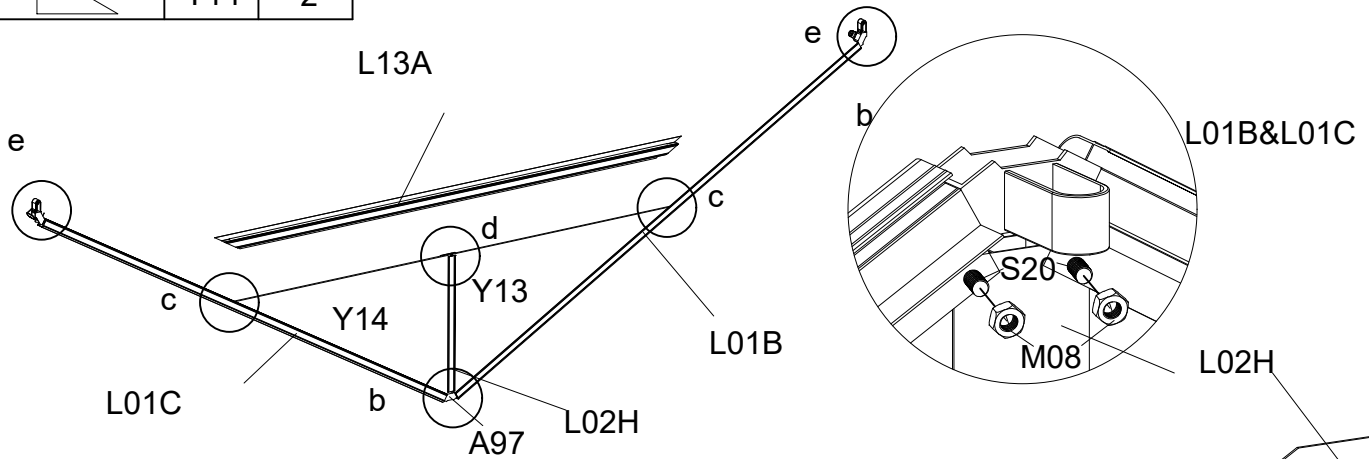
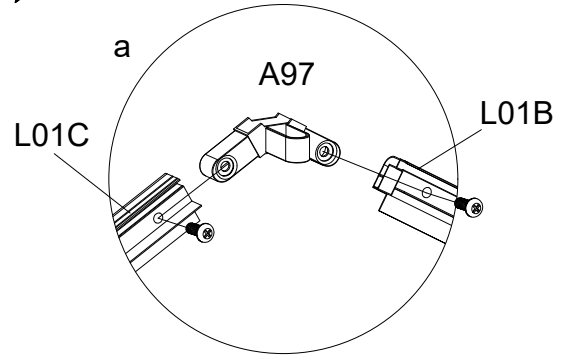
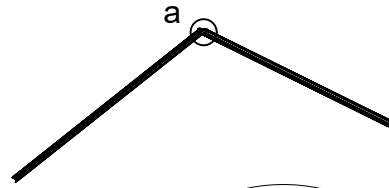


Wall Assembly

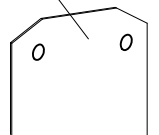
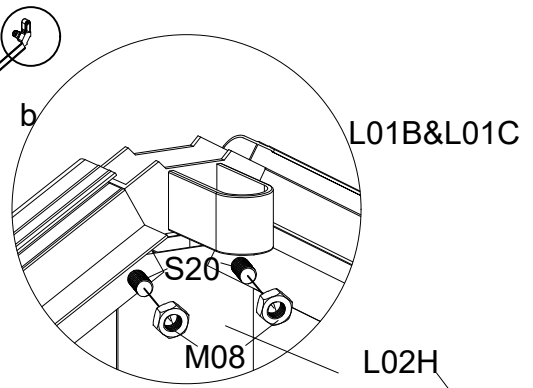
PART	NO	QTY
	L01B	2
	L01C	2
	L02H	2
	L13A	2
	S26 M5X12	20
	A97 J170	6
	S20 M5X10	12
	M08 M5	12
	D341	4
	Y13	2
	Y14	2



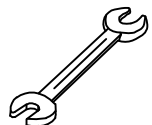
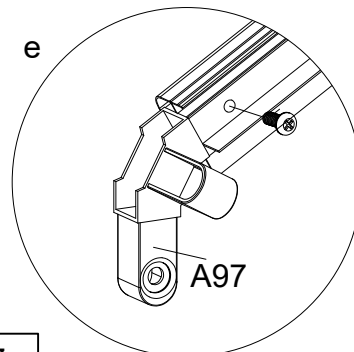
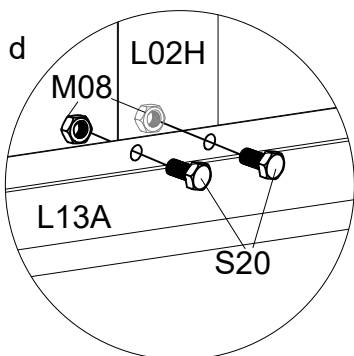
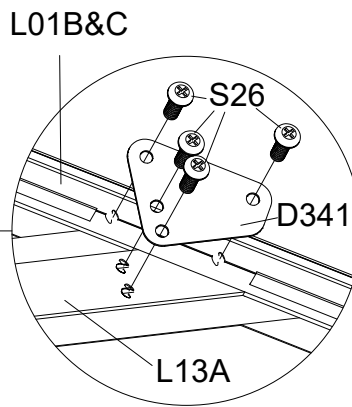
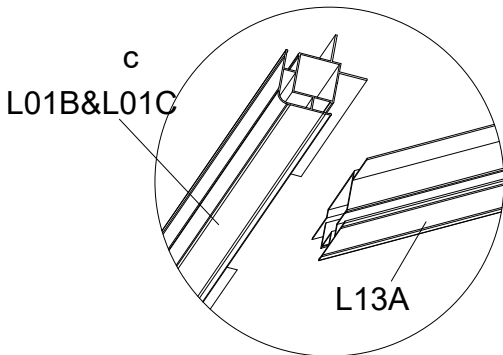
Attention! Close to the end face of L01B and L01C with a single hole, facing upwards



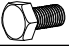


Attention! When installing L13A, it will be easier to install it upside down

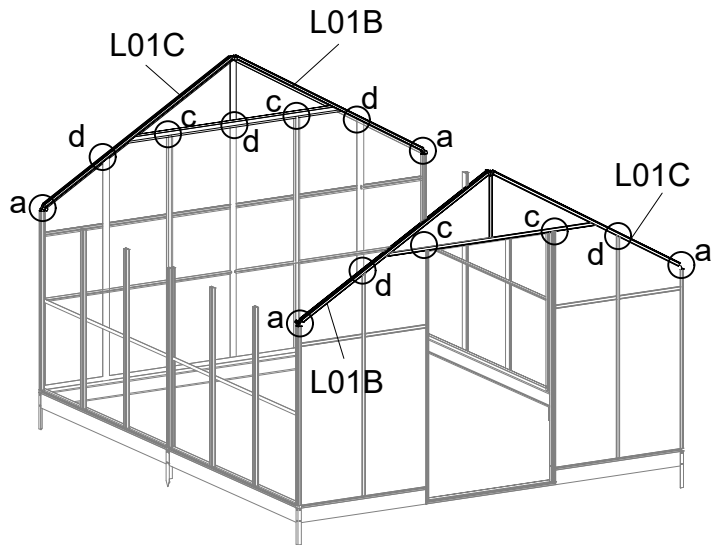


Attention! The end of L02H with chamfered upwards

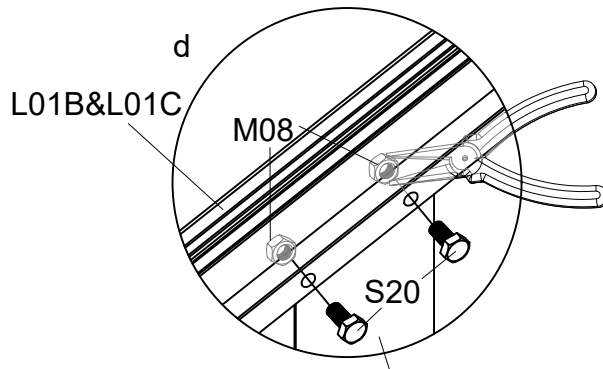
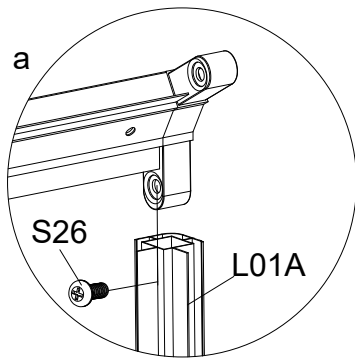


Wall Assembly

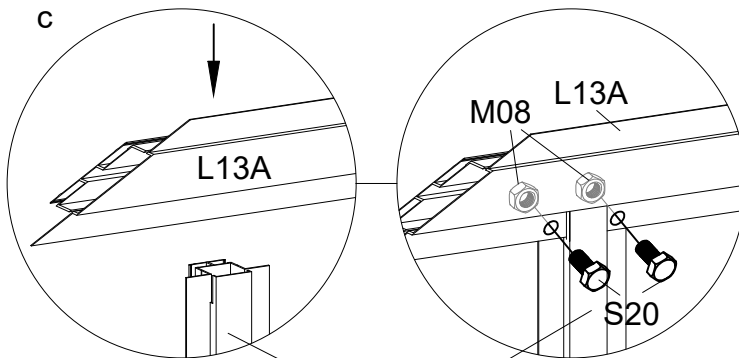
PART	NO	QTY
	S20	18
	M5X10	
	M08	18
	M5	
	S26	4
	M5X12	



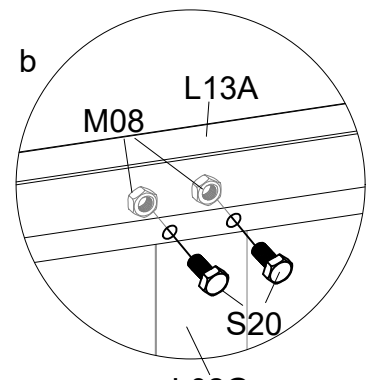
If the nut is difficult to install, use pliers to assist in installation



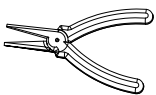
L02C&L02D&L02E&L02F



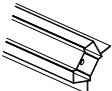


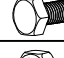
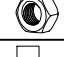
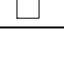




L03A&L03B&L03C



L02G

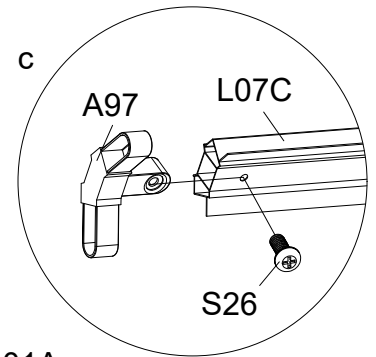
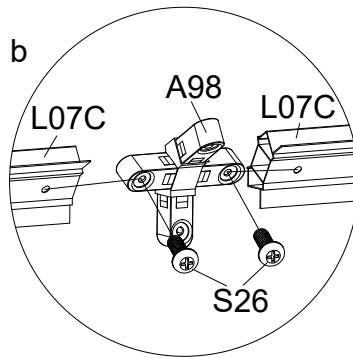
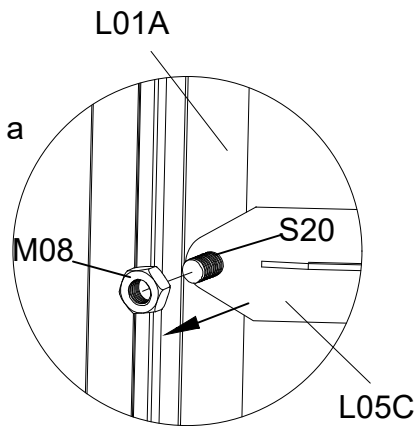
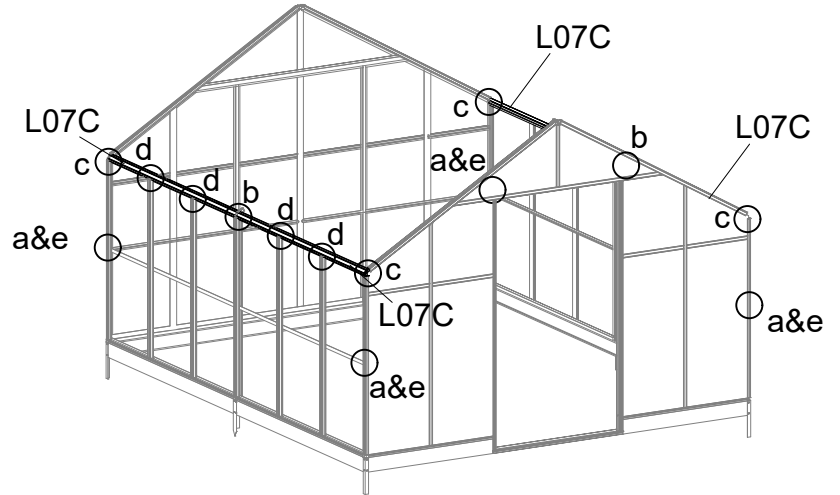


First, insert the surface below of L13A into the gap of L03A&L03B&L03C, and then fix it with S20&M08

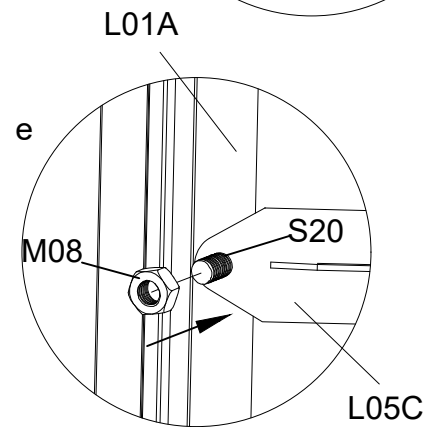
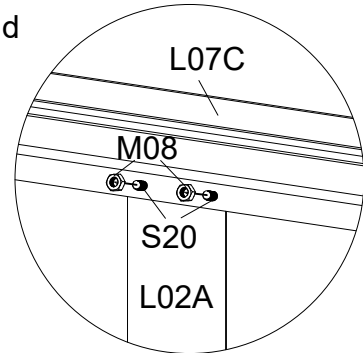
PART	NO	QTY
	L07C	4
	A98	2
	J171	
	S26	8
	M5X12	
	S20	16
	M5X10	
	M08	16
	M5	
	Y6	10

Put the panels into positions

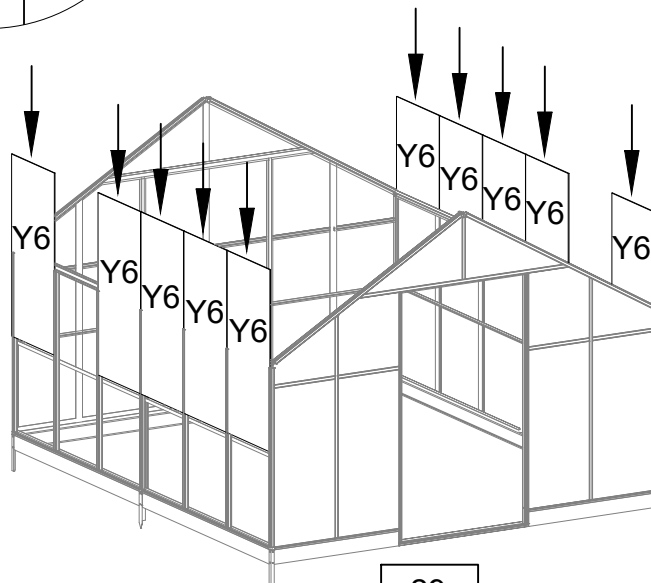
Wall Assembly







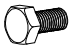
Loosen the screws at the four corners of L01A and L05C before installing L07C

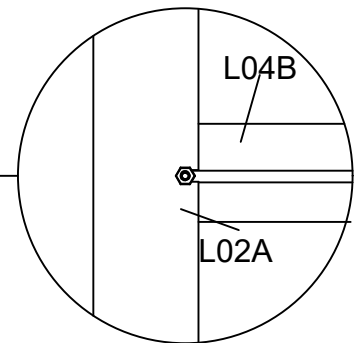
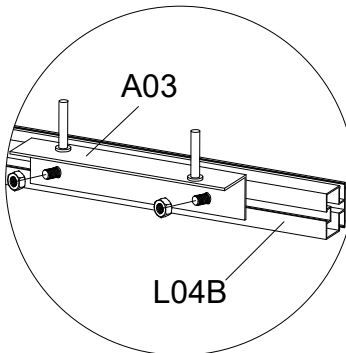
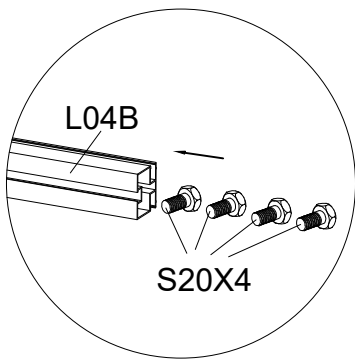
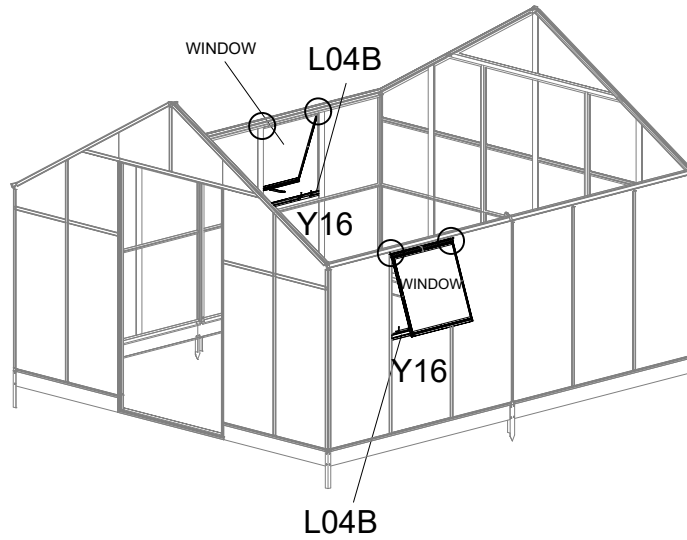


After installing L07C, fix L01A and L05C again

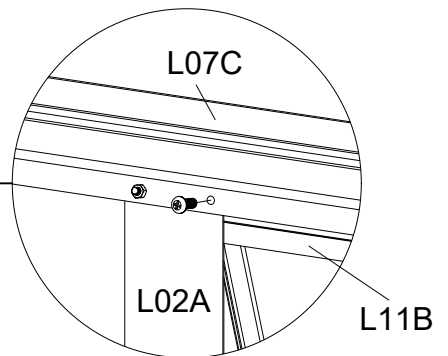
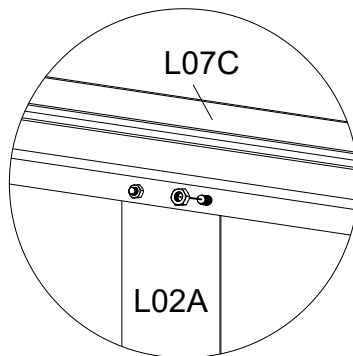
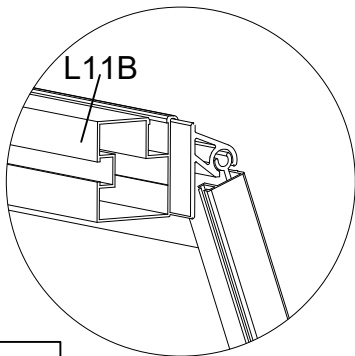


Wall Assembly

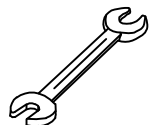
PART	NO	QTY
	L04B	2
	A03	2
	WINDOW2	2
	Y16	2
	S20 M5X10	12
	M08 M5	12



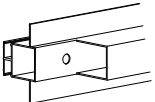



When installing L04B, the window needs to be lifted up to avoid the window not opening after the installation is complete

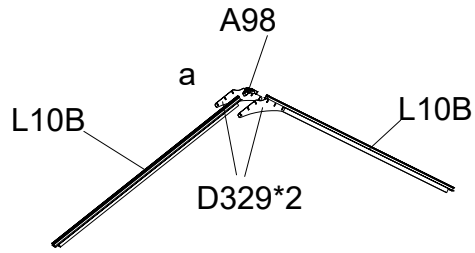


If the screws for the window installation position have already been installed first it needs to be removed first and replaced with S26

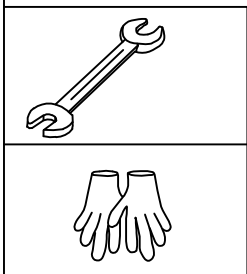
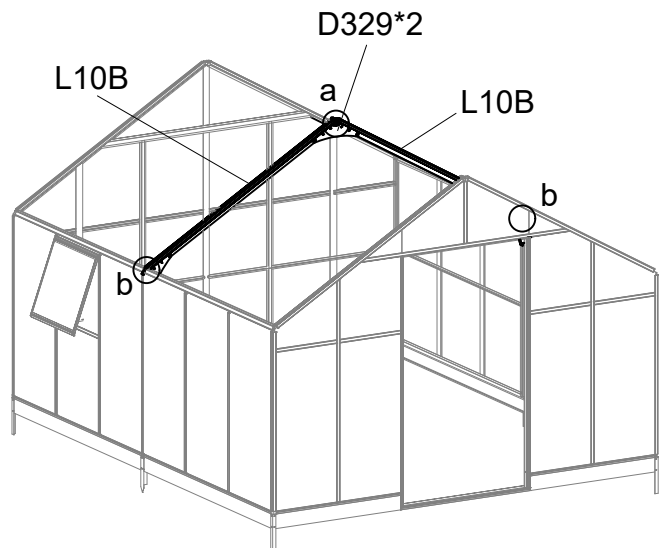
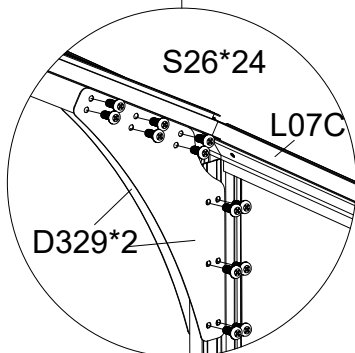
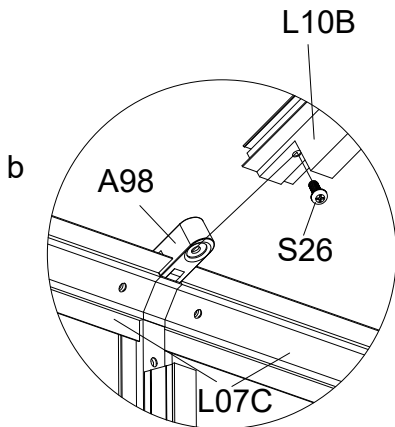
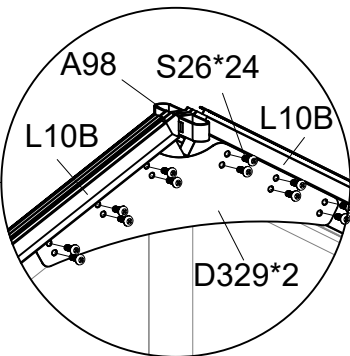
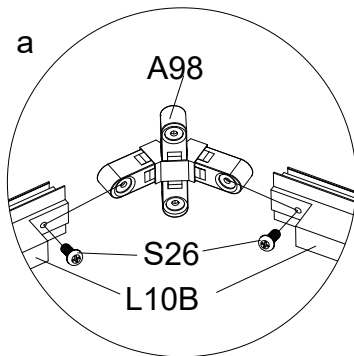


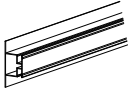
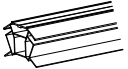
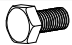


Top Assembly

PART	NO	QTY
	L10B	2
	A98 J171	1
	D329	6
	S26 M5X12	72

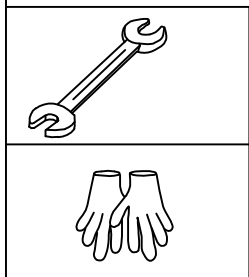
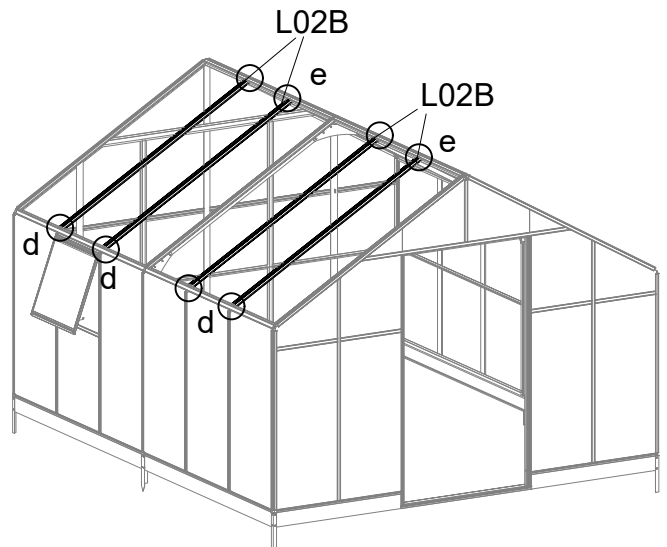
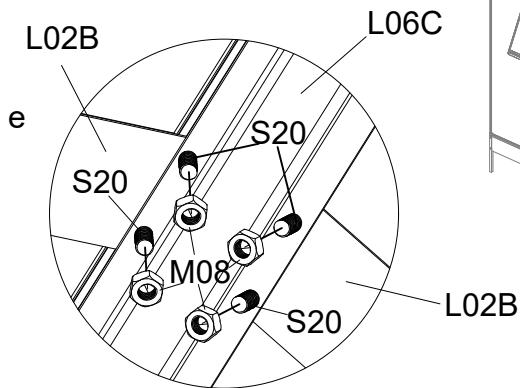
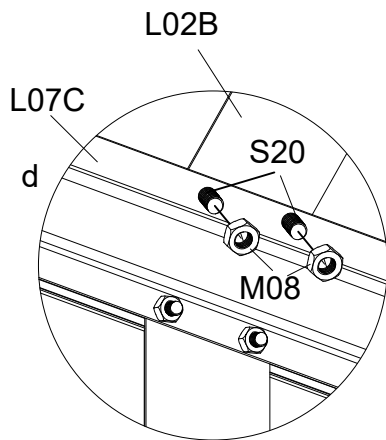
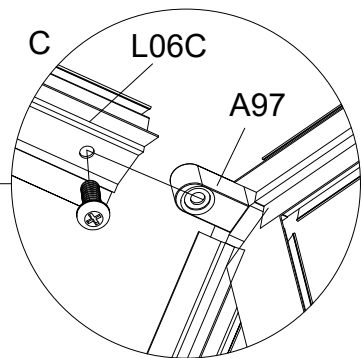
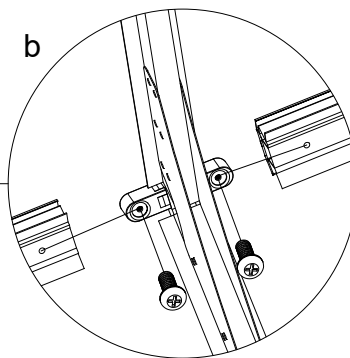
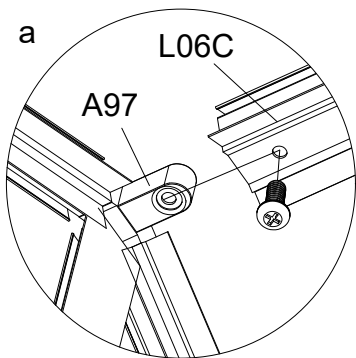
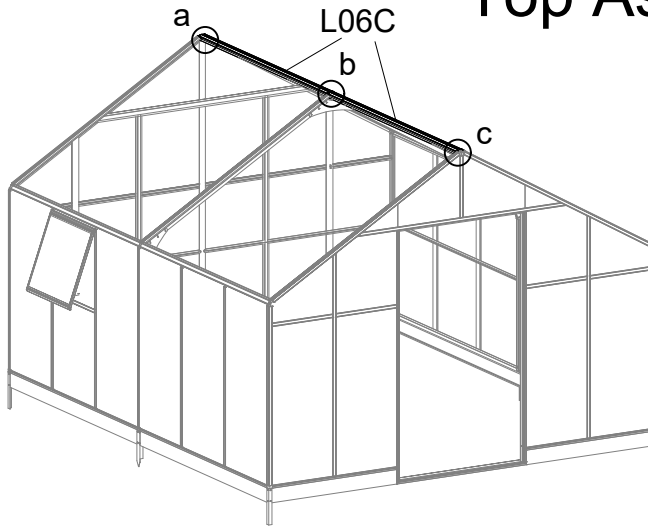


First, connect the two L10Bs with A98, and then fix the two L10Bs with D329 and S26 (installed on the ground first)



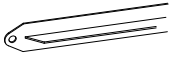

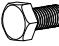

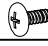

PART	NO	QTY
	L02B	8
	L06C	2
	S20 M5X10	32
	M08 M5	32
	S26 M5X12	4

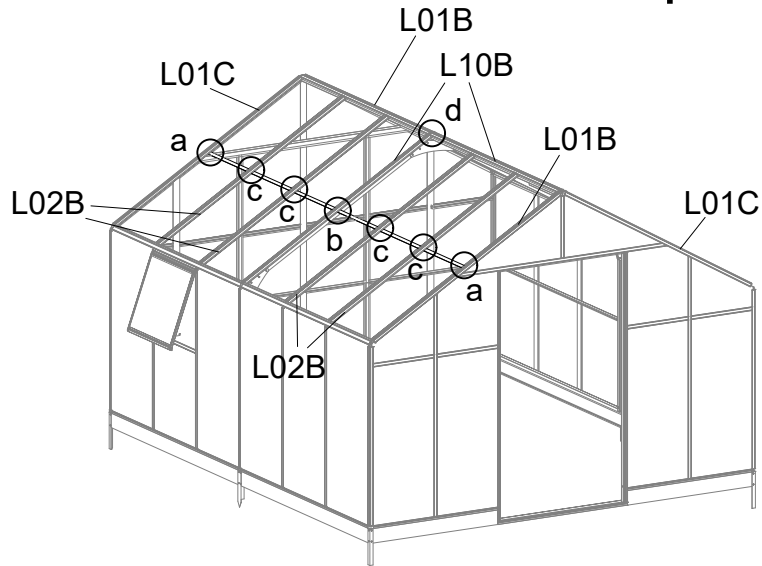
Top Assembly



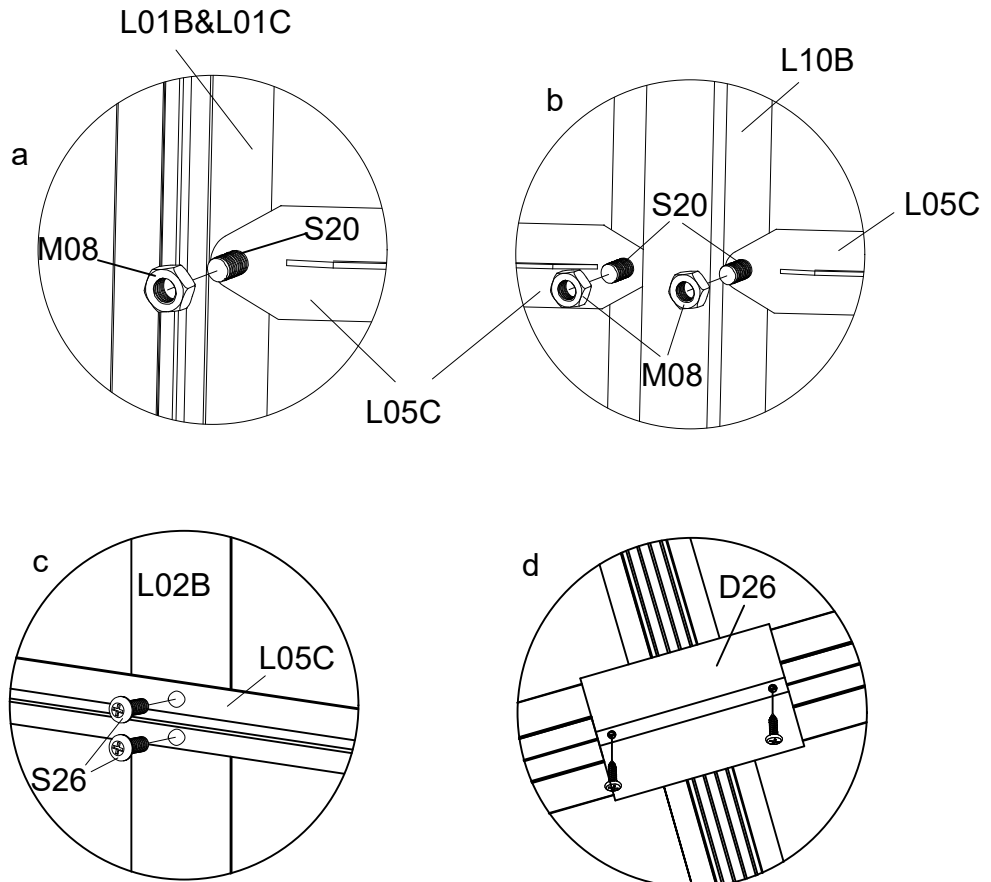
Fix glazing bars L02B (8pcs)
to the eaves and the ridge
profiles with S20 & M08

Top Assembly

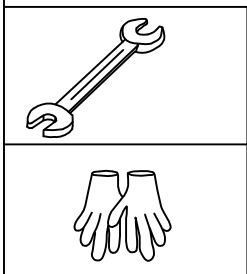
PART	NO	QTY
	L05C	4
	D26	1
	S20 M5X10	8
	M08 M5	8
	Z08 M4.2X16	2
	S26 M5X12	16




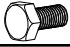


L05C with the extra reinforced edge in the middle should face inside.

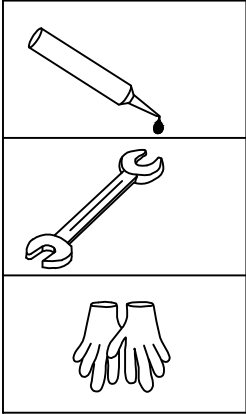
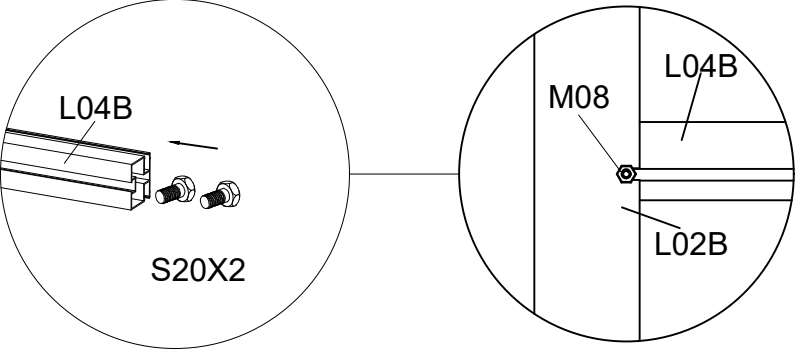
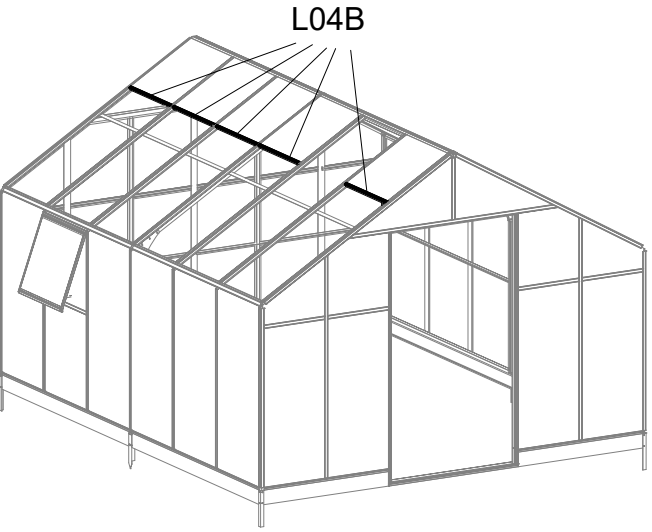
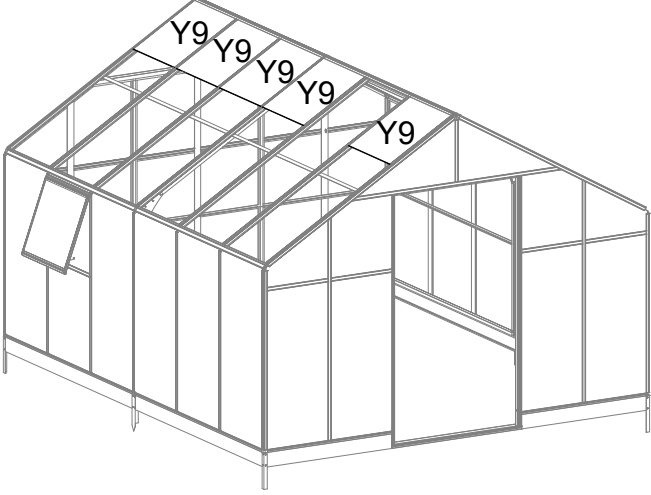


Fix D26 to L06C from outside with self-tapping screws Z08, using a powered screwdriver.


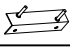






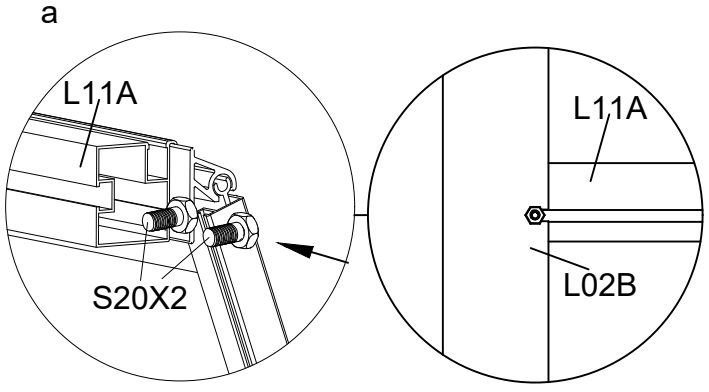
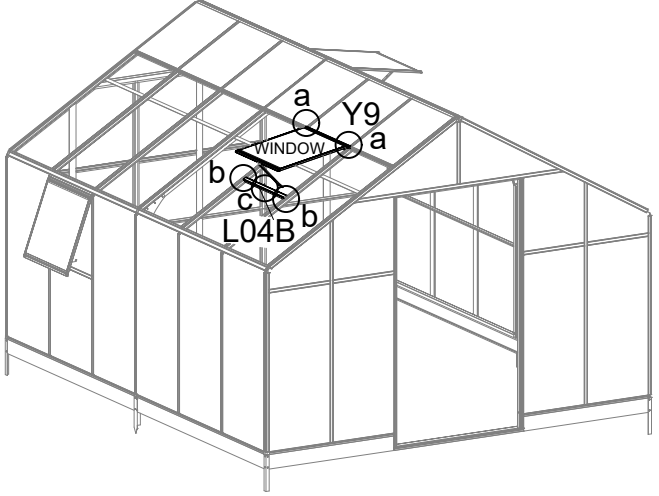
Top Assembly

PART	NO	QTY
	L04B	10
	S20	20
	M5X10	
	M08	20
	M5	
	Y9	10

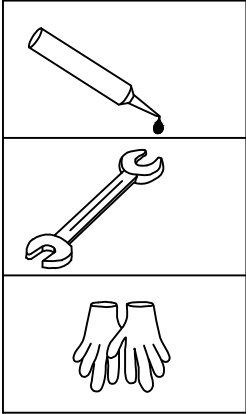
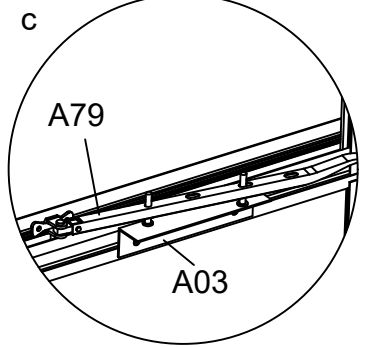
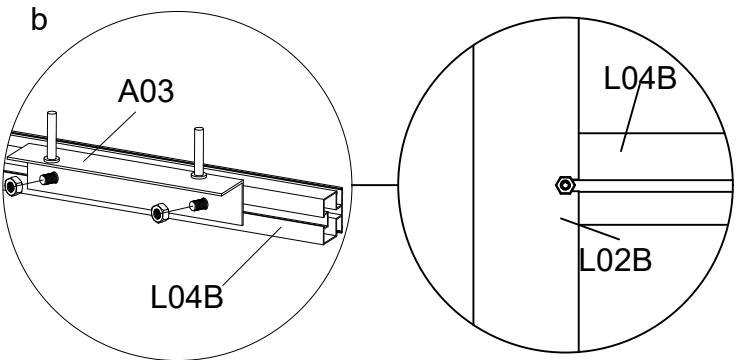
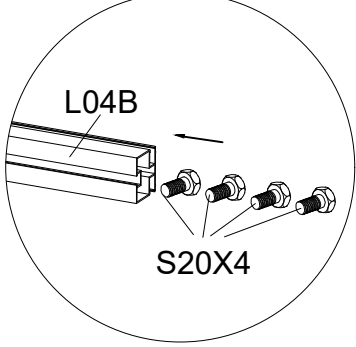


Top Assembly

PART	NO	QTY
	L04B	2
	A03	2
	WINDOW1	2
	Y9	2
	S20	12
	M5X10	
	M08	12
	M5	



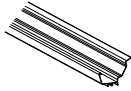


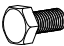



Slide 2 bolts (S20) into each L11A, and bolt it to L02B, using the S20 & M08.

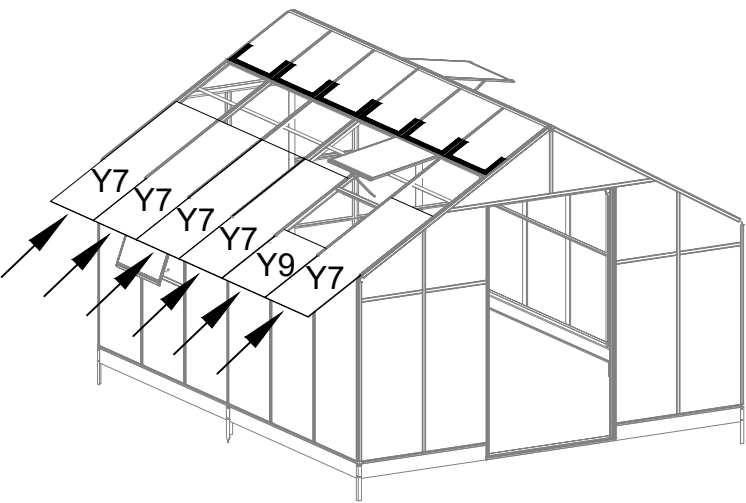


When installing L04B, the window needs to be lifted up to avoid the window not opening after the installation is complete

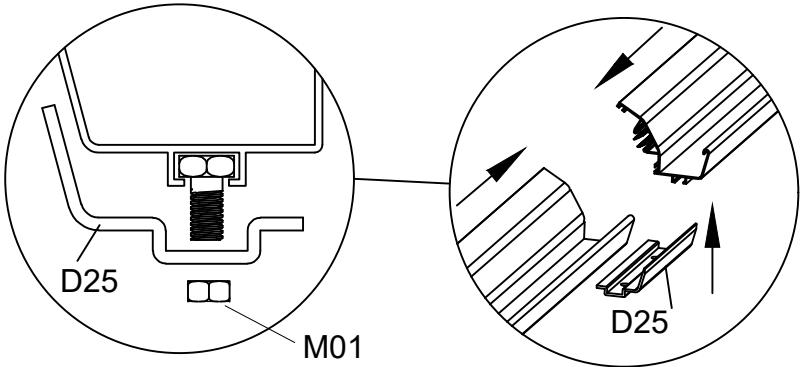
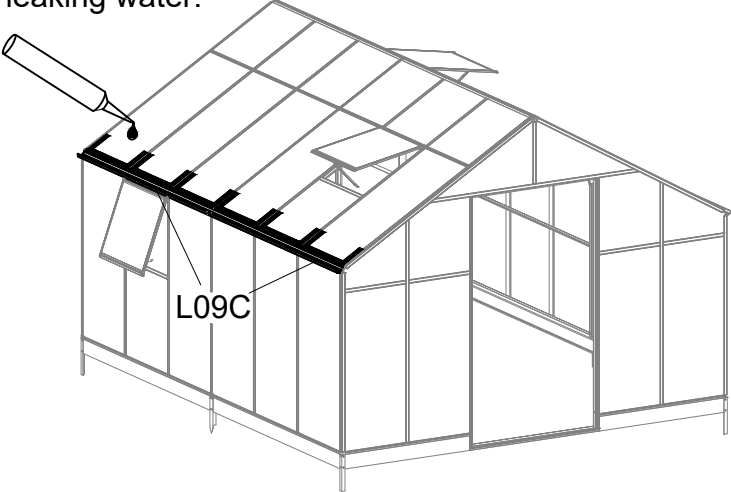
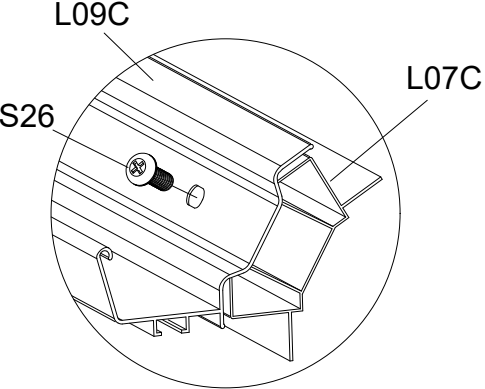
Before fixing A03, first close the window. Adjust the position of A03 according to A79 on the window, so that the window can be securely closed, and then fix S01 and M01 on A03.

Top Assembly

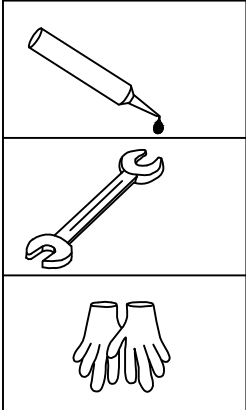
PART	NO	QTY
	L09C	4
	D25	2
	S26 M5X12	26
	S01 M6X12	4
	M01 M6	4
	Y7	10
	Y9	2








After the panels and windows are in position, put some silicone sealant around to avoid leaking water.

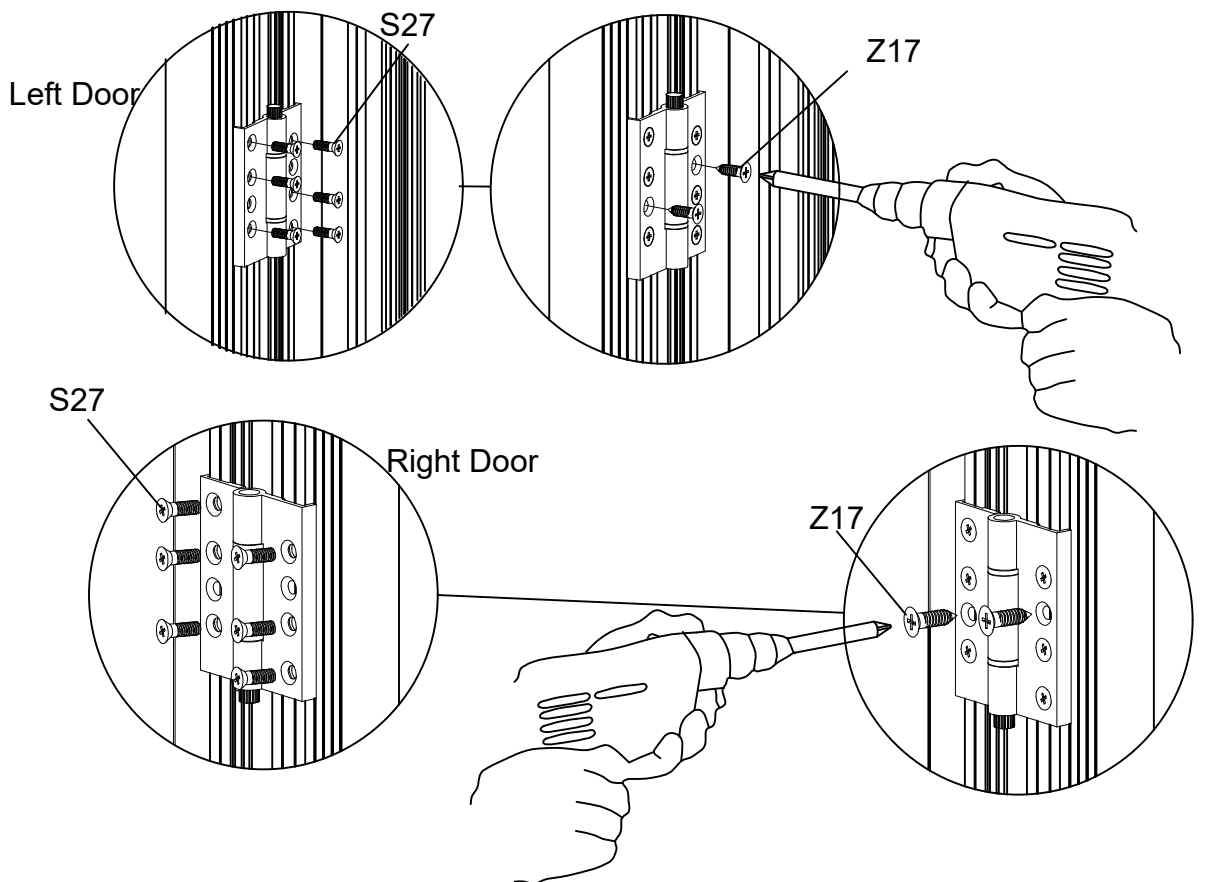
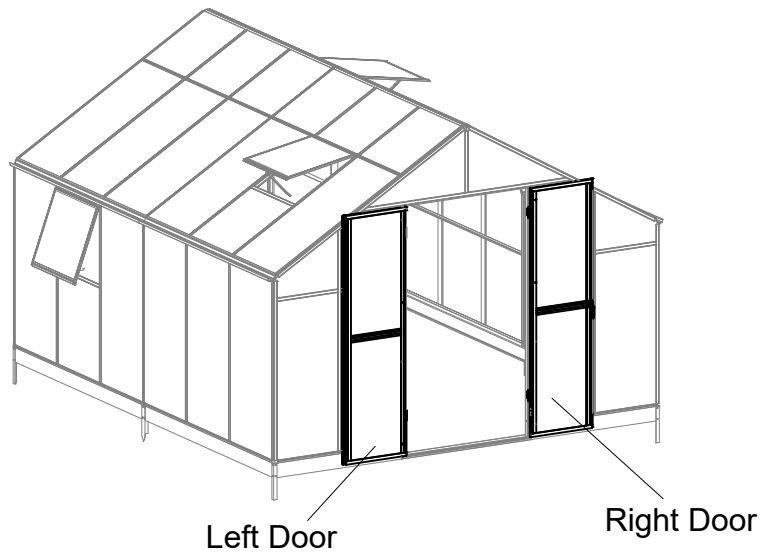


Slide 1*S01 into the bolt channel of both L09C, fix D25 to L09C using S01 & M01

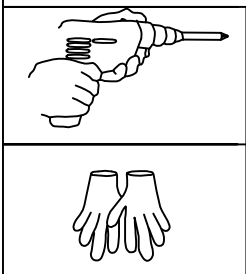











PART	NO	QTY
	D00R-L	1
	D00R-R	1
	A51	4
	Z17	8
	M4.8X16	
	S27	24
	M5X12	

Door Assembly

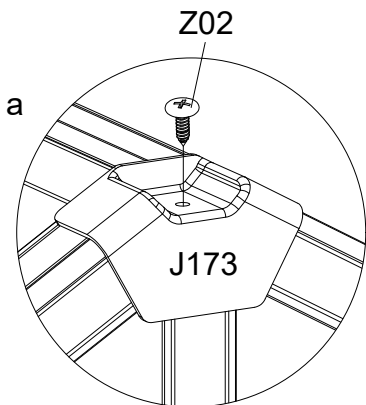
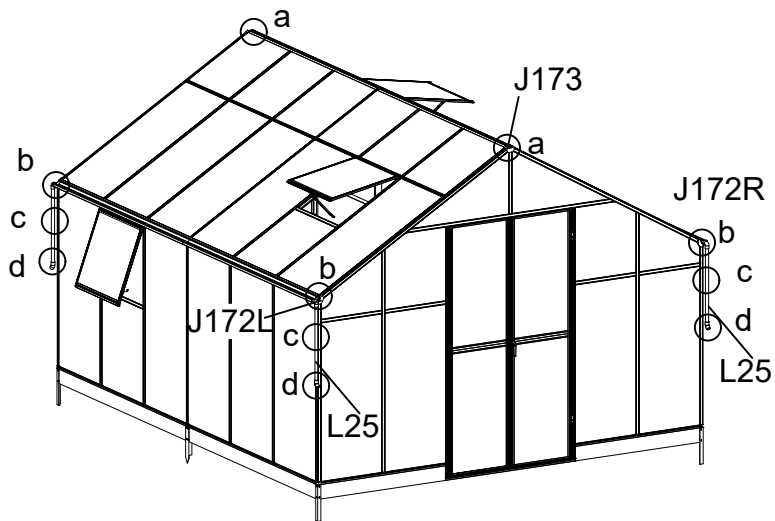


Fix A51(4 PCS) one side on the door profile and the other side to L02E/L02F using S27. Then secure with Z17.

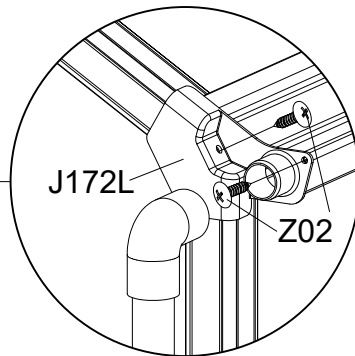
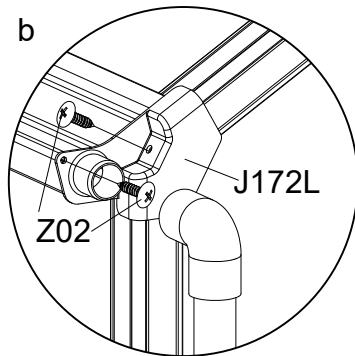


PART	NO	QTY
	J172R	2
	J172L	2
	J173	2
	J94	4
	L25	4
	J93	4
	J166	4
	Z08 M4.2X16	4
	Z02 Ø4X16D	10

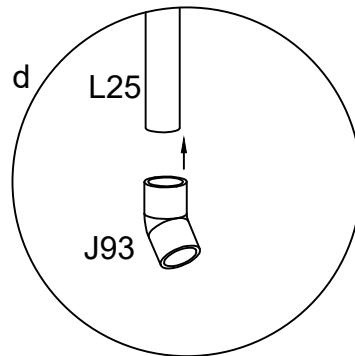
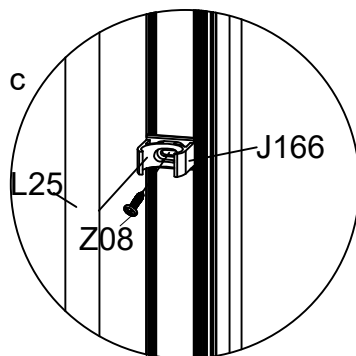
Accessories Assembly



Fix the cover caps J173 into the ridge profile

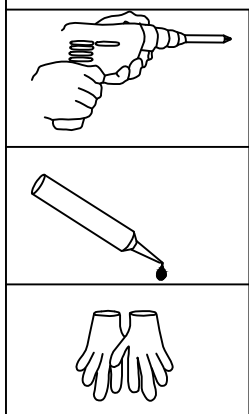



Fix the cover caps (J172L/R) carefully with Z02. Be careful to ensure that the screws are driven in straight and in the correct position (see detail drawings).

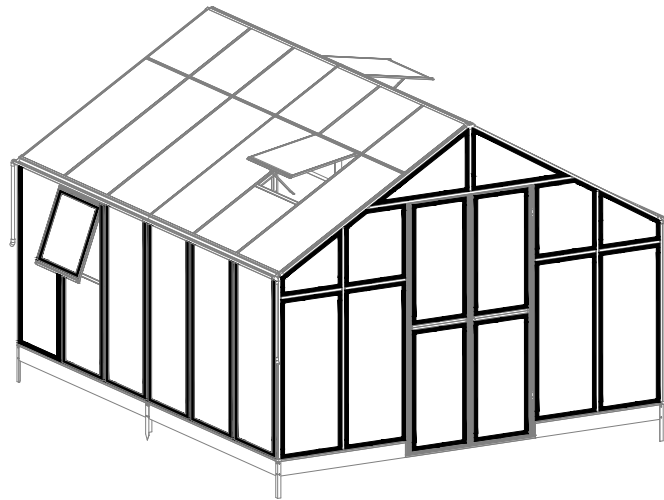


Drill a hole in L01A/L01B, approximately 3mm diameter and 400mm down from the gutter. Fix the J166 downpipe bracket with Z08 screws and then clip the L25 downpipe into the J166 bracket.

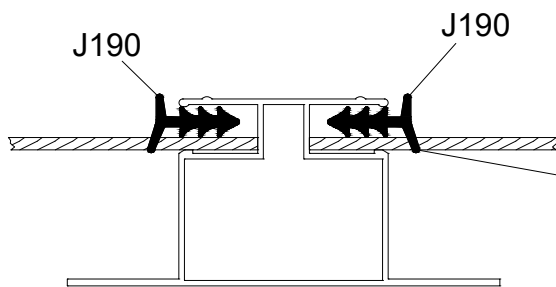
If you wish to eliminate leaks, use glue when fixing the downpipe bends (not provided).



PART	NO	QTY
	J190	132M



During the installation of resistant boards, it is necessary to install block gine J190



Attention! Coating the long edge of J190 and resistant boards

