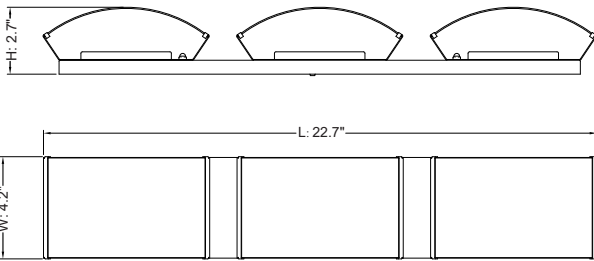


# 3-Light LED Vanity Light



- Brushed nickel finish
- Integrated LED chips
- 4000K cool white lighting
- High brightness: 2250LM
- LED lifespan 50000+
- Dimmable
- ETL listed



**VLTLLED2303-BN**

Model

**L:22.7"x W:4.2"x H:2.7"**

Size(inch)

**30W**

Watts

**120V**

Voltage

**80**

CRI

Technical support available at [Monica@wayspride.com](mailto:Monica@wayspride.com).

## LIMITED ONE YEAR WARRANTY

If within one(1) year from the date of purchase, the product fails due to a defect in material or workmanship, WaysPride LLC(Genesis Lighting) will repair or replace it free of charge.

WaysPride LLC will not be liable for incidental or consequential damages to purchases, or any other party.

For any loss, damage, injury or expense of any kind or nature caused directly or indirectly by the product or the failure of the product to operate properly.

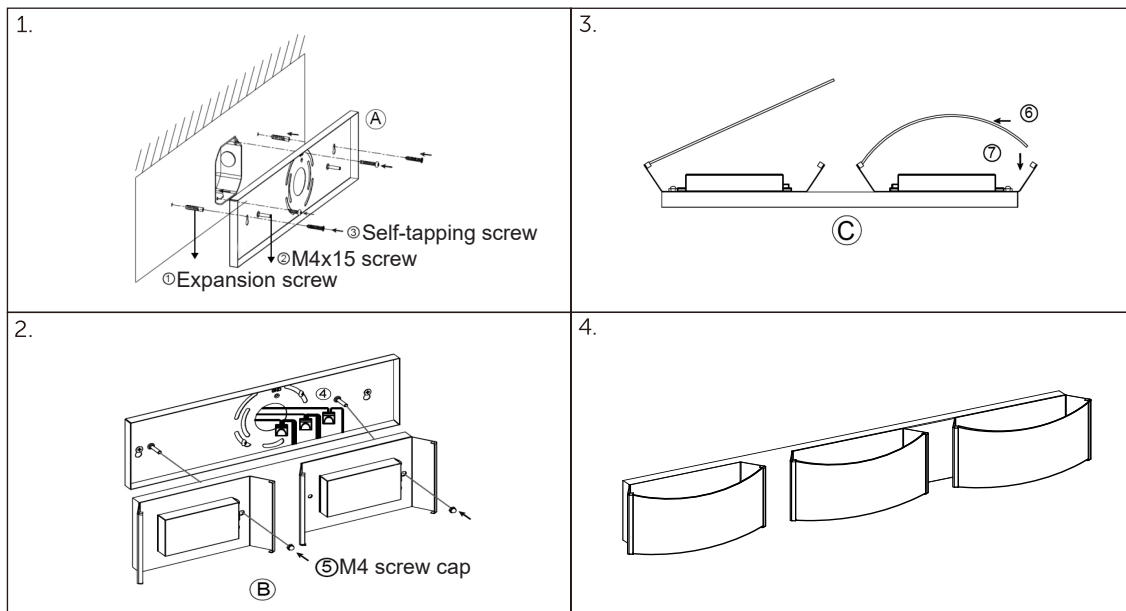
Warranty service is available by mailing postage prepaid to WaysPride LLC.

730 Dawson DR KH0158, Newark, Delaware, 19713 USA.

A valid copy of original invoice and return merchandise authorization ( or RMA) are required for all warranty services.

## INSTALLATION STEP:

1. Drill 2 holes in the wall and insert the expansion screws.
2. Insert both 2 M4x15 screws into the corresponding holes on the back of mounting bracket.
3. Insert both self-tapping screws into the corresponding holes on the front of mounting bracket (A). Screw the self-tapping screw onto the expansion screws.
4. Connect the light's white wire to the supply circuit's white (neutral) wire and screw down a wire nut. Connect the light's black wire to the supply circuit's black (live) wire and screw down a wire nut. Connect the light's green wire to the supply circuit's ground wire and screw down a wire nut.
5. Insert the light fixture base (B) on the fixed mounting bracket (A) Add the M4 screw caps on both M4x15 screws and tighten them.
6. Insert one side of the acrylic lens into the slot.
7. Then bend the lens gently. Insert the other end into the slot. \* Once assembly is complete, switch on power to confirm the LED light is properly installed.



## WARNING

**RISK OF PERSONAL INJURY-PLESAE READ THESE INSTRUCTIONS CAREFULLY.FOLLOW ALL INSTALLATION INSTRUCTIONS AND OBSERVE ALL WARNINGS.**

Make sure the "supply" voltage corresponds to the "rated" product voltage 120V 60HZ. Retain these instructions. Note: If you are an installer ,please give these instructions to the property owner for future reference.

**Risk of injury:** Always wear the necessary safety equipment to prevent injuries when opening, handling, installing and maintaining this product.

**Risk of Fire:** Always consult with a qualified electrician to ensure the correct branch circuit conductor is utilized.

**Risk of electrical shock:** This product must be installed in accordance with the applicable installation code by a professional familiar with the construction and operation of the product. The professional should also be aware of, and understand the hazards involved with the installation of this product.