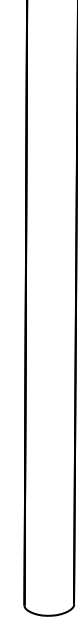
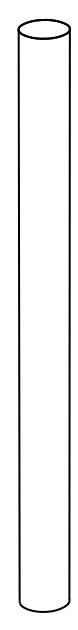


① light fixture
1PCS

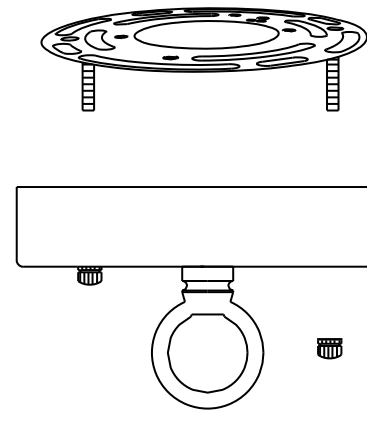
③ threaded rod 4PCS



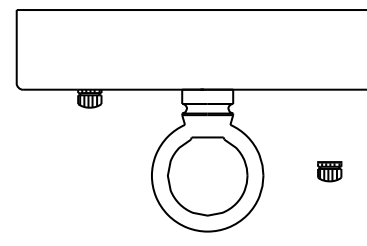
② long hanging tube
4PCS



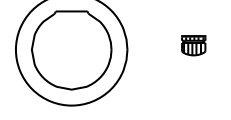
④ short hanging tube
1PCS



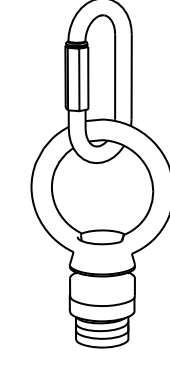
⑤ bracket 1PCS



⑥ canopy 1PCS



⑦ cap nut 2PCS



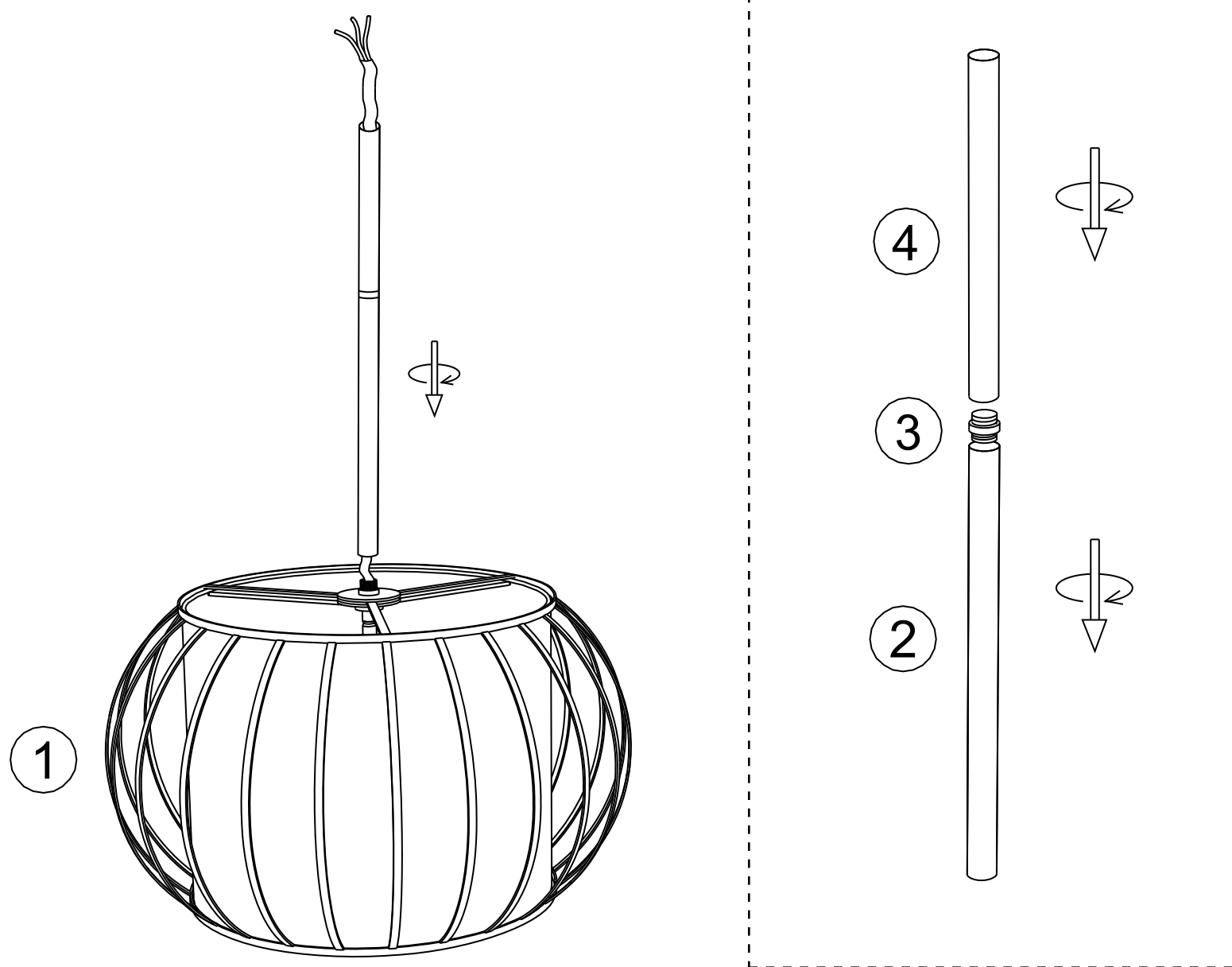
⑧ carabiner hook screw connection
1PCS

⑨ 2PCS

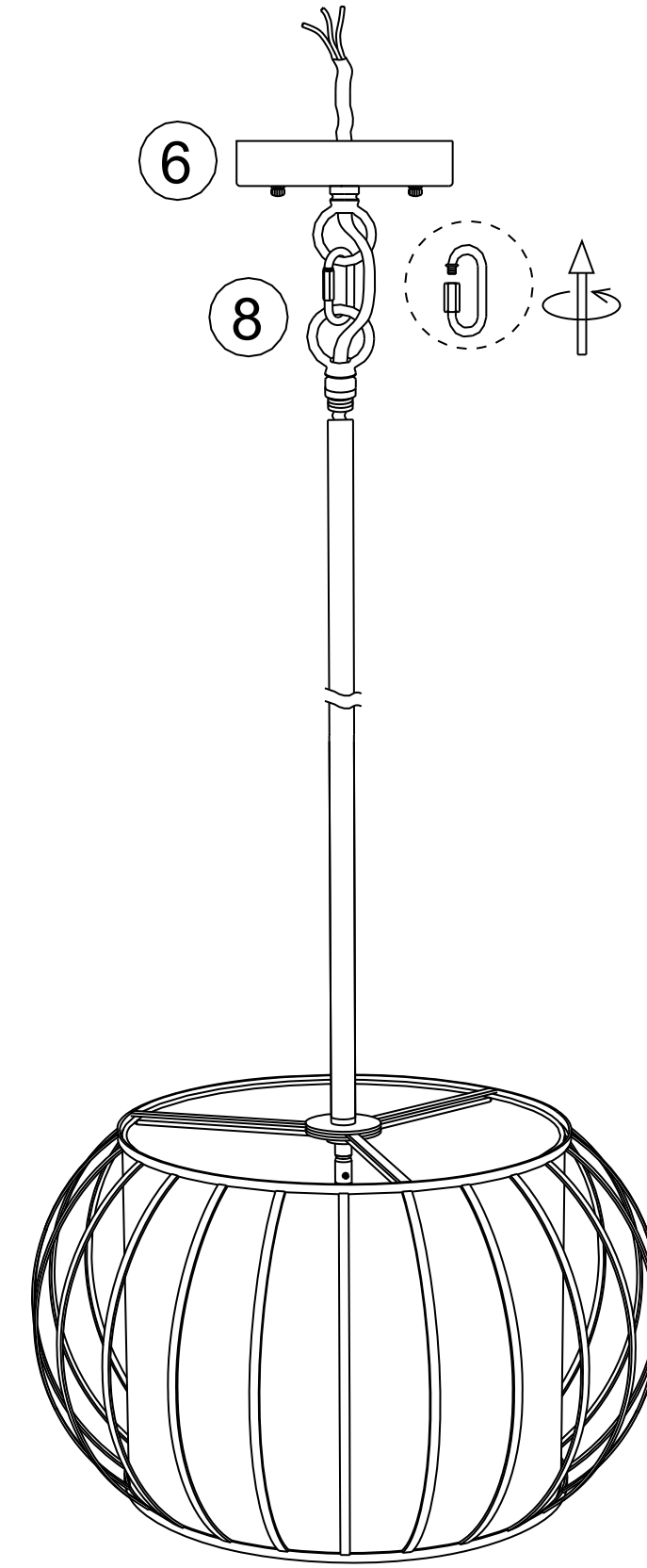
⑩ 3PCS

⑪ 3PCS

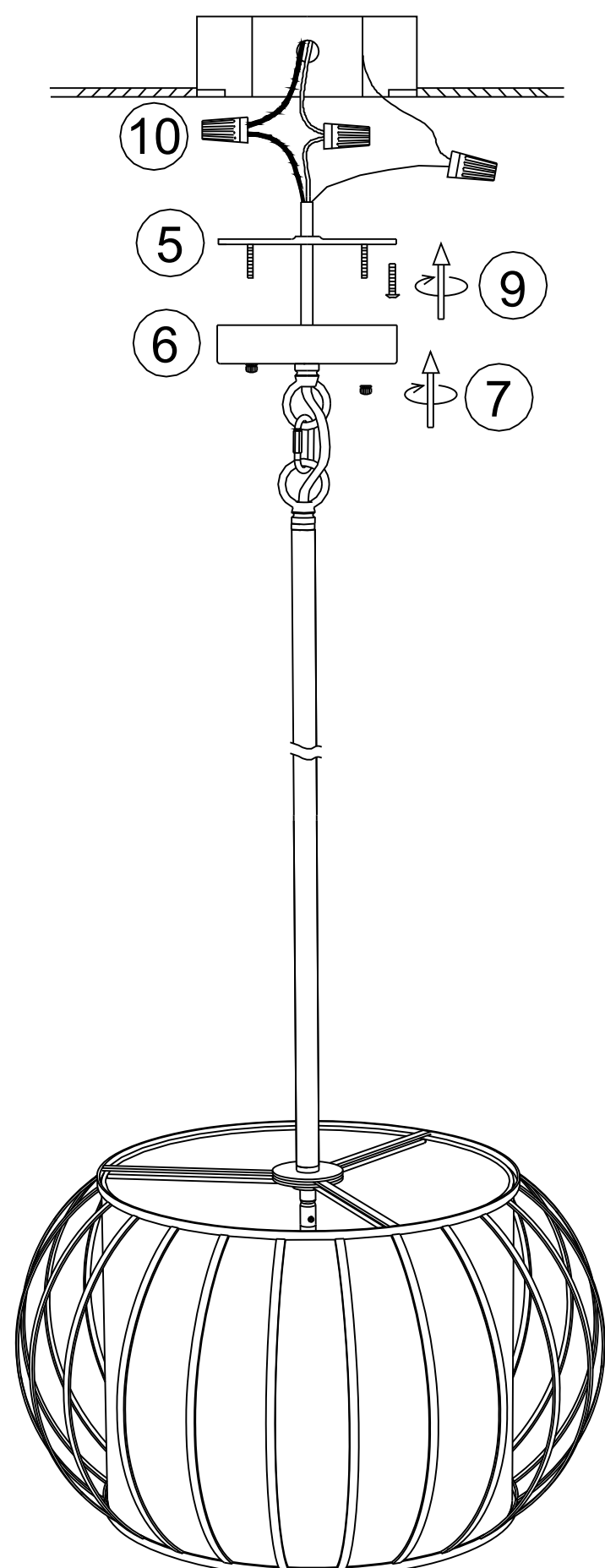
⑫ 3PCS



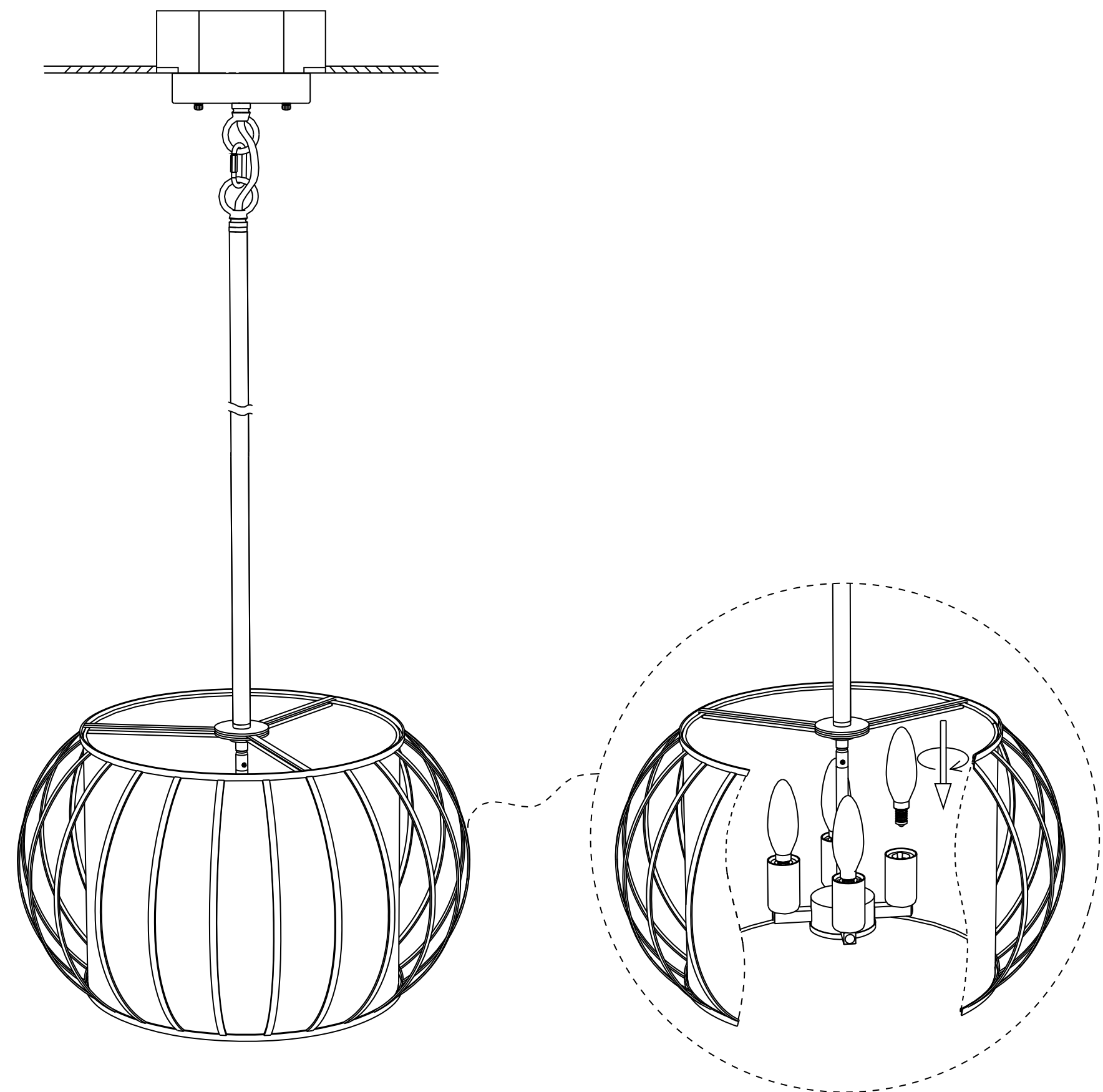
1. Let the wire of the fixture ① go through the tube ②, threaded rod ③ and tube ④, rotate to fix all parts to the fixture.



2. Hang the fixture to the canopy ⑥ with carabiner hook screw connection ⑧, let the wire go through the ring ⑧ and canopy ⑥.



3. Install the bracket to the ceiling junction box with screw ⑨.
4. Connect the wire to your home line with cap connectors ⑩.
5. Install the fixture to the bracket with cap nut ⑦.



6. Install the bulb. (bulb is not included in the package)

Please read carefully before installation!!!

Note : Please make sure that the electricity is powered off during installation !

Only a professional electrician should install this kind of product !