



Solid Plastic Seats Round

Eljer Emblem • Residential • Light-Duty Commercial

EMB 201



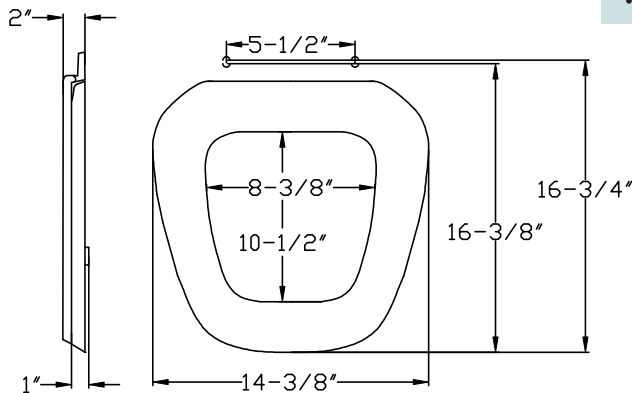
DETAILS

EMB201 Regular

Closed front with cover for regular bowl. Top-mount hinge.

Standard Features:

- Impact-absorbing hinges
- Extended back with concealed hinge
- Integrally-molded, permanent and sanitary color-keyed bumpers
- Corrosion-free hardware
- Withstands cleansers, strong chemicals



Dimensions shown are nominal and may vary within a range of tolerance.